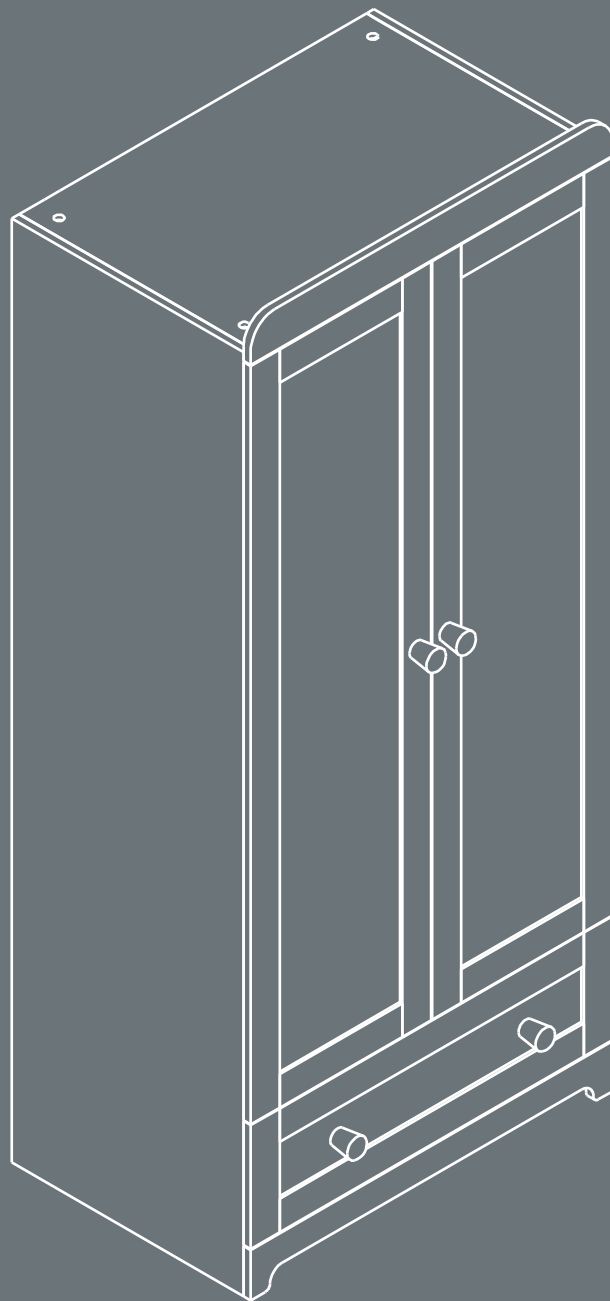


Rio

Wardrobe



Assembly Instructions

Conforms to BS EN 14749:2005

Tutti Frutti Direct Ltd. Unit 3, 1000 North Circular Road, London, UK, NW2 7JP

t: +44 (0) 208 368 5800

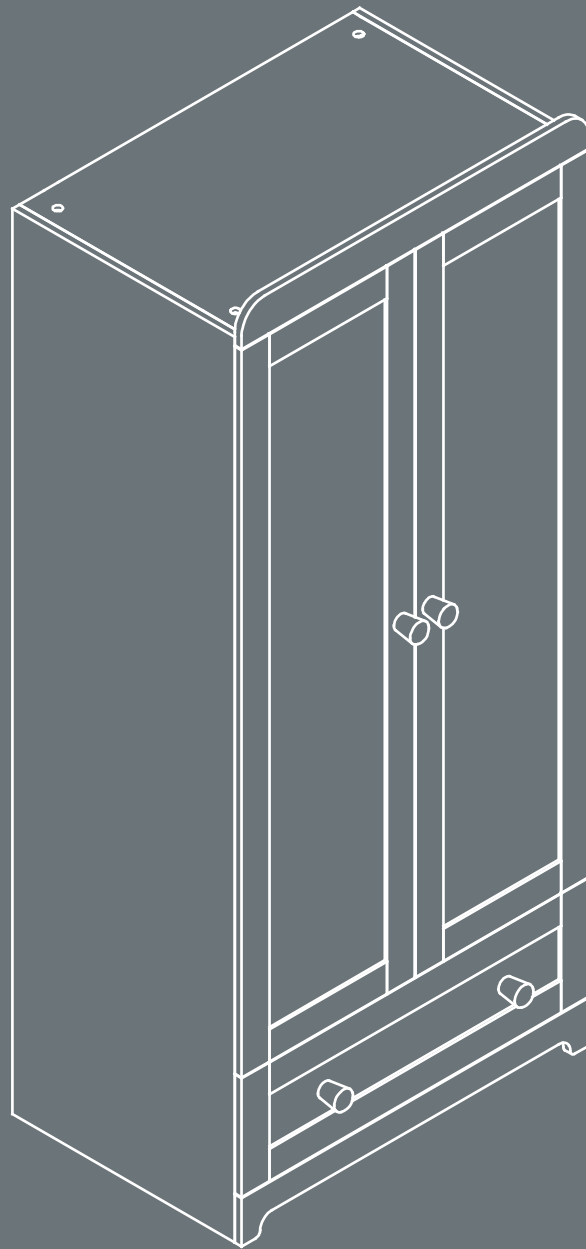
e: customerservice@tuttibambini.co.uk

www.tuttibambini.com

Rio

Wardrobe

211330



IMPORTANT: RETAIN FOR FUTURE REFERENCE.

READ CAREFULLY

Hello,

PLEASE READ THIS LEAFLET BEFORE ASSEMBLY

Dear Customer,

Thank you for buying Tutti Bambini furniture. Follow the instructions carefully and check that you have all the elements including the fittings before attempting assembly. If there are any missing or damaged parts, please inform us before you start the assembly. Please note that incorrect assembly of your furniture will not be a basis for a claim against the product being damaged.

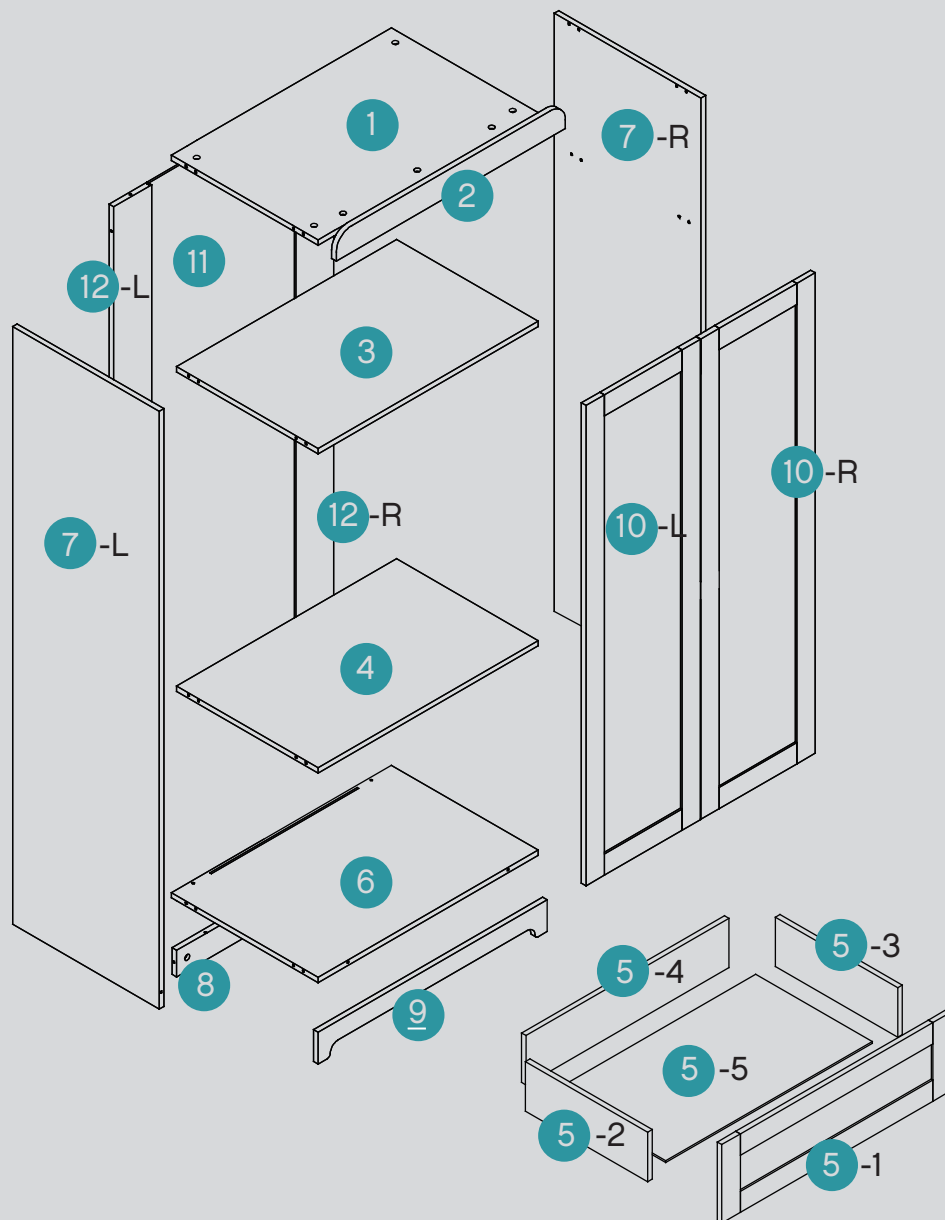
In the unlikely event that your furniture is found to be faulty, we ask that you send an email to: customerservice@tuttibambini.co.uk with the following information that can be found on the white label on the outside parcel.

- Name
- Postcode
- Contact telephone number
- Sales order number (found on white label)
 - Product name & colour
 - Damaged part number
- A photo or video of the damaged part


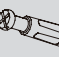


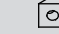
Tutti Bambini guarantee your product against faulty manufacture for a period of 12 months from date of receipt of purchase. This does not affect your statutory rights






Team Tutti





Parts List



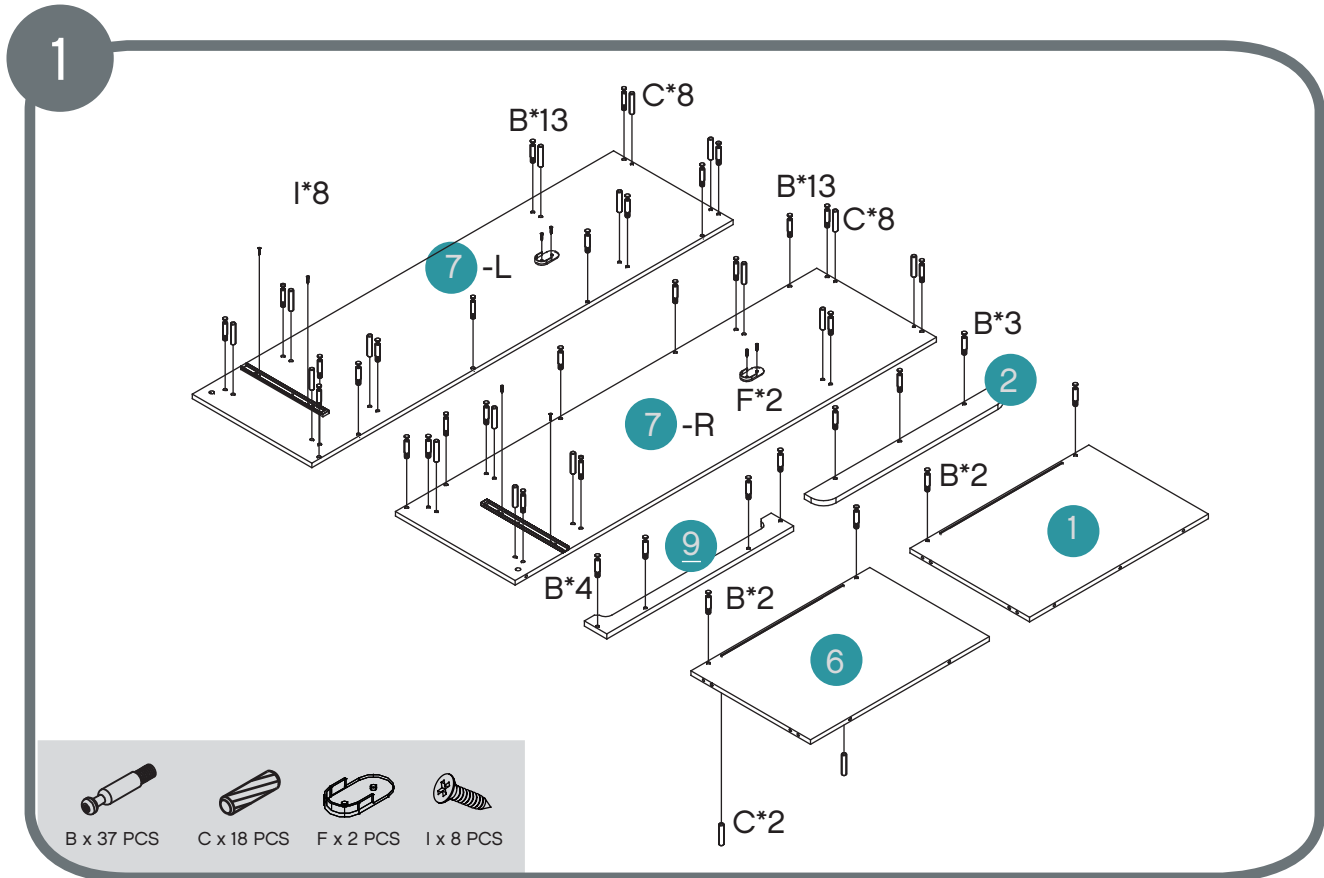
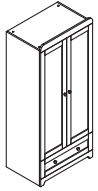
Hardware List

ID# A	 15x11.5mm	Qty 37 pc
ID# B	 6.5x40mm	Qty 37 pc
ID# C	 wooden dowel	Qty 18 pc
ID# D	 Hinge	Qty 6 pc
ID# E		Qty 8 pc

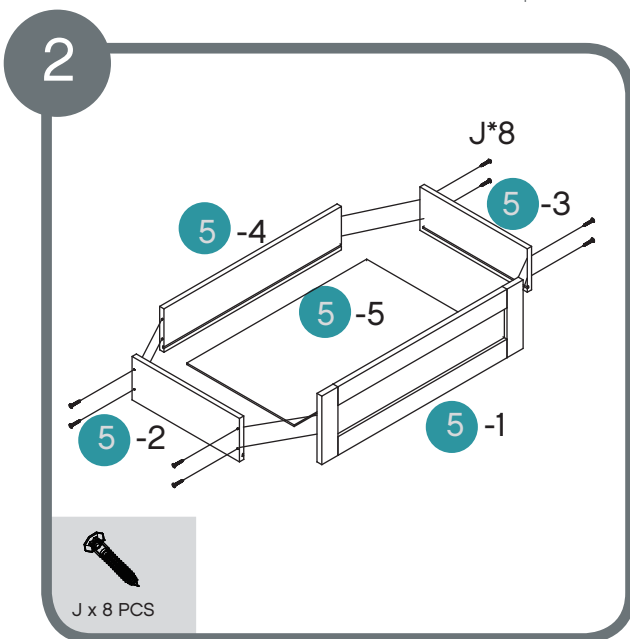
ID# F		Qty 2 pc
ID# G	 Ø4x20mm	Qty 2 pc
ID# H	 Ø4x30mm	Qty 2 pc
ID# I	 Ø3.5x14mm	Qty 58 pc
ID# J	 Ø3.5x35mm	Qty 8 pc

ID# K	 Handle	Qty 4 pc
ID# L		Qty 2 pc
ID# M		Qty 2 pc
ID# N	 M4x16mm	Qty 1 pc
ID# O	 200x30mm	Qty 1 pc

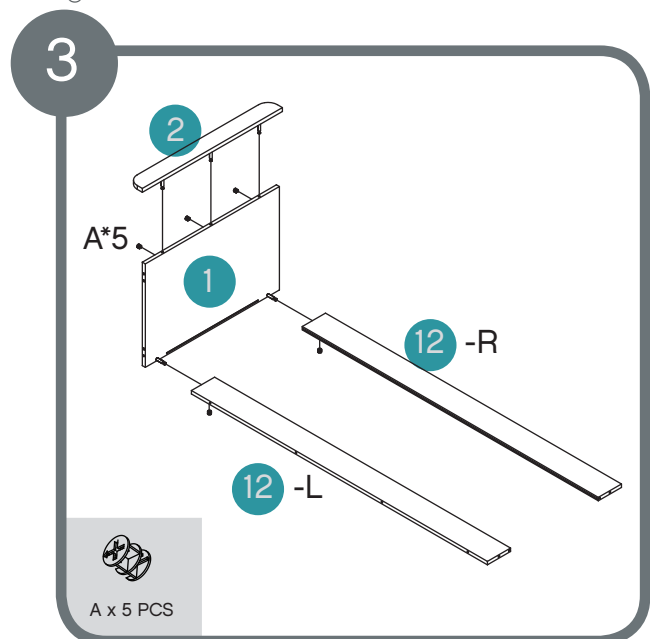
Assembling into wardrobe



Assemble pins Bx37 and dowels Cx18. Assemble hanging rail support Fx2 with I x 4. Assemble drawer runner Side panel 7L/7R using screws I x 4.

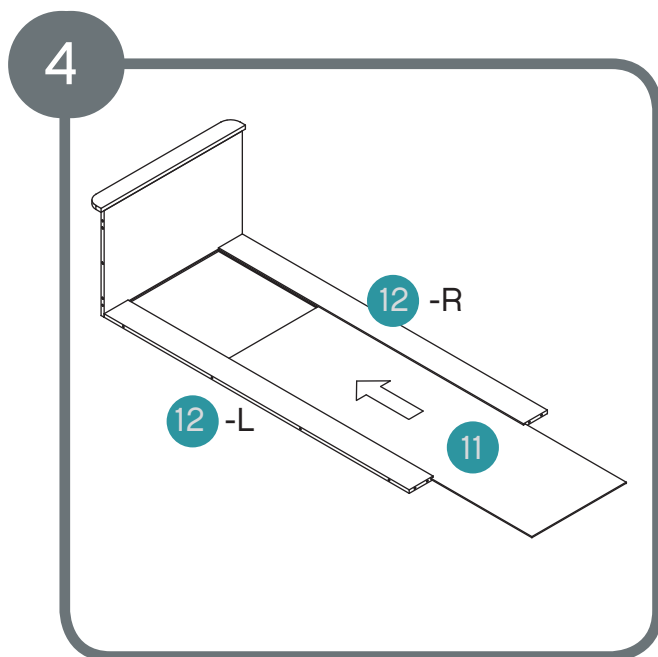
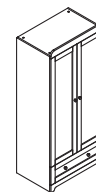


Assemble drawer parts with screws 8 x J.

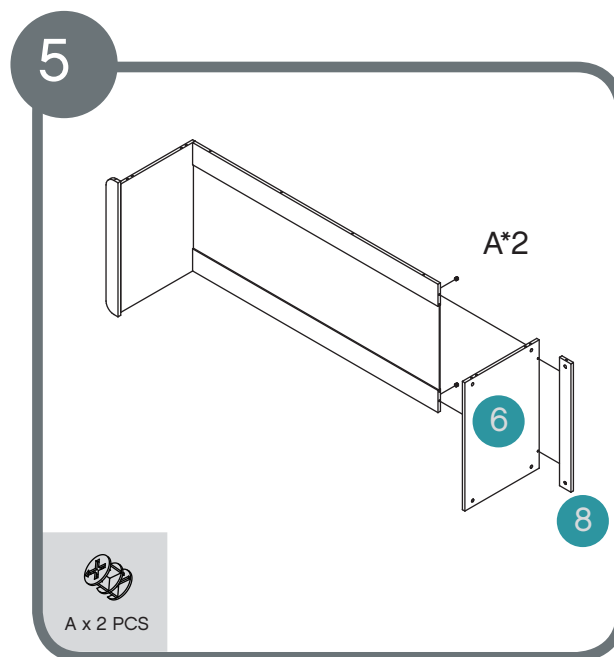


Assemble top rail and back frames with cams 5 x A.

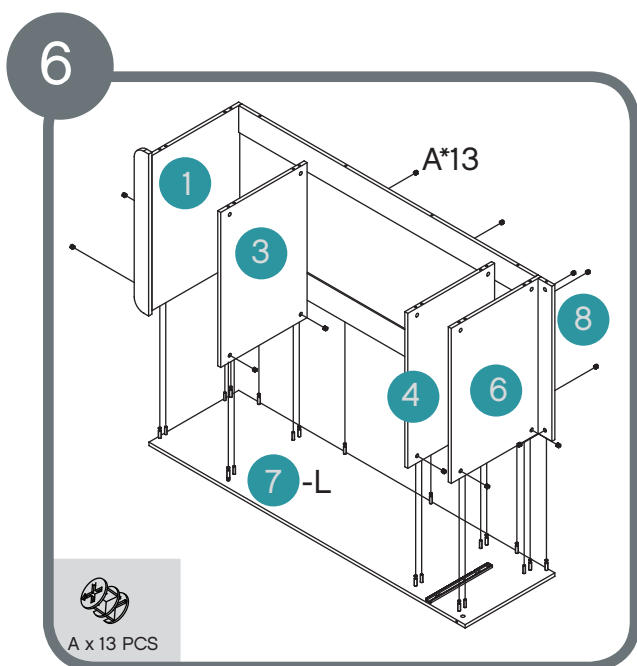
Assembling into wardrobe



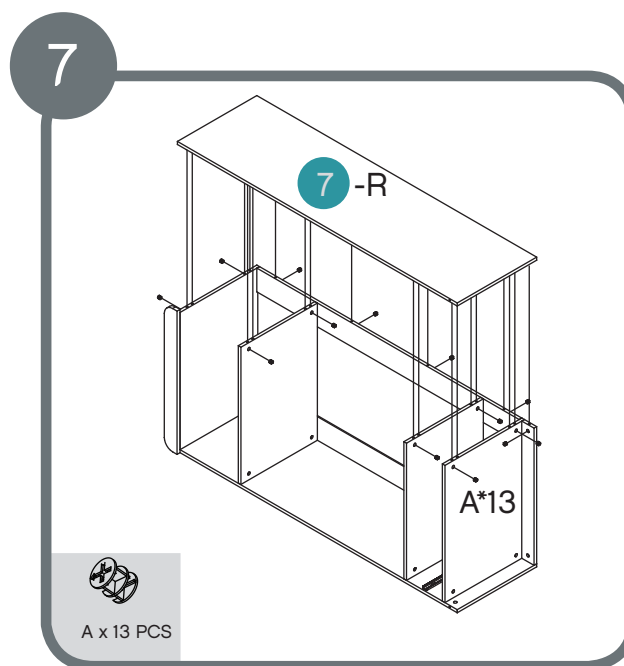
Insert back panel part 11 to back frame.



Assemble bottom panel part 6 using 2 x A.
Attach bottom rail part 8 to part 6.



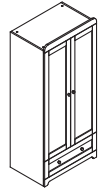
Assemble part 1, 3, 4, 6, 7, 8 to left side panel using cams 13 x A.



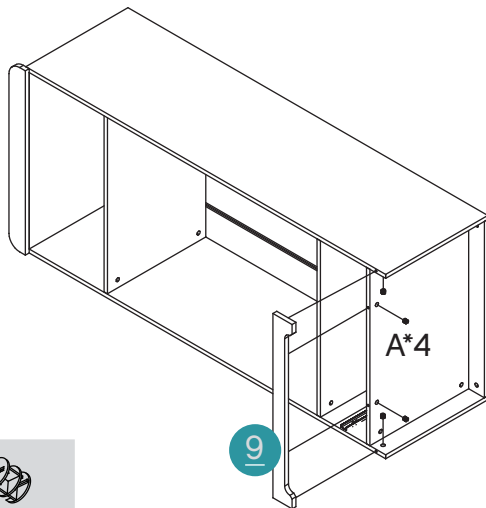
Assemble right side panel part 7R using cams 13 x A.



Assembling into wardrobe



8



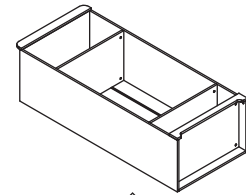
Assemble part 9 using cams 4 x A.

9

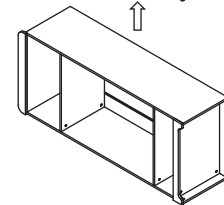
Step 9.3
With two people,
tilt wardrobe gently
to upright position



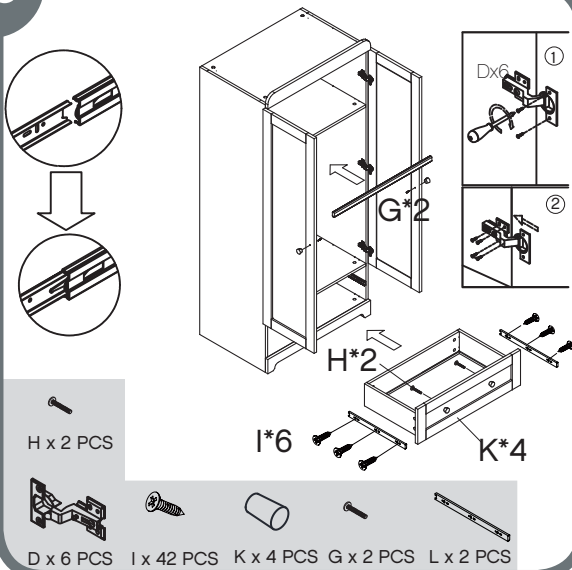
Step 9.2
Rotate the wardrobe
for 90° to lie down
on the floor



Step 9.1
Lock all the hardware



10



H x 2 PCS

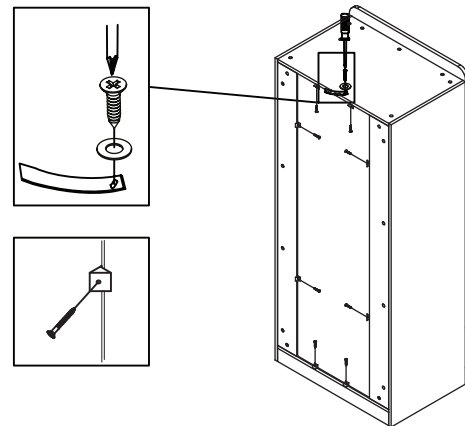
I*6

K*4

D x 6 PCS I x 42 PCS K x 4 PCS G x 2 PCS L x 2 PCS

Assemble door hinges D x 6 using I x 36.
Attach door handles K x 2 using G x 2.
Attach drawer handles K x 2 using H x 2.
Assemble hanging rail.
Assemble drawer runner L x 2 with I x 6,
and put drawer in the wardrobe.

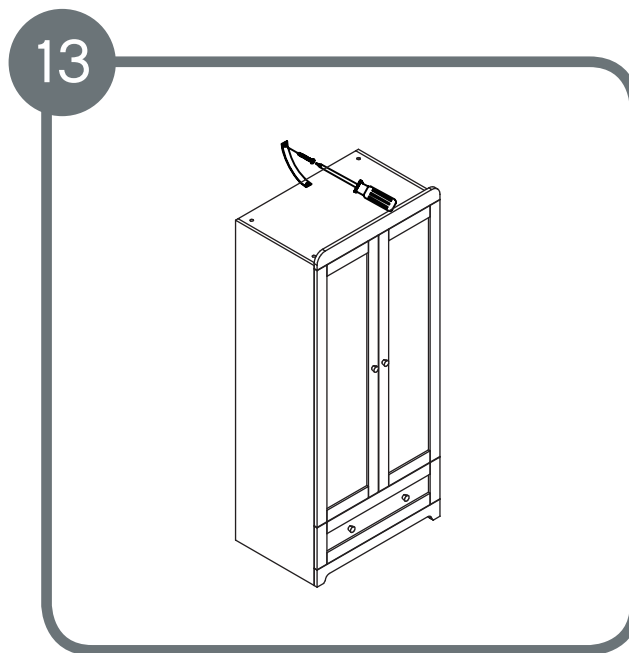
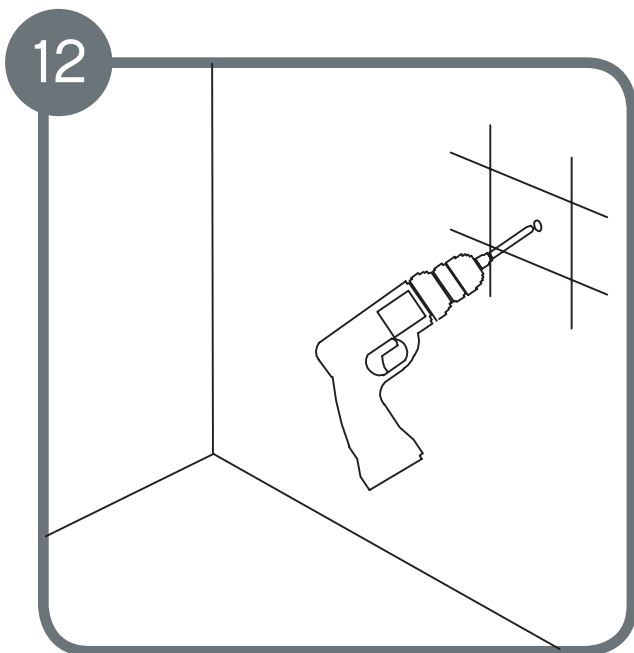
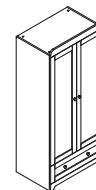
11



O x 1 PC M x 1 PC N x 1 PC E x 8 PC I x 8 PC

Assemble anti falling hardware M x 1, N x 1,
O x 1. Assemble back panel buckle E x 8
using I x 8.

Assembling into wardrobe



Fittings to attach the strap to the wall are not provided and suitable fittings for the wall type should be used.

Caution: The drawer is not provided with end stops that prevent it from being pulled out of the unit

Safety advice and maintenance

IMPORTANT! KEEP FOR FUTURE REFERENCE: READ CAREFULLY

1. WARNING: Never leave your child unattended. The safety of your child is your responsibility.
2. WARNING: Do not allow children to climb on or in the wardrobe..
3. WARNING: Make sure the wardrobe is situated on a clear firm and level surface.
4. WARNING: Do not use the wardrobe if it is damaged or broken or there are parts missing.
Use only spare parts approved by Tutti Bambini.
5. WARNING: Do not place the wardrobe in or near the vicinity of open fires or other surfaces of strong heat, such as gas or electric fires.
6. The wardrobe can be cleaned with a clean damp cloth. Do not use aggressive cleaning agents such as bleach or strong detergents.
7. Check on a regular basis that all fittings and screws are correctly tightened and are not damaged. Loose screws can pinch parts of the body and clothing resulting in the risk of strangulation.
8. Do not twist or pivot the wardrobe, if the wardrobe is to be moved always lift with at least two people.

Product development dictates that components may occasionally differ from the ones shown in the diagrams of these instructions. The right to change the specifications and design of the furniture without prior notice remains with the manufacturer.

Guarantee

All our products are produced from the finest quality materials and are manufactured under the strictest quality controls. We guarantee all our products or parts thereof against faulty manufacture for a period of one year from date of purchase. This guarantee is not effective against accidental damage or damage caused by incorrect use or neglect. This does not affect your statutory rights.

Join Us



Follow us on Facebook
TuttiBambiniUK



Follow us on Twitter
TuttiBambiniUK



Follow us on Instagram
TuttiBambiniUK

TUTTI
bambini 

www.tuttibambini.com