

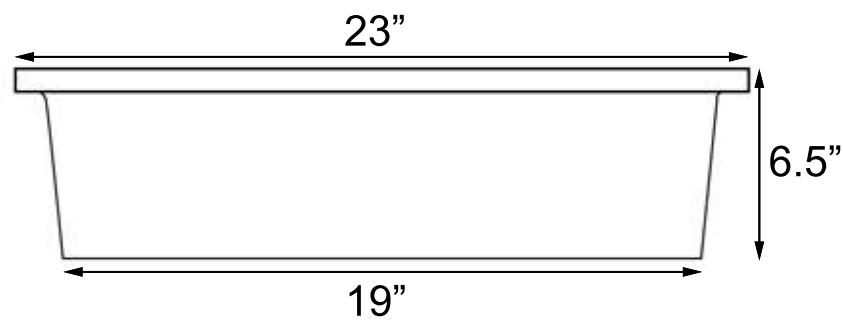
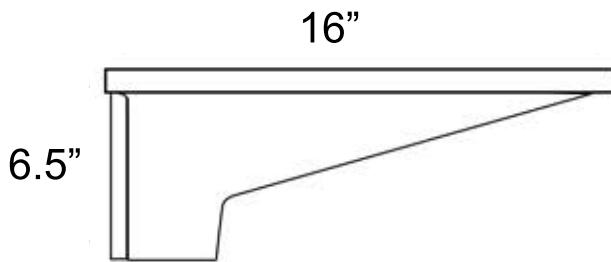
## Undermount Ramp Specifications

Material: Composite Stone

Color: Gloss White

Weight: 26 pounds

Handcrafted in Miami Lakes, FL



- Undermount ramp bowl in gloss white.
- Does not include an overflow.
- Undermount only.
- Flange made to fit commonly used undermount hardware. Undermount hardware is not included.
- One-piece construction.
- Does not include template. Opening should be made using product as a reference.
- This material is non-porous, meaning it is stain, mold and mildew resistant.



1-800-313-8329

Marble-Lite  
 9920 NW 79th Ave  
 Hialeah Gardens, FL 33016  
[www.marblelite.com](http://www.marblelite.com)