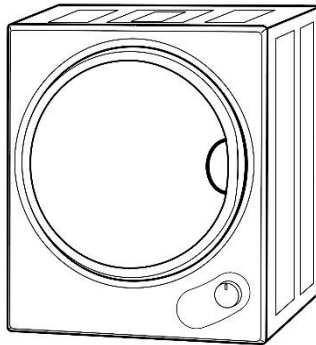




Russell Hobbs

2.5kg Vented Tumble Dryer

Instruction Manual



**Model number(s):
RH3VTD800(B)(S)**

**PLEASE RETAIN
FOR FUTURE REFERENCE**

Contents

Safety information	3 - 7
Before using your appliance	7
Product Overview	8 – 9
Timer Control Dial	10 - 11
Dryer Times Reference Table	10 - 11
Positioning	12
Floor Installation	13
Wall Installation	14 – 17
Vent Hose Installation	18
Operating instructions	19 - 21
Reversing the Door	21
Care and maintenance	22 - 24
Trouble shooting	25 - 26
Technical specification	27
Product fiche	27
Connection to mains supply	28
Guarantee	29
Notes	30 - 31

Safety instructions

Important note:

Please read this booklet before installing and switching on this appliance. The manufacturer assumes no responsibility for incorrect installation and usage as described in this booklet.

- **This appliance can be used by children aged from 8 years and above and persons with reduced physical, sensory or mental capabilities or lack of experience and knowledge if they have been given supervision or instruction concerning use of the appliance in a safe way and understand the hazards involved. Children shall not play with the appliance.**
- Do not use an extension lead for this appliance. Only plug directly into a wall socket.
- Do not plug in damaged plug sockets.
- In case the power cable becomes damaged, contact **0345 208 8750** for advice.
- Never pull the cable when unplugging – always grip the plug itself.
- Do not plug-in or pull-out the plug from the receptacle with wet hands to prevent electric shock.
- Never touch the machine with wet hands or feet.
- Never force the door to open when the appliance is running.
- In case of any breakdown, unplug the appliance first and then turn the tap off. Do not attempt to repair by yourself, always contact **0345 208 8750** for advice.
- Remember that packaging materials of your machine may be dangerous for children.
- Keep the packaging materials in a place where children cannot reach or dispose of them appropriately.
- Do not allow your children to play with the tumble dryer as it is an electrically driven appliance.
- Children of less than 3 years should be kept away unless continuously supervised.

Safety instructions

- Keep your pets away from your machine.
- Your machine should only be used by adults in line with the information provided in this user's manual.
- Your machine is designed to be used domestically. Commercial use will cause your warranty to be cancelled.
- Any tampering with the machine, except by a qualified engineer, in any way, will cause your warranty to be invalid.
- Ideal ambient temperature of your machine is 15-30°C.
- Do not place your machine on carpet as this will block ventilation of the base.
- Do not keep inflammable liquids near your machine.
- Your machine is not covered under warranty for faults caused by any kind of external factors (pesticides, fire, etc.).

To avoid fire, electrical shock and other accidents, please remember the following:

- To ensure your safety, an earthed power supply should be used.
- **Only** the voltage indicated in power label can be used. If you are not clear of the voltage at home, please contact your electricity supplier.
- Adequate ventilation must be provided around the tumble dryer.
- Exhaust air must not be discharged into a flue which is used for exhausting other fumes from appliances burning gas or other fuel.
- Please note it is not recommended that the dryer is placed directly next to ovens, cookers, or other heat sources as the performance of the dryer may be affected.
- A carpet must not obstruct the ventilation openings in the base of the dryer.
- Do not stack the tumble dryer on top of other appliances .

Safety instructions

- Under no circumstances should anything other than the recommended articles be placed in the tumble dryer.
- The tumble dryer should be serviced by an appointed service team with genuine parts. Please contact the service team below for assistance with any repairs.
- It is dangerous to alter or modify the product in any way other than fitting authorized accessories.
- We recommend that the appliance is unplugged each time after use. It should always be disconnected from the electricity supply when not in use for long periods of time.
- The rear of the dryer gets quite hot during use. Position the dryer so that the back is not accessible while in operation, but ensure that the sides have a space available to allow airflow. Use the hose to assist with the ventilation.
- The special mains cable and plug assembly must only be replaced with a genuine part from the manufacturer, please contact the customer support team below.
- It is important to clean fluff from the window of the dryer and around the door seal after each drying cycle.
- Do not install the appliance close to a fire or heat source.
- Do not rest anything burning, such as a candle, on the appliance.
- Do not install the appliance in a damp environment, the dampness may cause damage to the tumble dryer.
- Do not install the tumble dryer in direct sunlight, or in a hot environment.
- The tumble dryer is not to be used if industrial chemicals have been used for cleaning. Make sure items that may cause damage do not get in to the dryer, such as coins, safety pins, nails, screws, stones. Check the pockets on all the items of clothing.
- Any electrical work required to install the appliance should be carried out by a qualified person.

Safety instructions

- It is important to clean the lint filter after each drying cycle or the restrictions to airflow will extend drying times and could cause the safety cut-out to trip.
- Do not place items that have any type of oil soaked in to the fabric, in the tumble dryer. There is a potential the oil could catch on fire.
- Fabric softeners, or similar products, should be used as specified by the fabric softener instructions.
- Do not use the appliance to dry cushions, quilts, duvets, or similar items.
- The appliance must not be installed in a cabinet.
- The appliance must not be installed behind a lockable door, a sliding door or a door with a hinge on the opposite side to that of the tumble dryer, in such a way that a full opening of the tumble dryer door is restricted.
- Check the appliance is not standing or pressing on the power cable.
- Foam rubber, latex, shower caps, waterproof textiles, rubber backed articles and any other items with foam rubber pads should not be dried in the tumble dryer.
- Always unplug the appliance after use, clean and maintain.
- Do not overload the appliance.
- Do not place clothes that are dripping wet in the tumble dryer..
- Clothes that have been in contact with volatile liquids should not be machine dried. Any fluid should be fully removed from the item before it can be dried.
- Items that have been soiled with substances such as cooking oil, acetone, alcohol, petrol, kerosene, spot removers, turpentine, waxes and wax removers should be washed in hot water with an extra amount of detergent before being dried in the tumble dryer.
- Do not dry unwashed items in the tumble dryer.

Safety instructions

- The final part of a tumble drying cycle occurs without heat (cool down cycle) to ensure the items are not damaged. Do not stop the dryer before it has fully finished the drying cycle.
- Do not use excessive, or high pressure water when cleaning the tumble dryer.
- Oil-affected items can ignite spontaneously, especially when exposed to heat sources such as in a tumble dryer. The items become warm, causing an oxidation reaction in the oil. Oxidation creates heat. If the heat cannot escape, the items can become hot enough to catch fire. Piling, stacking or storing oil-affected items can prevent heat from escaping and so create a fire hazard.
- The appliance should not be overturned during normal use or maintenance.
- Remove all objects from pockets such as lighters and matches.
- **WARNING:** Never stop a tumble dryer before the end of the drying cycle unless all items are quickly removed and spread out so that the heat is dissipated.

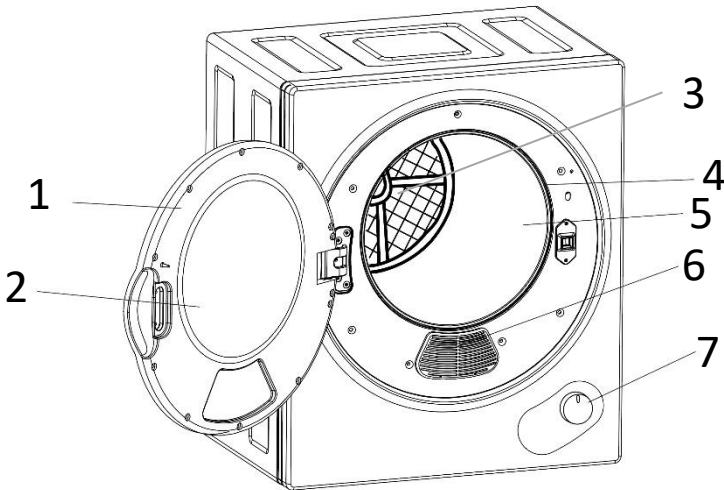
Before using your appliance

- **Before installation, check that all parts are present. If any parts are missing, please contact the customer service team on: 0345 208 8750.**

Product Overview

Note: The drawings in the book may vary from your dryer. They are designed to show the different features of all models covered by this book. Your model may not include all features.

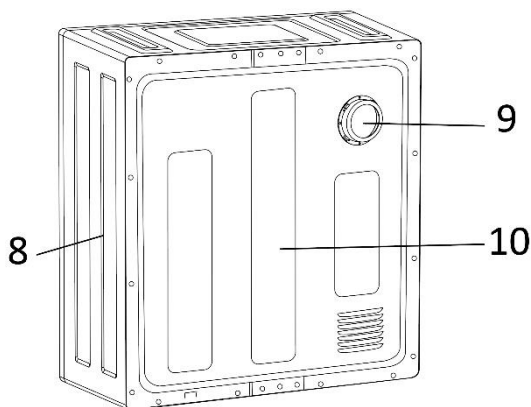
Front view



- | | |
|----------------------|----------------------------|
| 1. Door | 5. Drum |
| 2. Window | 6. Air intake cover/filter |
| 3. Lint/fluff filter | 7. Timer dial |
| 4. Door gasket | |

Product Overview

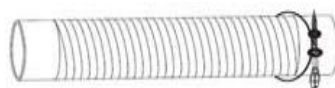
Rear view







11



12



13

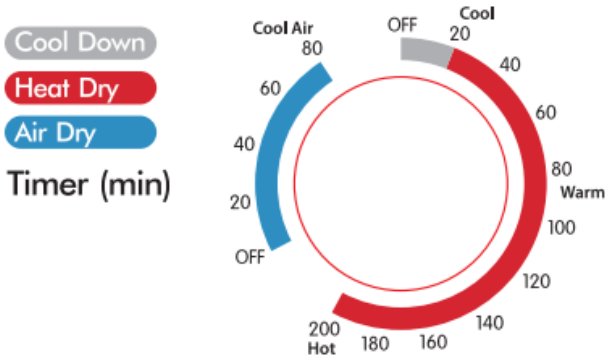
2 x Hanging bracket	
2 x Spacers	
4 x 4x12mm Screws	
4 x 6x25mm Screws	

- | | |
|-----------------|---------------------------------|
| 8. Casing | 11. Exhaust connector |
| 9. Exhaust vent | 12. Vent hose with jubilee clip |
| 10. Back cover | 13. Wall mounting kit |

Unit Parts & Spare Parts

Before installation, check that all parts detailed in the product overview are present. If any parts are missing, please contact the Customer Service team on **0345 208 8750** or visit us at mda.russellhobbs.com

Timer Control Dial



1. Off

When the 'Drying Timer' dial is in the 'OFF' position no power is supplied to the unit. As soon as the dial is turned clockwise to the desired program the dryer will start.

2. Cool (Off – 20mins)

This setting is generally used to cool the items that have just been dried. This helps to prevent creasing. Instead of the motor pushing heat or hot air into the drum of the dryer it will generate cool air and push it in to the drum.

3. Warm (20 – 120mins)

Warm drying setting: This function will dry and cool items and in most cases leave items wrinkle free (depending on material). We recommend setting the timer between 60-120 minutes.

To use as an Anti-crease setting for items that are difficult to iron: cotton shirts and linen for example. Set the drying timer dial between 30-60 minutes depending on the amount of items in the dryer. Once the timer stops (Including the Cool program) the items will still contain moisture, making the ironing process easier.

Timer Control Dial

4. Hot (120 – 200 mins)

For drying large quantities or bulky Items (the drum inside the dryer is more than 1/2 full). Set the timer for more than 120 minutes.

5. Air Dry (Off – 80mins)

This function runs with cool air, primarily to air items that require freshening: clothes that have been put away for a long period of time for example.

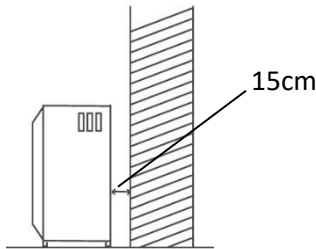
Dryer Times Reference Table

Drying times can be affected by many factors such as the wetness of the clothes (quick wash vs standard wash: quick washes leaves clothes heavier because they don't extract as much water from the clothes due to reduced spinning cycles & speeds), materials, bulkiness, load amount/weight, etc. Below is a guide as to what setting should be used, if longer is needed simply reset the dryer and run the drier again:

Drying capacity / load (kg)	Drying time (mins)
0.5kg (approximately)	30mins (approximately)
1.0kg (approximately)	60mins (approximately)
1.5kg (approximately)	120mins (approximately)
2.5kg (approximately)	200mins (approximately)

Positioning

For convenience, dryers are often positioned close to the washing machine, so the laundry can be easily transferred. The dryer should be placed in a ventilated area with at least a 15cm distance from the wall. It is recommended that there are no obstacles within 1.5m in front of dryer.



The dryer should be positioned away from heat and direct sunlight. If the dryer is not wall mounted, it must be placed on firm horizontal ground. Do not place the dryer on carpet as this will block the intake.

The tumble dryer will expel moist air, and it's recommended this is directed outside to avoid condensation accumulating inside a room. Position the vent hose supplied, through a window or an air outlet so that the moisture can escape. Contact a qualified tradesman to fit the vent hose so it exits through a wall or door. Exhaust of humid air from the dryer into a room may damage the walls and furniture in the room.

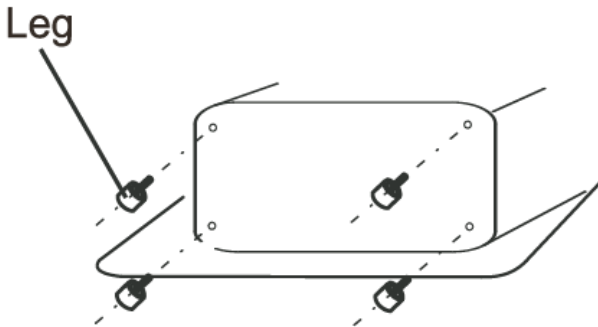
Install the tumble dryer so that the plug remains accessible after installation. Do not block any vents on the dryer, as this will impair the working of the machine. It should be placed on a firm level surface, as this helps keep noise and vibration to a minimum. There should be no movement from the dryer. Do not remove the feet from the dryer.

The hot air emitted from the tumble dryer can reach temperatures of 70°C, therefore, make sure the floor can handle these temperatures. The tumble dryer works best in a room between 15°C and 30°C.

Floor Installation

Note: This dryer can not be used upside down

- Do not place your appliance on a carpeted surface as this will prevent adequate ventilation and block the intake.
- This appliance should only be placed on a flat, firm surface.
- There should be at least a 15cm between the rear of the dryer and the wall.
- The dryer comes with fixed legs that are pre-assembled, to ensure stability.



Wall Installation

Note: This dryer is not suitable to be directly placed on top of a washing machine.





Note: The dryer hanging brackets have to be installed into timber studs or timber slats. Do not install into plasterboard.

Tools Required: Philip head screwdriver, drill and 3mm drill bit.

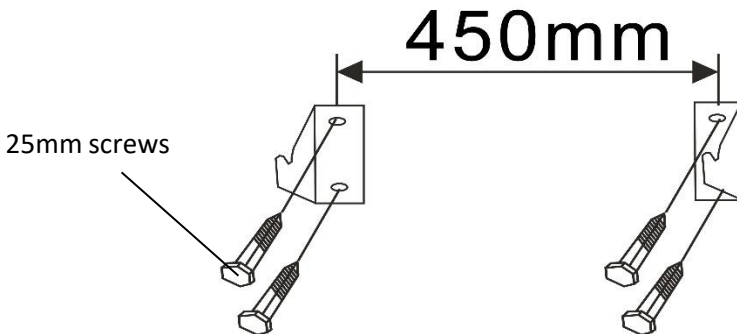
For your own safety, a minimum of 2 people should lift or hold this product.

Wall Mounting

1. Locate the wall mount kit, this will be packaged with the IB inside the drum of the appliance

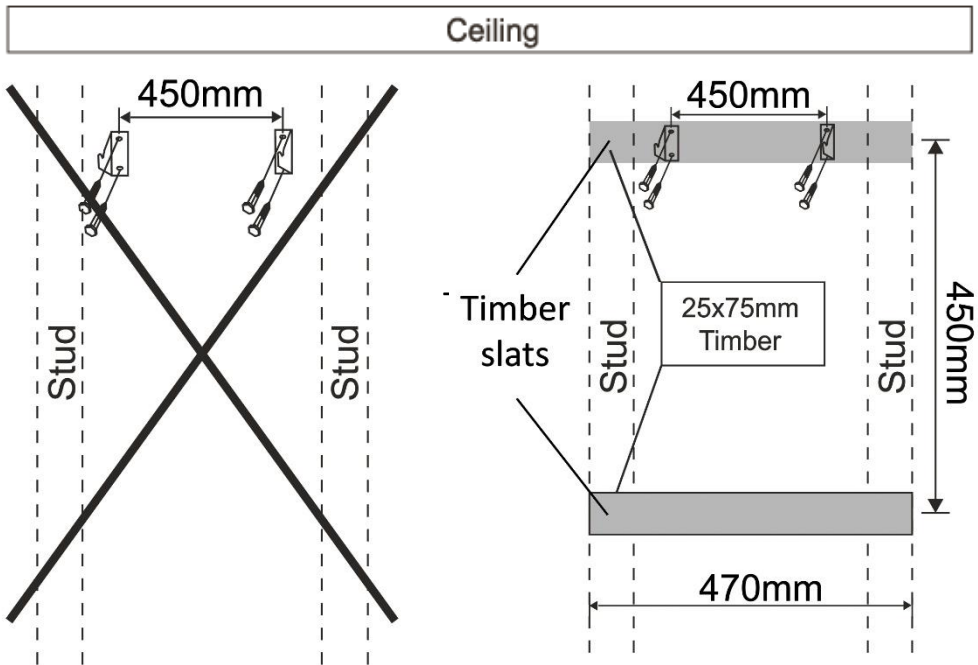
2 x Hanging bracket		4x 4x12mm Screws	
2 x Spacers		4x 6x25mm Screws	

2. Determine the position on wall that you want the dryer to be situated. Mark the required bracket position.
 - i. A minimum 50mm is needed between the top of the dryer and the ceiling for ease of installation.
 - ii. If mounting above a washing machine, allow sufficient room to open the lid of the washer (if needed)



Wall Installation

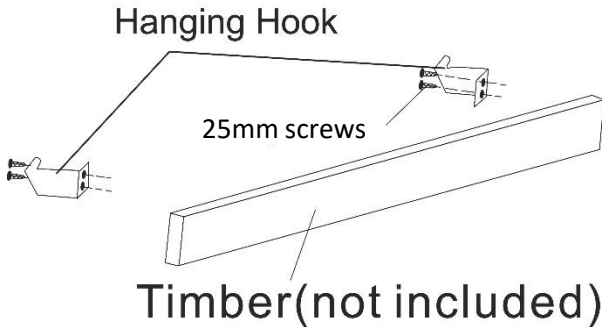
- To ensure the dryer is fixed securely to the wall and there is no danger of it falling from the wall or coming away from the wall. The wall hanging brackets have to be fixed into timber studs that are within the wall. These can be found by using a stud finder (not supplied). If there aren't timber studs in the location you want to fit the wall hanging brackets because the stud position is too narrow or too wide then you will have to fit timber slats between the studs to mount the brackets. Do not install into plasterboard.



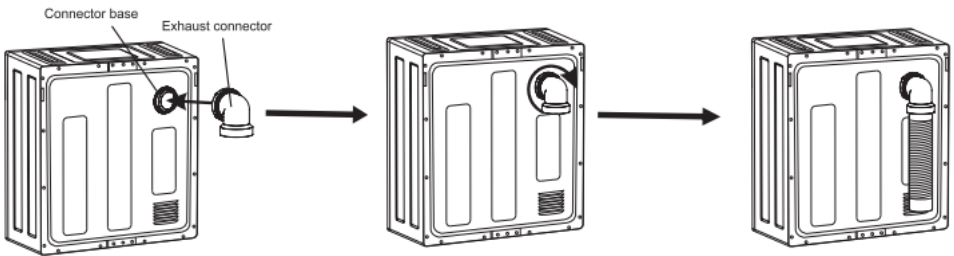
Ensure brackets are
securely fastened. Fit
Timber slats if necessary

Wall Installation

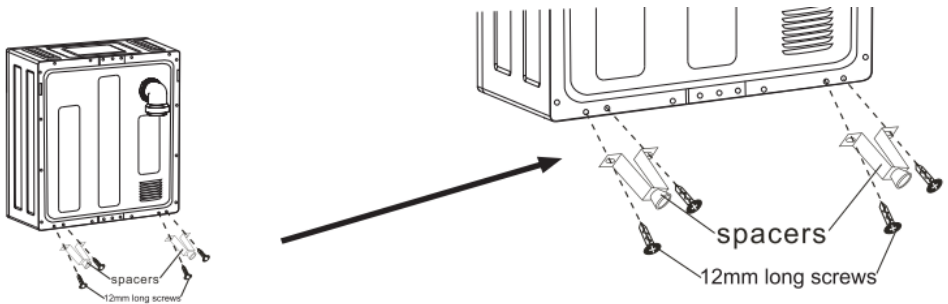
4. Install and fix the hanging hooks to the timber studs or timber slats (ensuring the hooks are aligned) with the 6 x 25mm screws.



5. Install or adjust the exhaust connector direction by turning the exhaust connector clockwise, until it inserts into the connector's groove.

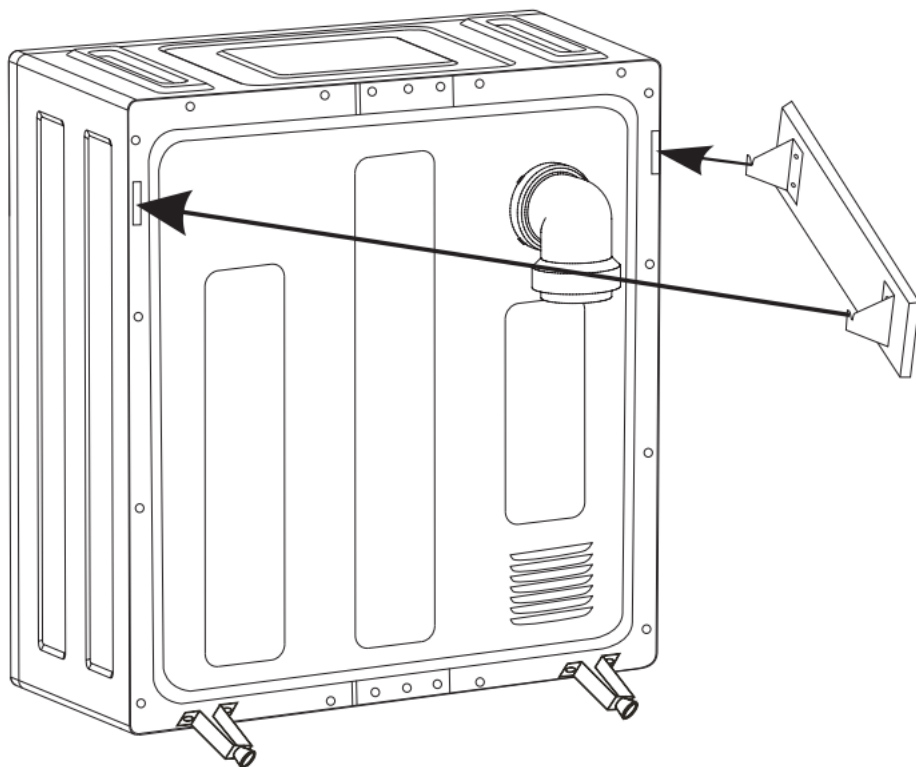


6. Using 4 x 12mm screws provided, fix the 2 spacers to the rear of the appliance.



Wall Installation

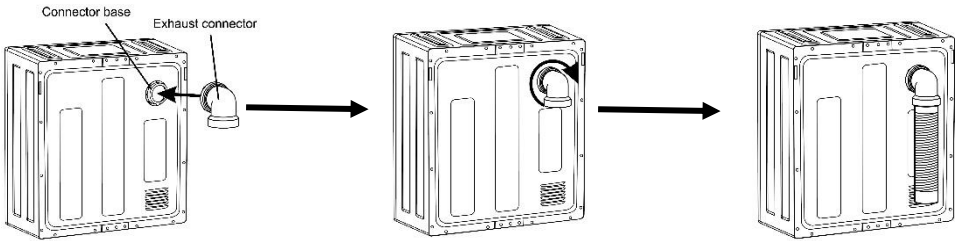
7. With assistance, mount the dryer on to the wall bracket.



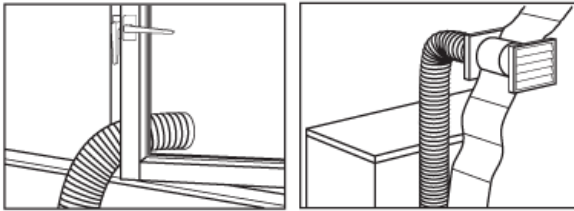
Vent Hose Installation

Fitting the vent hose

One edge of the exhaust connector has a thread, this edge is to be aligned with the vent on the back of the appliance. When aligned, push and twist the end of the exhaust connector in a clockwise direction until the exhaust connector is attached securely. You can then push the vent hose into the exhaust connector and secure it using the jubilee clip that is supplied.



The air outlet hose must be extended directly to the outdoors.



Do not allow more than two bends in the hose and end of the hose should not be bent, stepped on or folded between the drain and the machine. Moisture may accumulate in the hose, it may be useful to drill a small hole at a low point to allow the moisture to escape.

Operating Instructions

IMPORTANT NOTE - If you are drying laundry that weighs less than 0.8kg (small loads) when wet, then select the Time function to dry clothes (minimum of 1 hour should be set).

Remove all the packaging material, including any material inside the drum. Before using the appliance for the first time, it is advised to place two damp clothing articles inside the drum and dry them for 1 hour. There may be some dust in the drum of the tumble dryer, and this will help remove the dust.

Step 1 - Open the door and place the laundry in the drum, one item at a time. Lightly shake and loosen the clothing to prevent it getting tangled.

Important note: Do not overload your dryer. The following table lists some common items and their approximate weight when wet, consider this when loading the dryer. Do not overload.

Quilt cover	700g	Shirt	600g
Sheet	500g	T-shirt	200g
Pillow case	200g	Blouse	100g
tablecloth	250g	Bathrobe	1200g
Napkin	100g	Night gown	200g
Bath towel	1200g	Pyjamas	500g
Tea towel	100g	Underwear	100g

Step 2 - Close the door, ensuring no items are trapped in the door.

Step 3 – Turn the timer dial to the required time/setting and the dryer will start its cycle.

Operating Instructions





To change a timer/setting that has already started, simply turn the dial to the required time/setting. If the door is opened during a cycle the dryer will stop. To restart, close the door.

When drying large items such as sheets, we suggest you periodically stop the dryer to redistribute the load.

There is an automatic cool down period at the end of every cycle, during which the heater is switched off. This helps to minimize creasing, and must always be used fully to avoid the risk of fire.

ALWAYS CLEAN THE FLUFF FILTER AFTER EACH USE. Failure to do so could cause the safety cut-out to operate.

- Never tumble dry the following; Delicate items such as net curtains, woollen items, silk items, items with metal trims, nylon tights, bulky items such as blankets, or sleeping bags, feather quilts and items containing or including rubber foam.
- Follow the instructions on the garment label;

	Tumble dry
	Normal dry
	Delicate drying
	Do Not tumble dry

- To prevent some items getting tangled, make sure zips, press studs, and hooks are closed, to try and prevent any tangling with other items.

Operating Instructions

- Do not over dry laundry, by not over drying it avoids creasing and saves energy.
- Avoid drying dark clothes with light coloured fluffy items, the fluff will be noticeable on the dark clothing.
- Make sure the laundry is thoroughly spun before tumble drying.

Reversing the Door

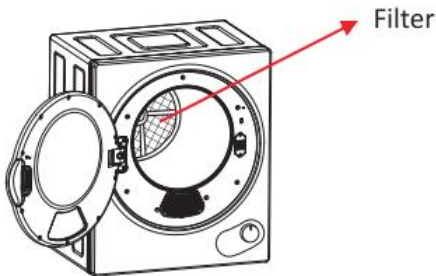
The door cannot be reversed

Care and maintenance

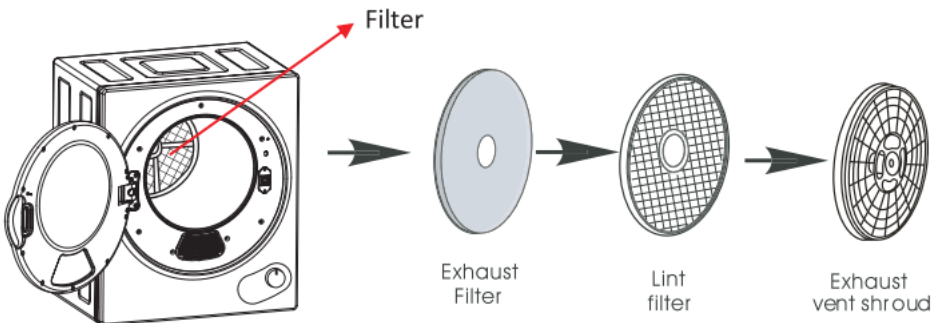
Cleaning the Lint Filter

Note:

- **ALWAYS CLEAN THE FILTER AFTER EACH USE.** Failure to do so could cause the safety cut-out to operate.
 - The lint filter must be in place whenever drying.
 - Unplug the power cord prior to any cleaning.
1. Open the appliance door and remove the filter that is inside at the rear of the drum.

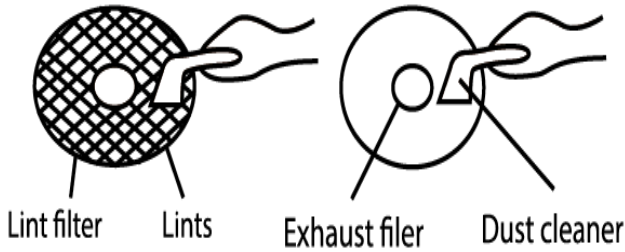


2. Remove the filter from the rear of the drum by pulling the filter outwards with your fingers inserted into the four holes around the exhaust vent shroud. The filter has 3 parts: Exhaust vent shroud, lint filter and exhaust filter. Pull the filter out of the appliance.

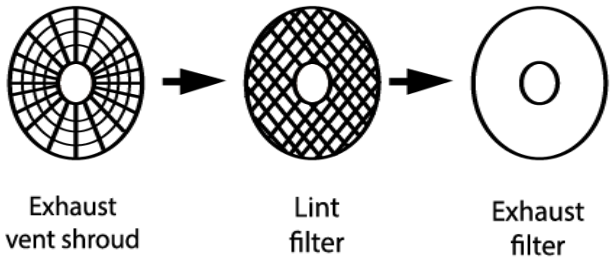


Care and maintenance

3. Separate the 3 parts of the filter: exhaust vent shroud, lint filter, exhaust filter. Clean/remove the lint from the lint filter and exhaust filter with a soft brush. Do not damage the filters.



4. After cleaning, reassemble the filter in the sequence: exhaust filter, lint filter, exhaust vent shroud. Align the centre of the filter with the slots at the rear of the drum inside the appliance and fix the filter back into place. You must ensure that it has been firmly fixed in place



Note:

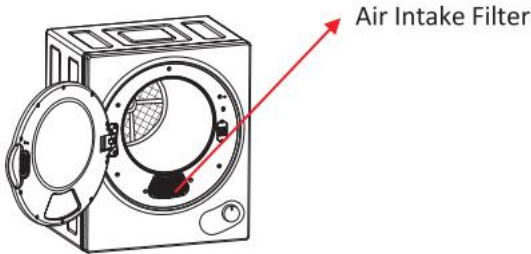
- If your filter becomes damaged, replace it to ensure no damage is caused to the dryer.

Care and maintenance

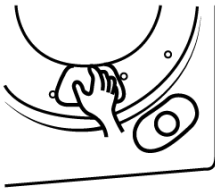
Cleaning the Air Intake Filter

Note:

- **CLEAN THE FILTER ONCE A MONTH.** Failure to do so could cause the safety cut-out to operate.
 - The air intake filter must be in place whenever drying.
 - Unplug the power cord prior to any cleaning.
1. Open the appliance door and remove the air intake filter just below the door cavity.



2. Remove by holding the upper and lower parts of the air intake filter and pull it away from the appliance. Remove the filter inside the shroud by slightly pushing upwards with your thumb until the latch hook disconnects. Remove the filter and clean it with a soft brush. Reassemble and install as before.



Air intake Shroud



Air intake filter

Trouble shooting

Problem	Cause	Solution
Your appliance does not start.	It is not plugged in	Plug the machine in
	The fuse has blown	Replace the fuse
	Electricity cut -off	Check mains power
	Start/pause button not pressed	Press the Start/pause button
	The machine door is not completely closed	Close the machine door
Clothes aren't dry	Dryer has been underloaded	If you are drying laundry that weighs less than 0.5kg (small loads) when wet. Then the Time+ programme must be used
	Dryer has been overloaded	Remove excessive clothes
	Incorrect programme selected for the type of fabric you are drying	Check that you used the correct programme.
	Lint/fluff filter full	Check that the lint/fluff filter has been cleaned. A blocked filter will restrict the airflow.
	Dryer not working correctly	Check that your dryer is heating - below the door in the middle, should feel warm to the touch after the first 10-15 minutes of its programme
Laundry has shrunk, become felted or deteriorated	Programme suitable for the laundry type might have not been used	Only dry laundry which is suitable for drying in your machine after checking the labels on your clothes. Also select a programme suitable for the laundry type to dry your clothes
Long drying time	Lint/fluff filter full	The fluff filter/lint filter It should be cleaned after each load
	Incorrect programme selected for the type of fabric you are drying	Change the programme
	Flexible Vent Hose blocked or kinked	Check it for foreign objects or condensate (water)
	Air inlet obstructed	Clear obstruction
	Flap on the storm cover obstructed (Permanent venting)	Clear obstruction
	Clothes excessive wet	Re-run the programme
	Dryer has been overloaded	Remove excessive clothes
External hot or can smell hot	Lint/fluff filter full or dirty	Clean the lint/fluff filter
	The uptake or exhaust duct is dirty	Clean the uptake or exhaust duct

Trouble shooting

Failure to heat may indicate the safety cut-out has operated. This cut-out only operates if the airflow is severely restricted so make sure the filter is clean, the air inlets and outlets at the front and back are not blocked. If the safety cut-out operates you should contact Customer Services on 0345 208 8750.

If your machine does not work check the following before calling the customer service helpline:

- Check that the machine has the correct weight load in the drum before starting the appliance.
- Check that there is a supply of electricity or the machine is plugged in and the power switched on.
- Check that the door has been properly closed and the machine is switched on (start button pressed, if fitted).
- The child lock has not been activated.
- Check the fuse in the plug.

Technical Specification

Brand	Russell Hobbs
Model number	RH3VTD800 (B) (S)
Type	Vented dryer
Efficiency rating	C
Capacity (KGs)	2.5
Dimensions (CMs):	(H)58.5 x (W)49.5 x (D)41.5

Product fiche

Brand name	Russell Hobbs
Model Number	RH3VTD800 (B) (S)
Capacity cotton	2.5 kg
Dryer type	Air-vented
Energy efficiency class (2010/30/EC)	C
Weighted annual energy consumption, electric dryer (2010/30/EC)	199 Kwh/annum
Drying process non-automatic tumble dryer	Non-automatic
Energy consumption electric dryer, full load (2010/30/EC)	1.815 Kwh
Energy consumption electric dryer, partial load (2010/30/EC)	0.811 Kwh
Power consumption in off-mode (2010/30/EC)	0 W
Power consumption in left-on mode (2010/30/EC)	0 W
Rated programme time at full load min	161 min
Rated programme time at partial load min	76 min
Condensation efficiency class (2010/30/EC)	N/A
Average condensation efficiency full load %	N/A
Average condensation efficiency partial load %	N/A
Weighted condensation efficiency %	N/A
Noise level	62
Construction type	Free-standing

Connection to the mains supply

For UK use only – Plug fitting details (where applicable):

As the colours of the wires in the mains lead of this appliance may not correspond with the coloured markings identifying the terminals in your plug, proceed as follows:

The GREEN/YELLOW wire is the EARTH and must be connected to the terminal which is marked with the letter E or by the earth symbol or coloured GREEN or GREEN/YELLOW.

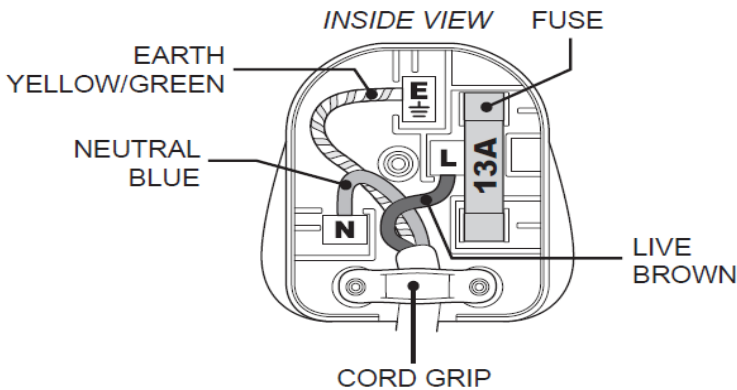
The BLUE wire is the NEUTRAL and must be connected to the terminal marked with the letter N or coloured BLACK. The BROWN wire is the LIVE wire and must be connected to the terminal marked with the letter L or coloured RED.

Always ensure that the plug cord grip is fastened correctly.

If a 13A (BS1363) fused plug is used it must be fitted with a 13amp fuse conforming to BS1362 and be BSI or ASTA approved.



DANGER
Electric
Shock Risk



GUARANTEE AND CUSTOMER SERVICES

This product is guaranteed for **12 months** from the date of the original purchase. If any defect arises due to faulty materials or workmanship, the faulty product must be returned to the place of purchase. Refund or replacement is at the discretion of the retailer.

The following conditions apply:

- The product must be returned to the retailer with the original proof of purchase.
- The product must be installed and used in accordance with the instructions contained in this instruction guide and any other instructions for use which are supplied.
- It must be used for domestic purposes only and for its intended use.
- This warranty does not cover wear and tear, damage, misuse or consumable parts.

This does not affect your statutory rights.

Customer Services & Spare Parts:

Region	Contact	Website
UK & Northern Ireland	0345 209 7461	mda.russellhobbs.com
Ireland	1 800 938982	ie.mda.russellhobbs.com
Rest of Europe	europe@productcaregroup.com	de.mda.russellhobbs.com fr.mda.russellhobbs.com es.mda.russellhobbs.com it.mda.russellhobbs.com nl.mda.russellhobbs.com

Notes:

Notes:

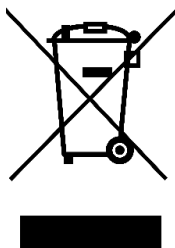


Russell Hobbs

Made by Product Care Trading Limited under license from Spectrum Brands (UK) Limited. Product Care Trading Ltd, Unit 1, Green Bank Business Park, Swan Lane, Hindley Green, Wigan, WN2 4AY, United Kingdom

Product Care (Ireland) Ltd, Unit 3D North Point House, North Point Business Park, New Mallow Road, Cork, T23 AT2P, Ireland. Russell Hobbs is the registered trademark of Spectrum Brands (UK) Ltd.

**UK
CA**



The 'wheellie bin' symbol is known as the 'Crossed-out wheellie bin Symbol'.

When this symbol is marked on a product/batteries, it means that the product/batteries should not be disposed of with your general household waste. Only discard electrical/electronic/battery items in separate collection schemes, which cater for the recovery and recycling of materials contained within. Your co-operation is vital to ensure the success of these schemes and for the protection of the environment. For your nearest disposal facility, visit www.recycle-more.co.uk or ask in store for details.

SEDEX – Connecting businesses and their global suppliers to share ethical data and enabling improvement in ethical performance. Visit www.sedex.org.uk for further information.

We reserve the right, due to possible changes to design, to alter the instruction manual without prior notice.