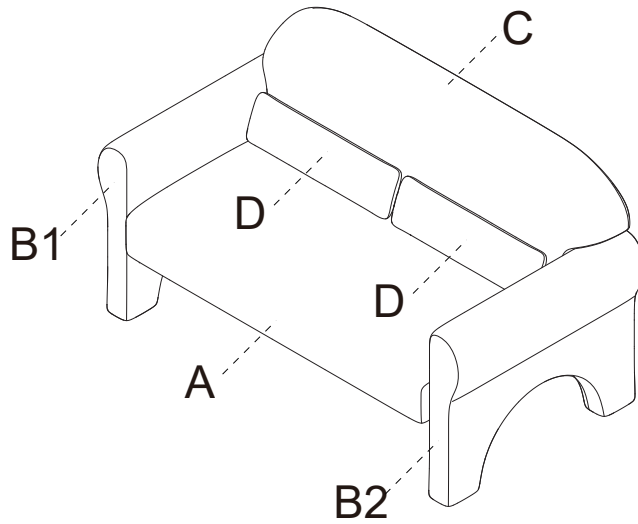


# Assembly Instructions



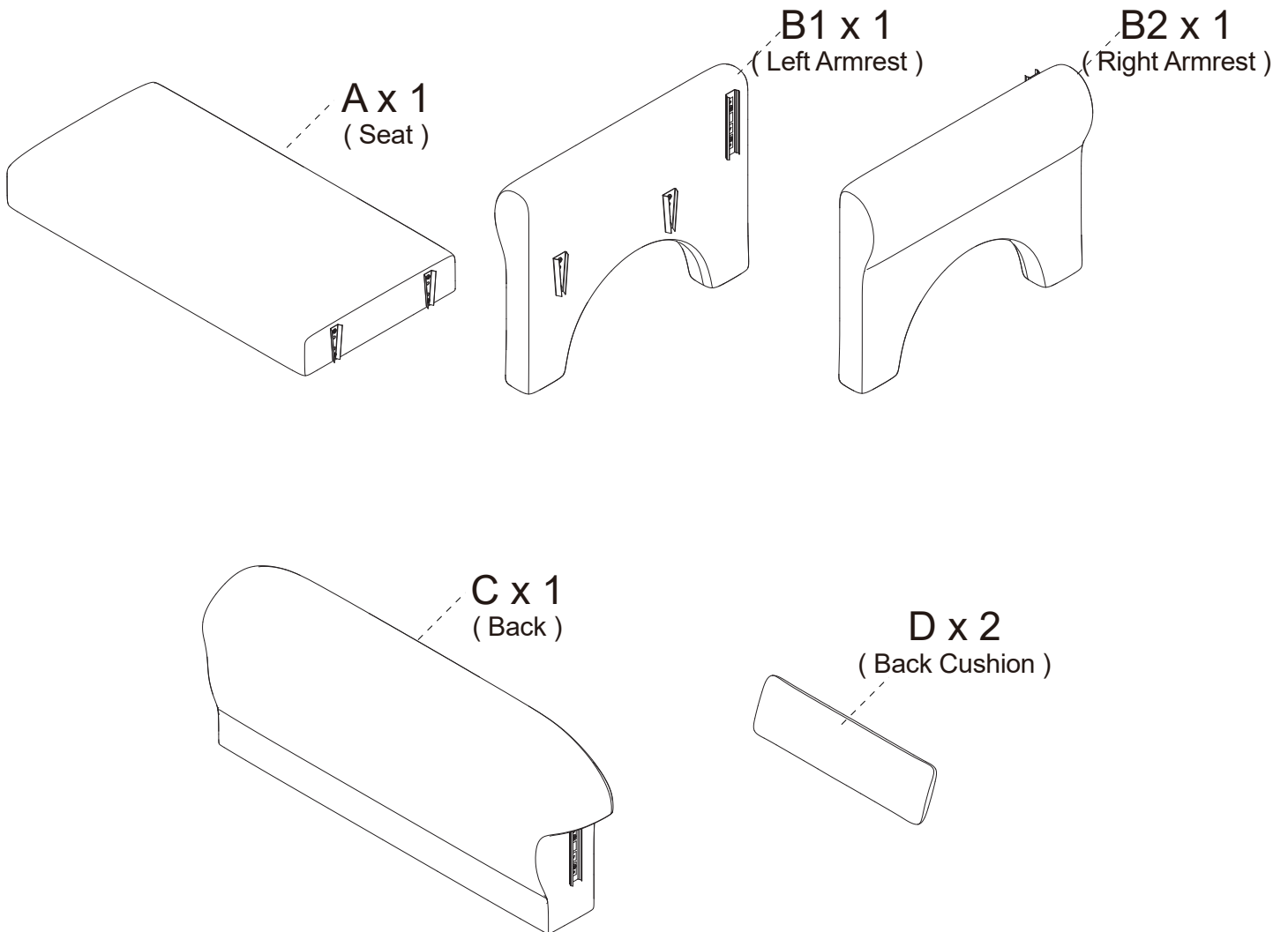
Assemble on the pad to avoid scratching the product.



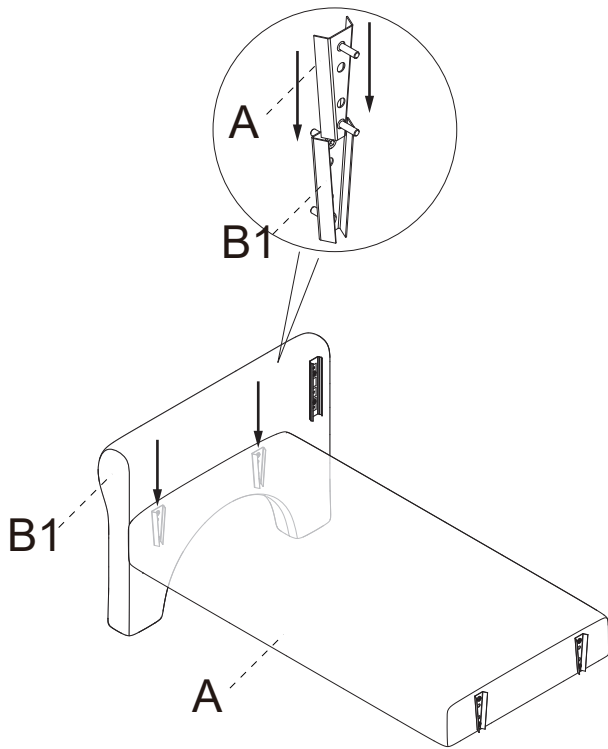
## Parts List

Take out all parts and check QTY.

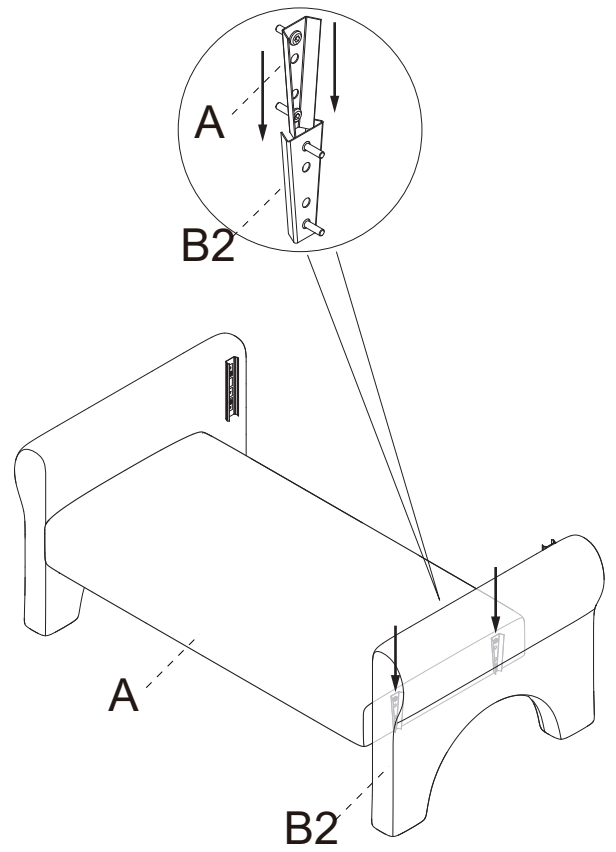
1/1  
carton



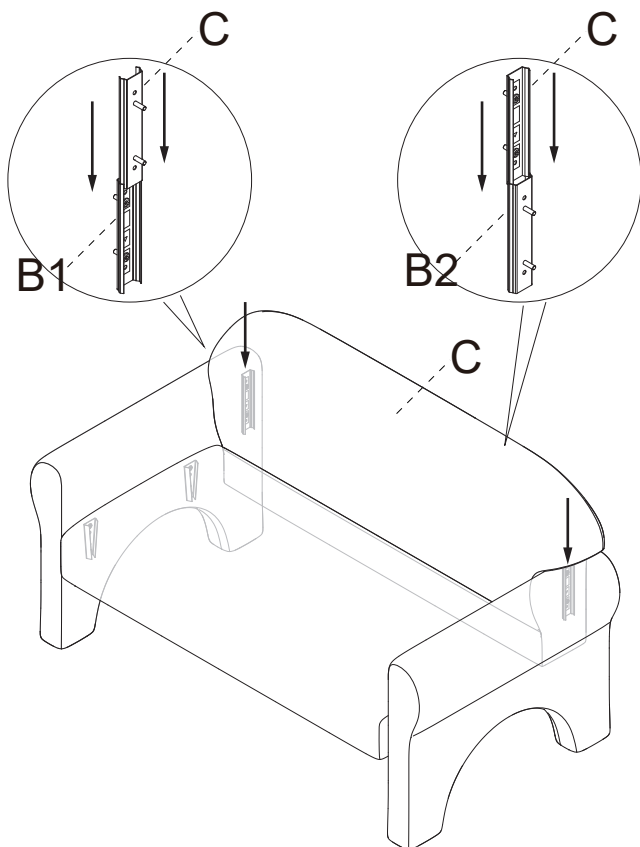
### Step 1



### Step 2



### Step 3



### Step 4

