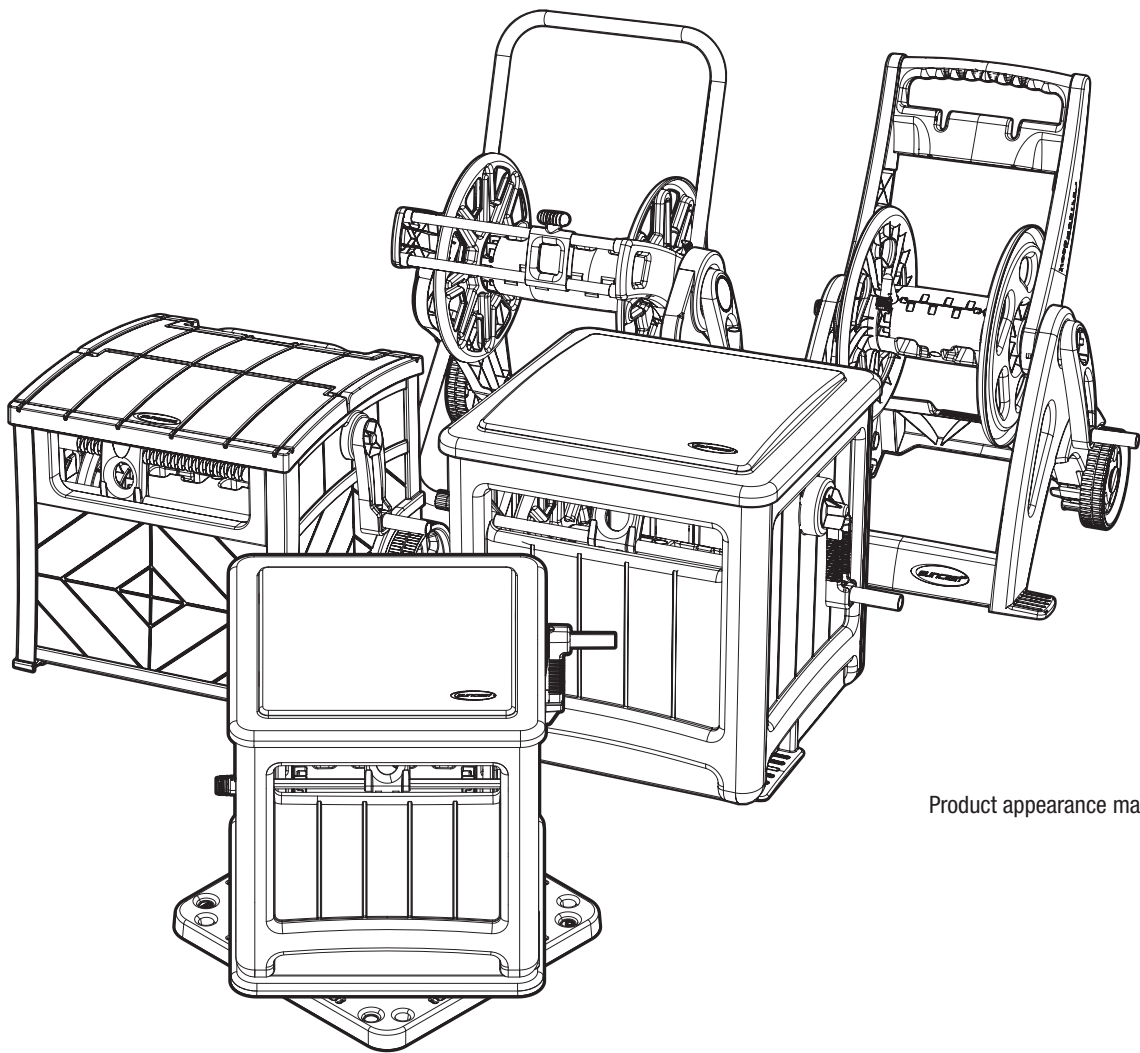


# Hose Reel

## OWNER'S MANUAL



Product appearance may vary.



## Before You Begin

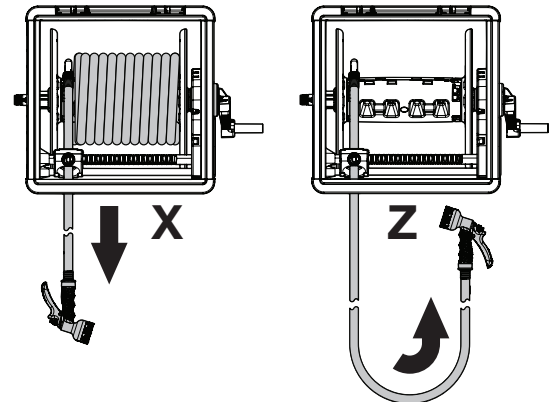
- **Read and follow instructions carefully.**

This product contains parts that can be damaged if incorrectly assembled. Suncoast is not responsible for replacing parts damaged due to incorrect assembly.



## Care Instructions

- To unwind your hose, pull the hose out away from your hose reel in a straight line (**X**). To rewind the hose, walk the end back to the hose reel so the hose is in a "U" shape in front of the reel (**Z**), this assists in easier rewinding of the hose. If applicable, place your foot on the right side foot hold during winding and unwinding to stabilize the unit. Keep hands away from the rotating crank handle.



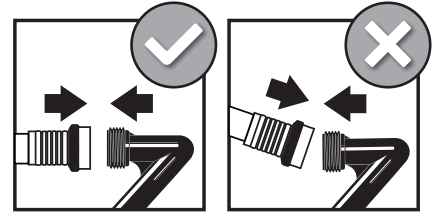
- **TURN OFF WATER AT SOURCE AND DRAIN HOSE WHEN NOT IN USE.**

- Check in-tube and out-tube connections prior to first use each spring. If hose reel starts to leak, tighten all water connections and check washers in the in-tube and the garden hose. Replace washers, if necessary.

# Using Your Hose Reel

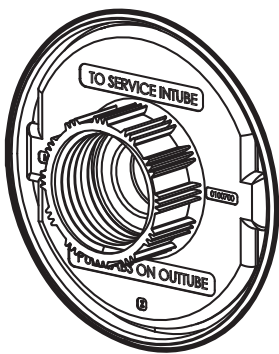
## ⚠ CAUTION

- **DO NOT** cross-thread hose connections. When attaching the garden hose to the out-tube and/or the leader hose to the in-tube, be sure to attach correctly. Cross-threading could cause permanent damage.

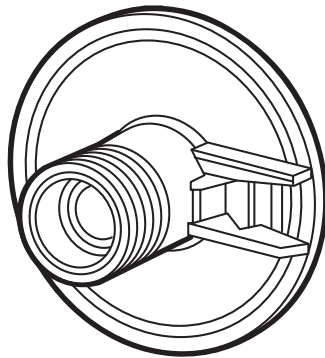


Connect leader hose to the in-tube (A) on the exterior of the hose reel. Connect the opposite end of the leader hose to the water supply.

**NOTE:** Your unit may contain either a male or female in-tube connector.



Female In-Tube



Male In-Tube

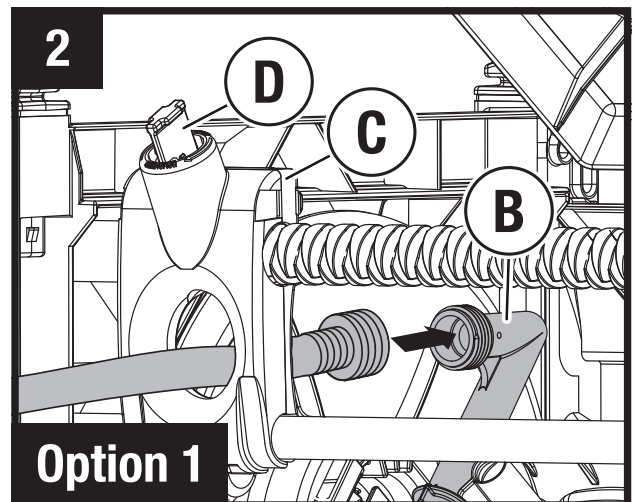
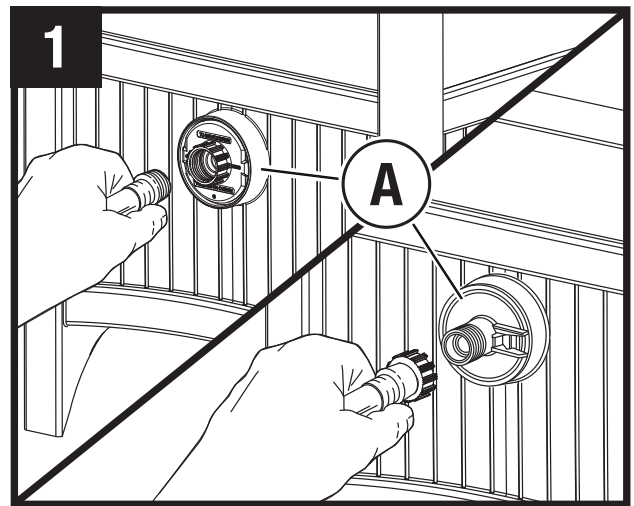
*Actual images shown may differ based on model purchased.*

## Options

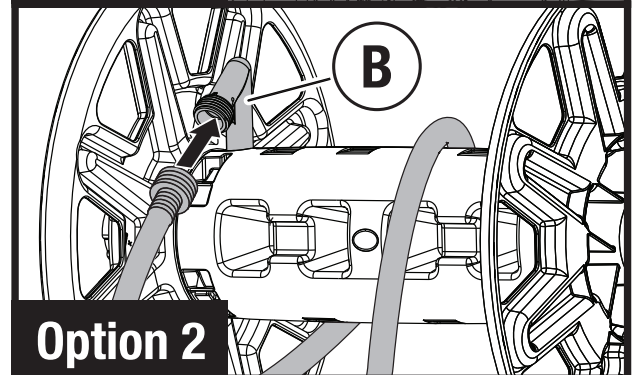
1. Reel With Hose Guide
2. Reel Without Hose Guide

Connect a garden hose to the out-tube (B). Turn on the water supply and check for leaks. If leaking occurs, turn off the water supply and re-tighten the connection.

**NOTE:** For Option #1, feed the garden hose through the hose guide prior to connecting to the out-tube (B). The hose guide (C) must be aligned with the out-tube. If not aligned, crank the guide handle or lift the guide release (D) to move the hose guide into alignment with the out-tube. If guide release is used, make sure it snaps back down to lock the hose guide into position.



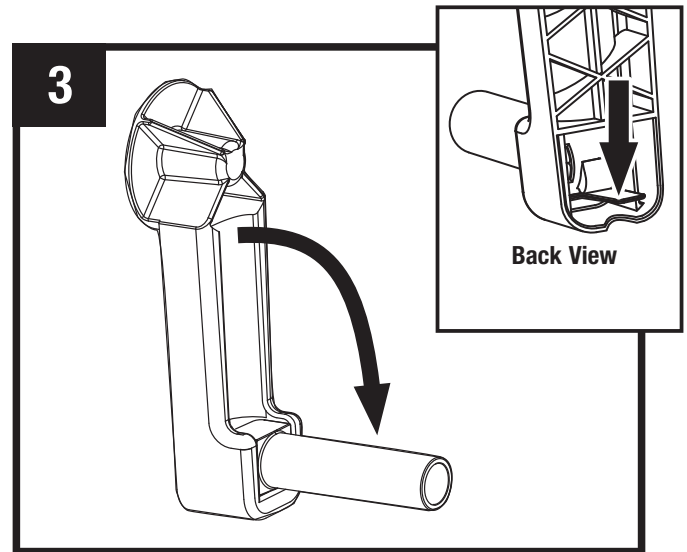
Option 1



Option 2

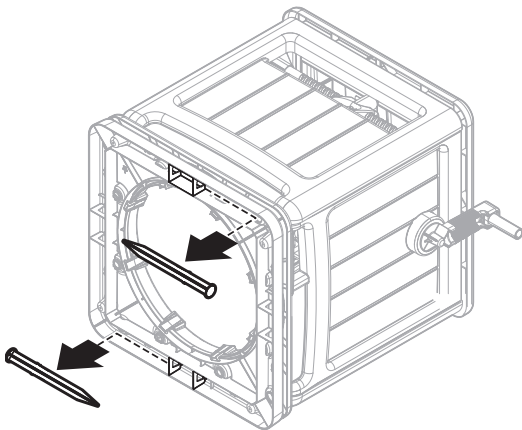
## Using Your Hose Reel (cont.)

Flip the crank handle grip down until it snaps into its locked position. Your hose reel is now ready to use. To fold the grip back into the crank handle, press the tab on the back of the handle and fold the handle grip upward.



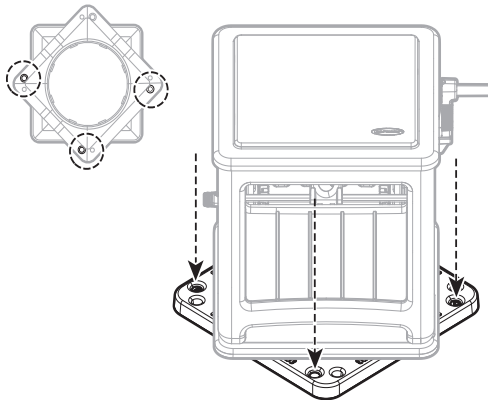
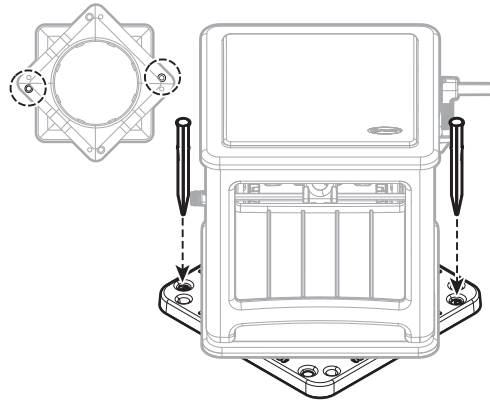
Appearance may vary by model.

## Swivel Base Installation



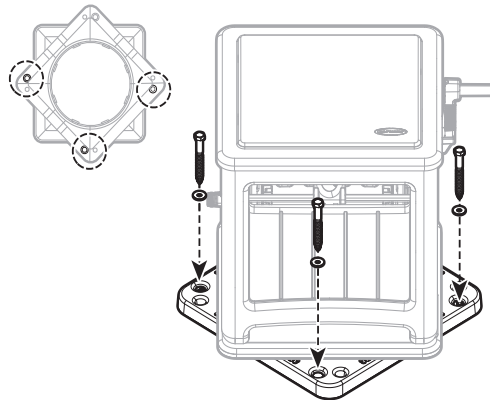
Remove provided stakes from the underside of base. Insert 2 stakes through openings. Secure with rubber mallet.

**NOTE:** Ensure stake head is recessed in base, enabling the unit to rotate freely.



### Concrete Installation:

Consult your local hardware store for hardware recommendations.

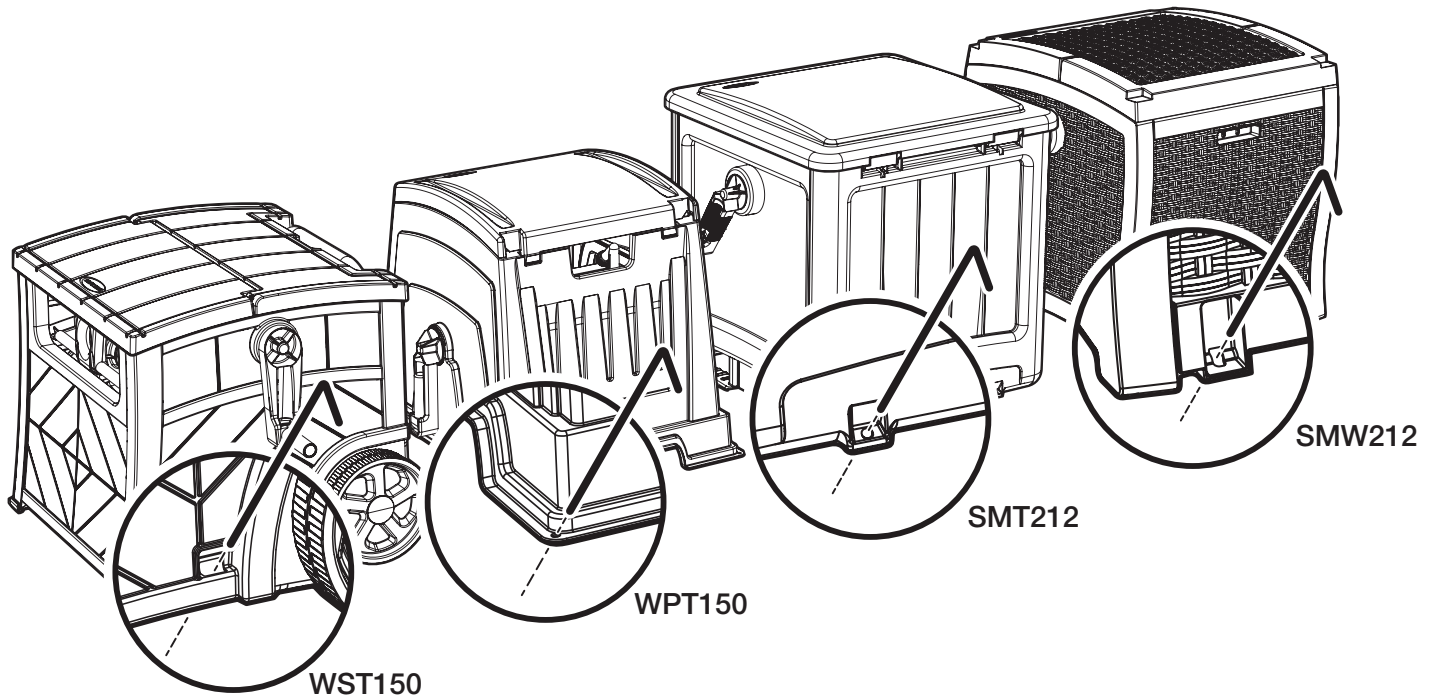


### Wood Installation:

Secure using #10 x 2" wood screw, and #10 x .5" OD washer (not included).

## Hideaway Installation

**Staking the frame to the ground is highly recommended (where applicable)** – Refer to your specific unit for location and size of any staking holes. Stakes are not included in some models. Consult local hardware store for staking options.



## Maintaining a Water Tight Connection

Depending on usage and water hardness, the in-tube and out-tube connections may become worn and start to leak. Check the following regularly to maintain water tight connections: