

NOTICE

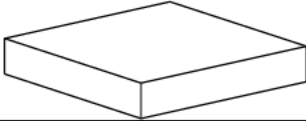
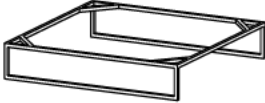



- * Please make sure that you have all parts indicated and they are in good condition before you begin assembly of this item. Refer to part list and hardware list below for guidance.
- * This item should be assembled on a soft surface to prevent scratching the finish during assembly
- * This item may require periodic tightening.

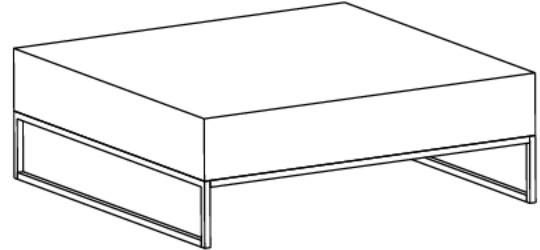
CARE AND MAINTENANCE

*Always use felt pads under all articles to prevent discoloration or softening of the lacquer. Plastic and rubber bases on items can discolor wood. Wipe up spills immediately and avoid common hazards such as hot dishes, harsh solvents and abrasives. Cleaning should be done with a soft lint free cotton cloth dampened with water or furniture polish. On highly used surfaces we recommend applying a quality paste wax which should be used on a regular basis to provide additional protection from scratches and spills. How often you apply the wax depends on how much wear the furniture receives.

Product Dimensions: L34.25xW34.25xH11.42 inches

Part List and Hardware List

PIECE	DESCRIPTION	PICTURE	QUANTITY
A	CONCRETE TOP		1X
B	STAINLESS STEEL LEGS		1X
H1	WASHER		4X
H2	BOLT M8		4X
H3	ALLEN KEY		1X



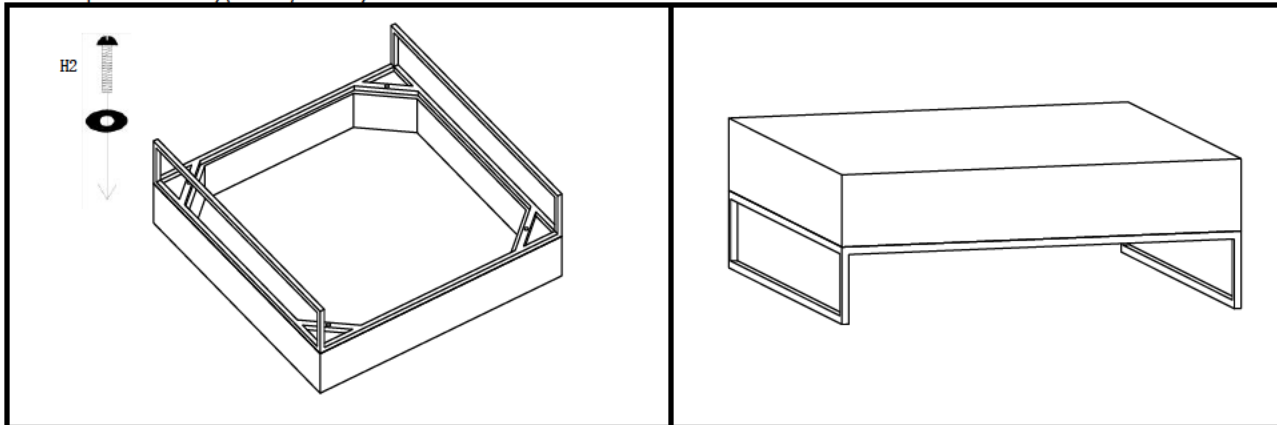
PREPARATION

*Before beginning assembly of product, make sure all parts are present. Compare parts with package contents list and hardware contents list.

*If any part is missing or damaged, do not attempt to assemble the product.

*Estimated Assembly Time: 10 minutes.

* Tools Required for Assembly (included): Allen Key



Step 1 : Use 4 bolts M8 (H2) and washer (H1) connect wooden legs (B) and concrete table top (A)

Step 2 : Turn and finish