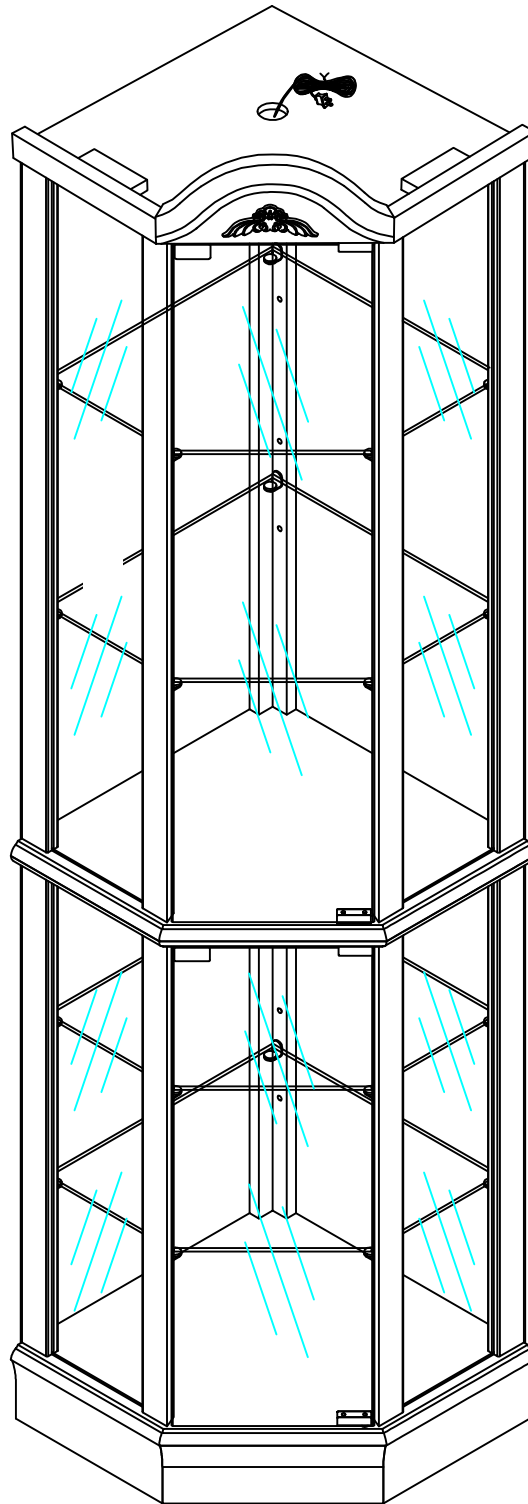


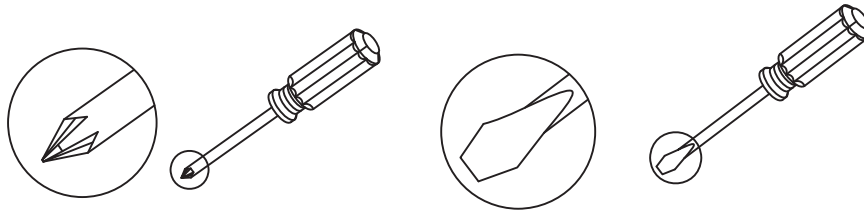
Corner Curio Cabinet (Flower)

Item: YL-009

Assembly Instructions

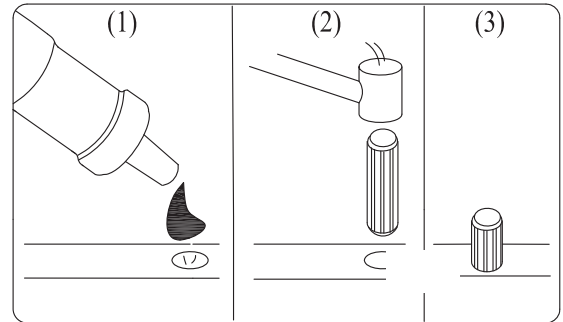


ASSEMBLY TOOLS REQUIRED (NOT INCLUDED)

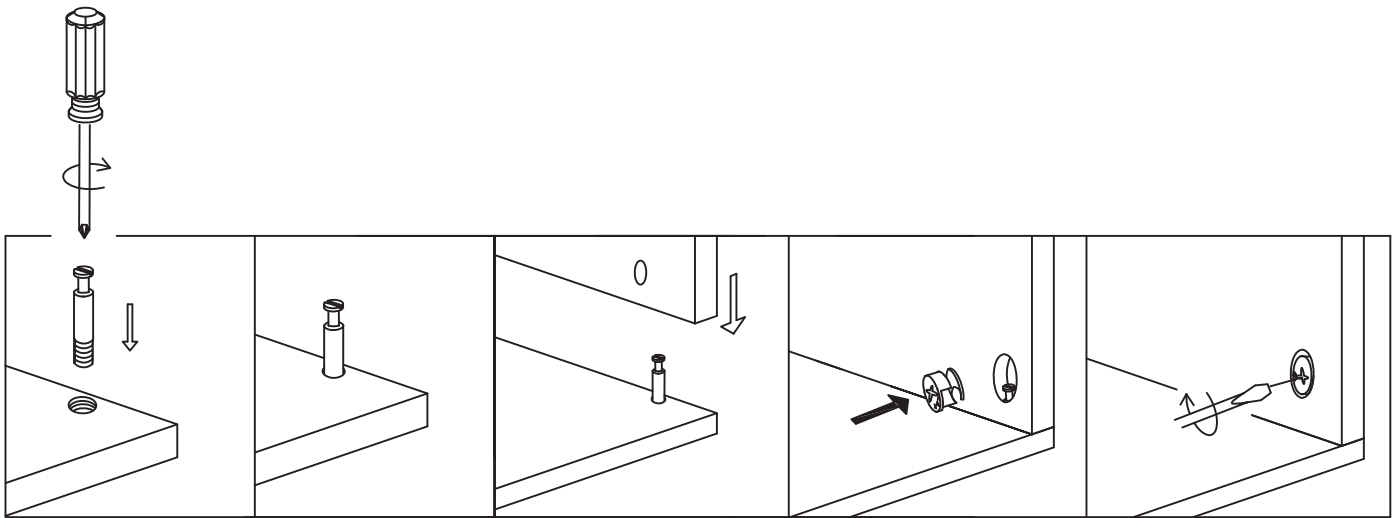


WOODEN DOWEL INSTALLATION PROCEDURE

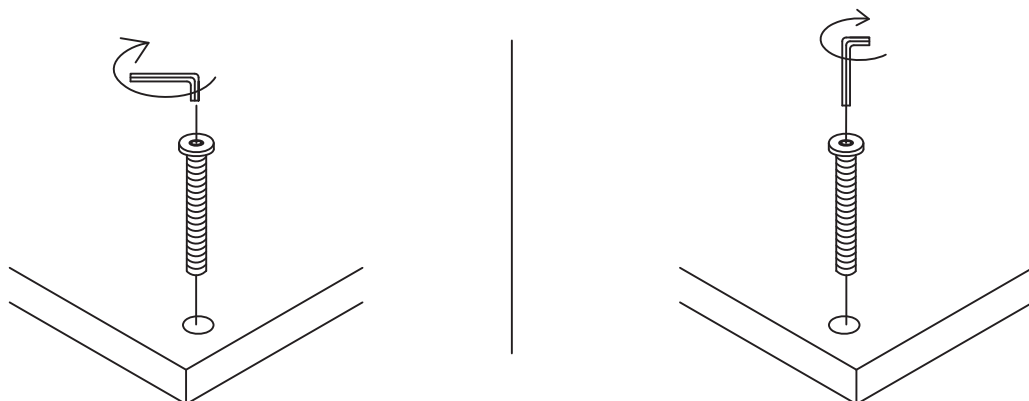
- (1) FILL HOLE 1/4 FULL OF GLUE.
- (2) GENTLY TAP DOWEL INTO HOLE WITH RUBBER MALLET OR USE HAND PRESS IN.
DO NOT USE HAMMER
- (3) WIPE AWAY EXCESS GLUE.



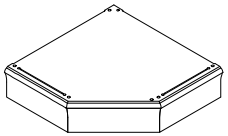
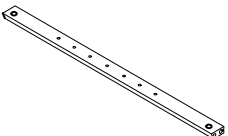
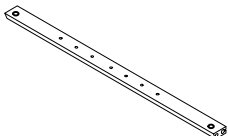
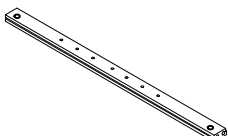
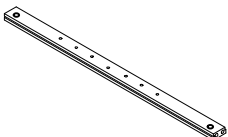
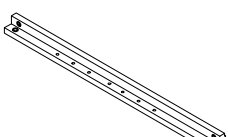
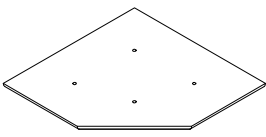
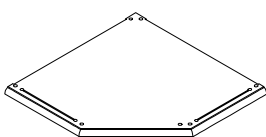
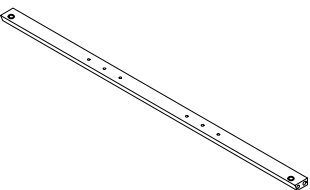
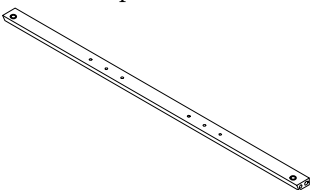
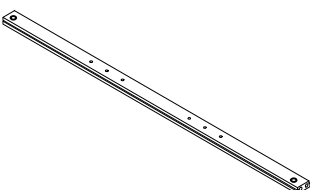
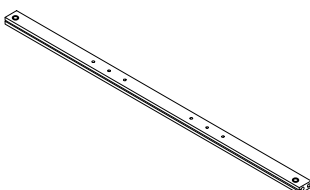
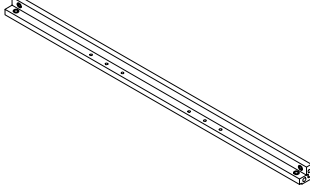
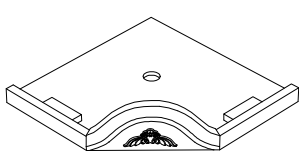

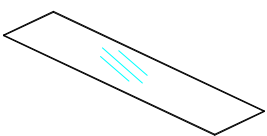
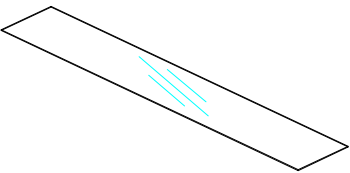
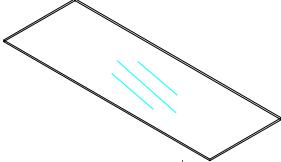
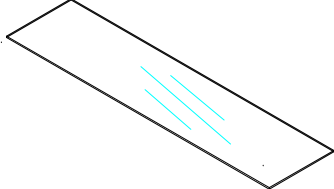
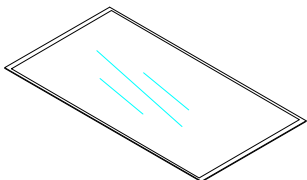
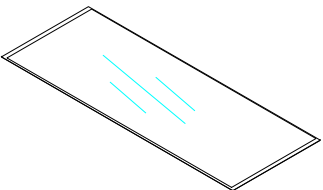
HIDDEN CONNECTOR.....ASSEMBLY TECHNIQUES







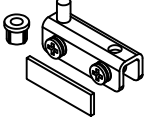
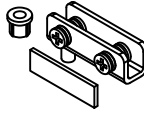
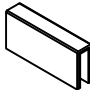
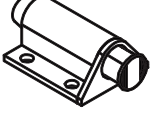












MACHINE SCREW INSTALLATION PROCEDURE






Parts List


<p>1:Bottom Prame -1Pc</p> 	<p>2:Lower Left Pront Corsspiece -1Pc</p> 	<p>3:Lower Right Front Corsspiece-1Pc</p> 	<p>4:Lower left Back Corsspiece -1Pc</p> 
<p>5:Lower Right Back Corsspiece -1Pc</p> 	<p>6:Lower Back Pole -1Pc</p> 	<p>7:Lower Top Panel -1Pc</p> 	<p>8:Upper Bottom Panel-1Pc</p> 
<p>9:Upper Left Front Crosspiece -1Pc</p> 	<p>10:Upper Right Front Crosspiece-1Pc</p> 	<p>11:Upper Left Back Crosspiece -1Pc</p> 	<p>12:Up ight Crosspiece -1Pc</p> 
<p>13:Upper Back Pole -1Pc</p> 	<p>14:Upper Top Frame -1Pc</p> 	<p>15:Glass Shelves-4Pcs</p> 	<p>16:LowerSide Glass -2Pcs</p> 
<p>17:Upper Side Glass -2Pcs</p> 	<p>18:Lower Door Glass -1Pc</p> 	<p>19:Upper Door Glass -1Pc</p> 	<p>20:Lower Back Panel -2Pcs</p> 
<p>21:Upper Back Panel -2Pcs</p> 			

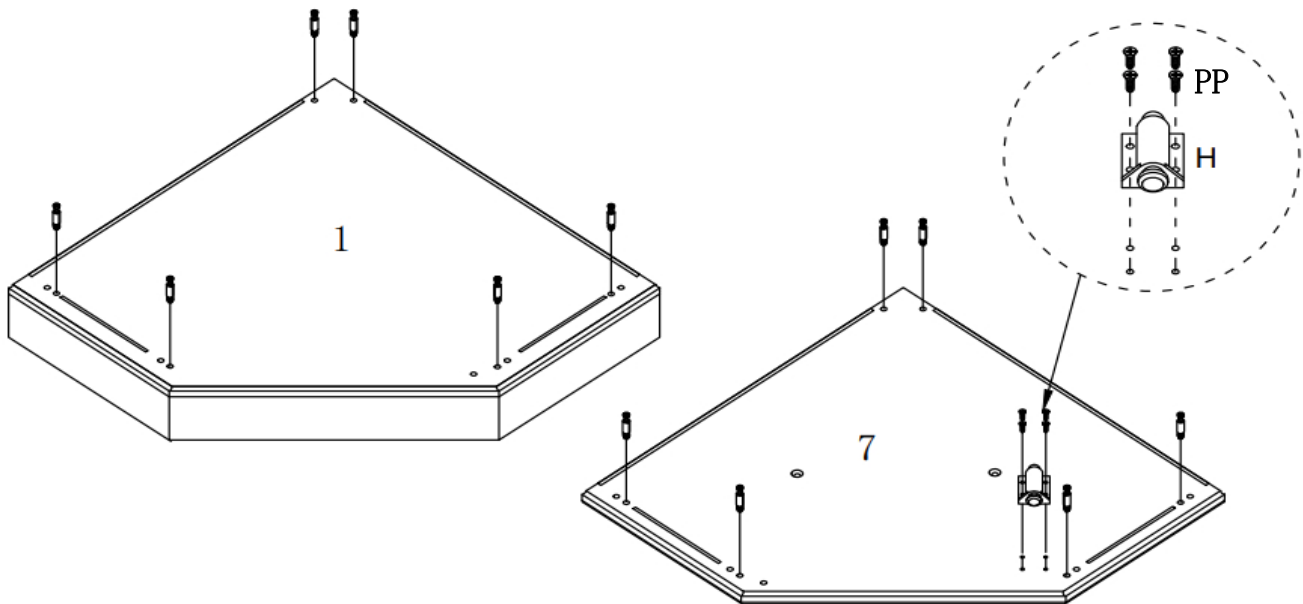
Hardware List

A: Camlock bolt 26Pcs  Ø6 x 34m	B: Camlock 26Pcs 	C: Flat head Screw 2Pcs  Ø3X12mm	D: Round Head Screw 68Pcs  Ø3X12mm	E: Door Clip A 2Sets 
F: Door Clip B 2Sets 	G: Metal Clip 2Sets 	H: Magnet 2Pcs 	I: Shelf Support 20Pcs 	J: Banana Lamp 1Pc 
K: Wood Dowel 2Pcs  Ø8X20mm	L: Machine Screw 2Pcs  Ø6x22mm	M: Allen Wrench 1Pc 	N: Safety Wall Strap 2Pcs 	O: Plastic Anchor 2Pcs 
P: Mounting Screw 2Pcs  Ø4x38mm	Q: Sticker for B: Camlock 26Pcs  Ø 20mm	R: Lamp Bulb 1Pc  120V 4W Type T Bulb	S: Glue 1Pc 	T: Wood Dowel 18Pcs  Ø8X30mm



STEP 1

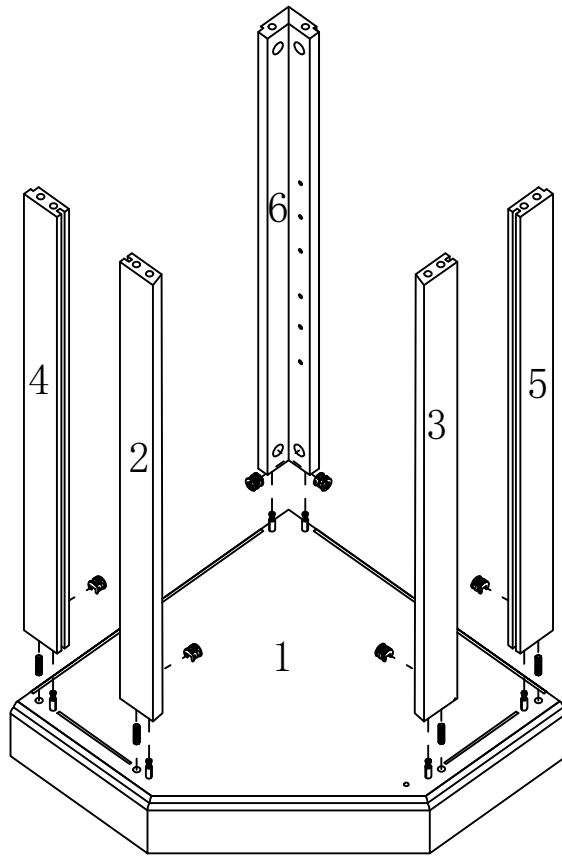
A		12
DD		4
H		1

PP: Round Head Screw 9 Pcs  Ø3X18 mm
--

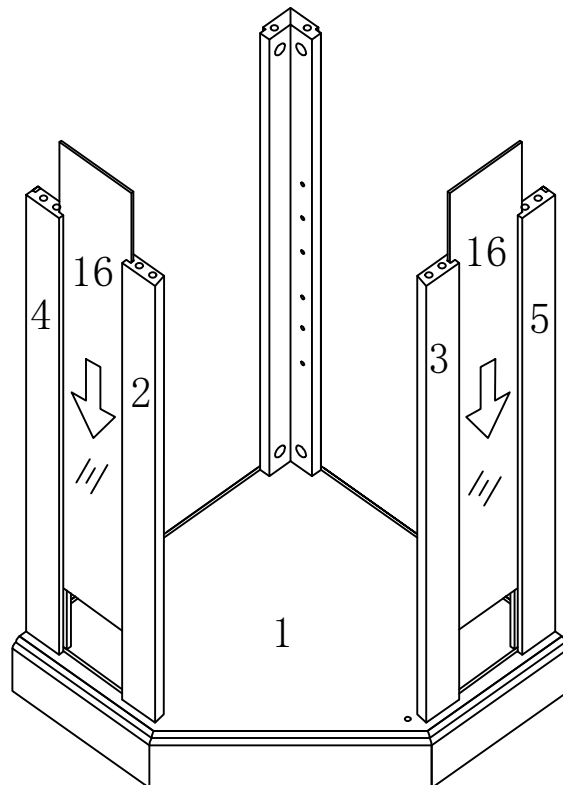


STEP 2



B		6
T		4

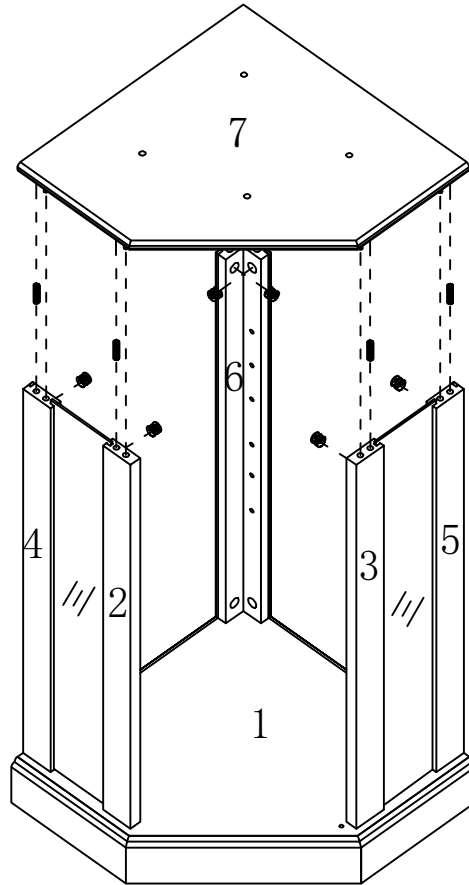


STEP 3




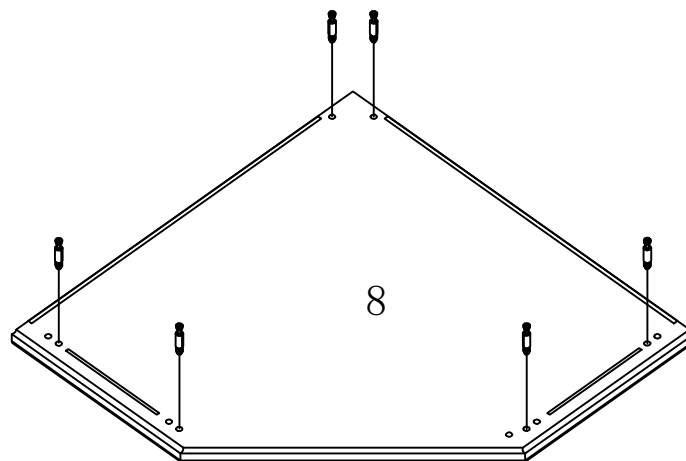
STEP 4

B		6
T		4









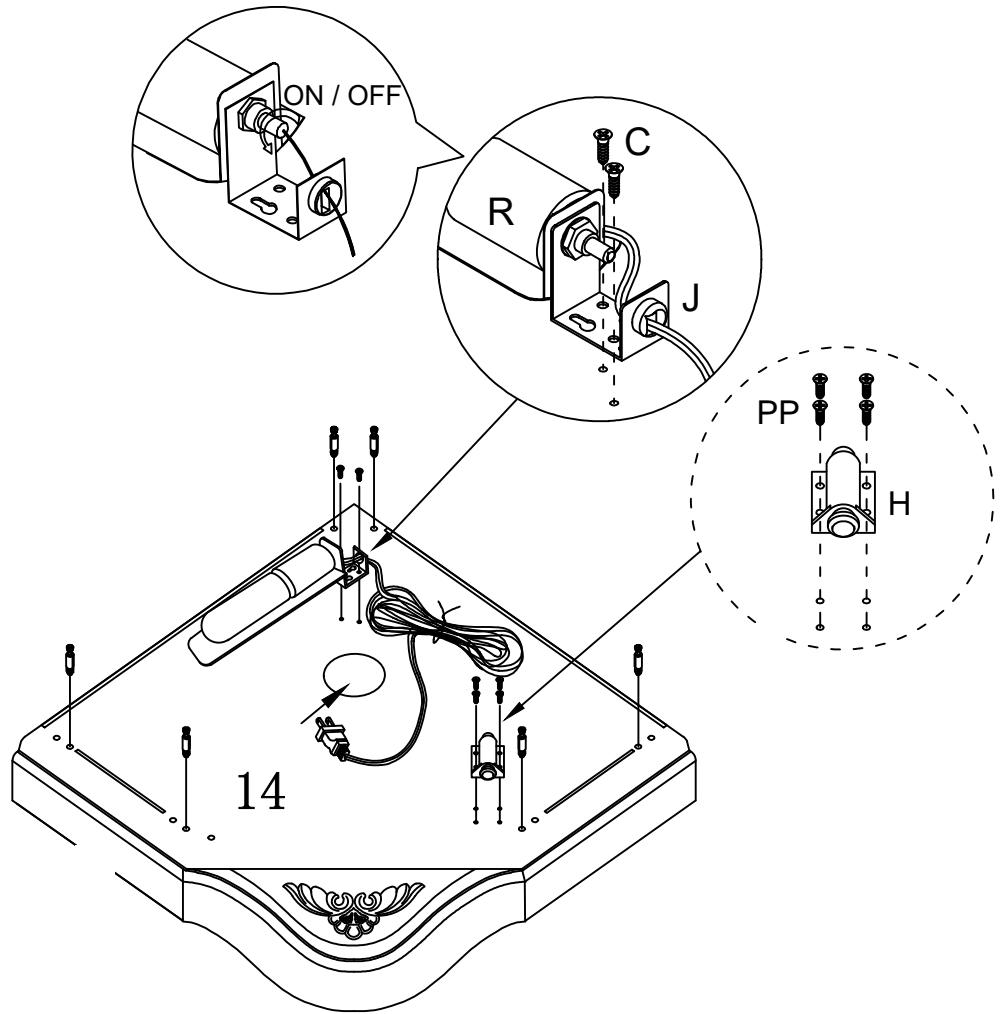
STEP 5

A		6
---	---	---





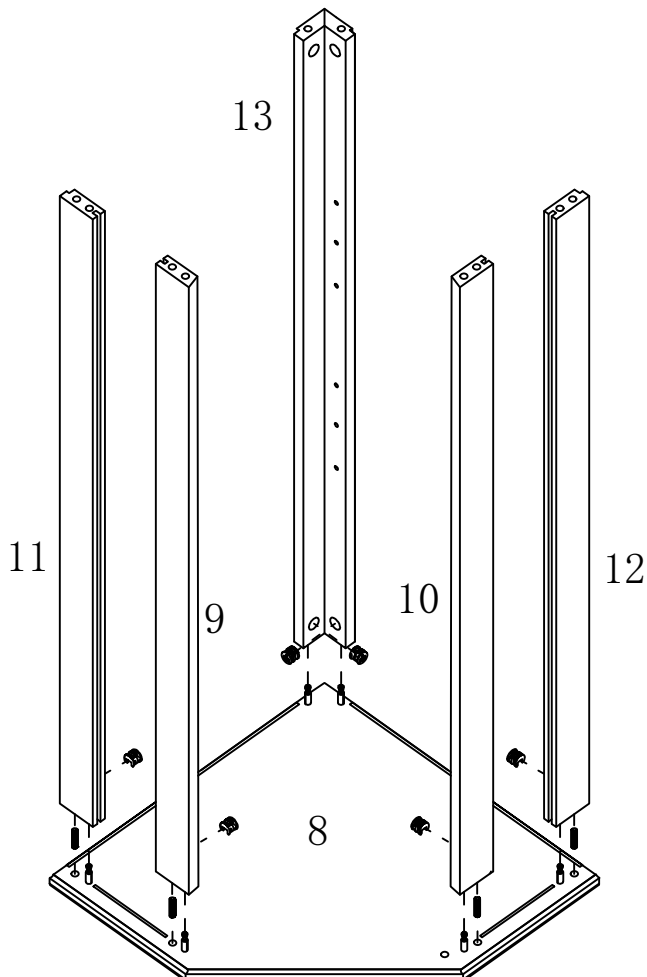
STEP 6

A		6
C		2
PP		4
H		1
J		1
R		1

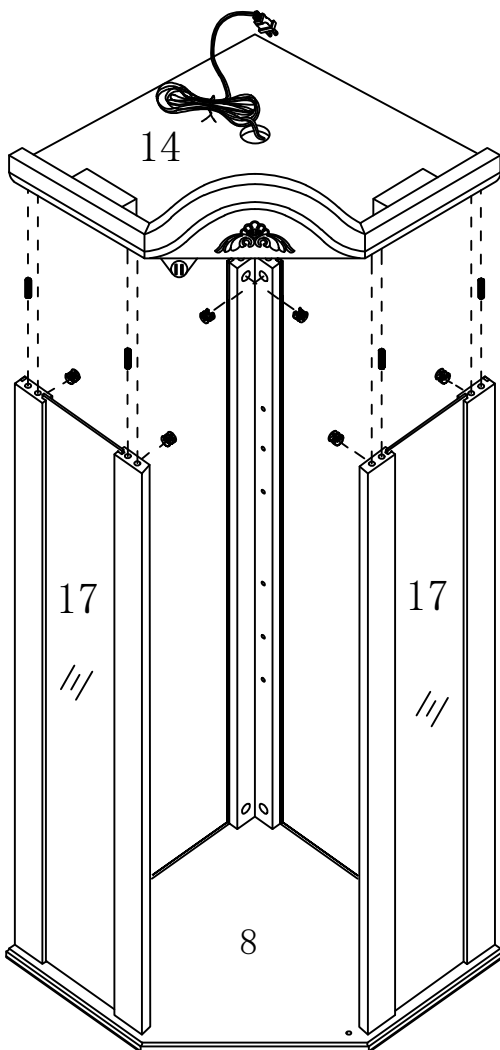
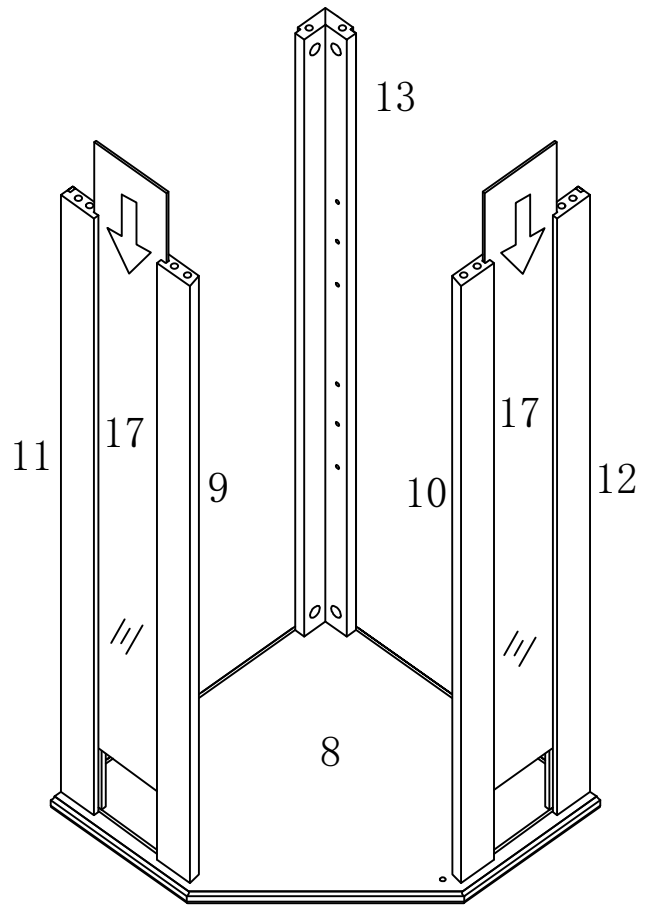


STEP 7



B		6
T		4





STEP 8

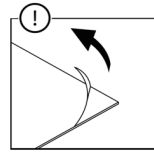
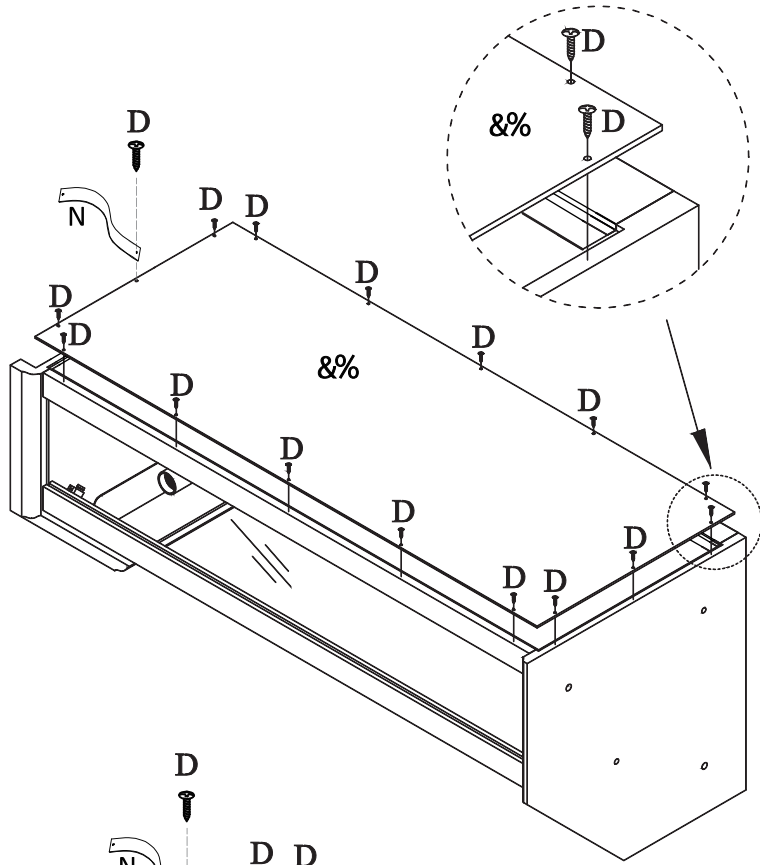


STEP 9

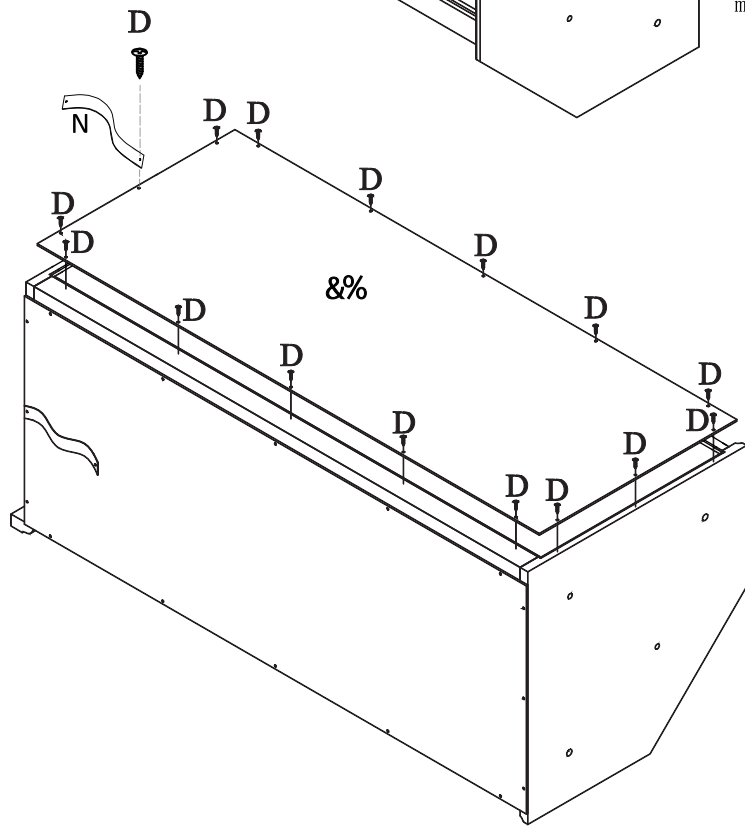
B		6
T		4

STEP 10

D		32
N		2

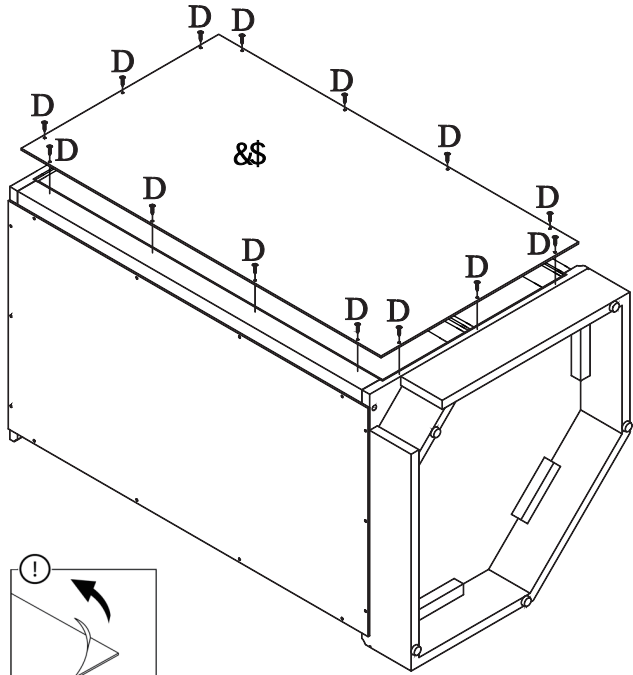
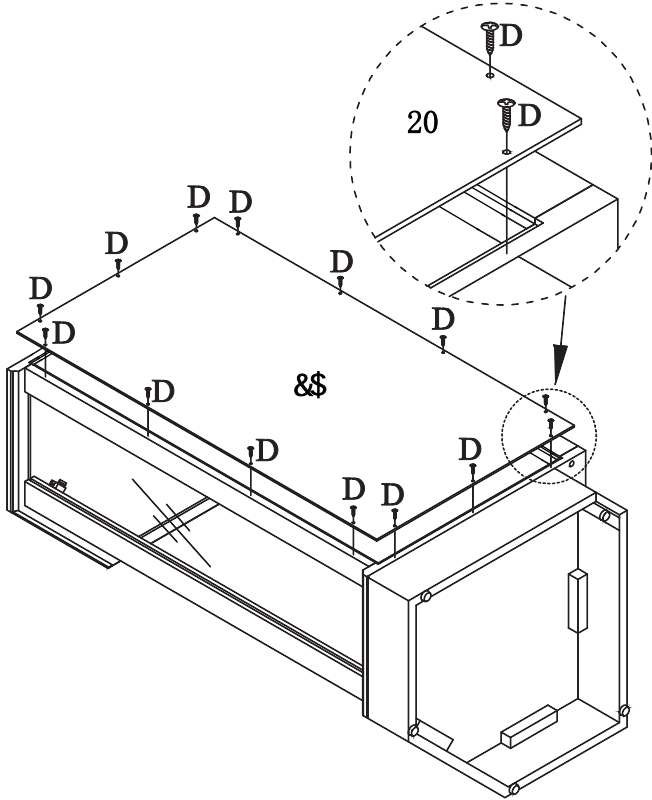


Remove protective film on the mirror panel.







STEP 11

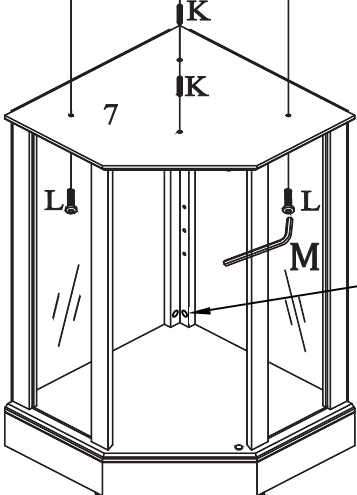
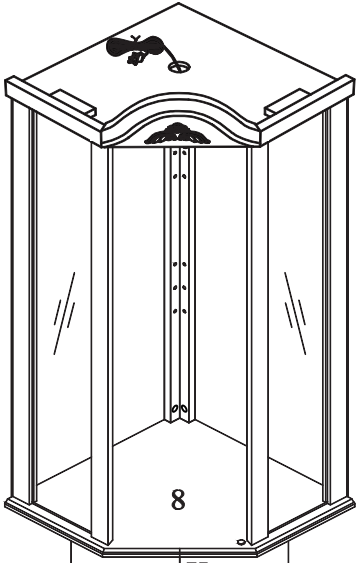
D		28
---	---	----



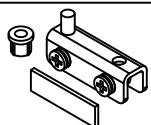
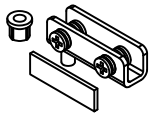
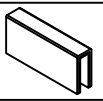
Remove protective film on the mirror panel.

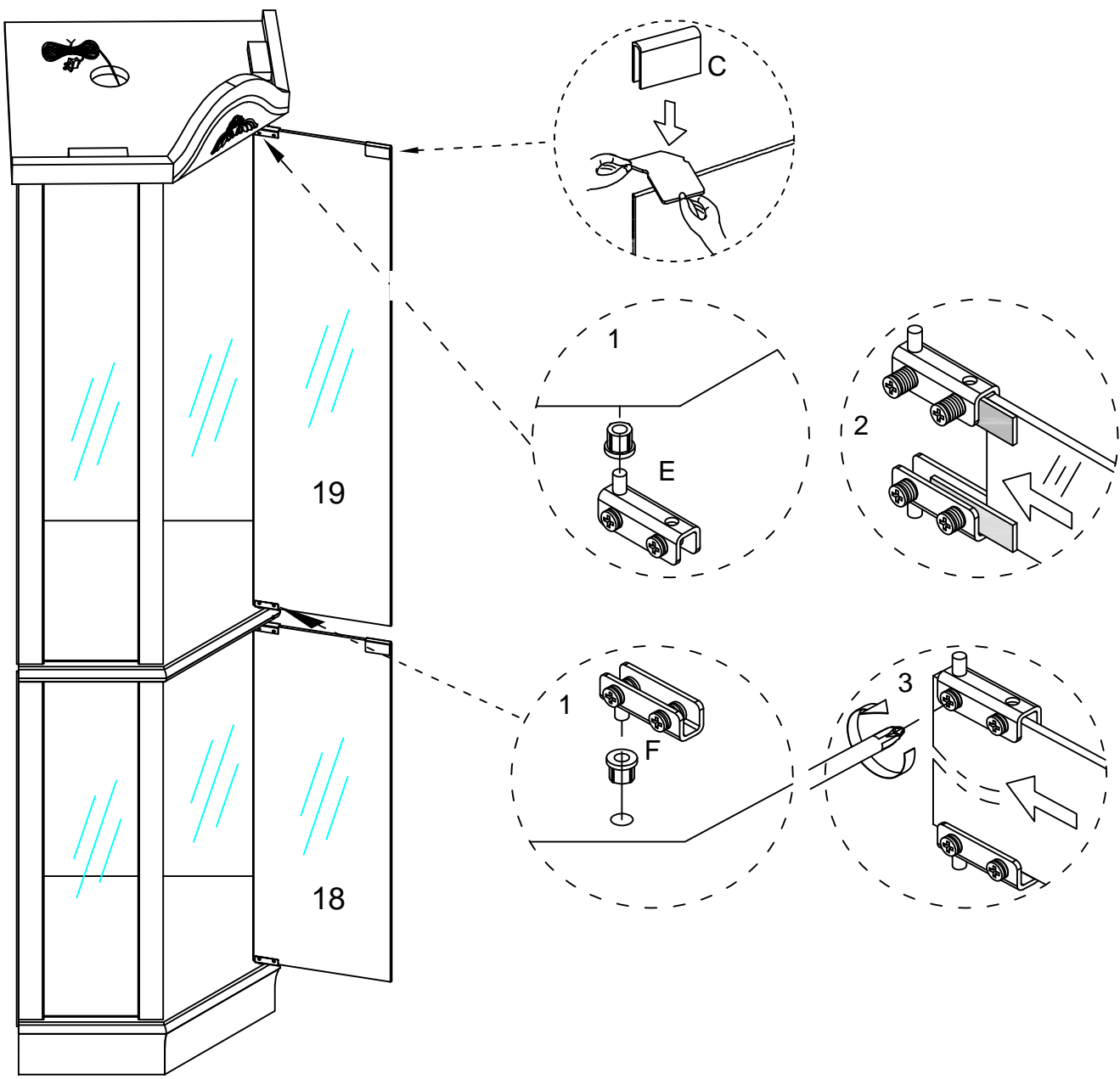
STEP 12

L		2
K		2
M		1
Q		26



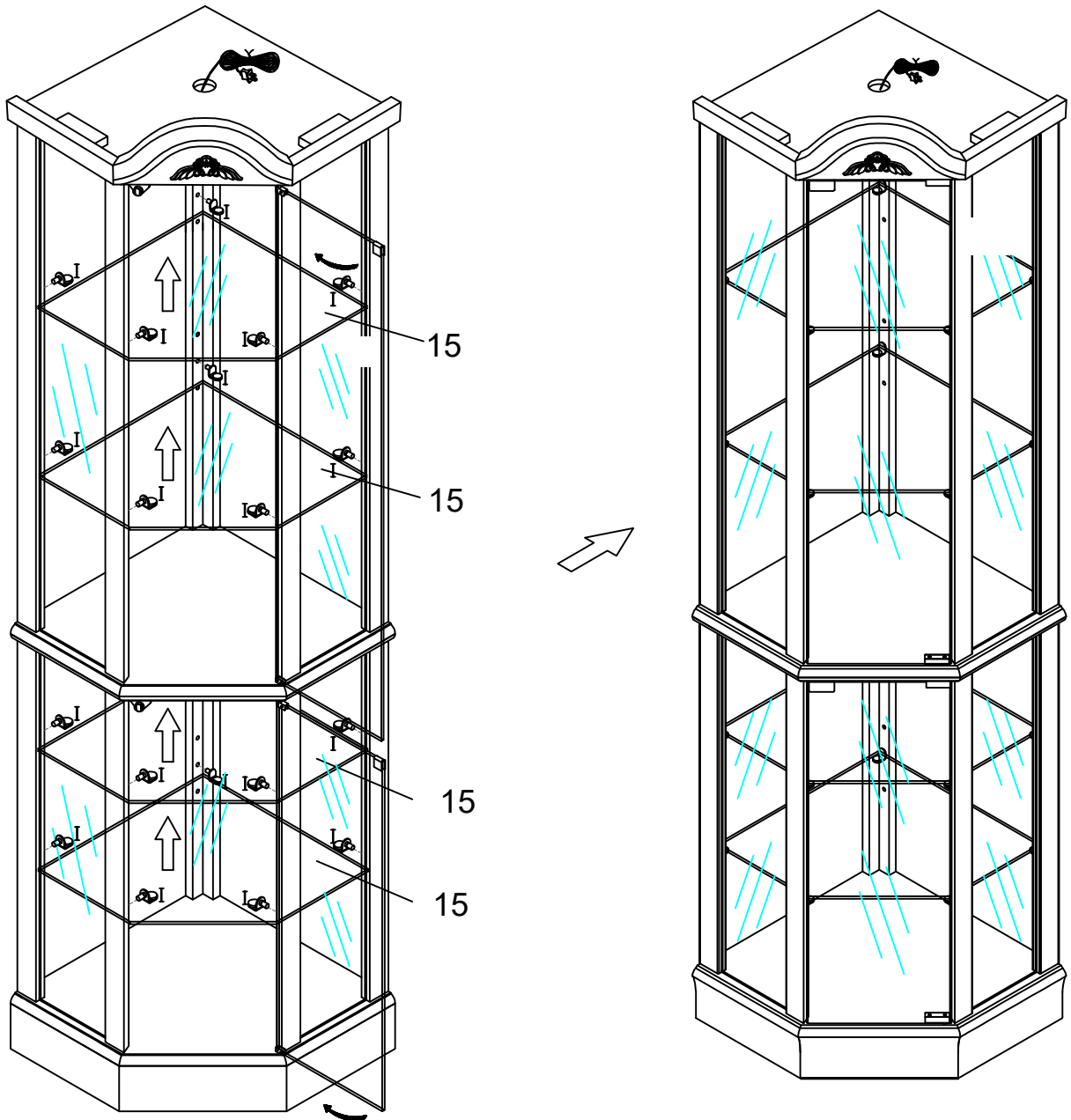
STEP 13

E		2
F		2
C		2

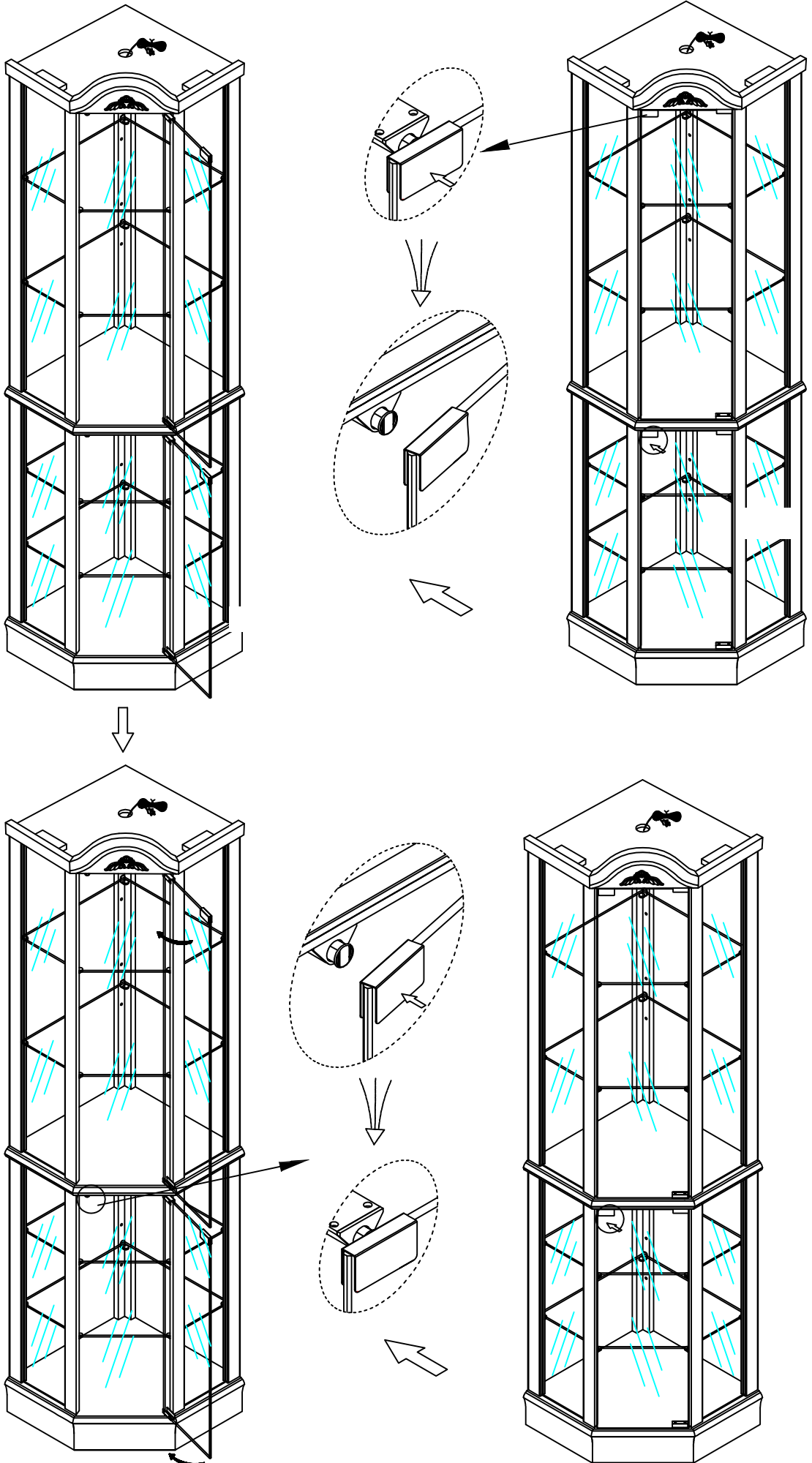


STEP 14

I		20
---	---	----



STEP 15



STEP 16

O  2

P  2

