

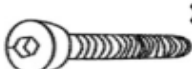


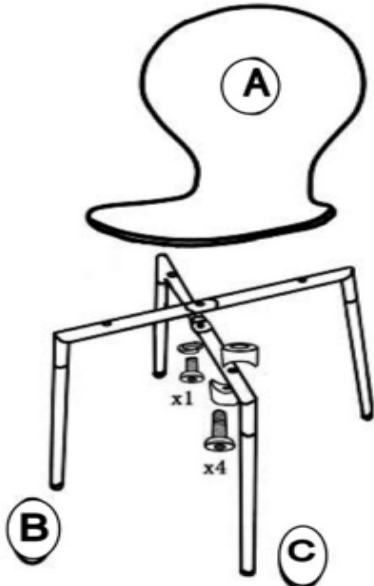


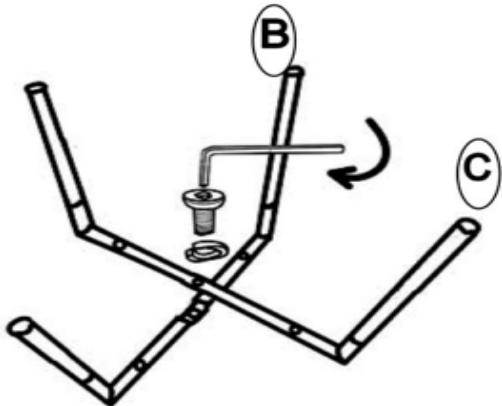
ASSEMBLY INSTRUCTIONS




ITEM	DESCRIPTION	QTY	01	 x1	02	 x1
A	chair Shell	1	03	 x4	04	 x8
B	leg1	1	05	 x1		
C	leg2	1				

1

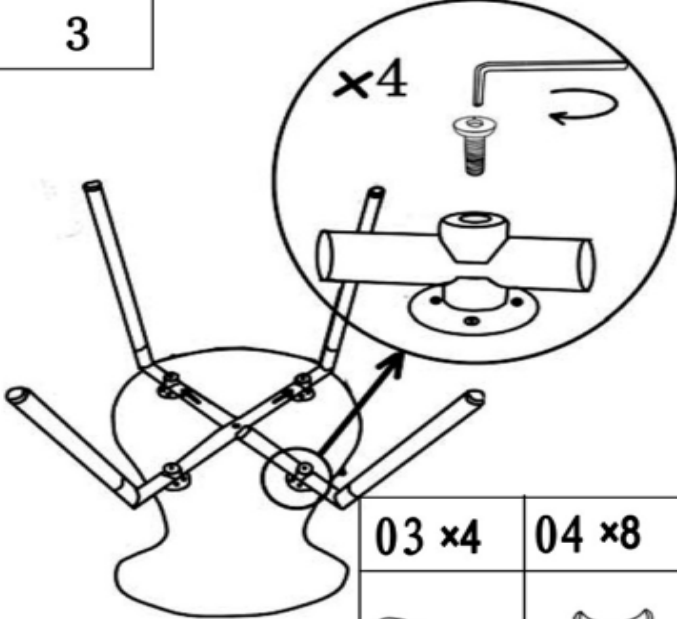





2



01 X1	02 X1	05 X1
		

3



03 x4	04 x8	05 x1
		

4

