

CARE AND MAINTENANCE

Store outdoor furniture indoors or cover well when not in use.



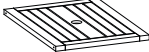

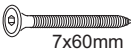




Remove wooden furniture from standing water. Dust regularly with small brush or vacuum

Spills should be taken care of immediately before they harden or stain with a slightly dampened sponge.

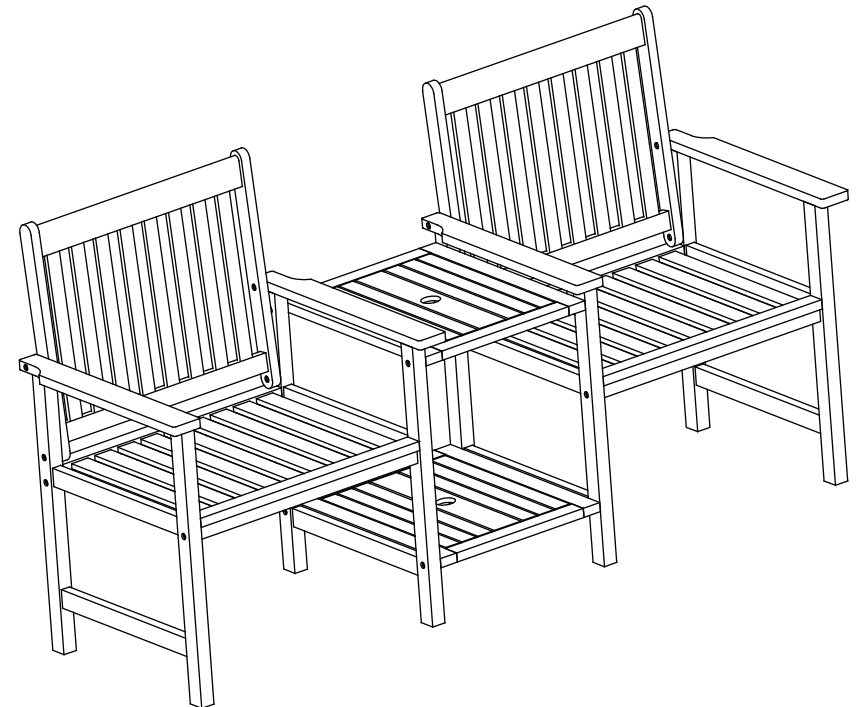
NOTICE

- * Please make sure that you have all parts indicated before you begin assembly of this item
- * This item should be assembled on a soft surface to prevent scratching the finish during assembly
- * This item may require periodic tightening

Part List and Hardware List

PIECE	DESCRIPTION	PICTURE	QUANTITY
A	Leg frame		4X
B	Seat Frame		2X
C	Top table		2X
D	Back frame		2X
E	Screw		16X
H1	Allen bolt -1		4X
H2	Allen bolt -1		4X
H3	Allen key		1X
H4	Allen key		2X

Product Dimensions:65" W x 23.8" D x 35.4" H

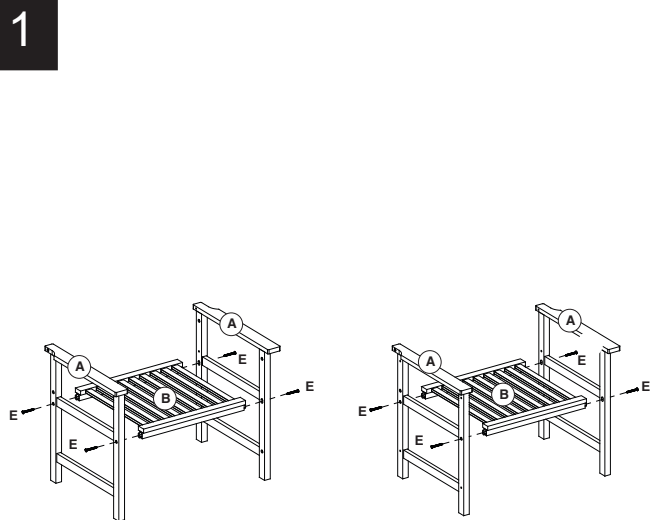


PREPARATION

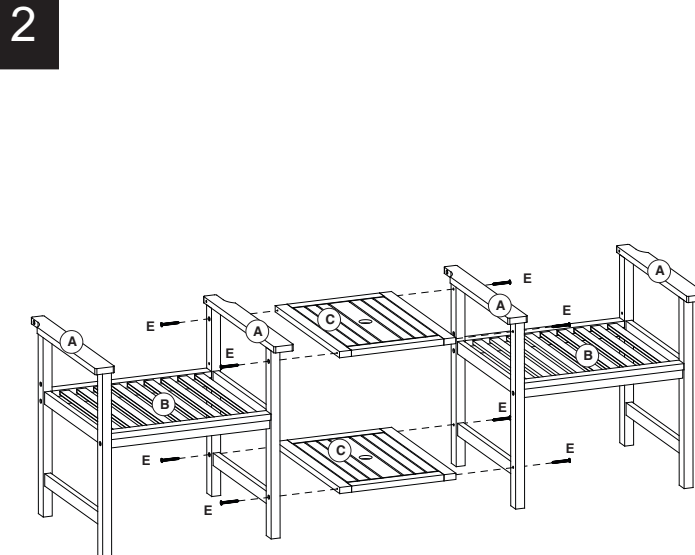
Before beginning assembly of product, make sure all parts are present. Compare parts with package contents list and hardware contents list.
If any part is missing or damaged, do not attempt to assemble the product.

Estimated Assembly Time: 30 minutes.

Tools Required for Assembly (included): Allen Key



Step 1
Leg frame
(E) tighten by (H3)



Step 2
Leg frame (A) attached to (C),(E) tighten by (H3)



Step 3
Leg frame (A) attached to backrest (D),using
(H1),(H2) tighten by (H4)