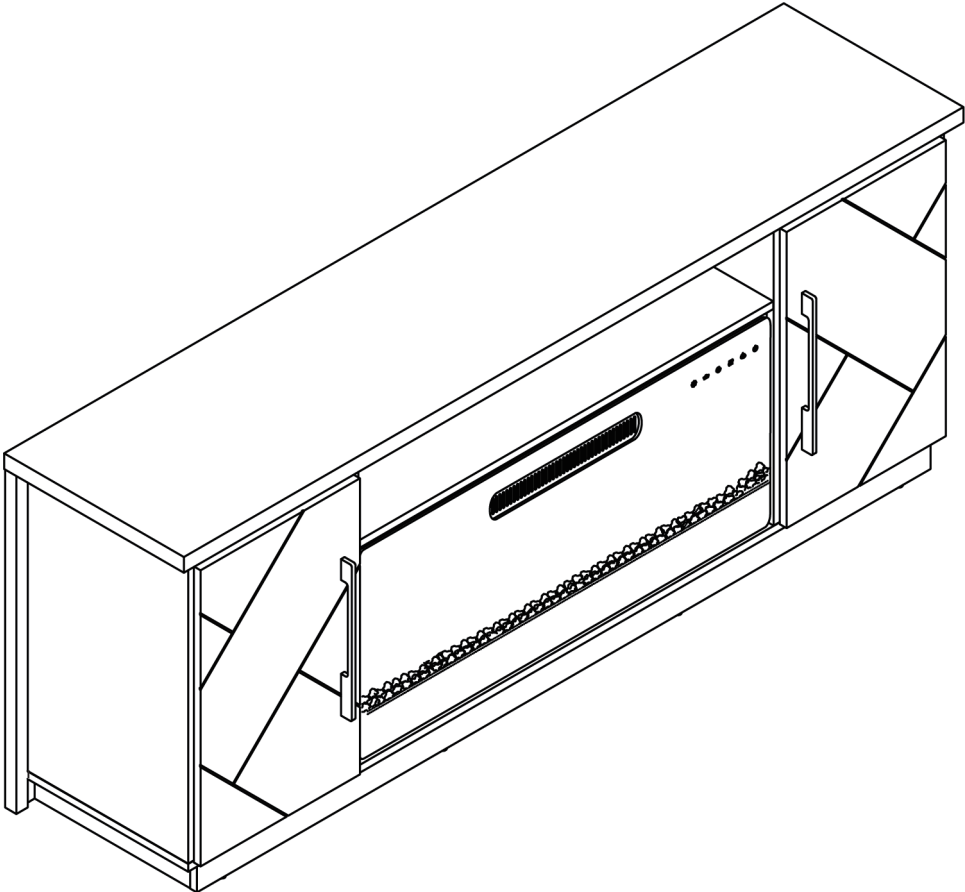


TV Fire Stand



FOLLOW US:	CONTACT INFO:	
		The instruction booklet contains IMPORTANT safety information. Please read it in full and keep it for future reference.

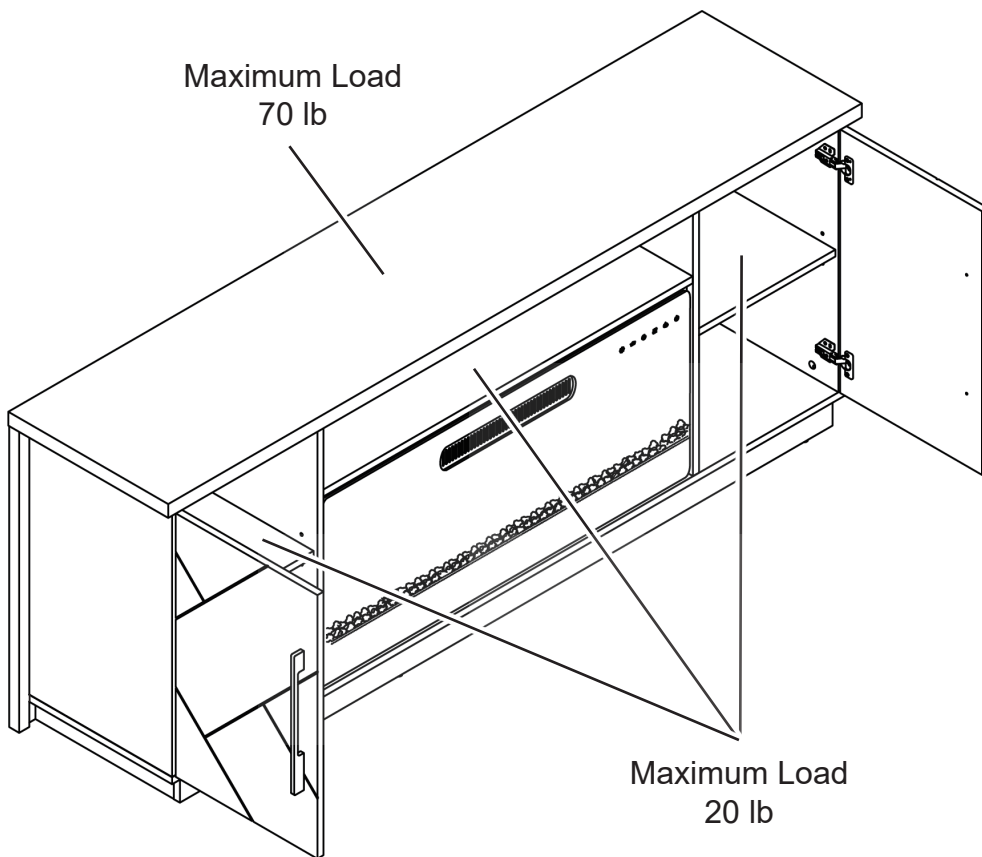


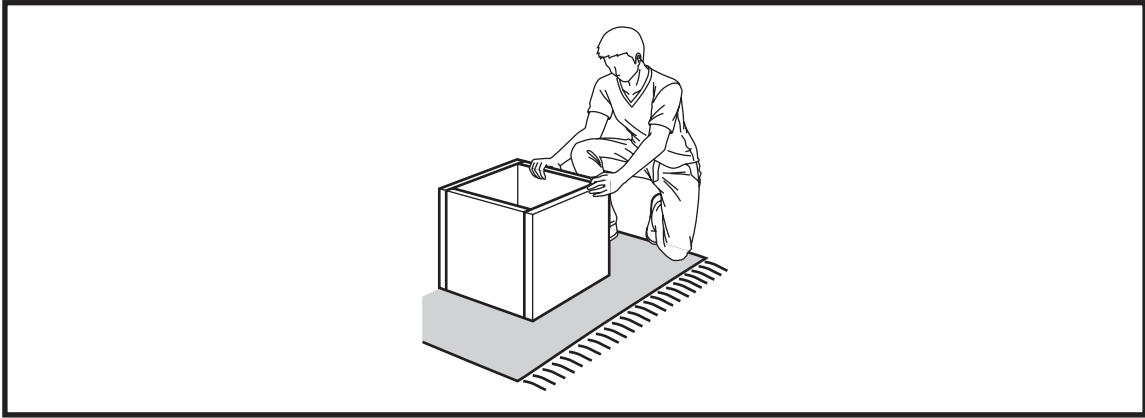
Estimated time for assembly:

90 mins



Weight limitations are as follows:

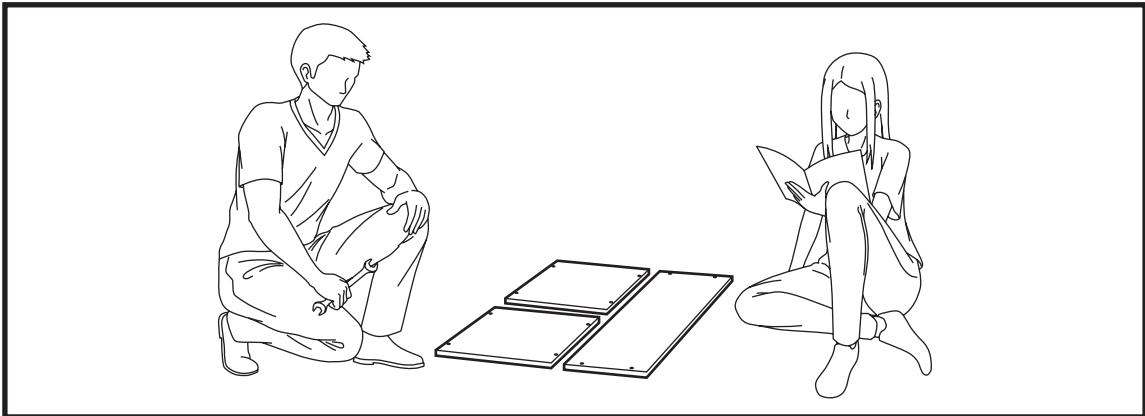




Assemble the furniture on an empty carton, carpet, or rug to prevent scratches or damage.

For safety, please keep pets and children away from the assembly area.

Ensure the product is fully assembled before use. If you are missing any hardware or products, do not use it until you have restored the missing parts.



This furniture requires 2 people for assembly.

Read this instruction manual prior to assembly to familiarize yourself with the various steps.

Lay out all components and hardware separately on a flat surface and make sure that no parts are missing or damaged before assembly. Do not destroy or discard any packaging until you are certain that you have all the necessary parts for assembly.

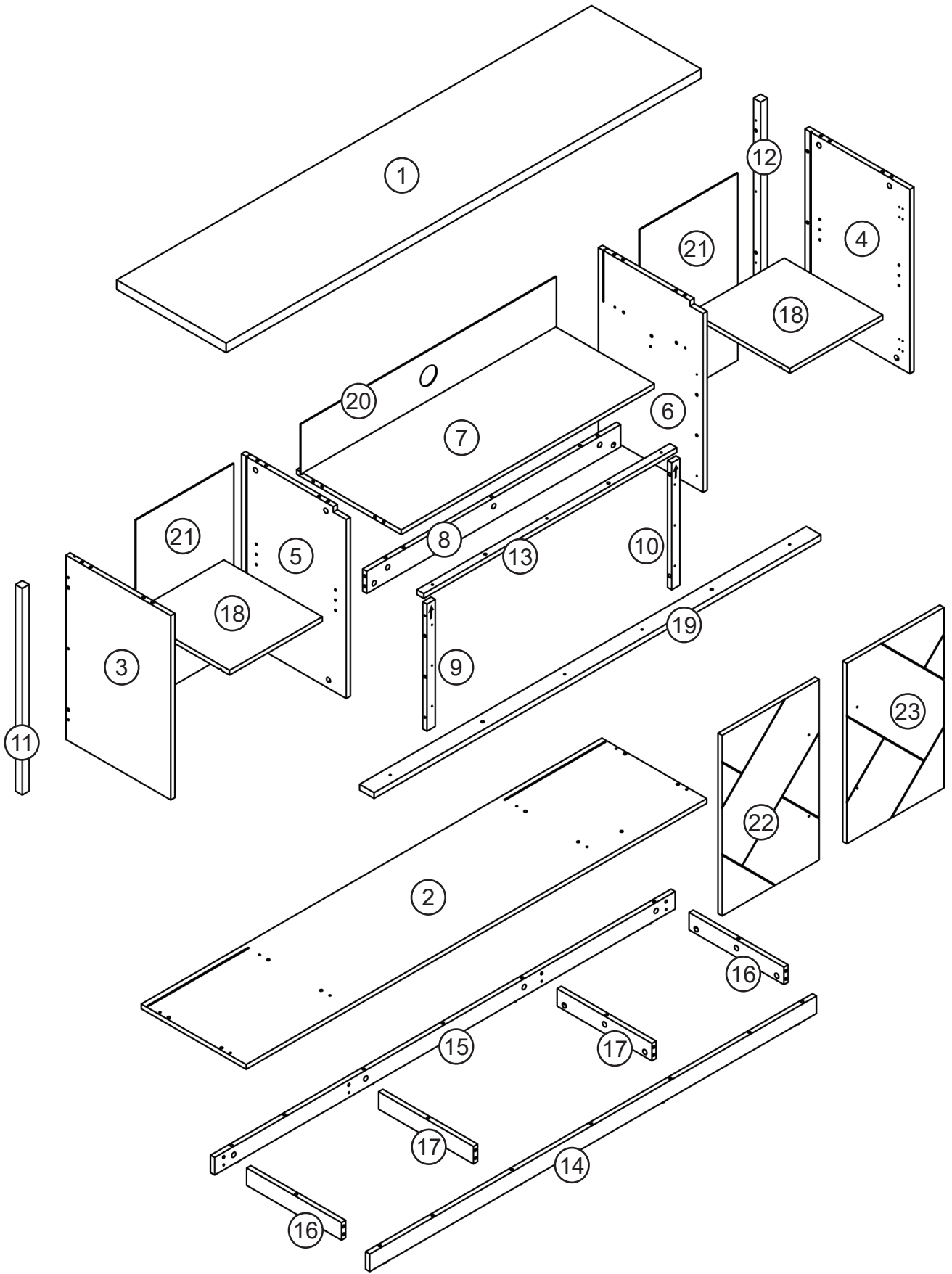
Hand tight all hardware and careful not to over tighten to avoid damaging the product.

CAUTION

There are small components used in the construction of this product. Loose items should be kept away from pets and children to avoid a choking hazard.

Keep all plastic bags and packaging film away from pets and children to avoid suffocation.

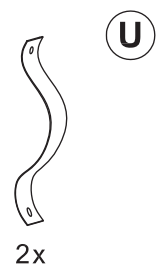
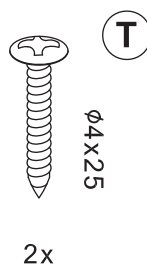
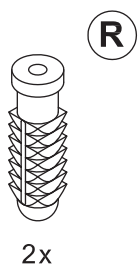
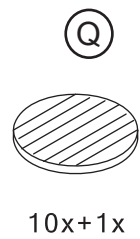
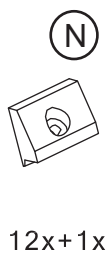
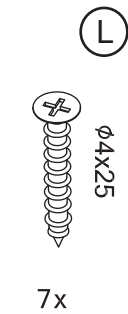
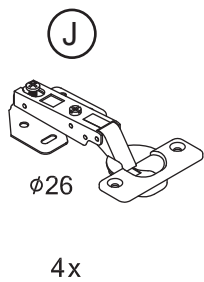
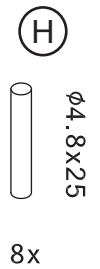
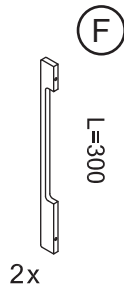
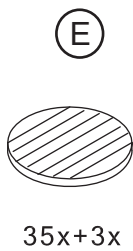
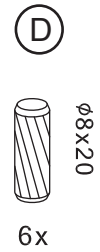
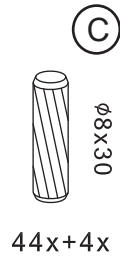
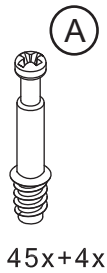
PACKAGE CONTENTS



PACKAGE CONTENTS

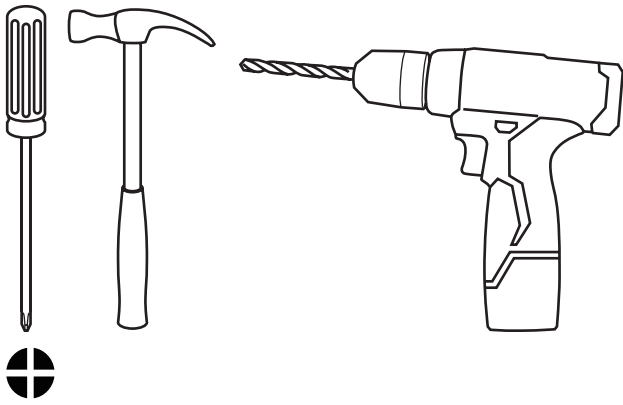
CODE	DESCRIPTION	QTY
1	Top Panel	1
2	Bottom Panel	1
3	Left Lateral Panel	1
4	Right Lateral Panel	1
5	Left Medial Panel	1
6	Right Medial Panel	1
7	Center panel	1
8	Center Crossbar	1
9	Left Surround Strip	1
10	Right Surround Strip	1
11	Left Support Strip	1
12	Right Support Strip	1
13	Top Surround Strip	1
14	Front Base Panel	1
15	Back Base Panel	1
16	Lateral Base Panel	2
17	Medial Base Panel	2
18	Storage Shelf Panel	2
19	Decoration Crossbar	1
20	Center Back Panel	1
21	Side Back Panel	2
22	Left Cabinet Door	1
23	Right Cabinet Door	1

PACKAGE CONTENTS



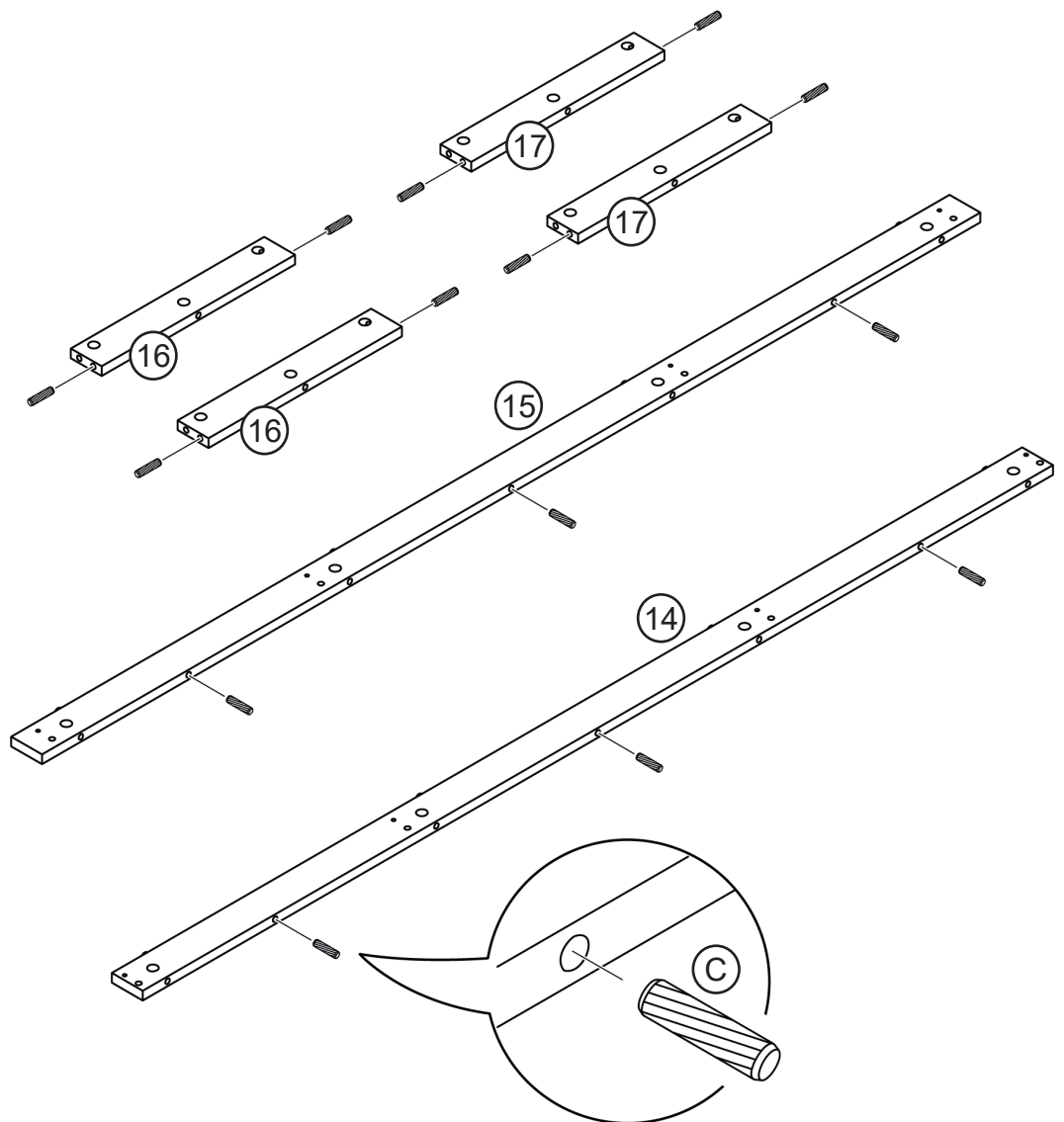
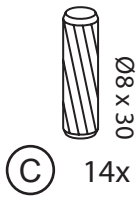
Install all hardware perpendicular to the opening.

Required tools for assembly (Not included)



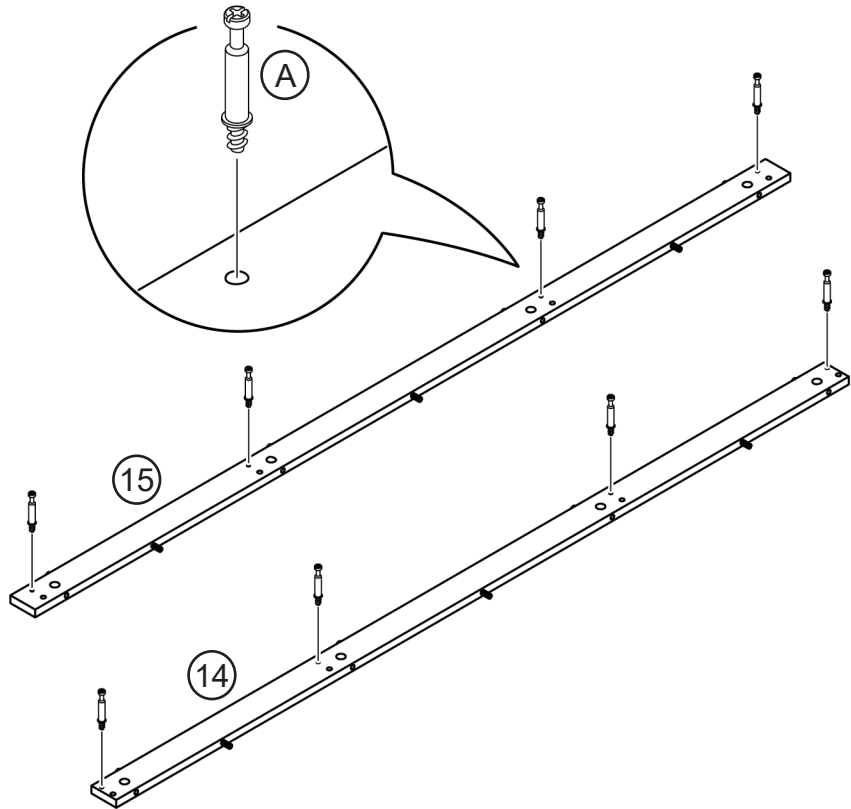
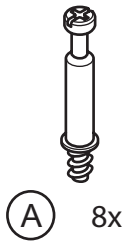
1

Insert wood dowels into the base panels (14, 15, 16, 17).



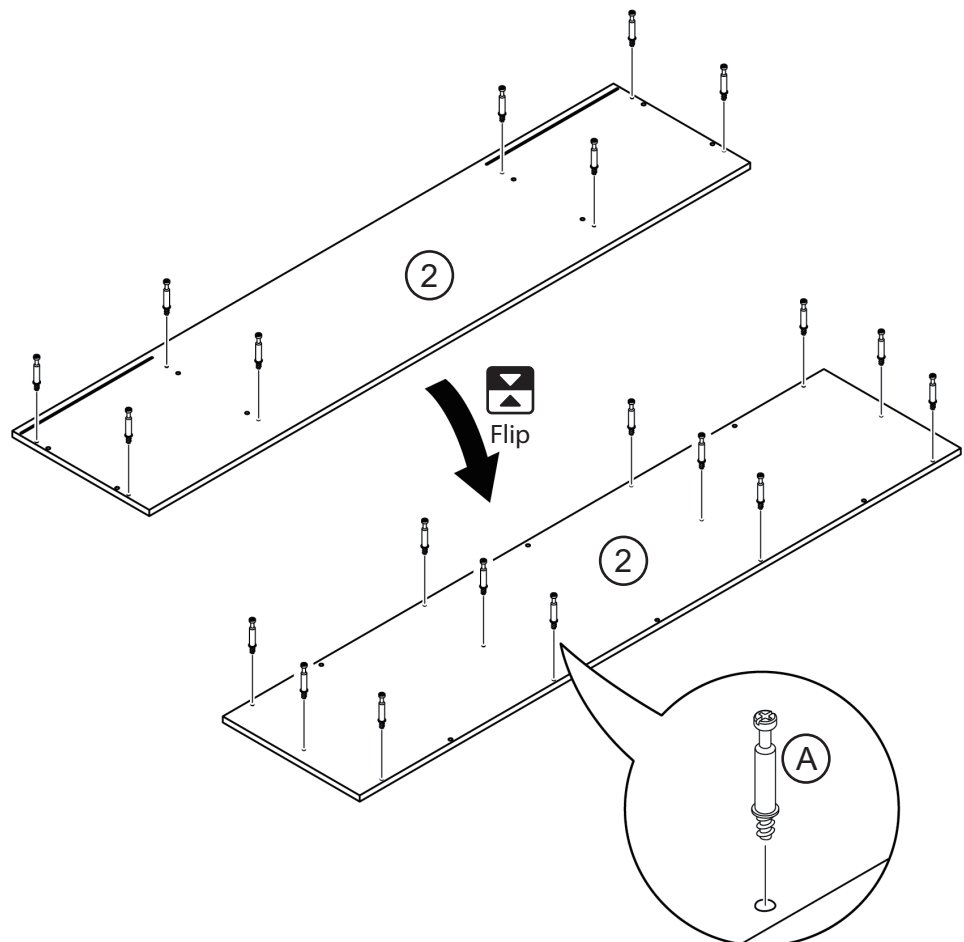
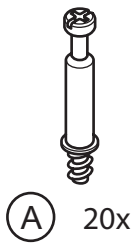
2

Attach cam bolts to the front and back base panels (14, 15).



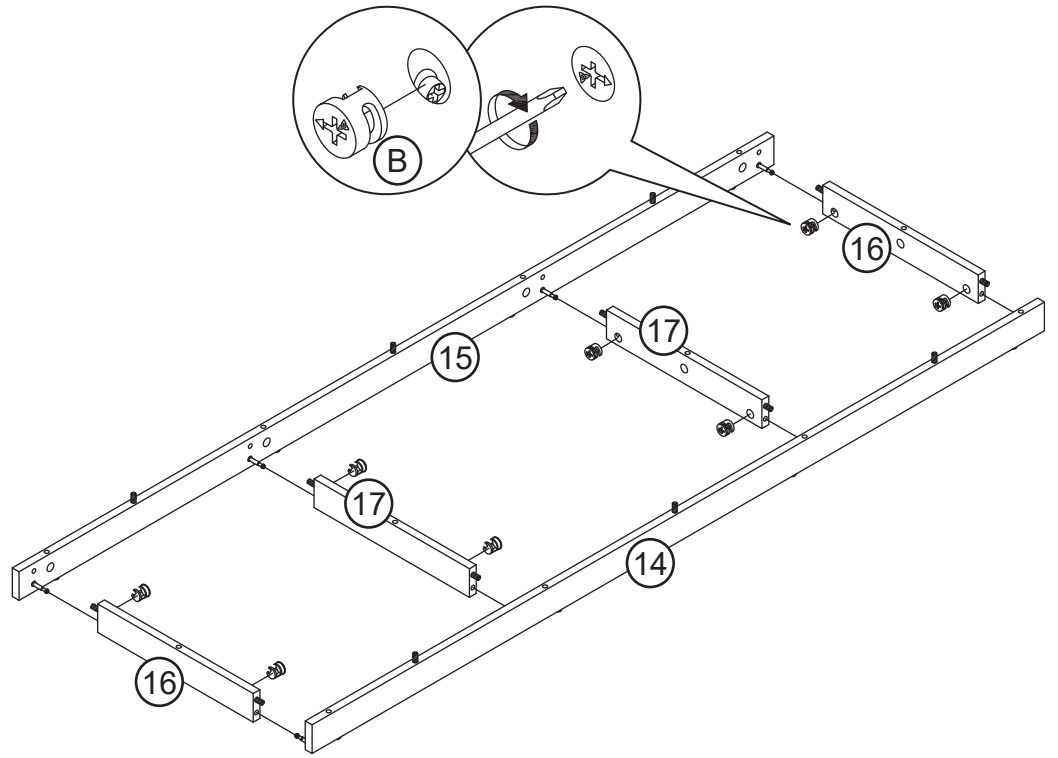
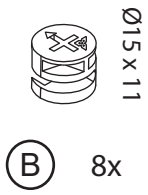
3

Attach cam bolts to both sides of the bottom panel (2).



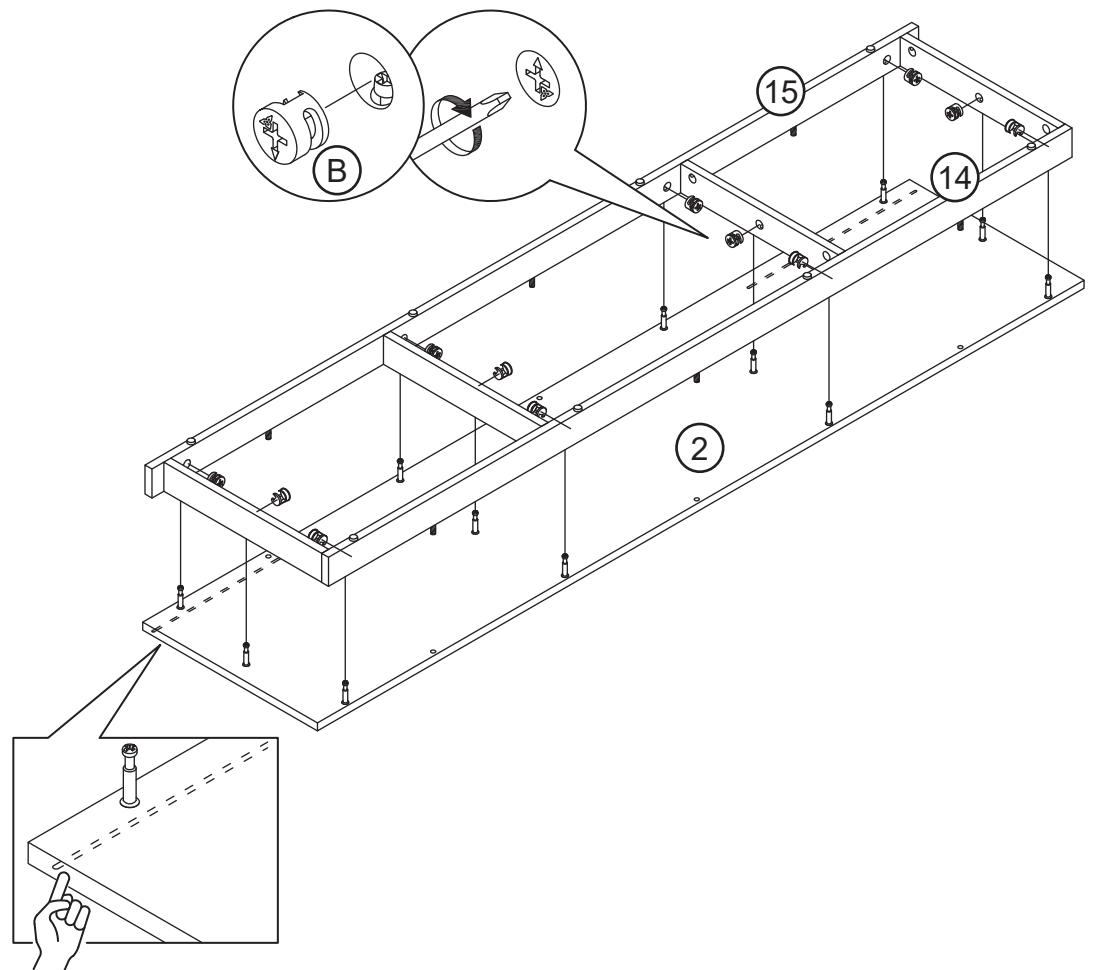
4

Assemble the lateral and medial base panels (16, 17) between the front and back base panels (14, 15).

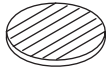


5

Assemble the base to the bottom panel (2).

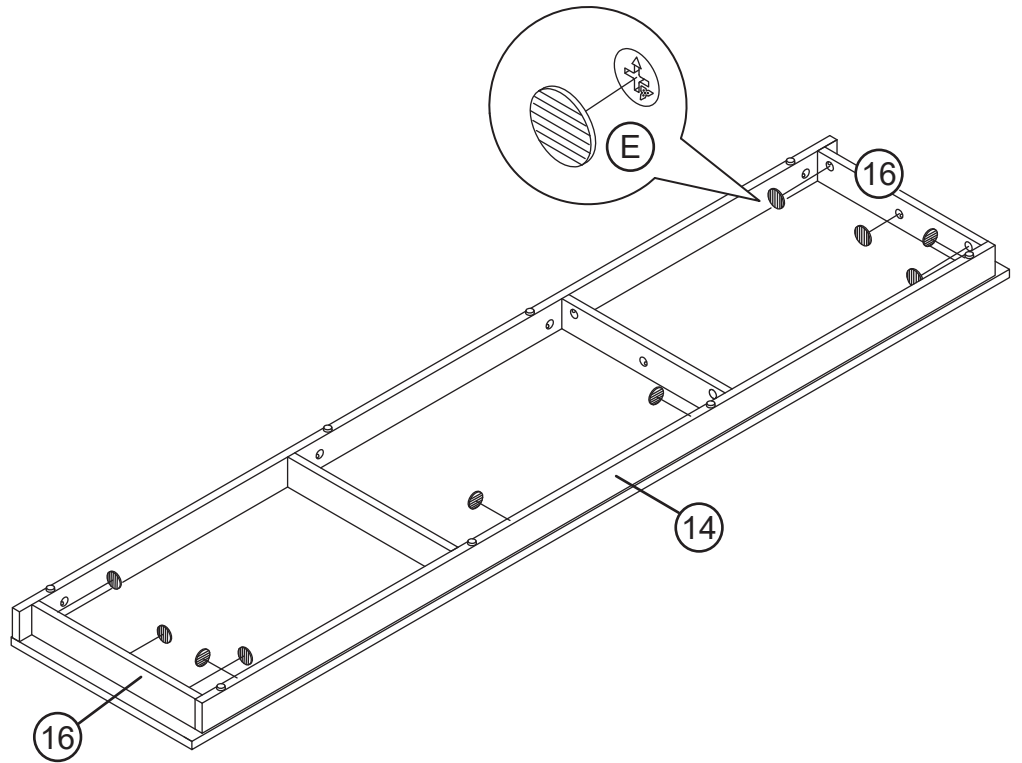


6

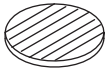


ⓔ 10x

Attach decorative covers on cam locks.

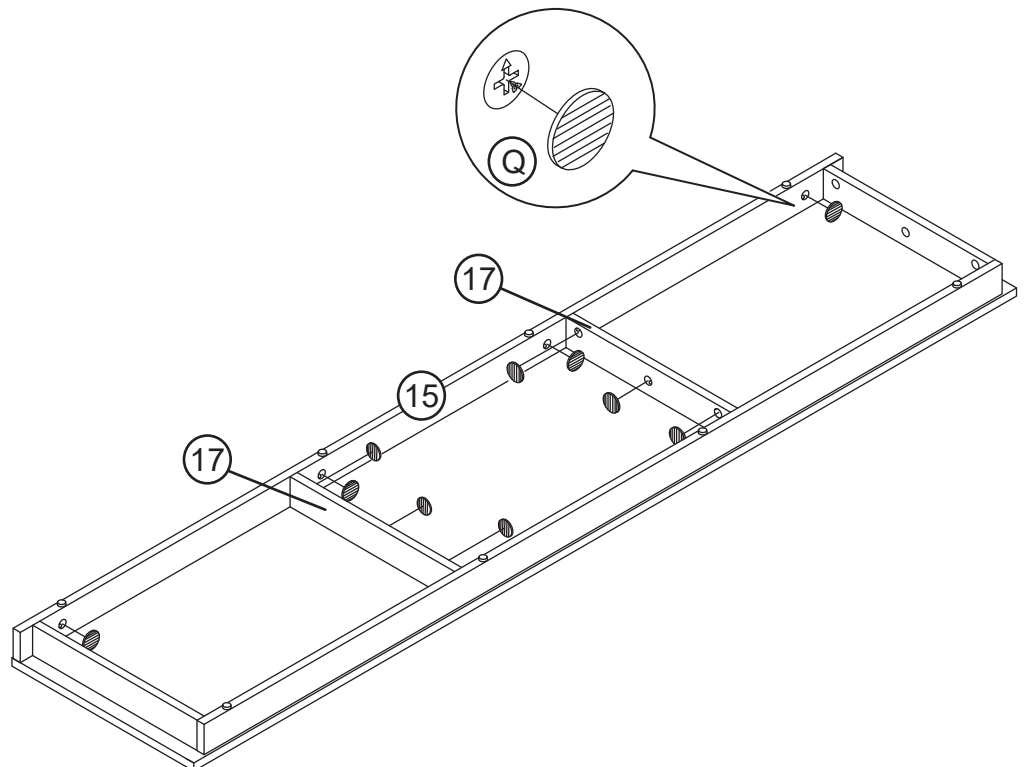


7



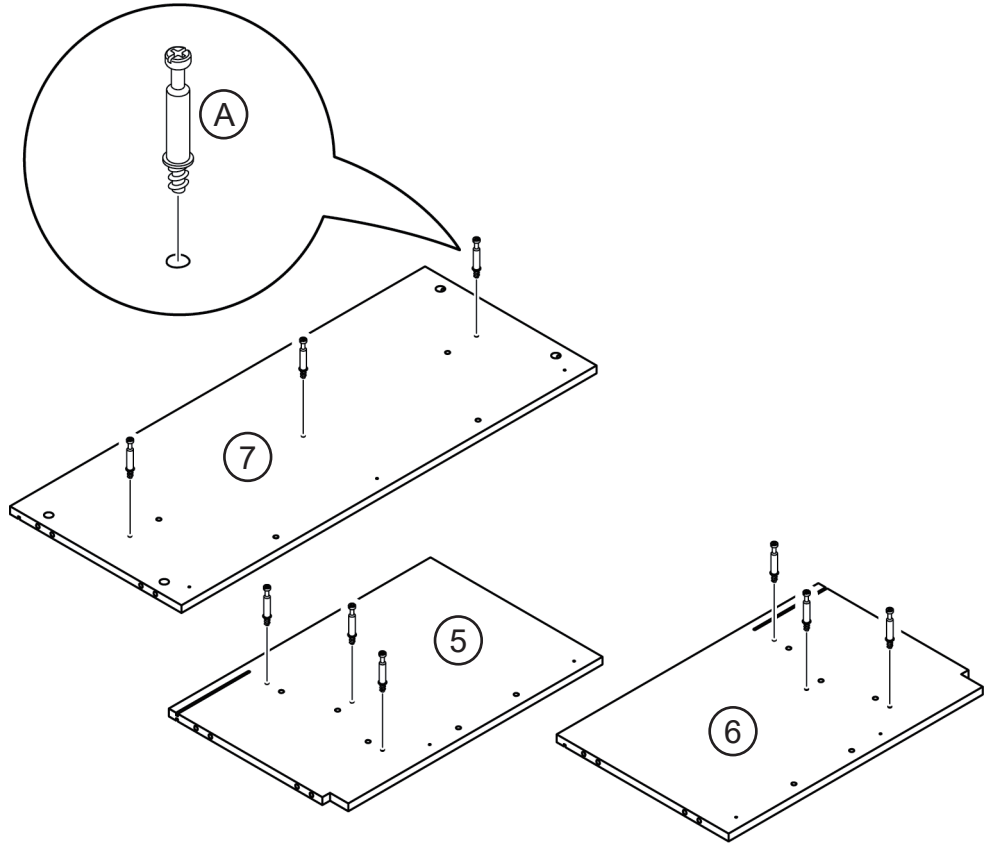
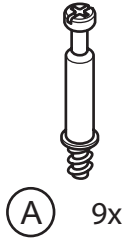
ⓚ 10x

Attach decorative covers on cam locks.



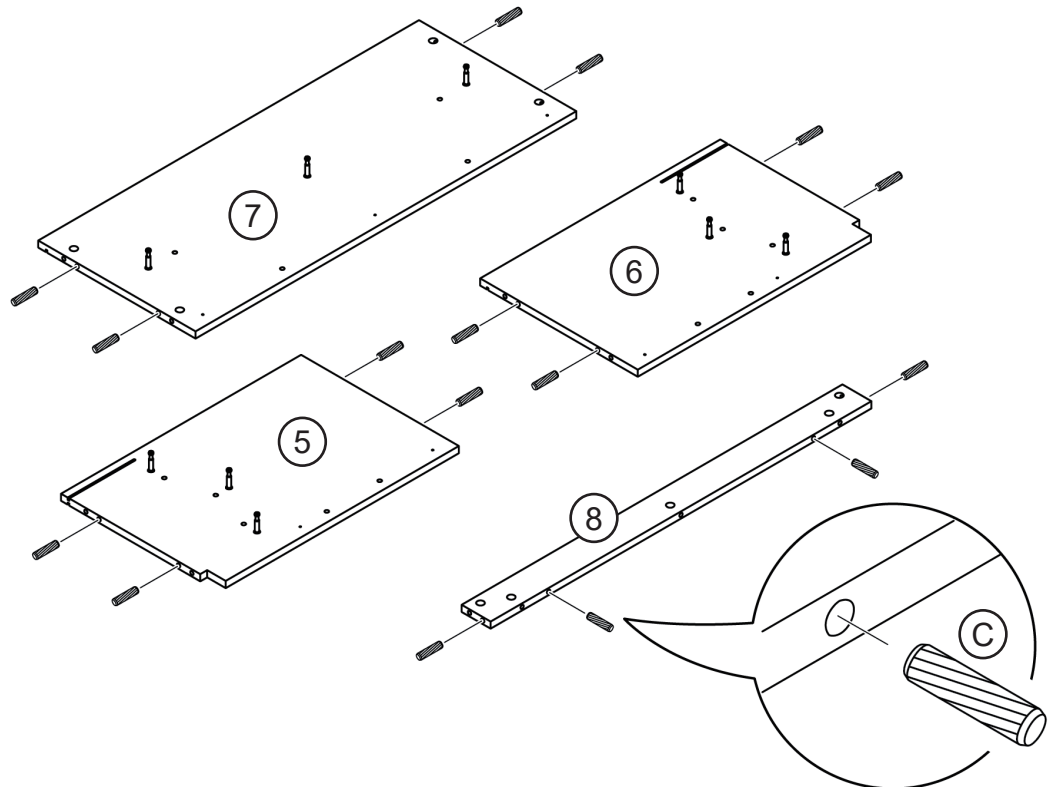
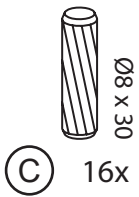
8

Attach cam bolts to the medial panels (5, 6) and center panel (7).



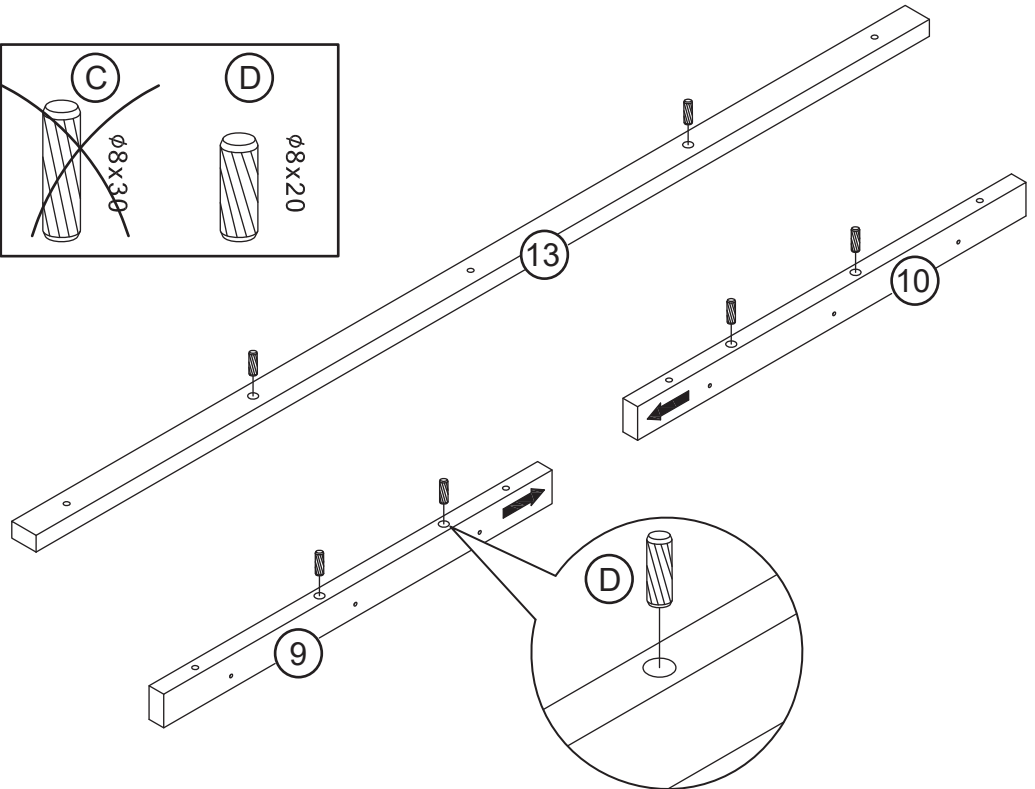
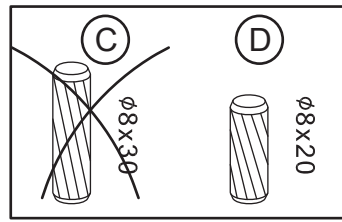
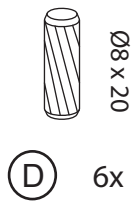
9

Insert wood dowels to the medial panels (5, 6), center panel (7) and center crossbar (8).



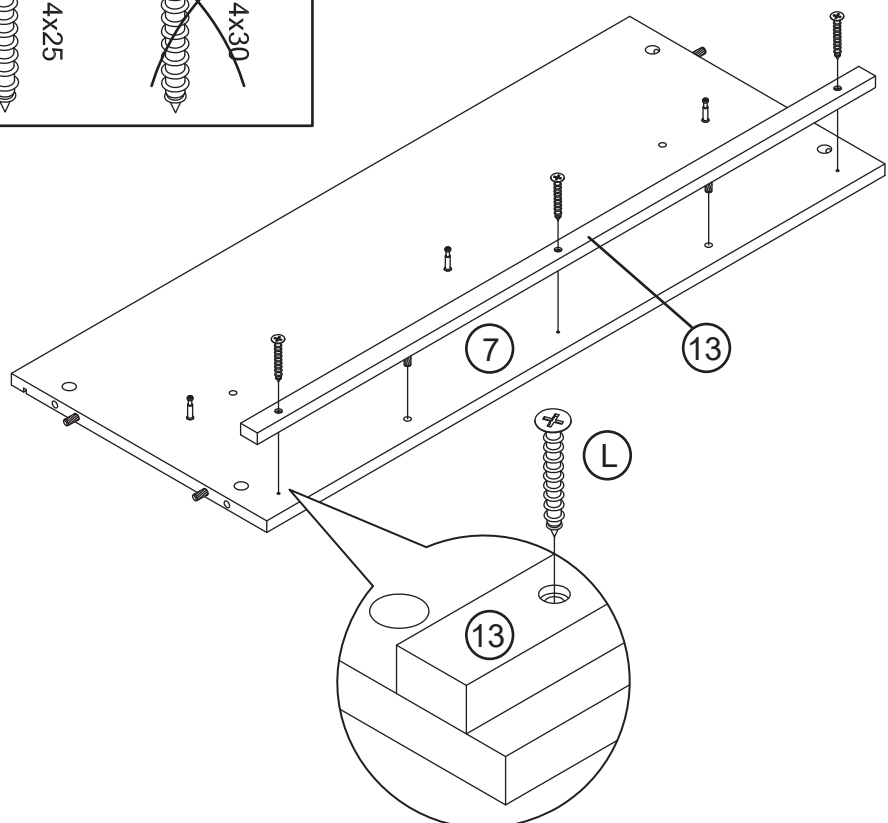
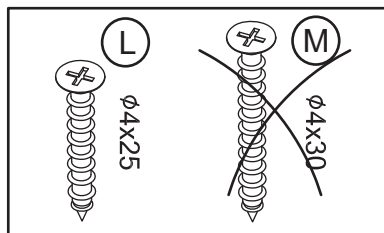
10

Insert wood dowels to the top surround strip (13) and support strips (9,10).




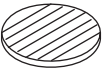
11

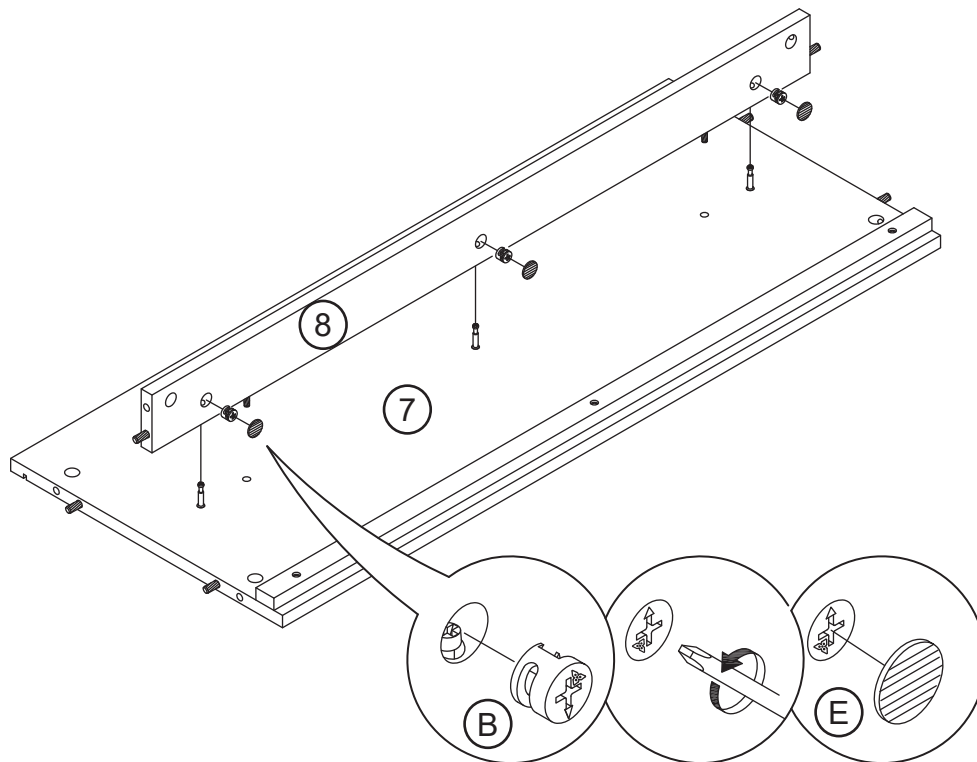
Assemble the top surround strip (13) underneath the center panel (7).



12


Assemble the center crossbar (8) underneath the center panel (7).

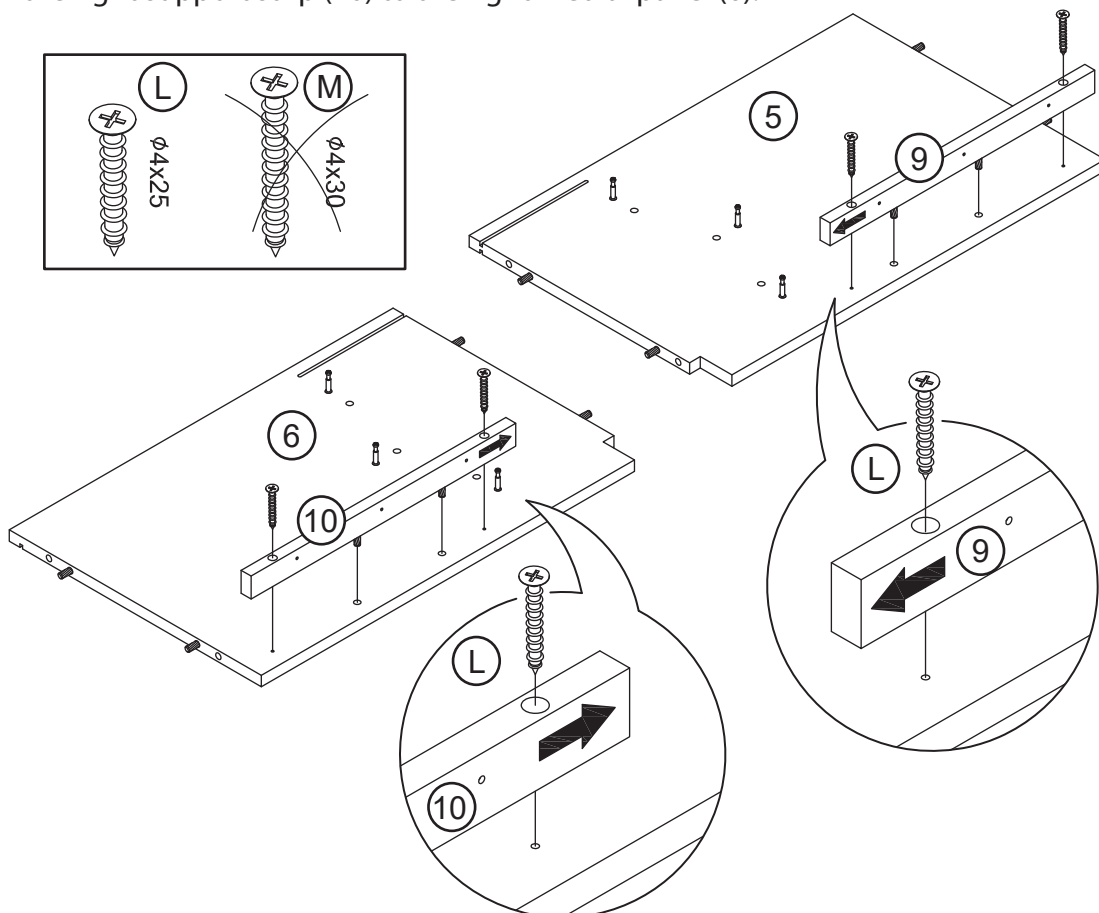
-  $\varnothing 15 \times 11$
- (B)** 3x
- 
- (E)** 3x



13

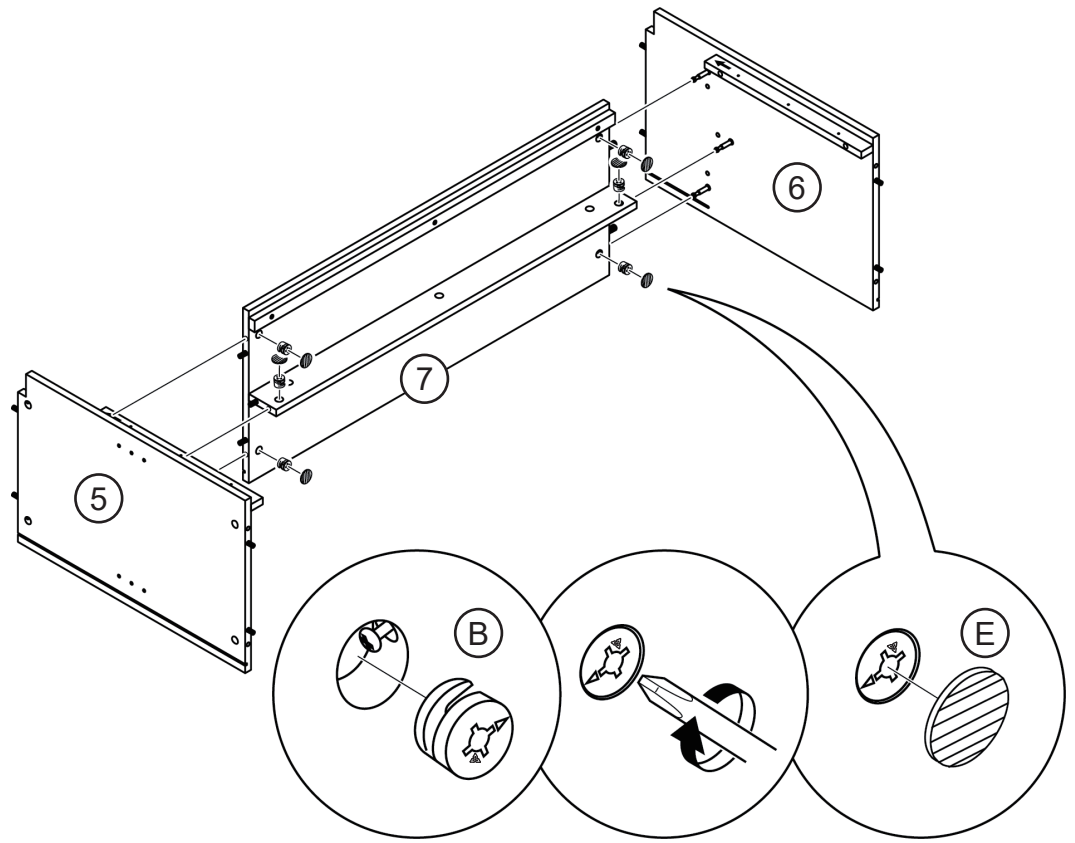
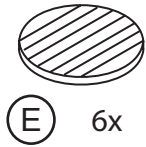
Assemble the left support strip (9) to the left medial panel (5), then assemble the right support strip (10) to the right medial panel (6).

-  $\varnothing 4 \times 25$
- (L)** 4x



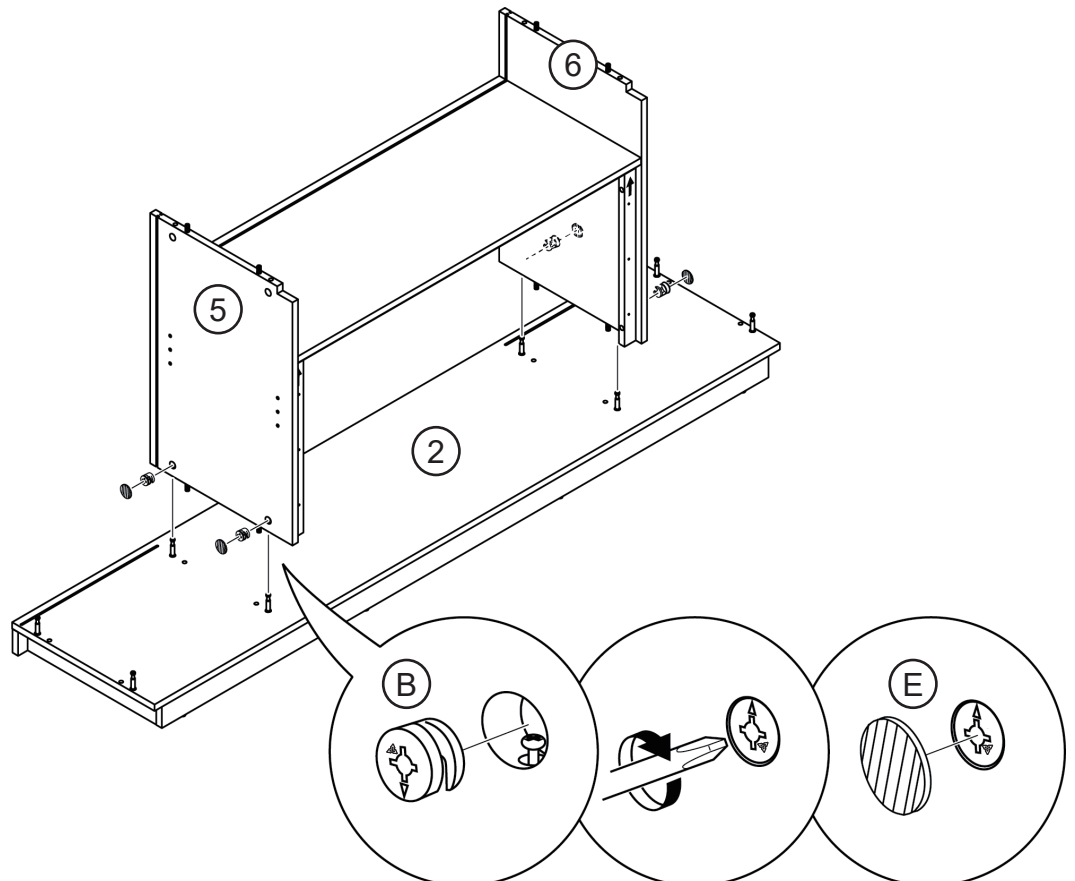
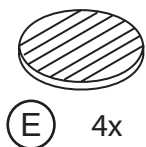
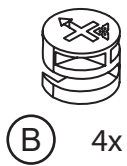
14

Assemble the center panel (7) between the medial panels (5, 6).



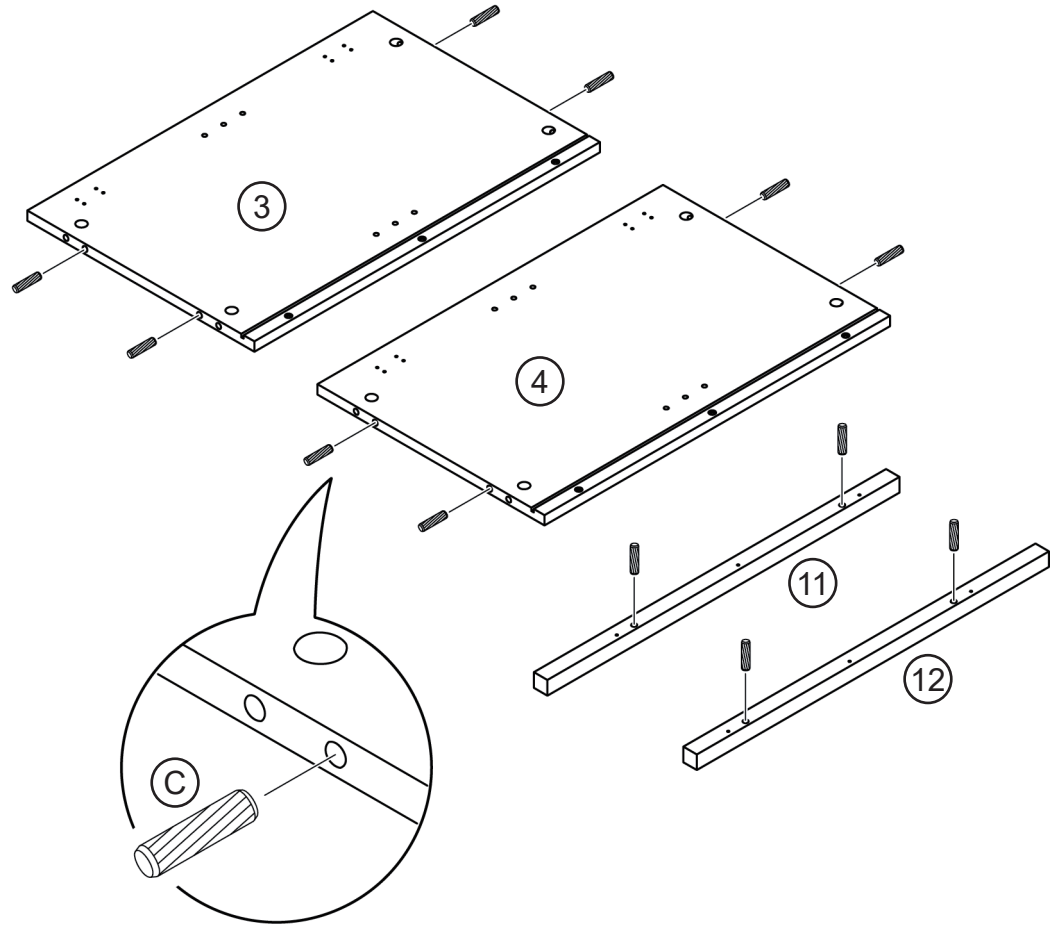
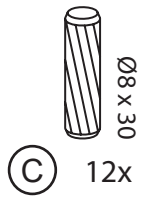
15

Assemble the medial panels (5, 6) on top of the bottom panel (2).



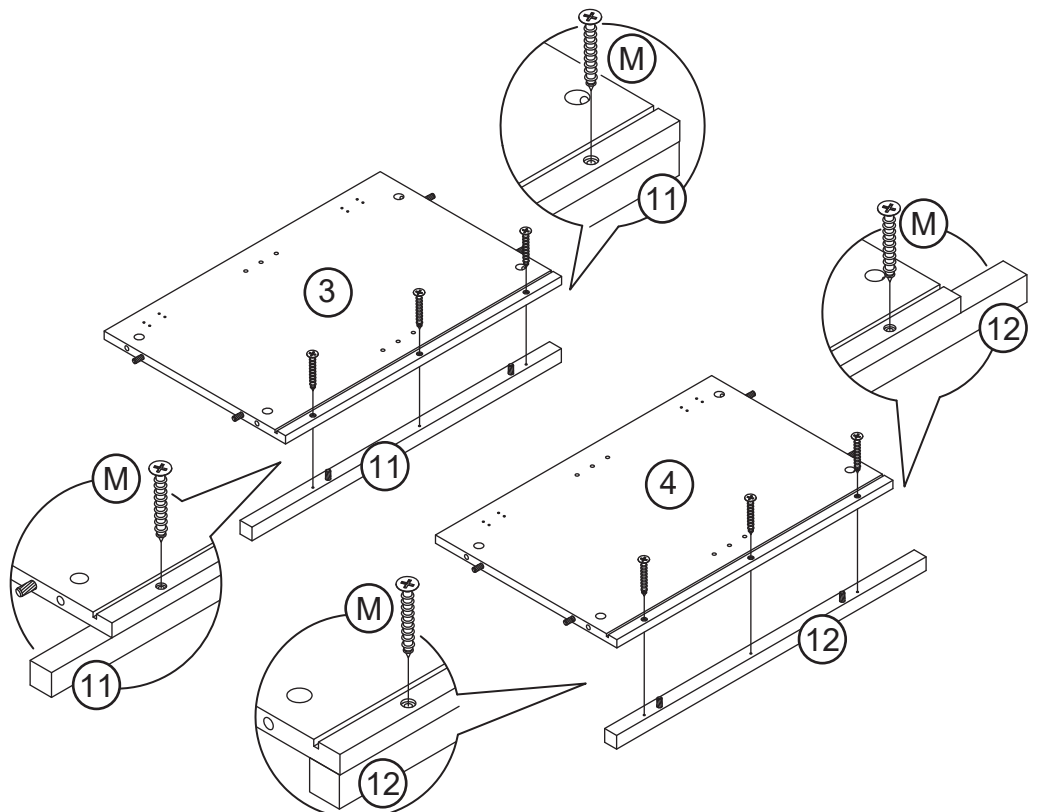
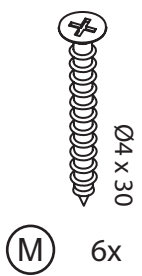
16

Insert wood dowels to the lateral panels (3, 4) and support strips (11, 12).



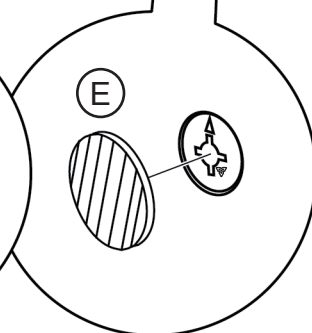
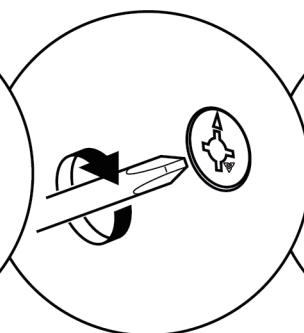
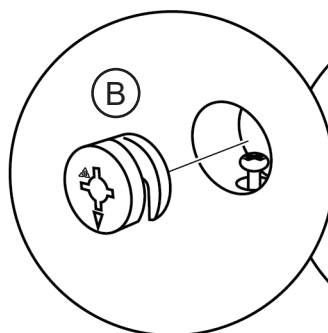
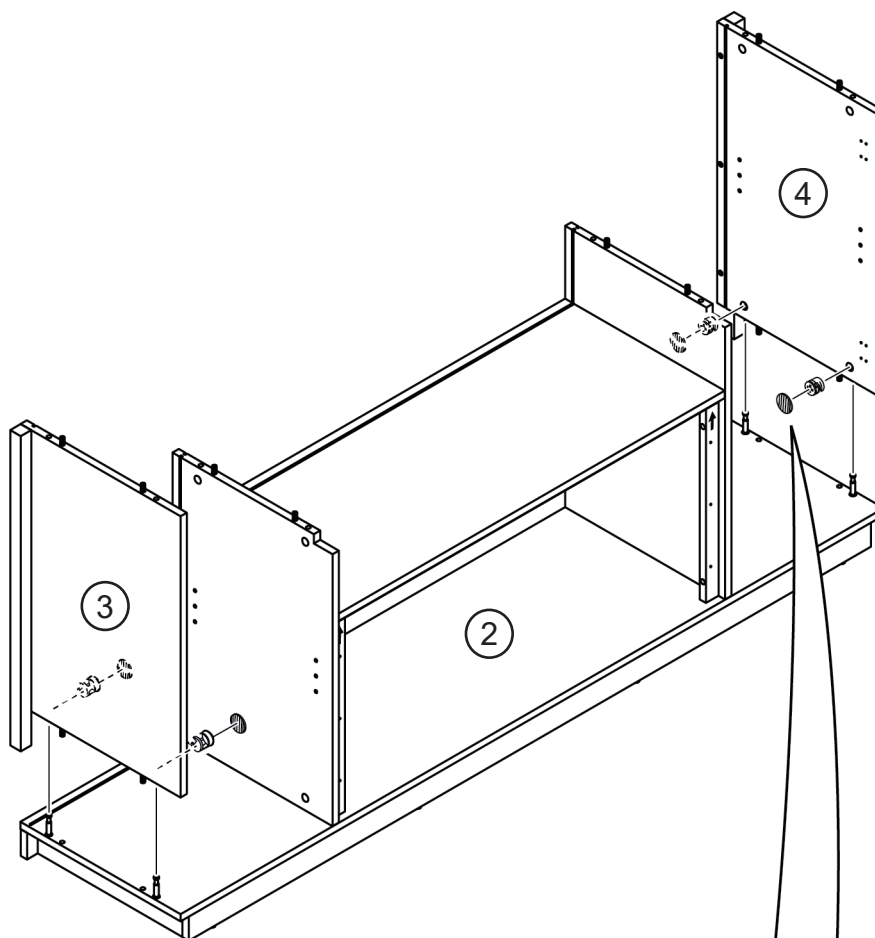
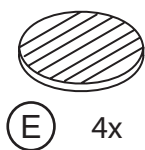
17

Assemble the left support strip (11) to the left lateral panel (3), then assemble the right support strip (12) to the right lateral panel (4).



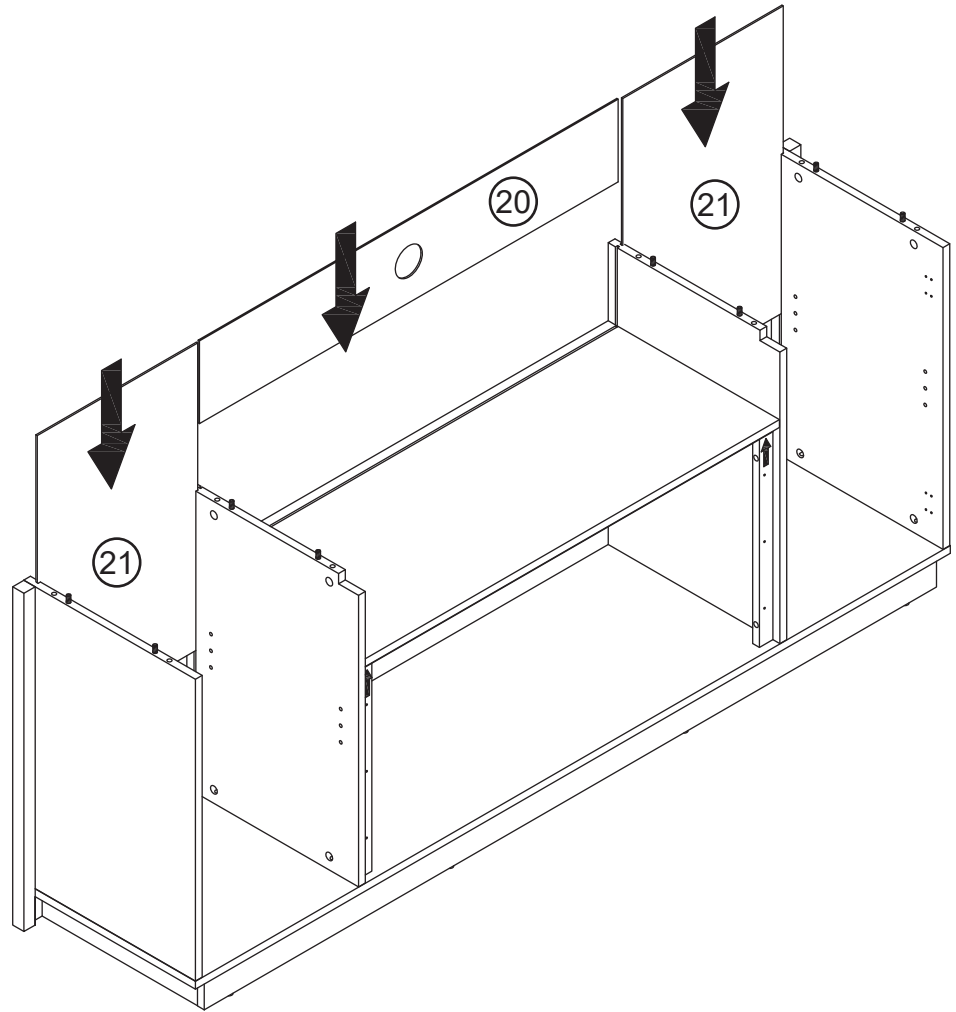
18

Assemble the lateral panels (3, 4) on top of the bottom panel (2).



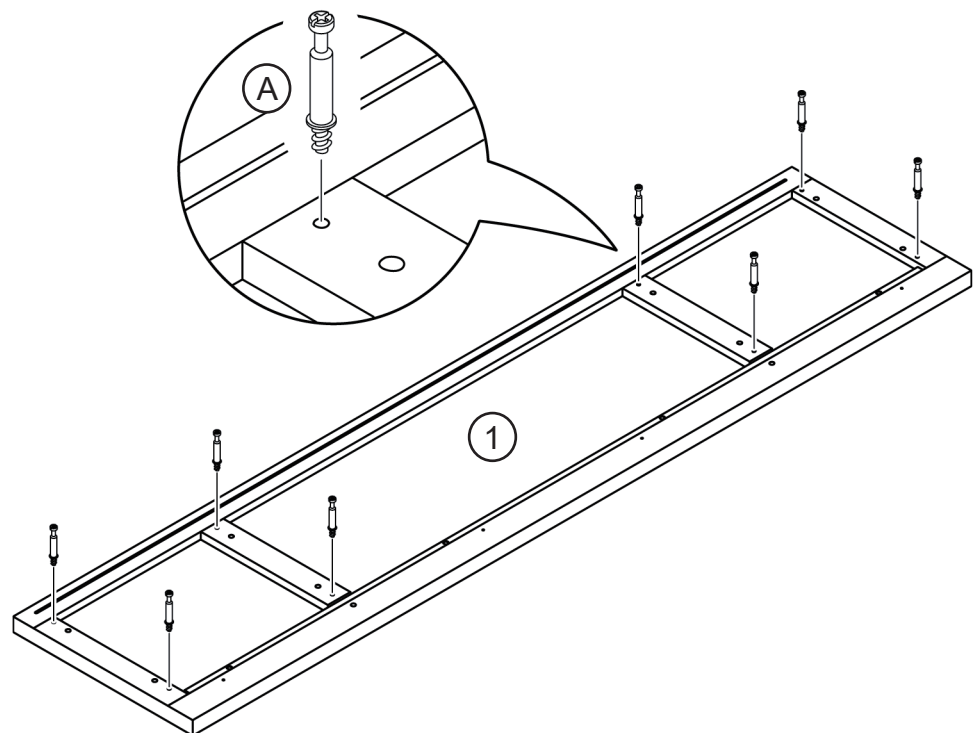
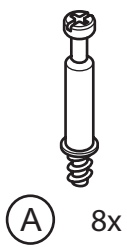
19

Slide back panels (20, 21) to the back of the stand assembly.



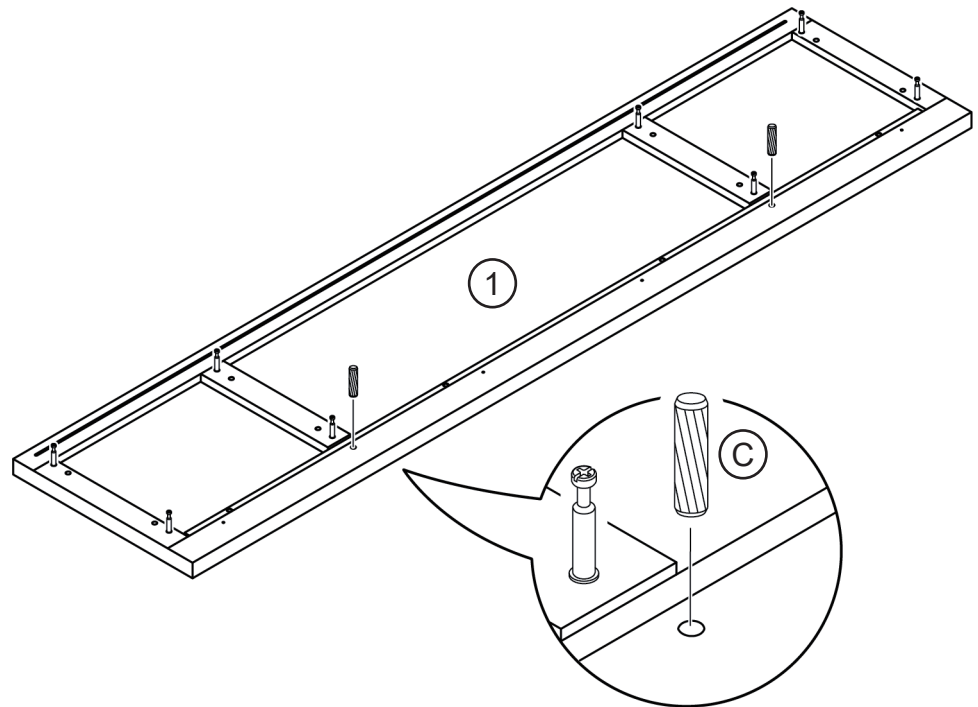
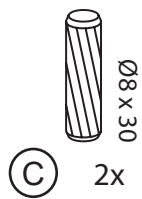
20

Attach cam bolts to the top panel (1).



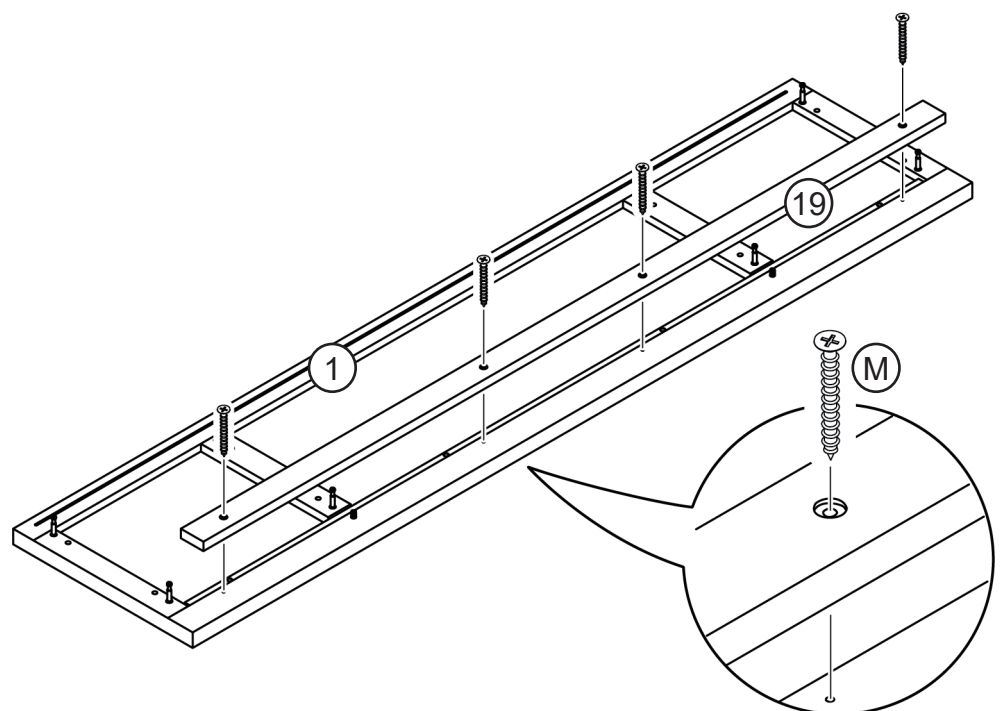
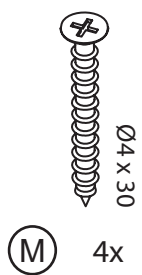
21

Insert wood dowels to the top panel (1).



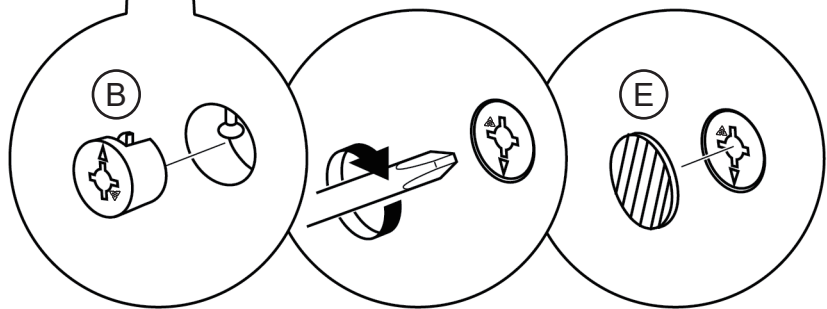
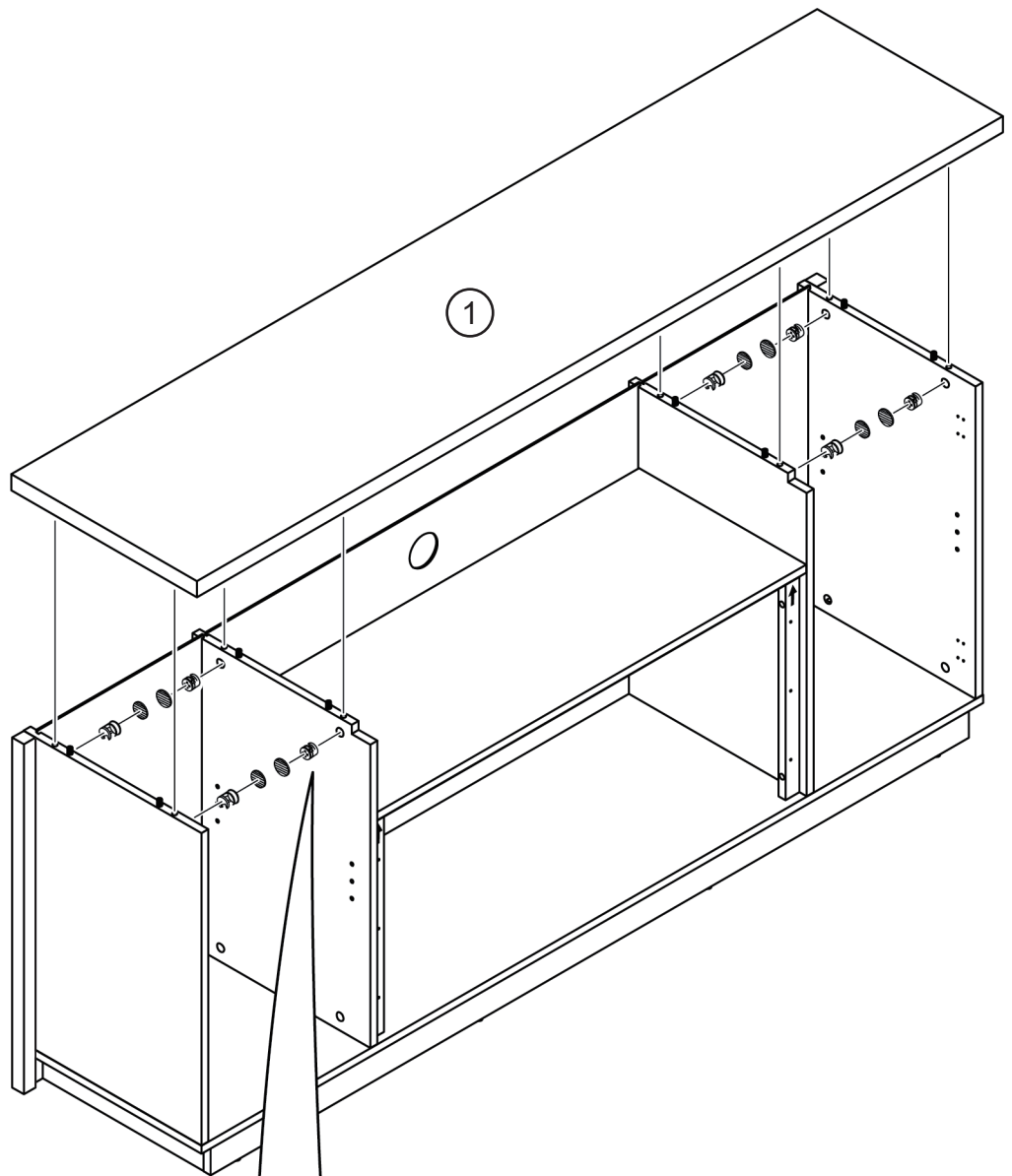
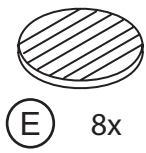
22

Assemble the decoration crossbar (19) to the top panel (1).



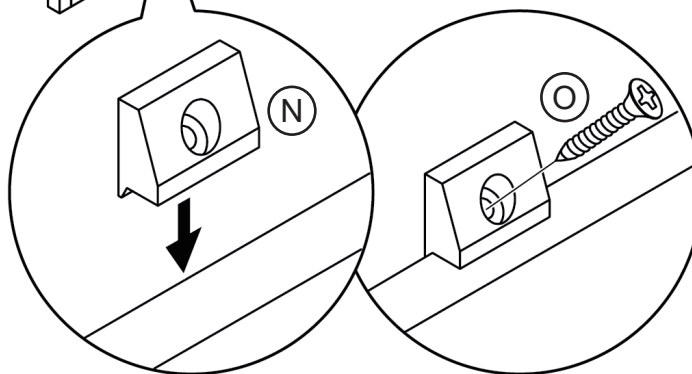
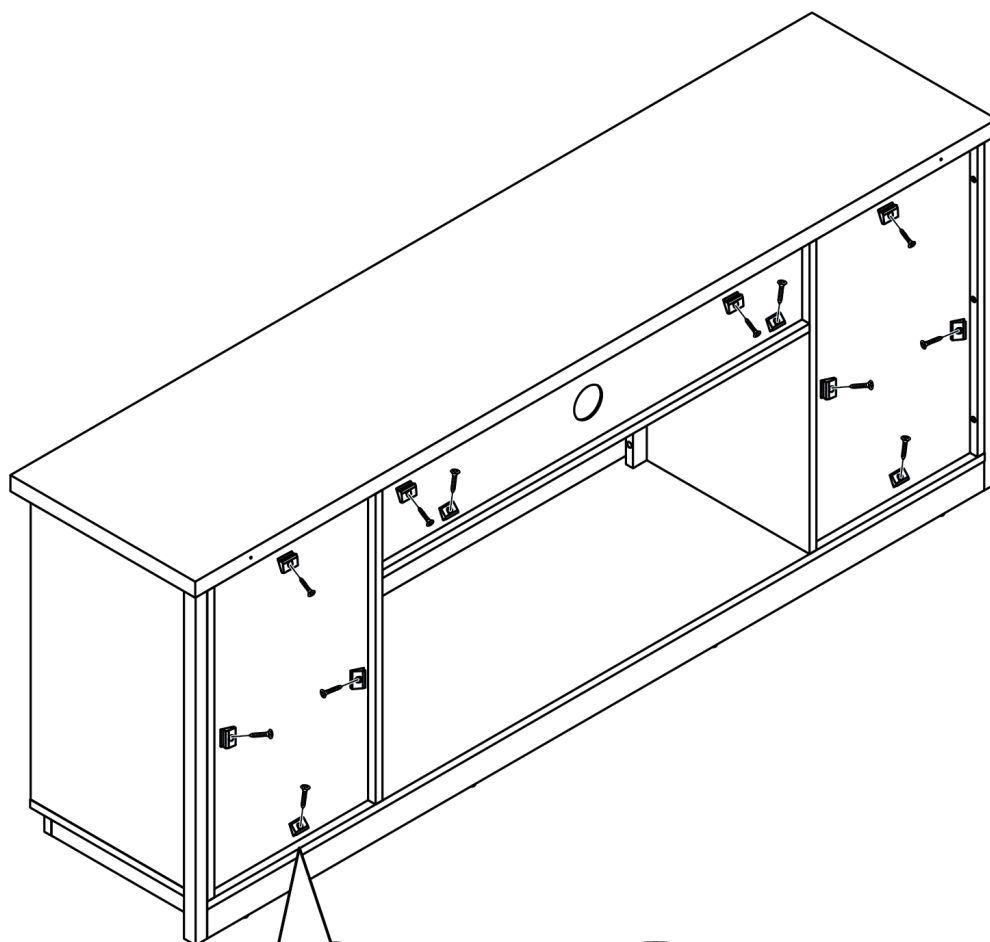
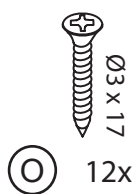
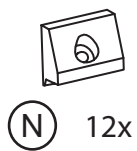
23

Assemble the top panel (1) on top of the stand assembly.



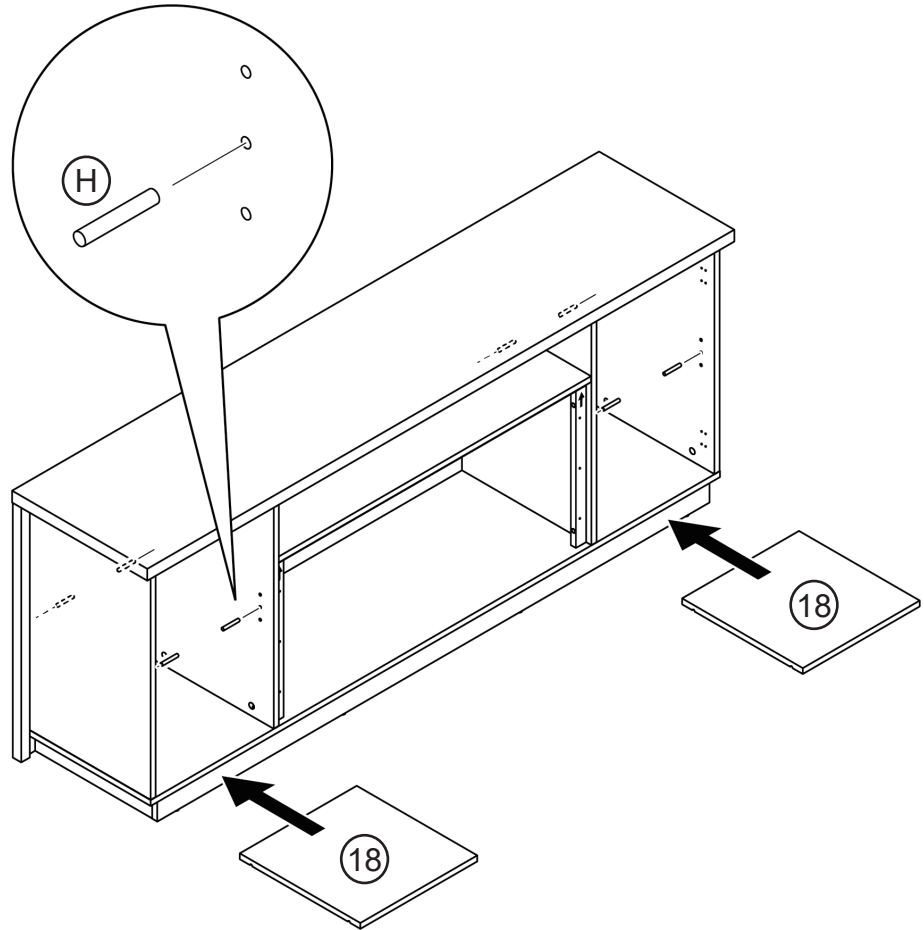
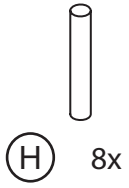
24

Secure the back panels in place.



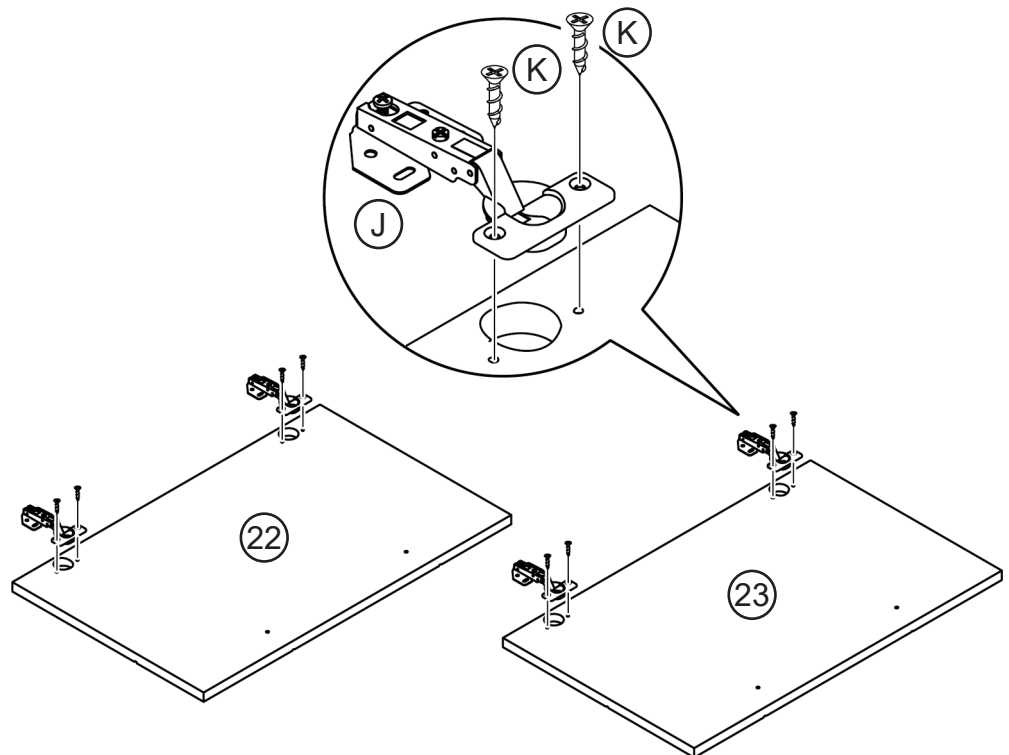
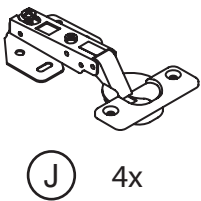
25

Insert shelf pegs into the stand and place storage shelf panels onto the pegs.



26

Attach door hinges to the cabinet doors (22, 23).

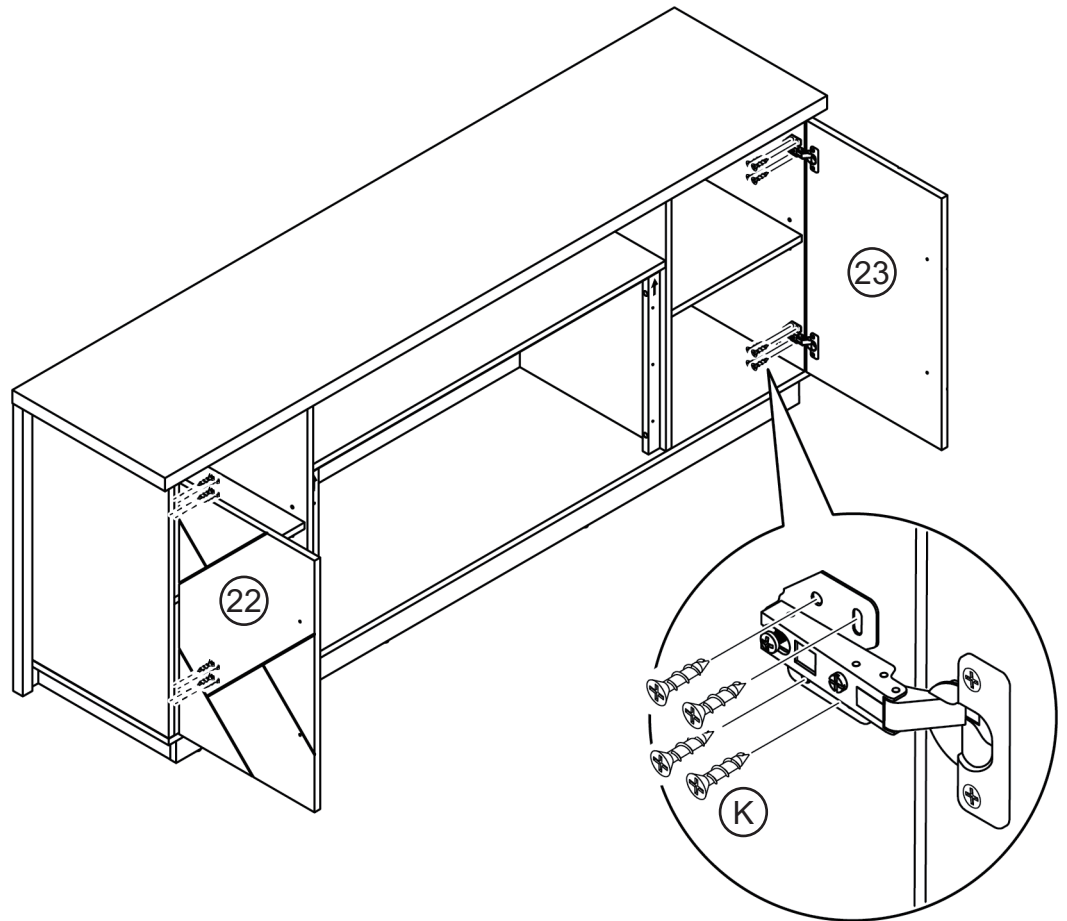


27

Attach cabinet doors to the stand.



(K) 16x



28

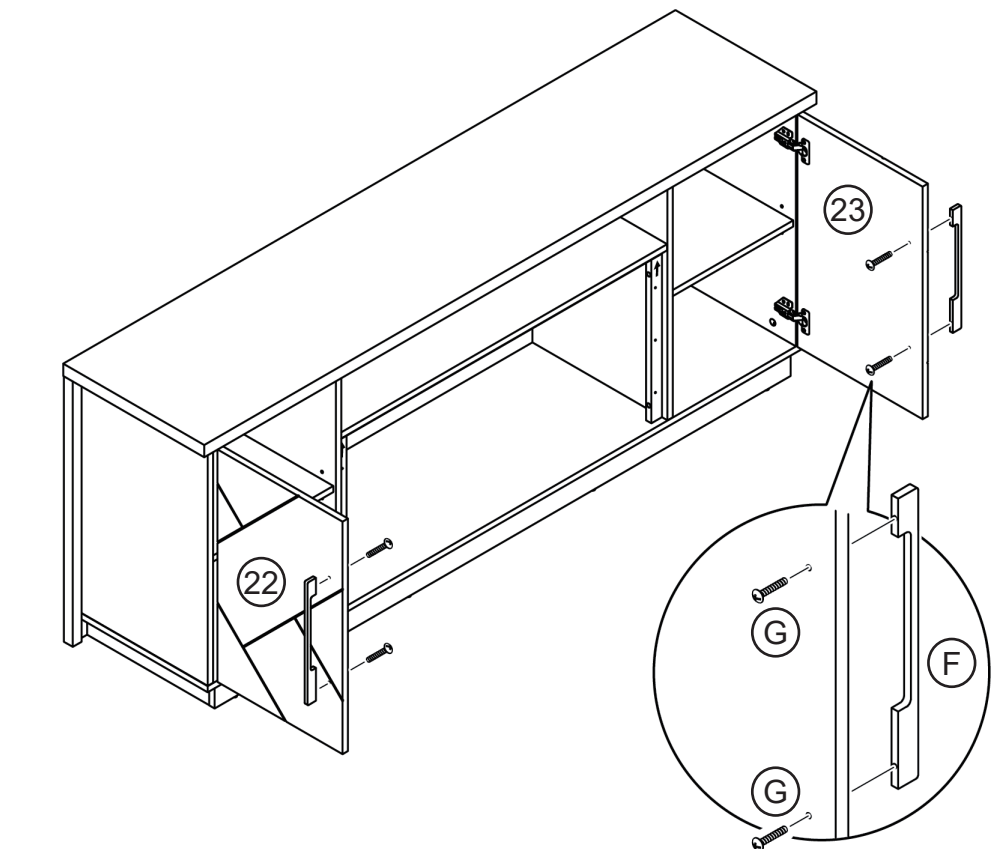
Attach door handles to the cabinet doors.



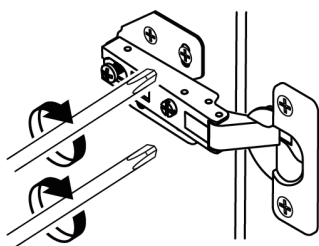
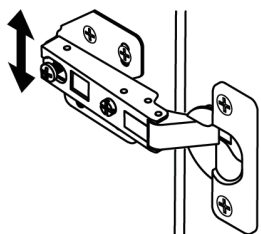
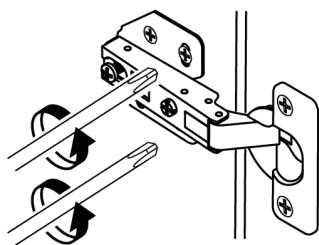
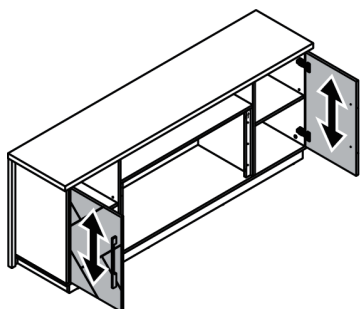
(F) 2x



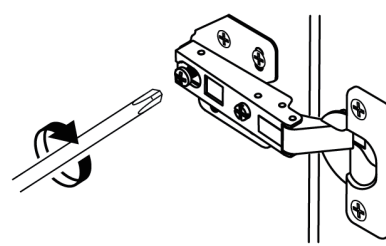
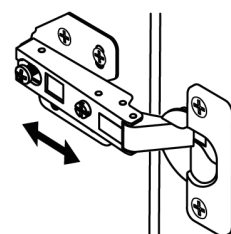
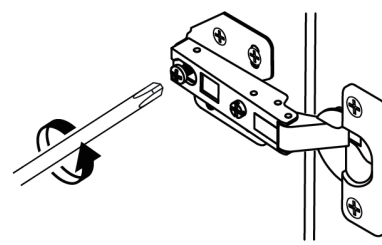
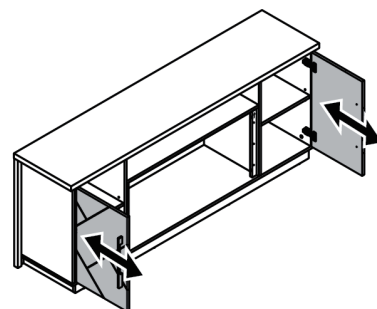
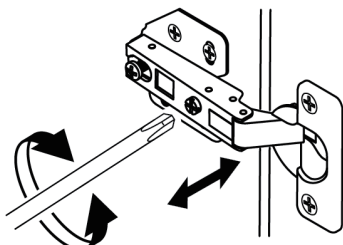
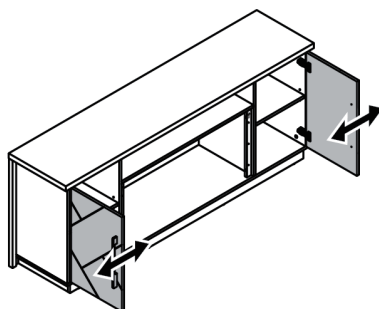
(G) 4x



When the clearance of the door is uneven, Adjust the cabinet door according to the figure.
If you still have trouble adjusting the door, please contact us.



Up and down adjustment by loosening the screws on the mounting plate.



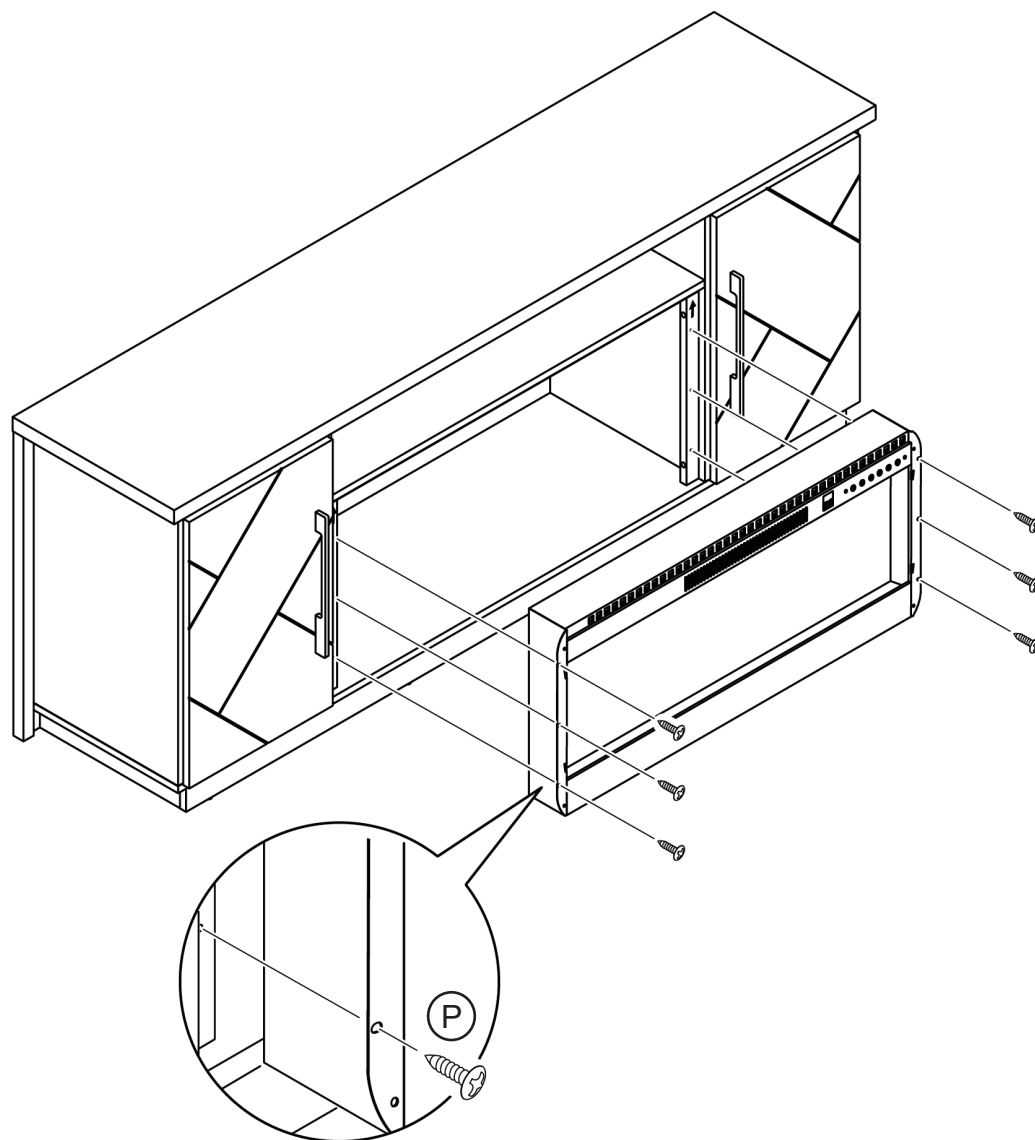
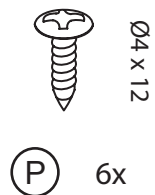
Side to side adjustment using the front adjustment screw on the hinge.

In and out adjustment by loosening the screws on the hinge arm.

29

Install the fireplace to the stand from the front.

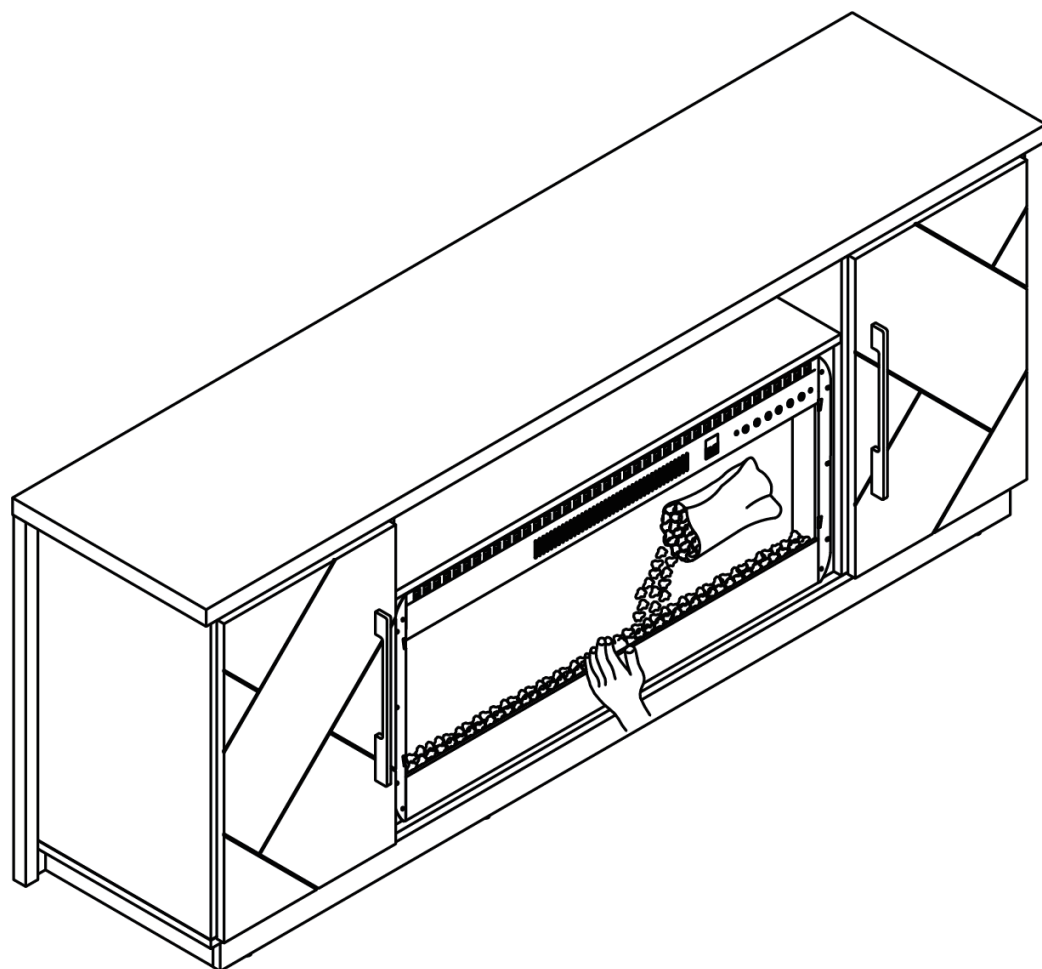
For the exact instruction, please refer to the user's manual provided with the fireplace.



Set the unit from the front of the fireplace mantel and center it in the opening, check the alignment and attach the unit to the mantel by inserting screws through the drilled holes on the mantel.

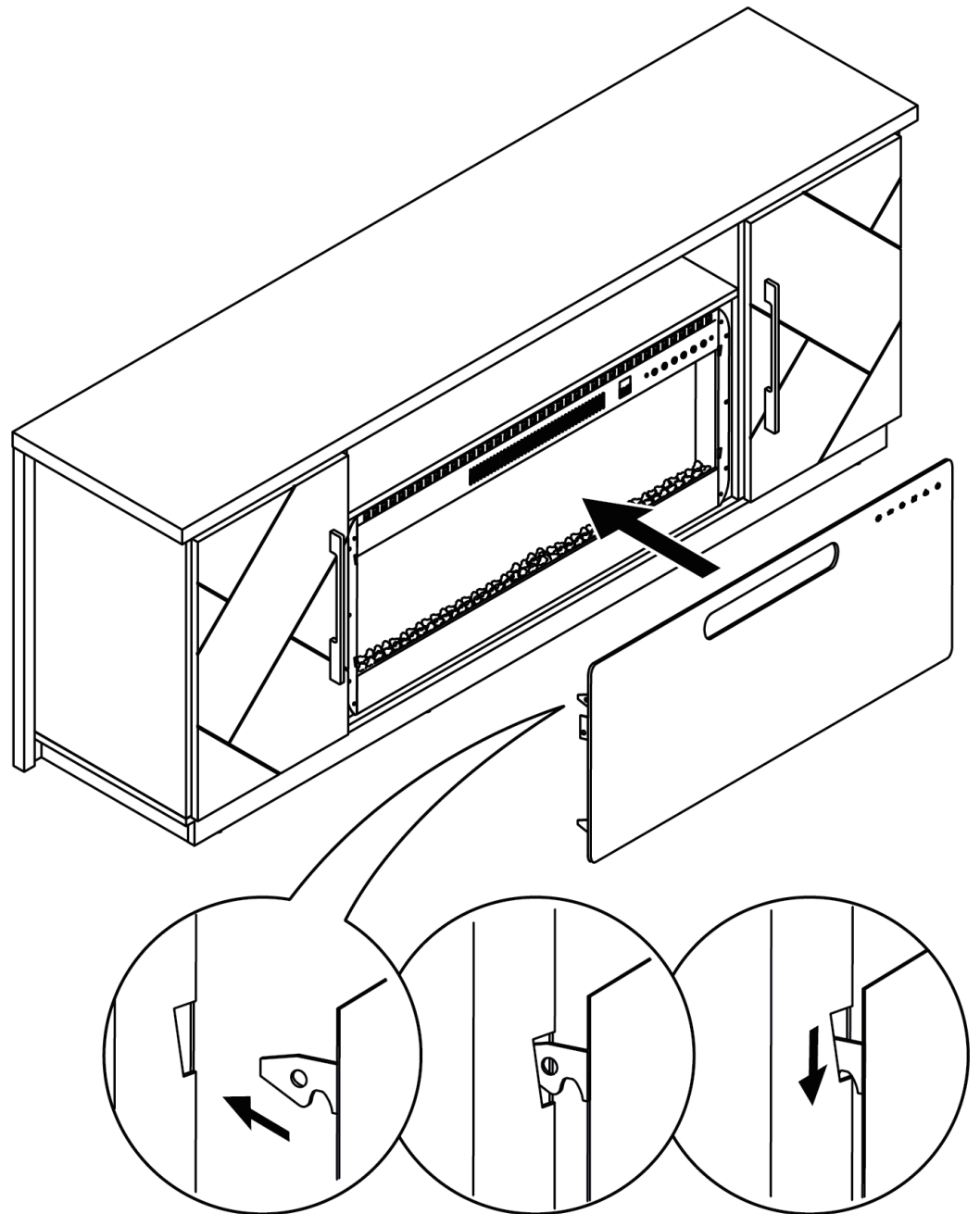
30

Place decoration stones inside the fireplace heater.



31

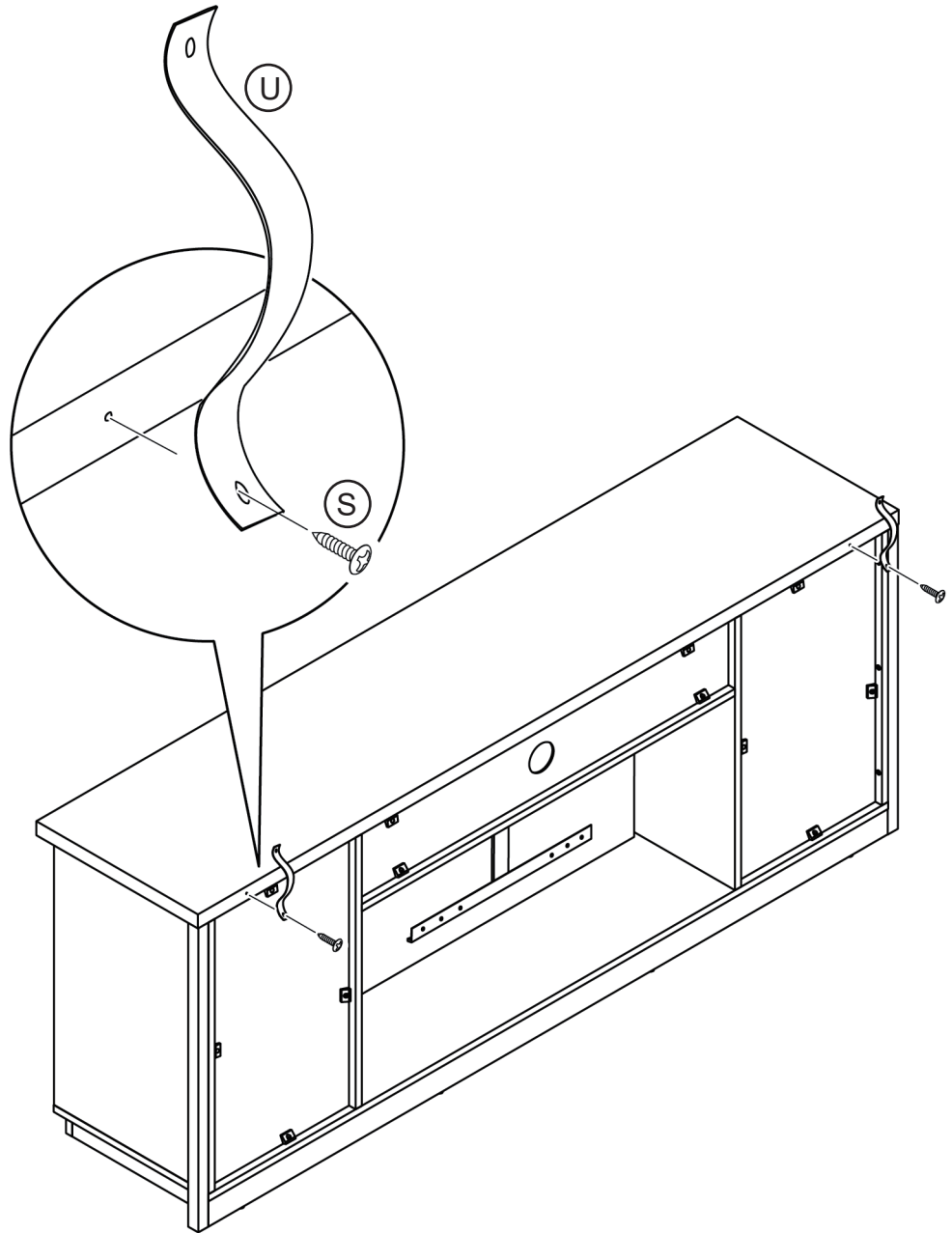
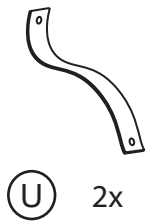
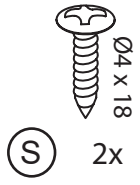
Attach front glass panel to the fireplace heater.



CAUTION
Careful when handling glass to prevent injury or damage.

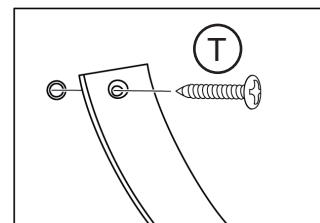
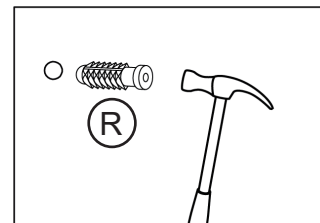
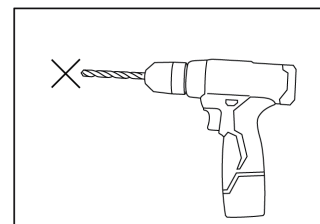
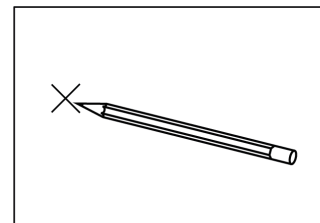
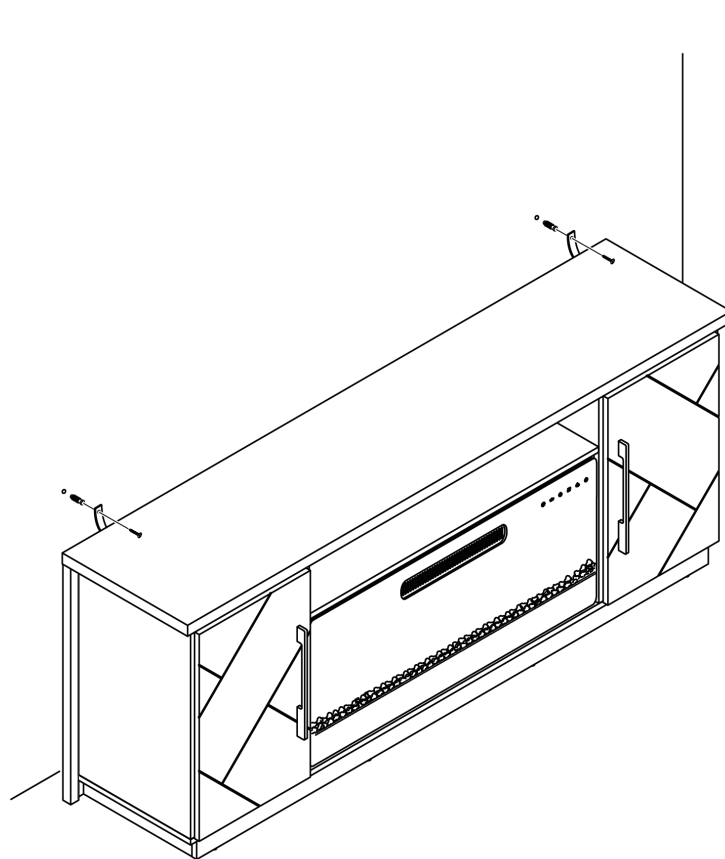
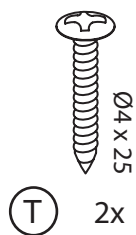
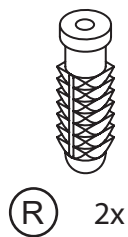
32

Attach anti-tipping straps to the back of the stand.



33

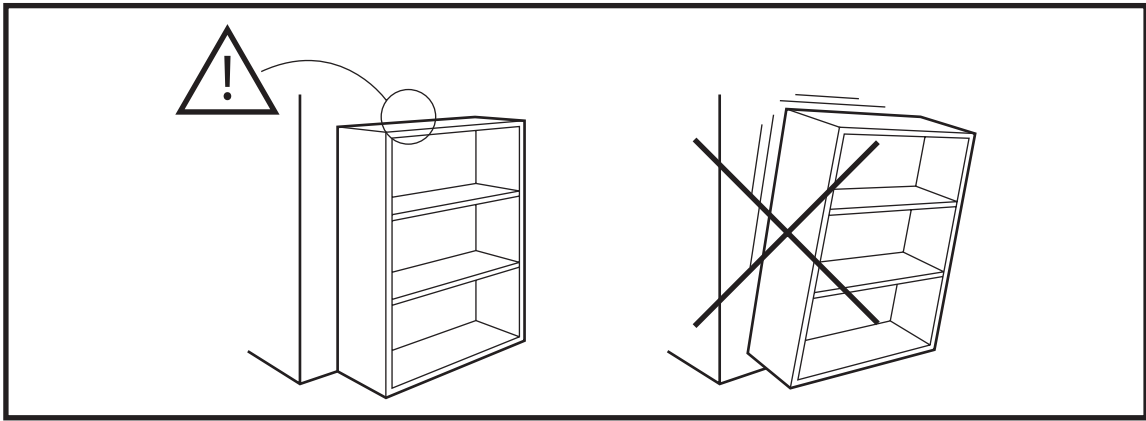
Affix the stand to a wall.



Furniture must permanently fixed to the wall stud with included anti-tipping device to prevent the furniture from tipping over.

- Mark the drill position on the wall with a pencil.
- Drill a small hole on the marked position.
- Insert a wall anchor into the drilled hole.
- Fixed the anti-tipping strap to the wall with provided screws.

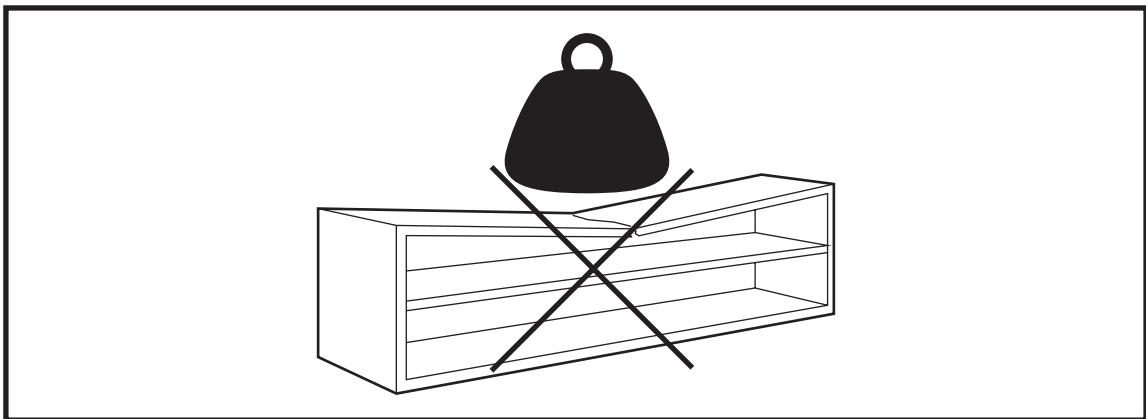
YOU'RE FINISHED!



Warning

Serious or fatal crushing injuries may occur if the furniture tip-over. Furniture must permanently affixed to the wall with included anti-tipping device in order to prevent the furniture from tipping over.

Different wall materials requires different types of wall anchors or screws. Use a suitable wall anchors or screws for your specific wall in order to secure the stability and load bearing capacity of the furniture. If you are uncertain about which type of device to use, please contact us or your local hardware store.



Warning

Only place items on top of the product if they meet the recommended size and weight limits.

Climbing on, stepping on, or placing overweighted objects on the product may cause property damage and/or injuries.

Items placed onto this product must be resting on a support surface without hanging over the edges.

WARNING

For use with televisions weighing 70lbs (31.8kg) or less. Use with heavier televisions may result in instability, causing tip over resulting in death or serious injury.

Death or serious injury may occur when children climb on audio and/or video equipment furniture. A remote control or toys placed on the furnishing may encourage a child to climb on the furnishing and as a result the furnishing may tip over on to the child.

Relocating audio and/or video equipment to furniture not specifically designed to support audio and/or video equipment may result in death or serious injury due to the furnishing collapsing or over turning onto a child.

NOTICE

The recommended maximum width of the television is 75 inches. Do not exceed the maximum load capacity.

This product is designed for flat panel TVs only.

FURNITURE CARE AND MAINTENANCE

Medium - Density Fiberboard

Thank you for your purchase. We want your item to last as long as possible. To ensure the product gives you years of longevity, please follow the recommendations in this care and maintenance guide.



MAINTENANCE

- Tighten all bolts and screws again within the first 2 weeks of assembly.
- Check the tightness of all bolts every 2 months and tighten them if necessary.



CLEANING

- Clean the surface of the MDF (medium - density fiberboard) with a lightly dampened cloth.
- A small amount of mild soap can be used if necessary.
- Dry the surface immediately after cleaning.

⚠ DO NOT use bleach or alcohol to clean the surface.

⚠ DO NOT apply wood treatment on parts made with MDF.

MDF will swell and distort when exposed to water damage. Make sure to dry the furniture immediately after cleaning.

⚠ WARNING

The manufacturer and seller are not responsible for any and all liability relating to personal injury, property damage or losses, whether direct, indirect, or incidental, resulting from the incorrect attachment, improper use, inadequate maintenance, unapproved modification or neglect of this product.

WARRANTY

Products come with a 1-year warranty from the date of delivery.
Register your product on our website to enjoy our limited lifetime warranty!

AFTER-SALE SERVICE



Encounter any



We will send you replacement.



Hassle free!
No need to worry about repackaging and sending your item back.

FOLLOW US:

CONTACT INFO:
