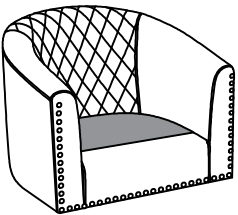

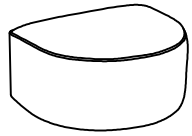

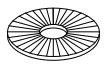
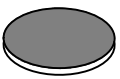


Assembly Instructions

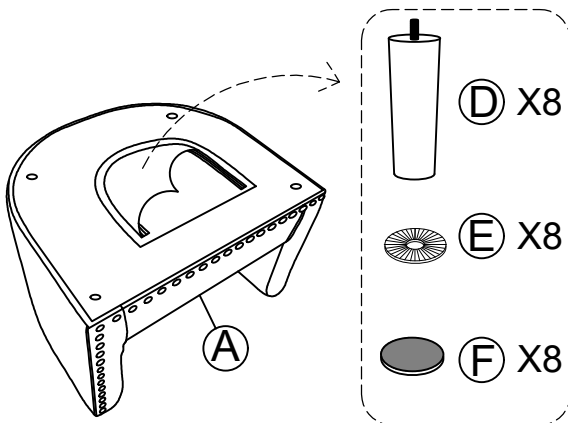
Your recliner comes packaged in one box. Carefully remove all of components from the packaging and set aside for assembly.

CAUTION:
DO NOT use any sharp objects to open plastic wrapped components as damage to product or components may result.

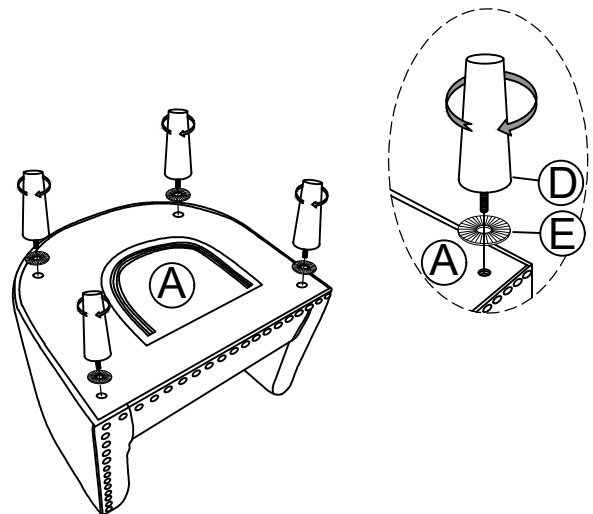
Package Contents

 <p>(A)</p> <p>X1</p>	 <p>(B)</p> <p>X1</p>	 <p>(C)</p> <p>X1</p>	 <p>(D)</p> <p>X8</p>
 <p>(E)</p> <p>PLASTIC WASHERS Ø48*2MM</p> <p>X8</p>	 <p>(F)</p> <p>ANTI SLIDING PAD Ø50*2MM</p> <p>X8</p>		

Step 1: Take the legs, plastic washers and anti sliding pad at the bottom of the seat.

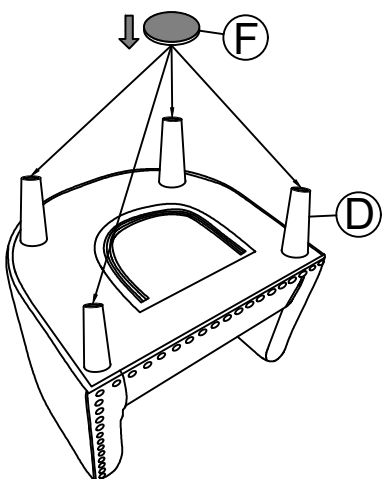


Step 2: Install the legs (D) and plastic washers (E) in the seat (A).

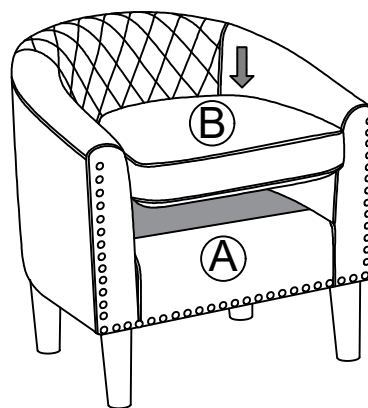


Ensure the backrest is fully inserted to the bottom along the metal slot to avoid tilting or moving. And please not sit on the armrests for the user's safety.

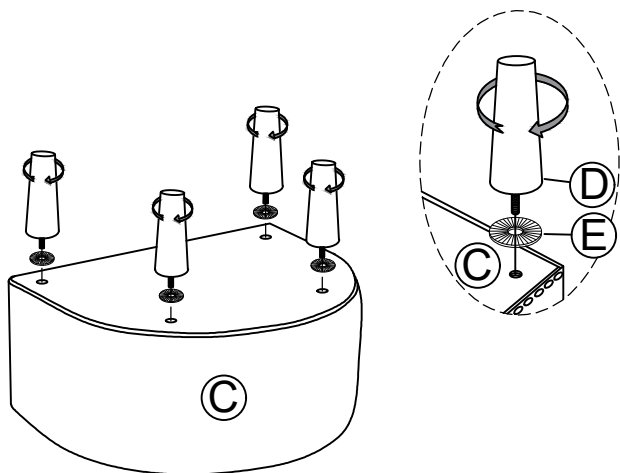
Step 3: Glue the anti sliding pad(F) to the bottom of the chair legs(D).



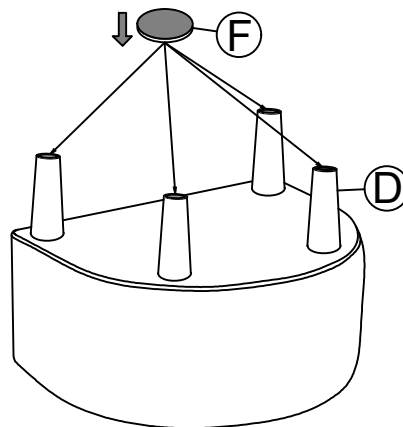
Step 4: Attach the cushion(B) to the chair (A).



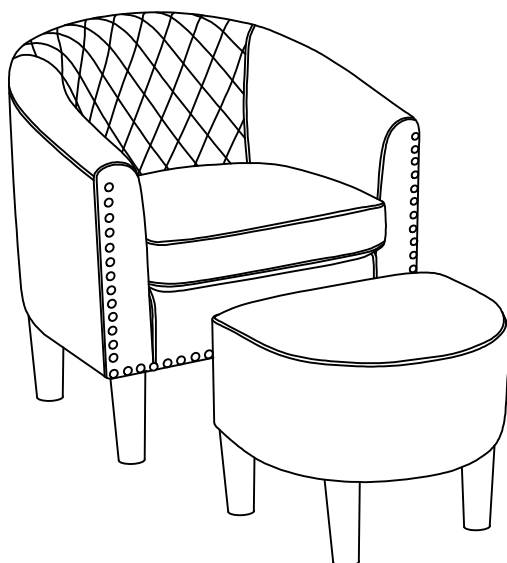
Step 5: Install the legs(D) and plastic washers(E) in the seat(C).

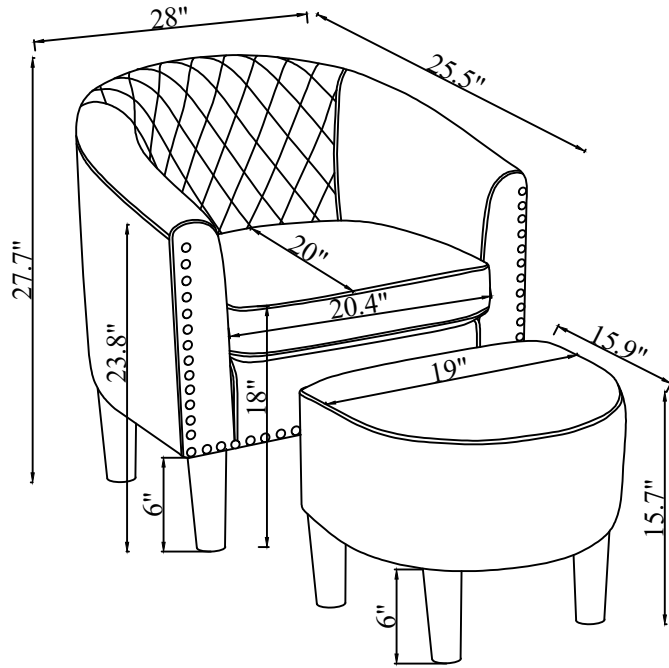


Step 6: Glue the anti sliding pad(F) to the bottom of the chair legs(D).

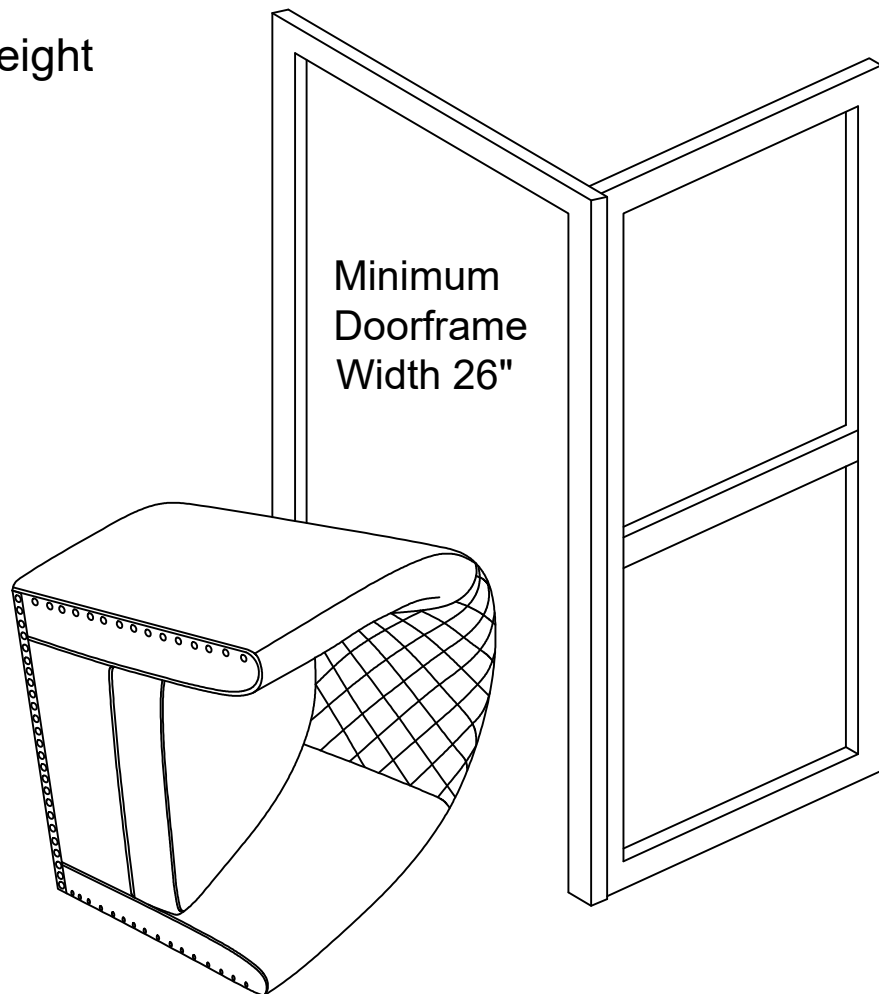


Step 7: Assembly is complete.





Seat cushion weight capacity: 16kg



Rotate sofa 90 to fit through the door before attach back cushion and pillow

Warnings

1. Please check if the components of the chair are all included and can be used normally.
2. Assemble all components according to the instruction correctly before you connect the chair to the power.
3. Please DO NOT sit on the armrests or footrest to eliminate the risk of tipping over.
4. If the chair is damaged or doesn't match the website description, please send clear pictures of the product and label of the carton to our service team for further help.
5. If the recliner doesn't work, you may try the following measures for self-checking firstly:
 - a) Check if all the cables are connected;
 - b) Check if the light of transformer is on.If the chair still doesn't work, please feed the information back to our customer service in time and we'll help you solve the matter as soon as possible.
6. If you have any questions with the product, please contact us

