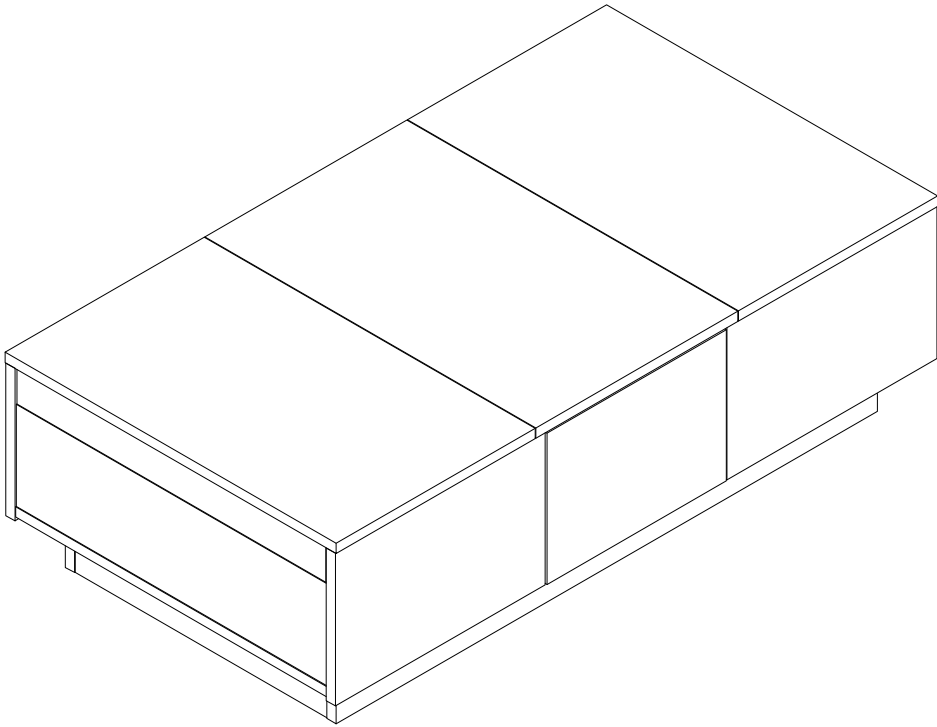
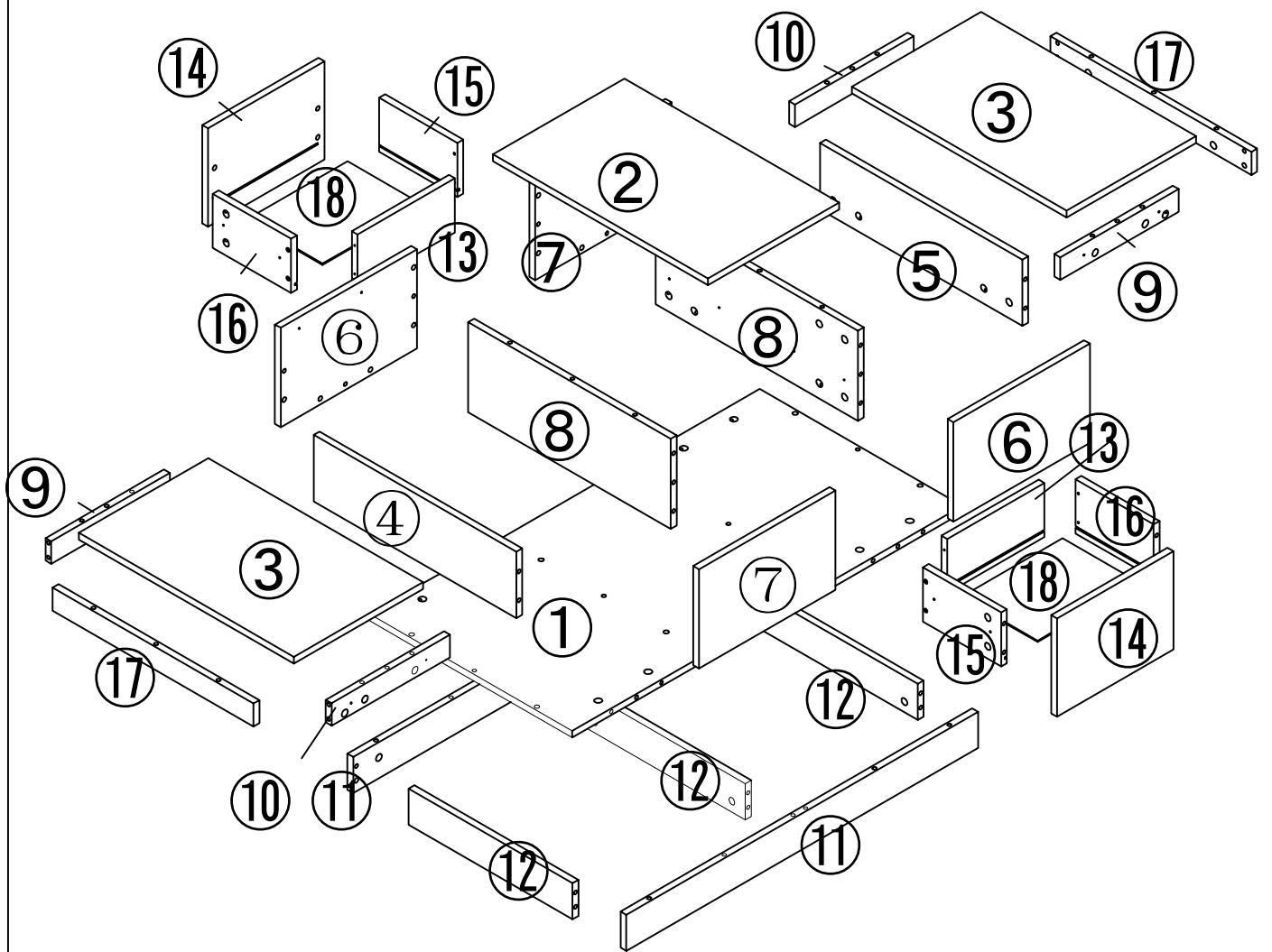
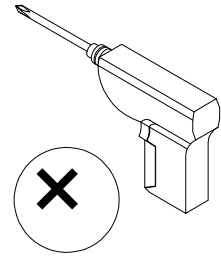
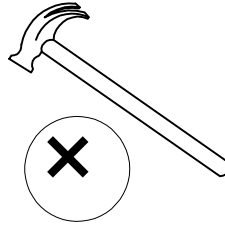
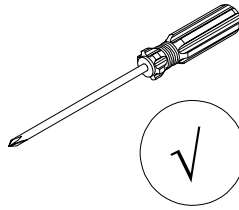
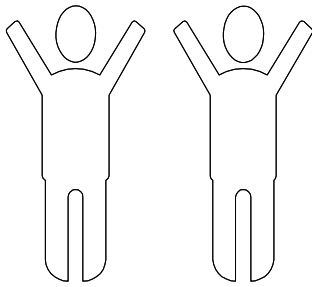


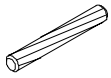
Installation & Assembly





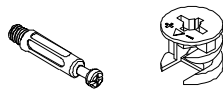


A



Ø8*40 38PCS

B



Ø5*40 70PCS

C



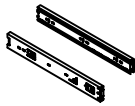
Ø3.5*14 32PCS

D

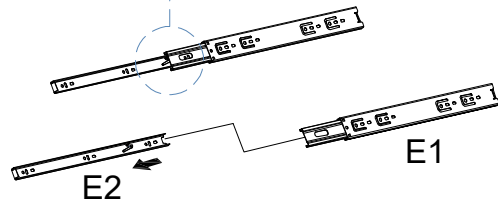
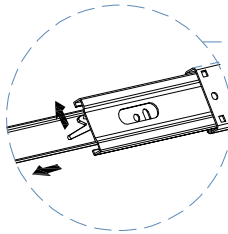


Ø3.5*35 8PCS

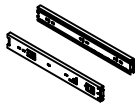
E



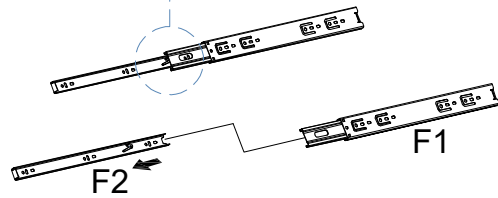
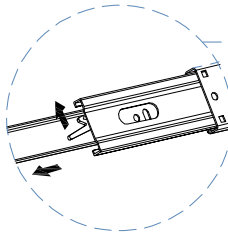
200MM 4PCS



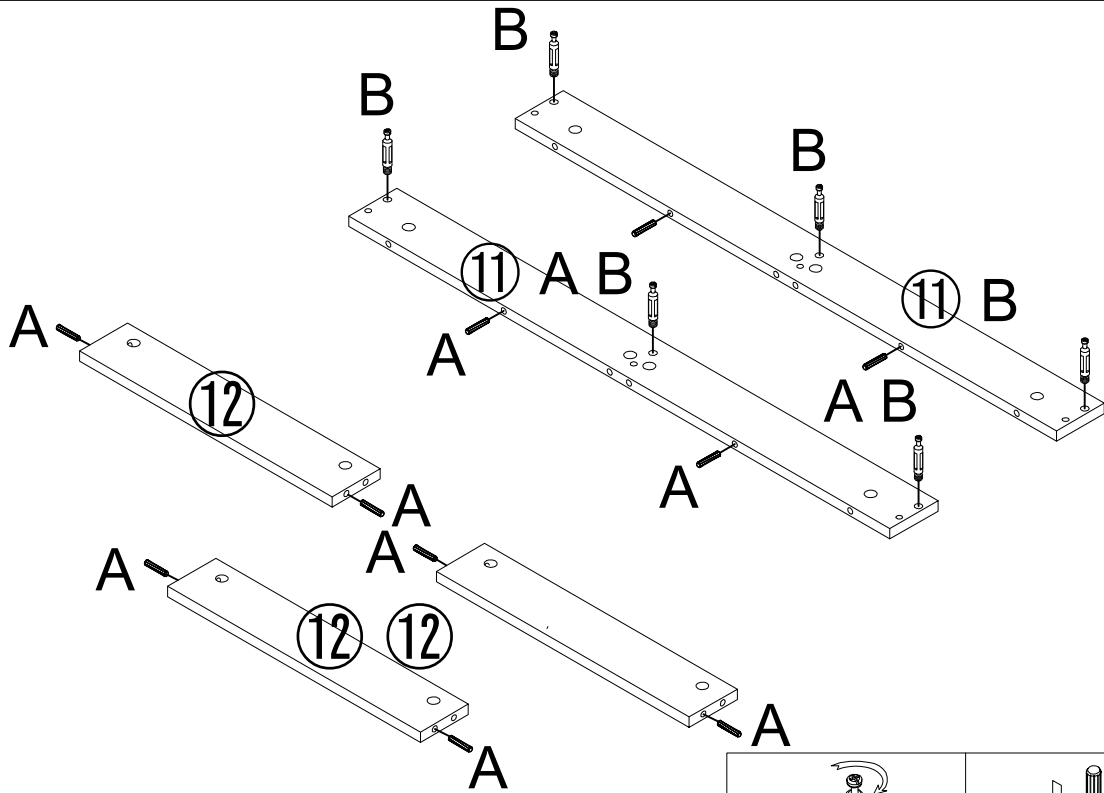
F

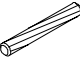



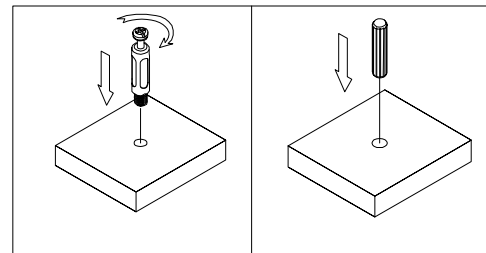
300MM 4PCS



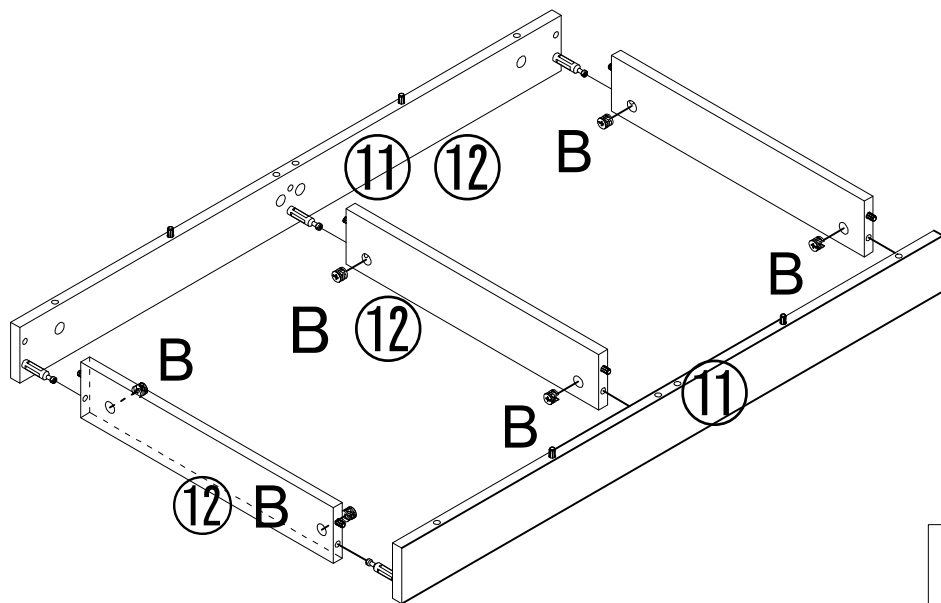
STEP 1




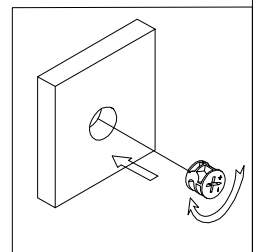
	Ax10PCS
	Bx6PCS



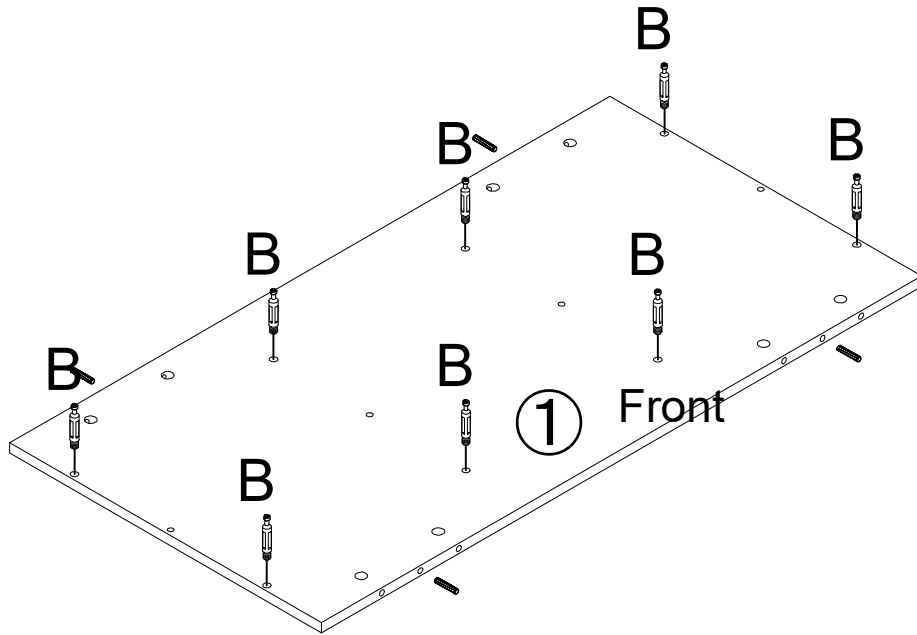
STEP 2





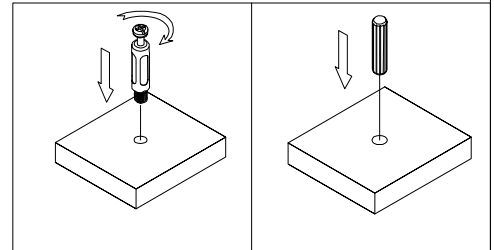
	Bx6PCS
---	--------



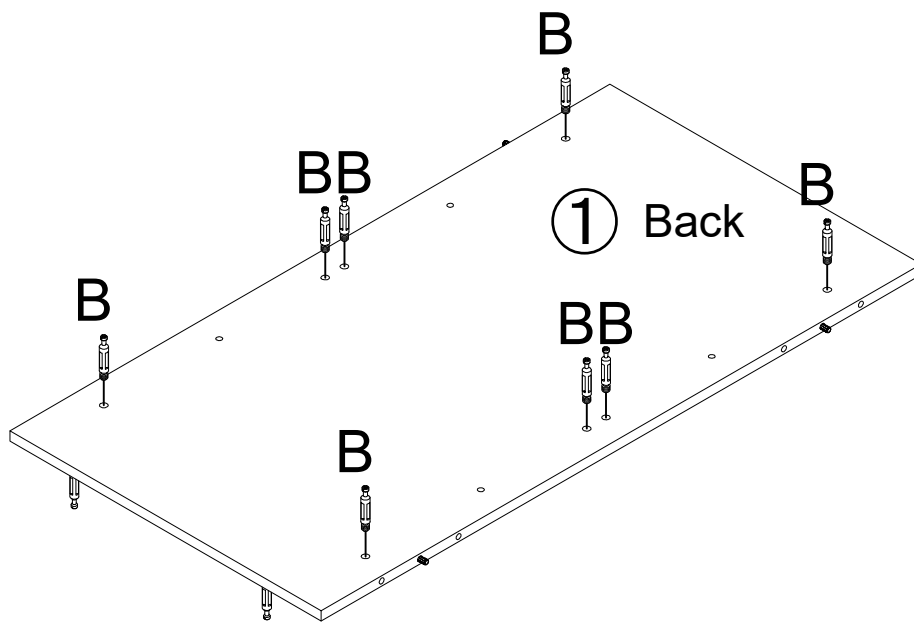
STEP3




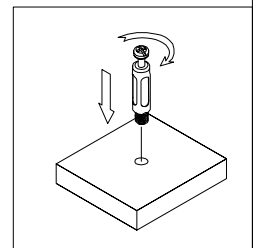
	Ax4PCS
	Bx8PCS



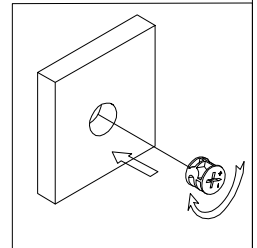
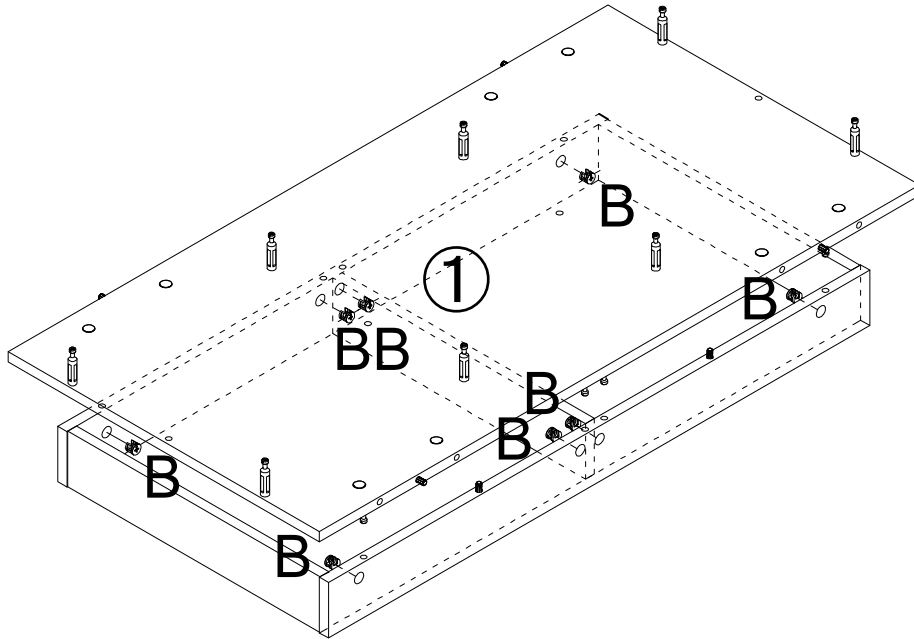
STEP4



	Bx8PCS
---	--------

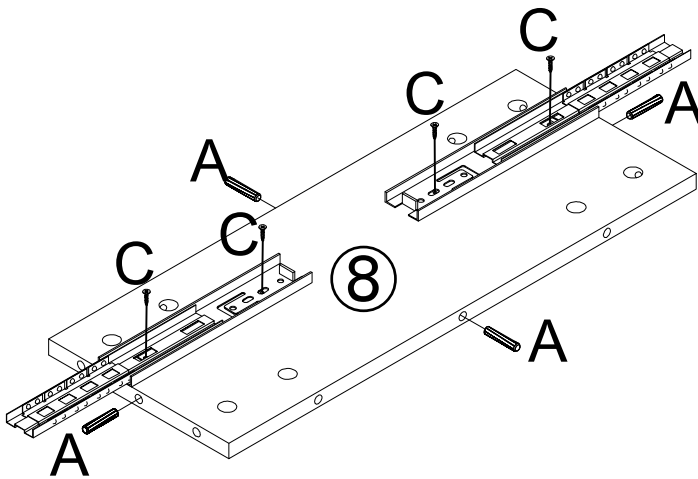


STEP5

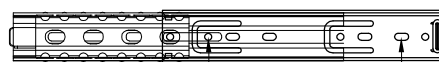


	Bx8PCS
---	--------

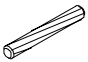


STEP6

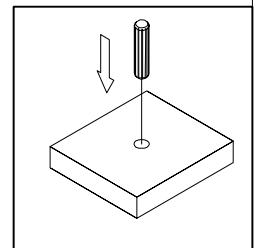


X2

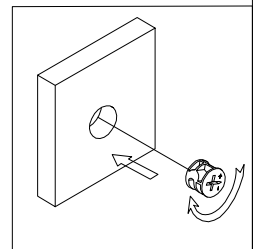
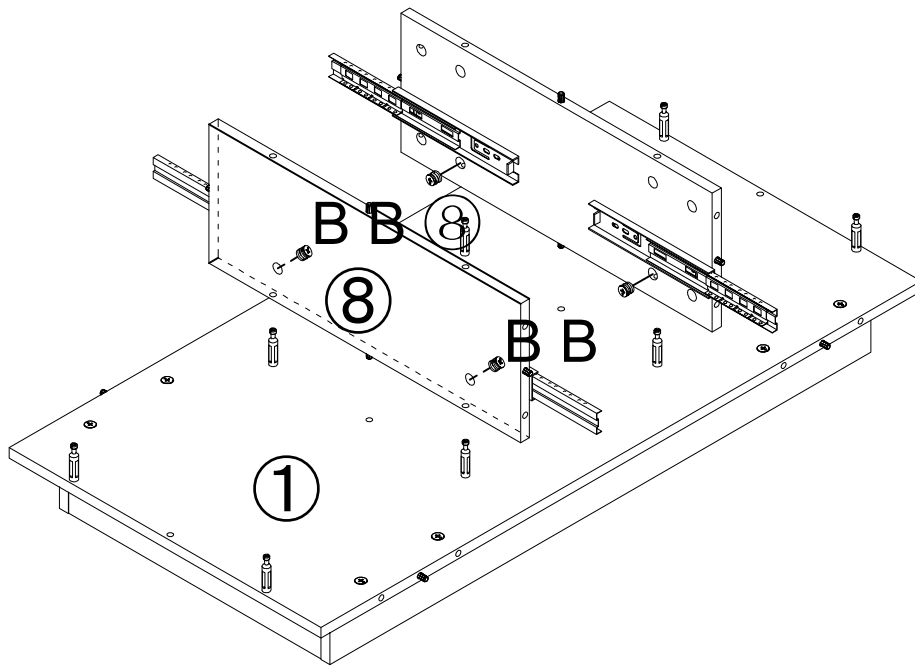


Second Hole

	Ax8PCS
	Cx8PCS
	E1x4PCS

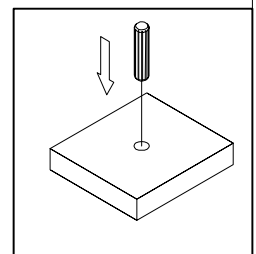
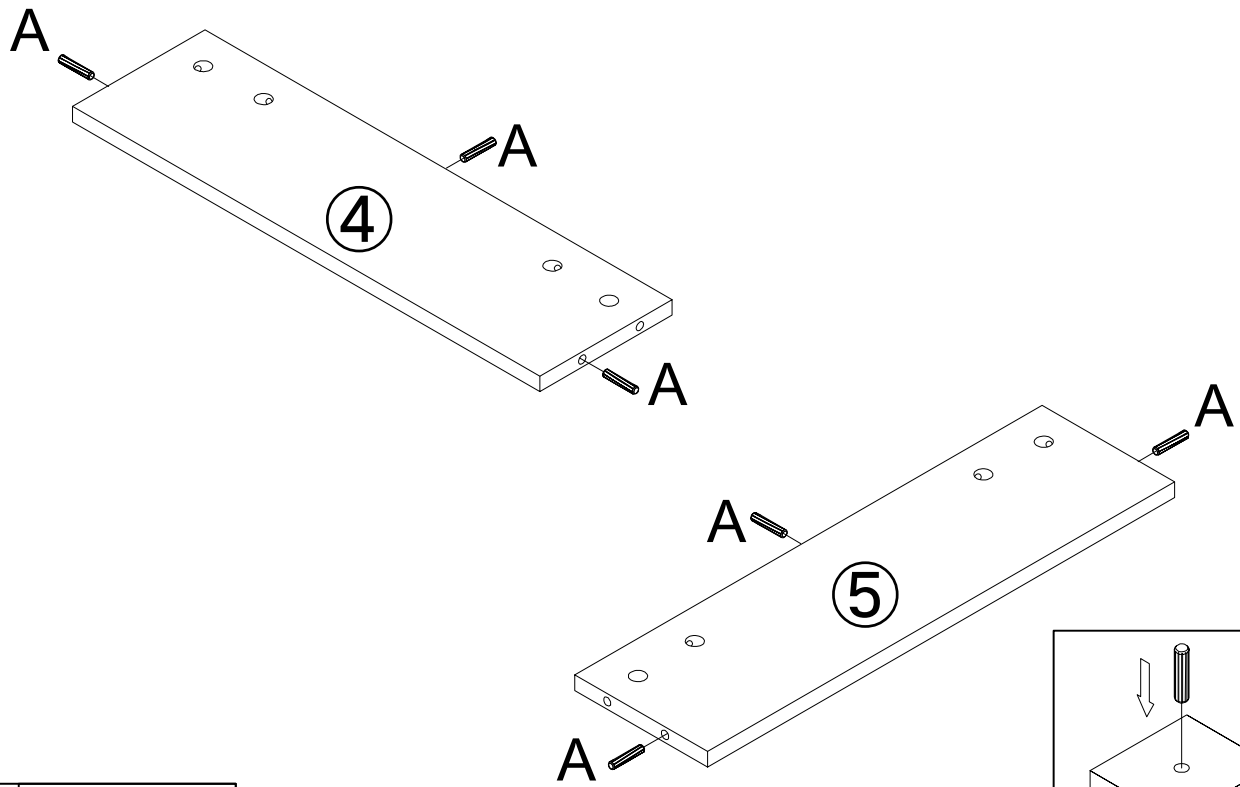


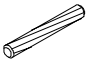
STEP 7



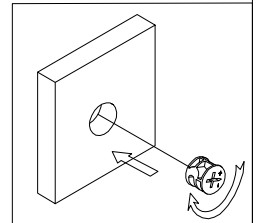
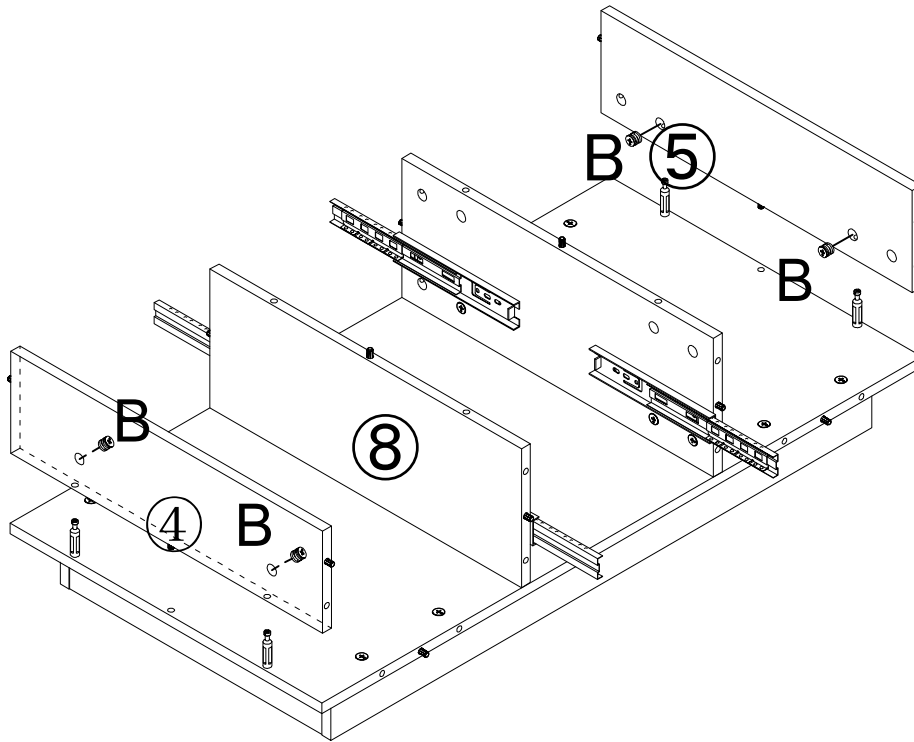
 Bx4PCS

STEP 8



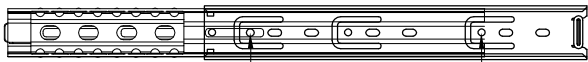
 Ax6PCS

STEP9

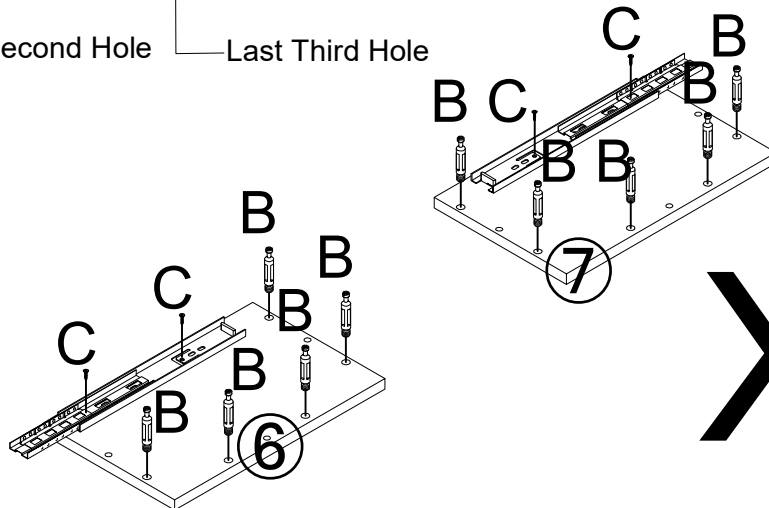


Bx4PCS

STEP10



Second Hole Last Third Hole



X2



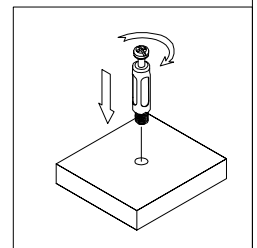
Bx20PCS



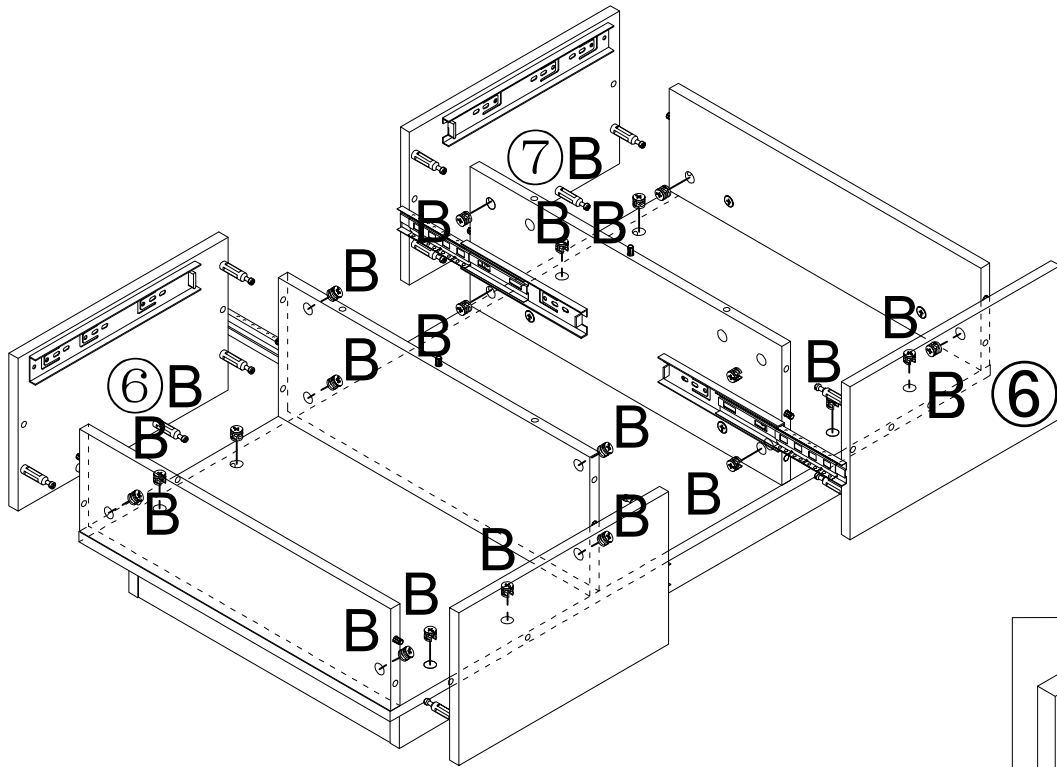
Cx8PCS



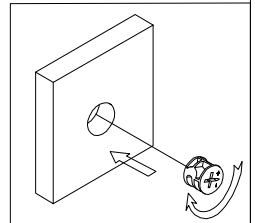
F1x4PCS



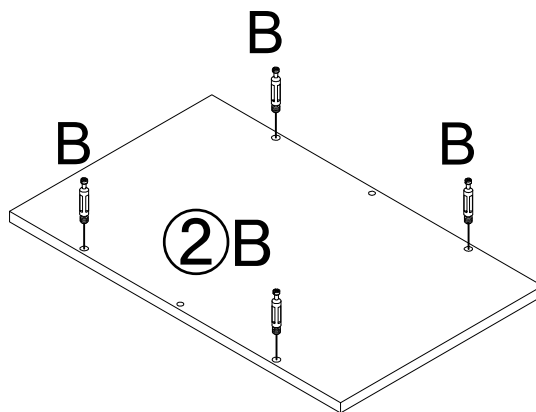
STEP11



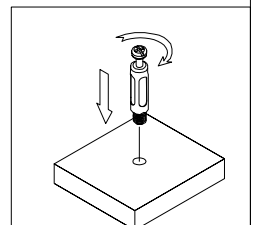
Bx20PCS



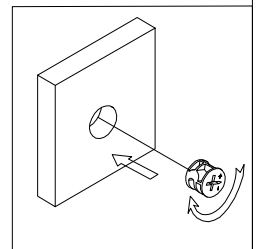
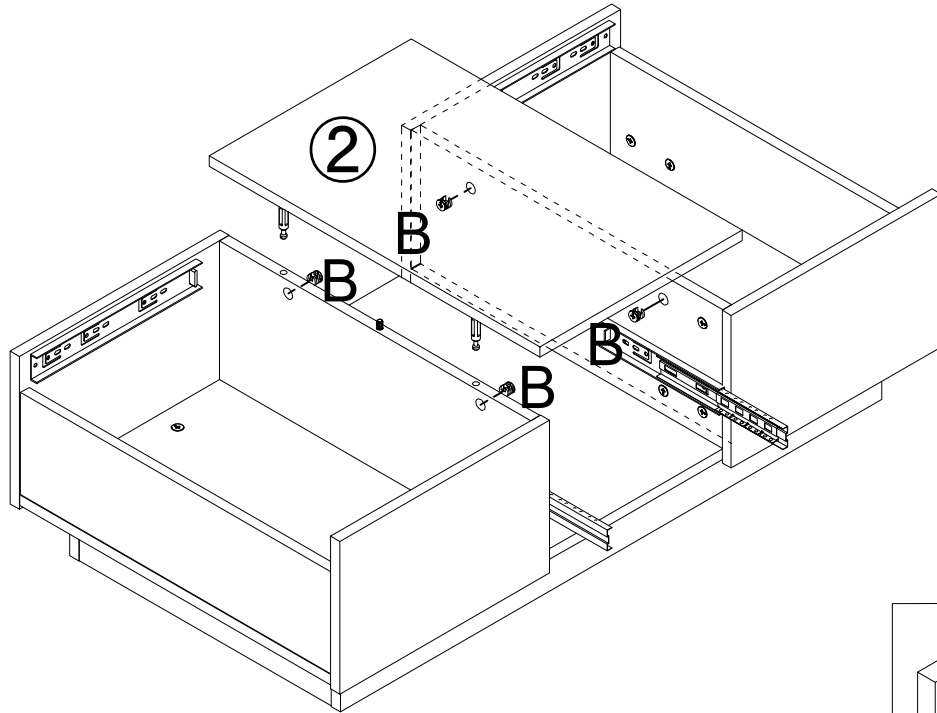
STEP12



Bx4PCS

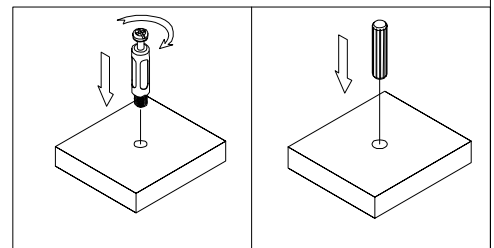
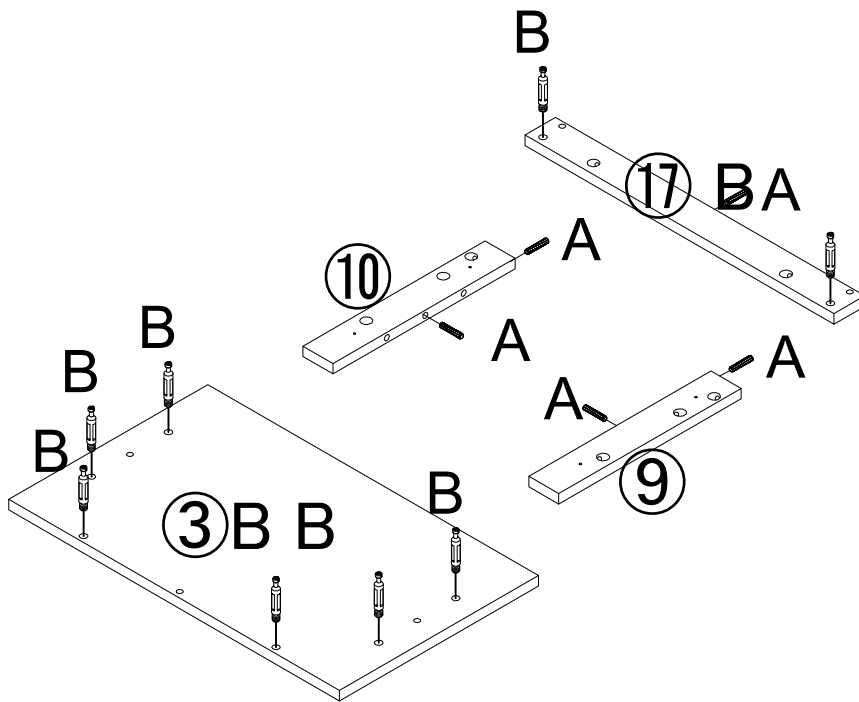


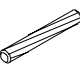

STEP13



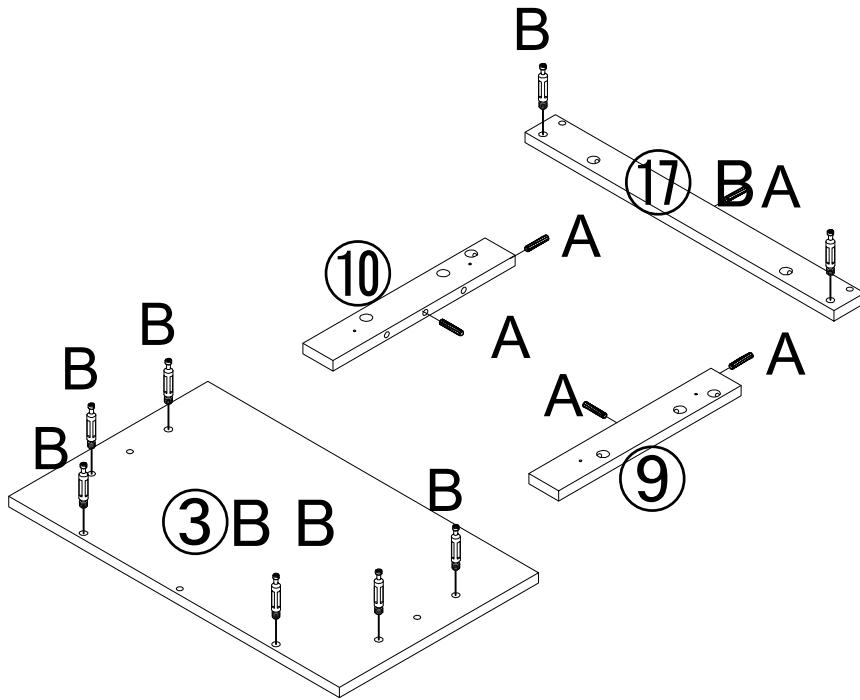
	Bx4PCS
---	--------



STEP14

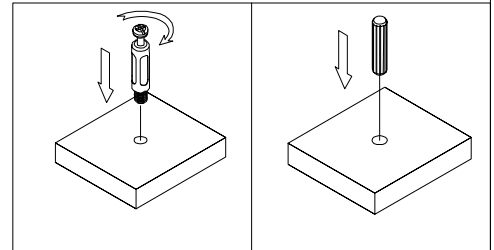


	Ax5PCS
	Bx8PCS

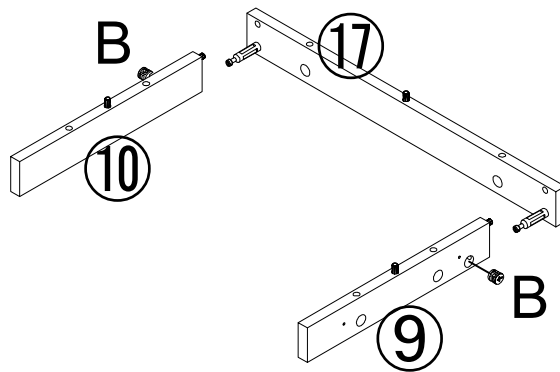
STEP15



	Ax5PCS
	Bx8PCS

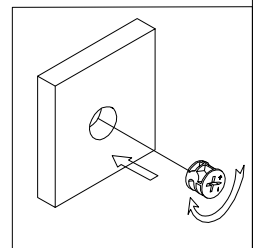


STEP16

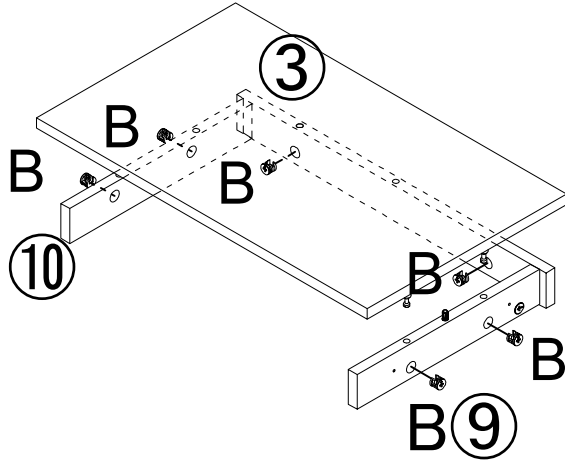


X2

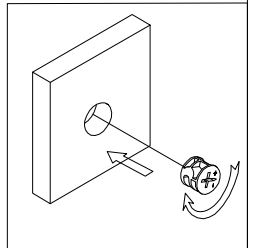
	Bx4PCS
---	--------




STEP17

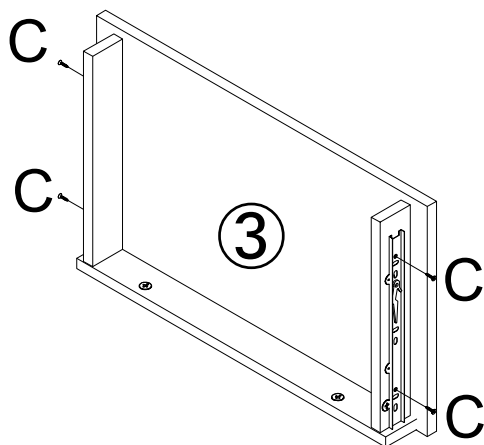


X2

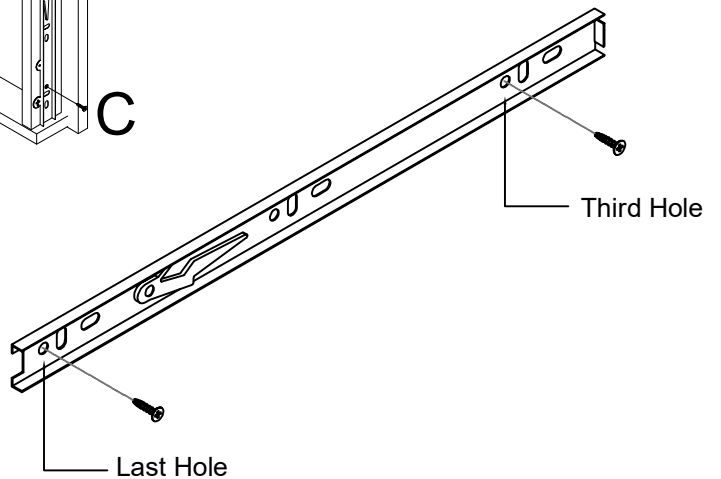




	Bx12PCS
---	---------

STEP18

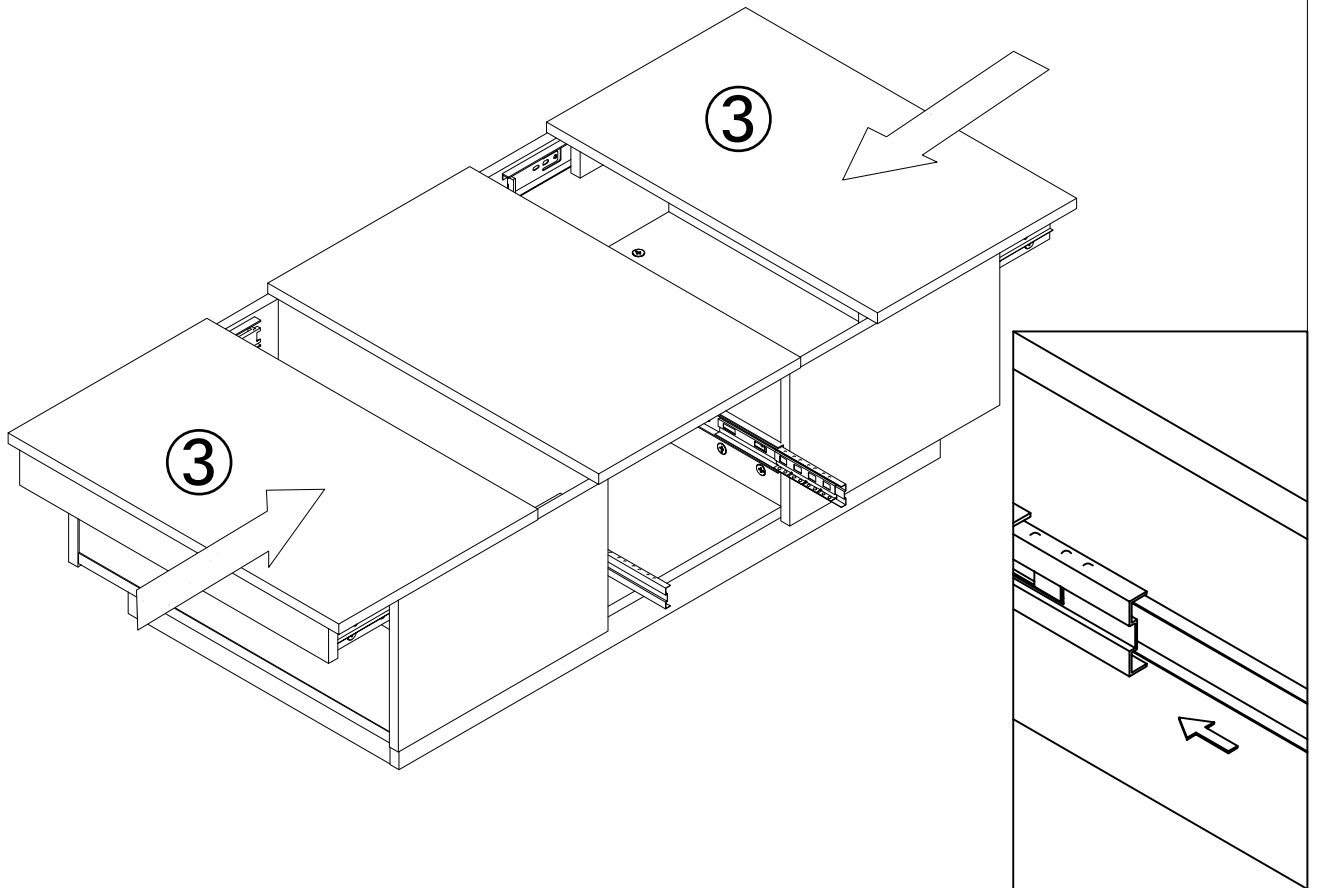


X2

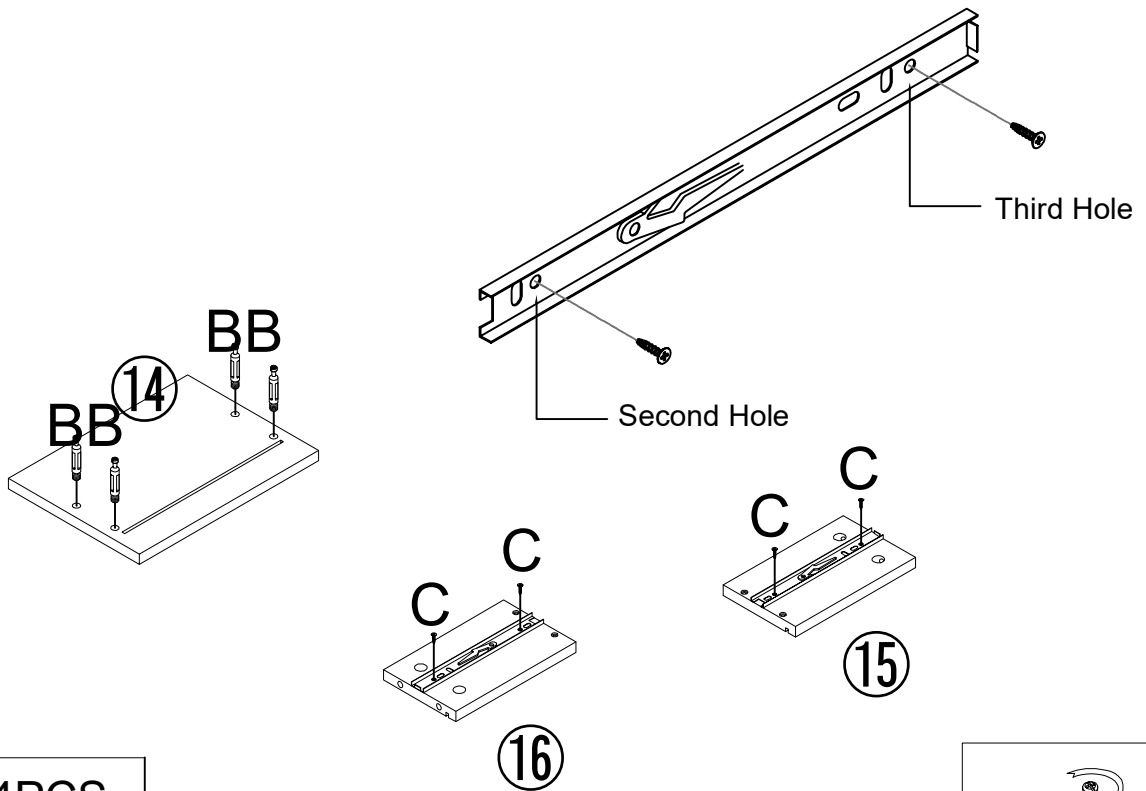





	Cx8PCS
	F2x4PCS

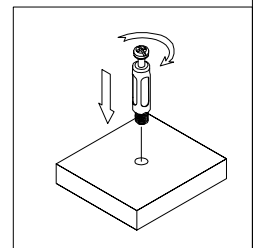
STEP19



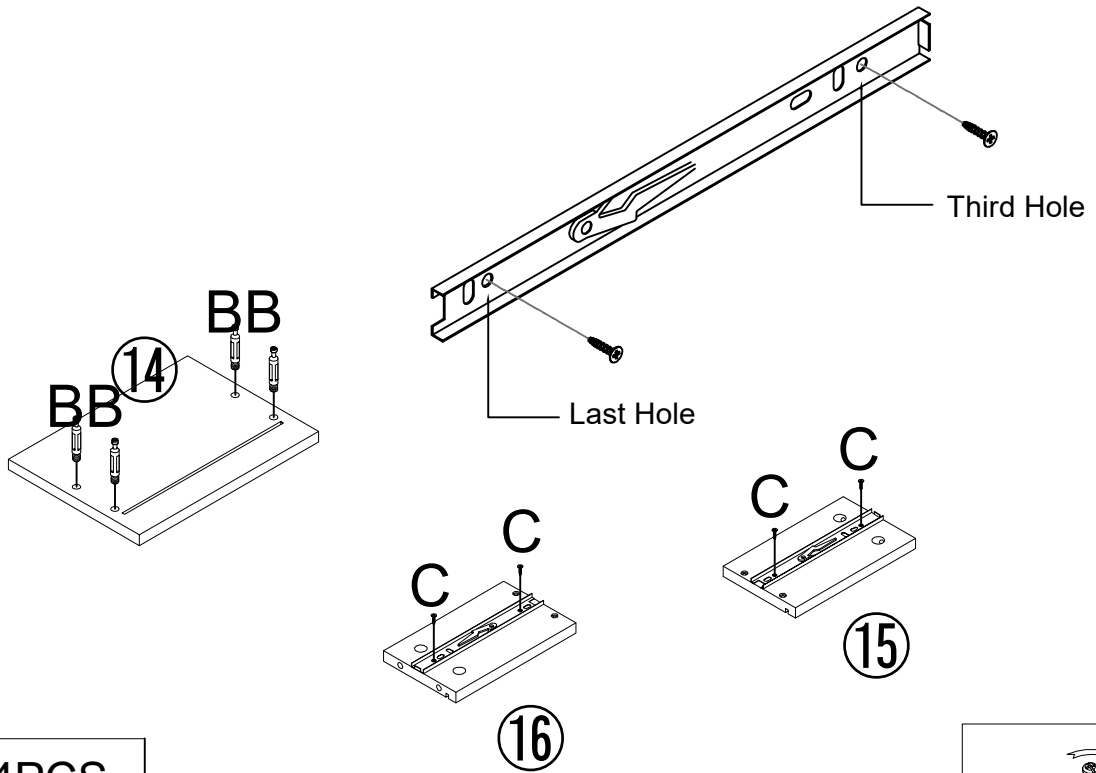
STEP20



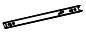


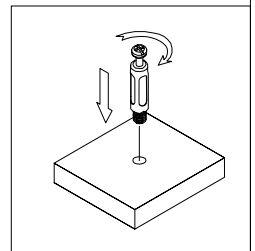
	Bx4PCS
	Cx4PCS
	E2x2PCS



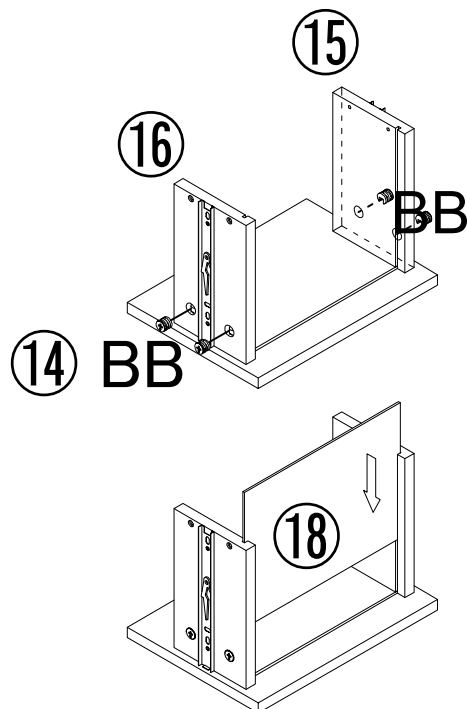
STEP21



	Bx4PCS
	Cx4PCS
	E2x2PCS

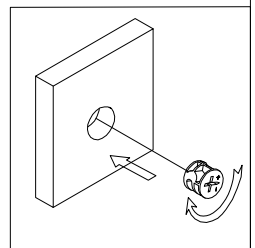


STEP22

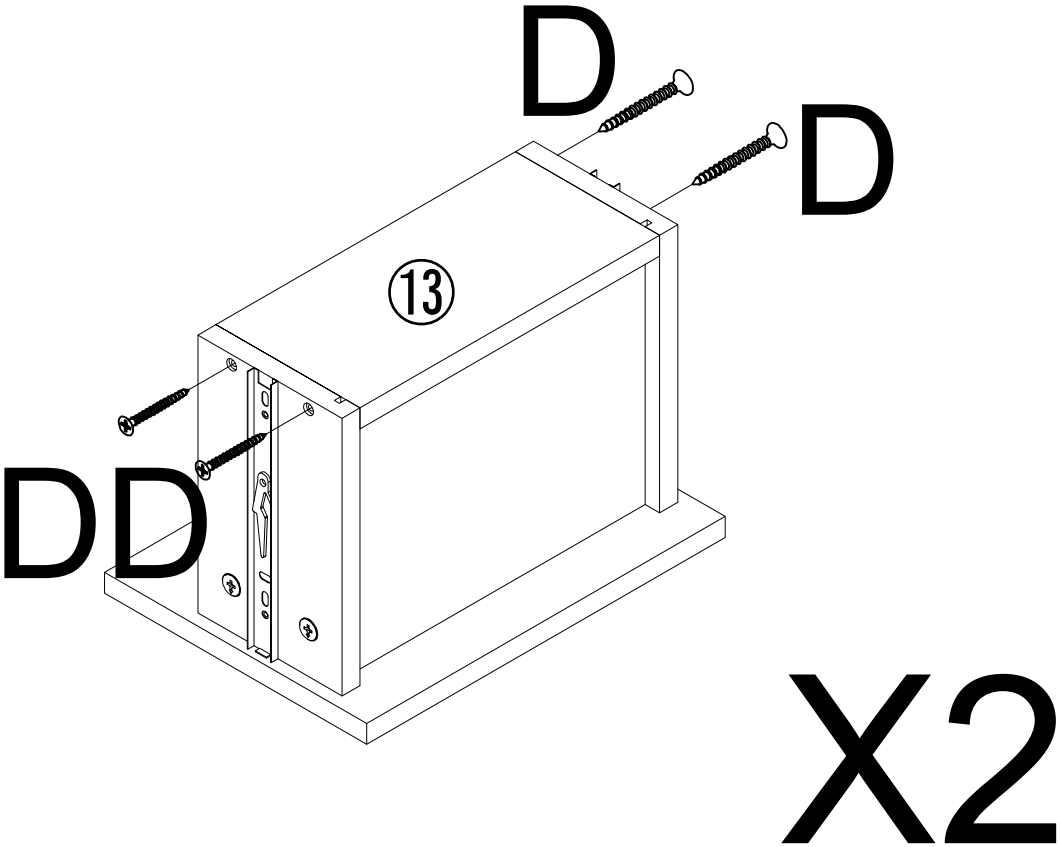


X2

	Bx8PCS
---	--------

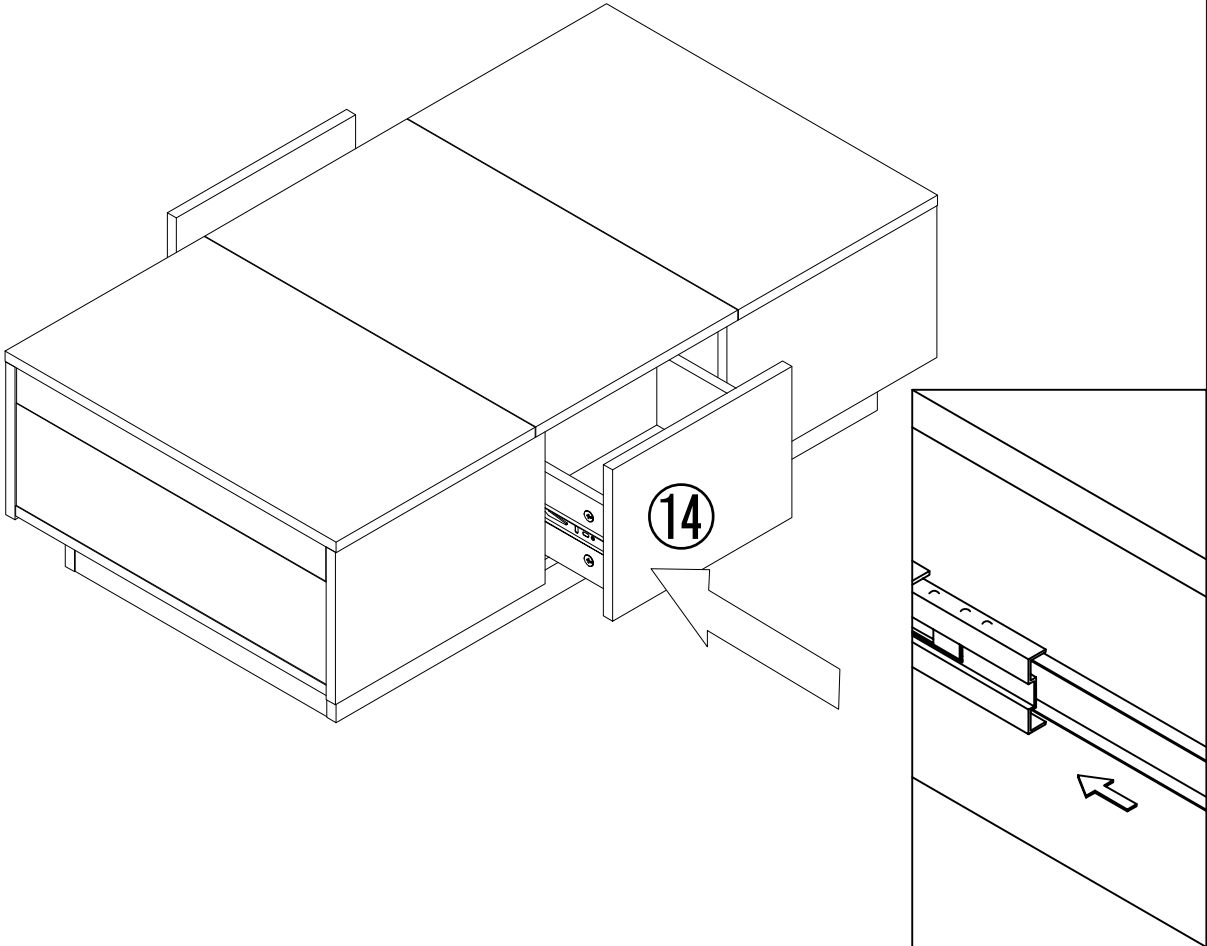


STEP23

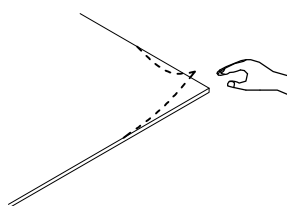


Dx8PCS

STEP24



Please Note,after finish assembly ,please remove the protect plastic film on board which have the sticker.



NOTE: Please remove protective plastic film after finishing assemble.

