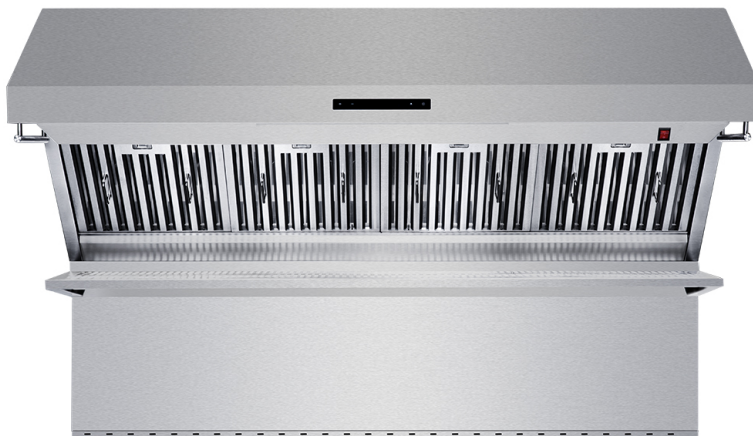




Intertek
5015011

CONFORMS TO UL STD. 507.
CERTIFIED TO CSA STD. C22.2 60335-1&60335-2-31



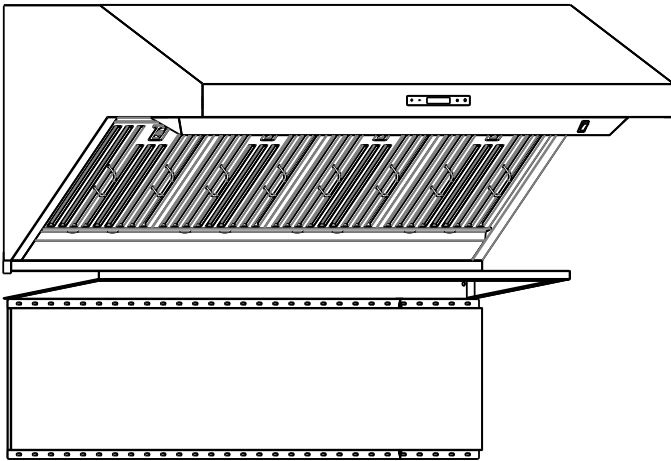
**WALL-MOUNT RANGE HOOD
MODEL NUMBER
FRHWM5029-60
INSTRUCTION MANUAL &
INSTALLATION GUIDE**

Read these instructions carefully before using your appliance, and keep them carefully.
If you follow the instructions, your appliance will provide you with many years of good service.

TABLE OF CONTENTS

Customer Care	5
Important Safety	6
Name Of Parts	9
Product Dimension	10
Installation Instruction	
• Installing Backsplash.....	11
• Installing Warming Shelf	12
• Hang Hood on Bracket	12
• Duct installation	13
• Electric connection	14
Operating Instruction	14
Maintenance & Cleaning	
• Surface Cleaning	14
• Oil Cup	15
• Hood Cleaning	15
• LED Replacement.....	16
Wire Diagram	17
Warranty	18

WALL-MOUNT RANGE HOOD



MODEL NUMBER
FRHWM5029-60

Customer Care

Thank you for purchasing a Forno product. Please read the entire instruction manual before operating your new appliance for the first time. Whether you are an occasional user or an expert, it will be beneficial to familiarize yourself with the safety practices, features, operation and care recommendations of your appliance.

Both the model and serial number are listed inside the product. For warranty purposes, you will also need the date of purchase .

Product Information

Model Number : _____

Date of Purchase : _____

Purchase Address And Phone : _____

Serial Number :

Service Information

Use these numbers in any correspondence or services calls concerning your product.

If you received a damaged product, immediately contact Forno.

To save time and money, before you call for serviced, check the troubleshooting guide. It listed the causes of minor operation problems that you can correct yourself.



“Need some quick help? Simply scan the qr code and get access to our fast support form. We’re always here to assist you with any questions or concerns you may have. So, don’t hesitate to reach out!”

Services in Canada and Untied States

Keep the instruction manual handy to answer your questions. If you don’t understand something or need more assistance, please visit our website for fast support. Please provide us your name, number, address,serial number of the product that troubleshooting, proof of purchase, and a short description of the issue. A customer service representative will contact you as soon as possible. All warranty work needs to be authorized by FORNO customer service. All our authorized service providers are carefully selected and rigorously trained by us.

Range Hood Safety



1. Before servicing or cleaning unit, unplug or disconnect the range hood from the power supply.
2. TO REDUCE THE RISK OF A RANGE TOP GREASE FIRE:
 - A. Never leave surface units unattended at high settings. Boil overs cause smoking and greasy spillovers that may ignite. Heat oils slowly on low or medium settings.
 - B. Always turn hood ON when cooking at high heat or when flambeing food (i.e. Crepes Suzette, Cherries Jubilee, Peppercorn Beef Flambe’).
 - C. Clean ventilating fans frequently. Grease should not be allowed to accumulate on fan or filter .
 - D. Use proper pan size. Always use cookware appropriate for the size of the surface element.
3. TO REDUCE THE RISK OF INJURY TO PERSONS IN THE EVENT OF A RANGE TOP GREASE FIRE, OBSERVE THE FOLLOWING:
 - A. A. SMOTHER FLAMES with a close-fitting lid, cookie sheet, or metal tray, then turn off the burner. BE CAREFUL TO PREVENT BURNS. If the flames do not go out immediately, EVACUATE AND CALL THE FIRE DEPARTMENT.
 - B. NEVER PICK UP A FLAMING PAN – You may be burned.
 - C. DO NOT USE WATER, including wet dishcloths or towels – a violent steam explosion will result.
 - D. Use an extinguisher ONLY if:
 - i. You know you have a Class ABC extinguisher, and you already know how to operate it.
 - ii. The fire is small and contained in the area where it started
 - iii. The fire department is being called
 - iv. You can fight the fire with your back to an exit
 - v. To Reduce The Risk Of Fire Or Electric Shock, Do Not Use This Fan With Any Solid-State Speed Control Device.
 - vi. To provide protection against electric shock, connect to properly grounded outlets only.

CAUTION: For General Ventilating Use Only. Do Not Use To Exhaust Hazardous Or Explosive Materials and Vapors.

FEATURES:

Range Hood is designed for designer's kitchen with the range hood install directly above cooking appliances against a wall. This hood is a highlight and show piece in your kitchen and at the same time provide you with the benefit of extracting the grease and smoke from your cooking.

Please refer to the instruction below



WARNING : This product can expose you to chemicals including [Lead, lead and lead compound, which is [are] known to the state of California to cause cancer and birth defects or other reproductive harm. For more information go to www.P65Warning.ca.gov.

Range Hood Safety



1. TO REDUCE THE RISK OF FIRE, USE ONLY METAL DUCTWORK.
2. GROUNDING INSTRUCTIONS

This appliance must be grounded. In the event of an electrical short circuit, grounding reduces the risk of electric shock by providing an escape wire for the electric current. This appliance is equipped with a cord having a grounding wire with a grounding plug. The plug must be plugged into an outlet that is properly installed and grounded.

WARNING

Improper grounding can result in a risk of electric shock. Consult a qualified electrician if the grounding instructions are not completely understood, or if doubt exists as to whether the appliance is properly grounded. Do not use an extension cord. If the power supply cord is too short, have a qualified electrician install an outlet near the appliance.

CAUTION

- To reduce risk of fire and to properly exhaust air, be sure to duct air outside
- Do not vent exhaust air into spaces within walls or ceilings or into attics, crawl spaces, or garages.

NOTE: remove protective film (if any) from the exterior surfaces of the hood carefully prior to final installatio

DESCRIPTION / CONNECTION

This range hood should be mounted directly to the support frame mounting, where the support frame flue shall secure to the ceiling joist or framework.

- Ductwork can be installed vertically or horizontally.
- Duct runs should be as short as possible.
- Avoid the use of elbows.
- Use duct tape at all joints.
- Do not use duct smaller than the discharge on the hood.

LOCATION PREPARATION

The installation in this manual is intended for qualified installers, service technicians or persons with similar qualifie background. DO NOT attempt to install this appliance yourself. Injury could result from installing the unit due to lack of appropriate electrical and technical background.

All electrical wiring must be properly installed, insulated and grounded. Overly accumulated grease in old duct work should be cleaned out or duct work should be replaced if necessary to avoid the possibility of a grease fire. Check all joints on duct work to insure proper connection and all joints should be properly taped.

Note 1 : On stainless steel hoods, carefully remove the plastic protective film from all exterior surfaces of the hood and chimney prior to final installation.

Note 2 : At least two people will be required to mount the hood.

Clearance

MOUNT HEIGHTS & CLEARANCE:

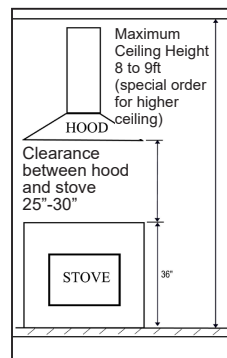
Minimum mount height between range top to hood bottom should be no less than 25"
Maximum mount height should be no higher than 30"

It is important to install the hood at the proper mounting height. Hoods mounted too low could result in heat damage and fire hazard; while hoods mounted too high will be hard to reach and will loose its performance and efficien .

If available, also refer range manufacturer's height clearance requirements and recommended hood mounting height above range.

* Maximum ceiling clearance 106.5" at 27.5" hood mounting height from stove (different models may varies)

** For higher ceiling, extension of the chimney and the decorative cover is available to purchase, if require.



Clearance (continued)

NEVER exhaust air or terminate duct work into spaces between walls, crawl spaces, ceiling, attics or garages.

All exhaust must be ducted to the outside.

Use Metal ductwork only.

Fasten all connections with sheet metal screws and tape all joints w/ certified Silver Tape or Duct Tape.

Duct Run Calculation:

Maximum run 6" or 3-1/4 x 10" duct	100FT
Deduct:	
Each 90 Elbow used	15FT
Each 45 Elbow used	9FT
Each 6" to 3/14 x 10"	1FT
Transition used	
Each 3/14 x 10" to 6"	5FT
Transition used	
Side Wall Cap w/ damper	30FT
Roof Cap	30FT

e.g. – 1 roof cap, 2x90 elbows,
1x45 elbow = 30' + 30' + 9'=69' used,
31' available for straight duct runs

DUCT SIZE

A minimum of 6" round duct must be used to maintain maximum airflow efficie .

Flexible ducts are provided for convenience, always use rigid type metal ducts if available to maximizing airflow .

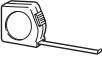






Also use calculation (on left) to compute total available duct run when using elbows, transitions and caps.


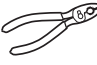





ALWAYS, when possible, reduce the number of transitions and turns. If required a long duct increase duct size from 6" to 7 or 8" .





If a reducer is used, install a long reducer instead of pancake reducer. Reduce duct size as far away from opening as possible.

If turns or transitions are required: Install as far away from opening and as far apart, between 2, as possible.

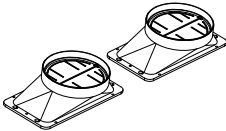
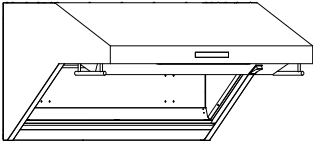


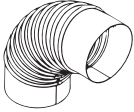

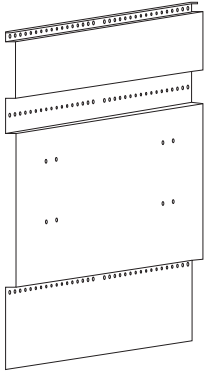





Tools Required

Check Box	Tools
	Tape measure 
	Certifie duct tape 
	Utility knife 
	Pencil 
	Level 
	Safety goggles 
	Screwdriver 

Check Box	Tools
	Wire Nut 
	Wire cutter & pliers 
	Adjustable wrench 
	Drill 1/8" & 3/8" bits 
	Hammer 
	Safety gloves 
	Saber Saw 

Check Box	Tools
	20 Amp Wire With ground (120v 60Hz) 
	10" duct. Length to suit The Installation. 
	Keyhole Saw 
	Metal Snips 

Names of parts

supplied Parts	
 <p>6" round outlet adapter with damper (2x)</p>	 <p>Hood range</p>
 <p>Stainless Steel and Aluminum Mesh Hybrid filter (4x)</p>	 <p>Warming shelf</p>
 <p>6" round pipe (2x)</p>	 <p>Heat light bulb (3)</p>
 <p>Installation plate</p>	 <p>M3.5 x 30mm self tapping screws(18x)</p>
	 <p>M4 x 8mm self tapping screws (10x)</p>
	 <p>M4 x 12mm self tapping screws(4x)</p>
 <p>Backsplash</p>	 <p>M4 x 10mm screws with flat washers(2x)</p>

Installation

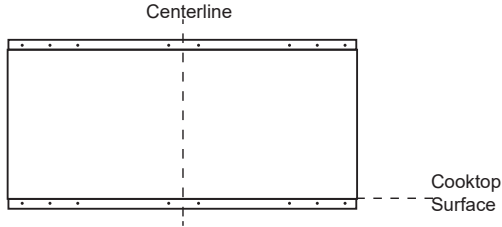
INSTALLATION INSTRUCTIONS

- Use a level to draw the cooktop centerline location. Draw the line to ceiling height.
- Use a level to draw the cooktop surface location



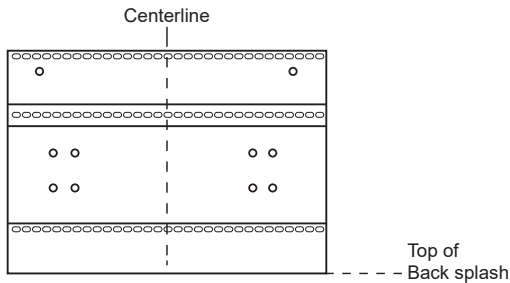
1. INSTALL BACK SPLASH:

- A. Remove packaging.
 - B. Place back splash against the wall and match the centerline and cooktop surface.
 - C. Use M3.5x30mm self tapping screws to fix back splash into wall through the holes at top and bottom of back splash (2x at top,2x at bottom).
- NOTE: Make sure screws install at vertical studs of wall as more as possible.

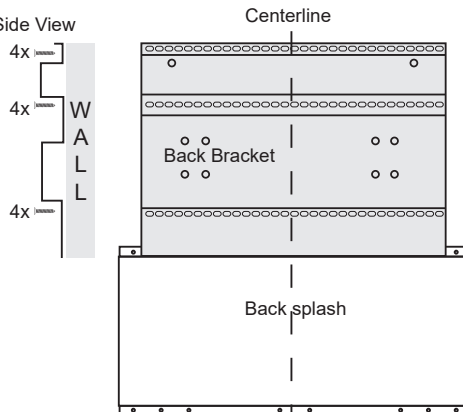


2. INSTALL BACK BRACKET ONTO THE WALL

- A. Remove packaging
 - B. Place back bracket against the wall and match the centerline and top of back splash
 - C. Use M3.5x30mm self tapping screws to fix back bracket to the wall through the hole at top, middle, bottom of back bracket(4x at top,4x at middle,4x at bottom)
- NOTE: Make sure screws install at vertical studs of wall as more as possible



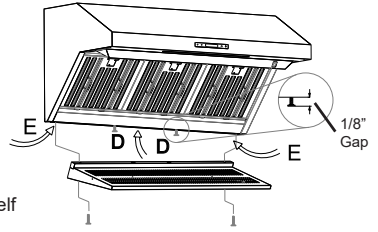
Side View



Installation (continue)

INSTALL WARMING SHELF

1. Install 2x M4x8mm self tapping screws into holes "D" in the bottom of hood flange leaving 1/8" gap.
2. Remove shelf packaging and protective film (if have) • Engage self tapping screws into the keyhole slots in the top of the shelf. Slide shelf towards the left to lock into place.
3. Install 2x M4x10mm screws with washers through the bottom of the shelf into the bottom hood flange locate "E"

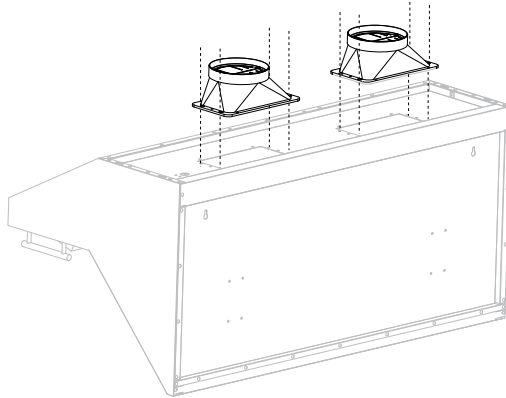


INSTALL HOOD ONTO WALL SKIP THIS STEP IF INSTALLING BENEATH A SOFFIT OR CABINET

INSTALL OUTLET ADAPTER ONTO TOP OF HOOD

Important: Check That Damper Moves Freely

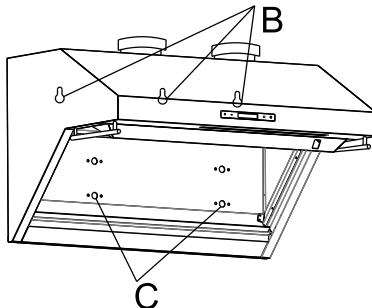
- Place the outlet adapter (2x) over the hood exhaust and secure with 4x M4x12mm self tapping screws
- Use duct tape to seal the connection. Check to be sure the damper moves freely.



HANG HOOD ON BACK BRACKET

- Lift the hood and hold it close to the mounting bracket, Line up mounting holes in "B" position.
- Make sure the screw head on the bracket is engaging into the keyhole slots on the back of the hood.
- Slide down the hood to make it hang correctly on the bracket Tighten the screws in the "B" position.
- Make sure the hood is leveled and centered. 8 holes in the "C" position must line up with bracket holes properly.
- Install 8xM4x8mm self-tapping screws through the back of the hood in the "C" position and tighten to the mounting bracket.

INSTALL HOOD TO SOFFIT OR BENEATH CABINETS

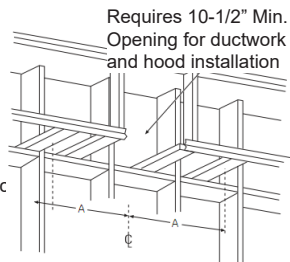


Installation (continue)

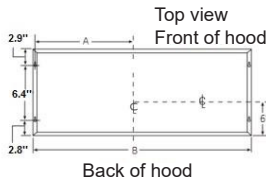
SKIP THIS STEP IF USING WALL MOUNTING METHOD

When necessary, the hood may be installed so that it is supported by the soffit

- The soffit should be constructed with 2x 4s
- Determine the installation location on the wall.
- Continue the centerline forward on the bottom of the cabinet or soffit
- The opening above the hood should allow for the 6" x2 round duct and clearance to slide the hood back against the wall.
- The 2 x 4 studs must be located as shown in the chart, Dim. A. to accept mounting screws.



"A" Centerline to Stud and Keyhole Slots	"B" Hood Width At the Top
29.06"	59.06"



- Drill 1/8" pilot holes into the studs at the locations shown in the top view illustration.

IMPORTANT: Soffit framing must be capable of supporting up to 150lbs.

Install Outlet Adapter Onto Top of Hood

IMPORTANT: Check that damper moves freely

- Place the outlet adapter (2x) over the hood exhaust and secure with 4x M4x12mm self tapping screws
- Use duct tape to seal the connection. Check to be sure the damper moves freely.

MOUNT HOOD ONTO SOFFIT OR CABINET

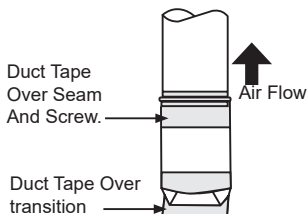
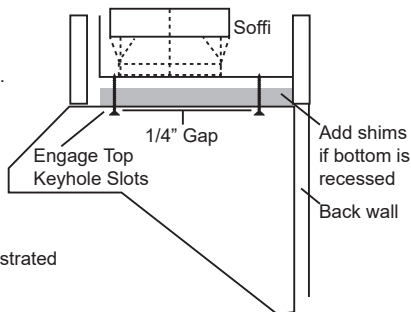
Note: If mounting to the underside of a cabinet with a recessed bottom, install shims to fill the gap

- Drive mounting screws into the studs until they protrude 1/4". The 1/4" gap will provide clearance to engage the keyhole slots in the top of the hood.
- Lift hood to installation position.
- Lift hood onto mounting screws. Slide back against the rear wall.
- Tighten mounting screws.

IMPORTANT: For additional support and to minimize vibration during operation, the hood must be secured to the back wall. Use wall anchors to fasten bottom back of hood to the wall.

CONNECT DUCTWORK

- Install ductwork, making connections in direction of airflow as illustrated
- Wrap all duct joints with duct tape for an airtight seal.
- Use duct tape to seal the flange connection. Reach inside the hood and push the damper up to be sure it moves freely.



Installation (continue)

INSTALL FILTERS

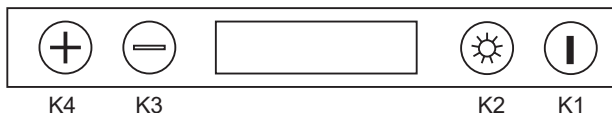
- Reassemble grease tray and hybrid filters into the hood.

ELECTRICAL CONNECTION

Electrical wiring must be done by a qualified person(s) in accordance with all applicable codes and standards.

- Turn off electrical power at service entrance before wiring.
- If the supply cord is damaged, it must be replaced by the manufacturer, its service agent or similarly qualified persons in order to avoid a hazard.
- Do not use the plug and an extension cord other than the ones initially supplied with the hood.
- The grounding of this hood is compulsory. Do not remove ground prong of the plug.
- To a risk of fire, electric shock, or injury to persons, for cleaning and user-maintenance, such as lubrication to unplug or disconnect the appliance from the power supply before servicing.

Operating Instruction



K1: POWER BUTTON

When the range hood is on, press K1 button to enter Power-Off Delay Timer, the Timer working time is 15 minutes, the range hood will turn off when the time reach 0. If you push K1 button again, the range hood will turn off.

When the range hood is off, press and hold on K1 button for 3 seconds will enter the clock adjustment mode, press

K4 INCREASE BUTTON and K3 DECREASE BUTTON to adjust the hour, press K1 button again, you can adjust the minutes, also press K4 INCREASE BUTTON and K3 DECREASE button to adjust minutes.

K2: LIGHT BUTTON

Press this button to turn on the light, once again, turn off light.

K3, K4: DECREASE BUTTON AND INCREASE BUTTON

Press these two buttons to adjust the speed when the range hood is on, to adjust the time when the range hood is in clock mode.

Maintenance & Cleaning

Surface Maintenance:

Clean periodically with hot soapy water and clean cotton cloth. Do not use corrosive or abrasive detergent (e.g. comet powder scrub, EZ-Off oven cleaner), or steel wool/scoring pads which will scratch and damage surface. For heavier soil use liquid degreaser such as 'Formula 409' or 'Fantastic' brand cleaner.

After cleaning, you may use non abrasive stainless steel polish/cleaners such as 3M or ZEP, to polish and buff out the stainless luster and grain. Always scrub lightly, with clean cotton cloth, and with the grain.

Stainless Steel Hybrid Filters:

The Filters fitted by the factory are intended to filter out residue and grease from cooking. It need not be replaced on regular basis but are required to be kept clean.

Filters should be cleaned after every 30 hours of use.

Remove and clean by hand in a basin of hot soapy water. The filter is also dishwasher safe. If heavily soiled, spray 'Formula 409' or equivalent degreasing detergent and leave to soak.

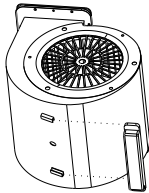
Dry filters and re-install before using hood.

Maintenance & Cleaning (continue)

OIL CUP

The oil cup should be cleaned often according to the amount of oil in the cup.

Clean oil cup by hand in a basin of hot soapy water. If heavily soiled, spray "Formula 409" or equivalent degreasing detergent and leave to soak. Slide oil cup out / in from the slot at the bottom of the block.



— Connector

HOOD CLEANING

The saturation of greasy residue in the blower and filters may cause increased inflammability. Keep unit clean and free of grease and residue build-up at all times to prevent possible fires.

Filters must be cleaned periodically and free from accumulation of cooking residue (see cleaning instructions inside). Old and worn filters must be replaced immediately. Do not operate blowers when filters are removed. Never disassemble parts to clean without proper instructions. Disassembly is recommended to be performed by qualified personnel only. Call our service center for removal instructions.

Stainless steel is one of the easiest materials to keep clean. Occasional care will help preserve its fine appearance.

Cleaning tips:

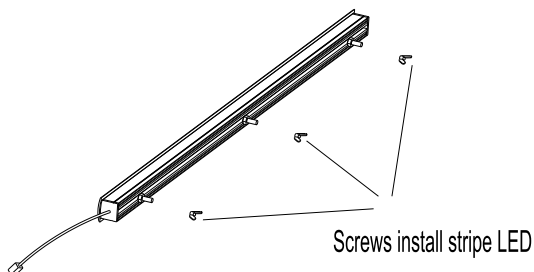
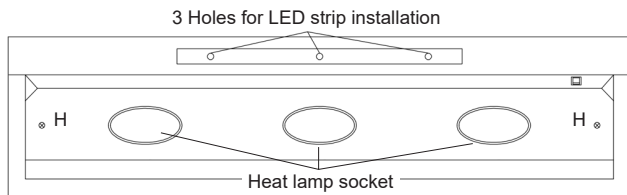
- Hot water with soap or detergent is all that is usually needed.
- Rinse with clear water. Wipe dry with a clean, soft cloth to avoid water marks.
- For discolorations or deposits that persist, use a non-scratching household cleanser or stainless steel polishing powder with a little amount of water and a soft cloth.
- For stubborn stain, use a plastic scouring pad or soft bristle brush together with cleanser and water. Rub lightly in direction of polishing lines or "grain" of the stainless finish. Avoid using too much pressure that may mar the surface.
- Do not allow deposits to remain for long periods of time.
- Do not use ordinary steel wool or steel brushes. Small bits of steel may adhere to the surface causing rust.
- Do not allow salt solutions, disinfectants, bleaches, or cleaning compounds to remain in contact with stainless steel for extended periods. Many of these compounds contain chemicals that may be harmful. Rinse with water after exposure and wipe dry with a clean cloth.
- Painted surfaces should be cleaned with warm water and mild detergent only.

Maintenance & Cleaning (continue)

WARNING

CAUTION-HOT SURFACE

Please ensure lights have been switched off for some time and the power source has been disconnected before replacing any globes. Please be aware that the light will retain heat for a short period of time after being switched off



HOW TO REPLACE STRIPE LED LIGHT

Step 1: Remove light panel by removing screws in "H" location

Note: Please take extra care and make sure you do not damage the range hood

Step 2: Turn the three screws anti-clockwise in the back of LED light

Step 3: Remove the LED light through Connector

Replace new stripe LED with connector and install three screws clockwise, attach light panel to hood with screws in the "H" location.

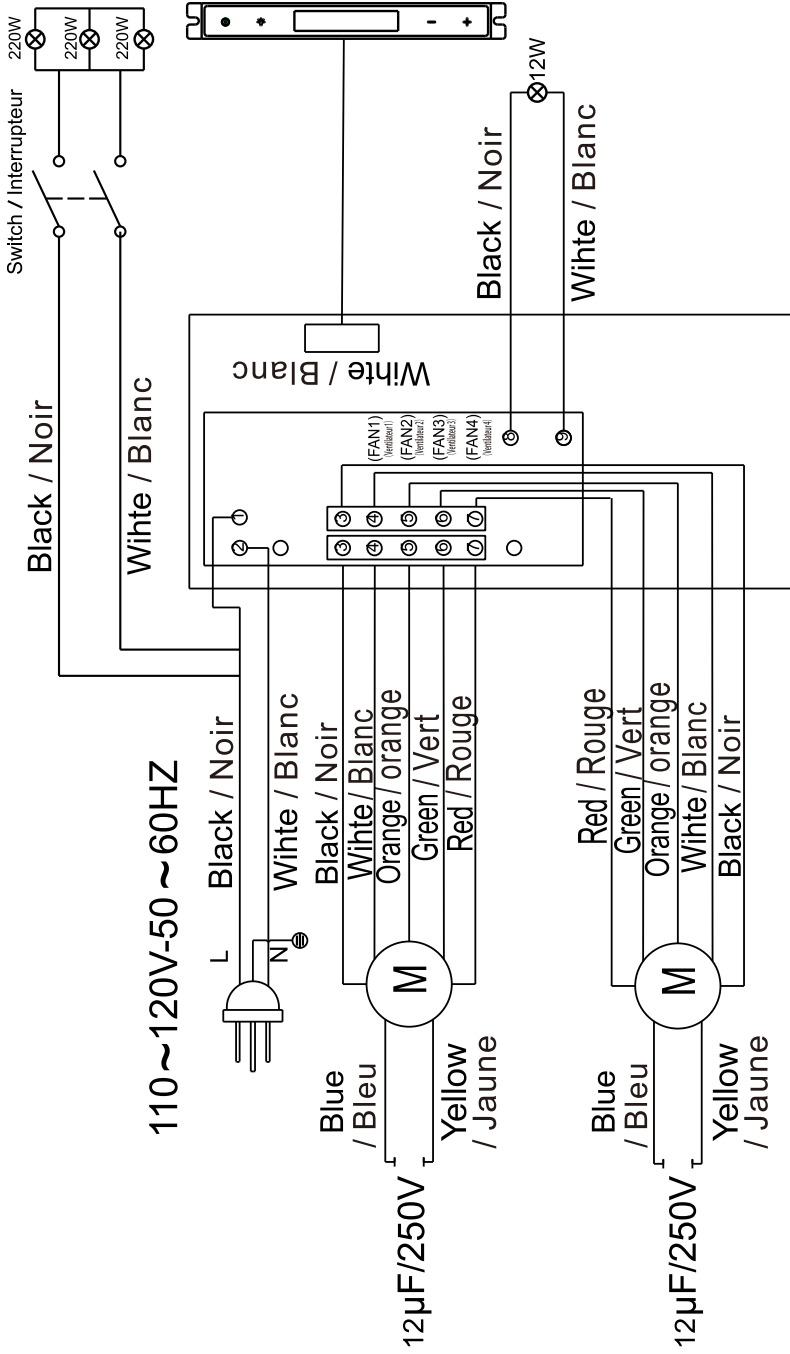
WARNING

CAUTION-HOT SURFACE Heating-lamp rated 120 VAC,220W Disconnected from the source of supply before install the light

CAUTION: DO NOT TOUCH SURFACE UNITS OR AREAS NEAR UNITS – Surface units may be hot even though they are dark in color. Areas near surface units may become hot enough to cause burns. During and after use, do not touch, or let clothing or other flammable materials contact surface units or areas near units until they have had sufficient time to cool. Among these areas are (identification of areas – for example, the cook-top and surfaces facing the cook-top).

HOW TO INSTALL HEAT LIGHT

Place the light into the light holder, turn clockwise to tighten heat light. Turn the heat light counterclockwise to disassemble.



Warranty

What this limited warranty covers:

The Warranty coverage provided by Forno Appliances in this statement applies exclusively to the original Forno appliance ("Product") sold to the consumer ("Purchaser") by an authorized Forno dealer/distributor/retailer, purchased and installed in the United States or Canada, and which has always remained within the original country of purchase (the United States or Canada). Warranty coverage is activated on the date of the Product's original retail purchase and has a duration of two (2) years. This warranty does not cover installation at the time of purchase or during replacement.

Warranty coverage is non-transferable. In the event of replacement of parts or of the entire product, the replacement Product (or parts) shall assume the remaining original Warranty activated with the original retail purchase document. This Warranty shall not be extended with respect to such replacement. Forno Appliances will repair or replace any component/part which fails or proves defective due to materials and/or workmanship within 2 years of the date of the original retail purchase and under conditions of ordinary residential, non-commercial use. Repair or replacement will be free of charge, including labor at standard rates and shipping expenses. Purchaser is responsible for making the Product reasonably accessible for service. Repair service must be performed by a Forno Authorized Service company during normal working hours.

Important

Retain proof of original purchase to establish warranty period. Forno's liability on any claim of any kind, with respect to the goods and/or services provided, shall in no event exceed the value of the goods or service or part thereof of which has given rise to the claim.

30-Day Cosmetic Warranty

The Purchaser must inspect the product at the time of delivery. Forno warrants that the Product is free from manufacturing defects in materials and workmanship for a period of thirty (30) days from date of the original retail purchase of the Product.

This coverage includes:

- Paint blemishes
- Chips
- Macroscopic finish defects

Cosmetic warranty does NOT cover:

- Issues resulting from incorrect transport, handling and/or installation (e.g.: dents, broken, warped or deformed structures or components, cracked or otherwise damaged glass components);
- Slight color variations on painted/enameled components;
- Differences caused by natural or artificial lighting location or other analogous factors; > stains/corrosion/ discoloration caused by external substances and/or environmental factors; > labor costs, display, floor, B-stock, out- of-box, "as is" appliances and demo units.

How to receive service

To receive warranty services, the Purchaser must contact the Forno Support department in order to determine the problem and the required service procedures. Troubleshooting with a customer service representative will be necessary before moving forward with the service. Model number, serial number and date of original retail purchase will be requested.

Warranty Exclusions: What Is Not Covered.

- Use of the Product in any non-residential, commercial application.
- Use of the Product for anything other than its intended purpose.
- Repair services provided by anyone other than a Forno Authorized Service agency.
- Damages or repair services to correct services provided by unauthorized parties or the use of unauthorized parts.
- Installation not in accordance with local/state/city/ county fire codes, electrical codes, gas codes, plumbing codes, building codes, laws or regulations.
- Defects or damage due to improper storage of the Product.
- Defects, damage or missing parts on products sold out of the original factory packaging or from displays. > Service calls or repairs to correct an incorrect installation of the Product and/or related accessories.
- Replacement of parts/service calls to connect, convert or otherwise repair the electrical wiring and/or gas line in order to properly use the product.
- Replacement of parts/service calls to provide instructions and information on the use of the Product.
- Replacement of parts/service calls to correct issues arising from the product being used in a manner other than what is normal and customary for residential use.
- Replacement of parts/service calls due to wear and tear of components such as seals, knobs, pan supports, shelving, cutlery baskets, buttons, touch displays, scratched or broken ceramic-glass tops.
- Replacement of parts/service calls for lack of/improper maintenance, including but not limited to: build up of residues, stains, scratches, discoloration, corrosion.
- Defects and damages arising from accidents, alteration, misuse, abuse or improper installation.
- Defects and damages arising from Product transport, logistics and handling. Inspection of the product must be made at time of delivery. Following receipt and inspection, the selling dealer/delivery company must be notified of any issues arising from handling, transport and logistics.
- Defects and damages arising from external forces beyond the control of Forno Appliances, including but not limited to wind, rain, sand, fires, floods, mudslides freezing temperatures, excessive moisture or extended exposure to humidity, power surges,
- Lightning, structural failures surrounding the appliance and other acts of God.
- Products whose serial number has been altered/ damaged/tampered with. In no case shall Forno be held liable or responsible for damage to surrounding property, including furniture, cabinetry, flooring, panels, and other structures surrounding the Product. Forno is neither liable nor responsible for the Product if it is located in a remote area or an area where certified trained technicians are not reasonably available. Purchaser must bear any transportation and delivery costs of the Product to the nearest Authorized Service Center or the additional travel expenses of a certified trained technician

Warranty (continued)

THERE ARE NO EXPRESS WARRANTIES OTHER THAN THOSE LISTED AND DESCRIBED ABOVE, AND NO WARRANTIES, EITHER EXPRESS OR IMPLIED, INCLUDING, BUT NOT LIMITED TO, ANY IMPLIED WARRANTIES OF MERCHANTABILITY OR FITNESS FOR A PARTICULAR PURPOSE THAT SHALL APPLY AFTER THE EXPRESS WARRANTY PERIODS STATED ABOVE, AND NO OTHER EXPRESS WARRANTY OR GUARANTEE GIVEN BY ANY PERSON, FIRM OR CORPORATION WITH RESPECT TO THIS PRODUCT SHALL BE BINDING ON FORNO. FORNO SHALL NOT BE LIABLE FOR LOSS OF REVENUE OR PROFITS, FAILURE TO REALIZE SAVINGS OR OTHER BENEFITS, TIME AWAY FROM WORK, MEALS, LOSS OF FOOD OR BEVERAGES, TRAVELING OR HOTEL EXPENSES, EXPENSES TO RENT OR PURCHASE APPLIANCES, REMODELING/CONSTRUCTION EXPENSES IN EXCESS OF DIRECT DAMAGES WHICH ARE UNDENIABLY CAUSED EXCLUSIVELY BY FORNO OR ANY OTHER SPECIAL, INCIDENTAL OR CONSEQUENTIAL DAMAGES CAUSED BY THE USE, MISUSE OR INABILITY TO USE THIS PRODUCT, REGARDLESS OF THE LEGAL THEORY ON WHICH THE CLAIM IS BASED, AND EVEN IF FORNO HAS BEEN ADVISED OF THE POSSIBILITY OF SUCH DAMAGES. NOR SHALL RECOVERY OF ANY KIND AGAINST FORNO BE GREATER IN AMOUNT THAN THE PURCHASE PRICE OF THE PRODUCT SOLD BY FORNO AND CAUSING THE ALLEGED DAMAGE. WITHOUT PREJUDICE TO THE FOREGOING, PURCHASER ASSUMES ALL RISK AND LIABILITY FOR LOSS, DAMAGE OR INJURY TO PURCHASER AND PURCHASER'S PROPERTY AND TO OTHERS AND THEIR PROPERTY ARISING FROM THE USE, MISUSE, OR INABILITY TO USE THIS PRODUCT SOLD BY FORNO THAT IS NOT A DIRECT RESULT OF NEGLIGENCE ON THE PART OF FORNO THIS LIMITED WARRANTY SHALL NOT EXTEND TO ANYONE OTHER THAN THE ORIGINAL PURCHASER OF THIS PRODUCT, IS NON-TRANSFERABLE, AND STATES YOUR EXCLUSIVE REMEDY.



Correct Disposal of this product:

This marking indicates that this appliance should not be disposed with other household wastes. To prevent possible harm to the environment or human health from uncontrolled waste disposal, recycle it responsibly to promote the sustainable reuse of material resources.



FOR
FAST SUPPORT
EMAIL AT **INFO@FORNO.CA** 

Customer Support: Call 1-866-231-8893 or email: info@forno.ca