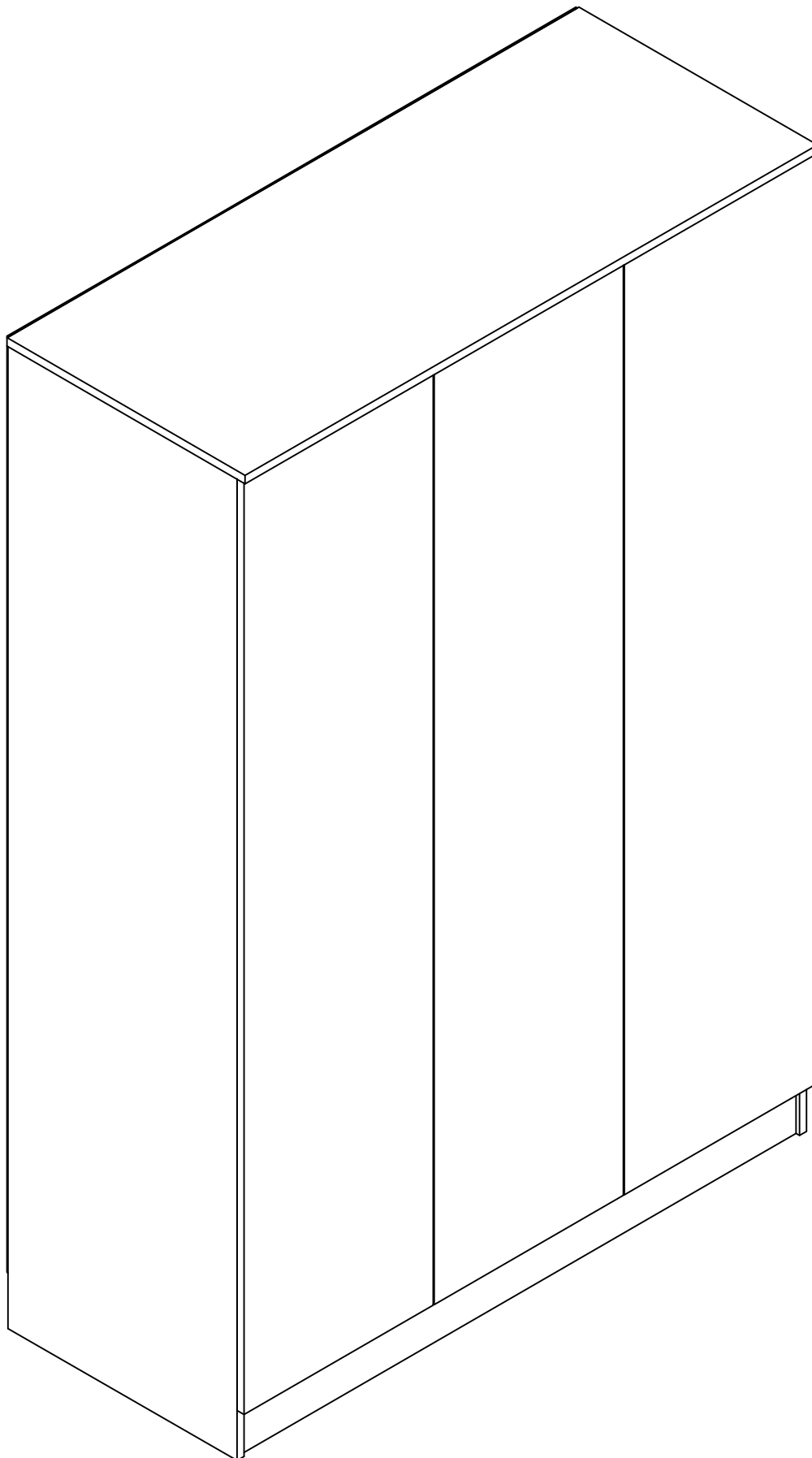


3 DOOR WARDROBE

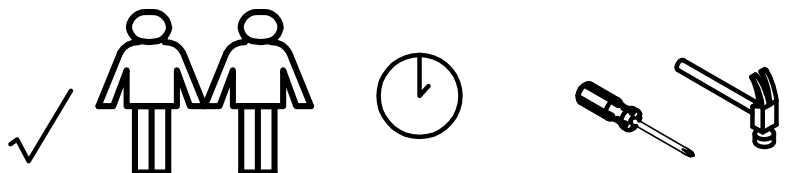
ASSEMBLY INSTRUCTION - Please Keep For Future Reference



Safety and Care Advice

IMPORTANT - Please Read This Instruction Carefully Before Assembly.

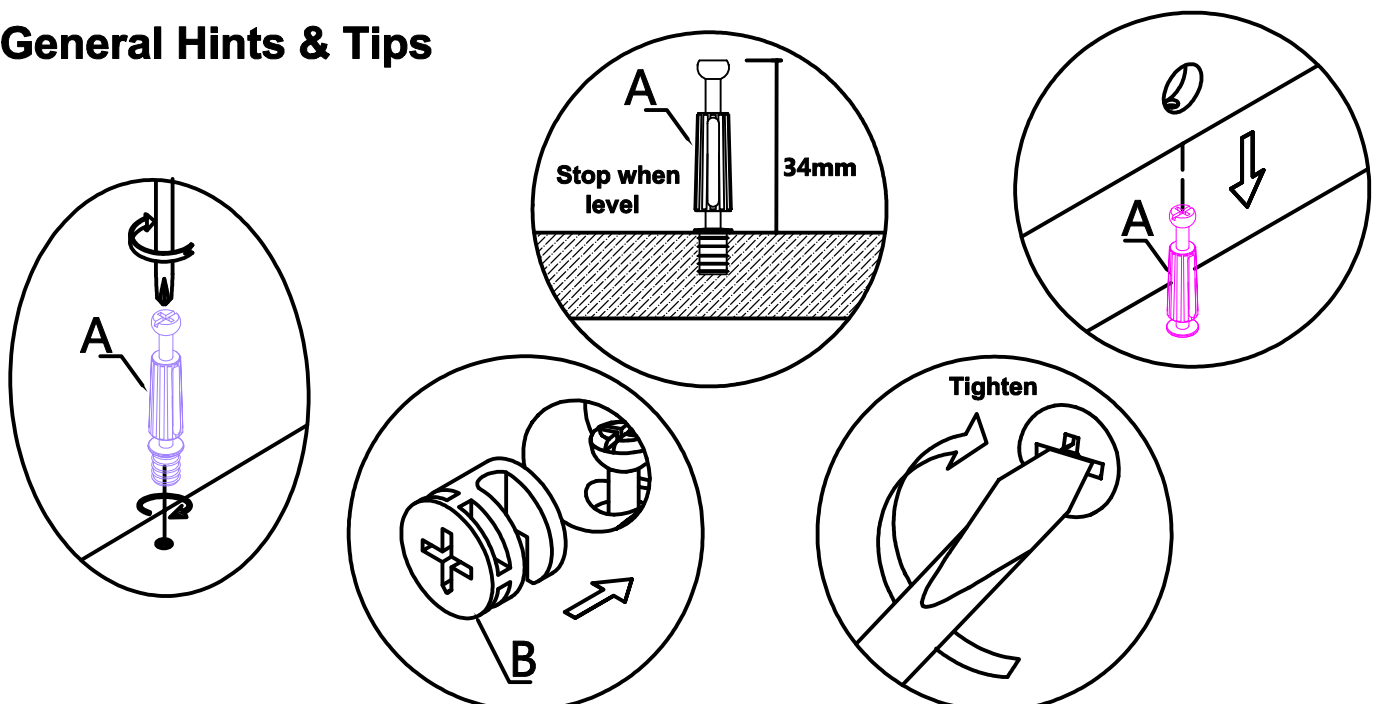
- Check you have all the components and tools listed on page 3.
- Do not stand or put weight on the product, this could cause damage.
- Do not use power drill/drivers for assembly, or the unit may be damaged.
- Remove all settings from the plastic bags and separate them into their groups.
- Assemble the item as close to it's intended position (in the same room) as possible.
- Assemble on a soft level surface to avoid damaging the unit.
- Dispose of all packaging carefully and responsibly.
- Keep children and animals away from the work area, small parts could choke if swallowed.
- Parts of the assembly will be easier with 2 people.
- Make sure you have enough space to layout the parts before assembly.



CARE and MAINTENANCE

- Only clean using a damp cloth and mild detergent, do not use bleach or abrasive cleaners.
- From time to time check that there are no loose screws on this unit.
- This product should not be discarded with household waste. Take to your local authority waste disposal center.

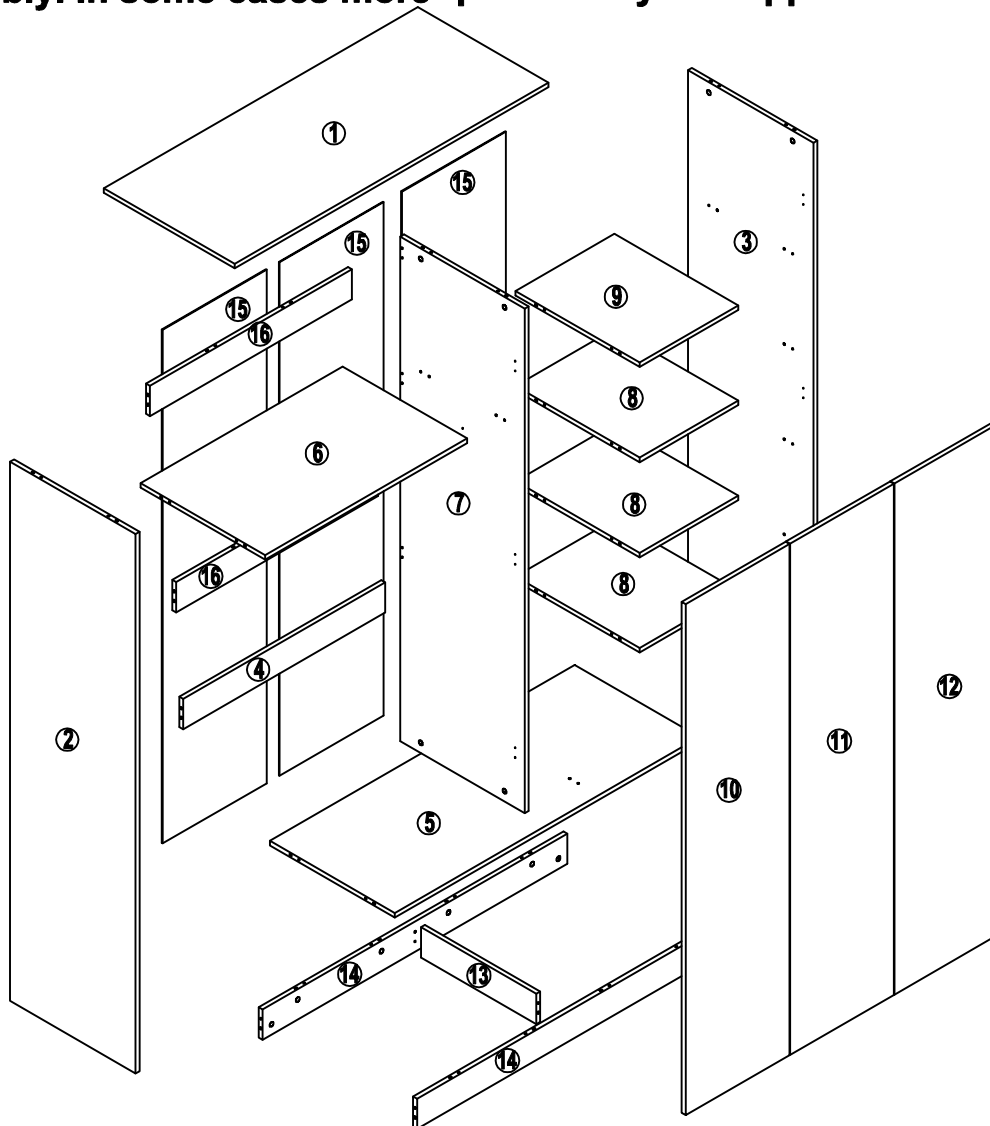
General Hints & Tips



Components and Tools

IMPORTANT - Please Check If You Have All The Components and Tools.

Note: The quantities below are the correct amount to complete the assembly. In some cases more pieces may be supplied than are required.



10F3 ②, ③, ⑦, ⑮X2.

20F3 ⑩, ⑪, ⑫.

30F3 ①, ④, ⑤, ⑥, ⑧ X3, ⑨, ⑬, ⑭X2, ⑯X2, FITTING KIT.

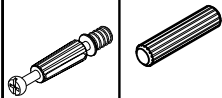


<p>A=58</p> <p>Peg M6*34mm</p>	<p>B=58</p> <p>Lock M15*12mm</p>	<p>C=54</p> <p>Dowel M8*30mm</p>	<p>D=62</p> <p>Screw M3.5*14mm</p>	<p>E=6</p> <p>Full Overly Door Hinge</p>	<p>F=8</p> <p>Plastic Feet</p>
<p>G=34</p> <p>Pin</p>	<p>H=3</p> <p>push-to-open mechanism</p>	<p>I=2</p> <p>Clothes Holder</p>	<p>J=1</p> <p>Clothes Bar 766mm</p>	<p>P=1</p> <p>Wall bracket</p>	

Assembly Instruction

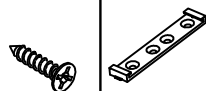
Step 1

A=10 C=4

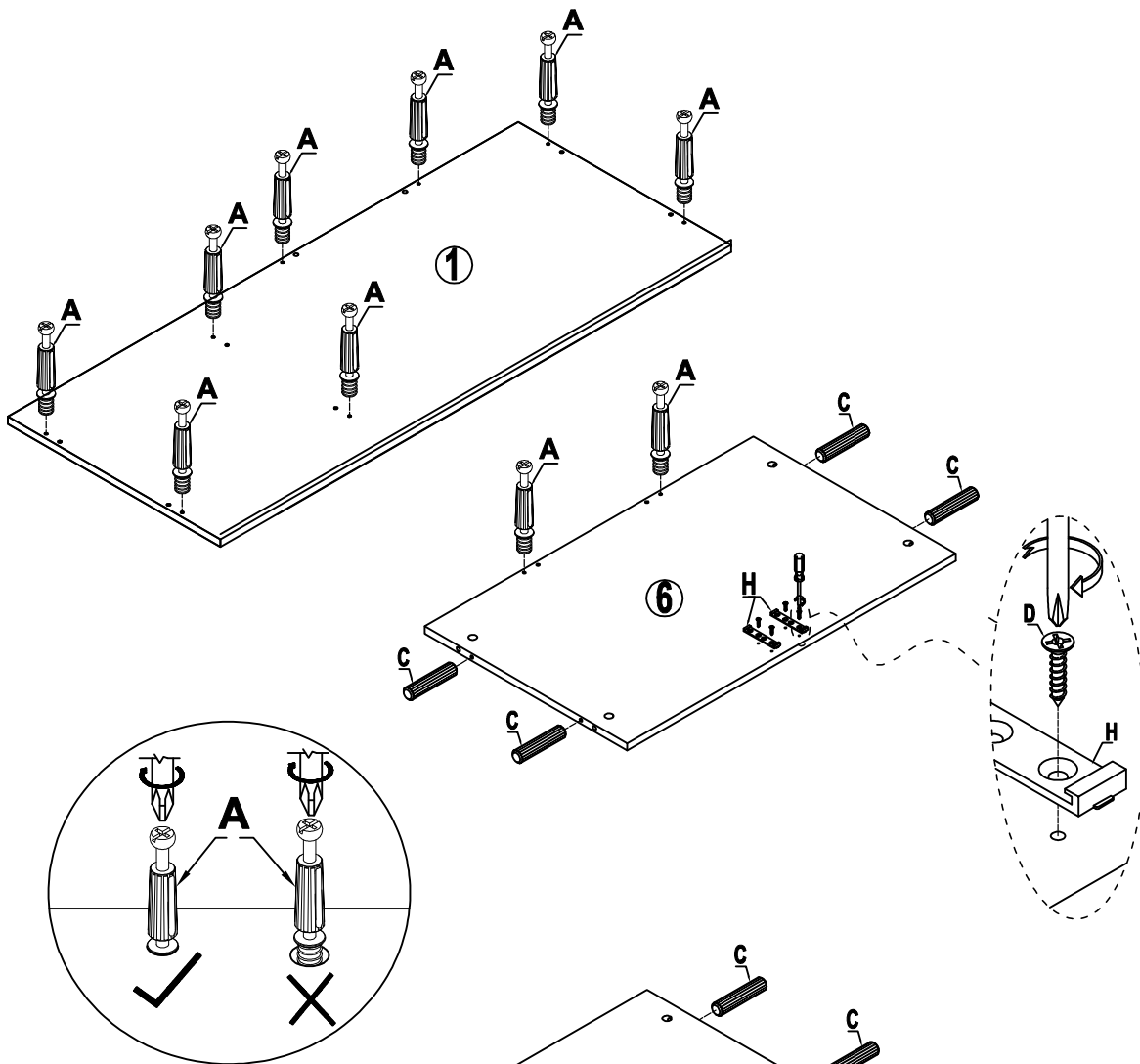


Peg Dowel

D=4 H=2

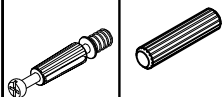


Screw M3.5*14mm
push-to-open mechanism

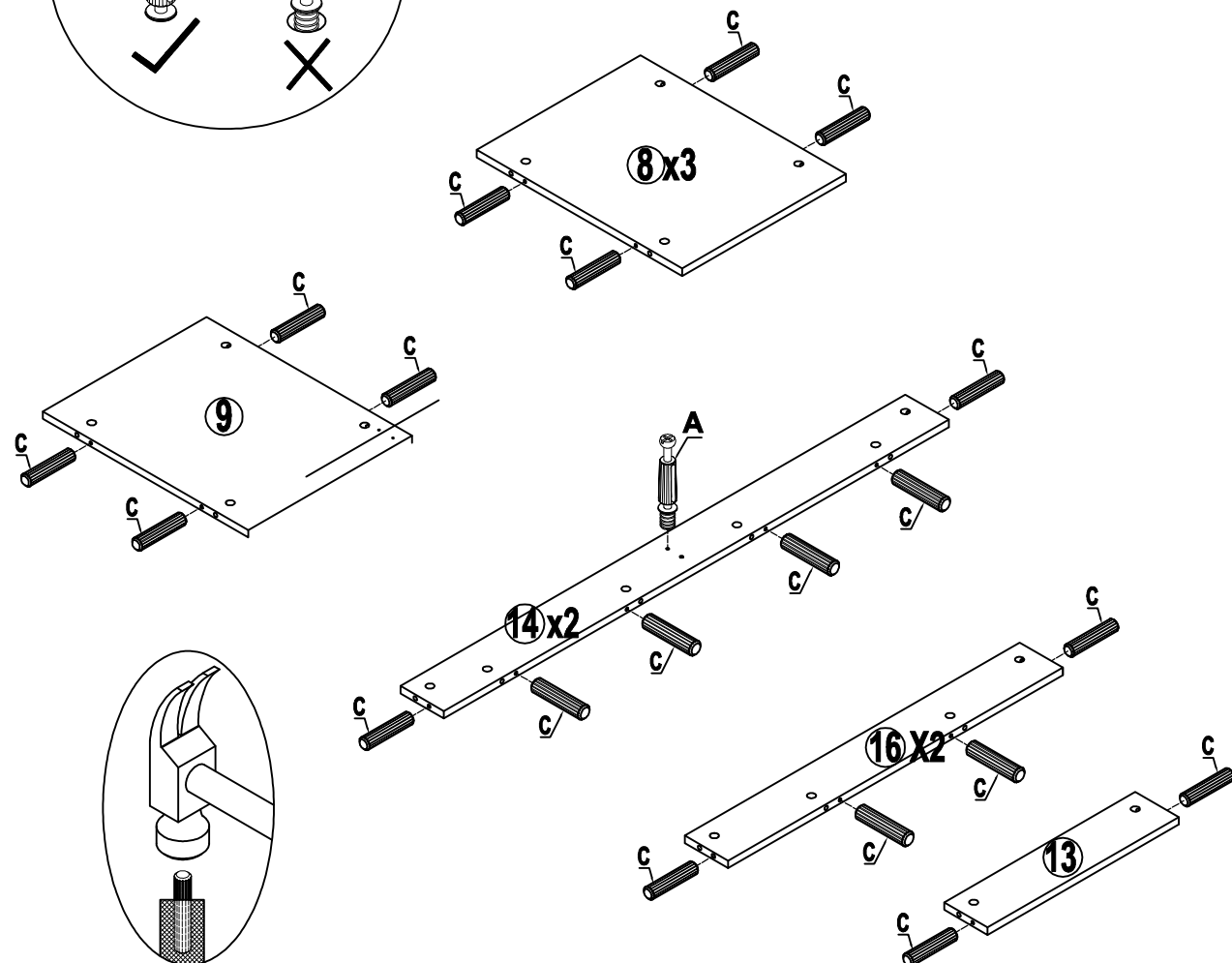


Step 2

A=2 C=38



Peg Dowel

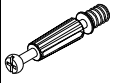


Assembly Instruction

Step 3

A=22

C=4



Peg

Dowel

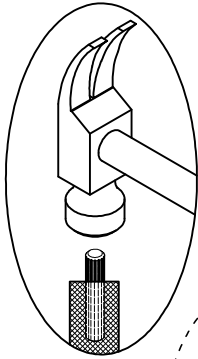
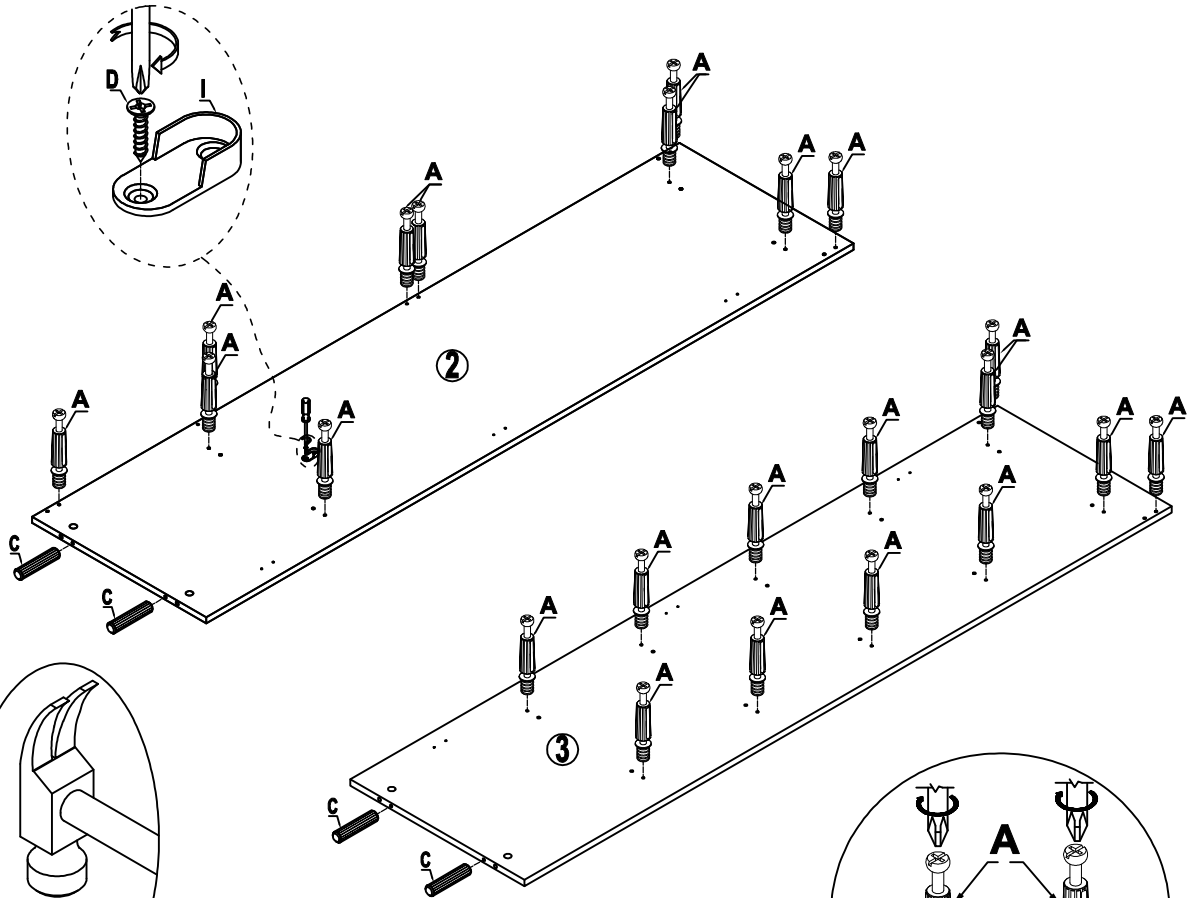
I=1

D=1



Clothes Holder

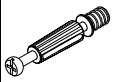
Screw
M3.5*14mm



Step 4

A=14

C=4



Peg

Dowel

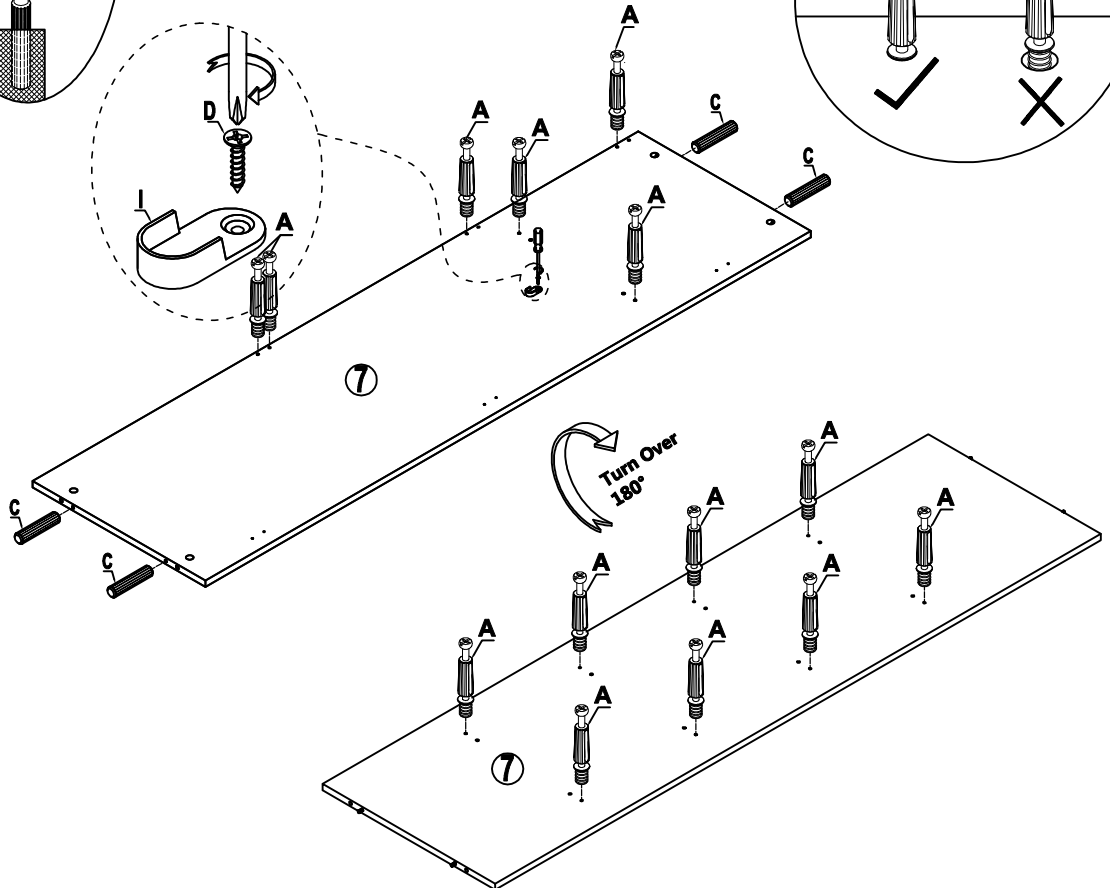
I=1

D=1



Clothes Holder

Screw
M3.5*14mm

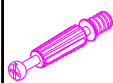


Assembly Instruction

Step 5

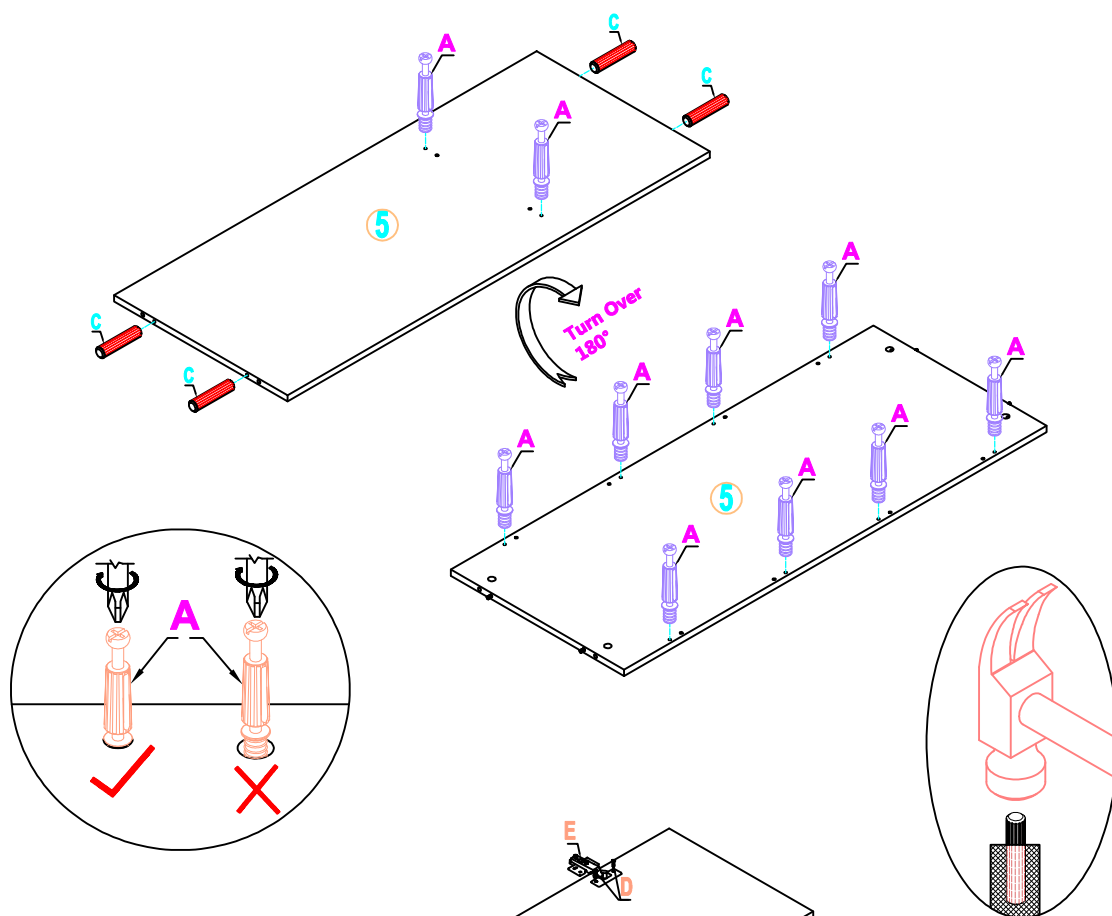
A=10

C=4



Peg

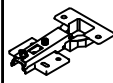
Dowel



Step 6

E=6

D=12

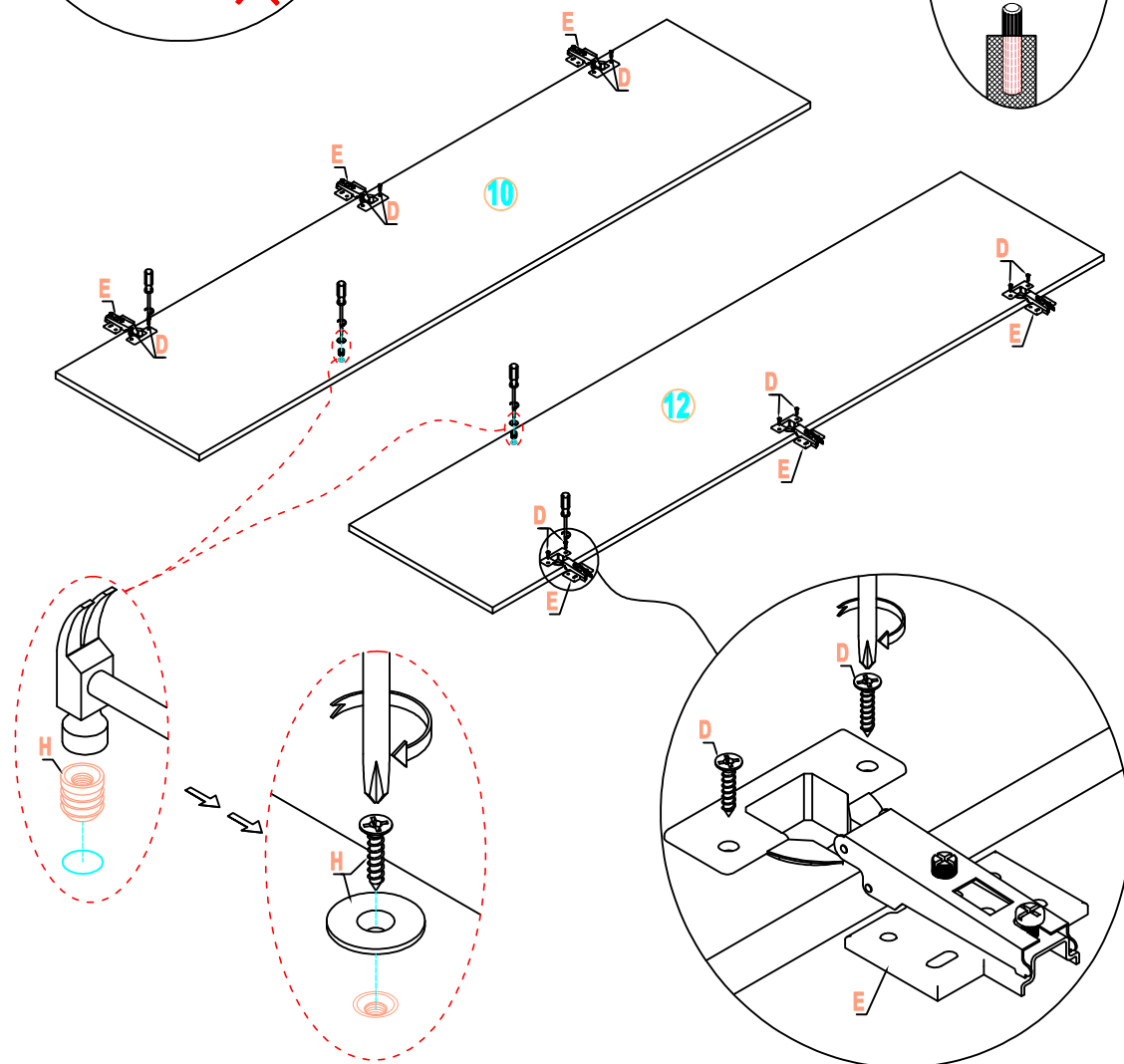


Full Overlay Door Hinge M3.5*14mm

H=2



push-to-open mechanism

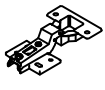


Assembly Instruction

Step 7

K=3

D=6

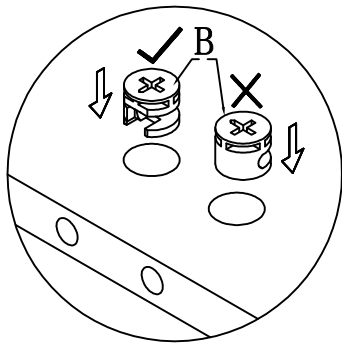
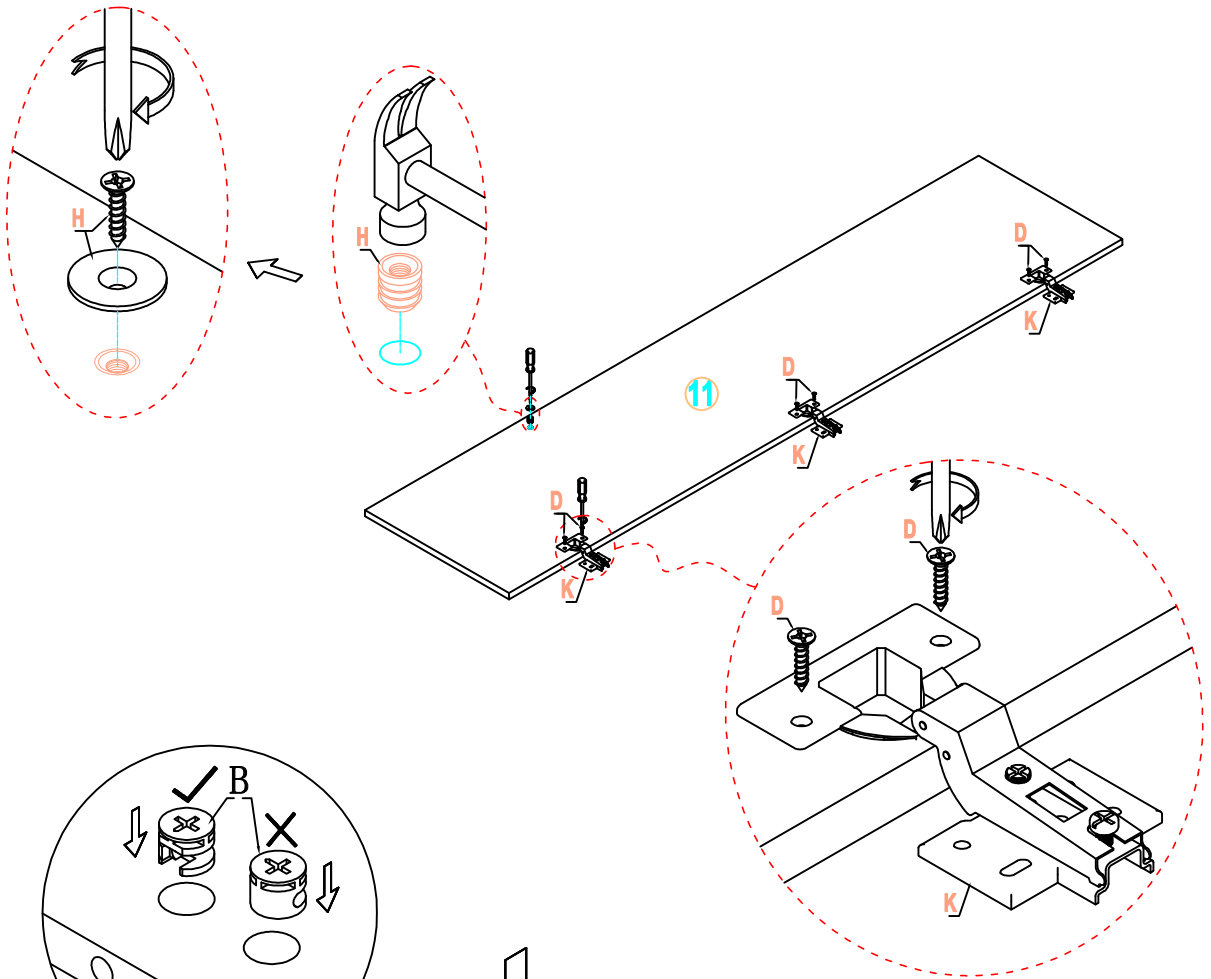


Full Overlay Screw
Door Hinge M3.5*14mm

H=1



push-to-open
mechanism

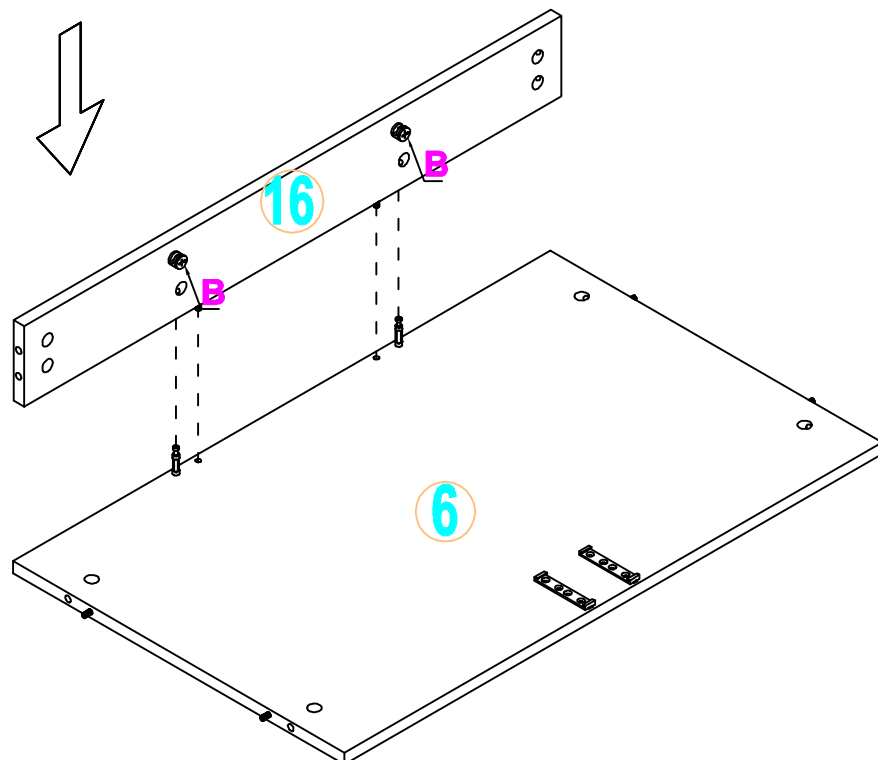


Step 8

B=2



Lock



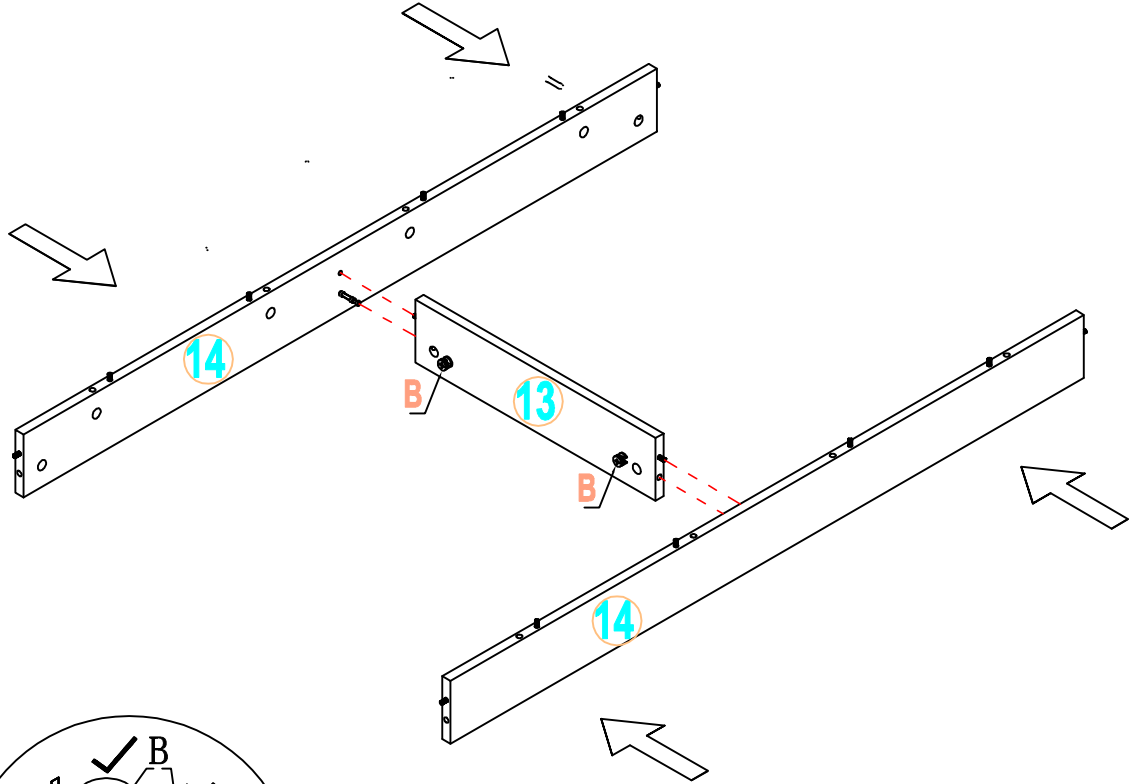
Assembly Instruction

Step 9

B=2



Lock

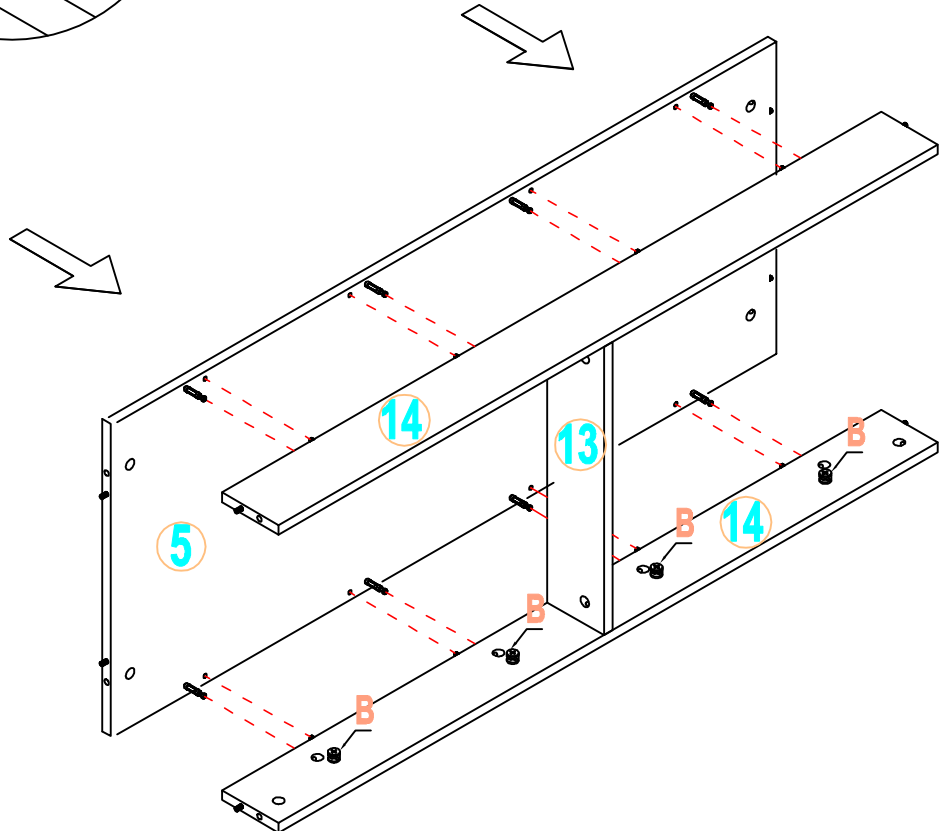


Step 10

B=8



Lock



Assembly Instruction

Step 11

B=2



Lock

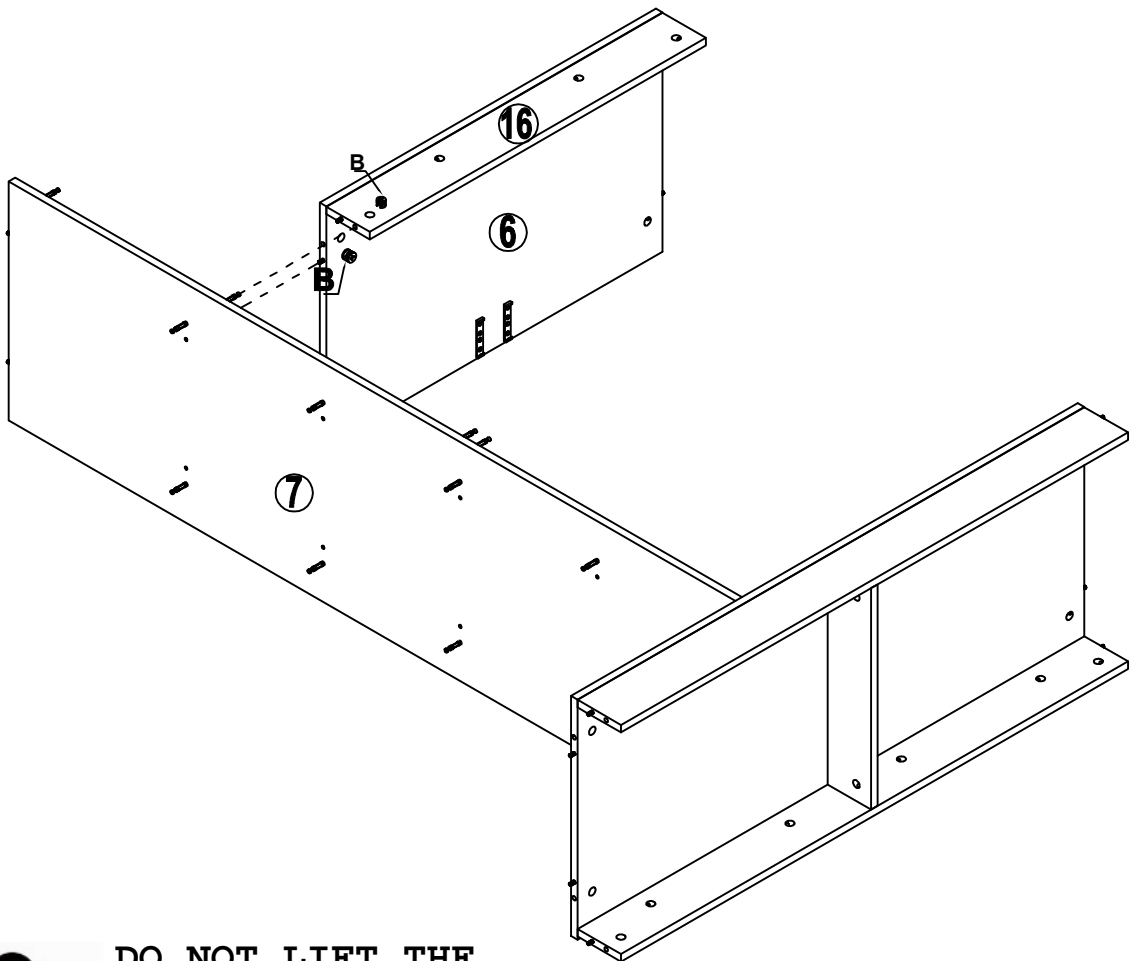


Step 12

B=3



Lock



DO NOT LIFT THE
WARDROBE UNTIL THE BACK
HAS BEEN FITTED

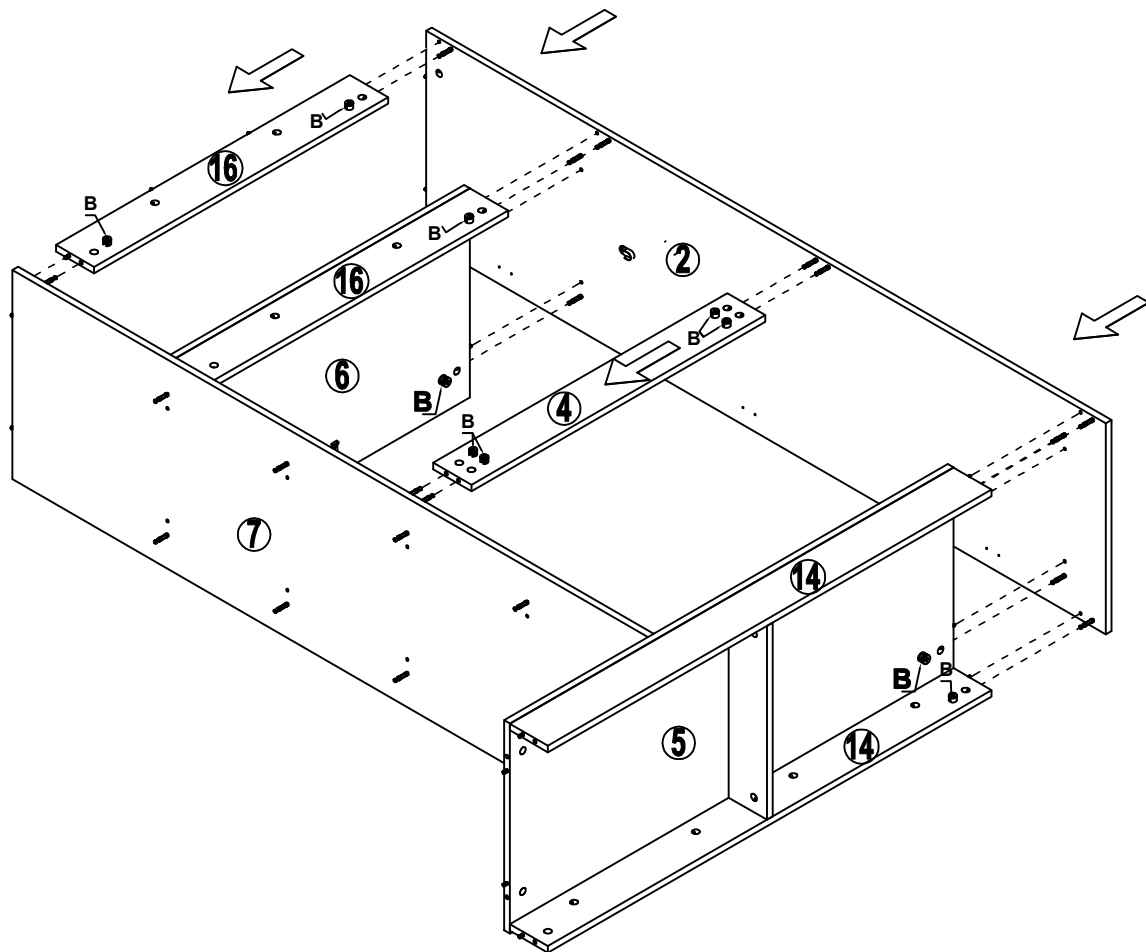
Assembly Instruction

Step 13

B=13



Lock

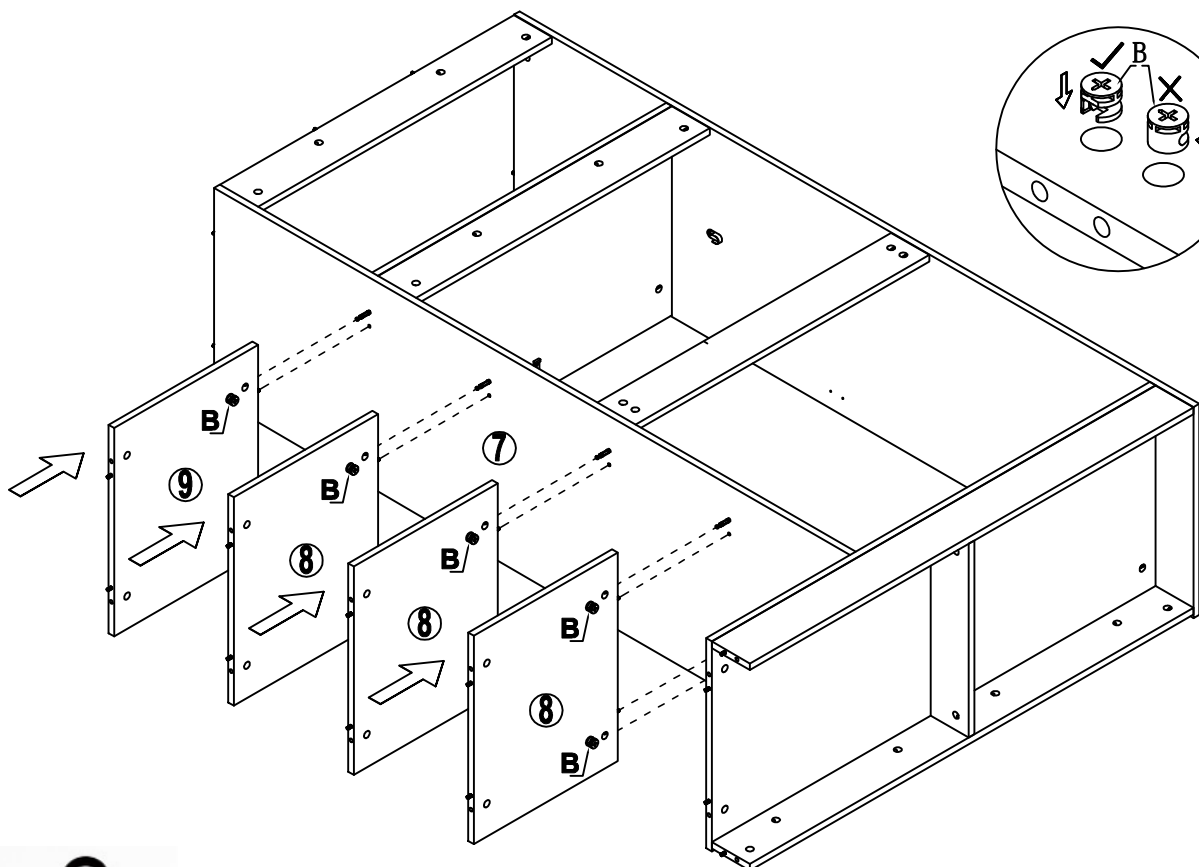


Step 14

B=8



Lock



DO NOT LIFT THE
WARDROBE UNTIL THE BACK
HAS BEEN FITTED

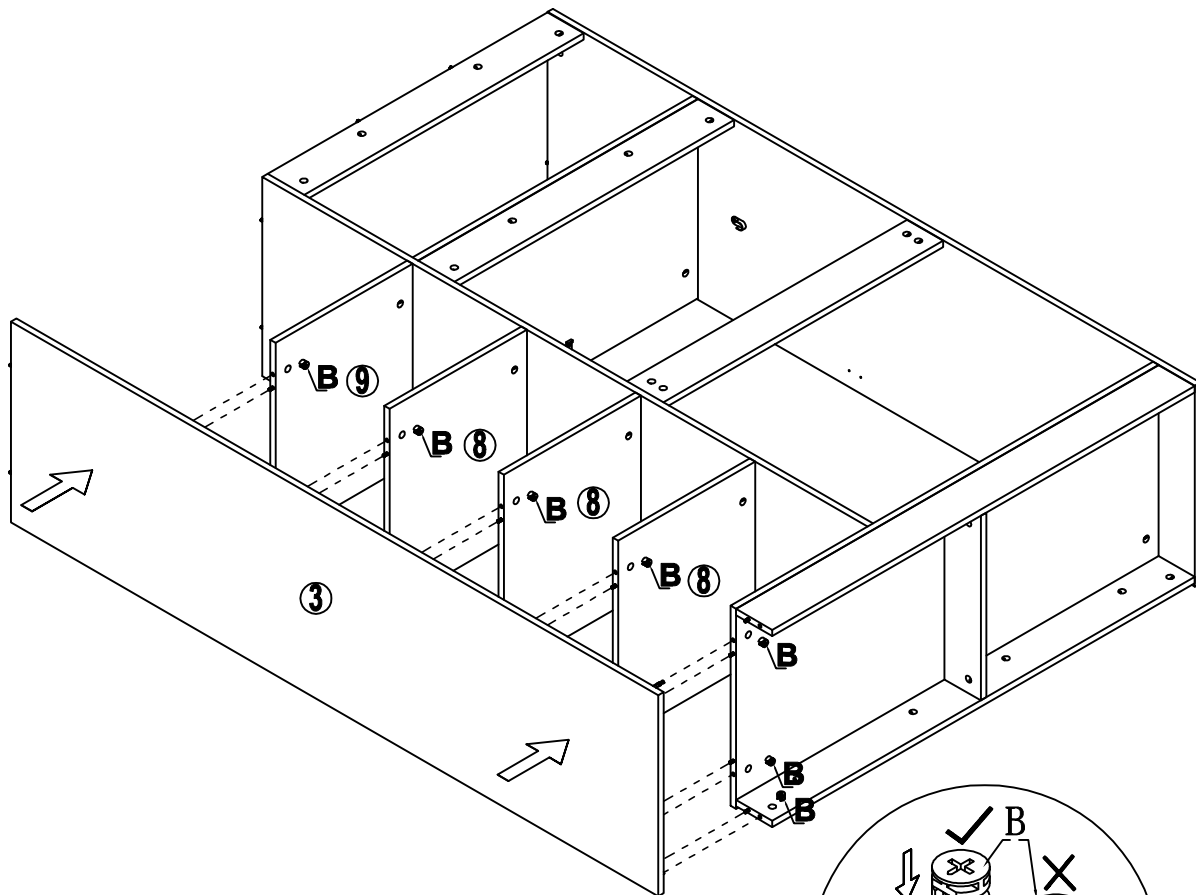
Assembly Instruction

Step 15

B=12



Lock

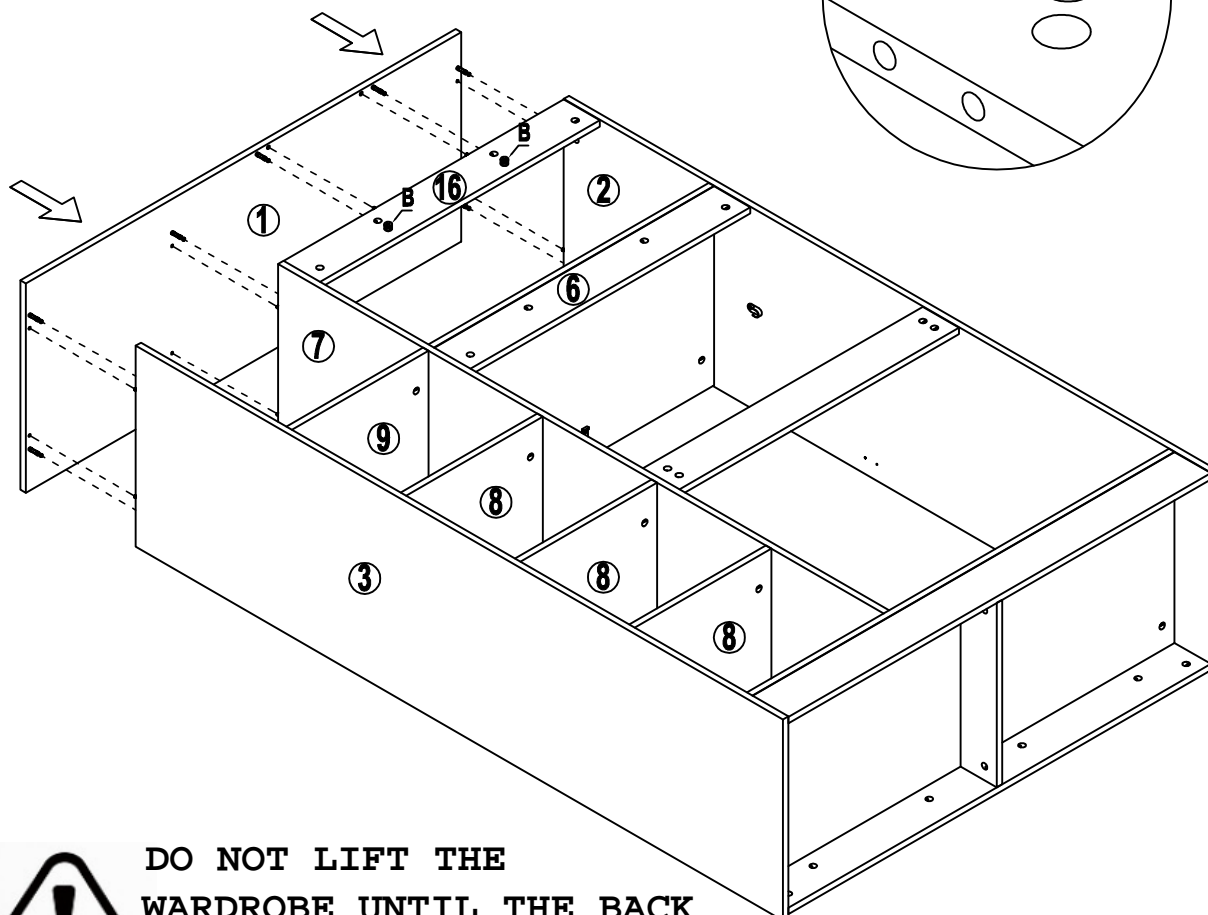


Step 16

B=8



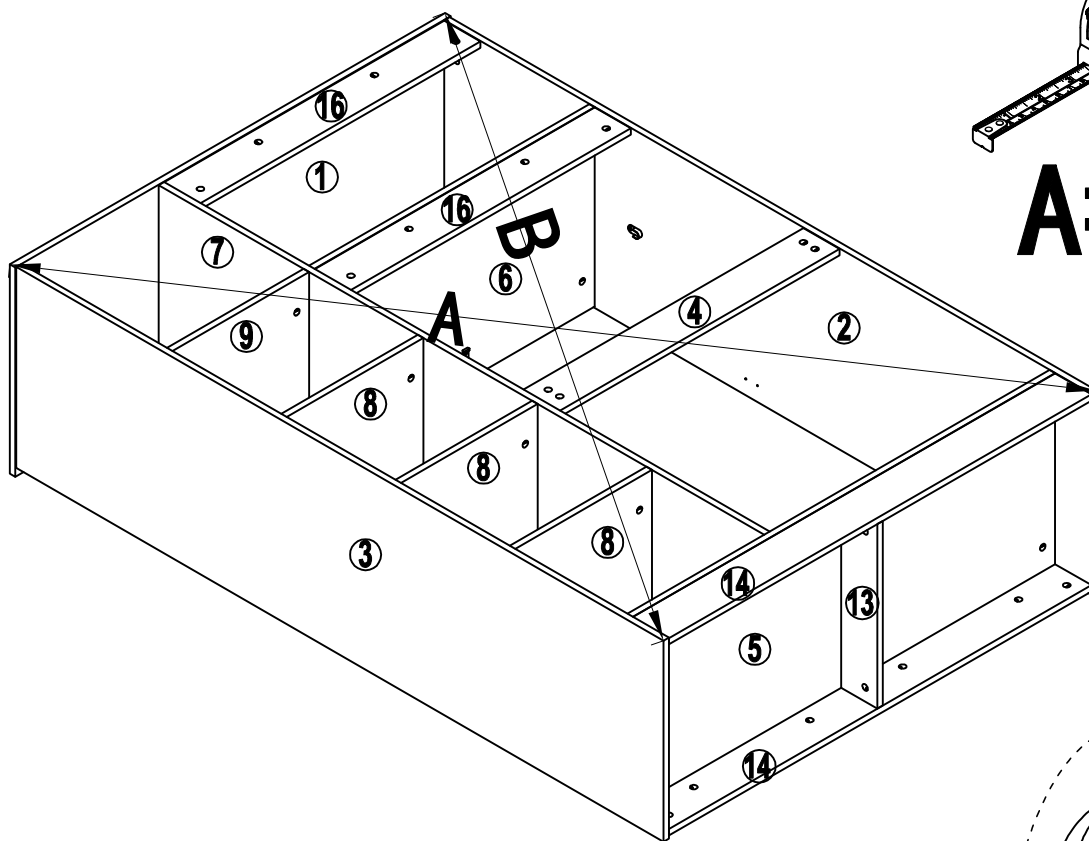
Lock



DO NOT LIFT THE
WARDROBE UNTIL THE BACK
HAS BEEN FITTED

Assembly Instruction

Step 17



A=B

Step 18

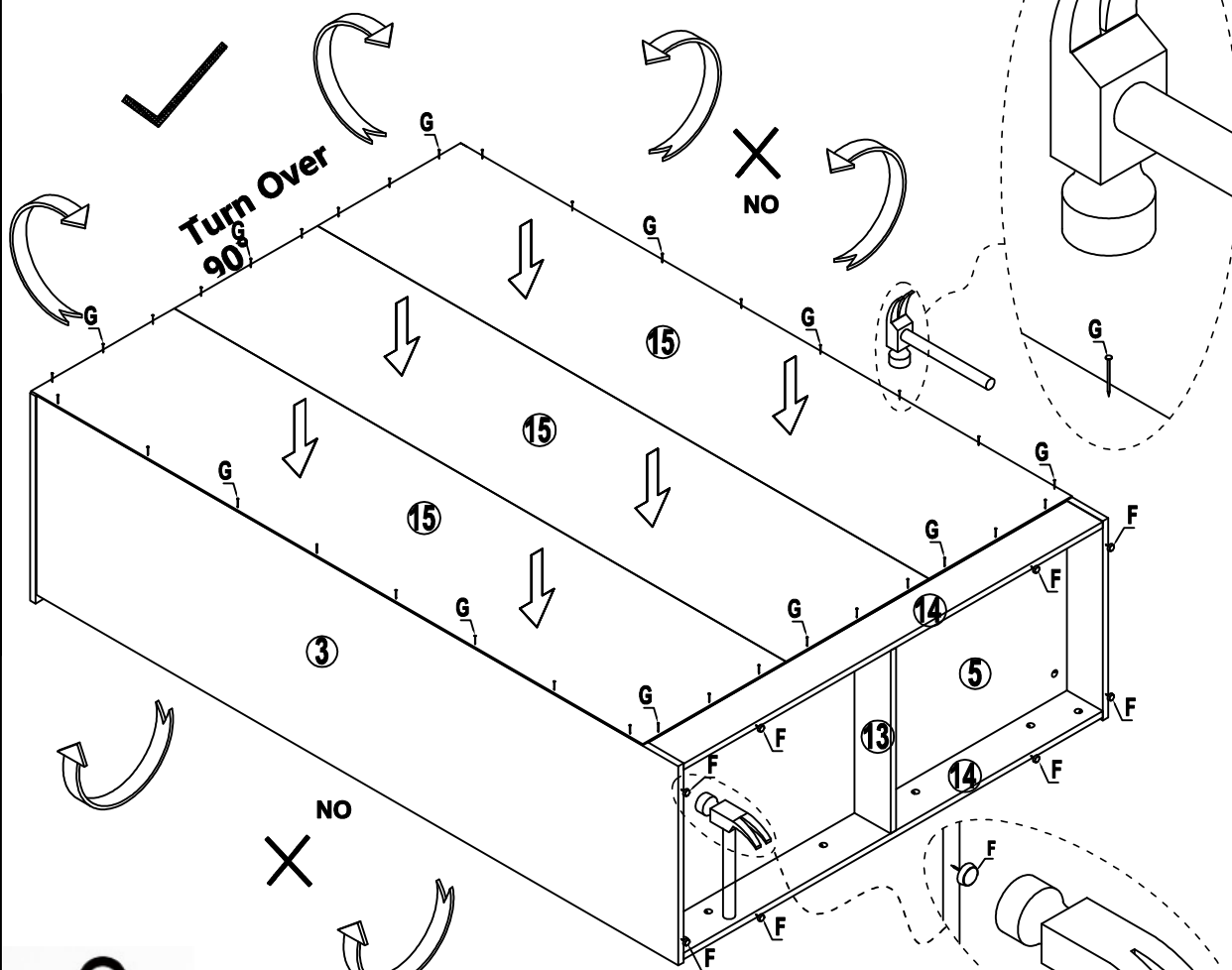
F=8

F=34



Plastic Feet

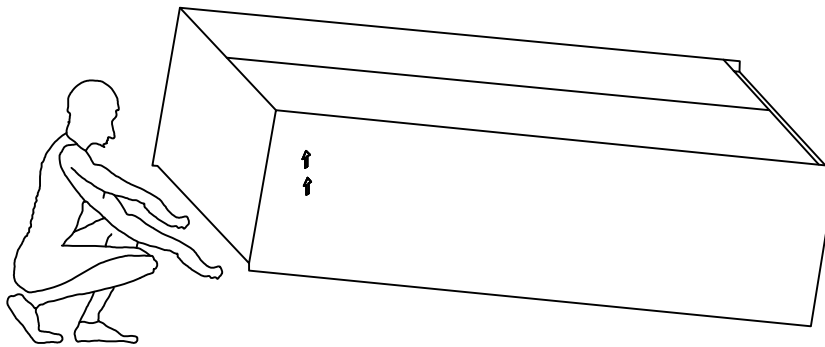
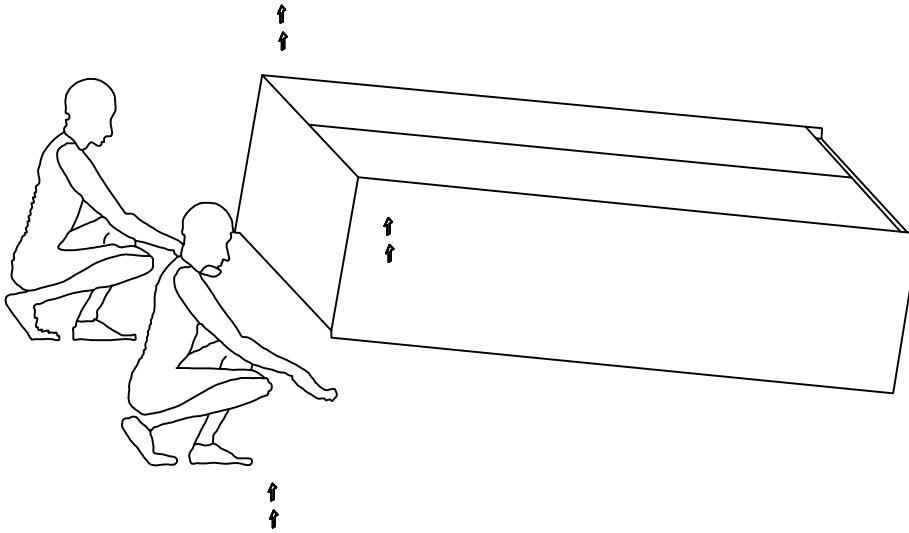
Pin



DO NOT LIFT THE WARDROBE UNTIL THE BACK HAS BEEN FITTED

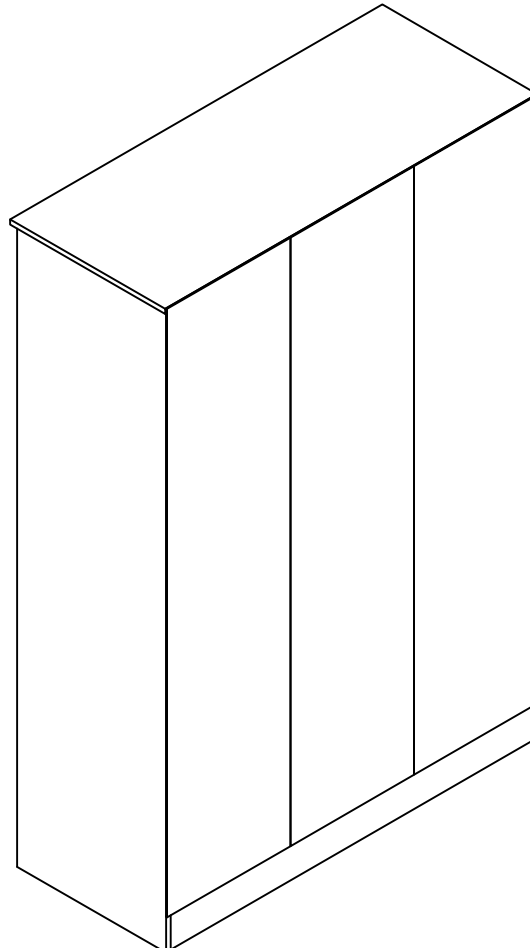
Assembly Instruction

Step 19



**MAKE SURE TO LIFT UP
WARDROBE FROM THE TOP PANEL SIDE**

Step 20



Turn Over
180°

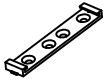
Turn Over
180°

Assembly Instruction

Step 21

J=1

H=1

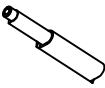


Clothes Bar

push-to-open mechanism

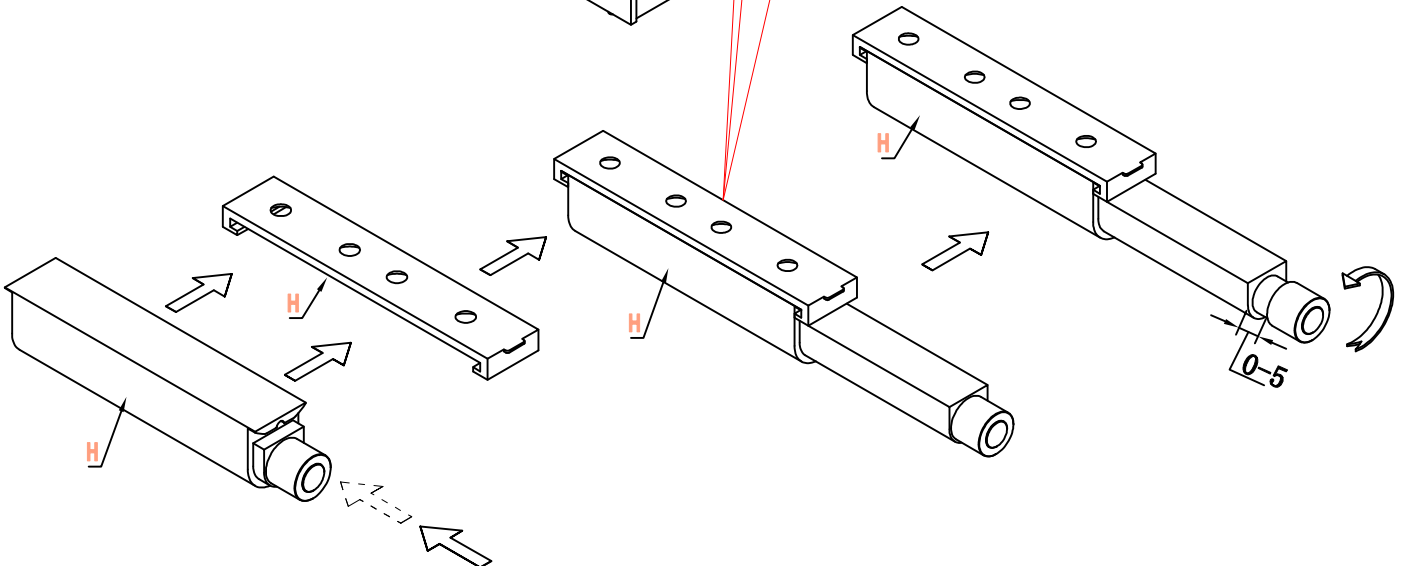
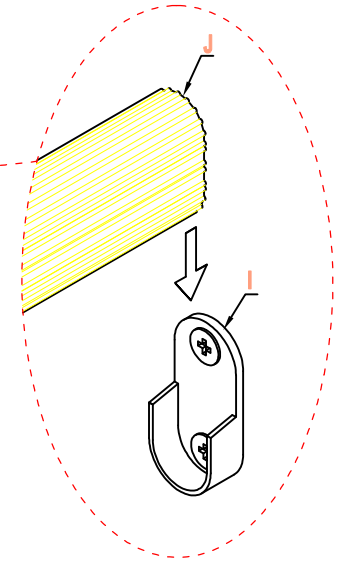
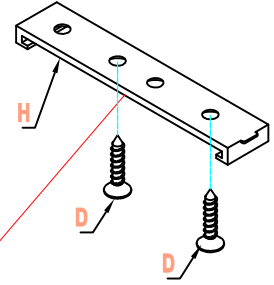
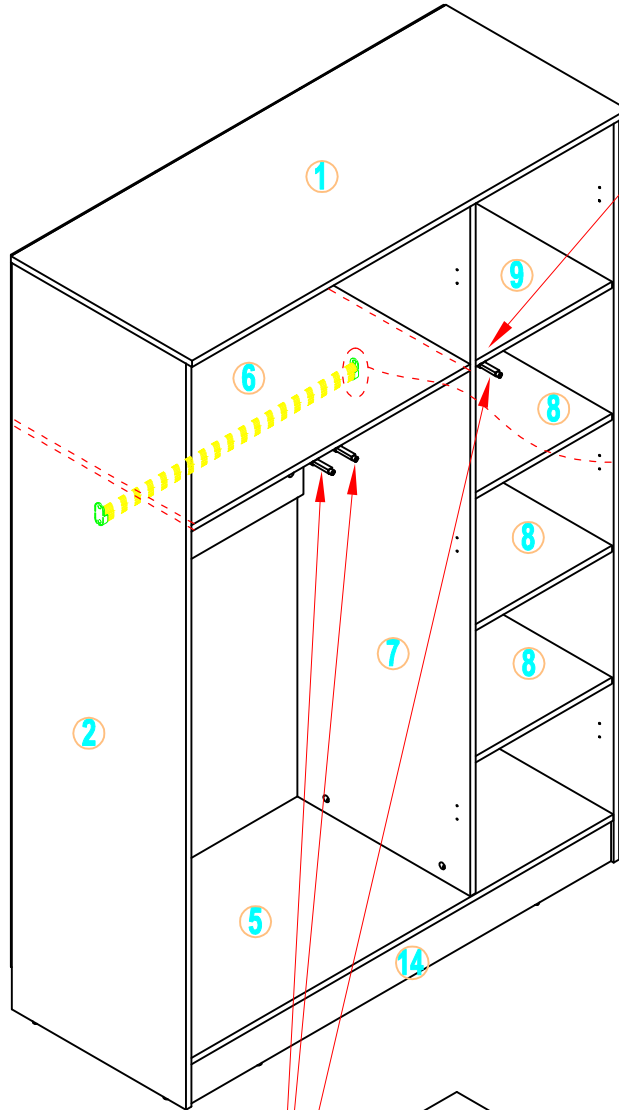
D=2

H=3



Screw
M3.5*14mm

push-to-open mechanism



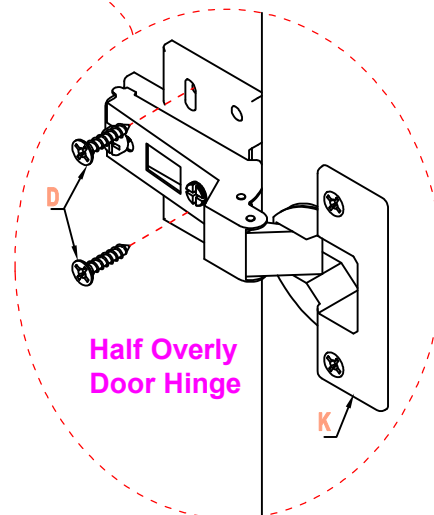
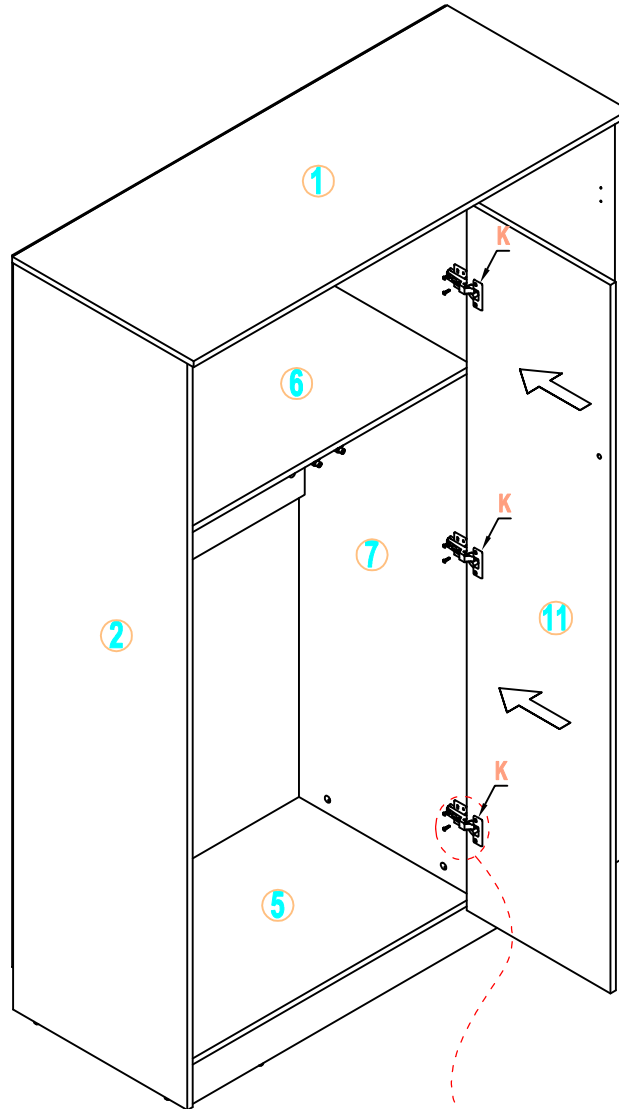
Assembly Instruction

Step 22

D=6



Screw
M3.5*14mm



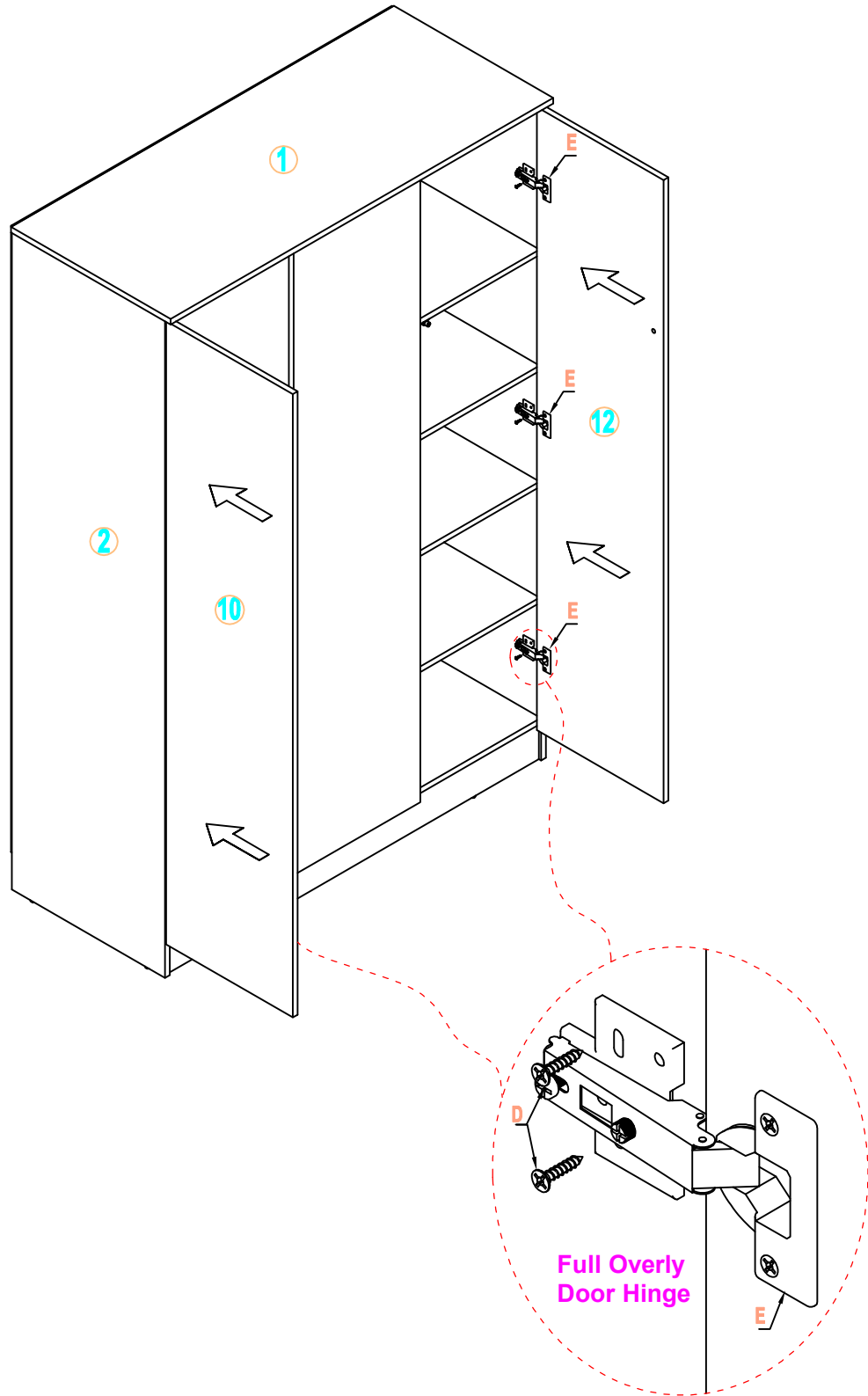
Assembly Instruction

Step 23

D=12

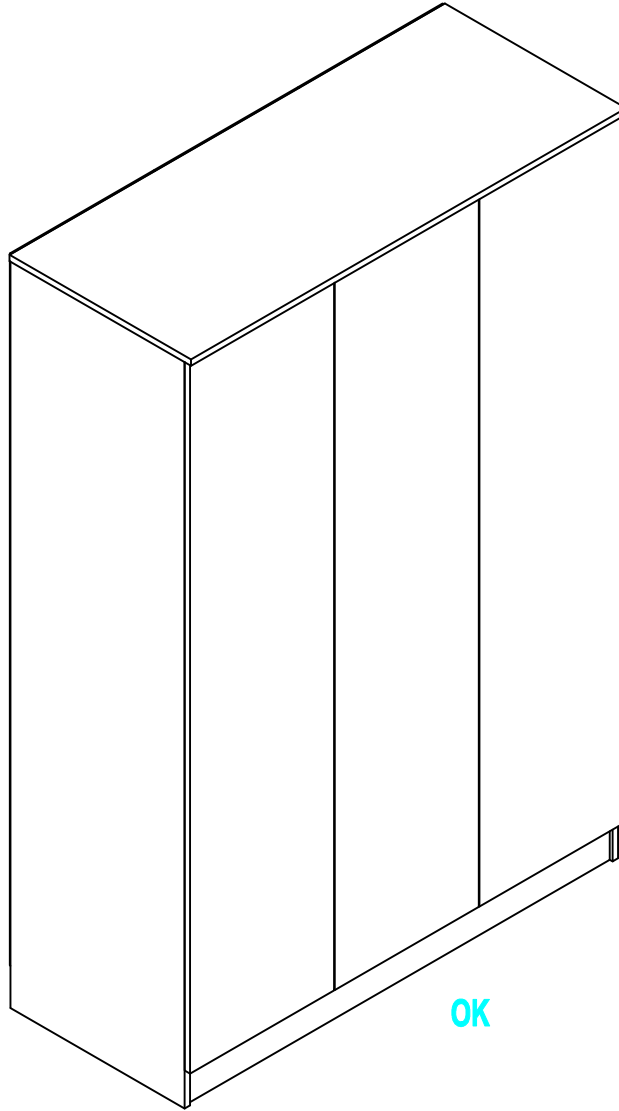


Screw
M3.5*14mm



Assembly Instruction

Step 20

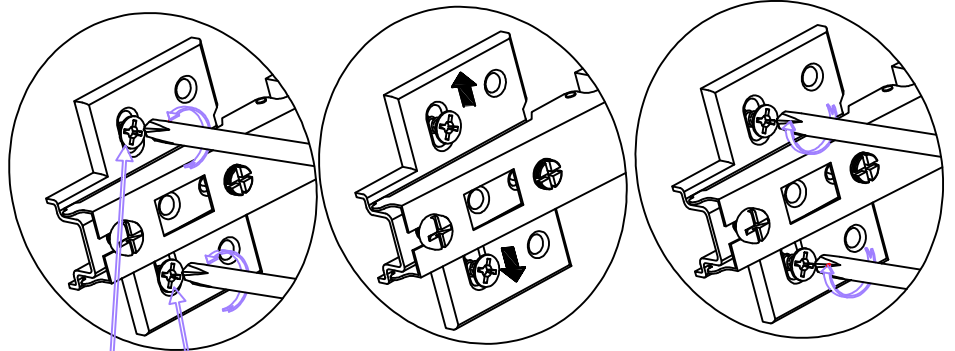
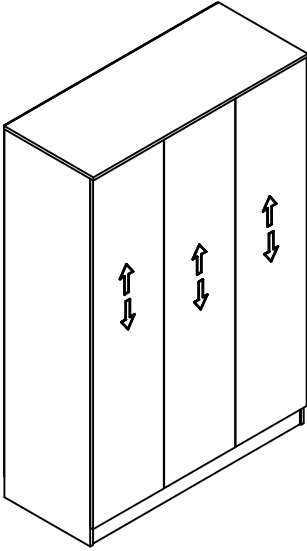


OK

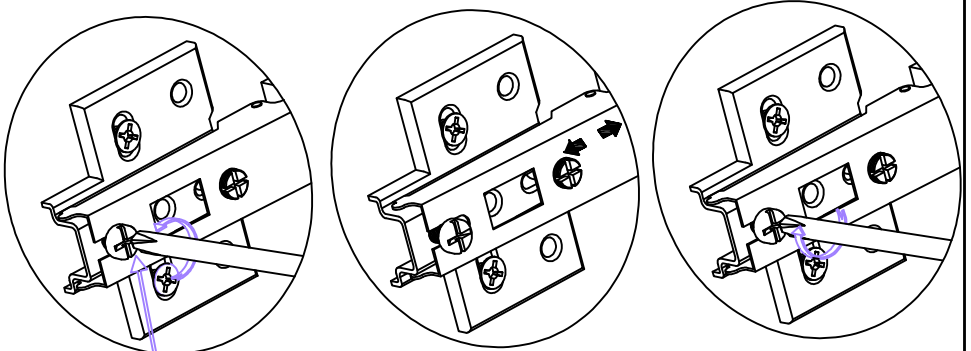
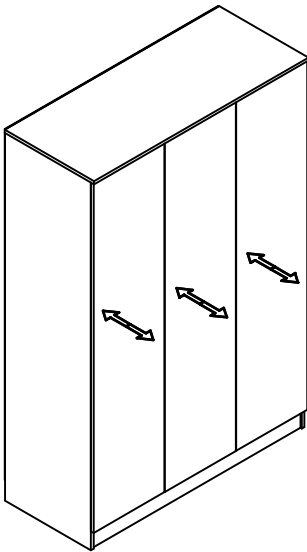
STEP 21



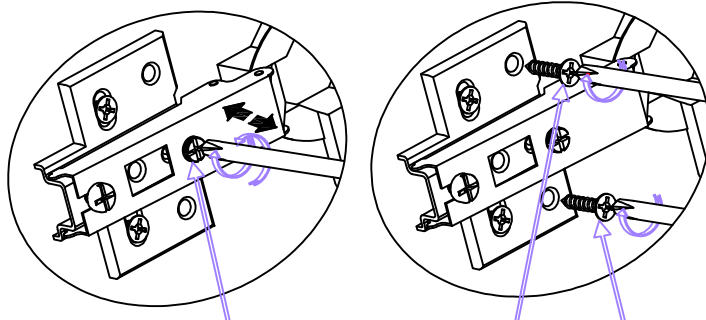
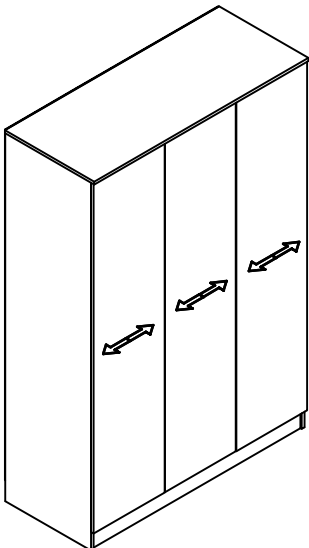
Customer Attention:
To align doors and control gap in between doors.
Product doors may need adjusting during
and after assembly.
This can be done by adjusting appropriate screws.
See below illustration.



Vertical door adjustment:
Loosen both screws on all hinges and lift the
door to the desired height.
This allows an even space at the top and
bottom between the door and frame



Lateral Door Adjustment:
If door is hinge bound, (rubbing on frame as you
close or open door) loosening screw shown and
move the door in appropriate direction. (In or out)



D  18PCS

Horizontal Door Adjustment:
Rotate Screw clock wise or anti clockwise. This
will produce an even gap between doors and frame.

after adjusting, you find the doors are in alignment,
you can fasten that hinge with 2 screws

P=1



Wall bracket

