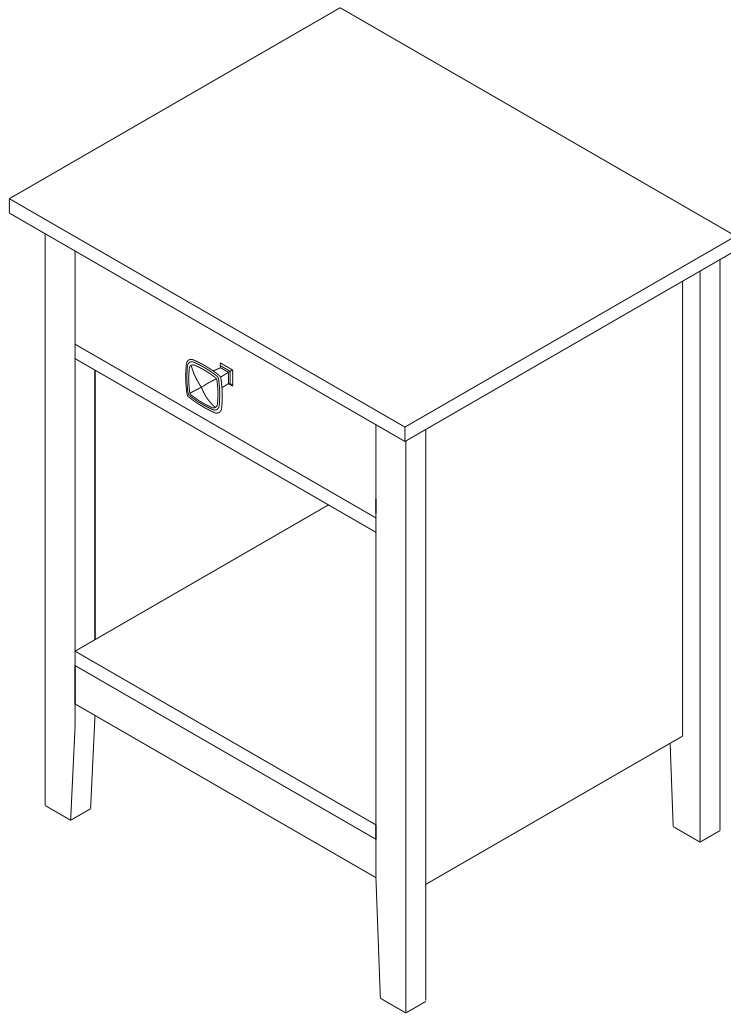


INSTRUCTION MANUAL



x2

SPECIAL TIPS FOR FITTING CAM-LOCKS AND QUICKFIT

**WHEN FITTING CAMLOCK
ENSURE STARTING POSITION IS CORRECT
BEFORE YOU INSERT CONNECTING QUICKFIT
TURN CLOCKWISE UNTIL SECURE**

CORRECT **WRONG**

CAM-LOCK

Quickfit head needs to be in centre

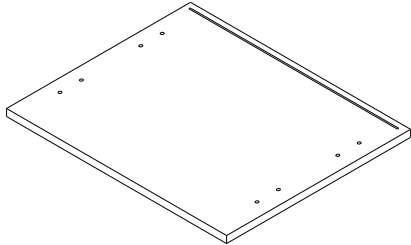
QUICKFIT

Tighten until shoulder is flush with panel. DO not overtighten or undertighten (see example below)

Panel **Shoulder** **Panel**

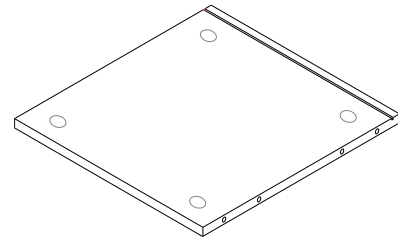
BOARD IDENTIFICATION

1



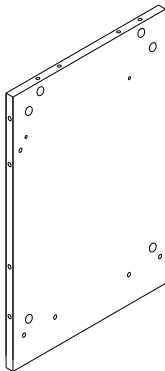
2PCS

2



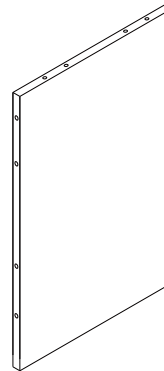
2PCS

3



2PCS

4



2PCS

5



2PCS

6



2PCS

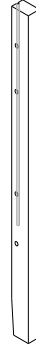
BOARD IDENTIFICATION

7



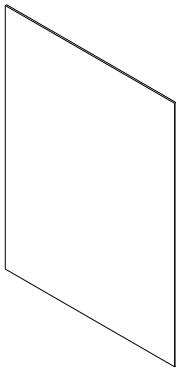
2PCS

8



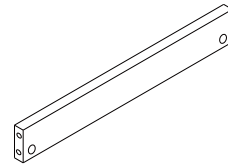
2PCS

9



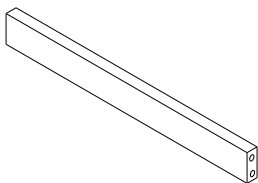
2PCS

10



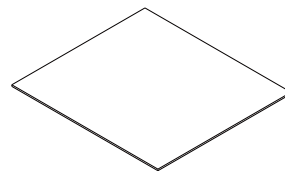
2PCS

11



2PCS

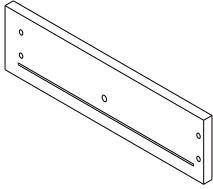
12



2PCS

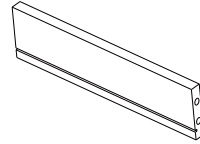
BOARD IDENTIFICATION

13



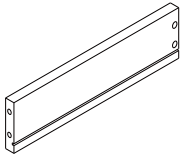
2PCS

14



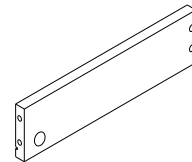
2PCS

15



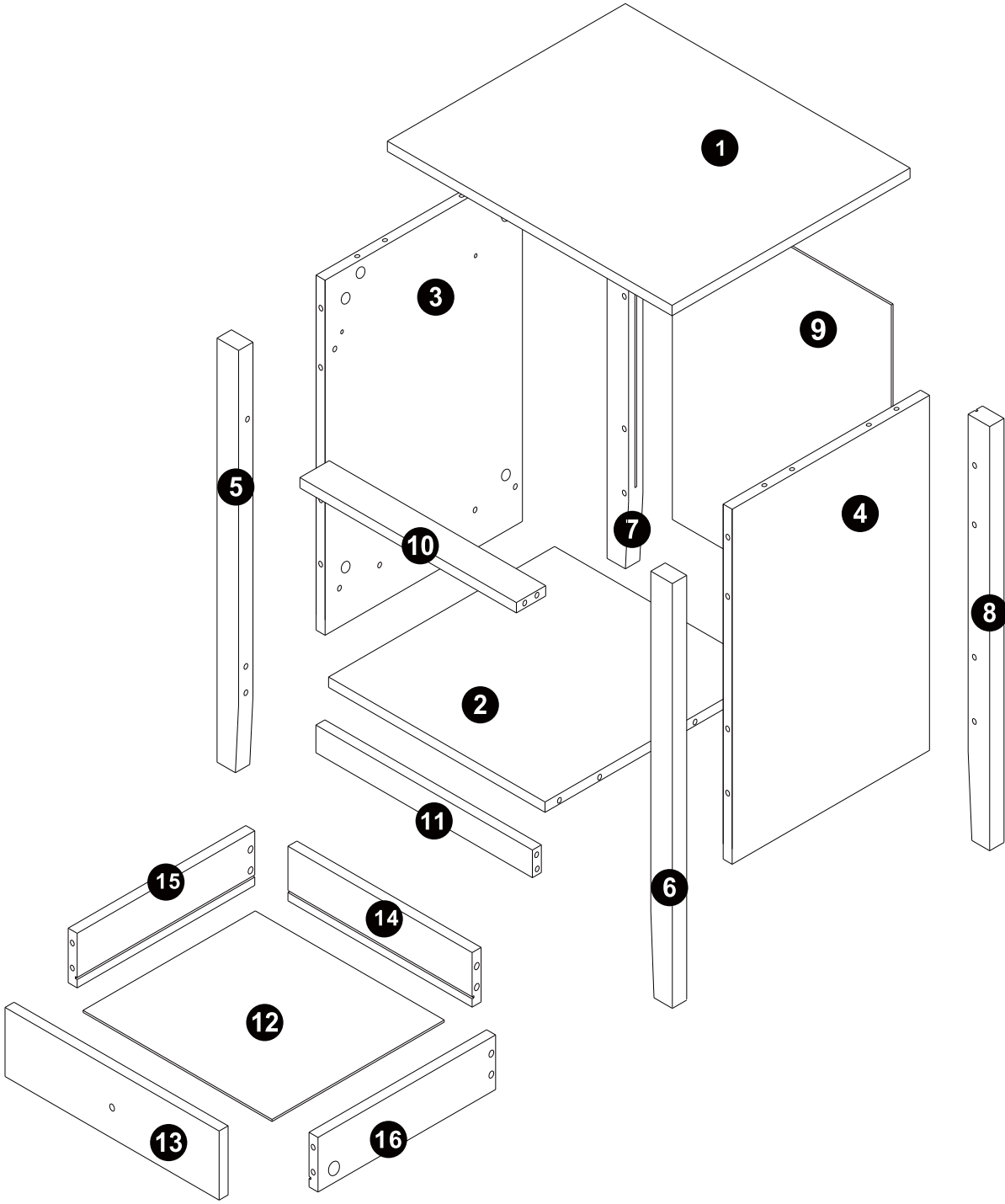
2PCS

16



2PCS

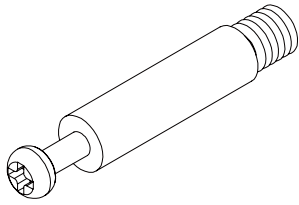
BOARD IDENTIFICATION



x2

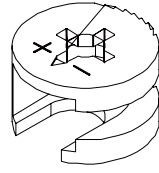
PART LIST

A



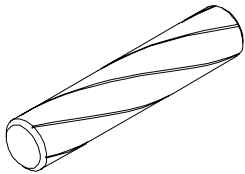
40PCS

B



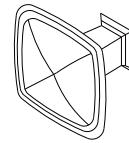
40PCS

C



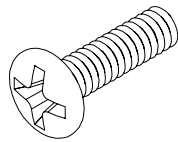
48PCS

D



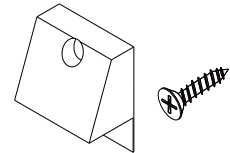
2PCS

E



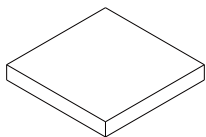
2PCS

F



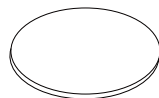
8PCS

G



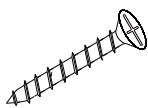
8PCS

H



8PCS

I



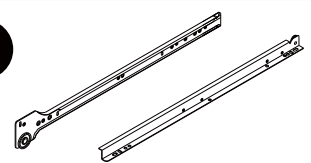
8PCS

J



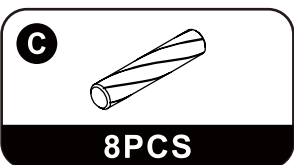
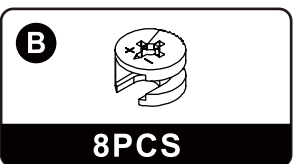
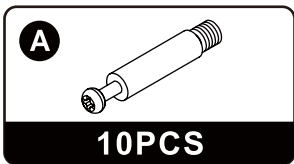
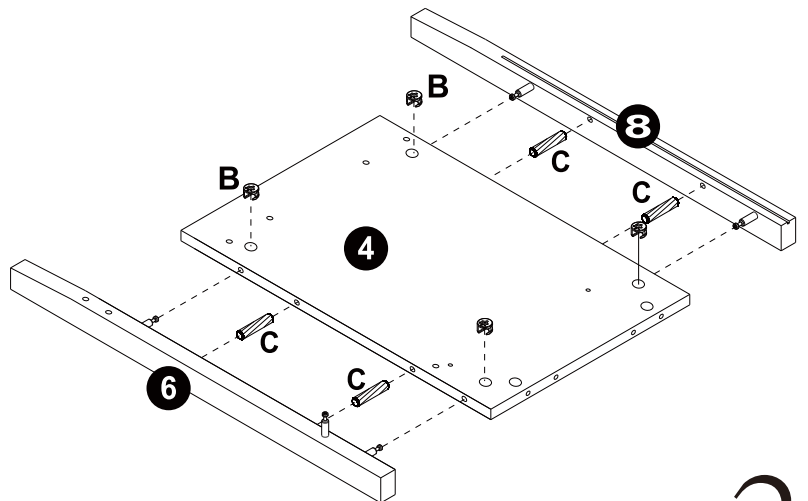
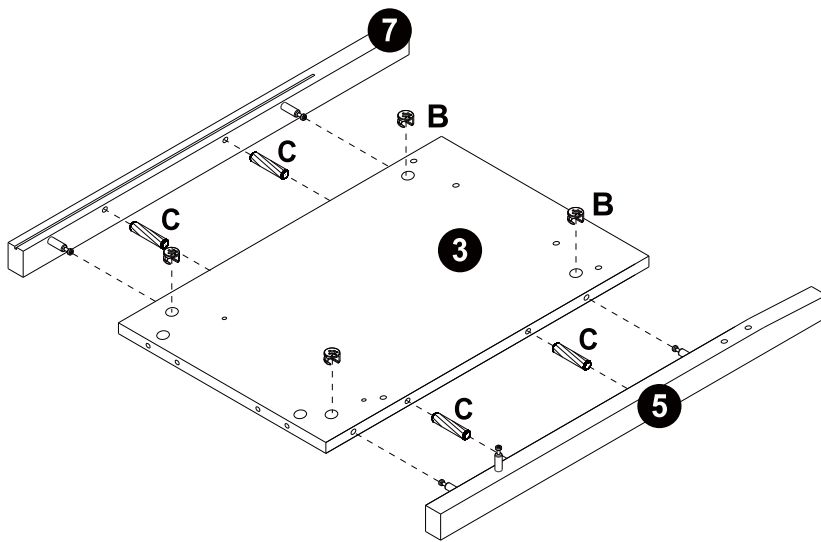
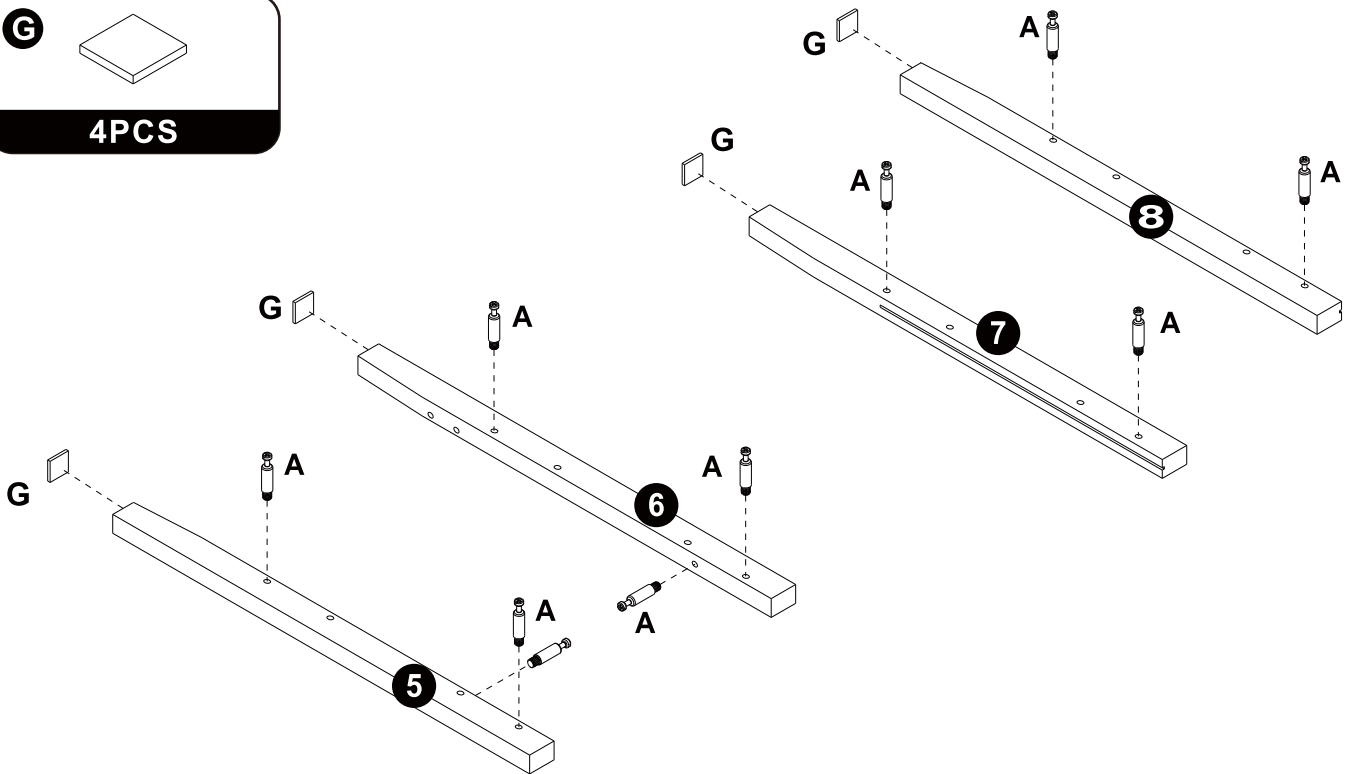
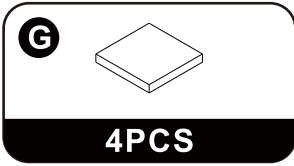
16PCS

K



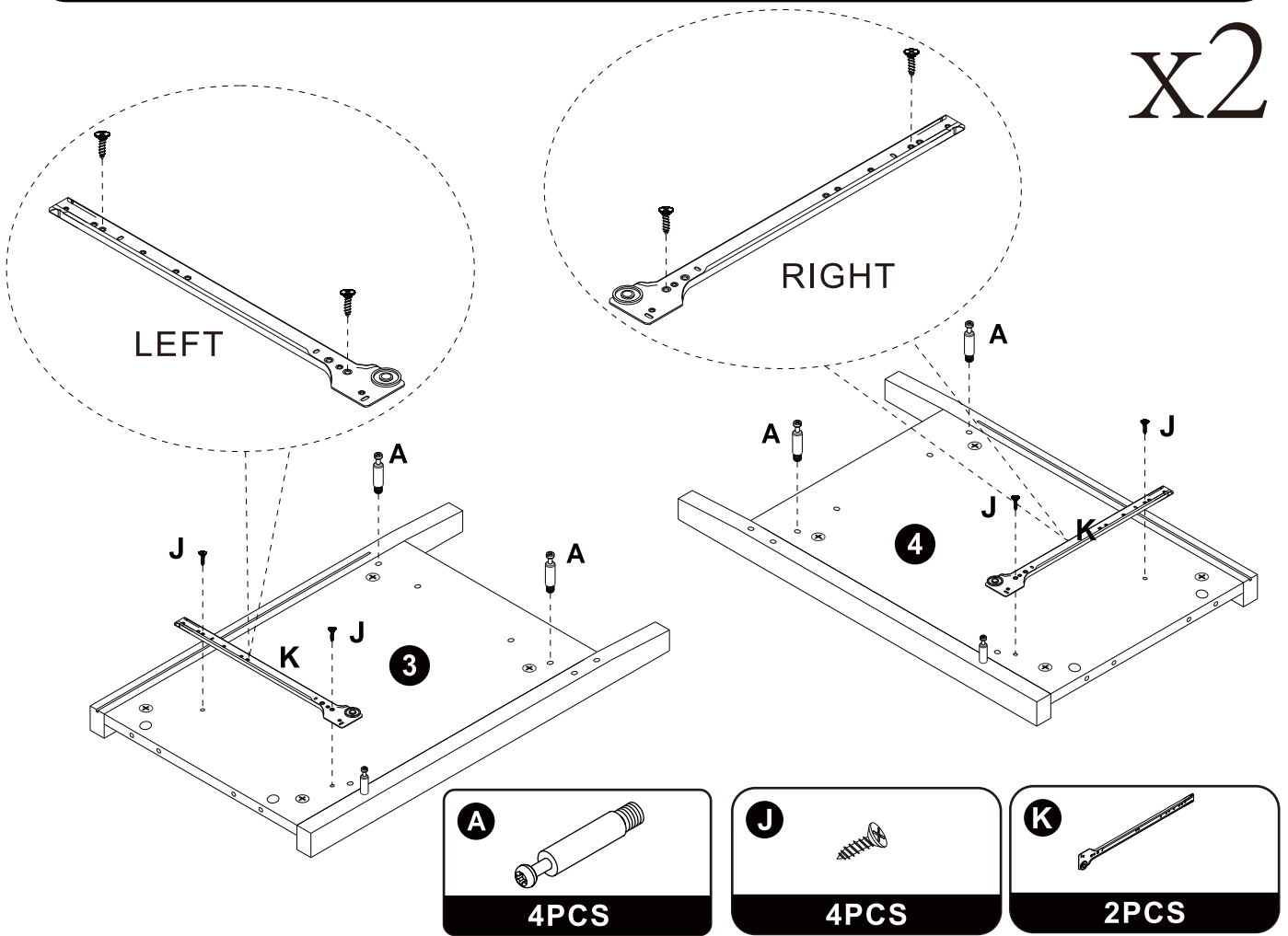
4PCS

STEP 1

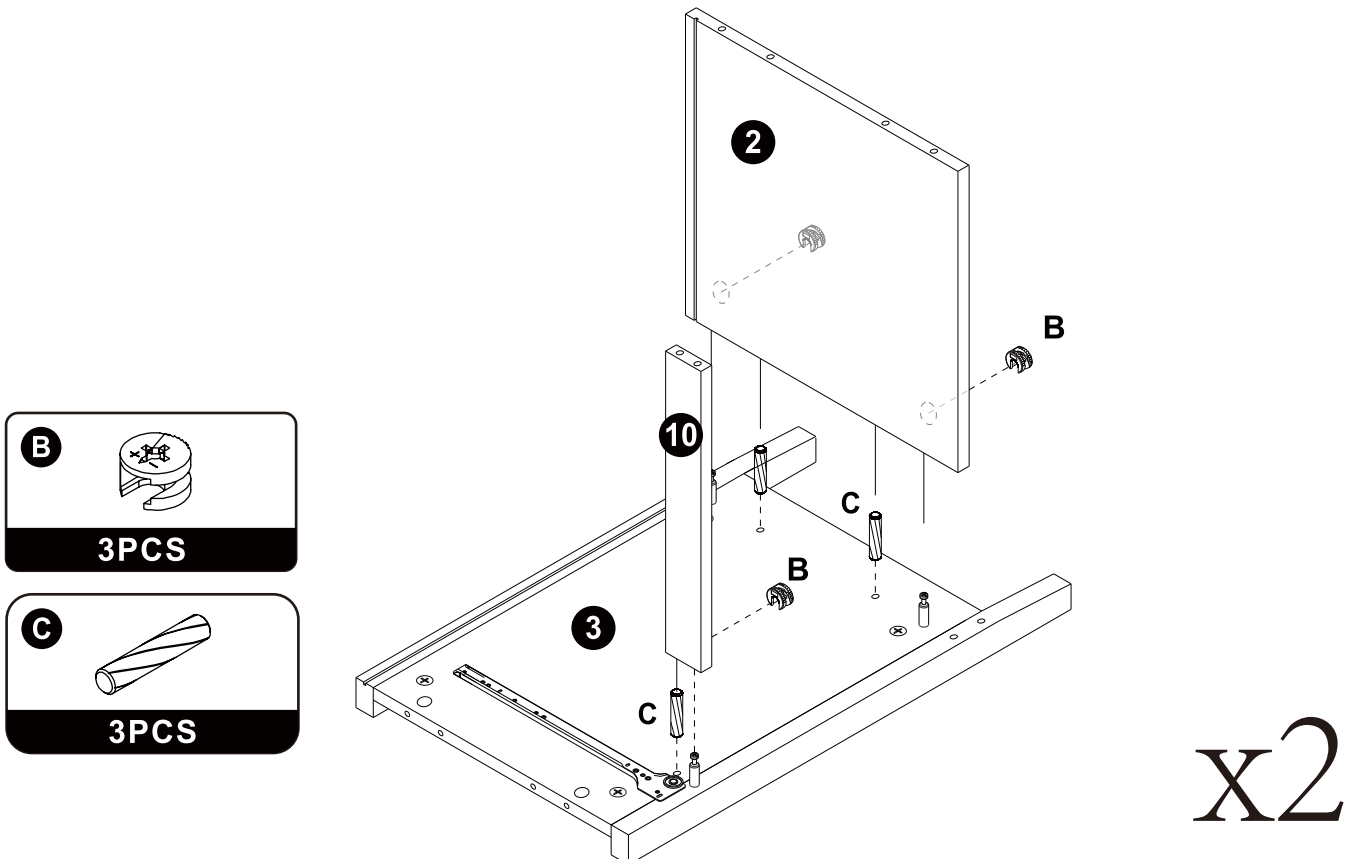


x2

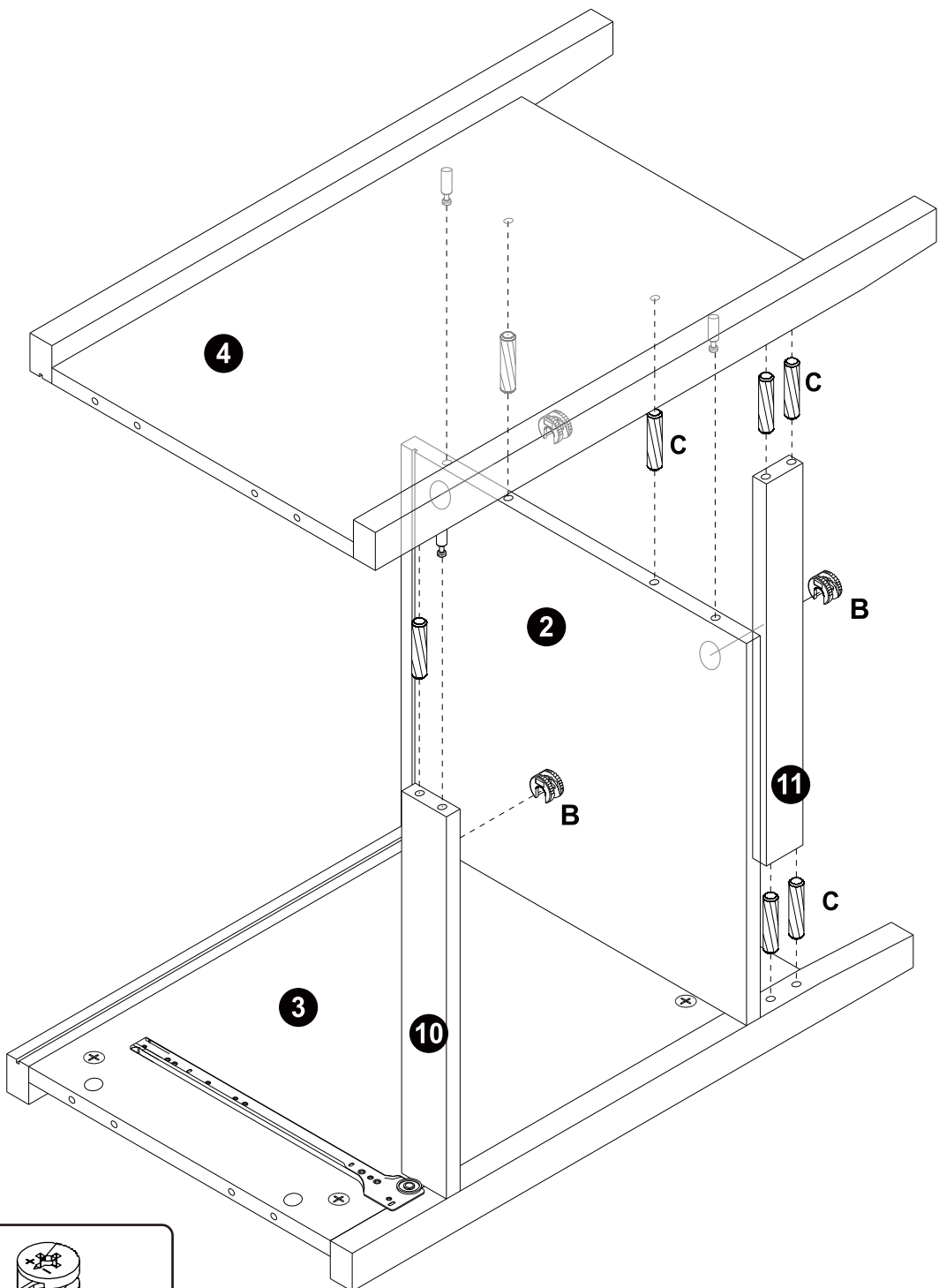
STEP 2




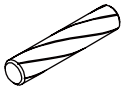
STEP 3



STEP 4



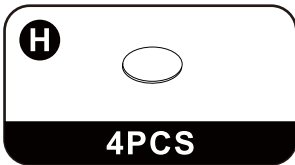
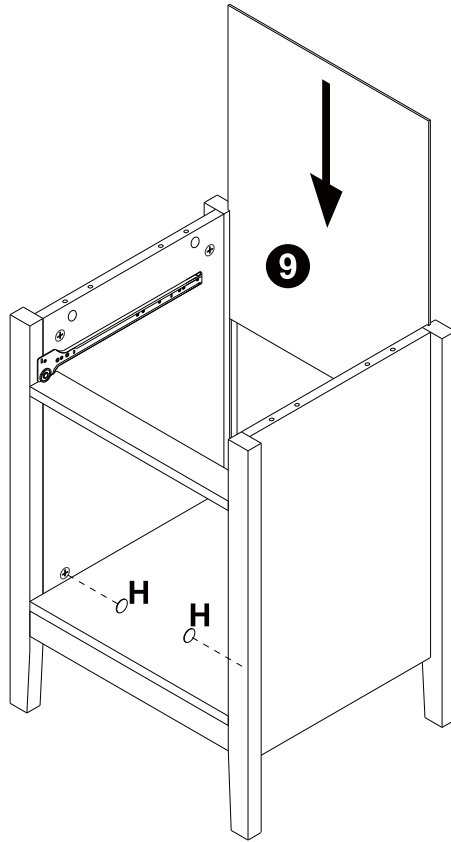
B 
3PCS

C 
7PCS

x2

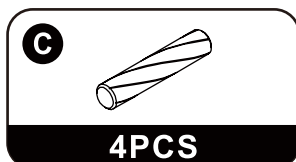
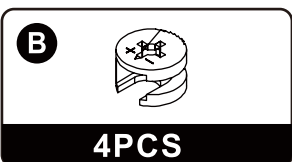
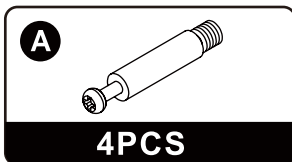
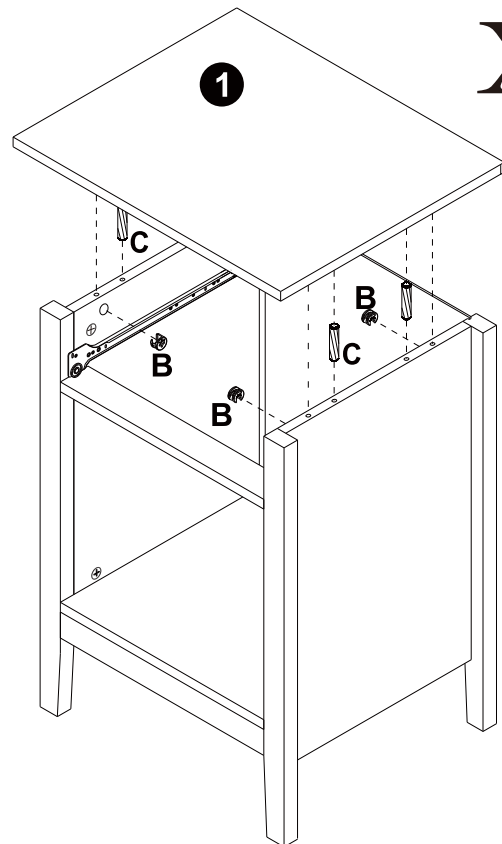
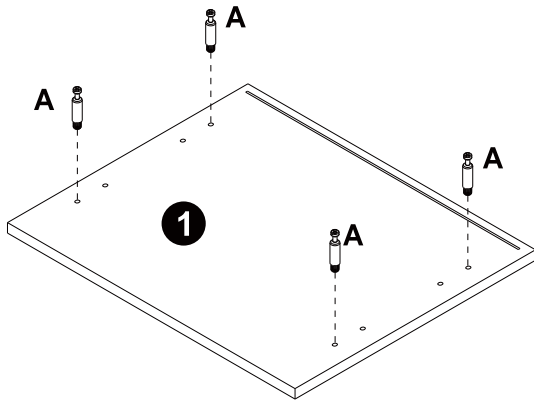
STEP 5

x2

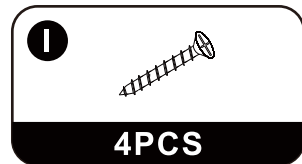
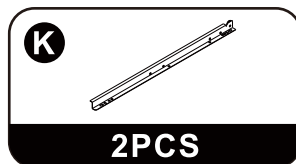
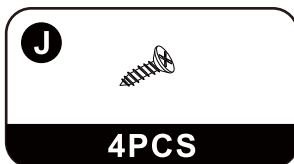
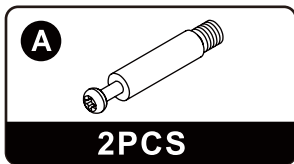
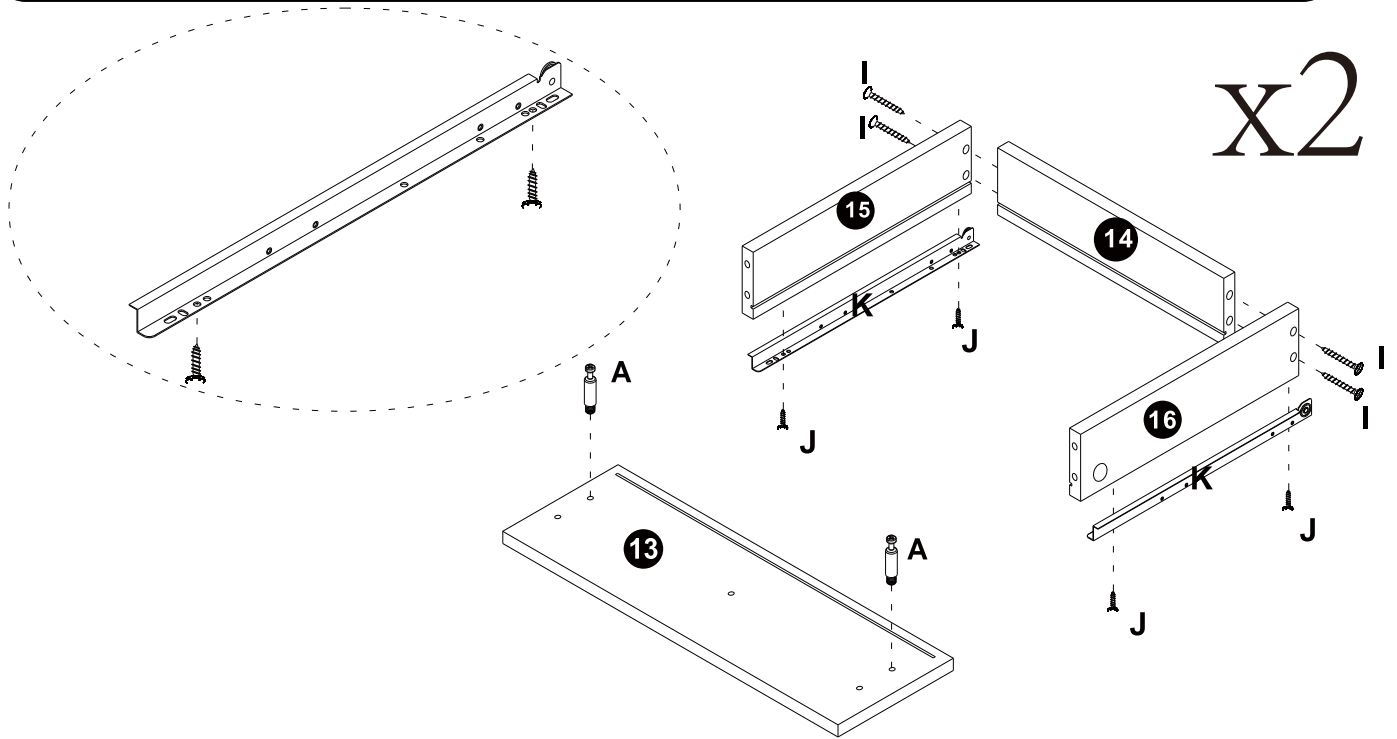


STEP 6

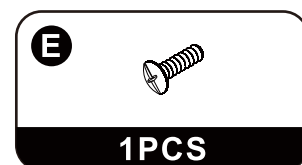
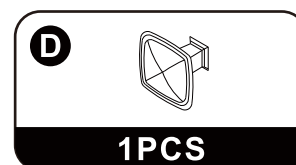
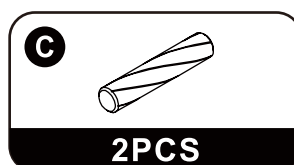
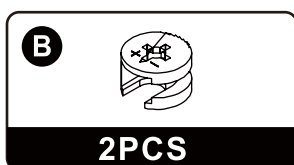
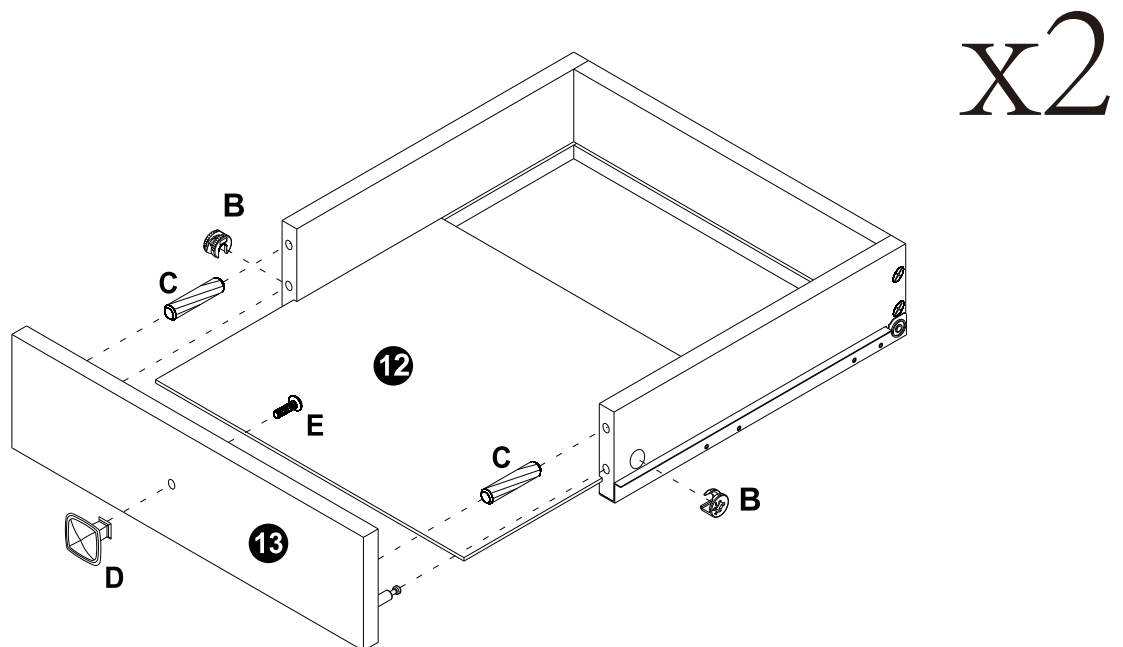
x2



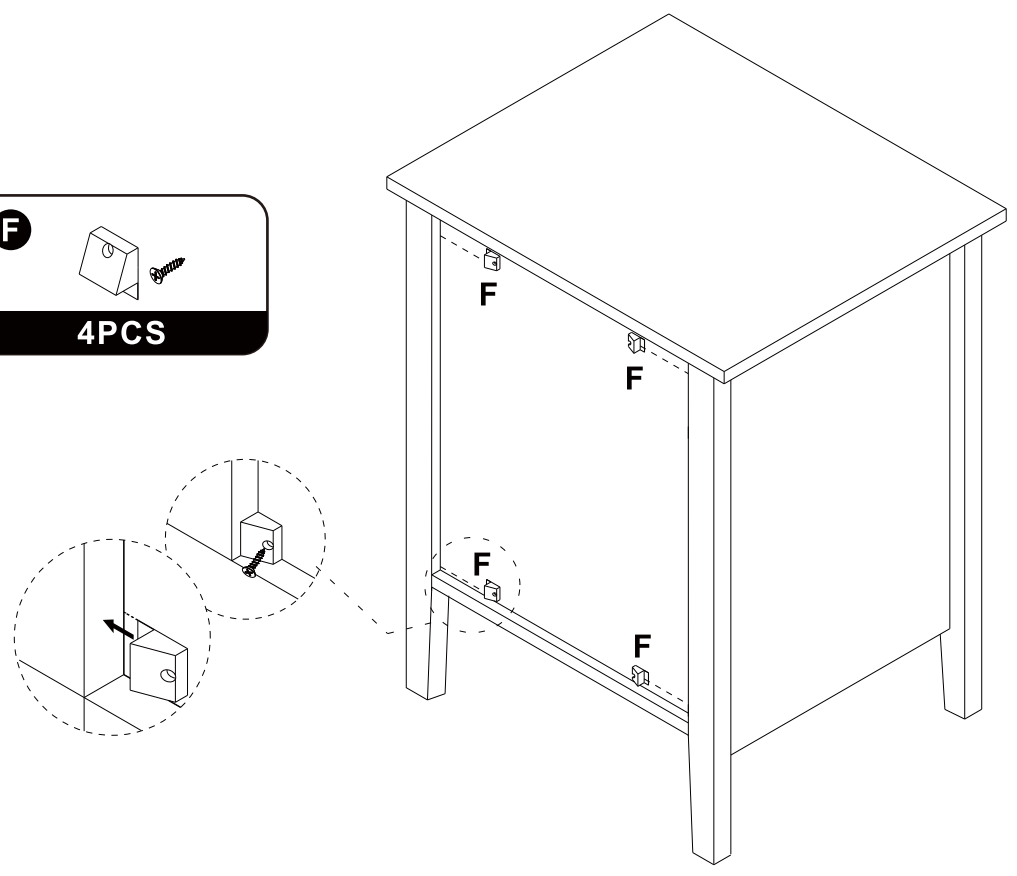
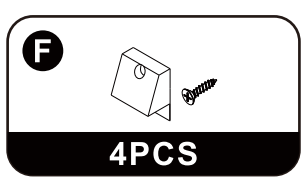
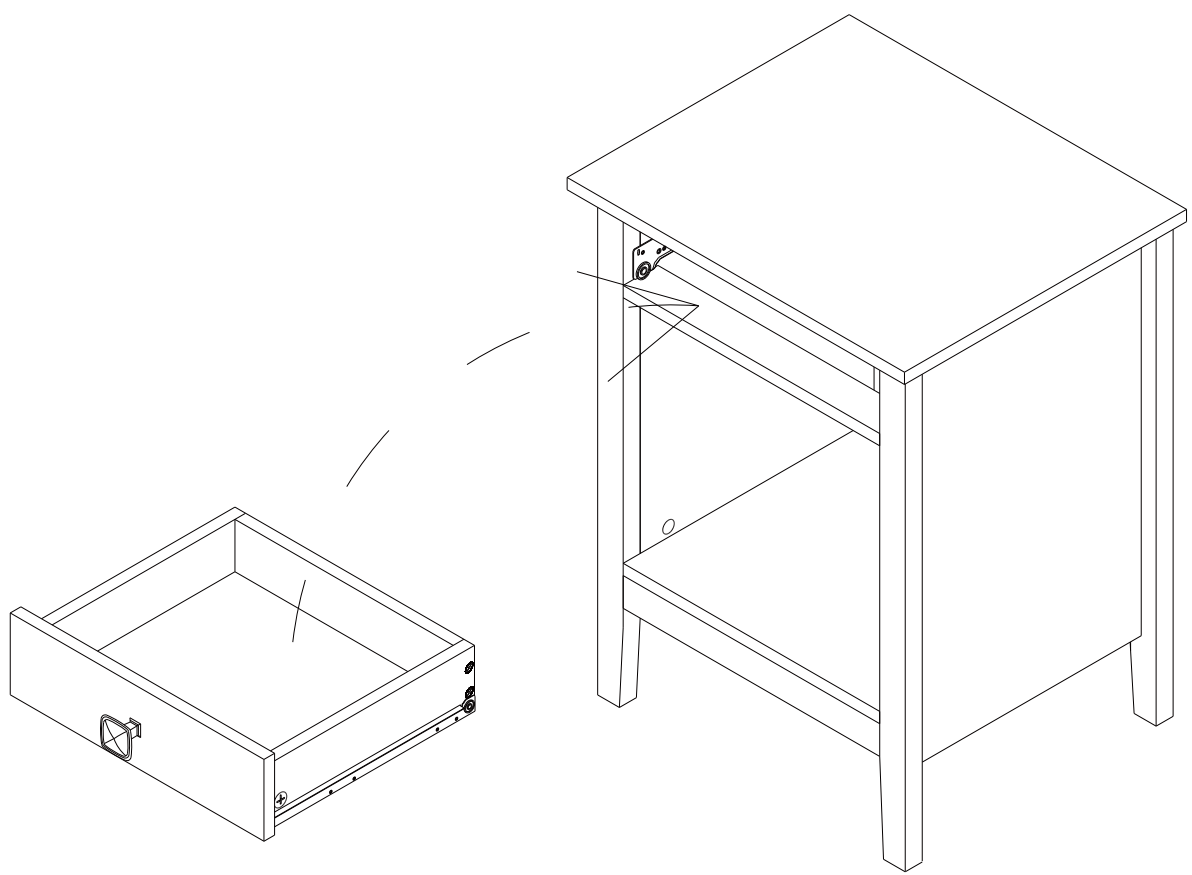
STEP 7



STEP 8



STEP 9



x2