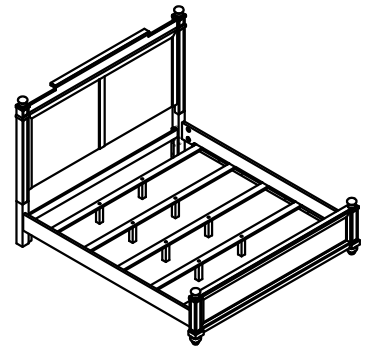
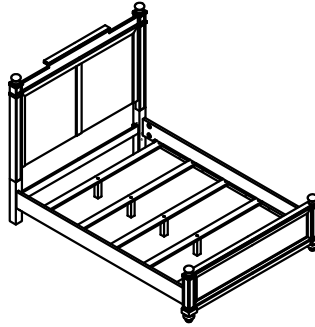


ASSEMBLY INSTRUCTIONS

309-305B

309-307B/309-308B



TOOLS REQUIRED:

- Wrench (supplied, part # D)
- Screwdriver (not supplied)

BEFORE YOU START:

1. Check the parts against the parts list to make sure all items are present.
2. Assemble your furniture on a soft, flat surface to avoid scratching the finish.
3. CAUTION: Do not over tighten screws, nuts or bolts during assembly.
4. Your furniture may require occasional tightening.

INSTRUCTIONS:

1. Attach legs to footboard by turning it. As shown on Figure 1 (Step 1) .

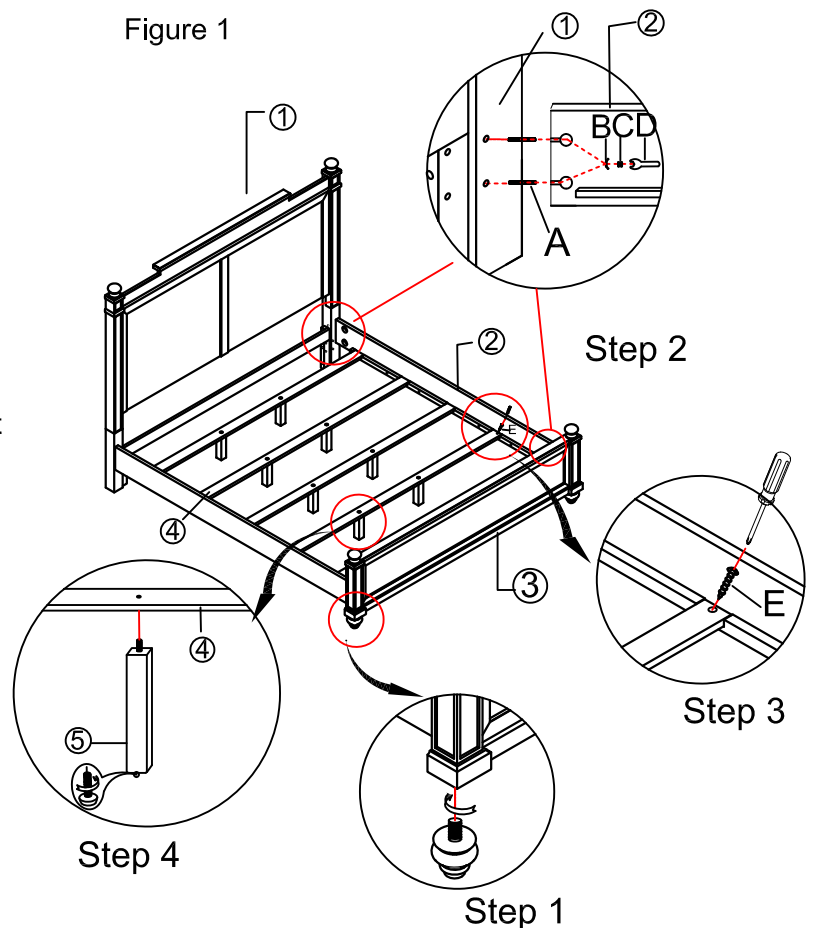
2. Attach two side rails^② to headboard ^① by using Bolt (A), Curve washer (B), Nut (C) and tighten with Wrench(D). As shown on Figure 1 (Step 2).

3. Attach two side rails^② to footboard^③ by using Bolt (A), Curve washer (B), Nut (C) and tighten with Wrench(D). As shown on Figure 1 (Step 2).

4. Put slats^④ onto side rails^②, fix it with Screw (E). As shown on Figure 1 (Step 3).

5. Attach middle legs^⑤ to each slats by turning it. Adjust the leveler on middle legs if necessary. As shown on Figure 1 (Step 4).

Figure 1



HARDWARE LIST				
NO.	DRAWING	DESCRIPTION	SIZE	Q'TY
A		Bolt	Ø5/16"x4"	8PCS
B		Curve washer	Ø5/16"	8PCS
C		Nut	Ø5/16"	8PCS
D		Wrench	Ø5/16"	1PC
E		Screw	1 1/4"	10PCS

Thank you for purchasing furniture
from american drew!