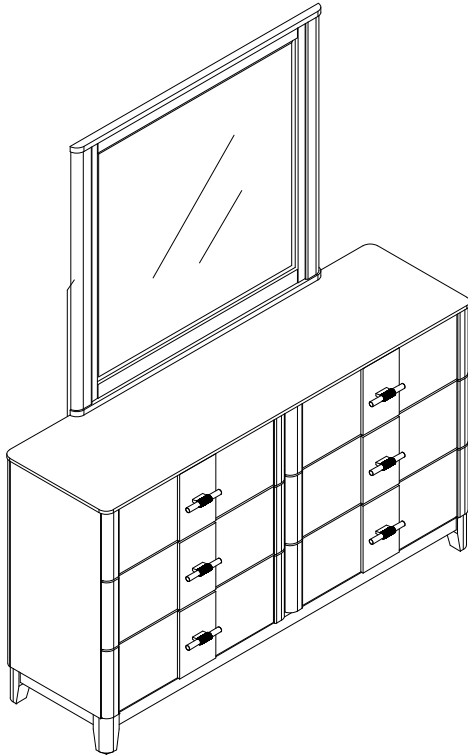


# ASSEMBLY INSTRUCTIONS

## MIRROR - BLACK



### PARTS LIST

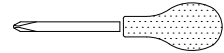
NO	DESCRIPTION	QTY
1	MIRROR	1 PC.
2	SUPPORT RAIL	2 PCS.
3	DRESSER	1 PC.

### HARDWARE LIST

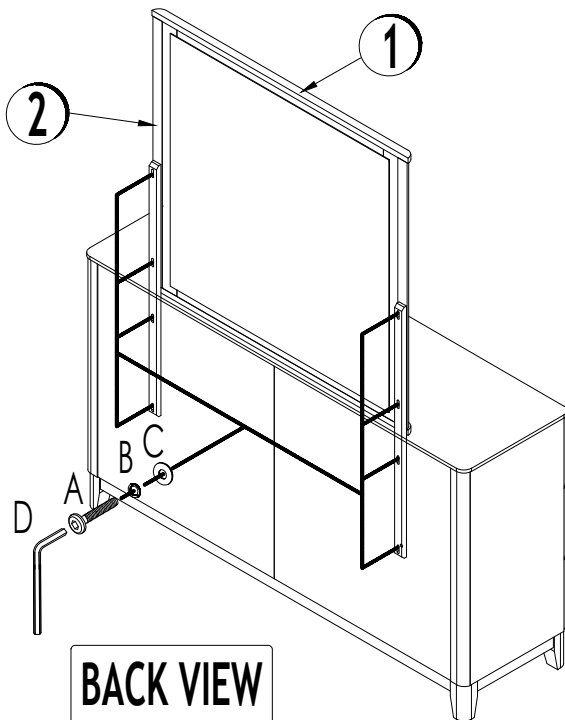
NO	DESCRIPTION	SIZE	QTY
A	JCBC SCREW	M6 x 35	8 PCS.
B	SPRING WASHER	M8	8 PCS.
C	FLAT WASHER	M8 x 18	8 PCS.
D	ALLEN KEY	M4	1 PC.



TOOL REQUIRED (NOT PROVIDED)



### STEP 1



### STEP 2

