

TABLE OF CONTENTS

01	Important Safety Instructions	01	Tools Needed
02	Parts List	03	Assembly

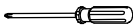
10	Warranty Information
----	----------------------

IMPORTANT SAFETY INSTRUCTIONS

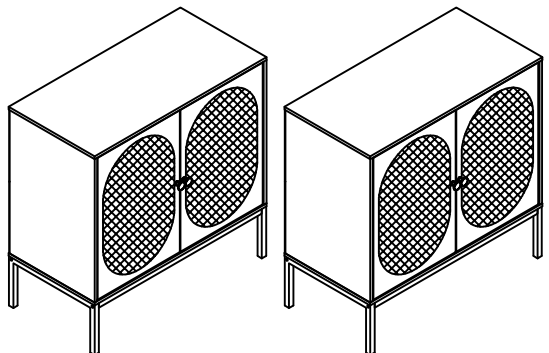
- Check if all the parts are complete before installation.
- Read through the instructions before installing the cabinet.
- Keep the small parts away from children to avoid the risk of swallowing.

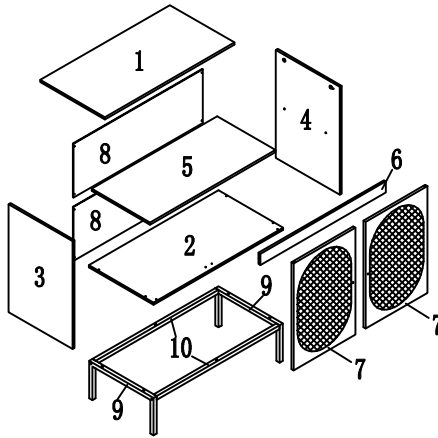
TOOLS NEEDED

Screws Driver -1PC



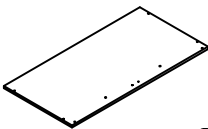
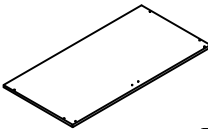
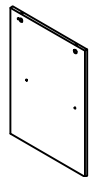
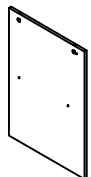
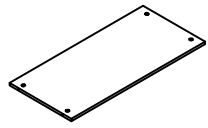
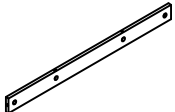
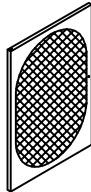
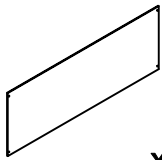
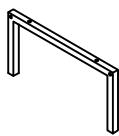
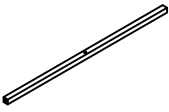
(Not included)

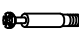


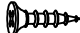

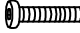
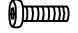












X2

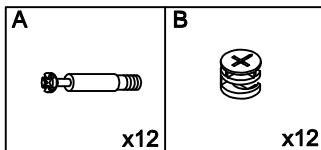
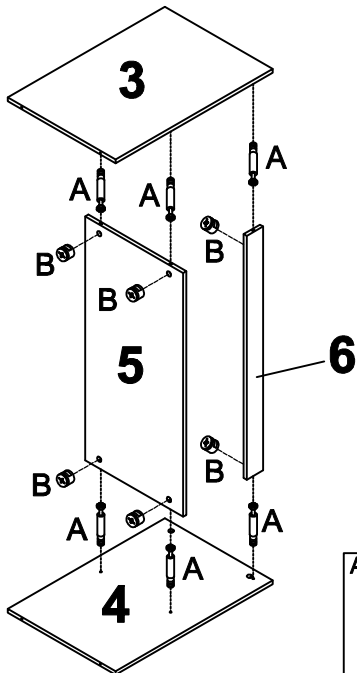
Packing List

<p>1</p>  <p>x2</p>	<p>2</p>  <p>x2</p>	<p>3</p>  <p>x2</p>	<p>4</p>  <p>x2</p>
<p>5</p>  <p>x2</p>	<p>6</p>  <p>x2</p>	<p>7</p>  <p>x4</p>	<p>8</p>  <p>x4</p>
<p>9</p>  <p>x4</p>	<p>10</p>  <p>x4</p>		

<p>A</p>  <p>x24</p>	<p>B</p>  <p>x24</p>	<p>C</p>  <p>x4</p>	<p>D M3x14</p>  <p>x8</p>	<p>E M5x40</p>  <p>x8</p>	<p>F M6x45</p>  <p>x8</p>	<p>G M6x28</p>  <p>x12</p>	
<p>H</p>  <p>x8</p>	<p>I</p>  <p>x4</p>	<p>J M3.5x12</p>  <p>x28</p>	<p>K</p>  <p>x4</p>	<p>L M4x20</p>  <p>x4</p>	<p>M</p>  <p>x8</p>	<p>N</p>  <p>x8</p>	<p>O</p>  <p>x1</p>

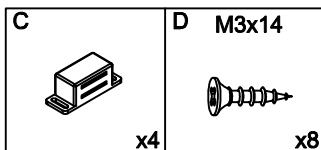
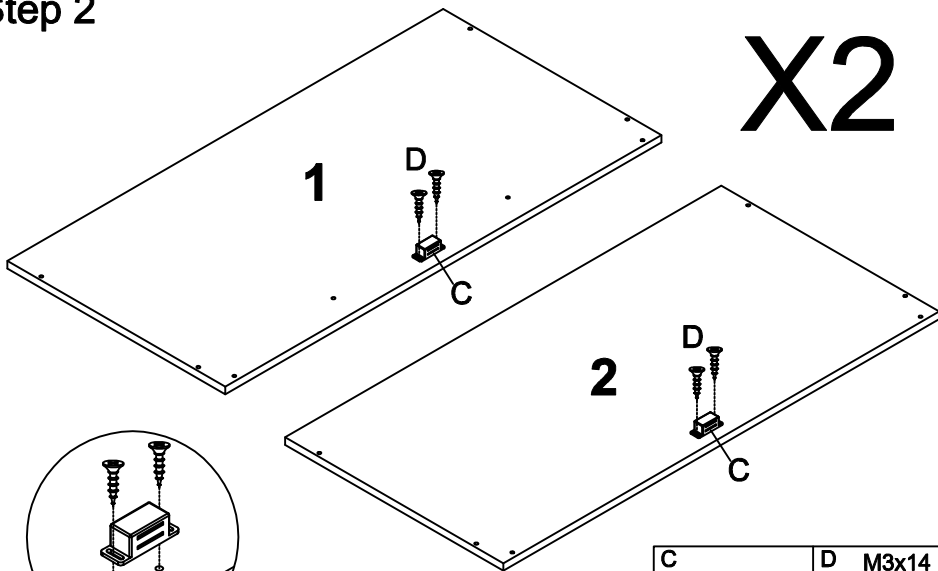
Step 1

X2



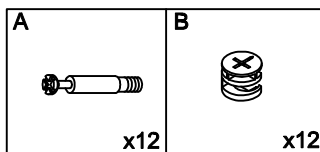
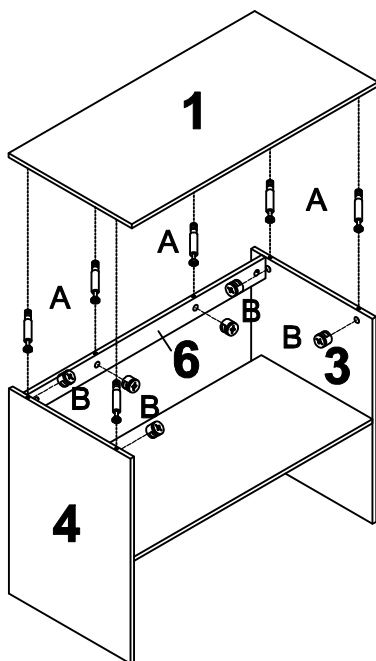
Step 2

X2



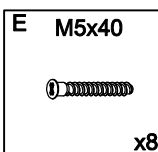
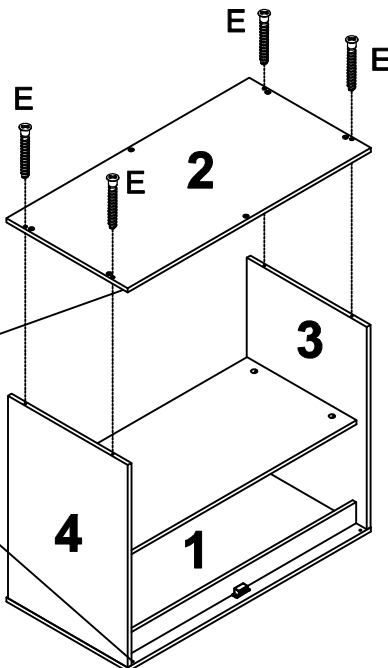
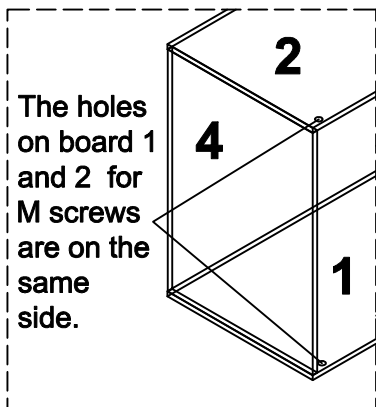
Step 3

X2

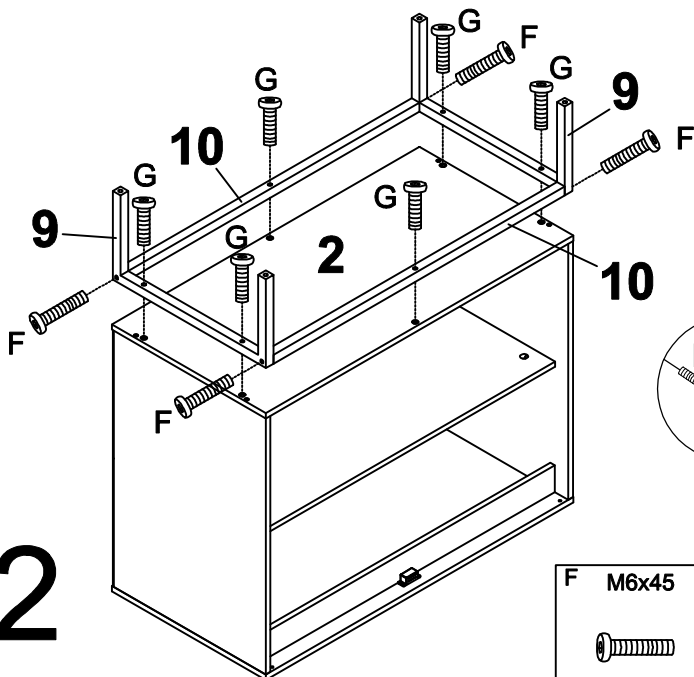


Step 4

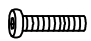
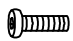
X2



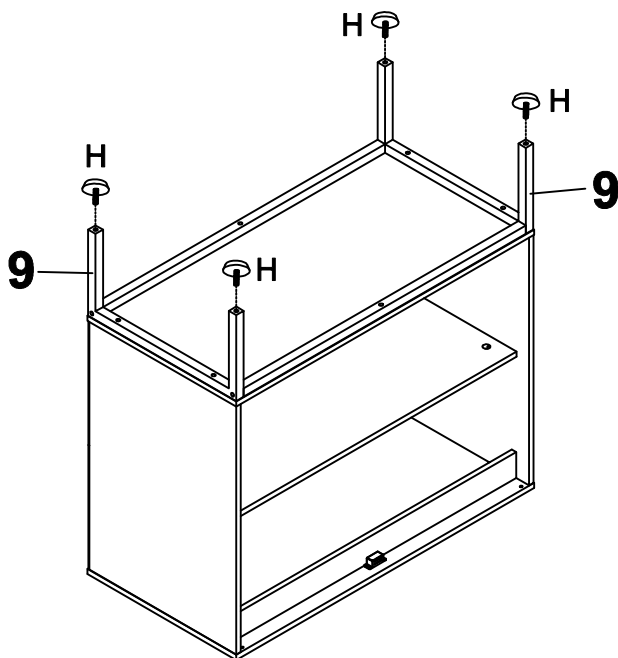
Step 5




X2

F M6x45	G M6x28
	
x8	x12

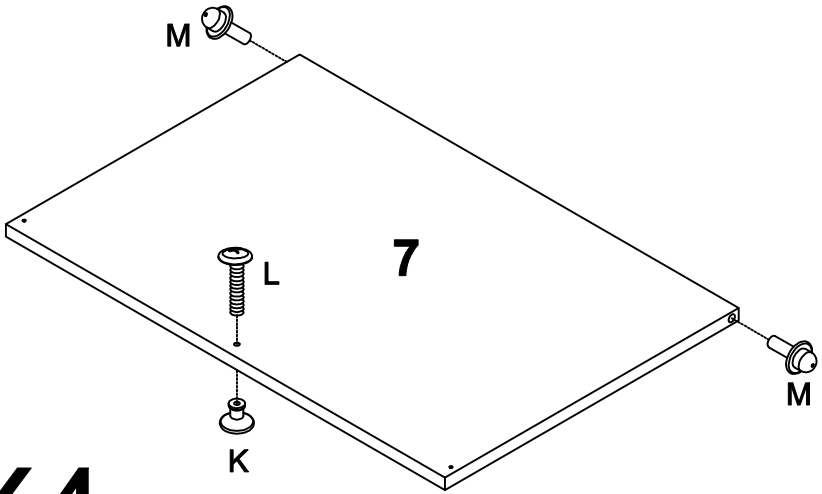
Step 6






X2

H

x8

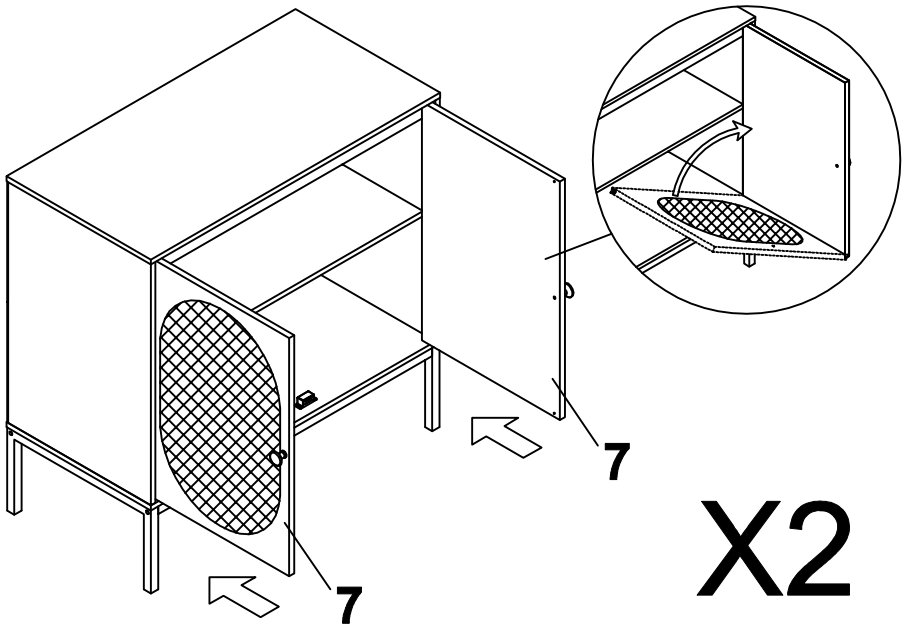
Step 7



X4

K  x4	L M4x20  x4	M  x8
---	---	--

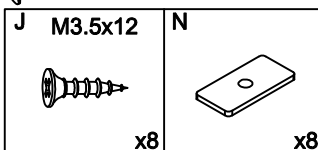
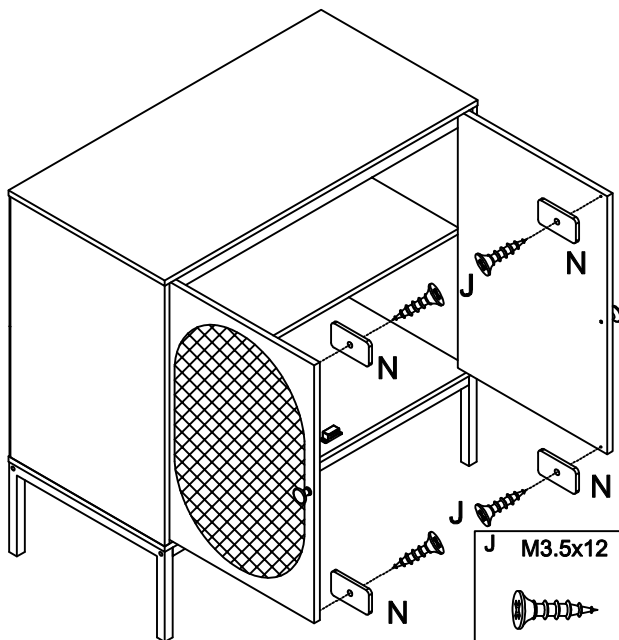
Step 8



X2

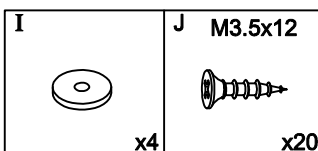
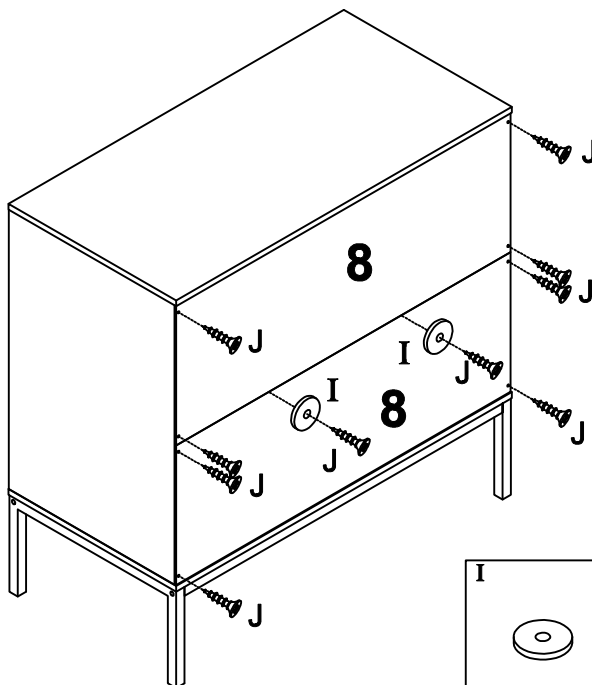
Step 9

X2

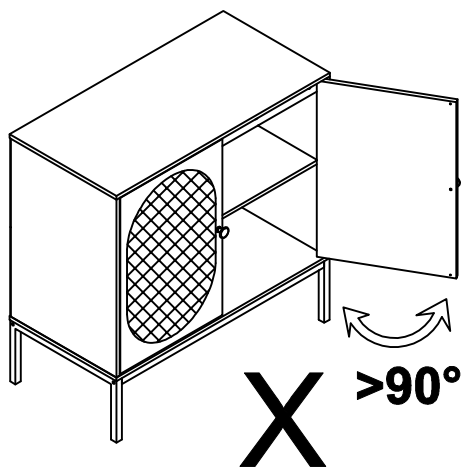
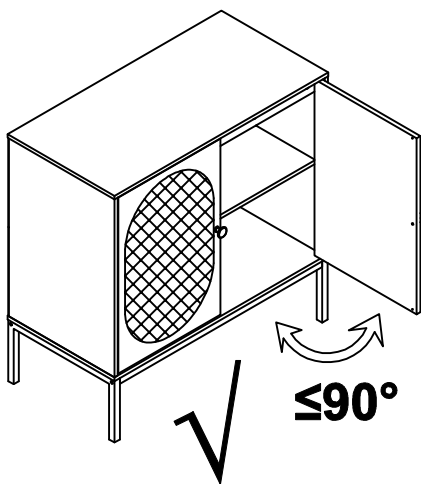
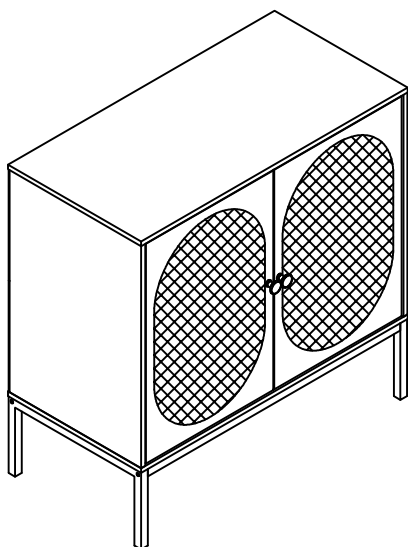
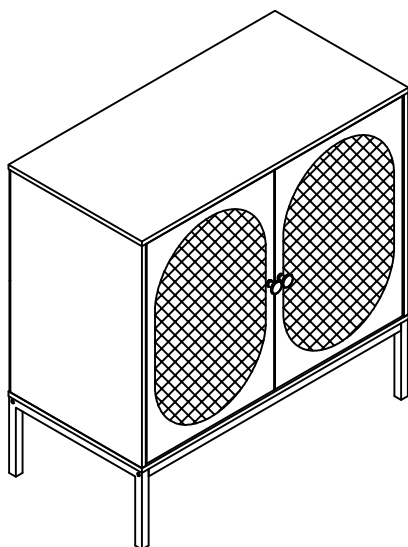


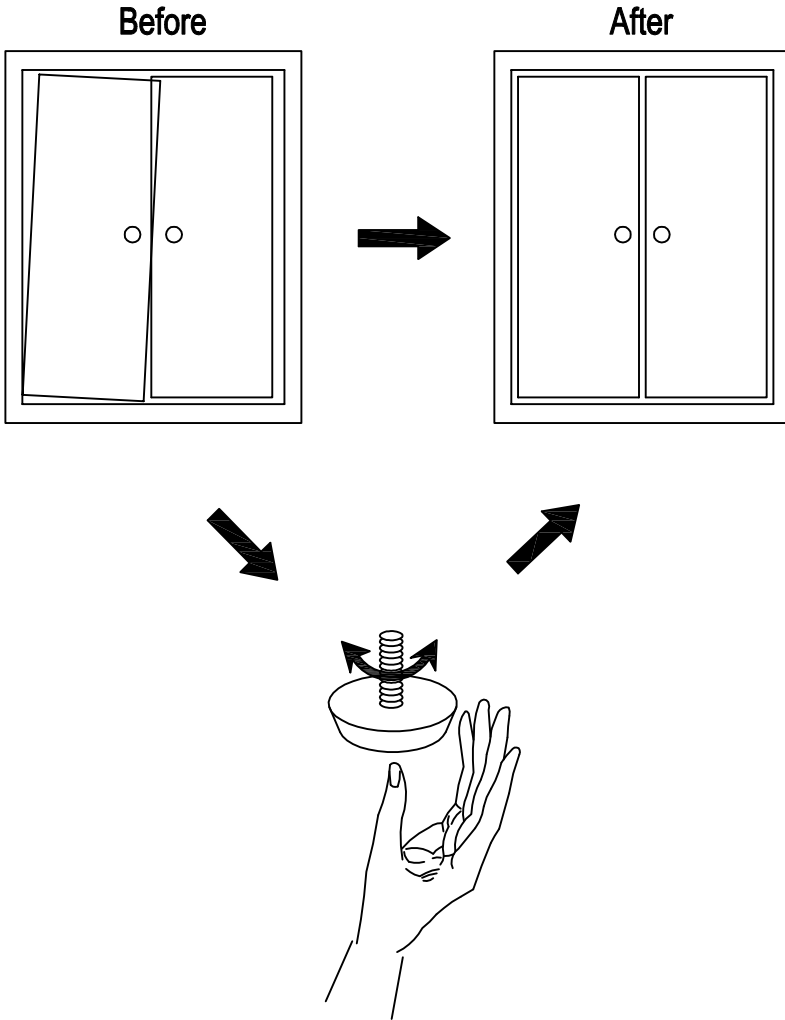
Step 10

X2



Finish !!!





Installation tips: If the height of the door is inconsistent after installation, please adjust the adjusting feet at the bottom.

WARRANTY INFORMATION

- Do not expose the surfaces to direct sunlight or to extreme environmental conditions.
- Clean the surfaces preferable with a clean damp cloth, then dry with a clean towel.
- Do not use solvents or abrasive materials to clean the unit. If you decide to use a cleaning agent, test first on an area hidden from view.
- Replacement parts might be available to you at no charge, with an original proof of purchase and where a defect has arisen, wholly or substantially, as a result of faulty manufacturing, parts or workmanship during the Warranty Period.
- The warranty does not extend to regular wear and tear, nor the manufacturer assumes liability for damages or consequences due to accidents, incorrect assembly, negligence, improper use, modifications, or not heeding the above warnings.