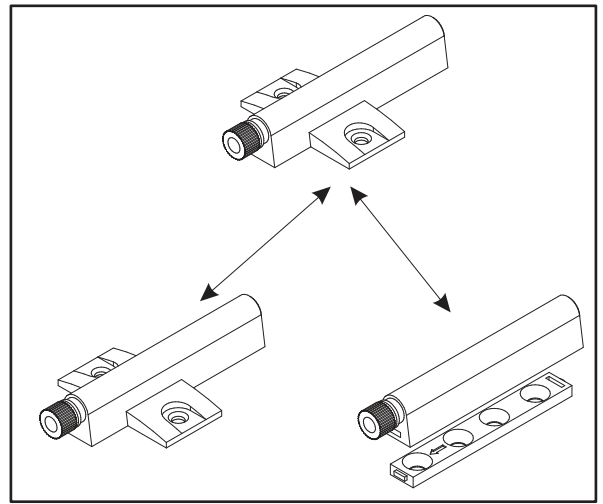
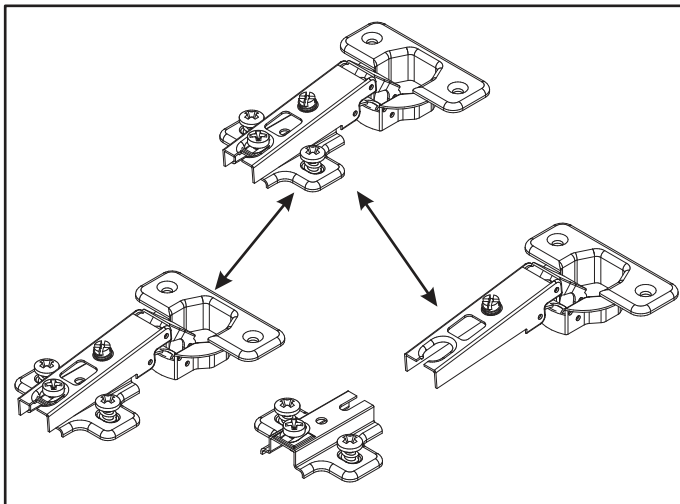
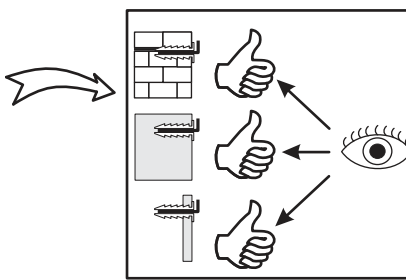
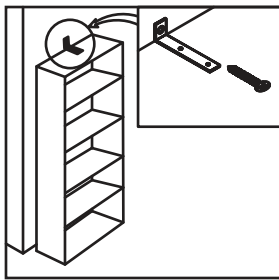
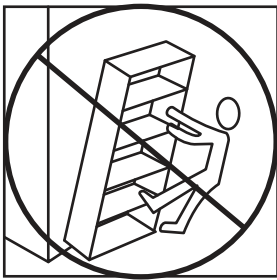
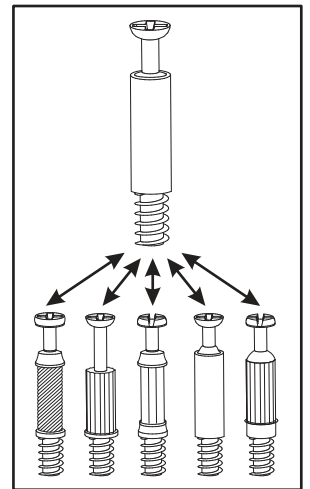
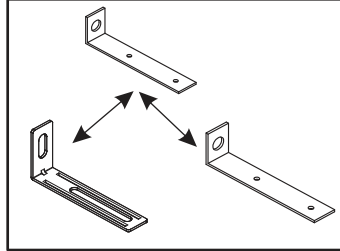
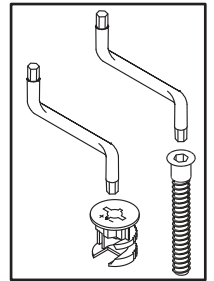
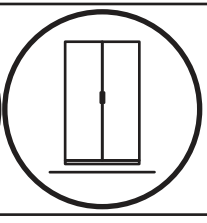
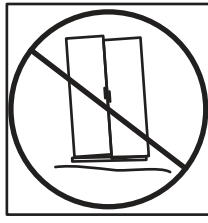
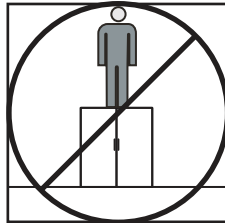
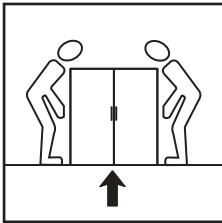
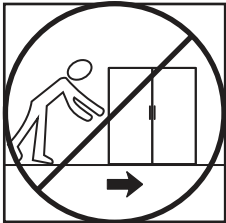
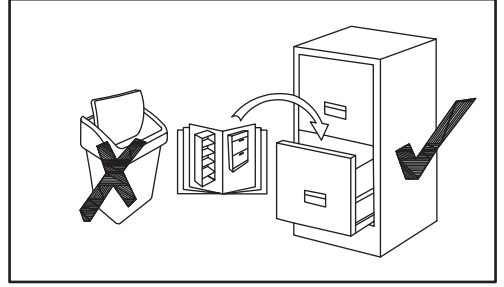
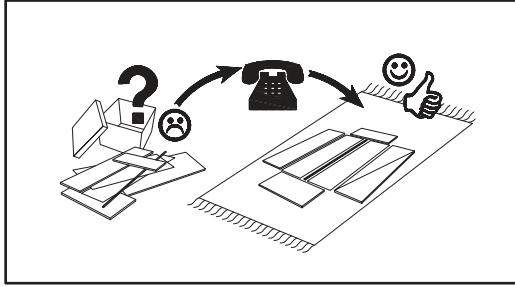
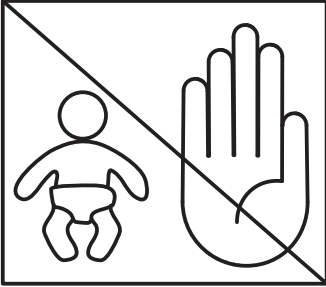
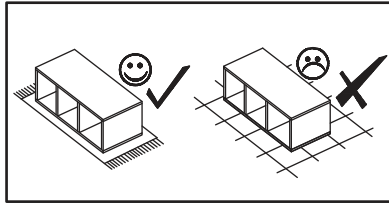
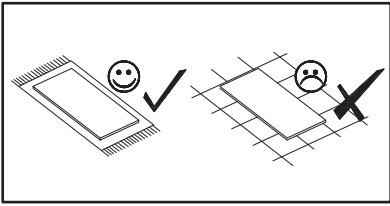
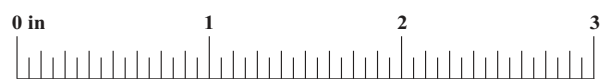
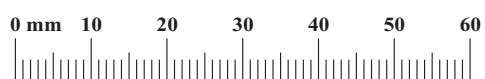
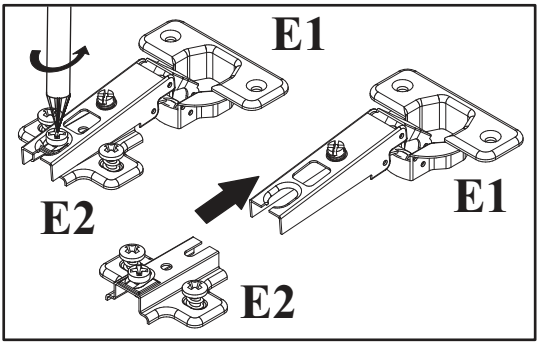



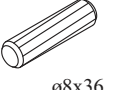
NO	Dim.			Col.-No	Qty
1	268	274	16	1	2
2	1602	274	16	1	1
3	1602	274	16	1	1
4	268	244	16	1	1
110	1580	280	3	1	1
105	1596	80	16	1	1
106	1596	80	16	1	1
107	60	136	16	1	2
9	1496	176	4	1	1

NO	Dim.			Col.-No	Qty
1	10 35/64	10 25/32	5/8	1	2
2	63 5/64	10 25/32	5/8	1	1
3	63 5/64	10 25/32	5/8	1	1
4	10 35/64	9 39/64	5/8	1	1
110	62 13/64	11 1/32	1/8	1	1
105	62 53/64	3 5/32	5/8	1	1
106	62 53/64	3 5/32	5/8	1	1
107	2 23/64	5 23/64	5/8	1	2
9	58 57/64	6 59/64	5/32	1	1

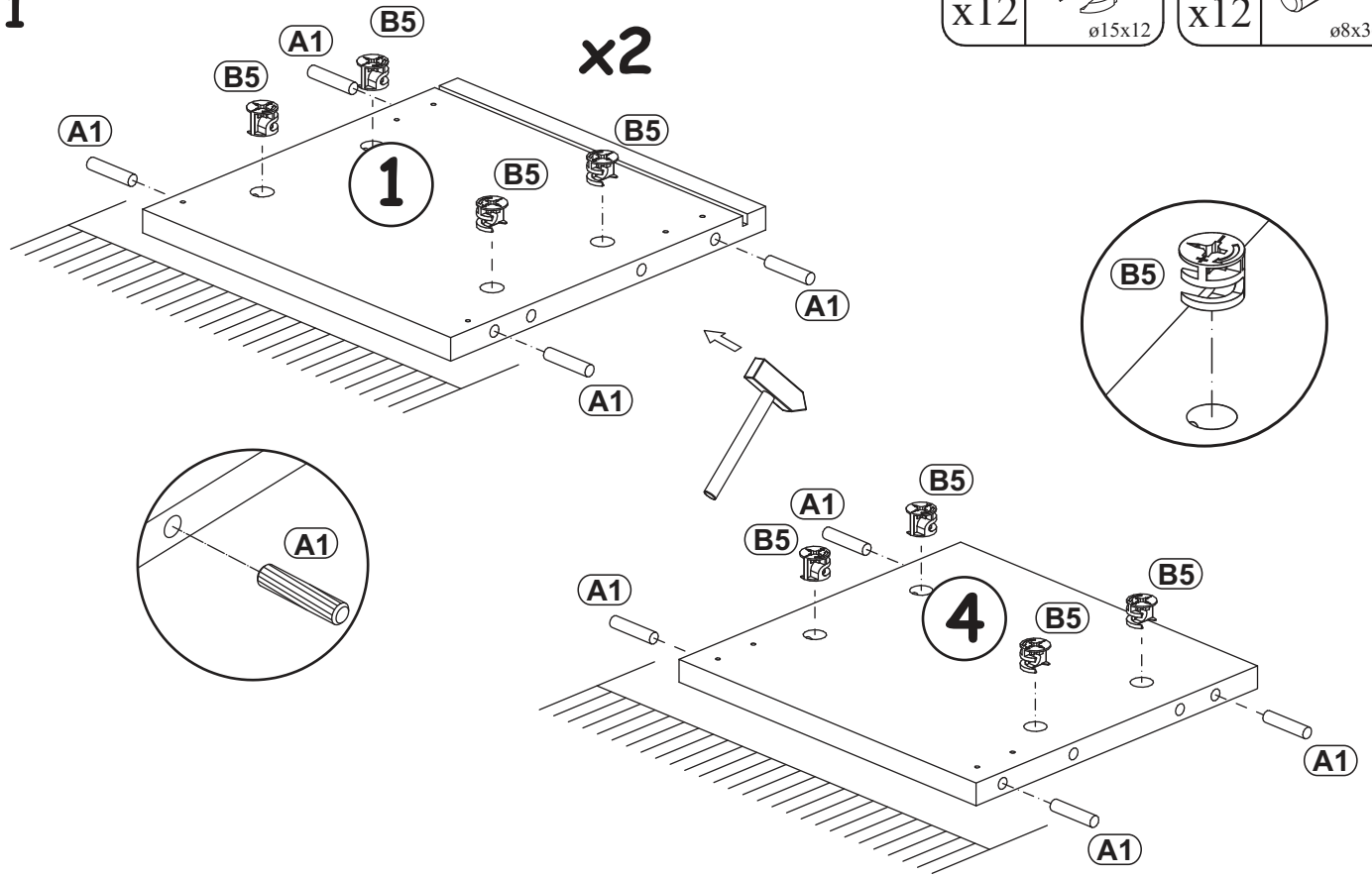


A1 x12	Ø5/16"x1 27/64" ø8x36	B4 x12		B5 x12	Ø19/32"x15/32" ø15x12	G5 x12		E2 x4	H=0	E1 x4	Ø1 1/32" Ø26 H=0
AM x2		BO1 x2		S1 x12		ZR1 x3		D6 x6	USØ9/64"x1 3/16" USØ3,5x30	D10 x22	USØ9/64"x33/64" USØ3,5x13
UP13 x12	UPØ1/8"x5/8" UPØ3x16	KR5 SFXP x4	Ø 25/64"/1 31/32" x2 23/64" Ø10/50x60	SZ9 x1	L=61 37/64" L=1564mm	P2 x10		LZ3 x1		SQ x2	
G2 x1											

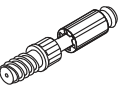


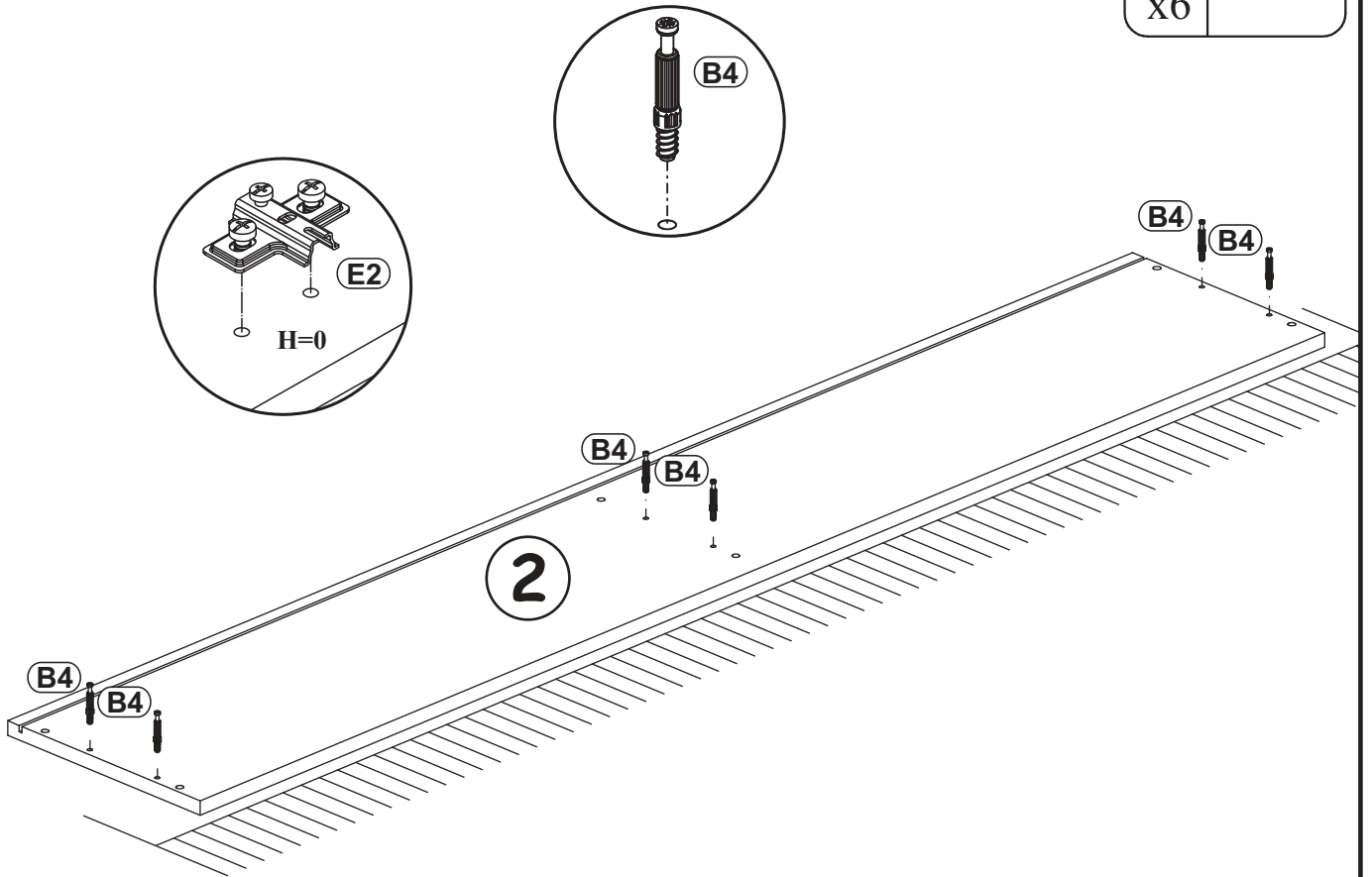
B5	Ø19/32"x15/32"	A1	Ø5/16"x1 27/64"
x12	 ø15x12	x12	 ø8x36


1

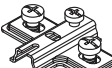


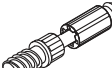
2

B4	
x6	

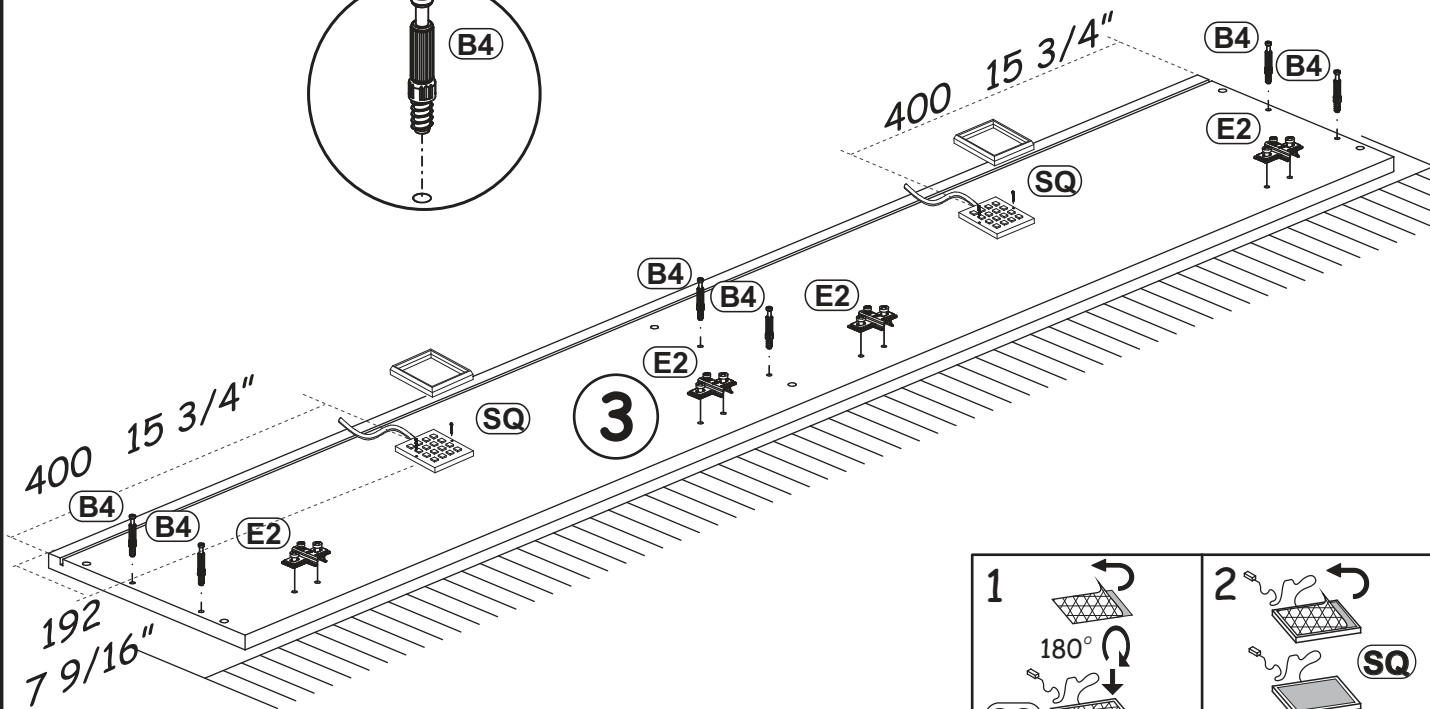
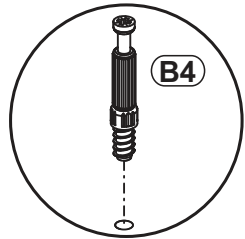



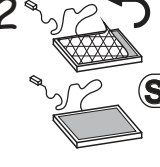
SQ	
x2	

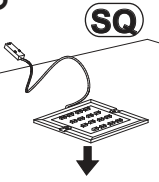
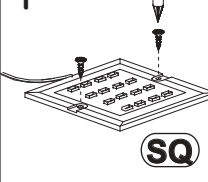
E2	
x4	H=0

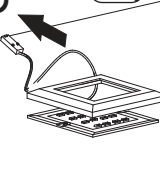
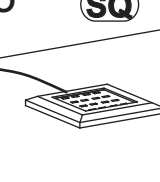
B4	
x6	

3

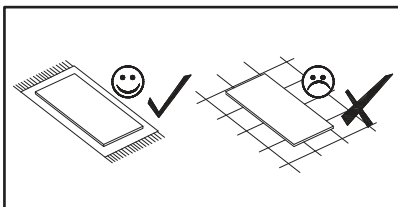


1	
2	


3	
4	

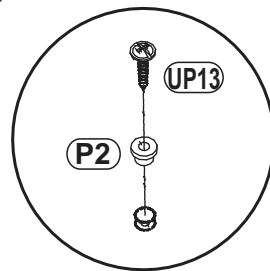
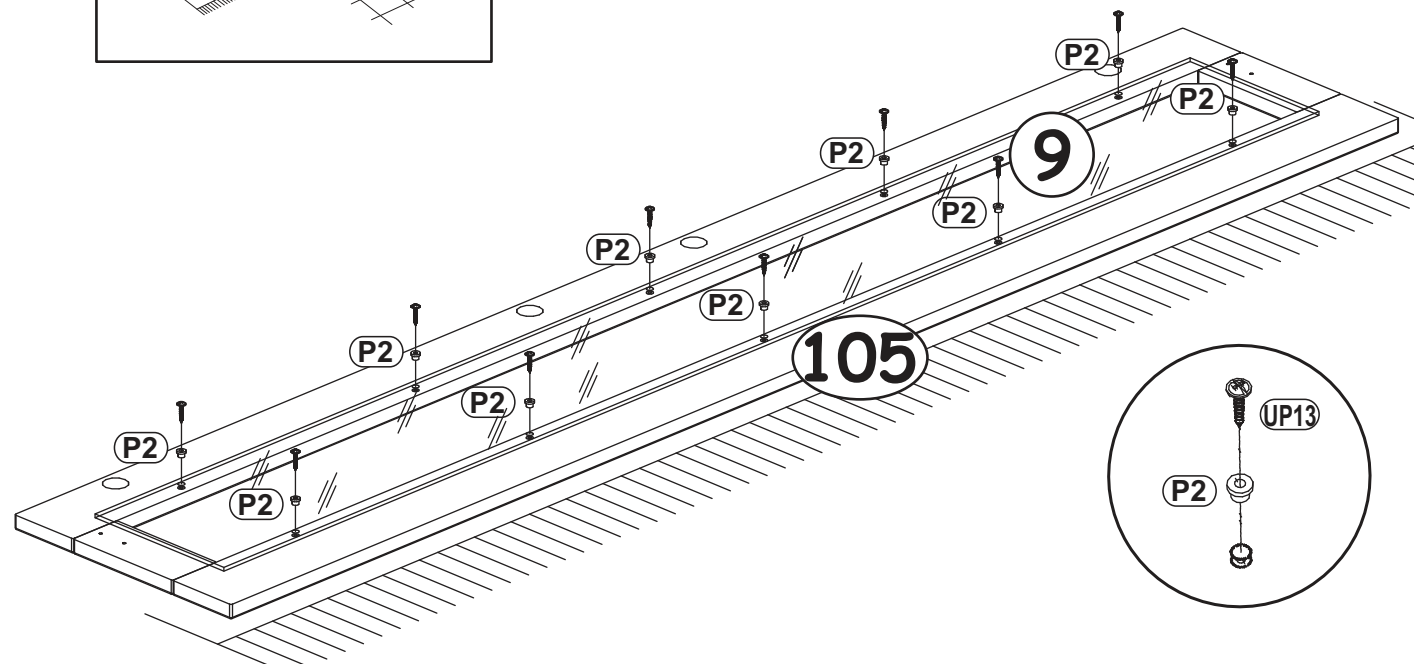
5	
6	

4




UP13	UPØ1/8"x5/8"
x10	UPØ3x16

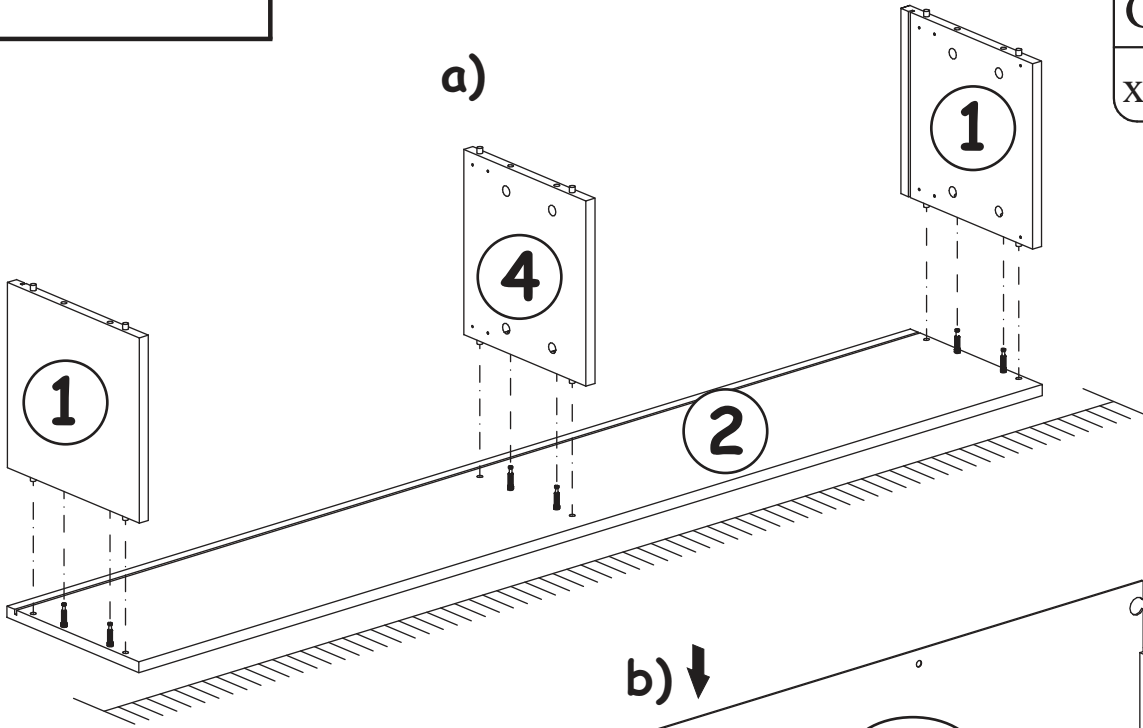
P2	
x10	



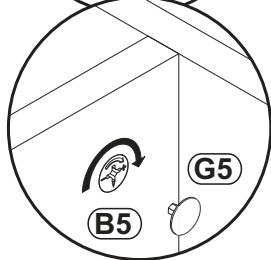
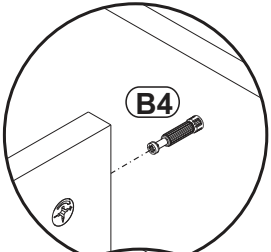
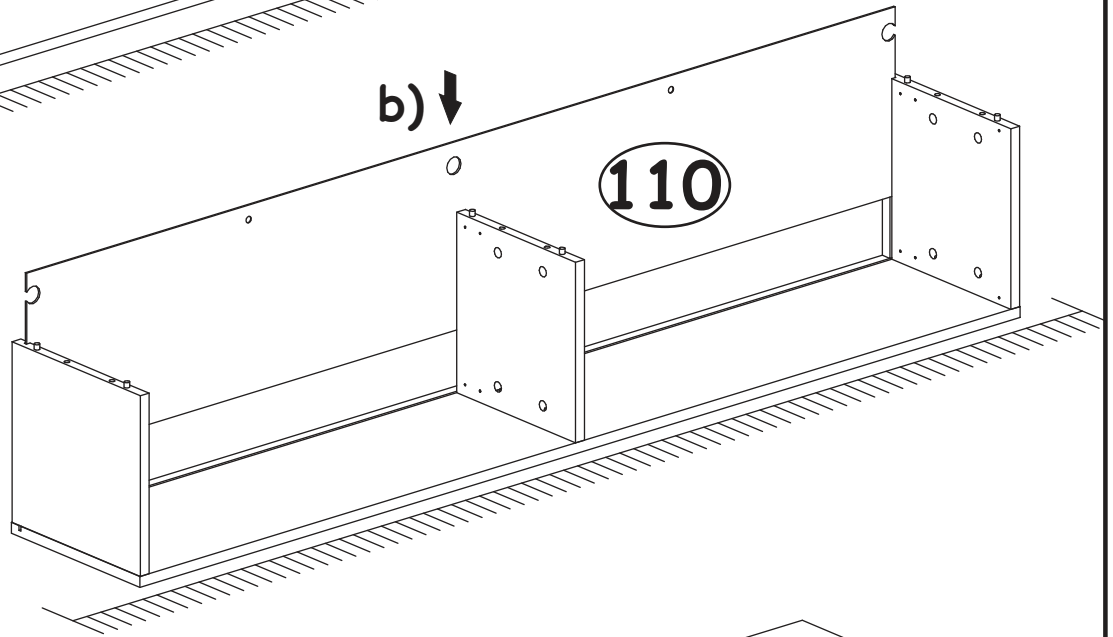
5

G5	
x12	

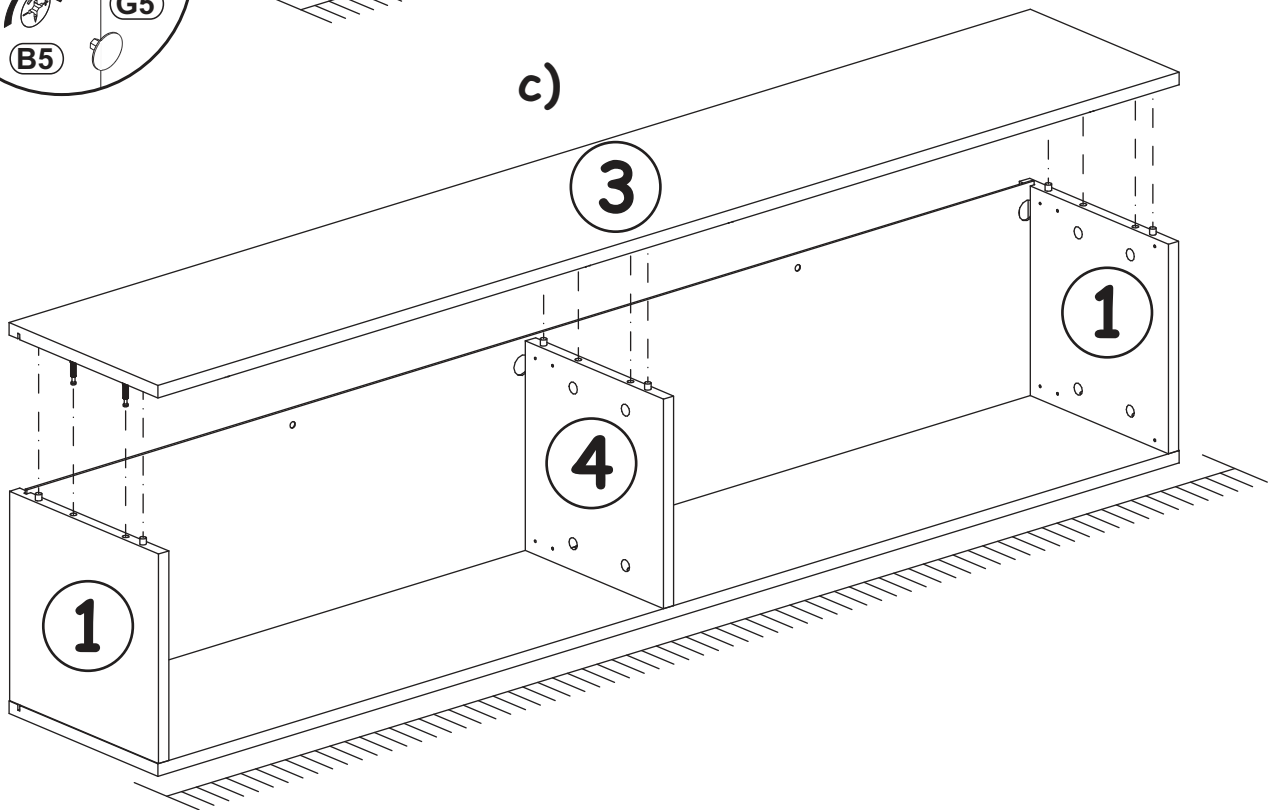
a)



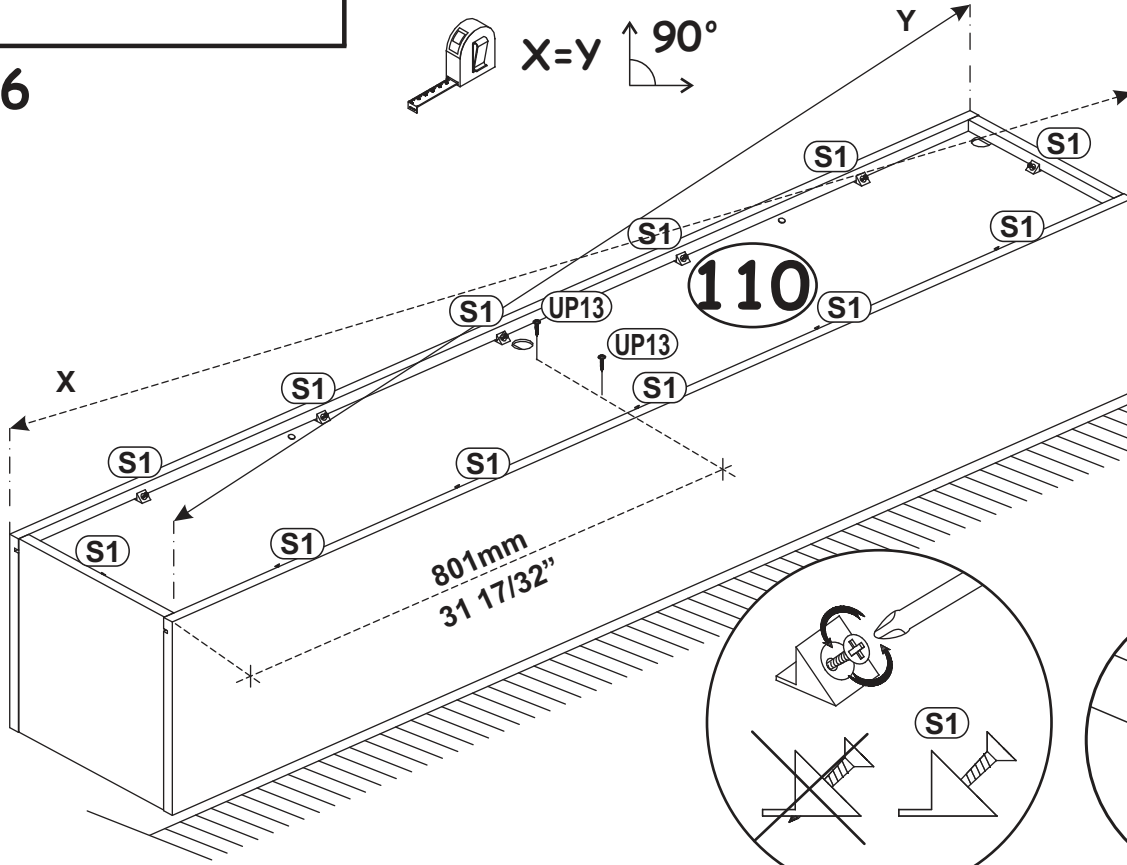
b) ↓




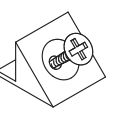
c)

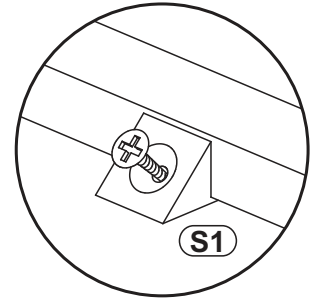
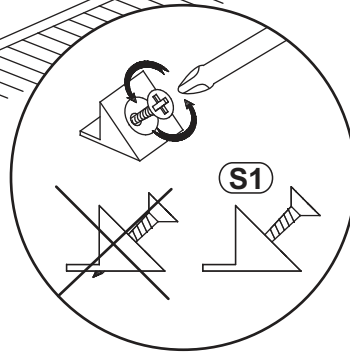
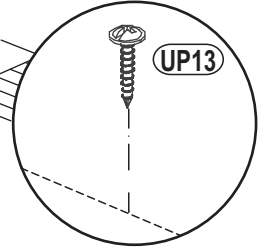


6

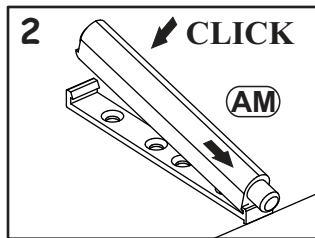
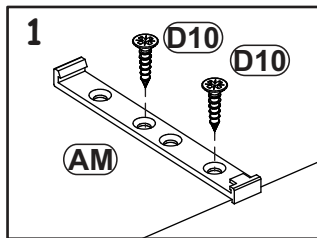


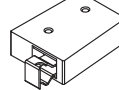
UP13	UPØ1/8"x5/8"
x2	 UPØ3x16


S1	
x12	

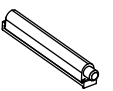



7

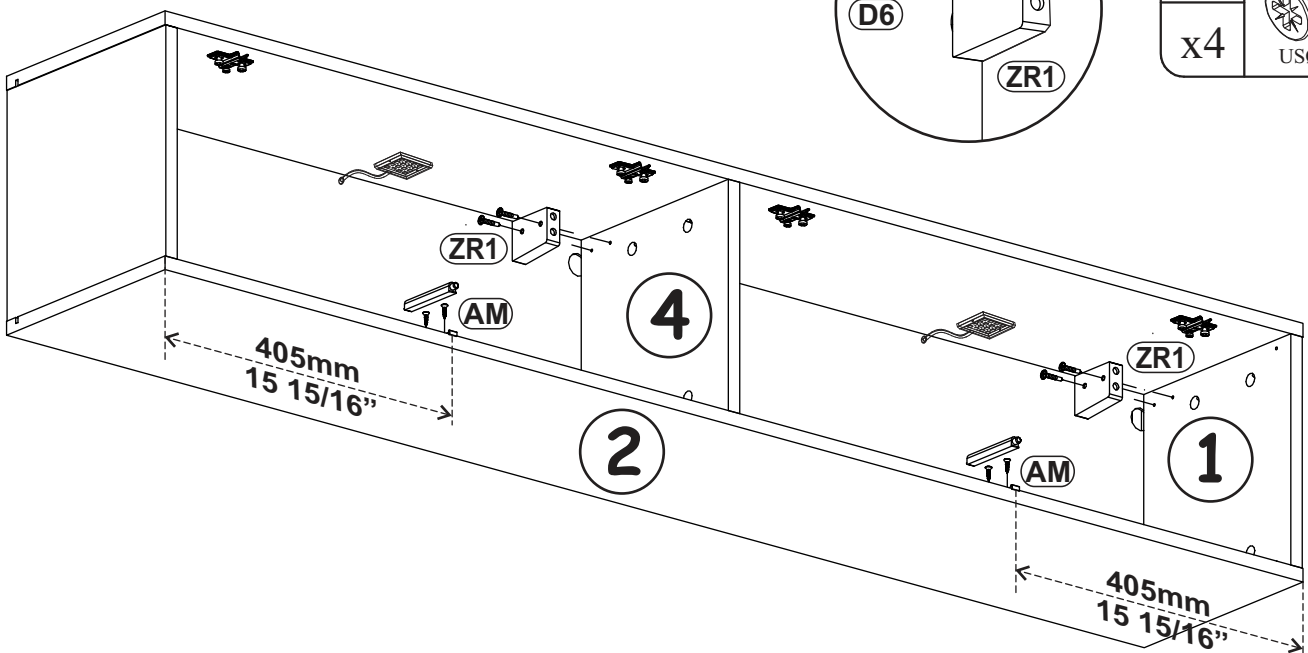
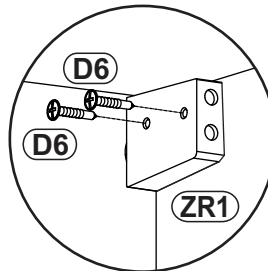


ZR1	
x2	

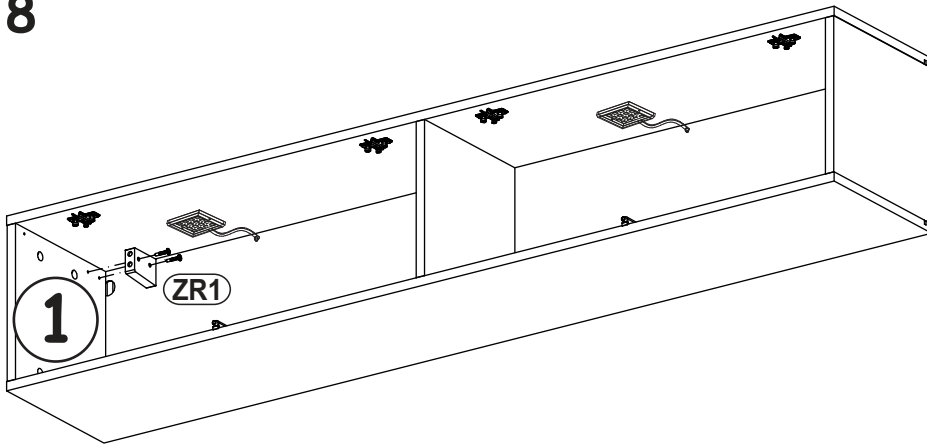
D6	USØ9/64"x1 3/16"
x4	 USØ3,5x30

AM	
x2	

D10	USØ9/64"x33/64"
x4	 USØ3,5x13

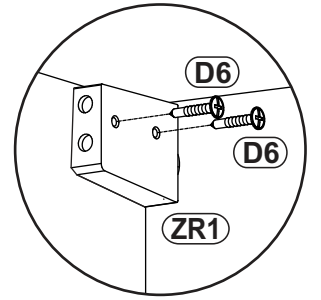


8

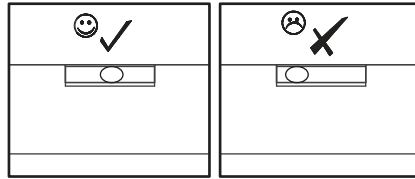


ZR1	
x1	

D6	USØ9/64"x1 3/16"
x2	USØ3,5x30

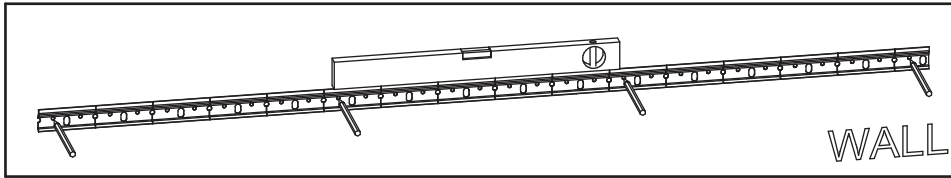


9

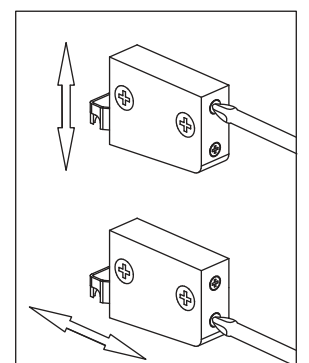
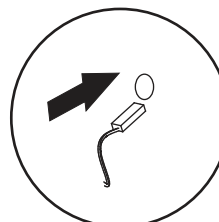
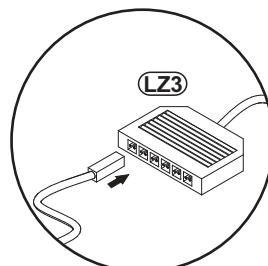
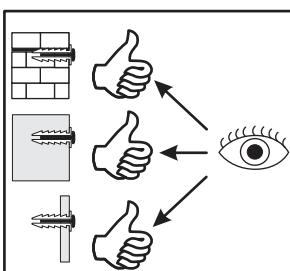
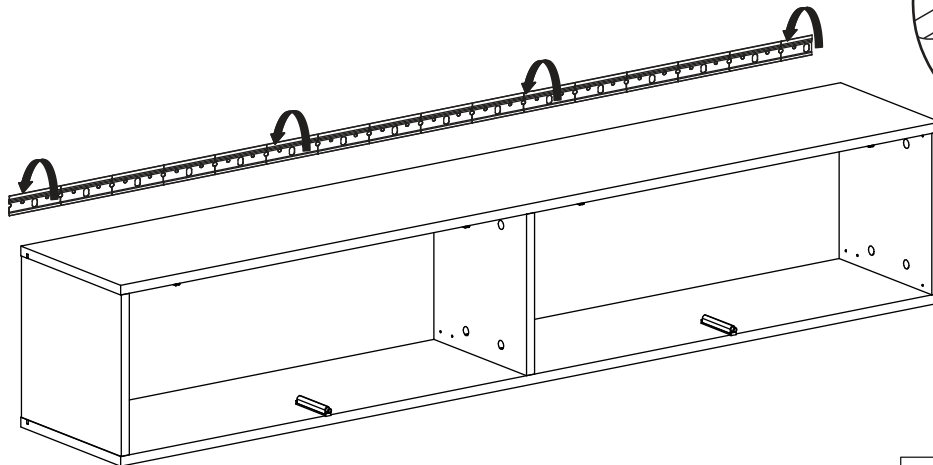
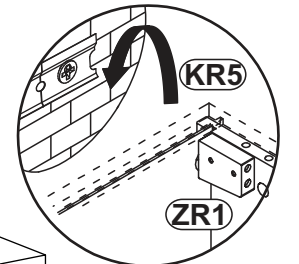
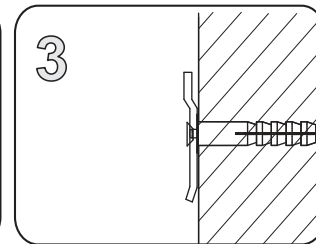
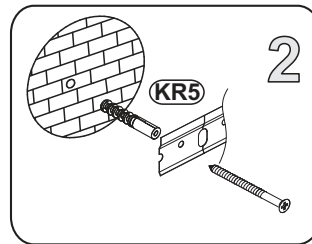
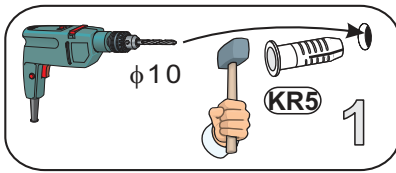


KR5	Ø 25/64"/1 31/32" x2 23/64"
SFXP	
x4	Ø10/50x60

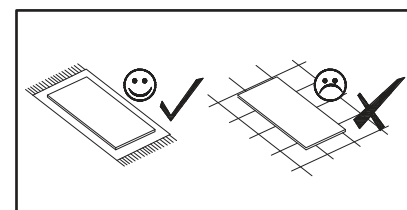
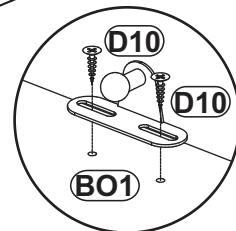
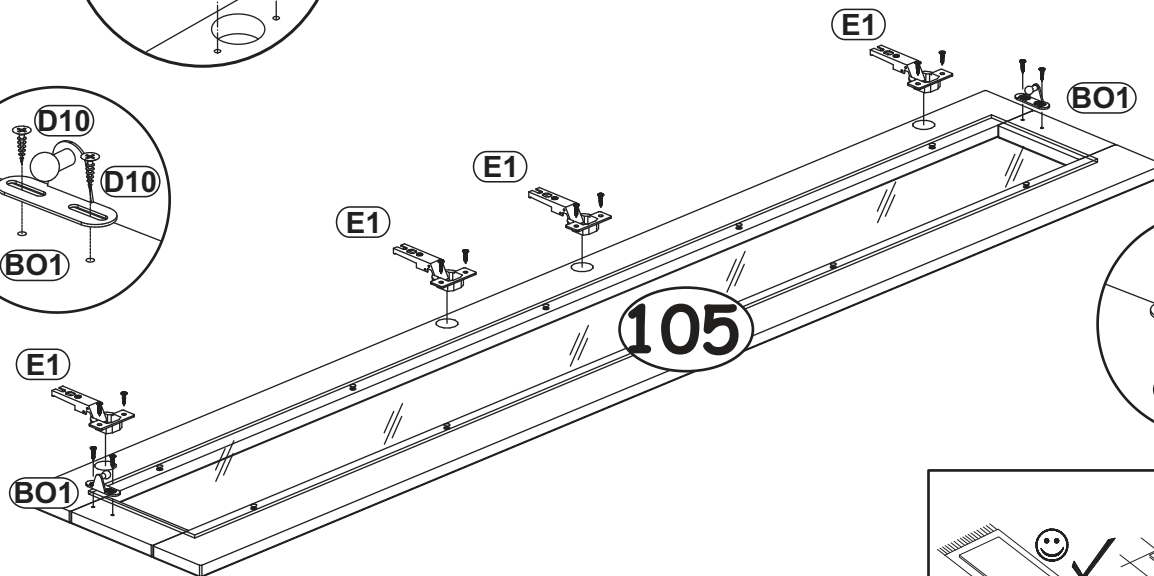
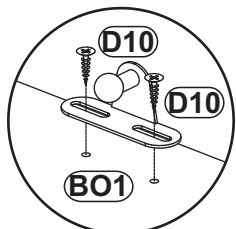
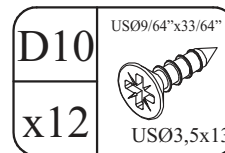
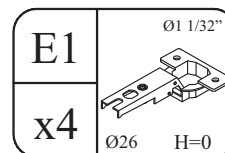
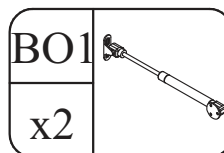
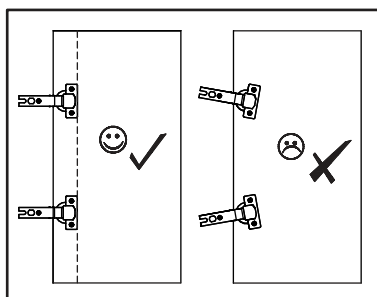
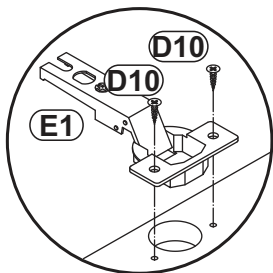
SZ9	L=61 37/64"
x1	L=1564mm



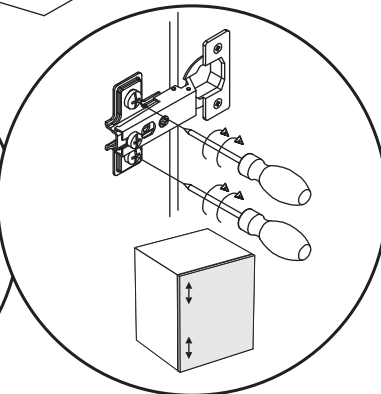
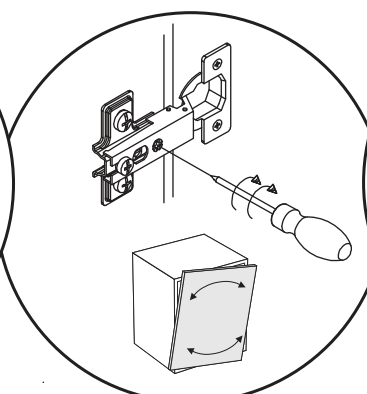
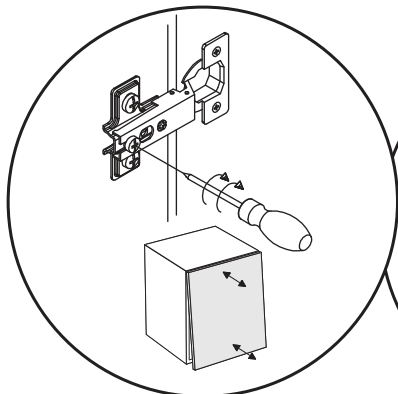
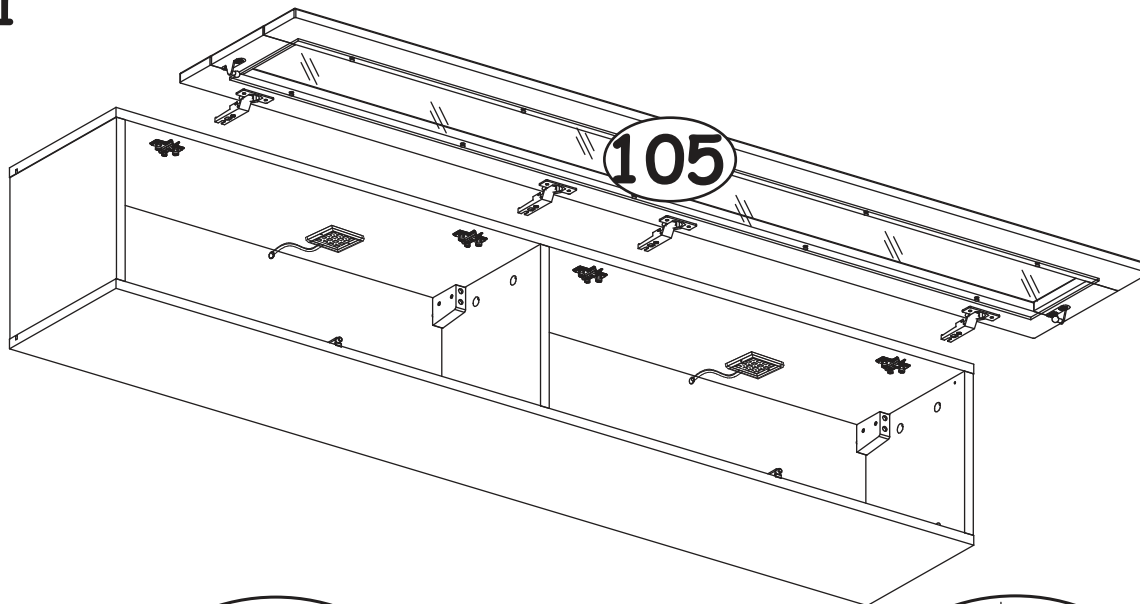
LZ3	
x1	



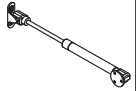

10



11



12

D10	US09/64"x33/64"	BO1	
x6	 US03,5x13	x2	

