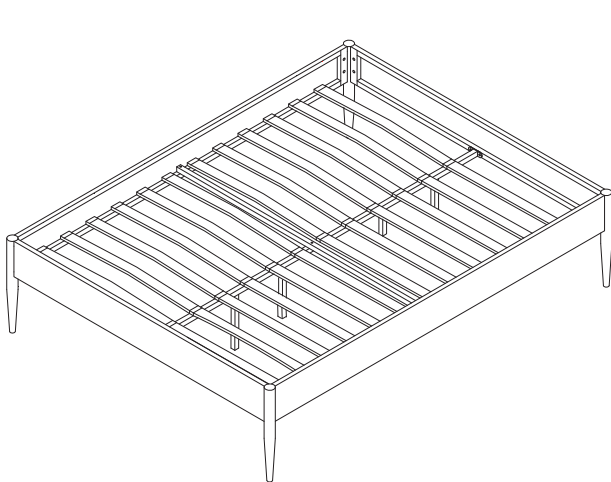














Thank you for purchasing the **FULL/QUEEN BED FRAME!**

Before you start, here are some helpful advice:

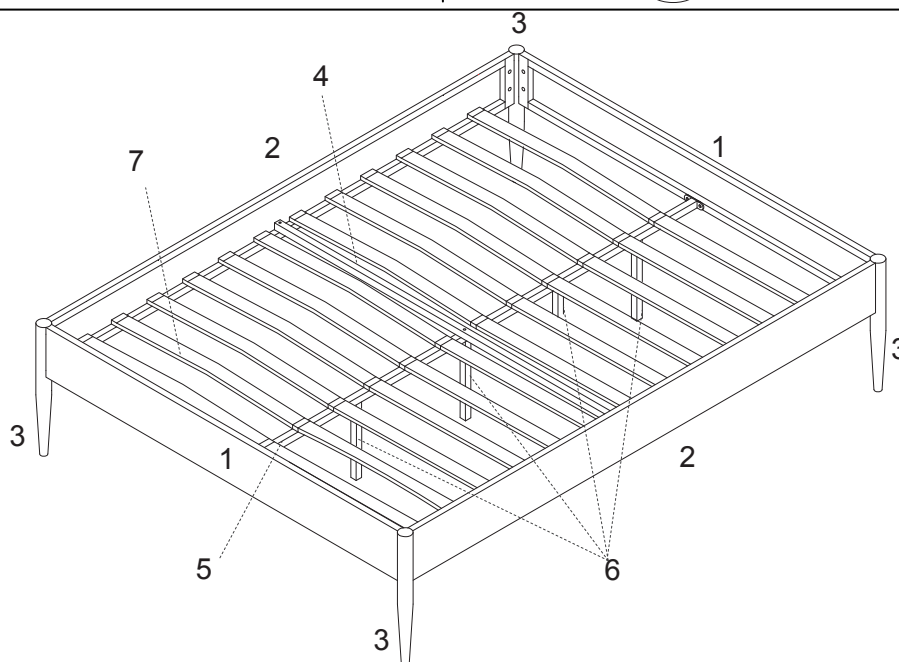
1. We suggest you spend a short time reading through this leaflet and then follow the simple step by step instructions.
2. Owing to the size and weight of the bed frame, we recommend that it is assembled by two adults, on a carpeted or padded area, in the room that it is intended for. Approximately assembly time: 30 minutes.
3. Please do not use any tools other than those provided or recommended in these instructions.
4. Please do not throw away any of the packaging or the instruction until you have checked all the components and hardware and the furniture is fully assembled. Please ensure that the packaging is disposed of in a safe environmentally friendly way.
5. Assemble all components loosely until advised to tighten. Depending on use, it may be necessary to tighten the components from time to time, so please save the tools that has been provided.
6. Please keep all fitting out of reach of children.



Hardware:

A		Bolt M8x20mm	x16
B		Nut M6	x9
C		Allen Wrench M8	x1
D		Open Wrench	x1
E		Side Plastic Cover	x24
F		Allen Wrench M6	x1
G		Bolt M6x55mm	x1
H		Bolt M6x35mm	x10
I		Bolt M6x20mm	x4
J		Center Plastic Cover	x12
K		Flat Washer M6	x13
L		Flat Washer M8	x16

Component:



1	Short Board	x 2	2	Long Board	x2	3	Leg	x4	4	Stretcher	x1
5	Center Rail	x1	6	Support Leg	x4	7	Slats	x24			

FULL/QUEEN BED FRAME

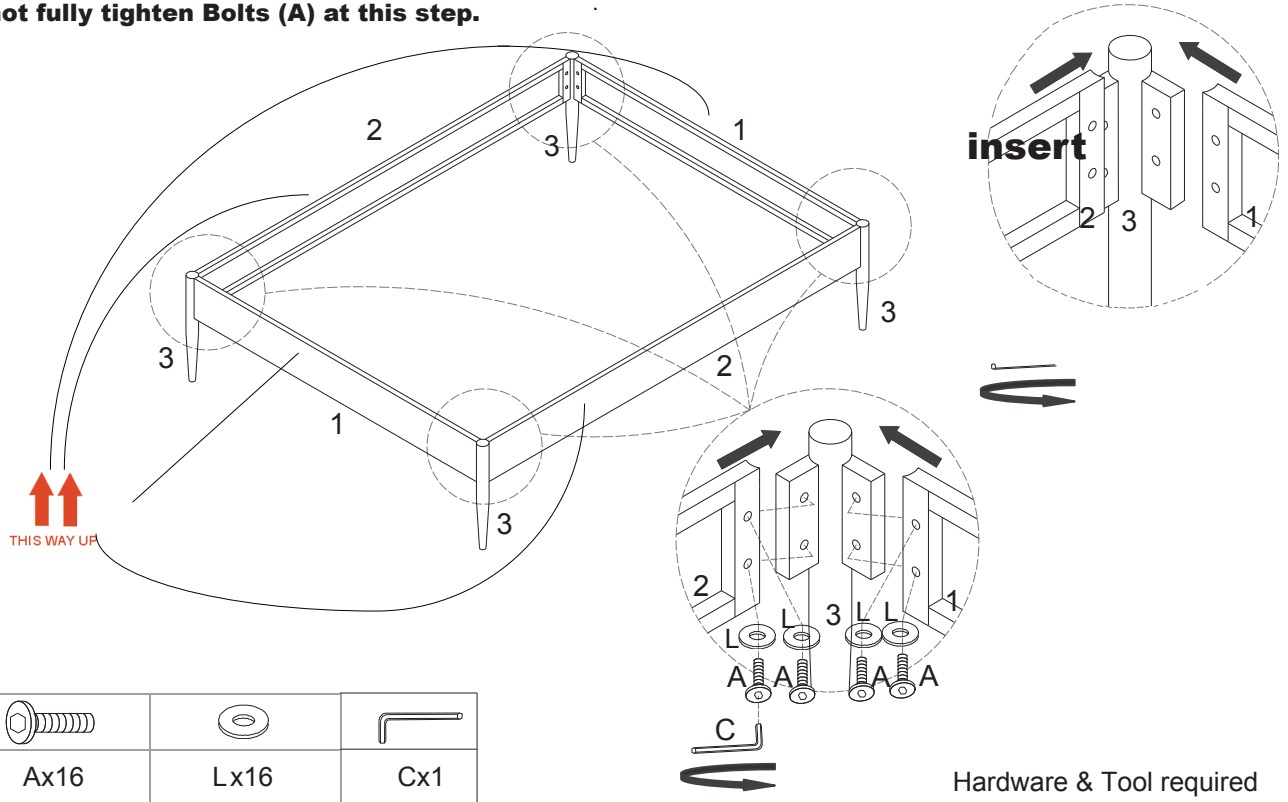
STEP 1:

Insert the end of **Leg (3)** into **Short Board (1)** and **Long Board (2)** as shown.

Secure by using 4 pieces of **Bolts (A)** and **Flat washer M8 (L)**, tighten **Bolts (A)** by using **Allen Wrench (C)**.

Repeat the same steps for the remaining 3 pieces of **Legs (3)**.

Dot not fully tighten Bolts (A) at this step.



STEP 2:

Place 1 piece of **Support Leg (6)** under **Center Rail (5)** as shown.

Insert 2 pieces of **Bolts (H)** through the holes on the middle **Center Rail (5)** into the holes on **Support Legs (6)** as shown.

Tighten **Bolts (H)** with 2 pieces of **Nuts (B)**/Flat Washer (**K**) by using **Allen Wrench (F)** and **Open Wrench (D)** until Secure.

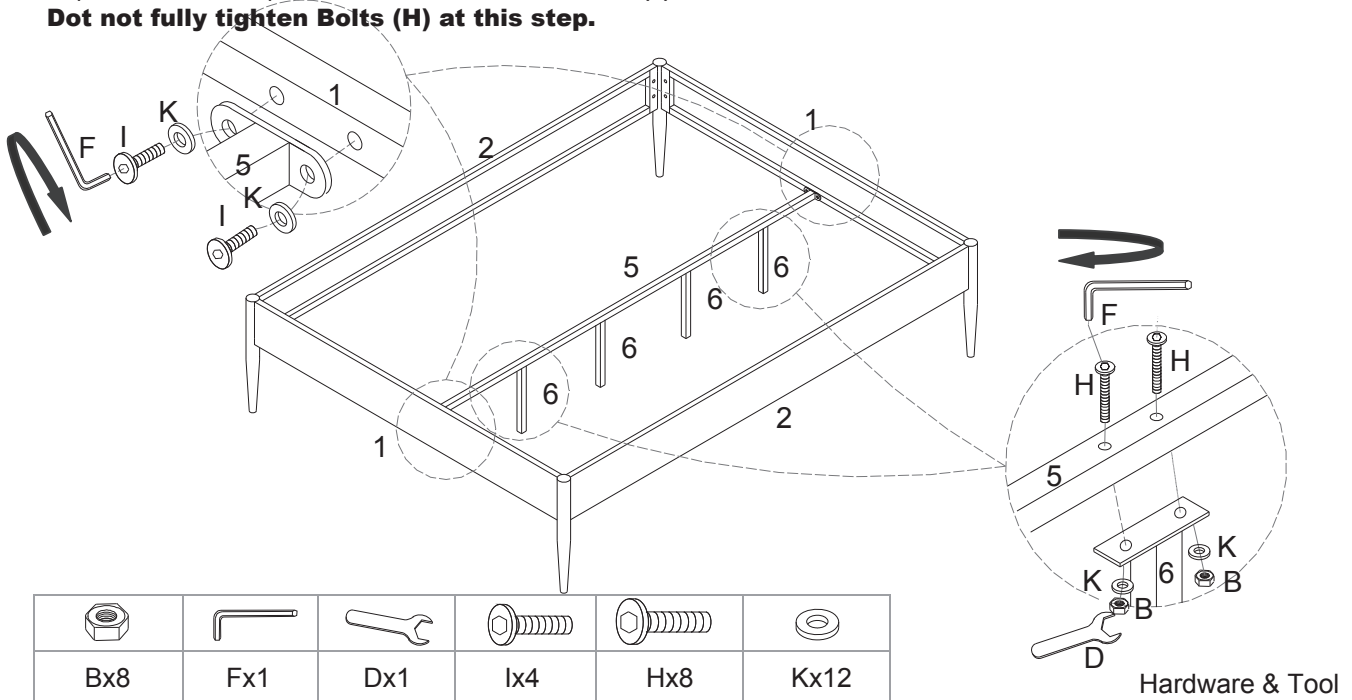
Repeat the same steps for the remaining **Support Legs (6)**.

Secure one end of **Center Rail (5)** by using 2 pieces of **Bolts (I)** with 2 pieces of **Flat Washers (K)** as shown.

Tighten **Bolts (I)** by using **Allen Wrench (F)**

Repeat the same steps for the other end of **Center Rail (5)**.

Dot not fully tighten Bolts (H) at this step.



FULL/QUEEN BED FRAME

STEP 3:

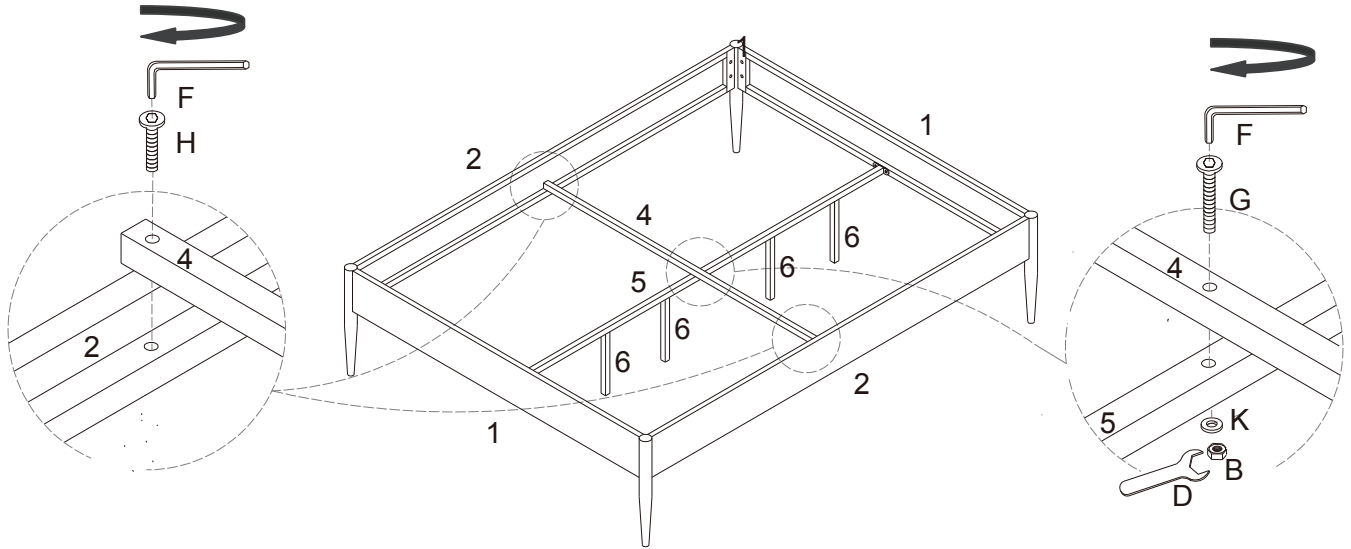
Place **Stretcher (4)** to the middle holes of assembled **Long Board (2)** and **Center Rail (5)** as shown.







Secure the end of **Stretcher (4)** by using 2 pieces of **Bolts (H)** as shown.

Secure the middle of **Stretcher (4)** by using 1 piece of **Bolt (G)** and **Flat Washer (K)**.

Tighten **Bolts (G)** by using **Allen Wrench (F)** and **Nut (B)**.

Dot not fully tighten Bolts (G) at this step.



					
Hx2	Bx1	Fx1	Dx1	Gx1	Kx1

Hardware & Tool required

STEP 4:

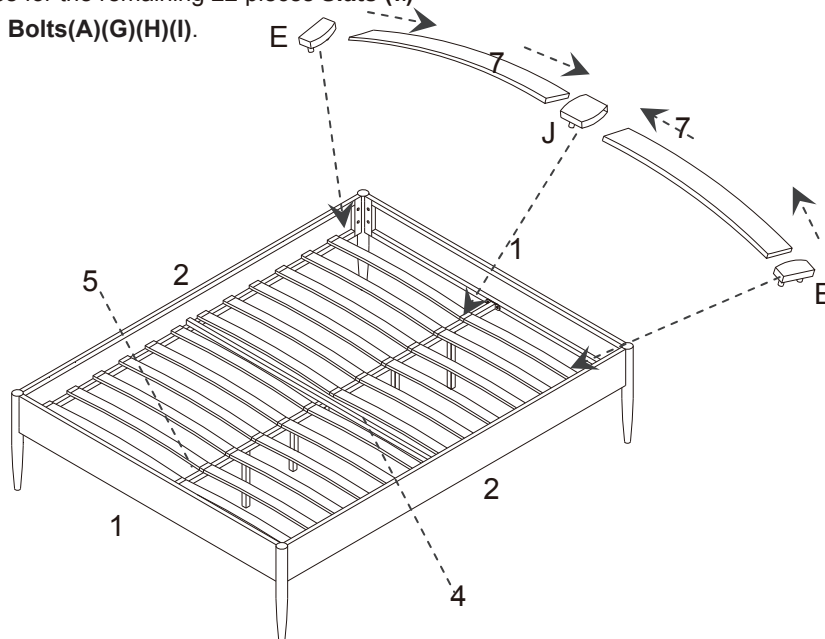
Insert 2 pieces of **Side Plastic Cover (E)** into each end of 2 pieces of **Slats (7)** as shown.

Insert the other end of the **Slats (7)** into 1 piece of **Center Plastic Covers (J)** as shown.


Insert the assembled **Side Plastic Covers (E)** into the corresponding holes on **Long Board (2)**, and insert the assembled **Center Plastic Cover (J)** into the corresponding holes on **Center Rail (5)** as shown.

Repeat the same steps for the remaining 22 pieces **Slats (7)**.

Please fully tighten all **Bolts(A)(G)(H)(I)**.



Assembly is complete. Your bed frame is ready to be enjoyed now!

	
Ex24	Jx12

Hardware & Tool required