

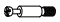









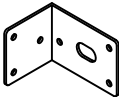


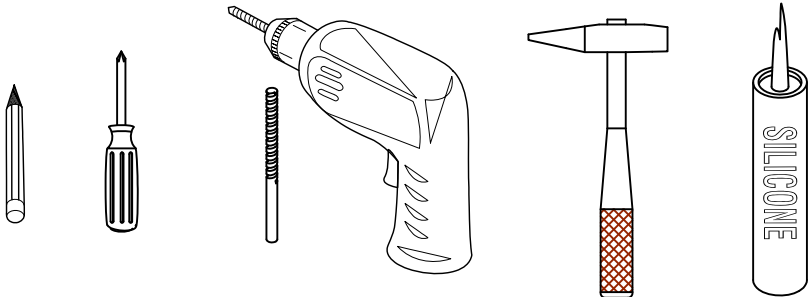
Thank you for shopping with us!

We encourage you to take a few minutes to go through this booklet. It contains important information on installation and care tips to keep your furniture looking as good as new.

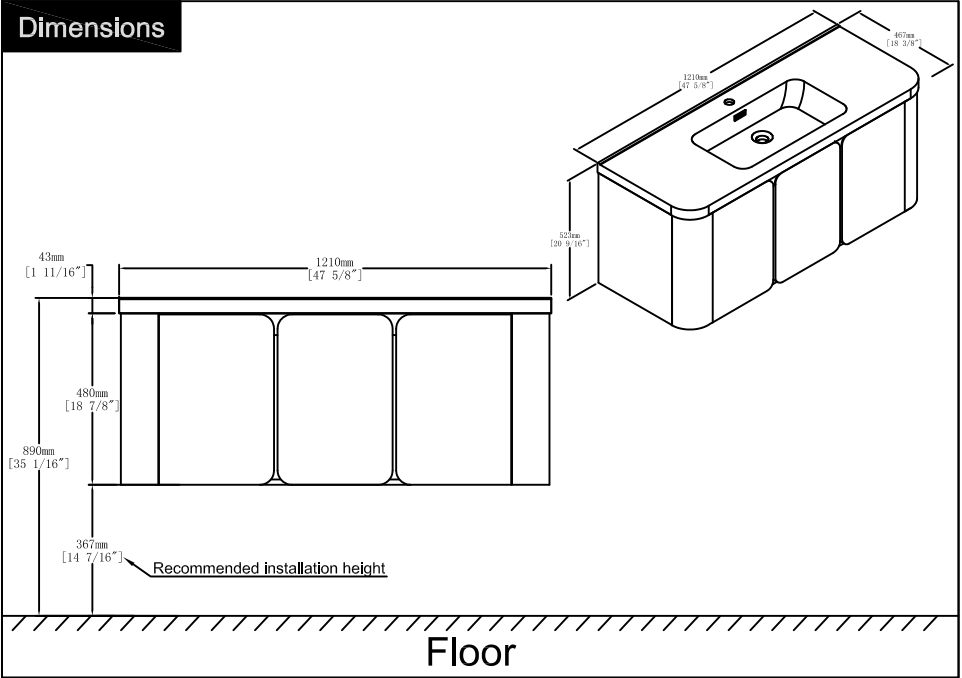
Hardware

NO.	Draw	QTY	NO.	Draw	QTY
A	 Screws Ø4x14mm	68	H	 Bracket (19x19x35mm)	2
B	 Two-in-one connector	39	I	 Hinges(Internal hiding)	4
C	 Two-in-one connector	39	J	 Hinges (Half cover)	2
D	 Wood plug	7	K	 Screws Ø4x25mm	7
E	 Plastic anchor(Ø10mm)	4	L	 Anti-collision gasket	6
F	 Screws for fix on the wall	4	M	 Screwdriver	1
G	 Bracket (53x70x44mm)	4			

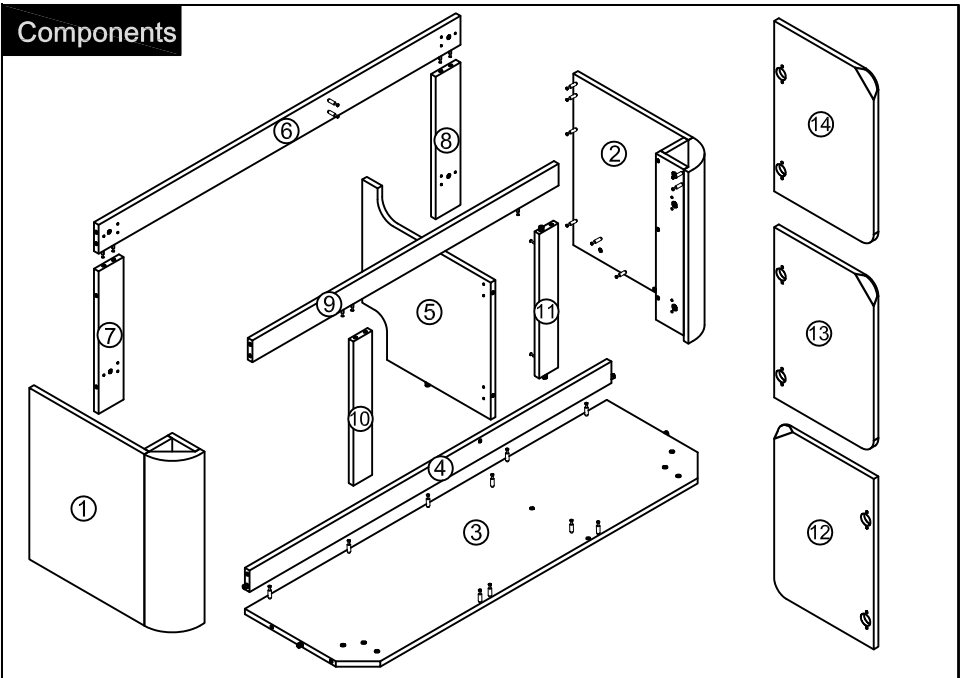
Recommended tools



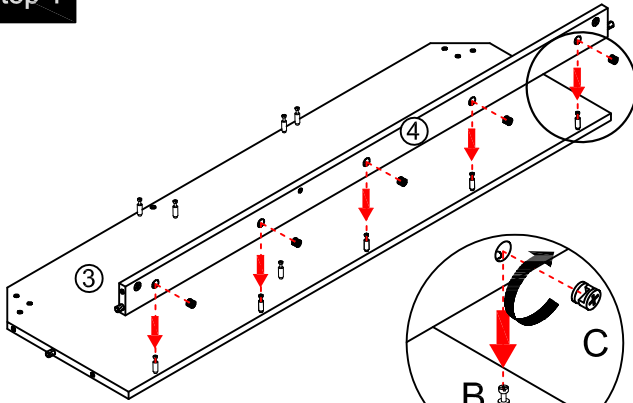
Dimensions

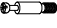




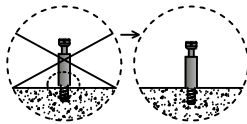
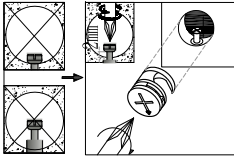
Components



Step 1

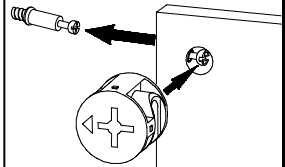


	x5
B	
	x5
C	
	
M	

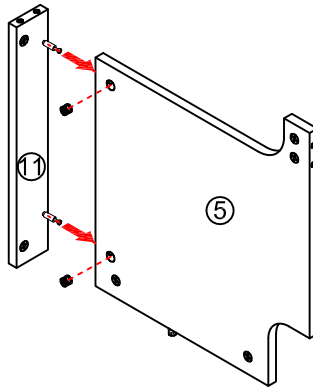


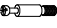


Notes: Screw installation depth as shown

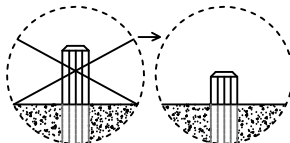
Attention: Cam lock arrow point to the steel rod.



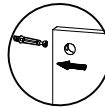
Step 2



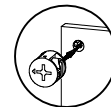
	x2
B	
	x2
C	
	
M	



first step



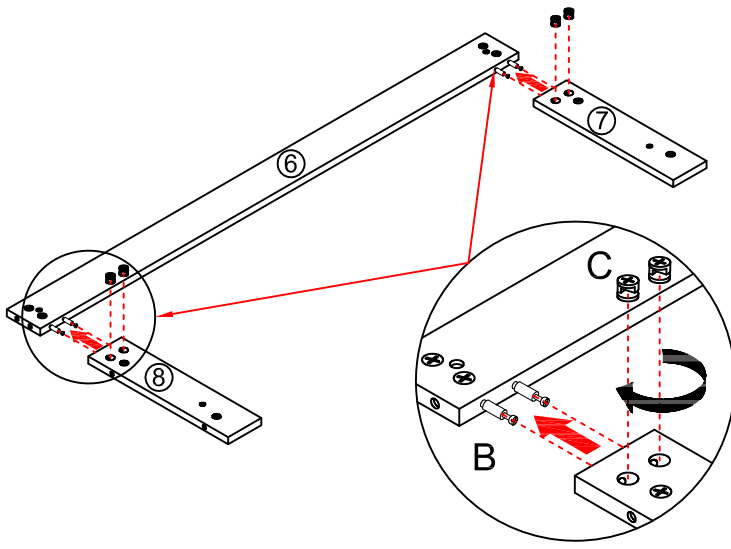
second step

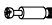

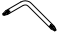


third step

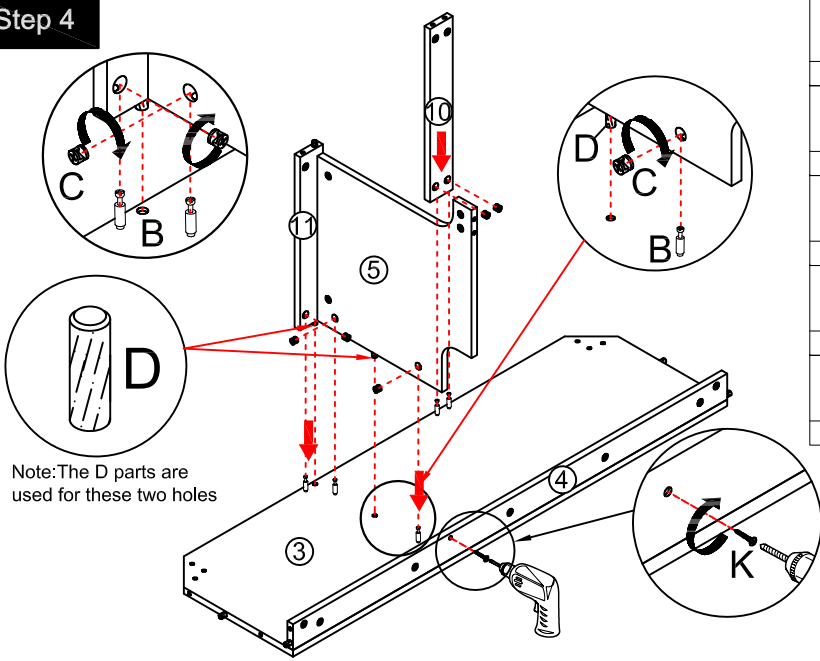


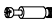



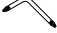
Step 3



-  x4
- B**
-  x4
- C**
- 
- M**

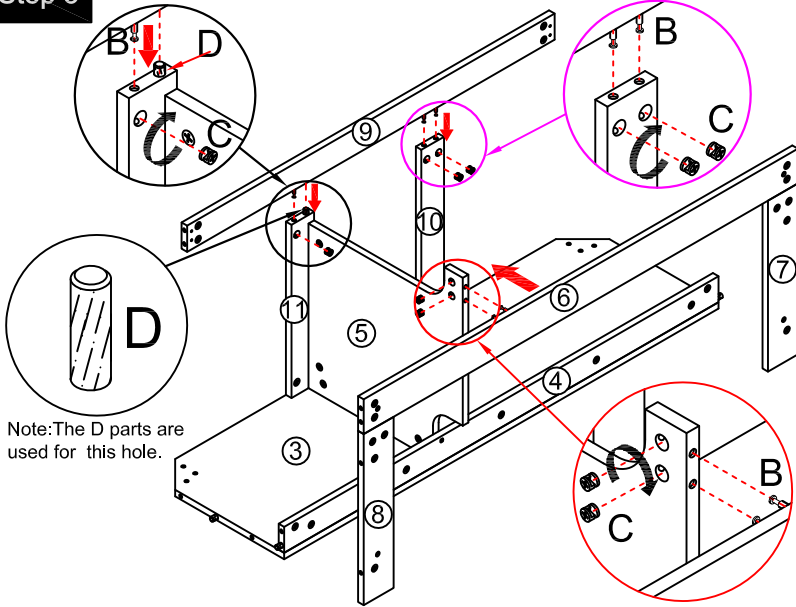
Step 4



-  x5
- B**
-  x5
- C**
-  x2
- D**
- ($\varnothing 4 \times 25\text{mm}$)
-  x1
- K**
- 
- M**

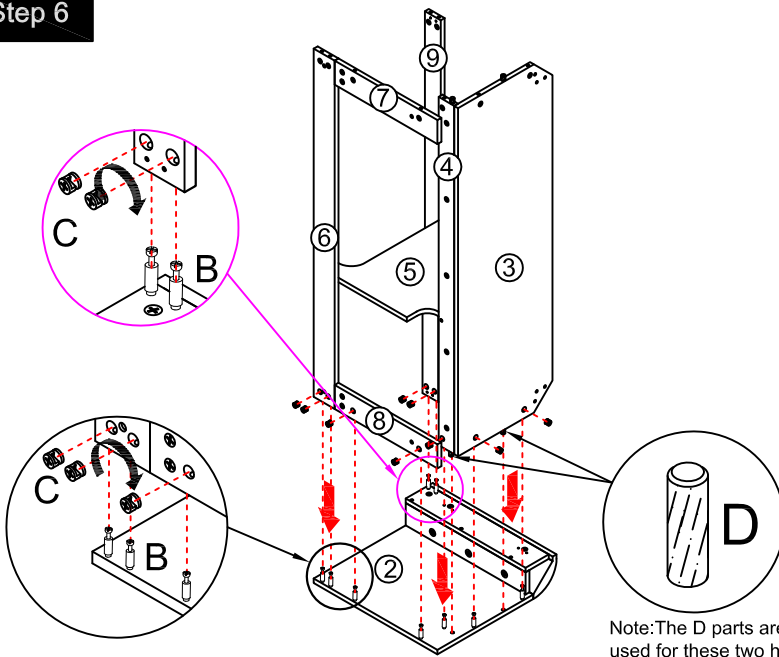
Note: The D parts are used for these two holes

Step 5



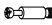



	x5
B	
	x5
C	
	x1
D	
M	

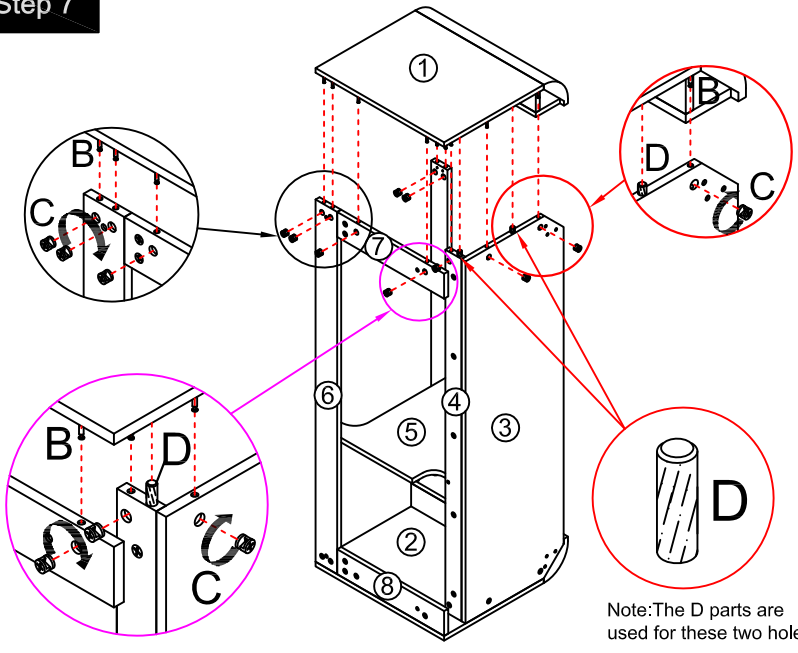
Step 6



	x9
B	
	x9
C	
	x2
D	
M	



Step 7

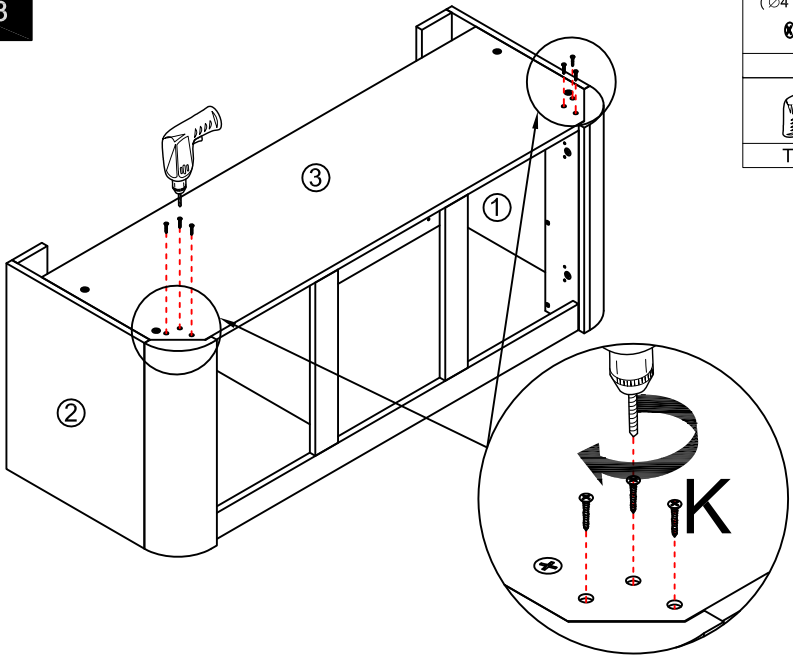
-  x9
- B**
-  x9
- C**
-  x2
- D**
- 
- M**



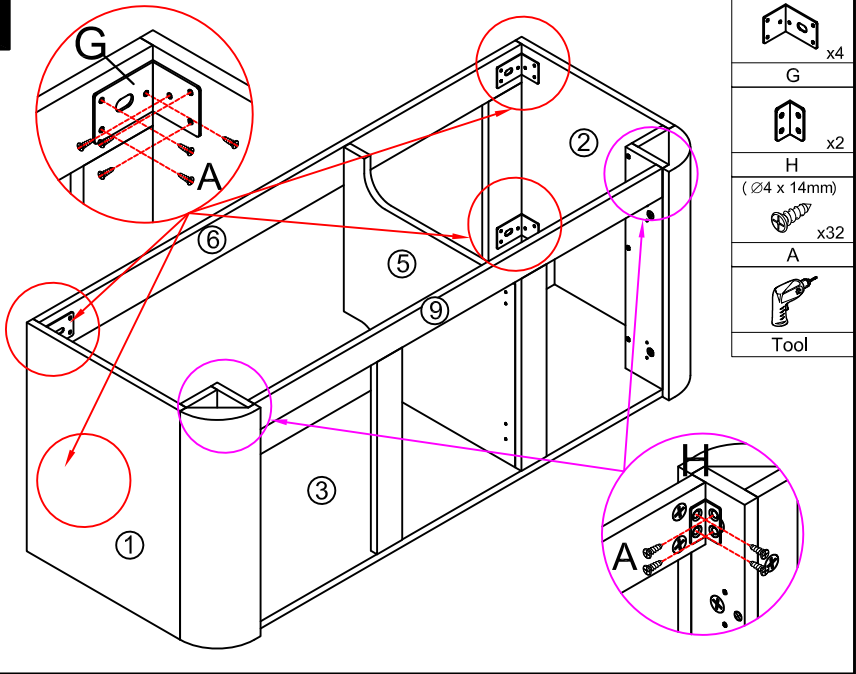
Note: The D parts are used for these two holes.

Step 8

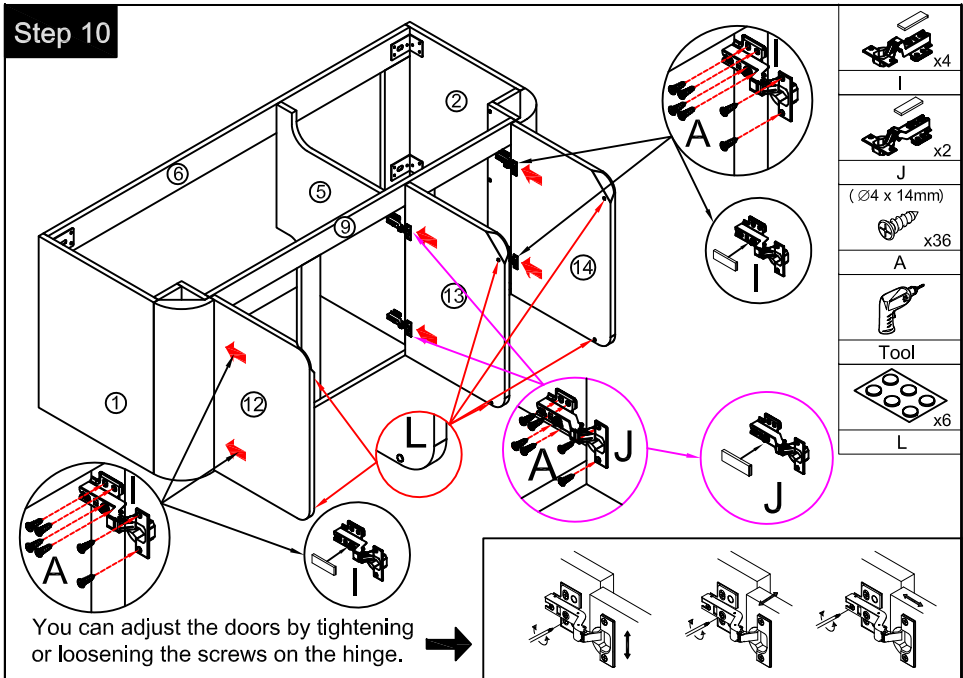
- ($\varnothing 4 \times 25\text{mm}$)
-  x6
- K**
- 
- Tool



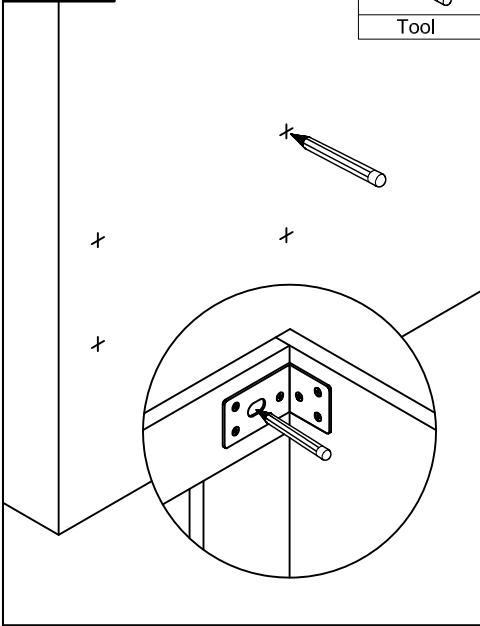
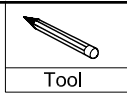
Step 9



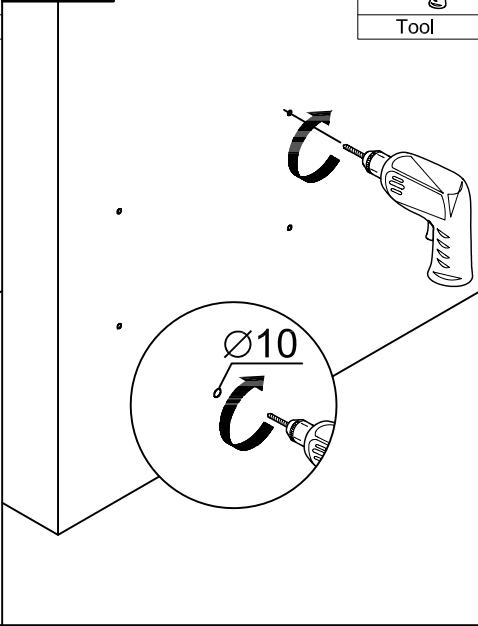
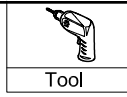
Step 10



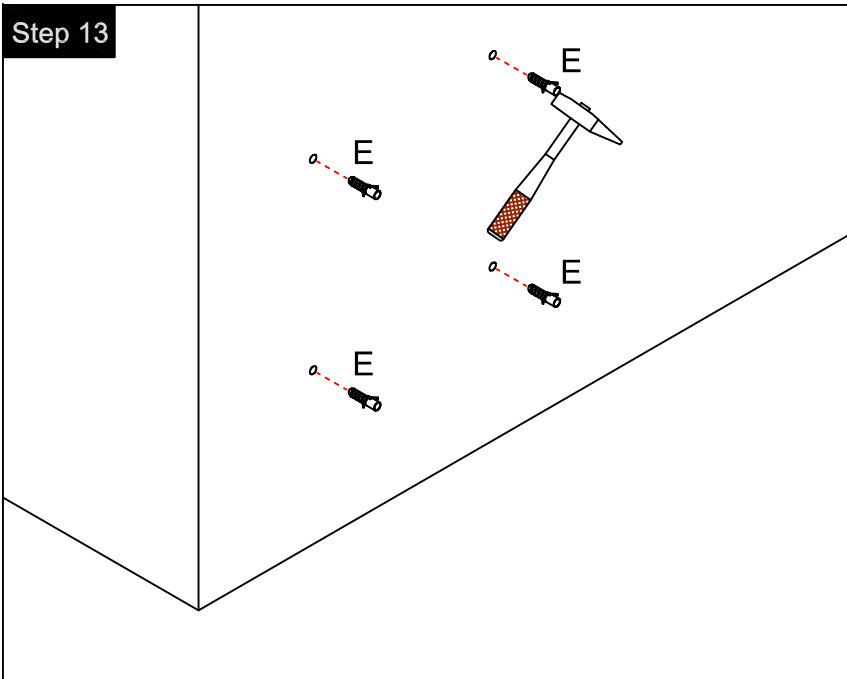
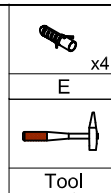
Step 11



Step 12



Step 13



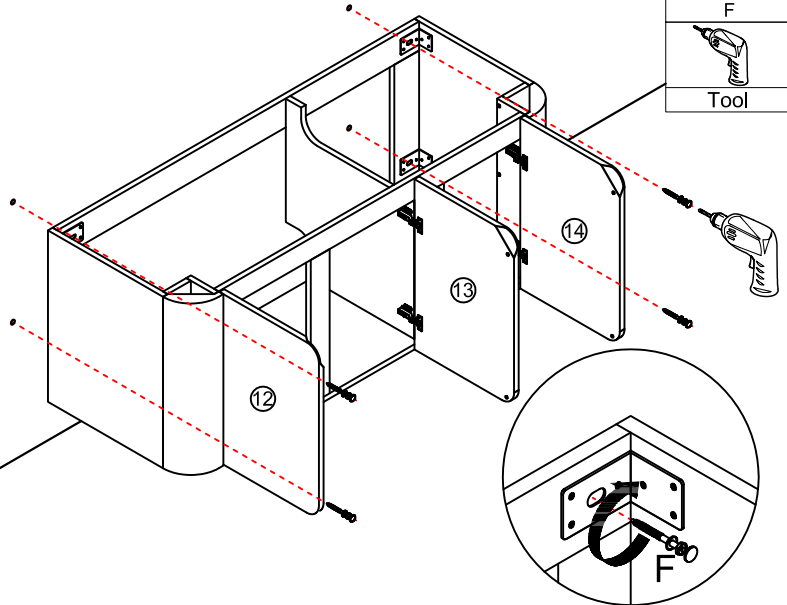
Step 14

009 x4

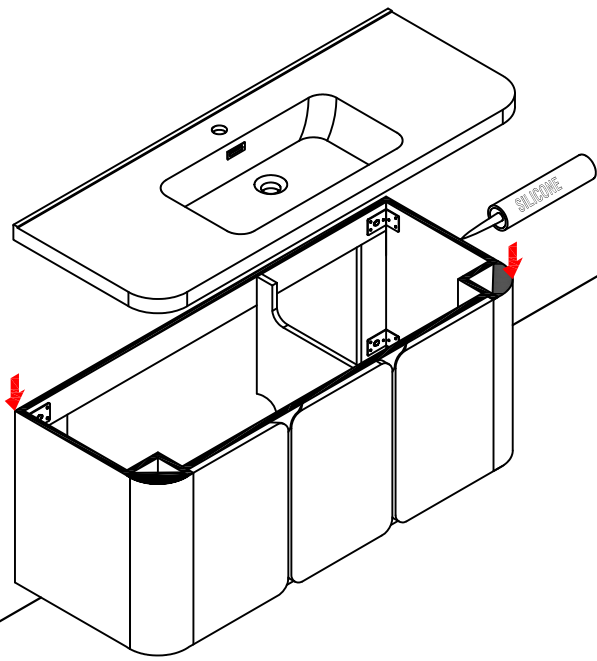
F



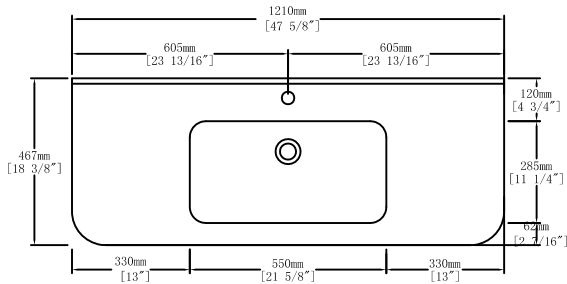
Tool



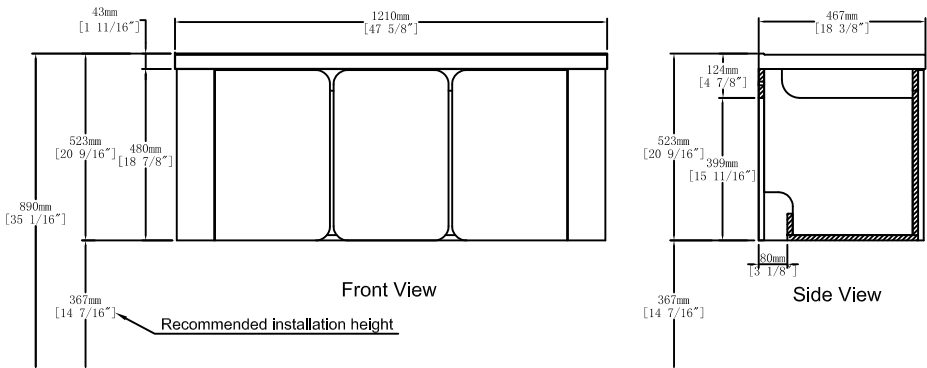
Finished



Dimensions



Top View



Front View

Side View

Floor

CARE CLEANING AND MAINTENANCE

1. Dust regularly with a soft , dry cloth.
2. Avoid the use of all chemicals household cleaners, abrasives, or cleaners that contain lemon, vinegar, or other acids that may damage the finish.
3. Excessive exposure to sunlight and extreme changes in temperature and moisture can damage wood furniture.
4. The sink is fragile, please pay attention to maintaining its appearance.
5. Do not place hot appliances, such as curling irons and hot hair dryers directly on the countertop. Wipe spills immediately.