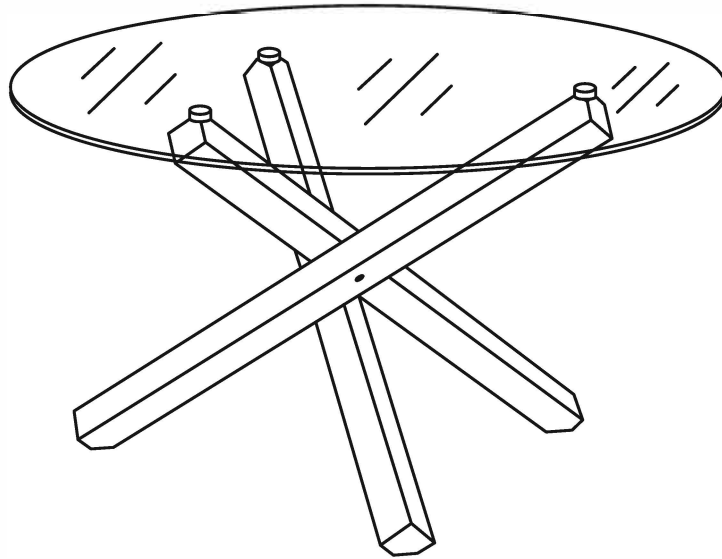
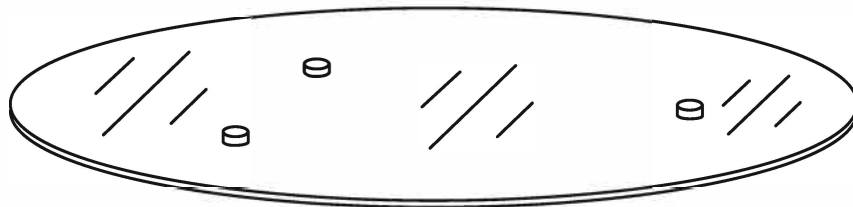


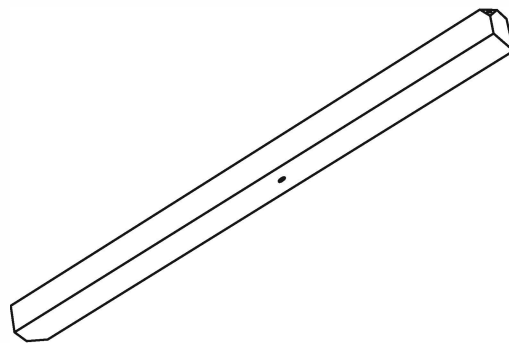
Assembly Instructions



Please check you have all the panels listed below



1 Table top x 1



2 Leg x 3



Safety and Care Advice

Important – Please read these instructions fully before starting assembly

Check you have all the components and tools listed

Remove all fittings from the plastic bags and separate them into their groups.

Keep children and animals away from the work area, small parts could choke if swallowed.

Make sure you have enough space to layout the parts before starting.

Assemble the item as close to its final position (in the same room) as possible.

Assemble on a soft level surface to avoid damaging the unit or your floor.

Do not fully tighten bolts until the chair is assembled.

Do not overtighten the nuts to avoid causing damage to the threads.



We do not recommend the use of power drill/drivers **for inserting screws,**

as this could damage the unit. Only use hand screwdrivers and Allen keys.

Dispose of all packaging carefully and responsibly.

Care and maintenance

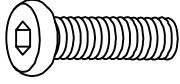
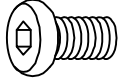





Only clean using a damp cloth and mild detergent, do not use bleach or abrasive cleaners.

From time to time check that there are no loose screws on this unit.

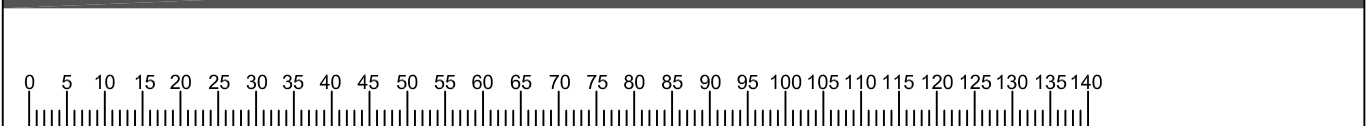
This product should not be discarded with household waste. Take to your local authority waste disposal centre.

Please check you have all the fittings listed below

Note: The quantities below are the correct amount to complete the assembly. In some cases more fittings may be supplied than are required.

<p>A</p>  <p>M8x75mm Allen Screw X3</p>	<p>B</p>  <p>M6x16 Allen Screw X3</p>	<p>C</p>  <p>M6x20mm Table top attachment X3</p>
<p>D</p>  <p>M6x15mm Grub Screw X3</p>	<p>E</p>  <p>M6 mm Allen Key X1</p>	<p>F</p>  <p>M5 mm Allen Key X1</p>
<p>G</p>  <p>M3 mm Allen Key X1</p>		

Ruler - Use this ruler to help correctly identify the screws

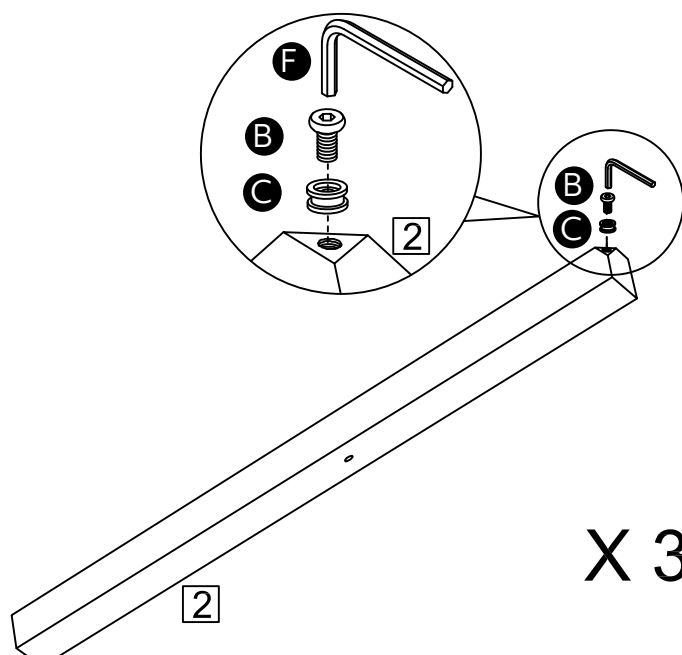


Assembly Instructions

Step 1

Insert **C** into each of the legs **2** using screw **B** .


Tighten using allen key **F**



Step 2

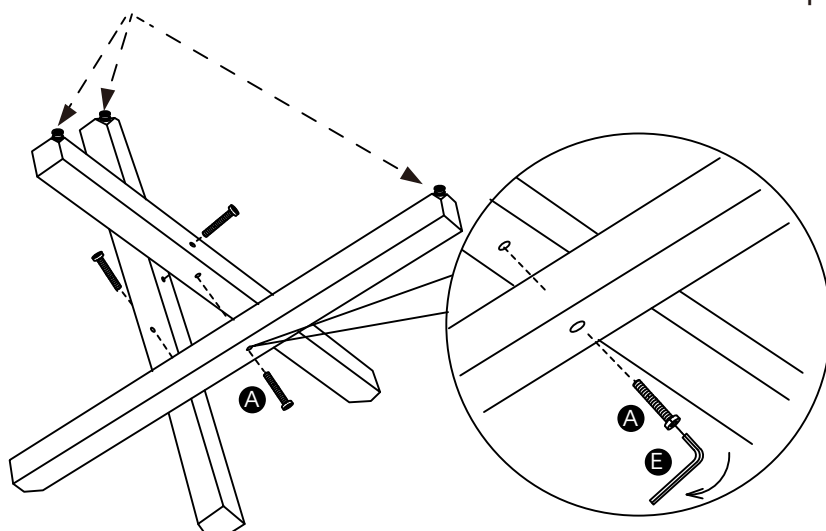
Table Stand Assembly

Start by connecting two legs **2** using screw **A** .

 **Warning:** With help, bring the two legs up and put the third underneath to form a tripod. Secure the third with the remaining screws **A**

Tighten using allen key **E**

Ensure the aluminium discs are all located at the top



Step 3

Stand Attachment

Place The table top **1** upside down onto a clear flat surface.

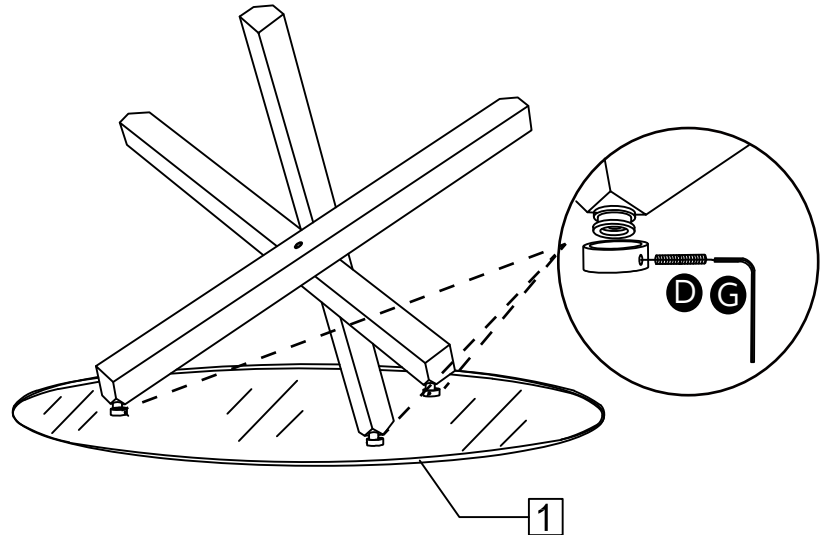
Place the stand onto the glass with the attachments facing down. Pair up the attachments with the glass fixings.

Once in place secure using screws **D**.

Tighten using allen key **G**

WARNING
The table is heavy.
Lift with care.

Two People Required



Step 4

Assembly Completion

Warning: With help, turn the table around to complete assembly.

WARNING
The table is heavy.
Lift with care.

Two People Required

