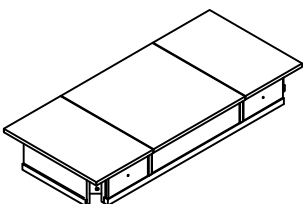



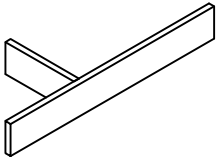
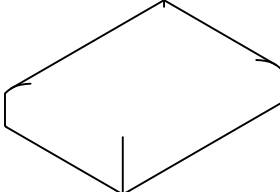


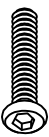


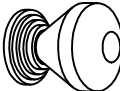



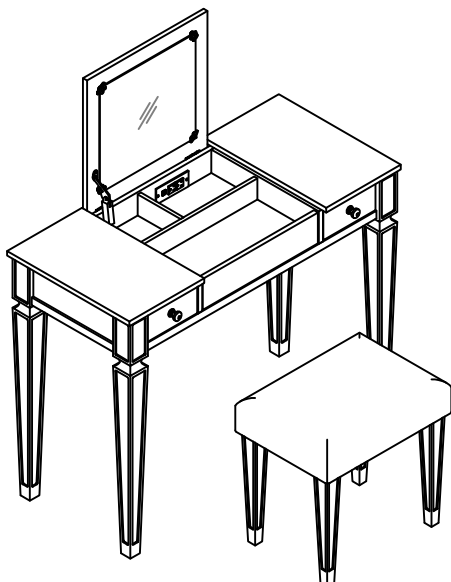


ASSEMBLY INSTRUCTION

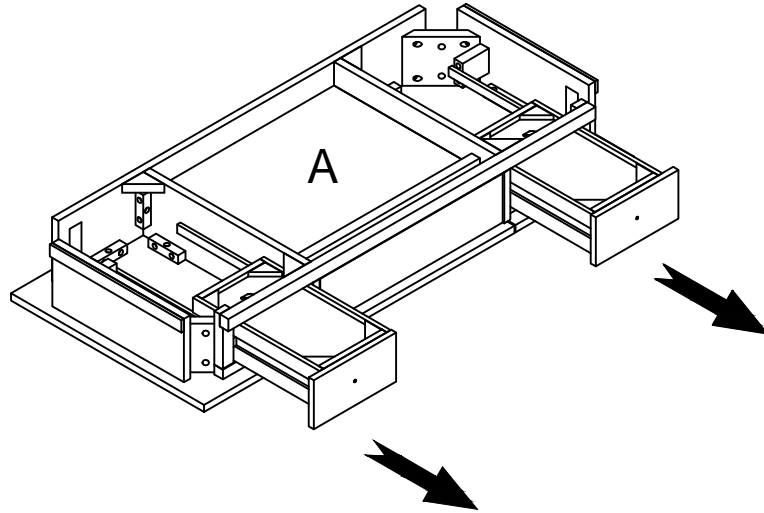
VANITY WITH FLIP MIRROR & POWER STRIP & STOOL

A Vanity Top Frame  1PC	B Front Leg-Vanity  2PCS	C Left Back Leg-Vanity  1PC	D Right Back Leg-Vanity  1PC
E Partition  1PC	F Cushion Seat  1PC	G Leg-Stool  4PCS	H Long Bolt 1/4"x63mm  8PCS
I Short Bolt 1/4"x57mm  8PCS	J Spring Washer 1/4"  16PCS	K Flat Washer 1/4"x19mm  16PCS	L Knob Ø26x31mm  2PCS
M Knob Screw 5/32"x28mm  2PCS	N Allen Wrench 4x59mm  1PC	O Phillips Screwdriver (Not supplied)  1PC	

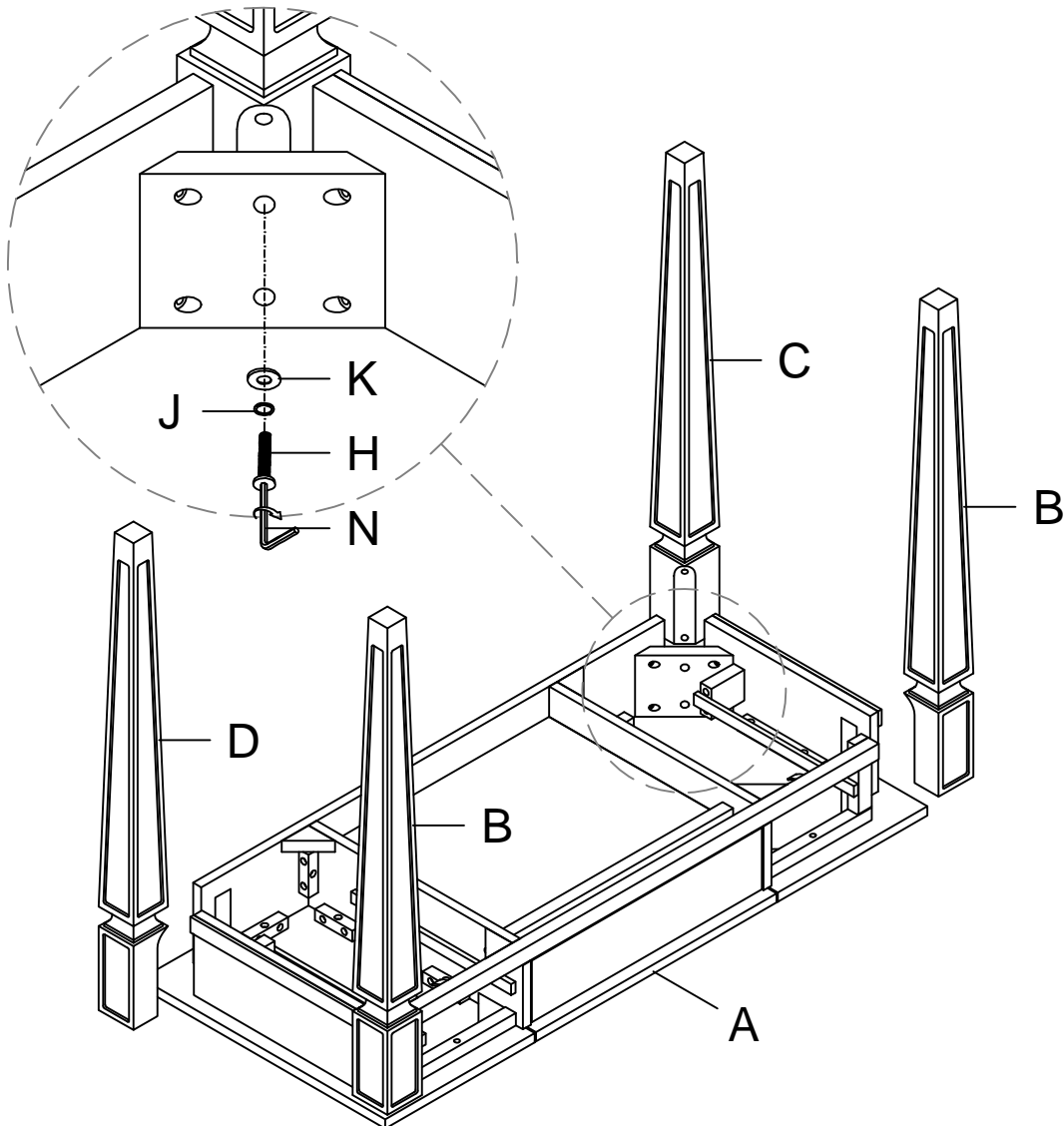


This page lists all the contents included in the box. Please take the time to identify the hardware as well as the individual components to this product. As you unpack and prepare for assembly, place the contents on the carpeted or padded area to protect them from damage.

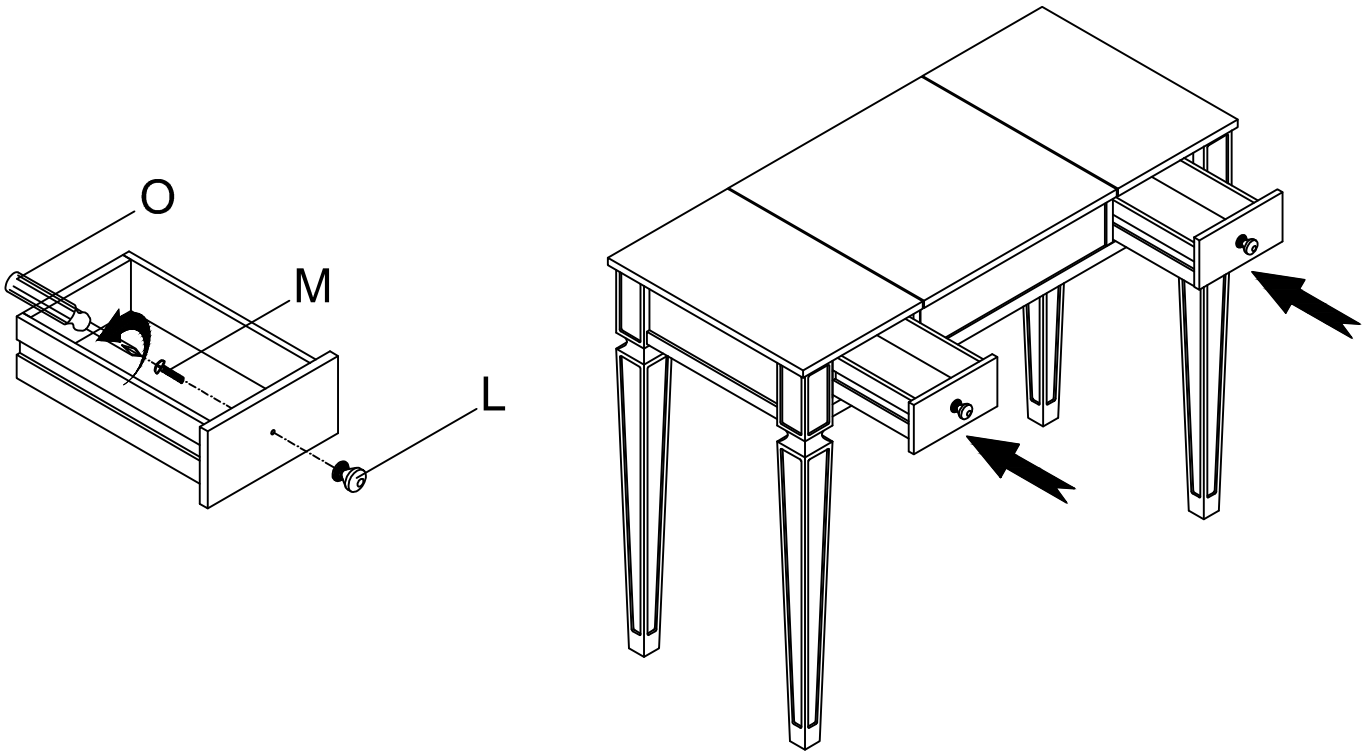
- 1 Lift up the stopper to take drawer out of the box.



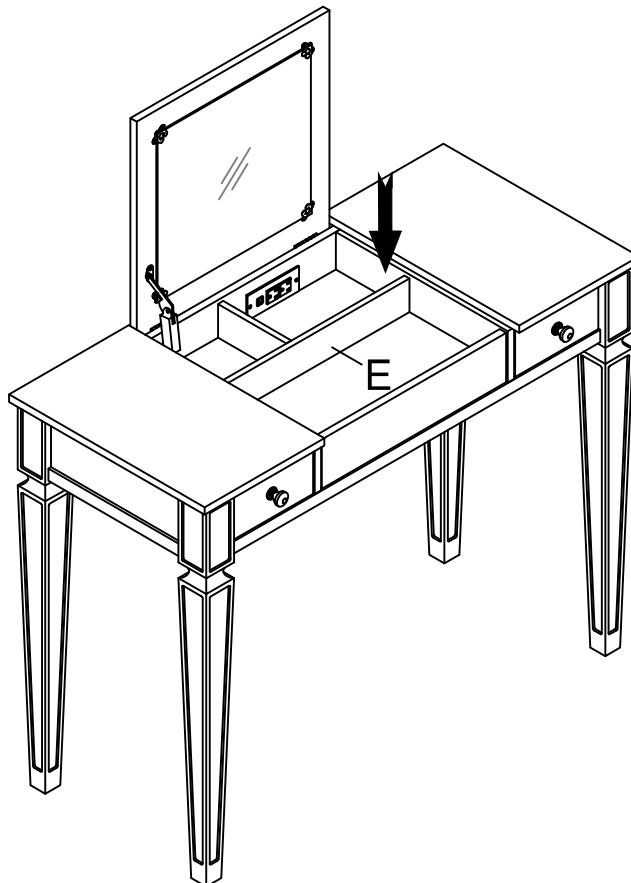
- 2 Place table upside down on a non-abrasive surface such as carpet (underside of top table should be facing up). Attach front & back leg-venity (B & C & D) to vanity top frame (A) using long bolt (H), spring washer (J), flat washer (K). Then tighten all bolts with allen wrench (N).



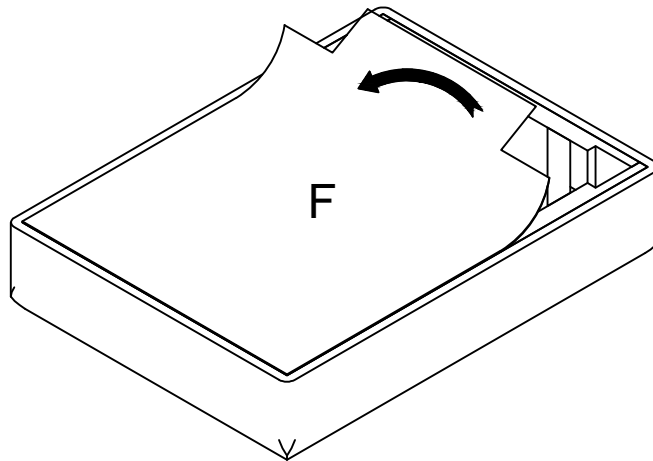
3 Attach the knob (L) to drawer front panels with knob screw (M) by phillips screwdriver (O).



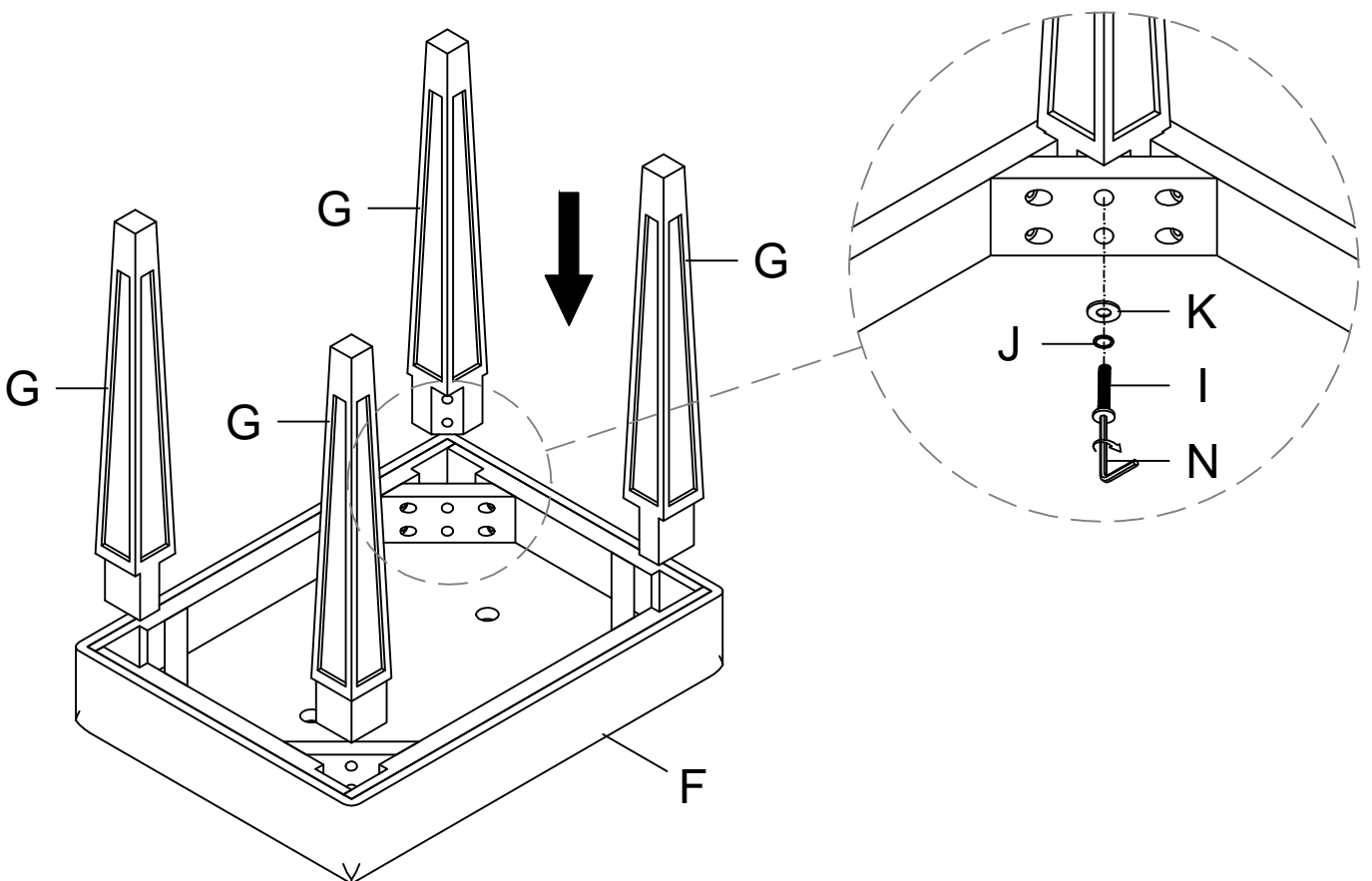
4 Then put the partition (E) down onto the table.



- 5 Place cushion seat (F) upside down on a non-abrasive surface such as carpet (underside of top stool should be facing up).



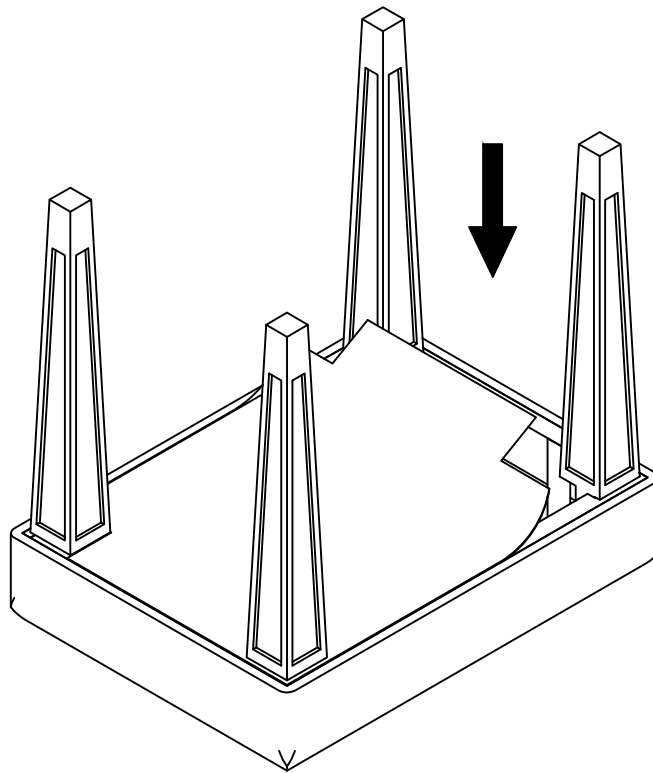
- 6 Attach leg-stool (G) to cushion seat (F) using short bolt (I), spring washer (J), flat washer (K). Then tighten all bolts with allen wrench (N).



Take the Allen Wrench, and turn the bolts until the legs are secure. **DO NOT TIGHTEN COMPLETELY.** Stop when you feel you are adding force to tighten the bolt.

-
- 7** Place the cushion seat Cover back underneath the chair seat (as shown in picture) from where it was removed from originally. Smooth down with your hand on the velcro tapes on all 4 sides at the edge of the seat box. Turn the chair upside down, it is now ready for use.

Stand stool up on an even surface and check that it is balanced. If there is a slight wobble, apply downward pressure in the corner where a leg is uneven. Keeping pressure in that corner, tighten all bolts. If balanced, apply downward pressure evenly in the center and tighten all bolts. Do not over-tighten beyond hole depth.



Helpful Tip:
Instead of applying downward pressure while reaching under to tighten bolts, have someone sit in the stool while you tighten the bolts.

Cleaning & Care

Treat surface with care. Surface is resistant to scratches but is not scratch resistant. Clean surfaces with a dry or damp soft cloth. Do not use abrasive cleaners. Hardware may loosen over time. Periodically check that all connections are tight.