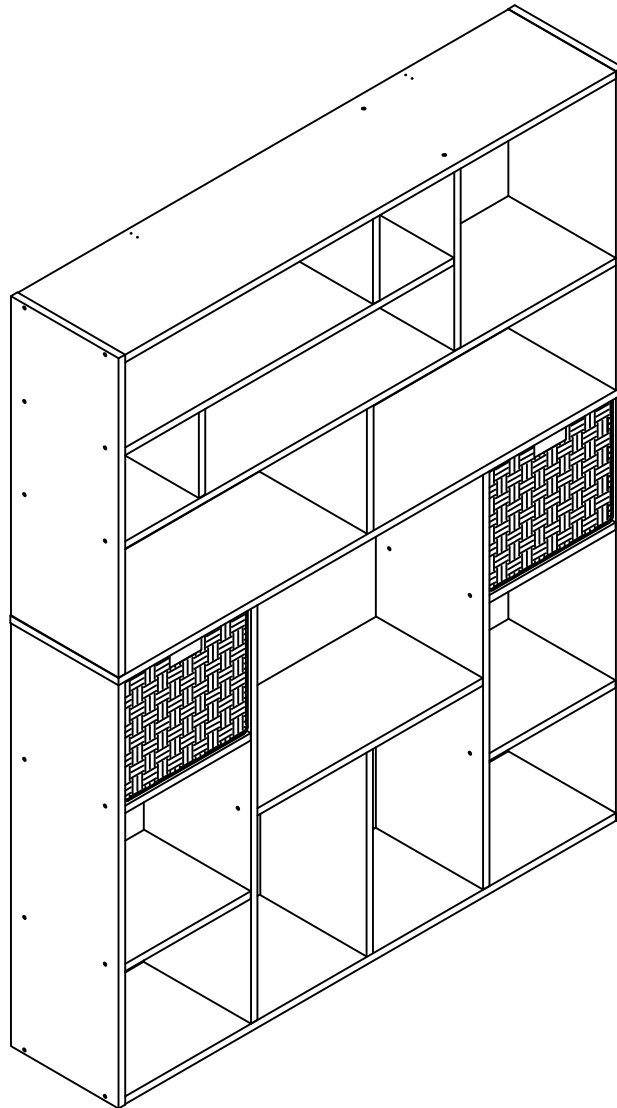


Assembling Instruction

Generating Drawings

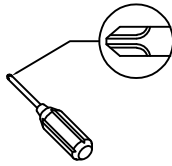


We are concerned about each customer's experience, so if there is any loss or damage, feel free to contact us and provide the name of the missing or damaged parts regarding to the P.3 page of the instructions at any time please. We will send replacement to you asap.

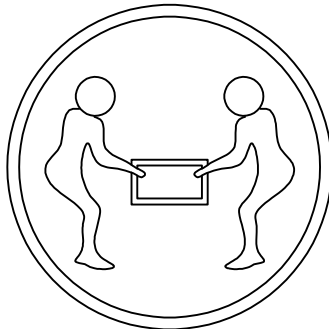
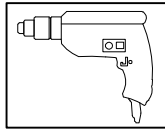


General Assembly Guidelines

- I. Ensure that all parts and hardware are available before beginning assembly.
- II. Follow each step carefully to ensure the proper assembly of this product.
- III. Two people are recommended for ease in the assembly of this product.
- IV. The three main types of hardware used to assemble this product are : wood dowels , screws and bolts.
- VI. A Phillips head screwdriver is required for the assembly of this product .

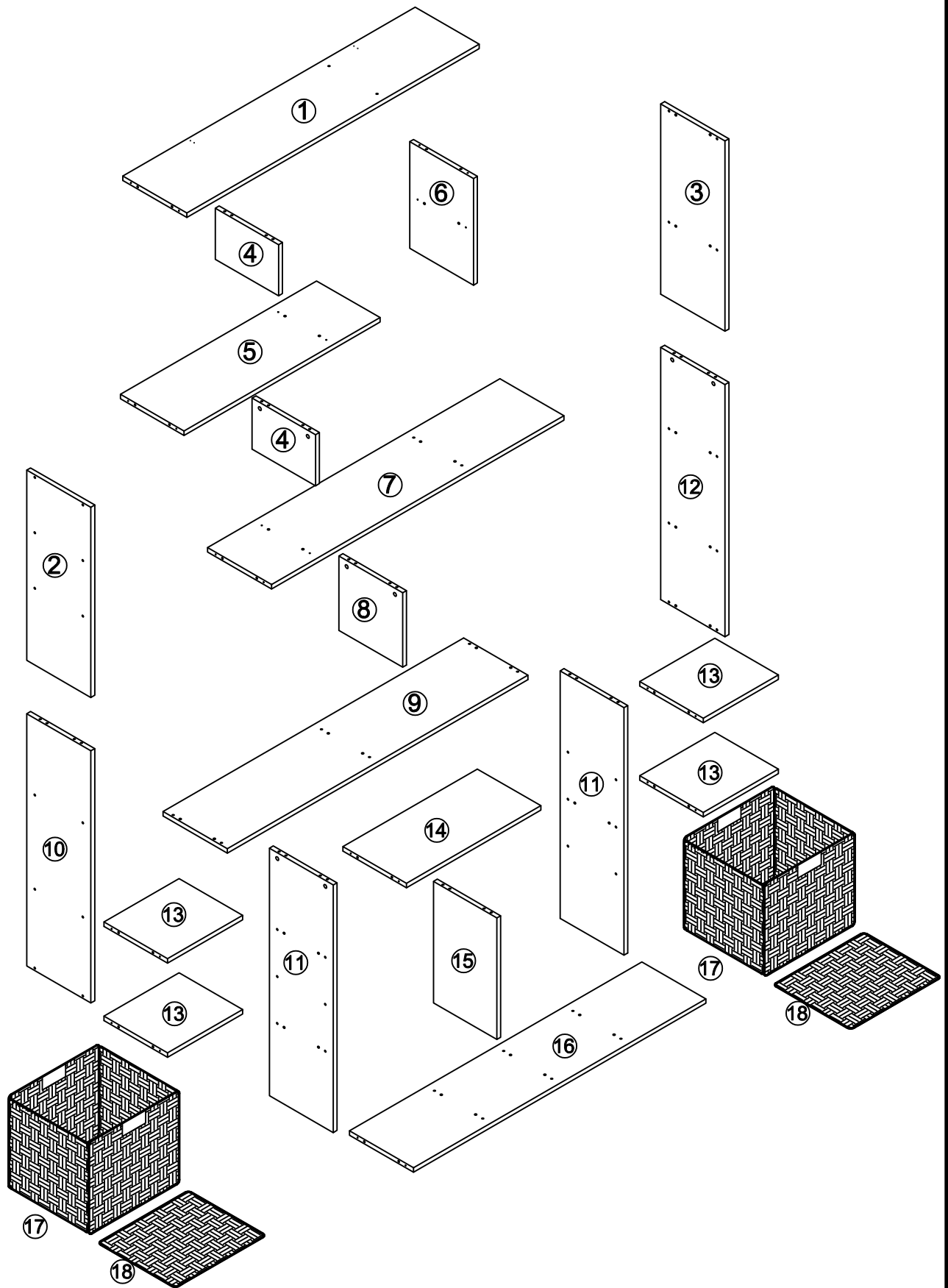


- VII. Power drill could be used to assemble this product if you have one.

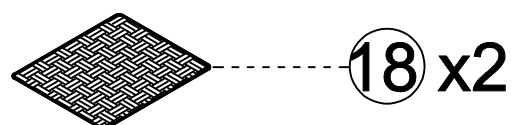
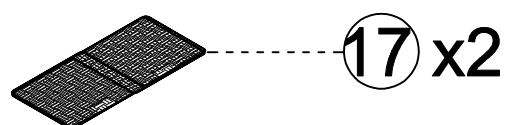
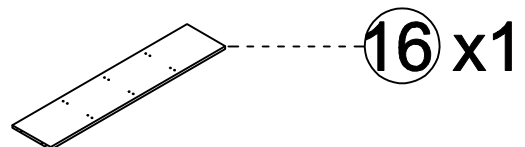
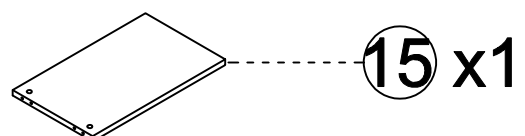
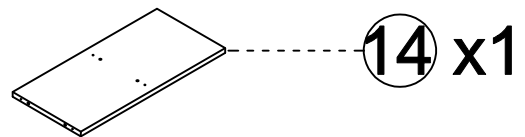
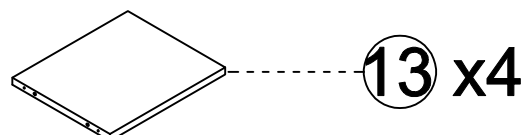
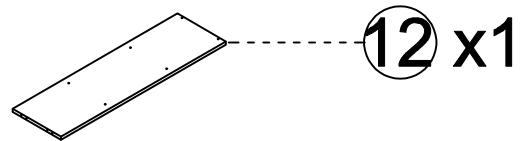
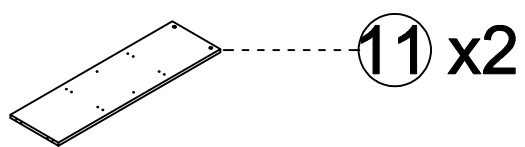
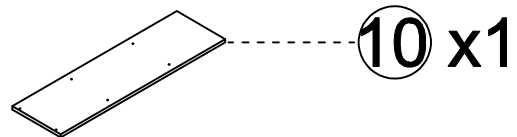
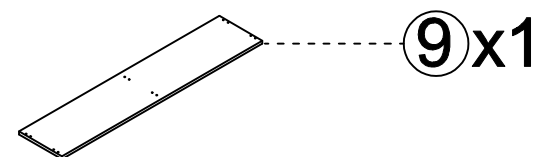
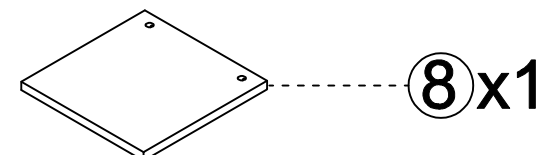
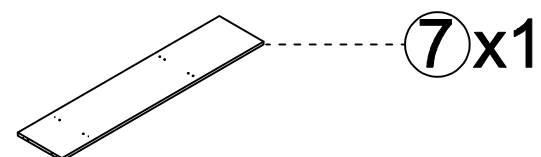
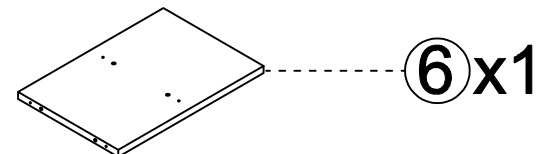
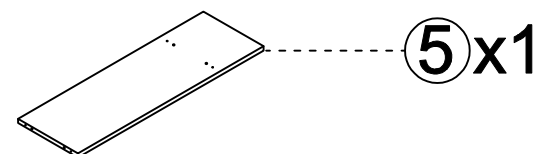
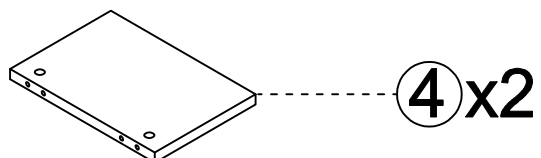
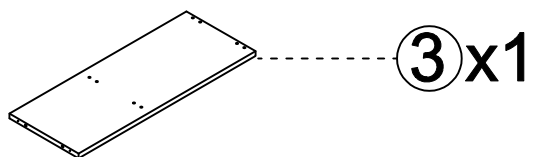
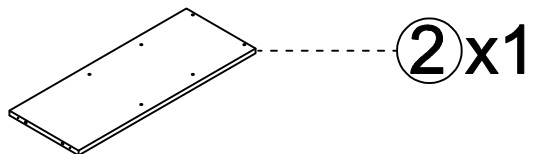
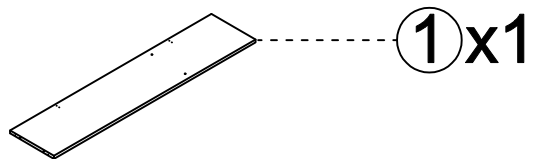


We recommend that two people install this bookshelf.

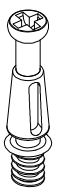
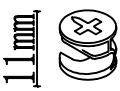





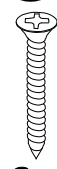
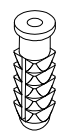



Parts List

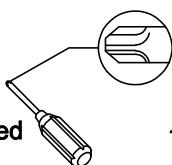


Componets (A)



HARDWARE PACK CONTENT

 <p>A Ø6x32mm 22+2</p>	 <p>B Ø15x1.1mm 22+2</p>	 <p>C Ø6x50mm 50+3</p>	 <p>D 1x</p>	 <p>E Ø8x30mm 72+3</p>	 <p>F 2x</p>	 <p>G Ø4x15mm 14+1</p>
 <p>H Ø4x35mm 2x</p>	 <p>I 2x</p>	 <p>J 20x20x3mm 8x</p>	 <p>K Ø30mm 22+2</p>	 <p>L 2x</p>		



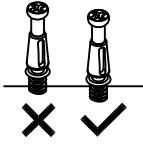
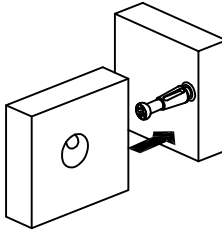
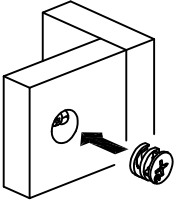
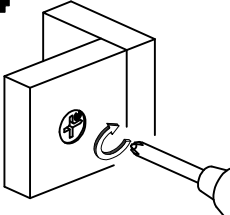
not included

We have included an L-shaped screwdriver in the packaging for the installation of the bookcase. If you have a Phillips screwdriver at home, it will make the installation easier.

The hardware quantities listed above are required for proper assembly. Some extra hardware may also have been included.

CAM LOCK/BOLT FASTENING INTRODUCTION

(You will use it during assembly)

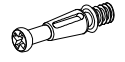
1 	2 	3 	4 
1. Screw cam bolt into the threaded anchor gently. (Attention:don't screw cam bolt too deep or too shallow.)	2. Please connect the 2 boards you want connect by inserting cam bolt.	3. Insert the cam lock into the round hole of the board. (Attention:point the arrow on the top of the cam lock to the outer edge.)	4. Turn the cam lock clockwise until it is firmly tightened.

Please use [A] cam bolts and [B] cam locks as shown in the illustrations.

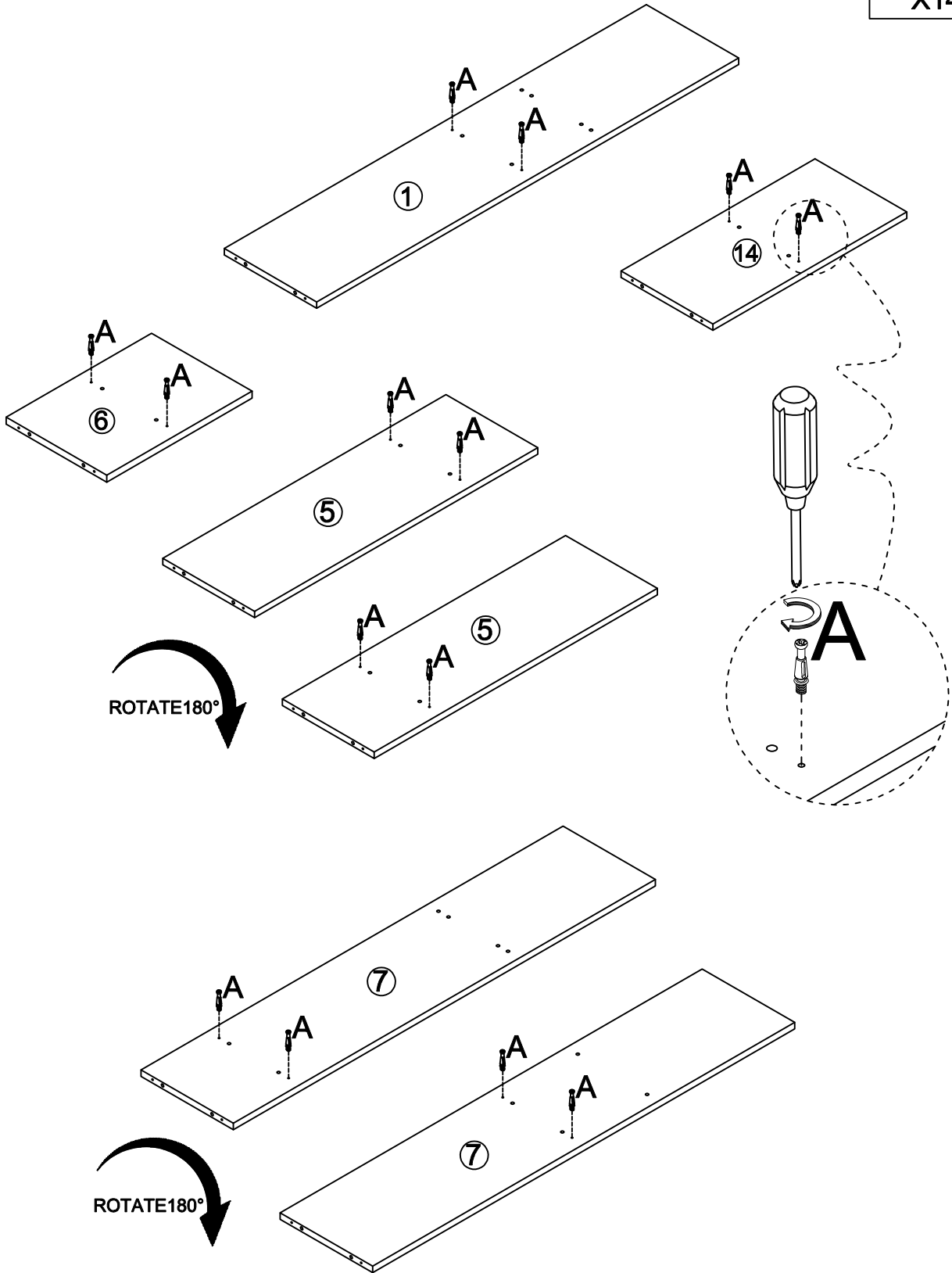
Step 1

-Install A on panel ①, ⑤, ⑥, ⑦ and ⑭ as shown

A





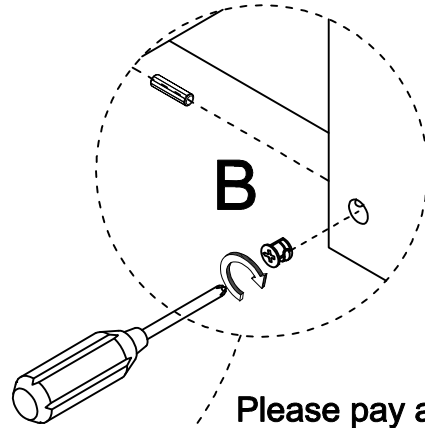
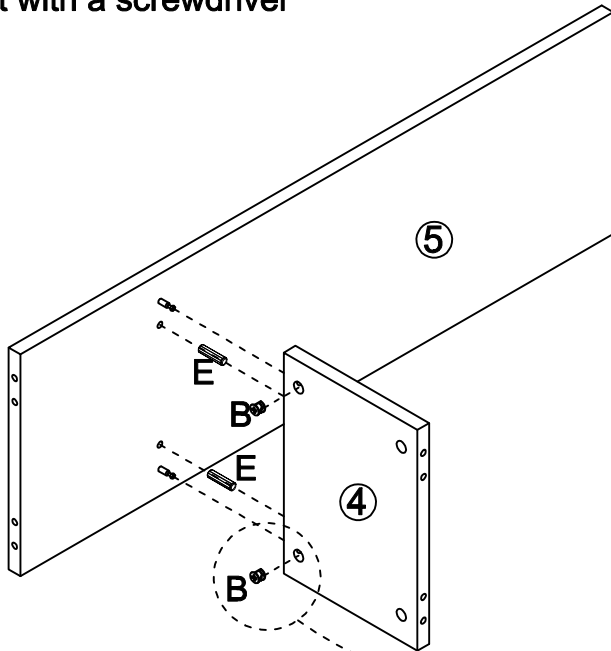
X14



Step 2

- Install dowels Ex2 on panel ⑤
- Connect ④ to ⑤ with Bx2 as shown, then tighten it with a screwdriver



B	E
	
X2	X2

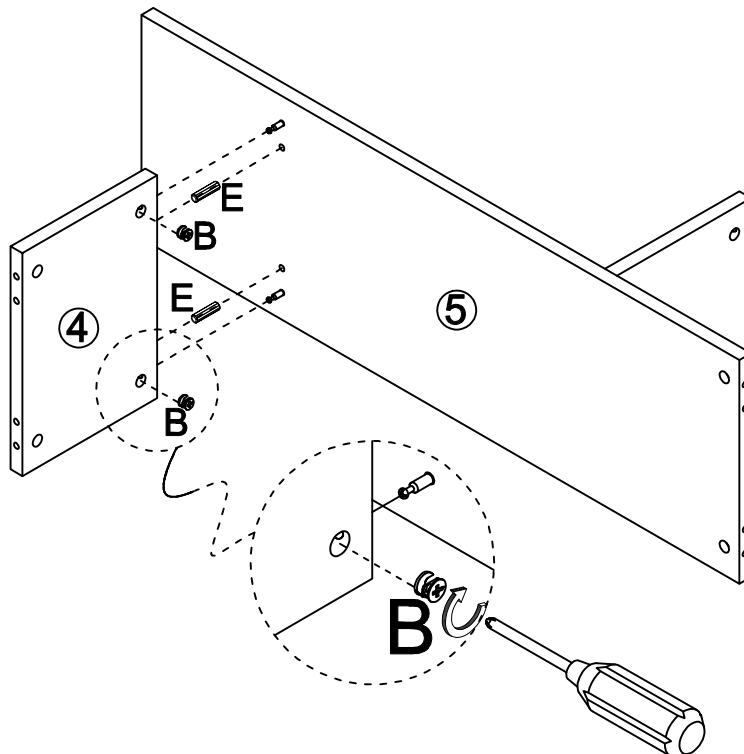


Please pay attention to the direction of the holes on both panels to ensure that they are assembled correctly.

Step 3



- Install dowels Ex2 on panel ⑤
- Connect ④ to ⑤ with Bx2 as shown, then tighten it with a screwdriver

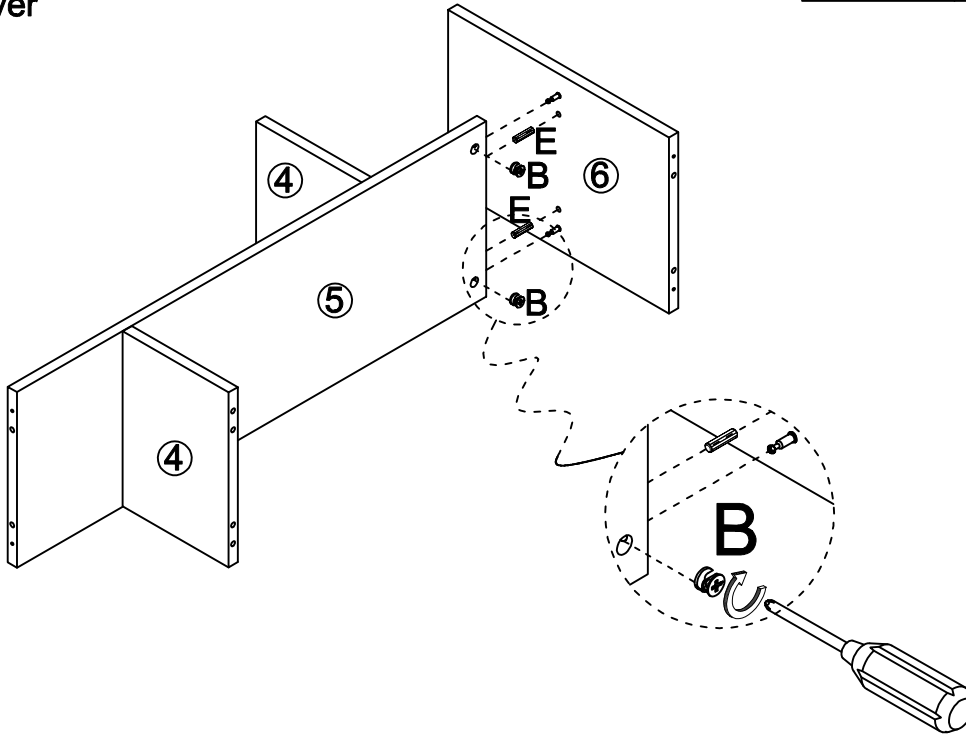
B	E
	
X2	X2



Step 4



- Install dowels Ex2 on panel ⑥
- Connect ⑥ to ⑤ with Bx2 as shown, then tighten it with a screwdriver

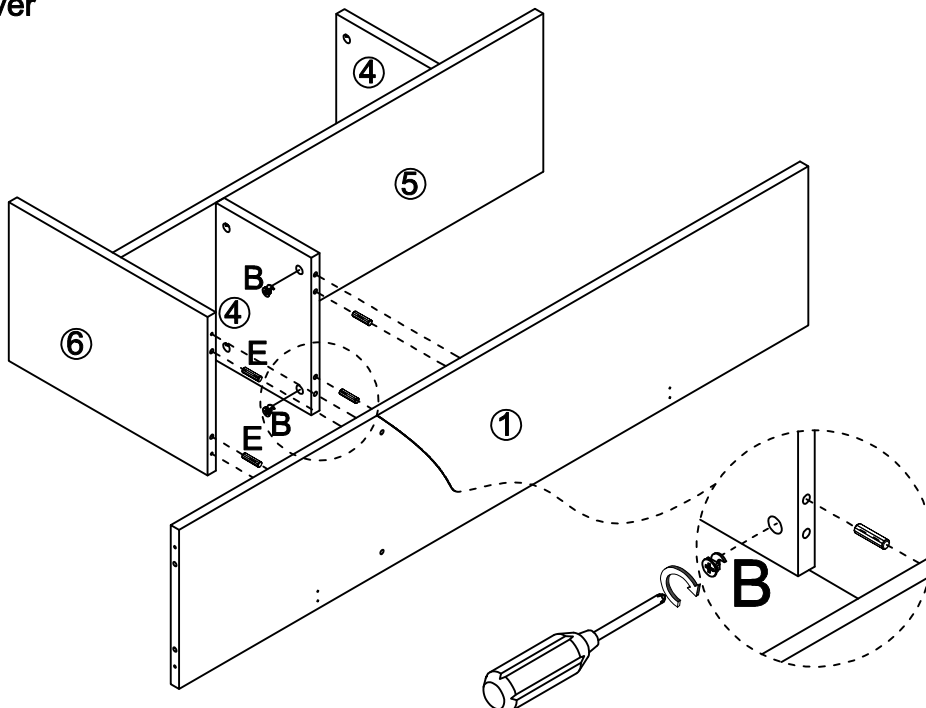
B	E
	
X2	X2



Step 5


- Adjust the panel combination part direction as shown
- Then install dowels Ex4 on the panel ④ and panel ⑥
- Connect ① to ④ with Bx2 as shown, then tighten it with a screwdriver

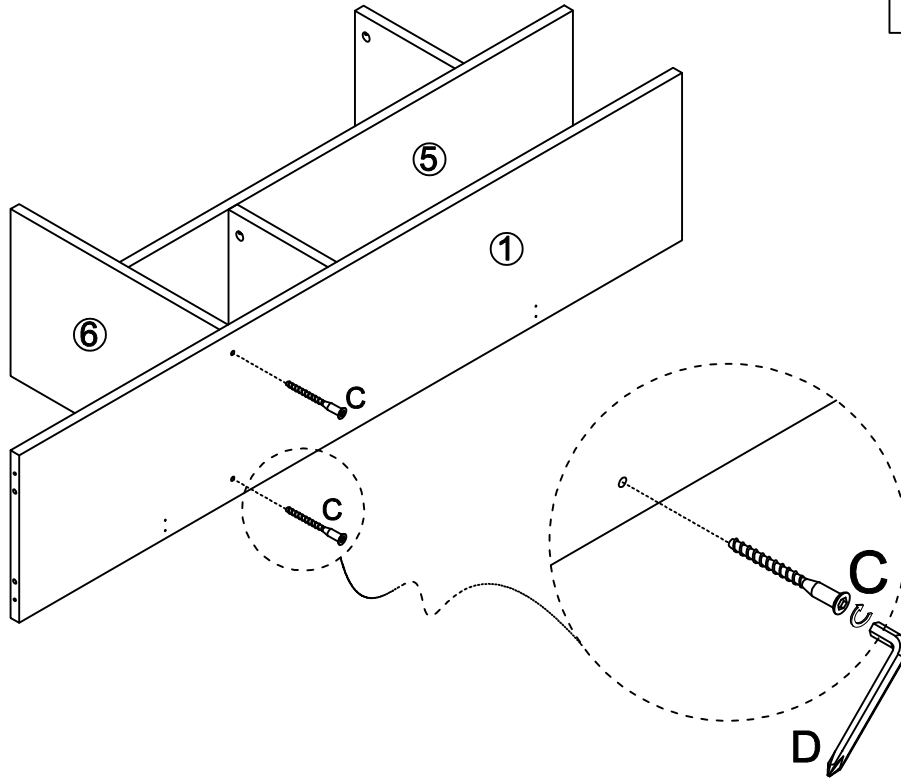
B	E
	
X2	X4



Step 6



-Use Cx2 to connect panel ① and panel ⑥ as shown

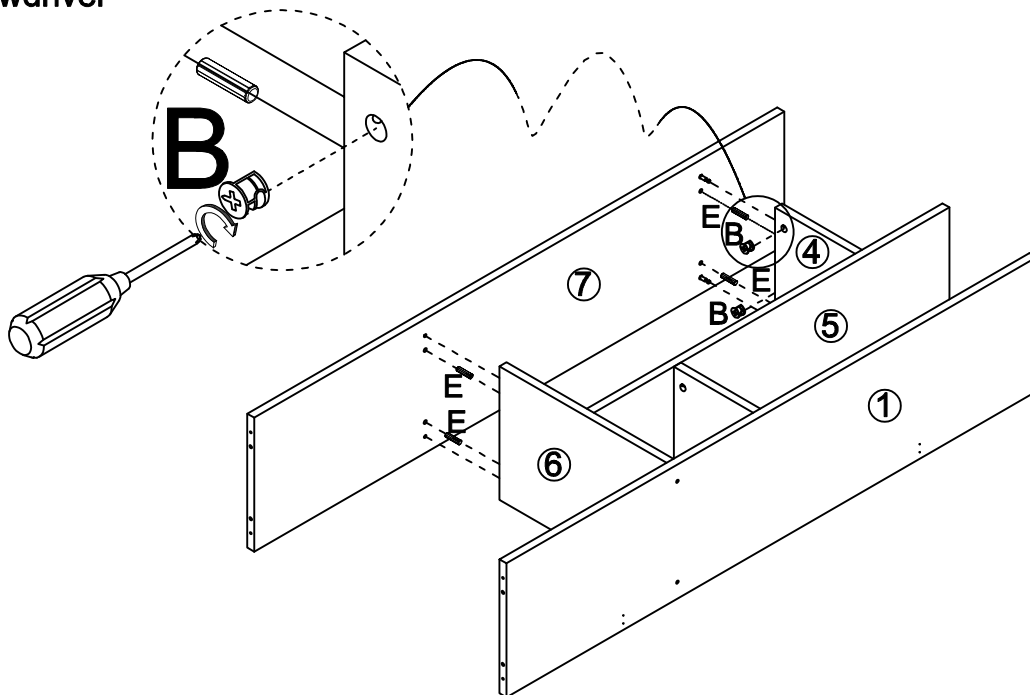
C

X2



Step 7

-Install dowels Ex4 on the panel ④ and panel ⑥ as shown
 -Connect ⑦ to ④ with Bx2 as shown, then tighten it with a screwdriver

B	E
	
X2	X4



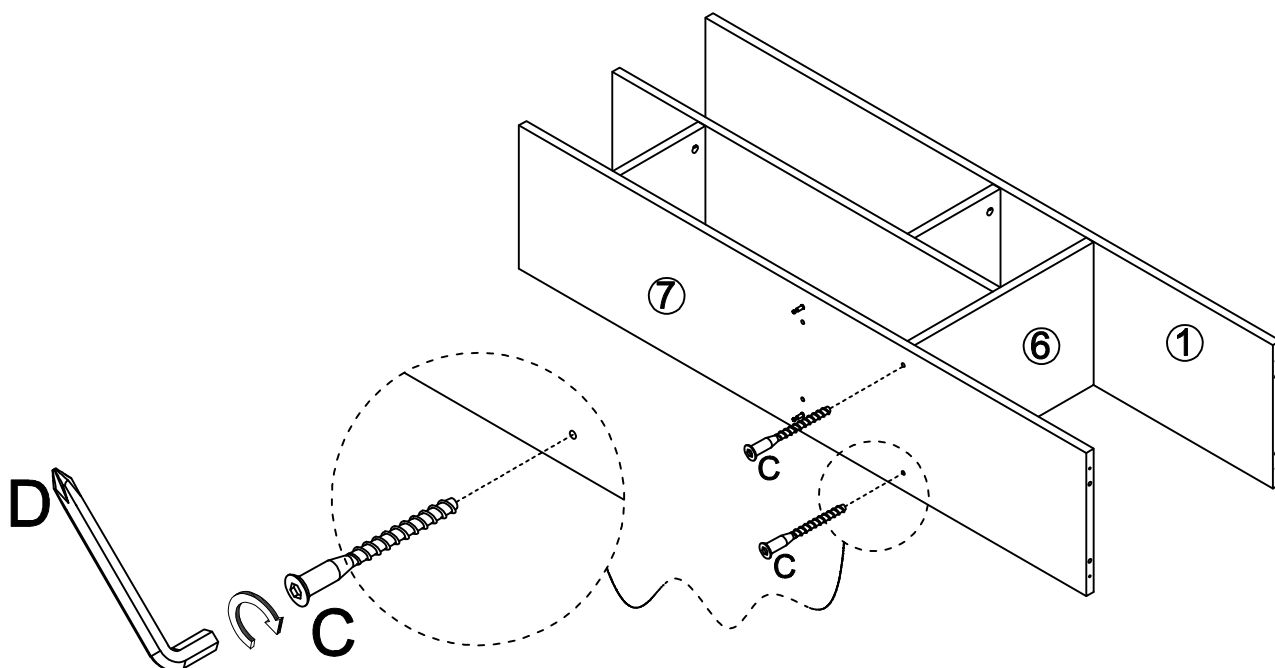
Step 8

-Use Cx2 to connect panel ⑦ and panel ⑥ as shown

C



X2



Step 9

- Adjust the panel combination part direction as shown
- Install dowels Ex2 on the panel ⑦ as shown
- Connect ⑧ to ⑦ with Bx2 as shown, then tighten it with a screwdriver

B

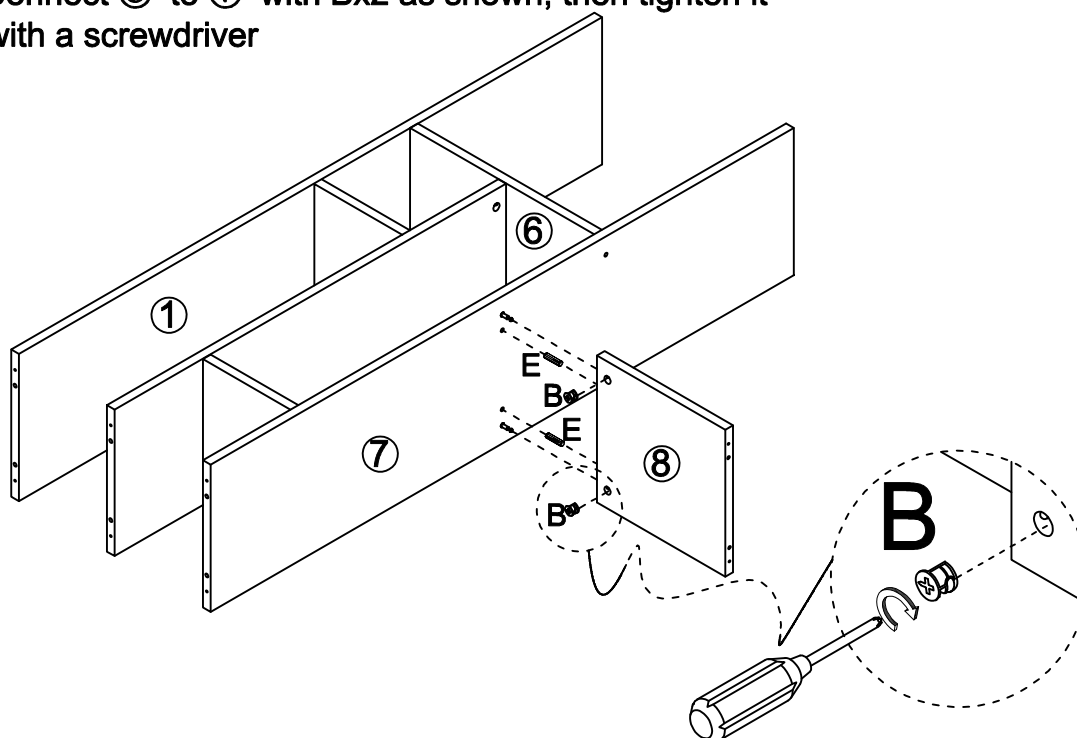


X2

E





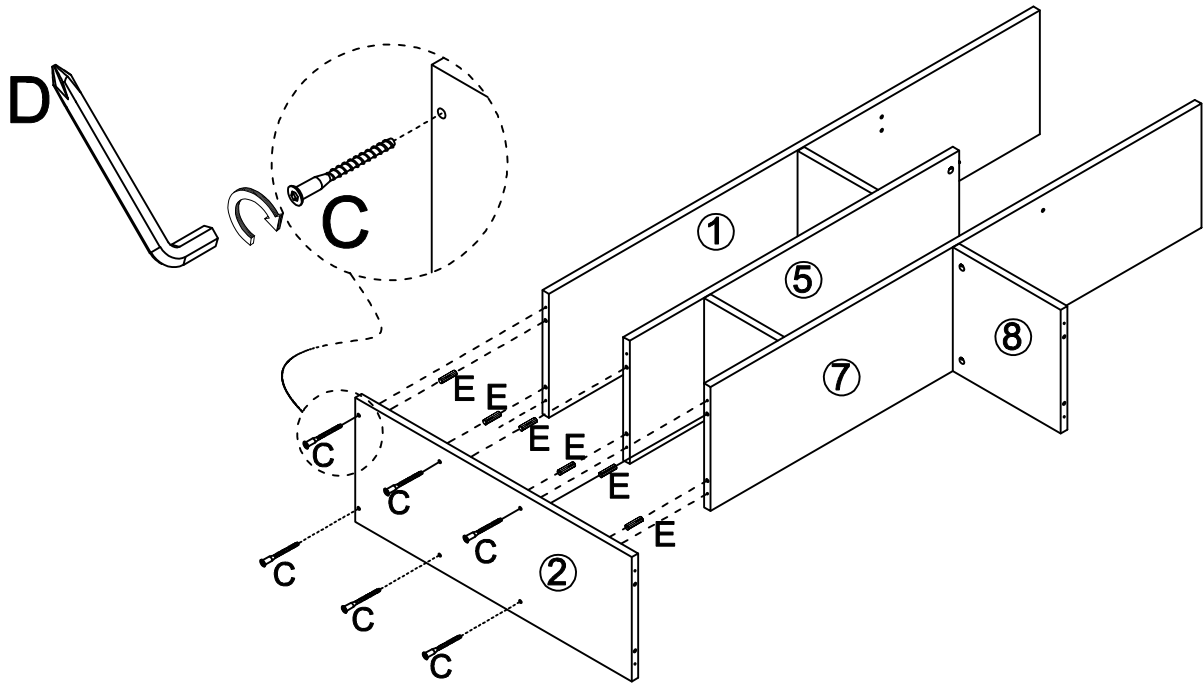
X2



Step 10



- Install dowels Ex6 on the panel ①, ⑤ and ⑦ as shown
- Use Cx6 to connect panel ② and panel ①, ⑤ and ⑦ as shown

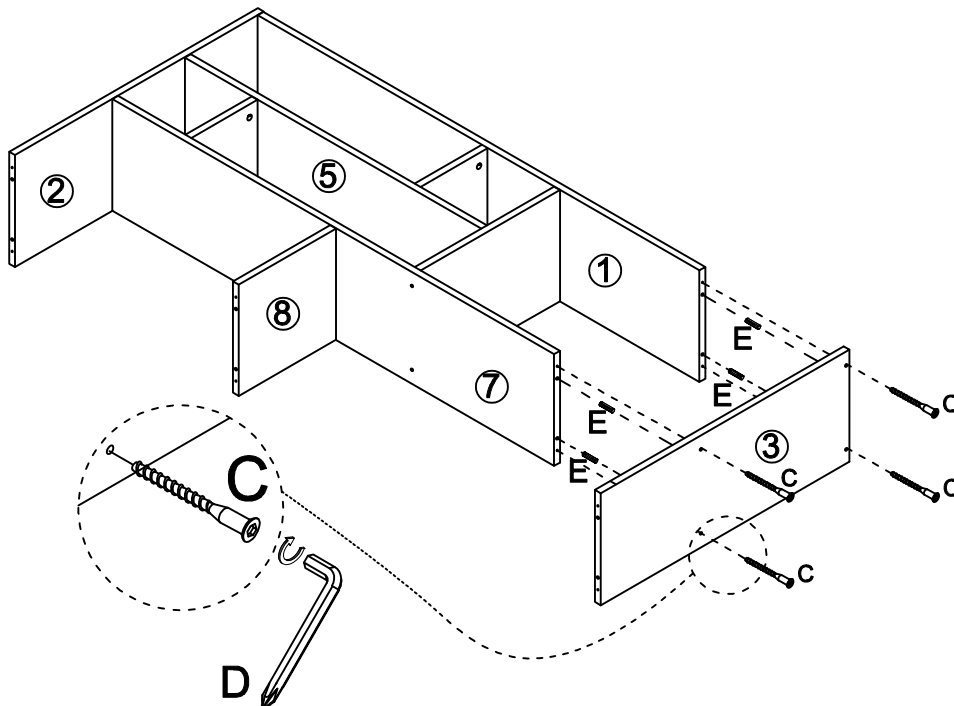
E	C
	
X6	X6



Step 11



- Adjust the panel combination part direction as shown
- Install dowels Ex4 on the panel ① and ⑦ as shown
- Use Cx4 to connect panel ③ with panel ① and ⑦ as shown

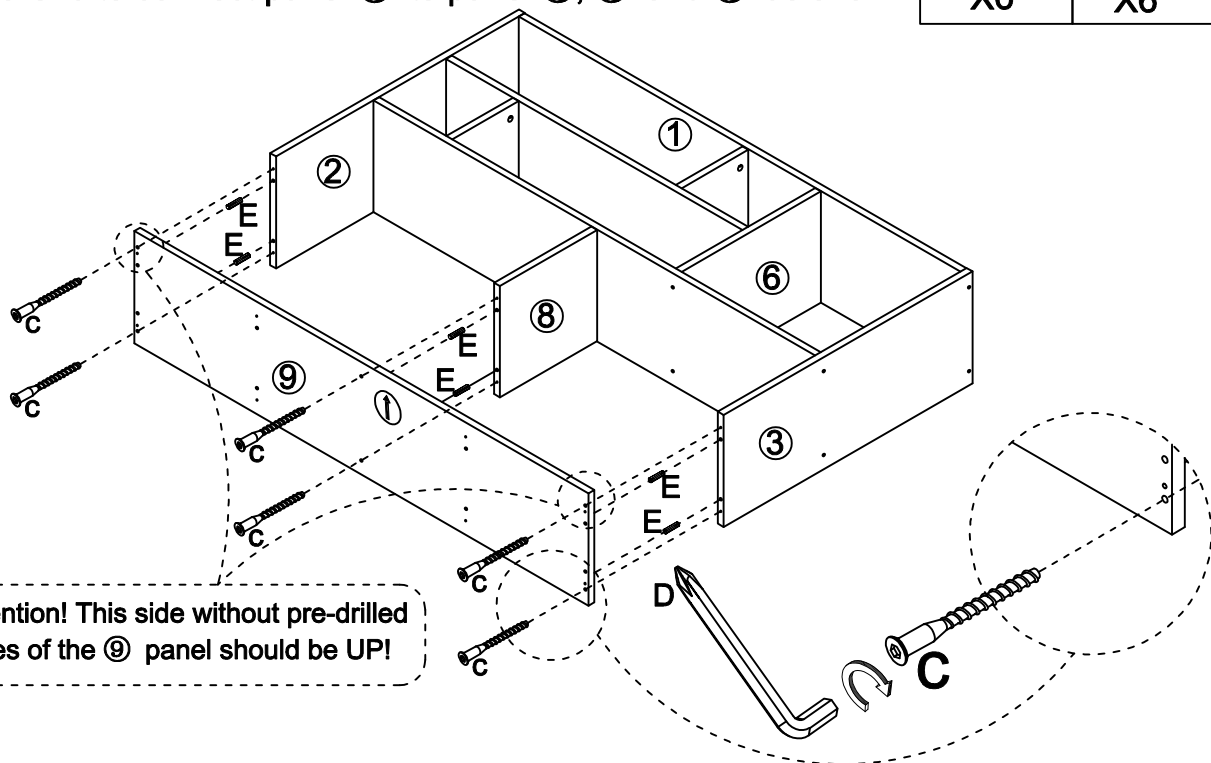
E	C
	
X4	X4



Step 12

- Install dowels Ex6 on the panel ②, ⑧ and ③ as shown
- Use Cx6 to connect panel ⑨ to panel ②, ⑧ and ③ as shown


E	C
	
X6	X6

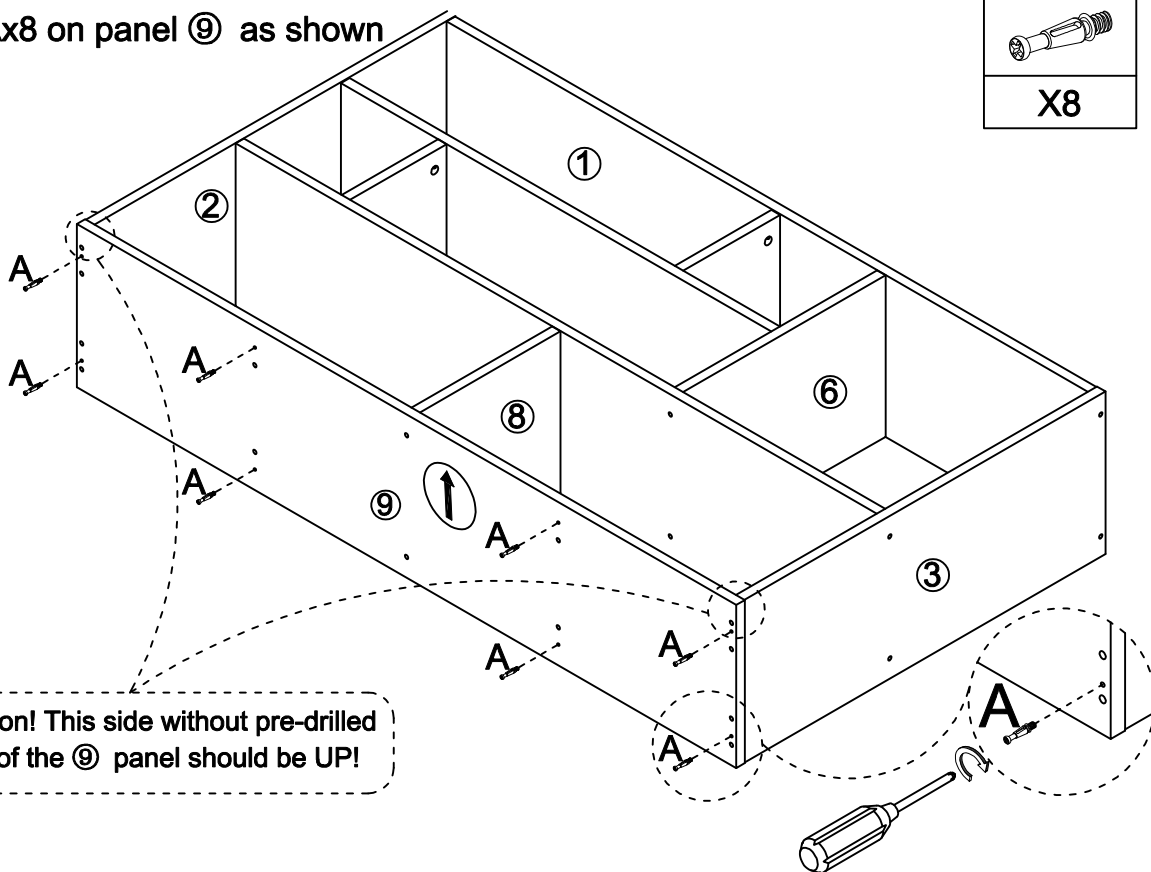


Attention! This side without pre-drilled holes of the ⑨ panel should be UP!

Step 13

- Install Ax8 on panel ⑨ as shown



A

X8

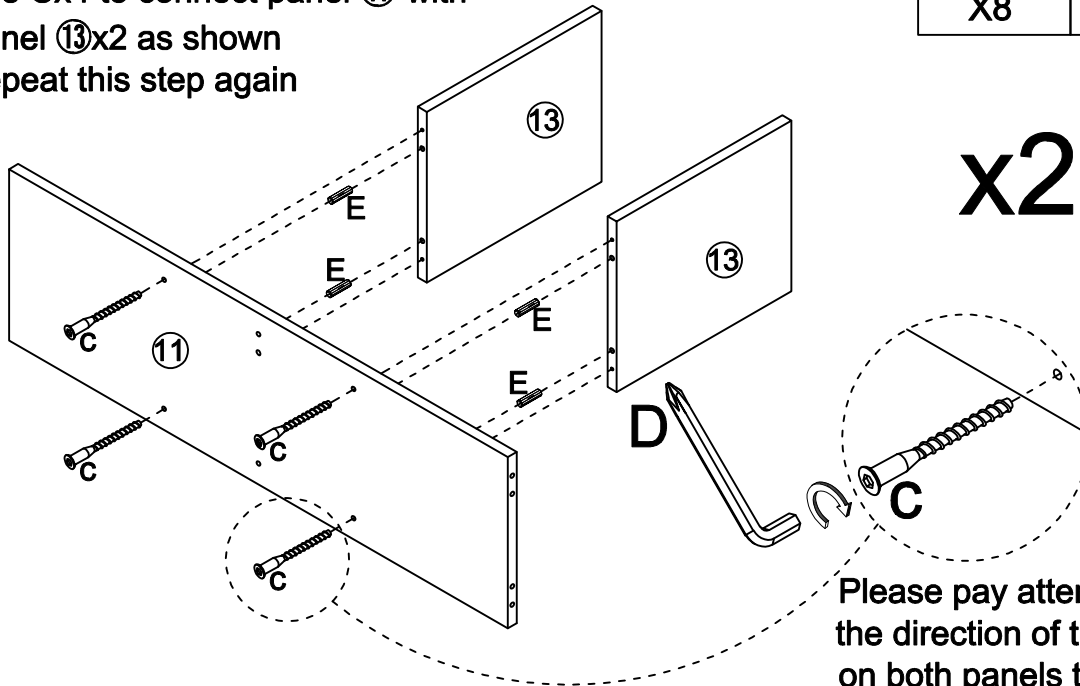


Attention! This side without pre-drilled holes of the ⑨ panel should be UP!

Step 14

- Install dowels Ex4 on the panel ⑬x2 as shown
- Use Cx4 to connect panel ⑪ with panel ⑬x2 as shown
- Repeat this step again



E	C
	
X8	X8

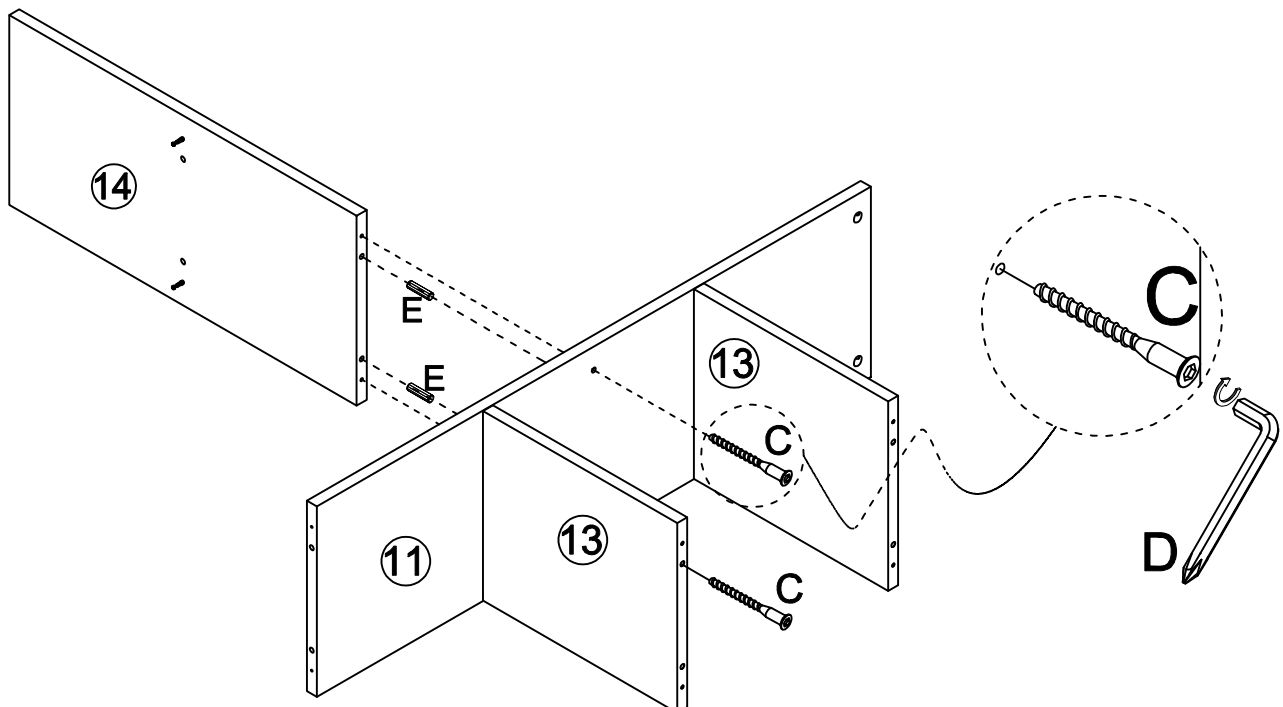


Please pay attention to the direction of the holes on both panels to ensure that they are assembled correctly.

Step 15



- Adjust the panel combination part direction as shown
- Install dowels Ex2 on the panel ⑭ as shown
- Use Cx2 to connect panel ⑭ and panel ⑪ as shown

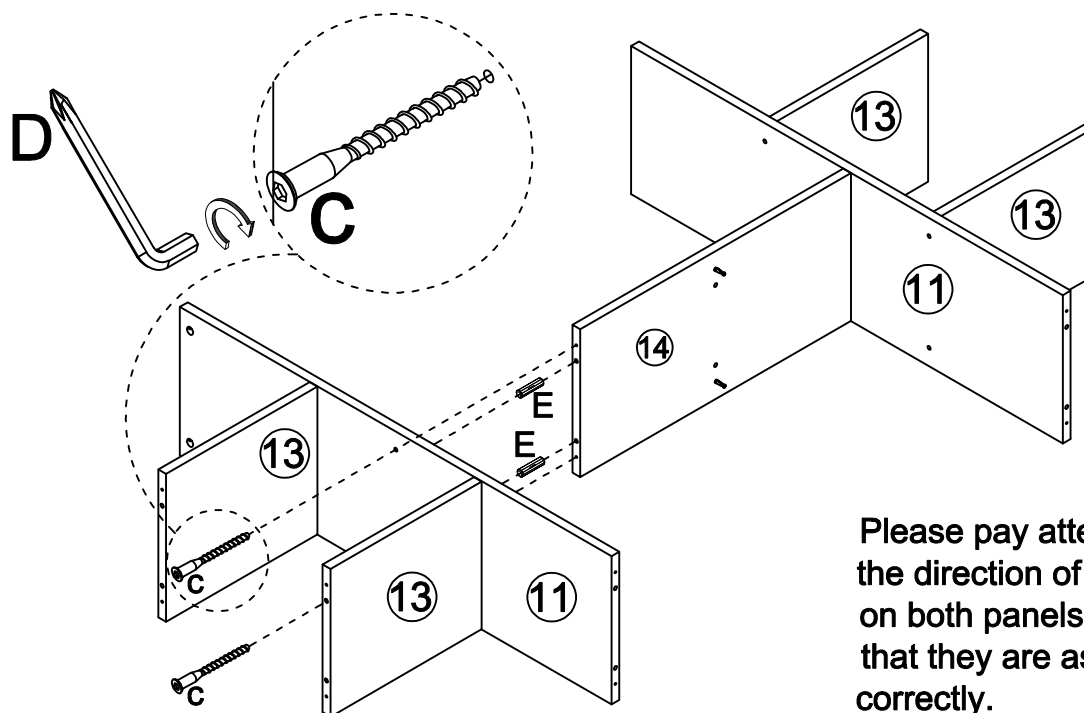
E	C
	
X2	X2



Step 16

- Install dowels Ex2 on the panel ⑭ as shown
- Use Cx2 to connect panel ⑭ and panel ⑪ as shown



E	C
	
X2	X2

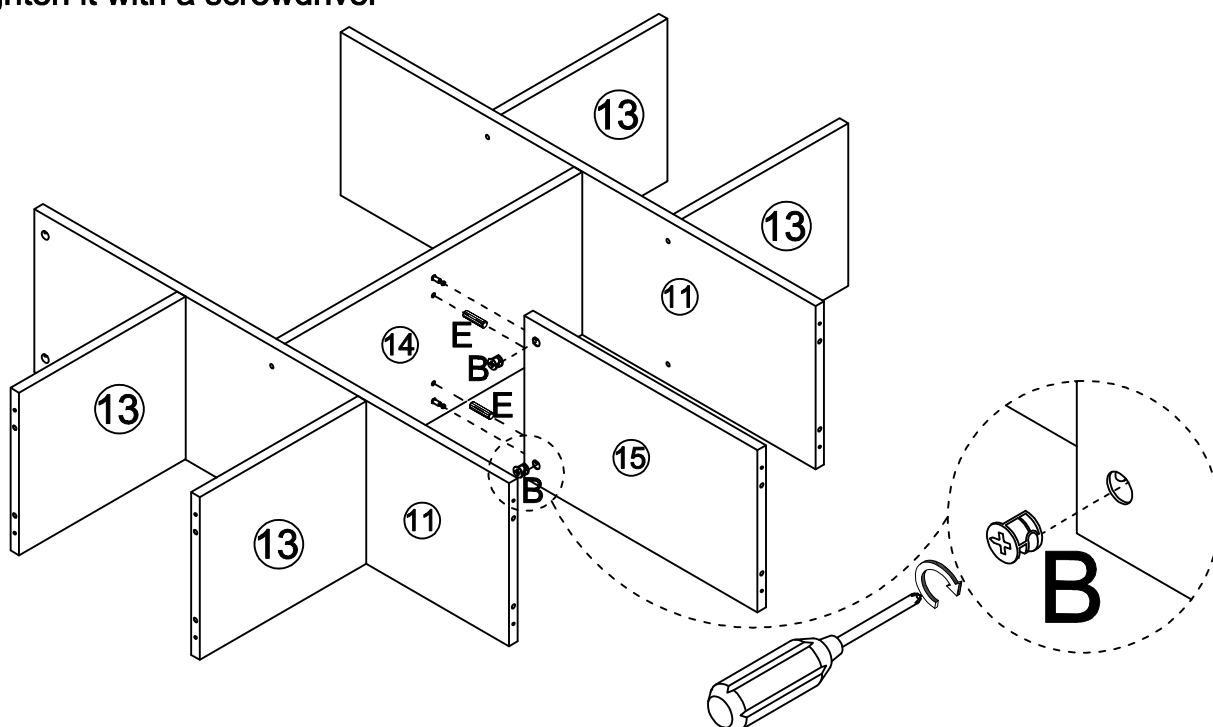


Please pay attention to the direction of the holes on both panels to ensure that they are assembled correctly.

Step 17



- Install dowels Ex2 on the panel ⑭ as shown
- Use Bx2 to connect panel ⑮ and panel ⑭ as shown, then tighten it with a screwdriver

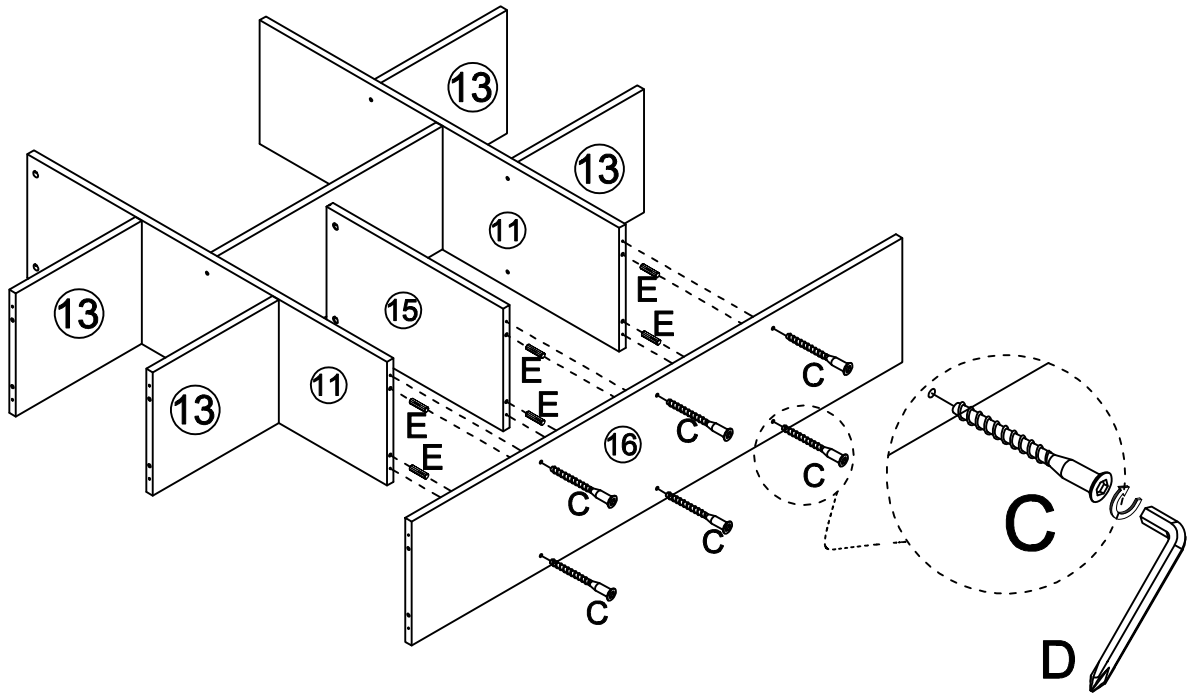
B	E
	
X2	X2



Step 18



- Install dowels Ex6 on the panel ⑪, ⑮ and ⑰ as shown
- Use Cx6 to connect panel ⑰ and panel ⑪, ⑮ & ⑰ as shown

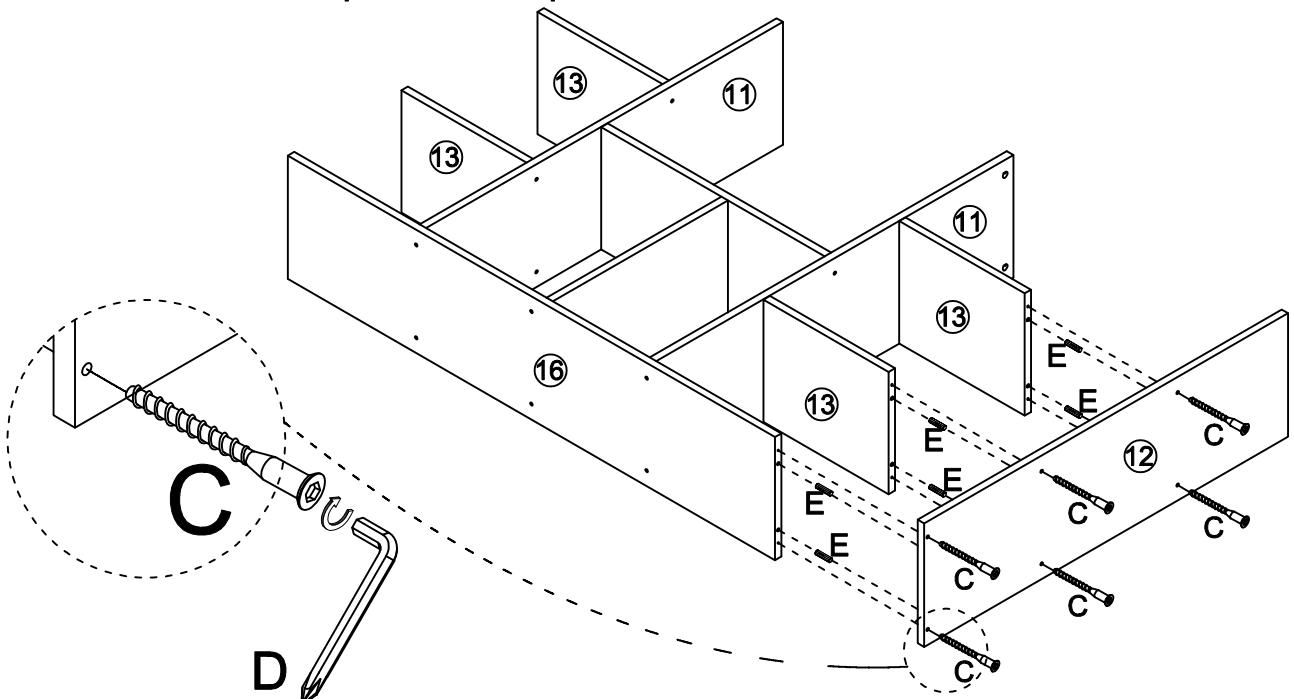
E	C
	
X6	X6



Step 19



- Adjust the panel combination part direction as shown
- Install dowels Ex6 on the panel ⑰ & ⑮ x2 as shown
- Use Cx6 to connect panel ⑱ and panel ⑰ & ⑮ x2 as shown

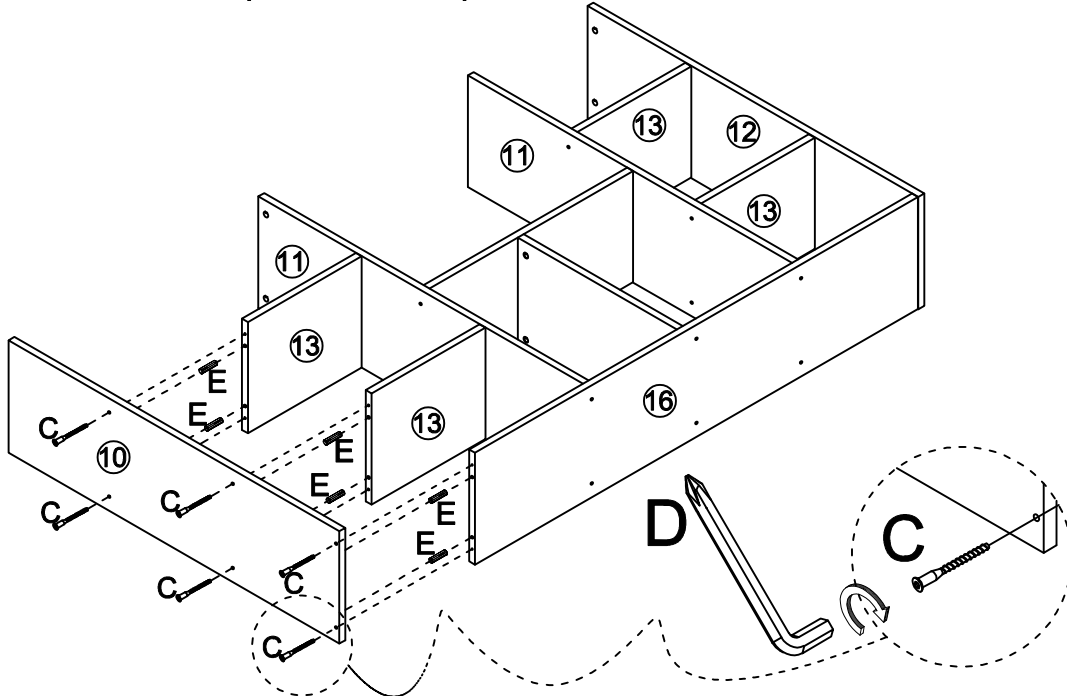
E	C
	
X6	X6



Step 20



- Adjust the panel combination part direction as shown or go to another side of the panel combination part
- Install dowels Ex6 on the panel ⑩ & ⑬x2 as shown
- Use Cx6 to connect panel ⑩ and panel ⑬ & ⑬x2 as shown

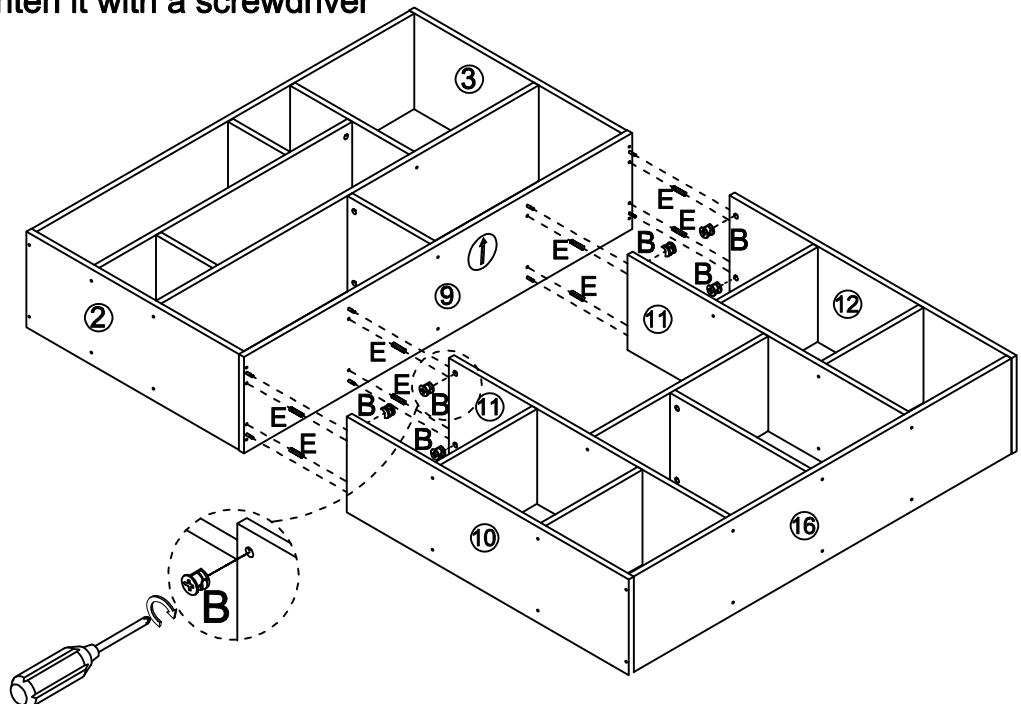
E	C
	
X6	X6



Step 21


- Install dowels Ex8 on the panel ⑨ as shown
- Connect the two of panel combination parts
- Use Bx8 to connect panel ⑨ and panel ⑩, ⑪x2 & ⑫ as shown, then tighten it with a screwdriver

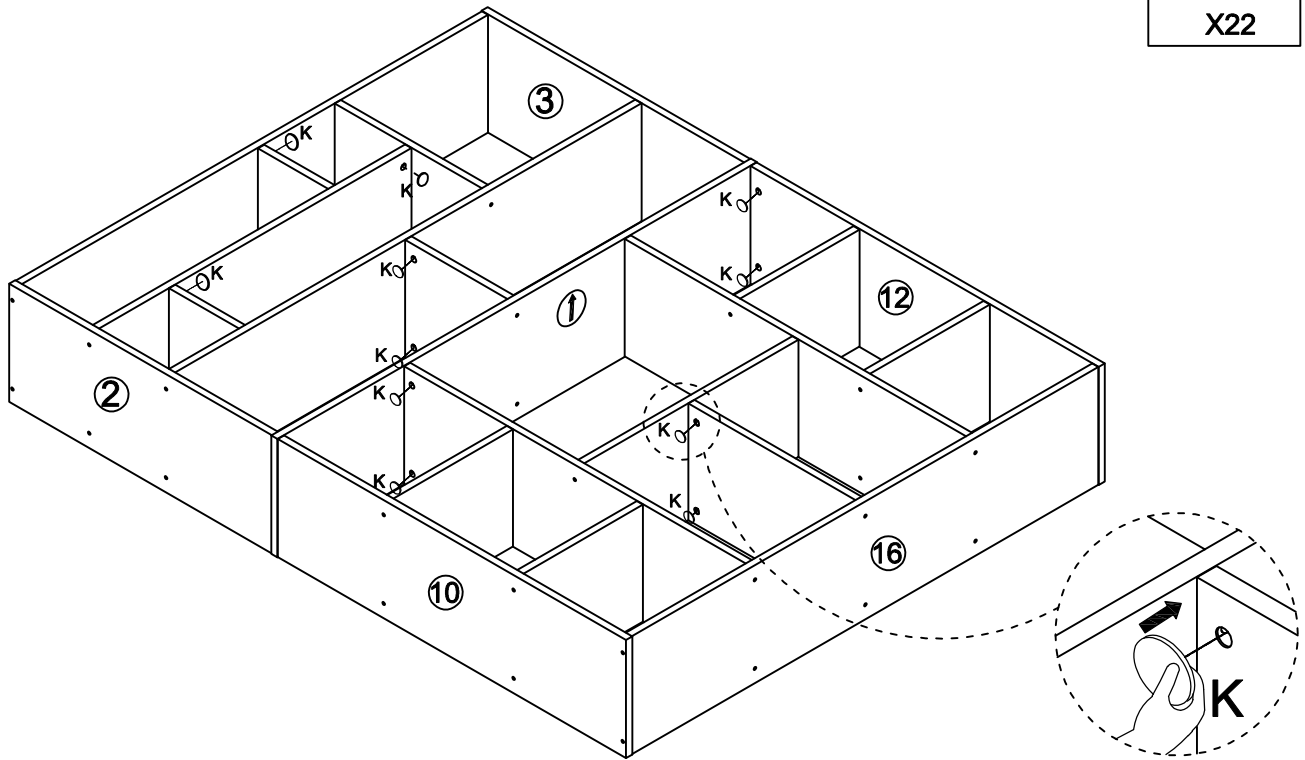
B	E
	
X8	X8



Step 22


-Paste beauty stickers as shown to make the bookcase more exquisite

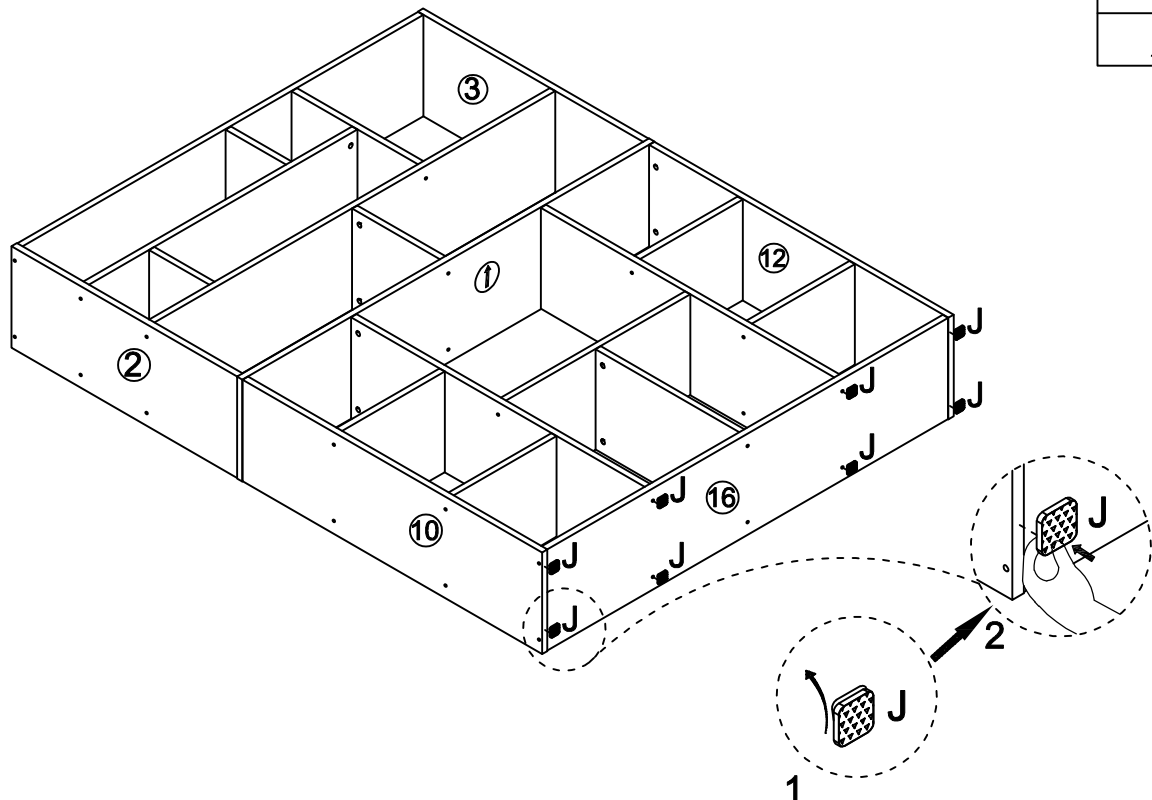
K

X22




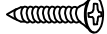
Step 23

-Stick 8 stable foot pads as shown to make the bookcase more stable

J

X8

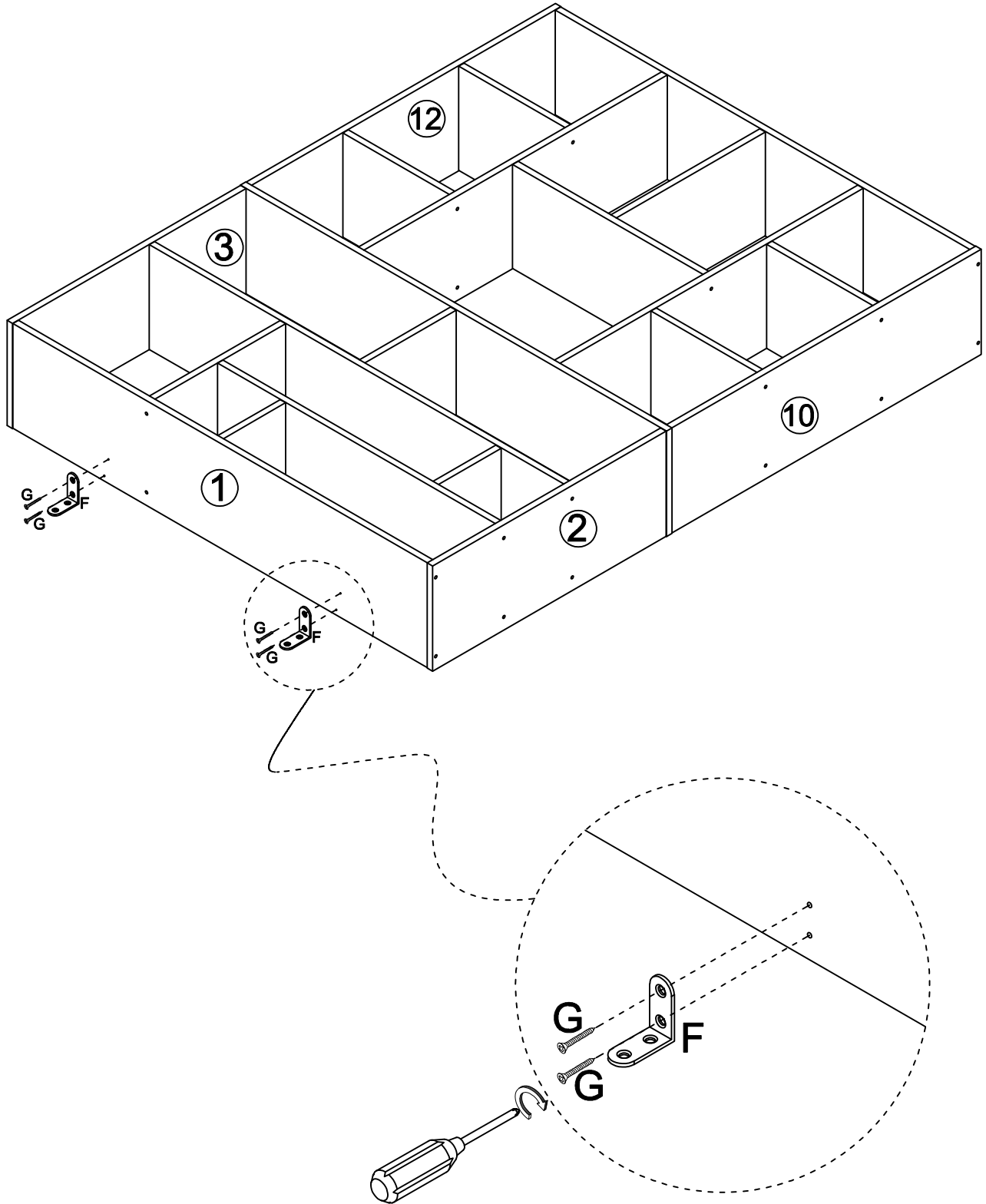


Step 24

F	G
	
X2	X4




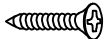
To prevent the bookcase from tipping over, please be sure to install the anti-tipping device as required by U.S. law!

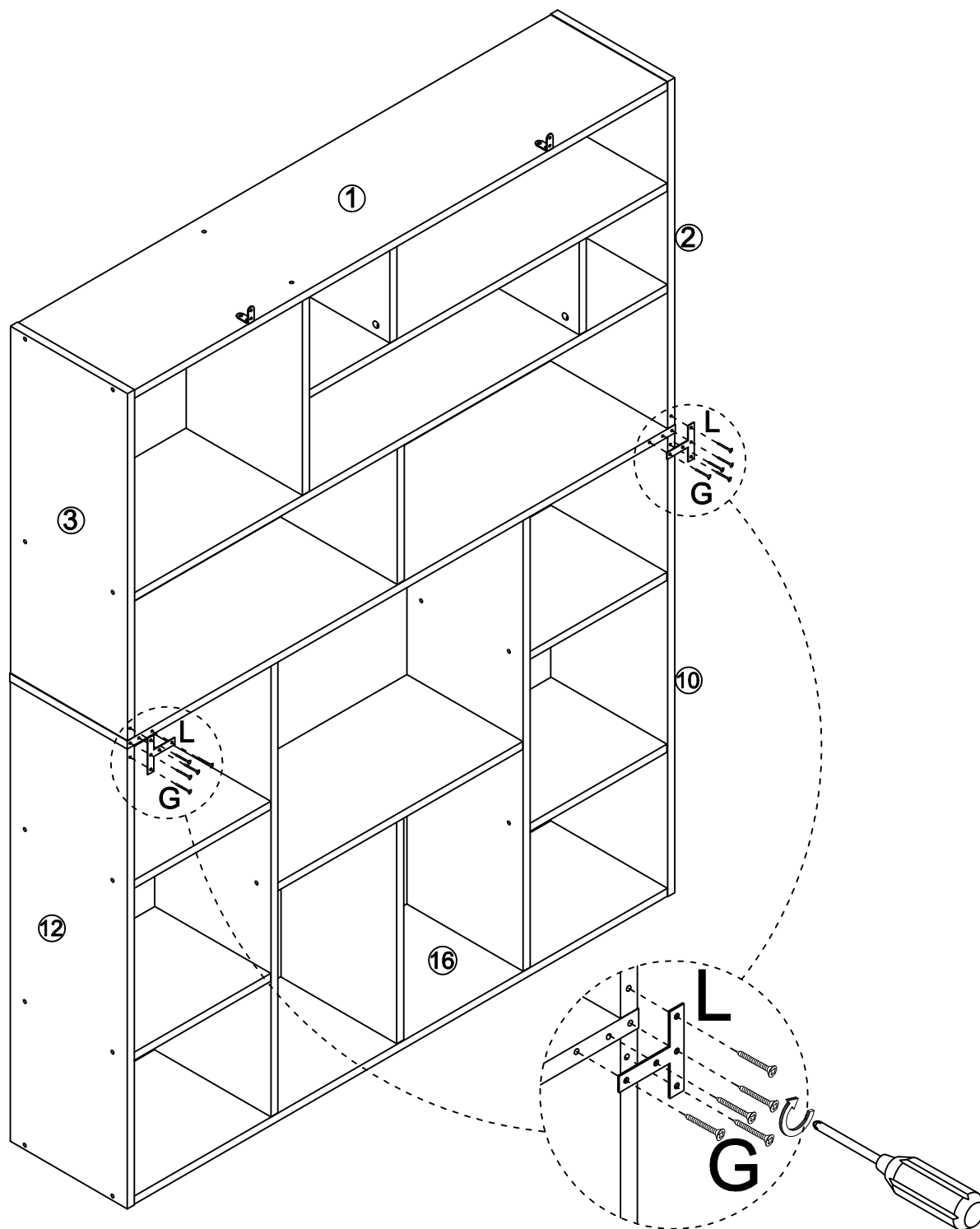


Step 25

Attention:

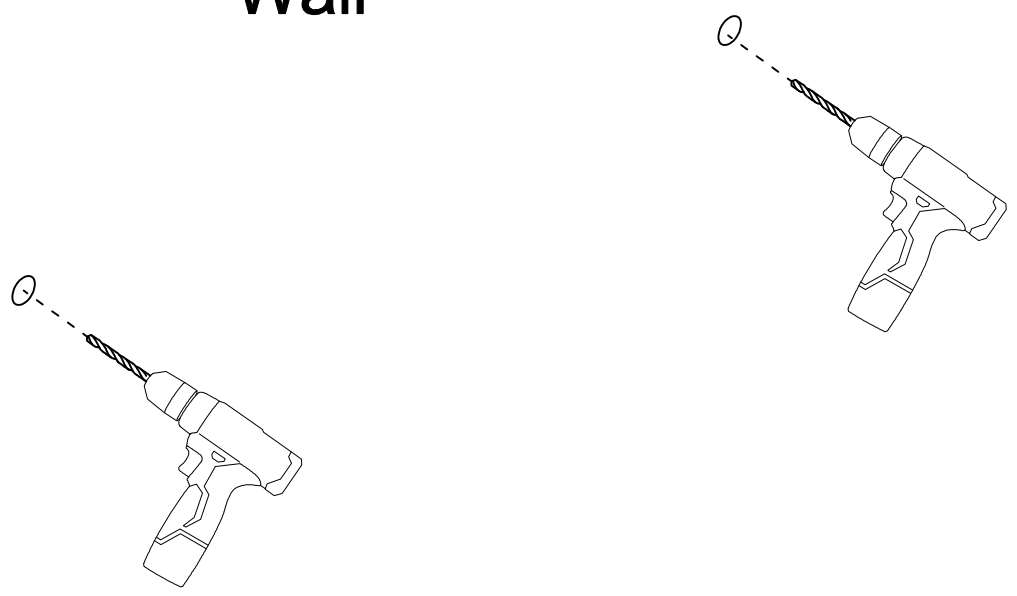
The anti-tipping device should be the same side (back side) with the T-shaped part!

L	G
	
X2	X10




Step 26

Wall

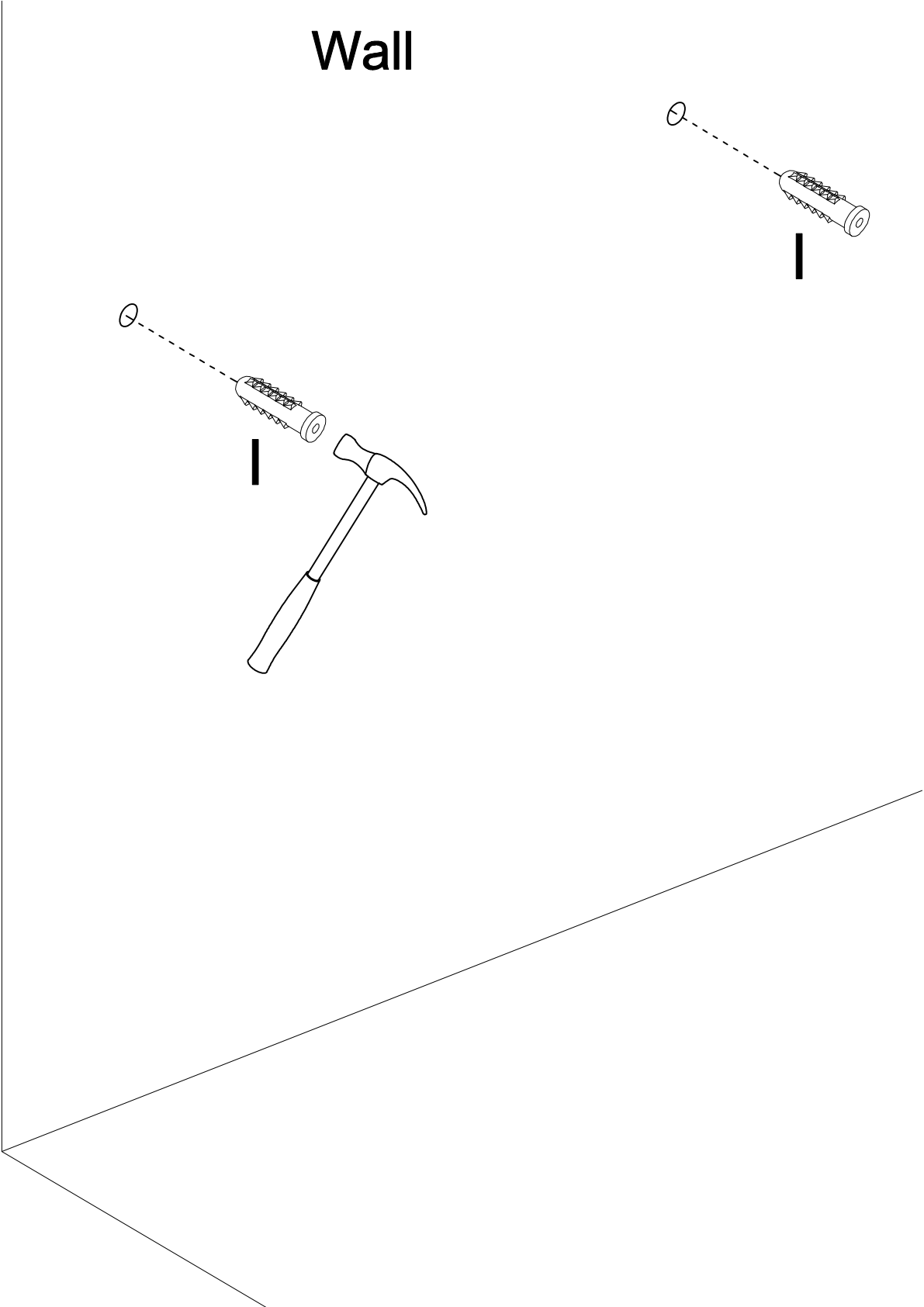


Make TWO holes 40MM deep

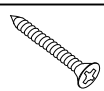
Step 27

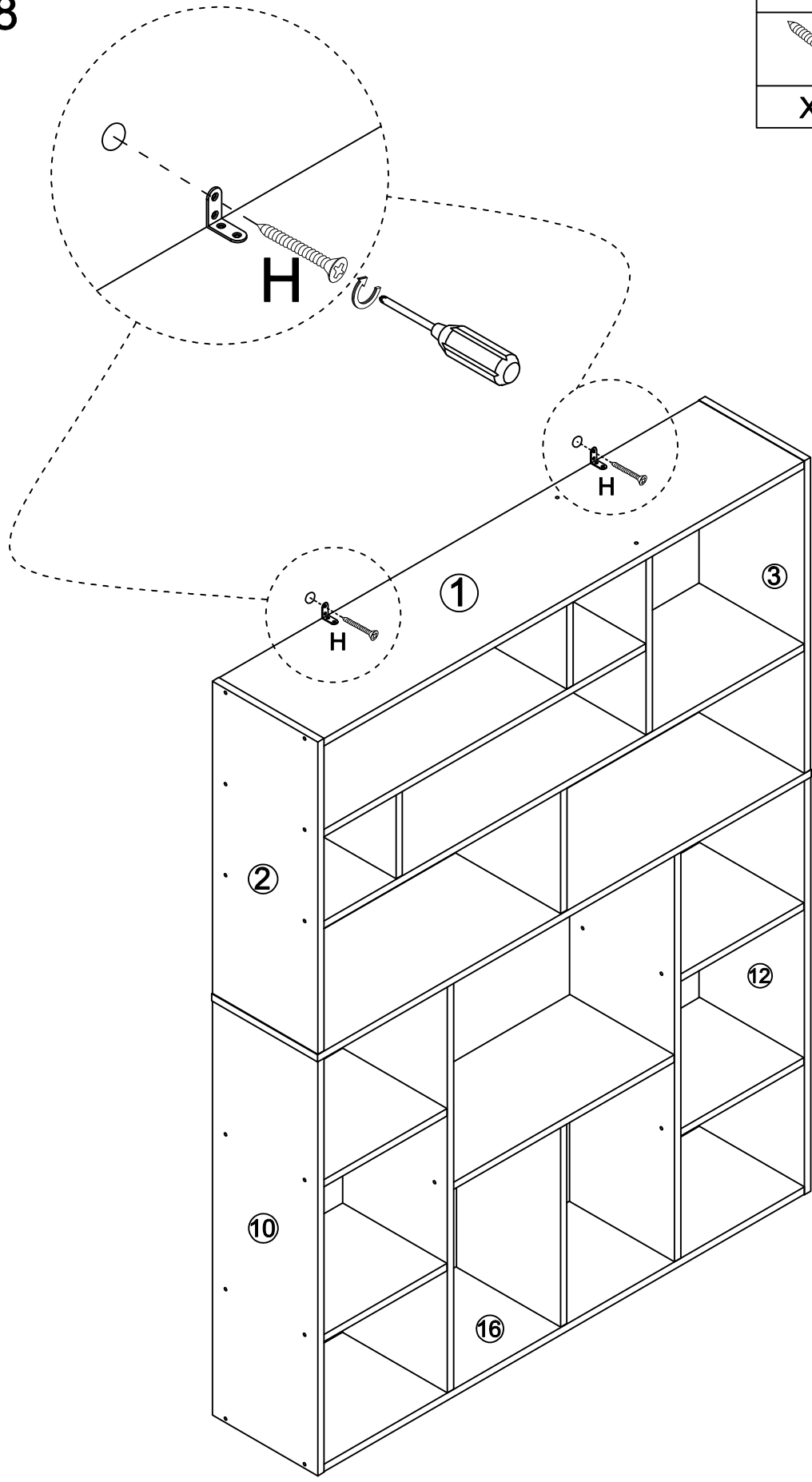
I

X2

Wall



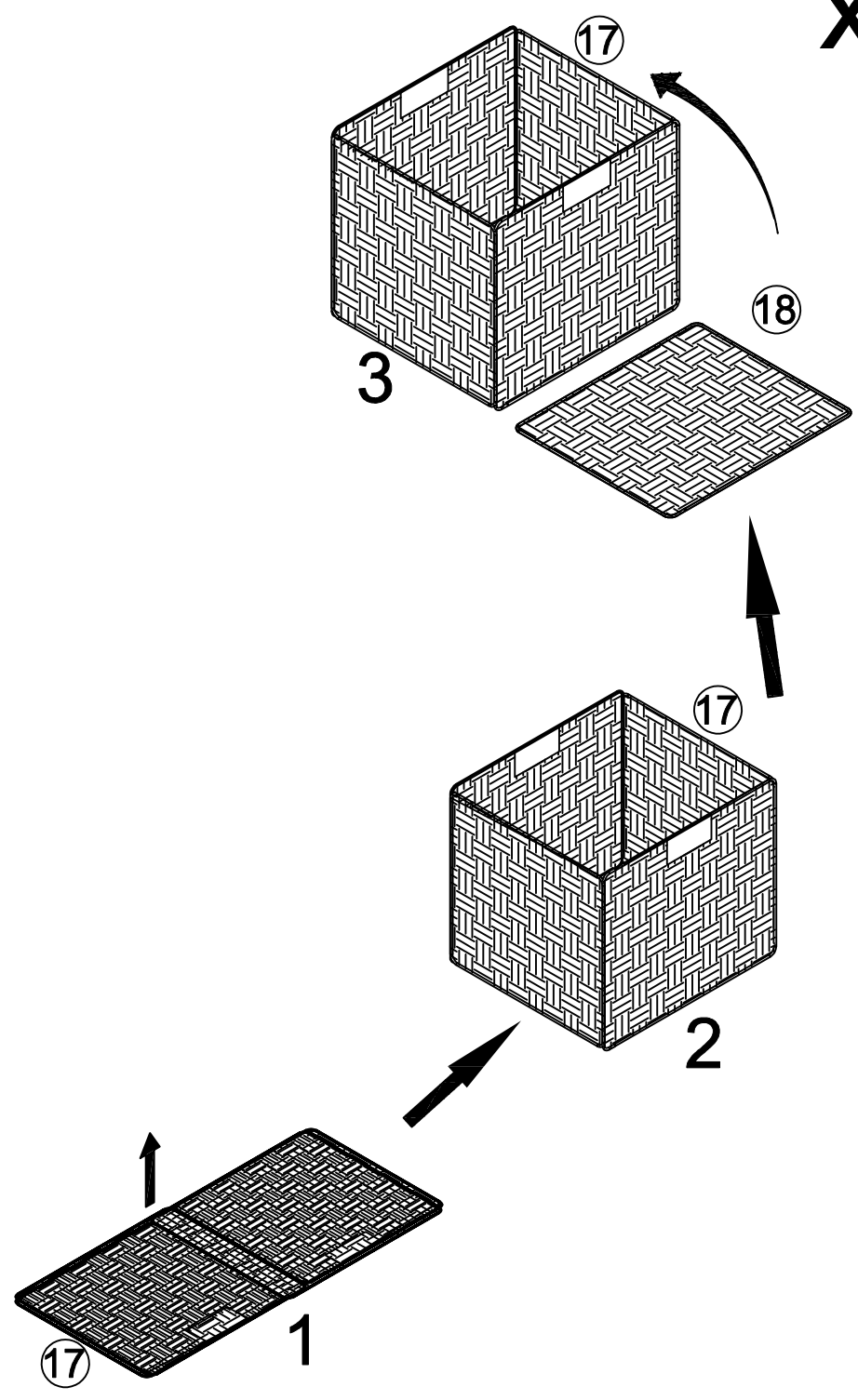
Step 28

H

X2

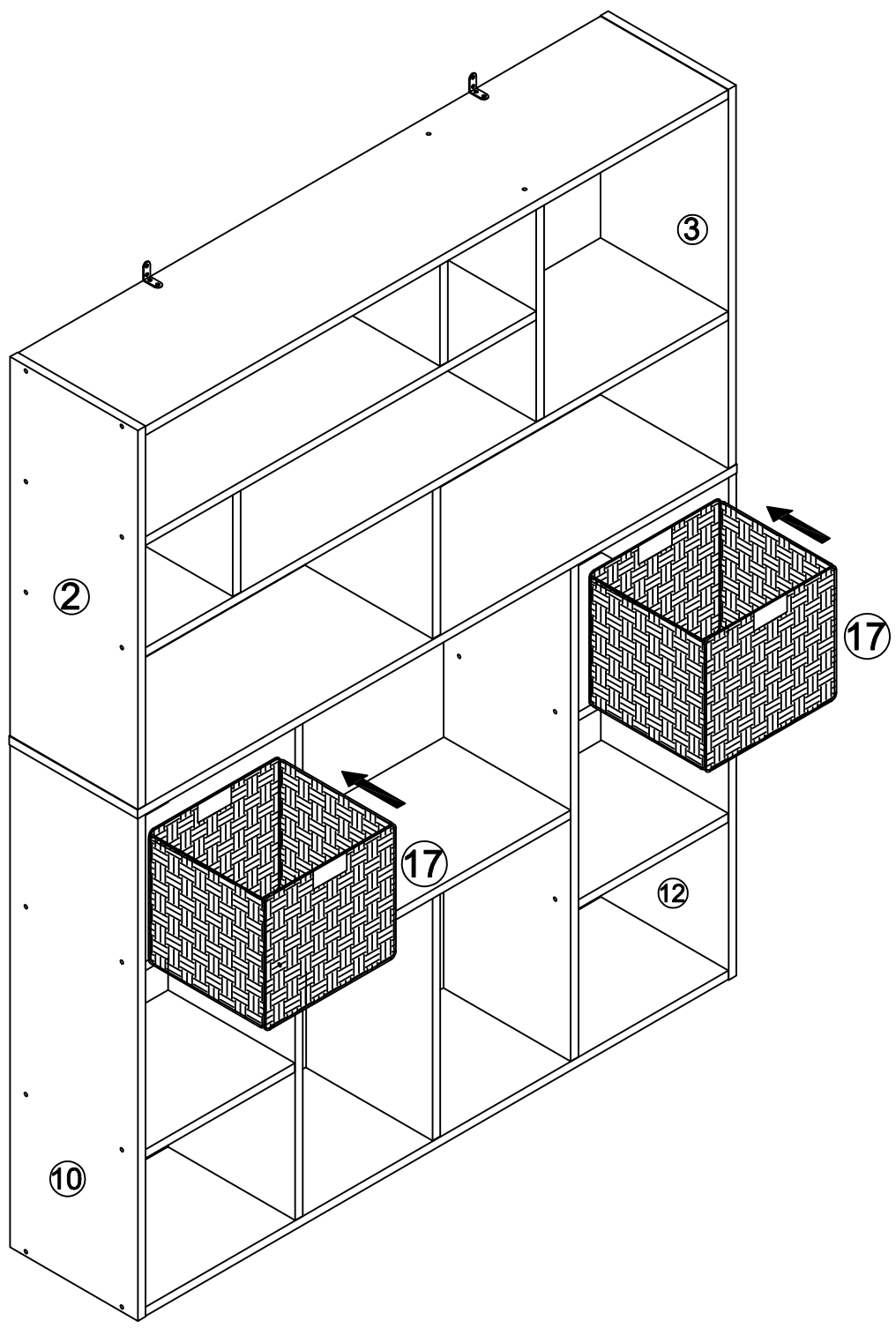


Step 29

x2



Step 30



Step 31

