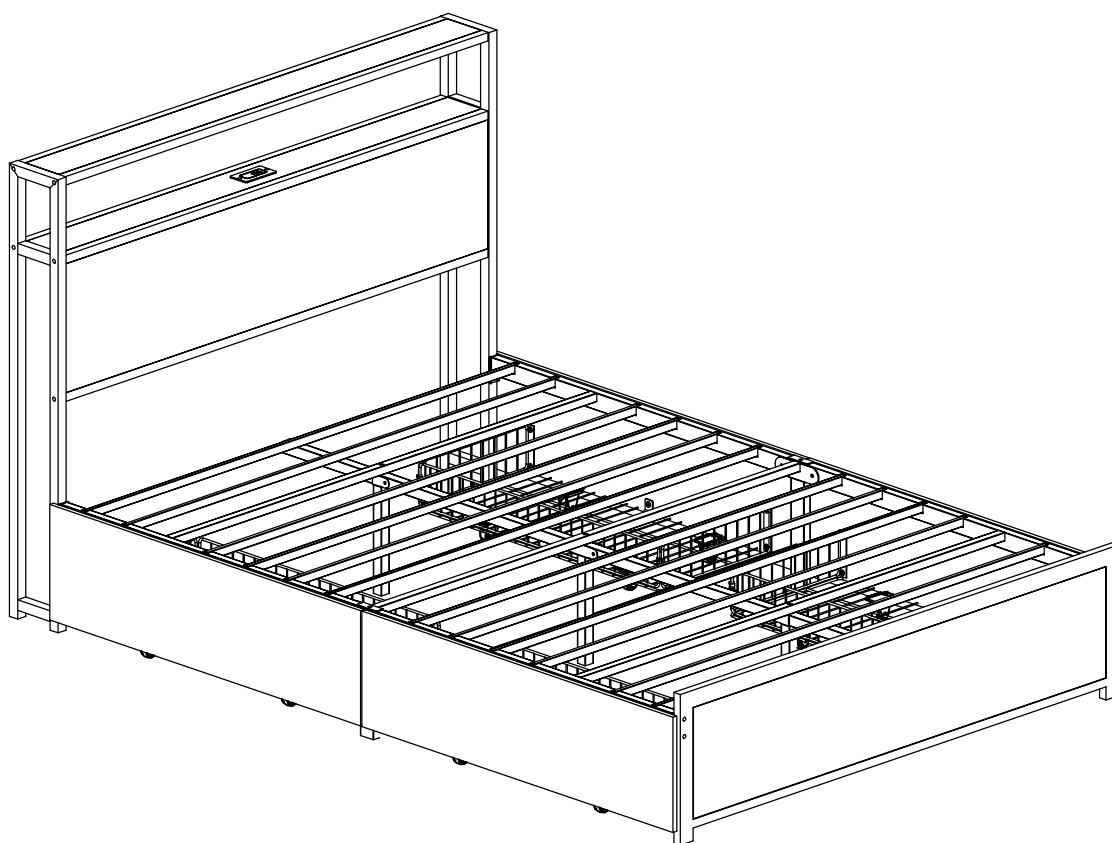


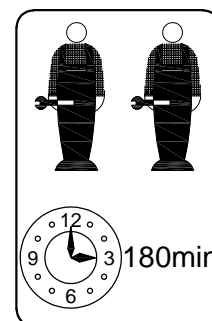
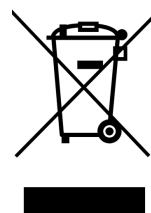
ASSEMBLY INSTRUCTION

This set comes in 2 boxes. If you do not receive a full 2 boxes, please contact our customer service.

Metal Bed: 135*190cm



**UK
CA**

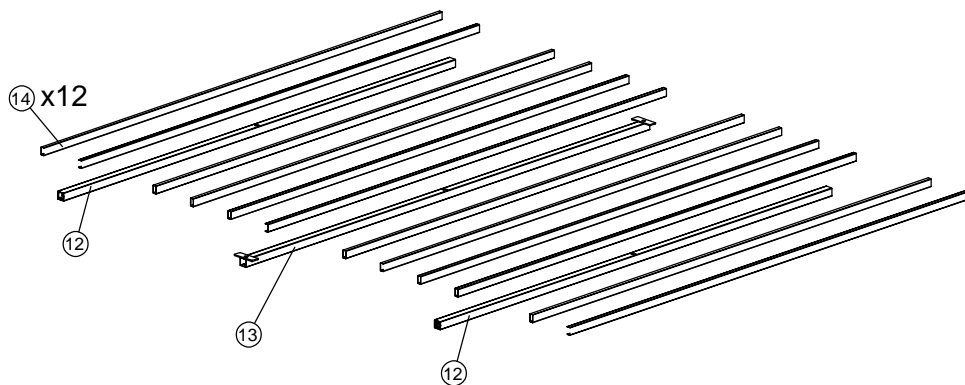
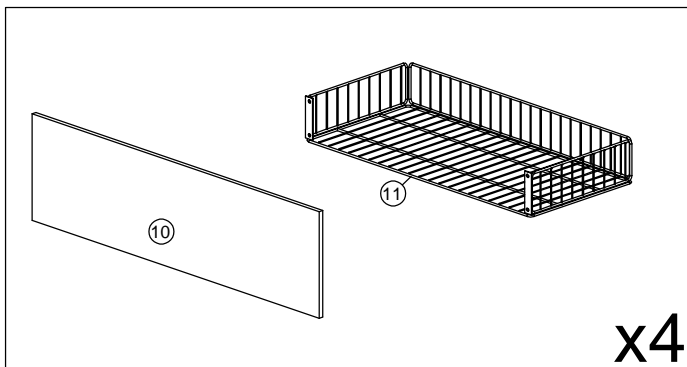
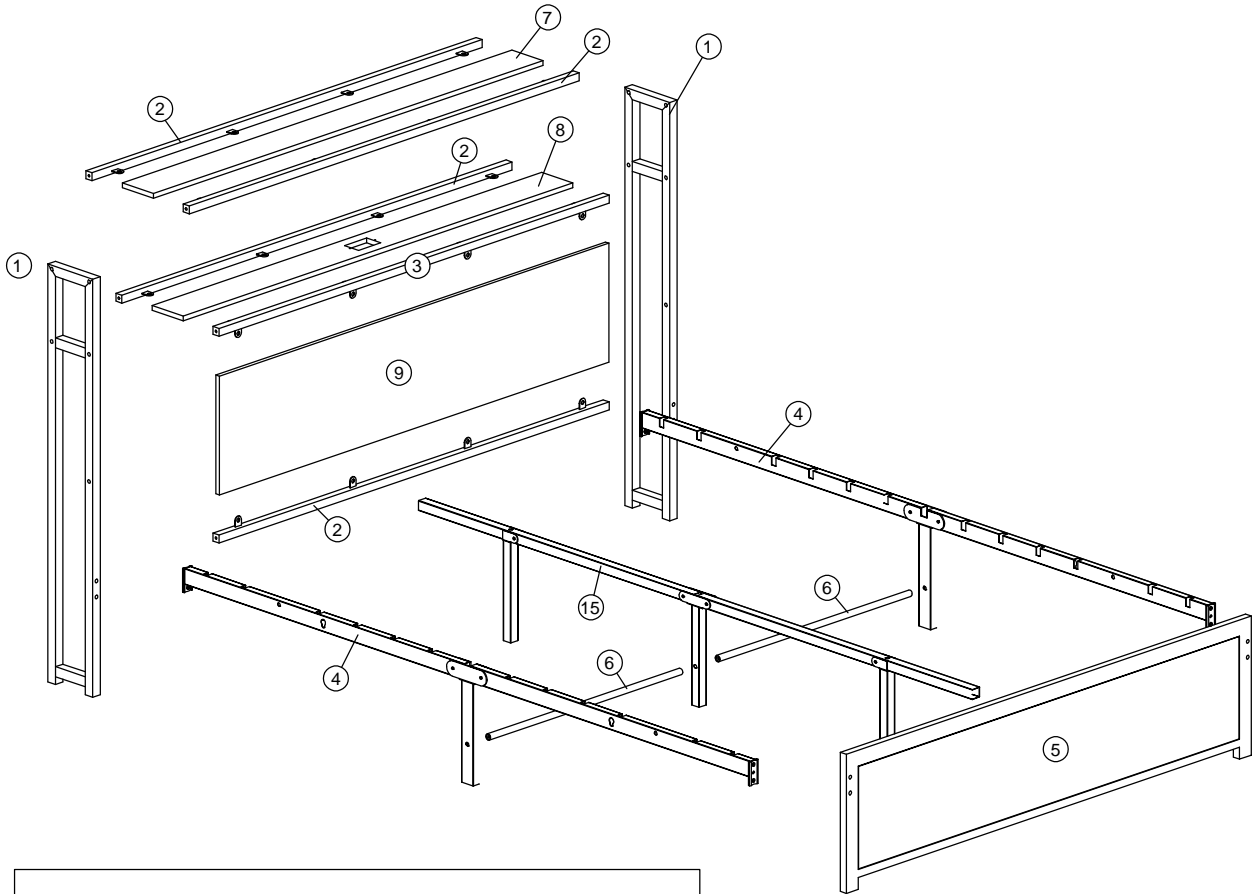


INSTRUCTIONS

IMPORTANT-READ CAREFULLY-RETAIN FOR FUTURE REFERENCE

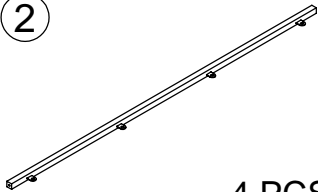
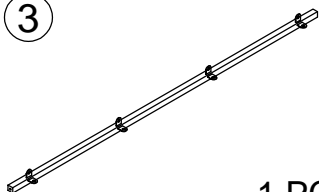
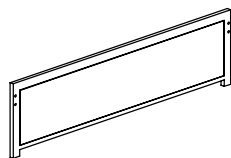
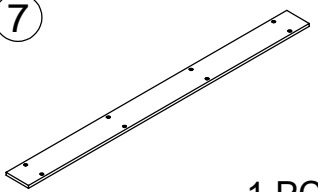
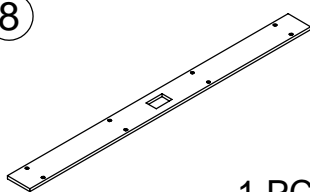
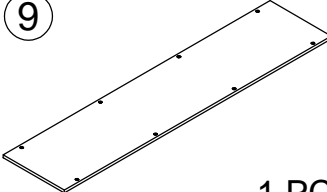
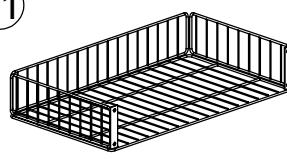
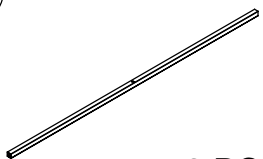
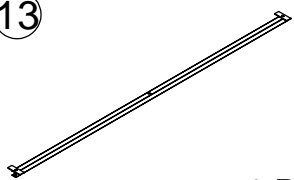
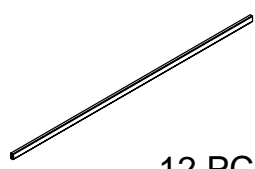
- a) **WARNING** -Children can become trapped between the bed and the wall, the adjoining pieces of furniture (e.g. cupboards) and the lke. To avoid risk of serious injury the distance between the safety barrier and the adjoining structure shall not exceed 75 mm or shall be more than 230 mm.
- b) **WARNING**-Do not use the bed if any structural part is broken or missing; Replacement parts are between requested from the manufacturer or the store.
- c) **WARNING**-Do not climb or wiggle on any non-designated structures.
- d) it is imperative to always follow the installation instructions and manufacturer's use.
- e) The recommended size of the mattress to be used with the bed is 135cmx190cm,maximum thickness mattress:13cm.
- f)It is necessary to ventilate the room in order to maintain a low level moisture and prevent mold growth in the bed and its periphery.
- g) Joining devices should always be tightened properly and regularly verified. Tighten if necessary.

PARTS LIST

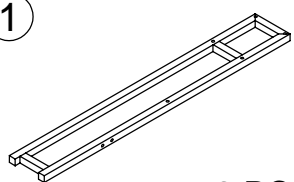
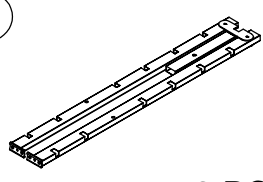
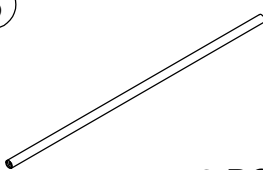
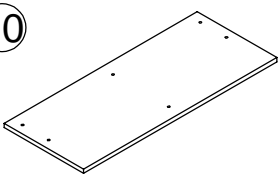
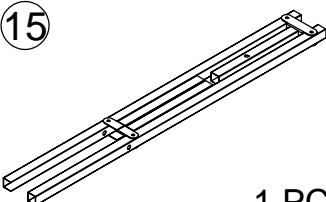


PARTS LIST

N604P178926S

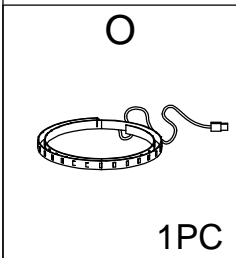
<p>②</p>  <p>4 PCS</p>	<p>③</p>  <p>1 PC</p>	<p>⑤</p>  <p>1 PC</p>	<p>⑦</p>  <p>1 PC</p>
<p>⑧</p>  <p>1 PC</p>	<p>⑨</p>  <p>1 PC</p>	<p>⑪</p>  <p>4 PCS</p>	<p>⑫</p>  <p>2 PCS</p>
<p>⑬</p>  <p>1 PC</p>	<p>⑭</p>  <p>12 PCS</p>		

N604P178927S


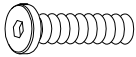
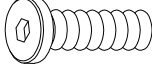
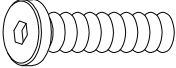
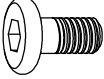

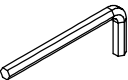

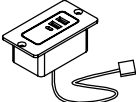

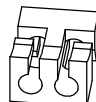


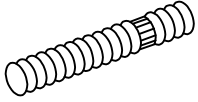
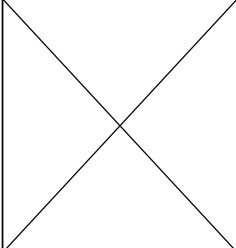

<p>①</p>  <p>2 PCS</p>	<p>④</p>  <p>2 PCS</p>	<p>⑥</p>  <p>2 PCS</p>	<p>⑩</p>  <p>4 PCS</p>
<p>⑮</p>  <p>1 PC</p>			

PARTS LIST

Hardware Liste N604P178926S

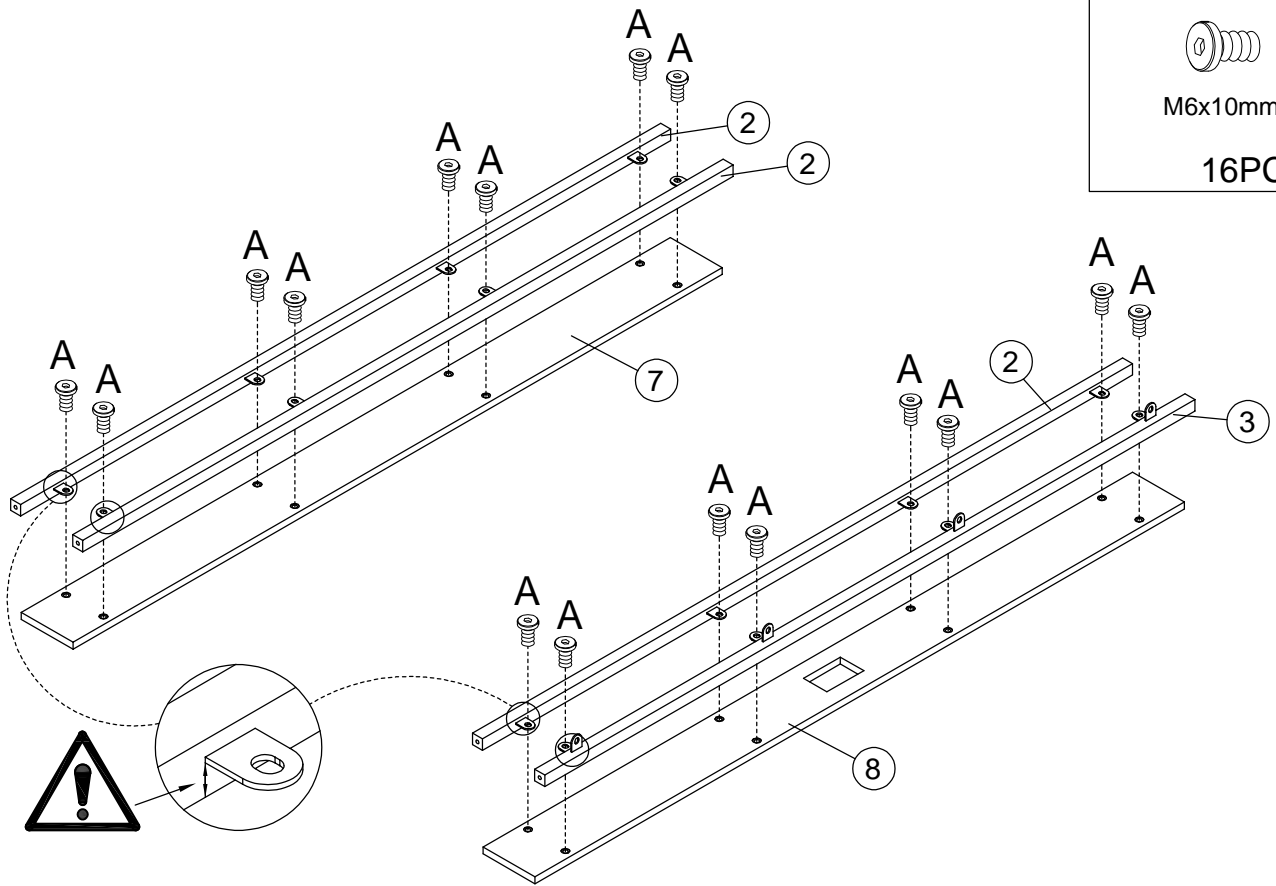


Hardware Liste N604P178927S

<p>A</p>  <p>M6x10mm</p> <p>44PCS+3</p>	<p>B</p>  <p>M6x45mm</p> <p>16PCS+1</p>	<p>C</p>  <p>M8x40</p> <p>8PCS+1</p>	<p>D</p>  <p>M8x55</p> <p>5PCS+1</p>	<p>E</p>  <p>M6X19mm</p> <p>4PCS+1</p>	<p>F</p>  <p>27PCS+2</p>
<p>G</p>  <p>5mm</p> <p>2PCS</p>	<p>H</p>  <p>4mm</p> <p>2PCS</p>	<p>I</p>  <p>1PC</p>	<p>J</p>  <p>Ø3.5x12</p> <p>2PCS+1</p>	<p>K</p>  <p>8 PCS</p>	<p>L</p>  <p>4PCS</p>
<p>M</p>  <p>16PCS</p>	<p>N</p>  <p>M6x70</p> <p>1PC+1</p>		<p>P</p>  <p>1PC</p>		

Note: Please do not tighten all bolts until the bed is assembled completely.

Step 1



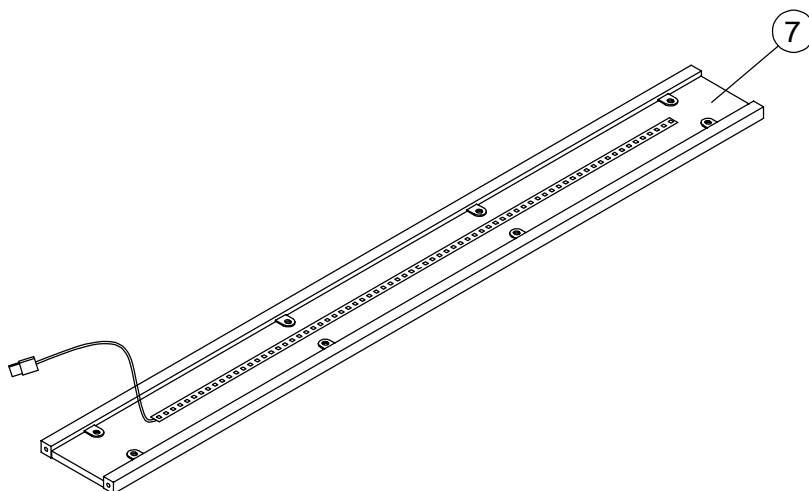
A



M6x10mm

16PCS

Step 2



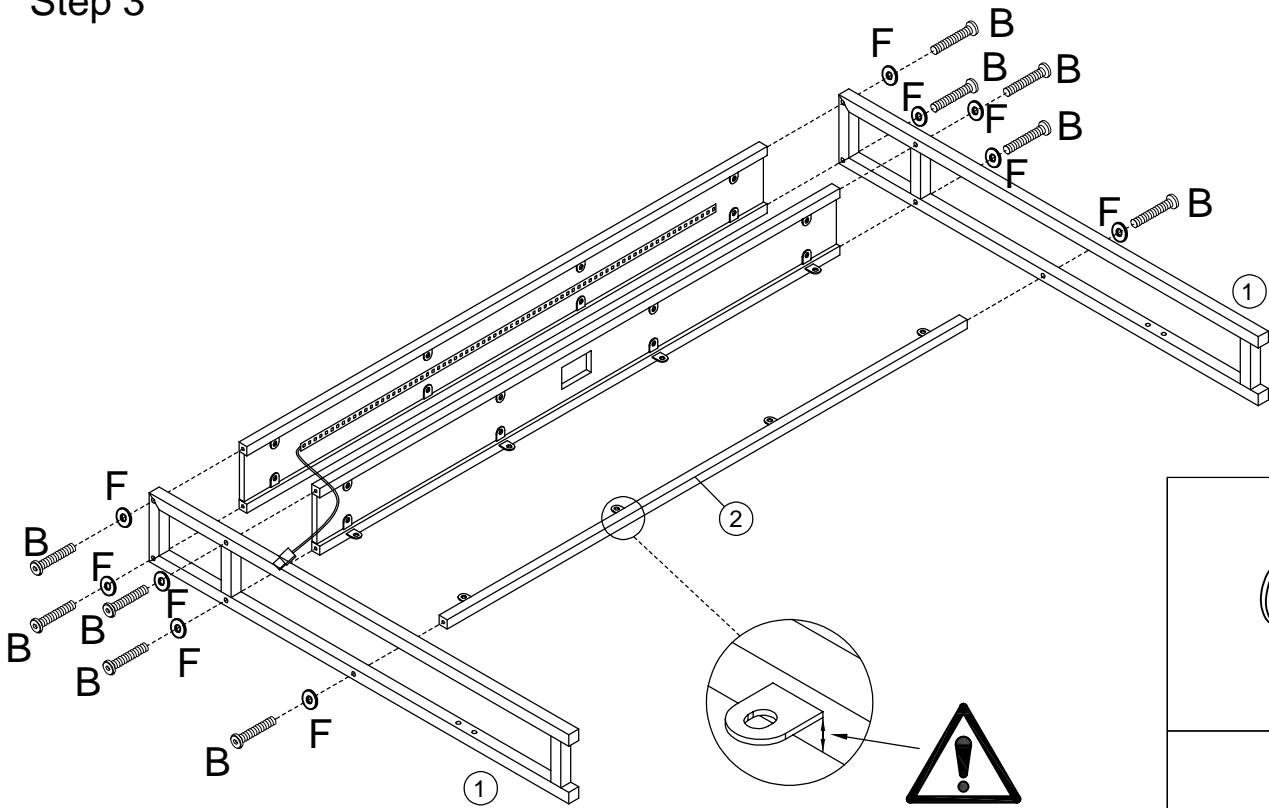
Battery not included.
Battery specification required: CR2025 3V


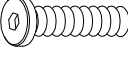
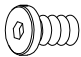
O



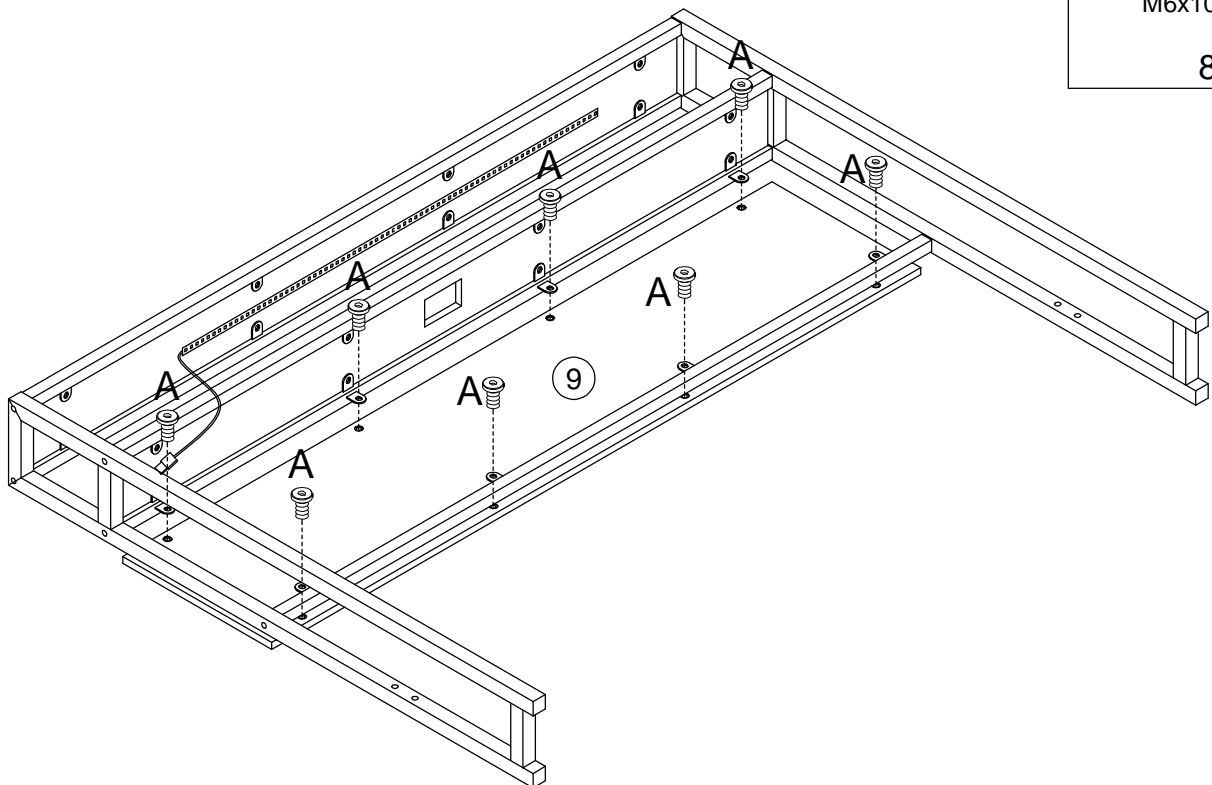
1PC

Step 3

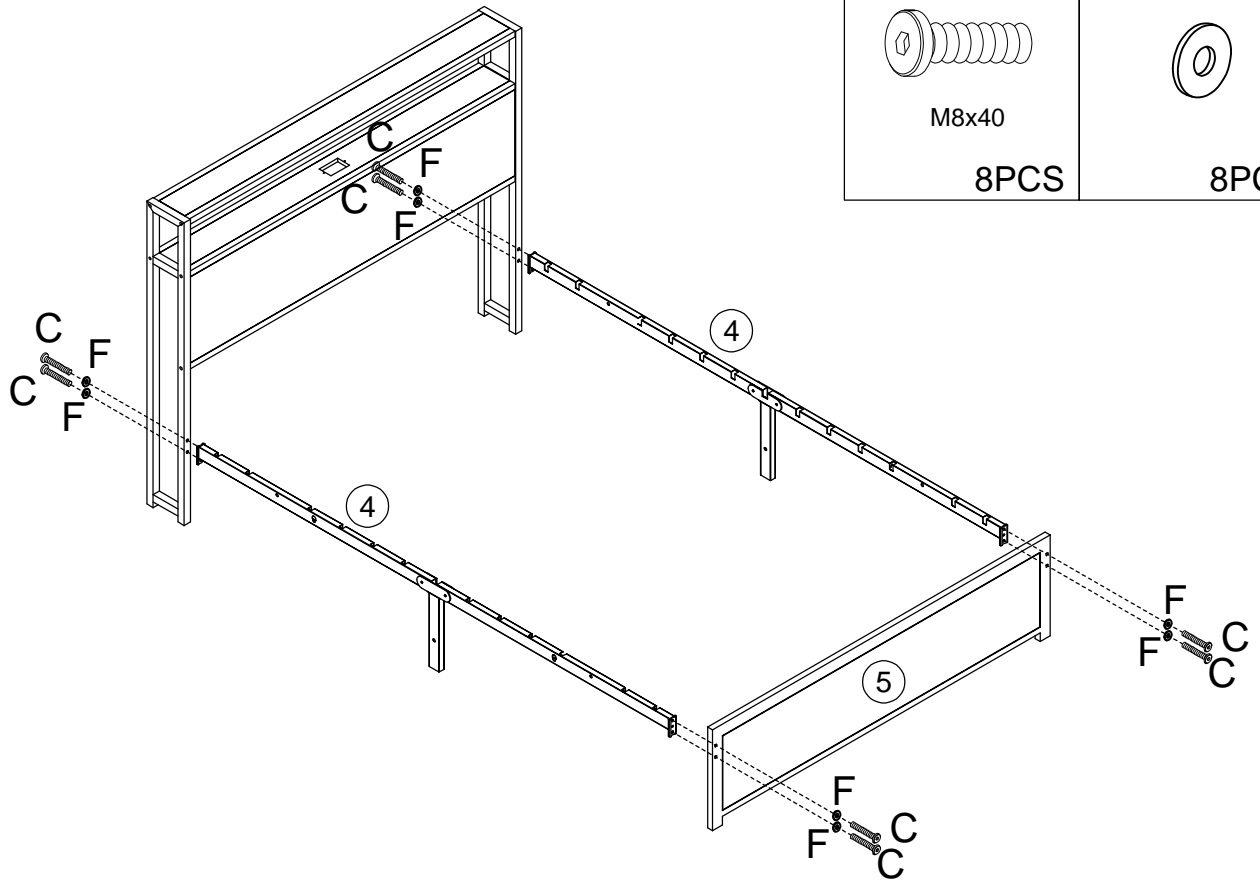


F	
10PCS	
B	
M6x45mm	
10PCS	
A	
M6x10mm	
8PCS	

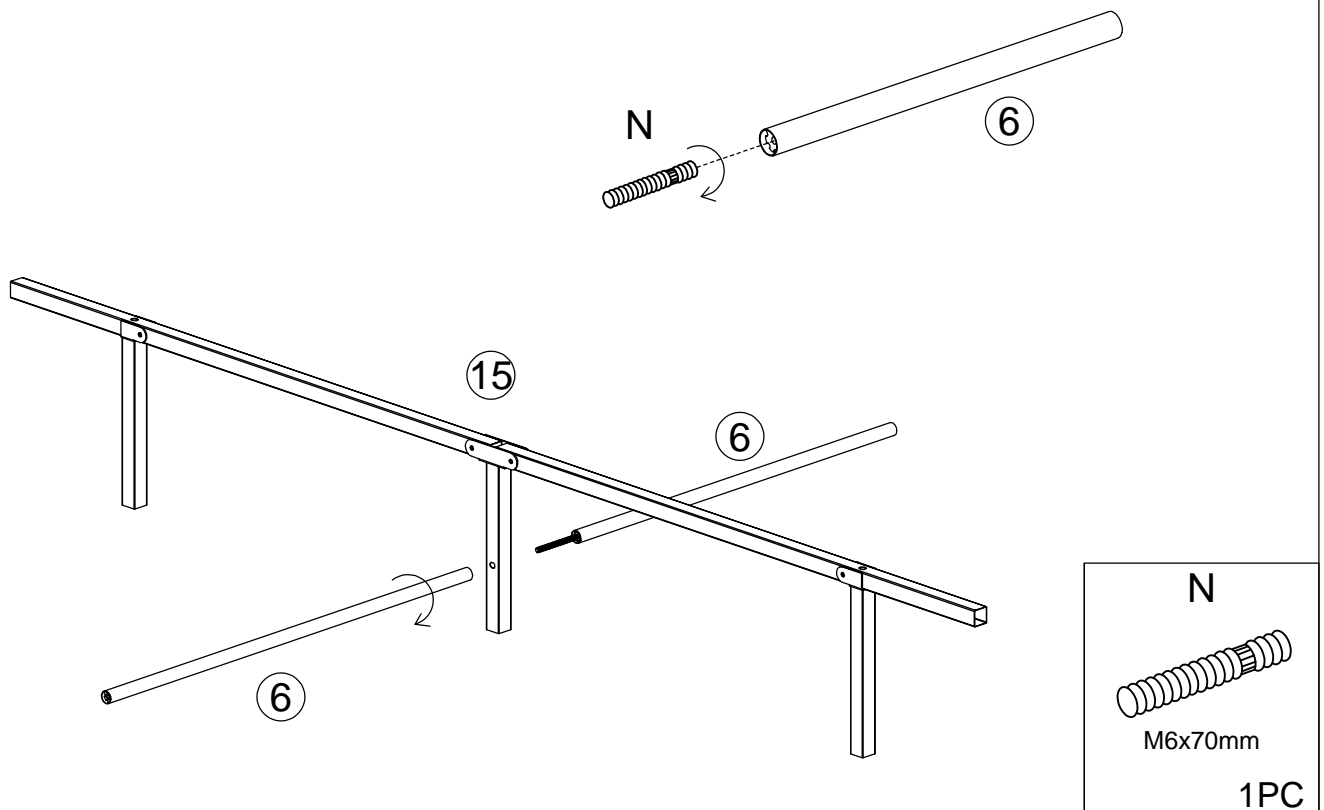
Step 4



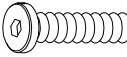

Step 5

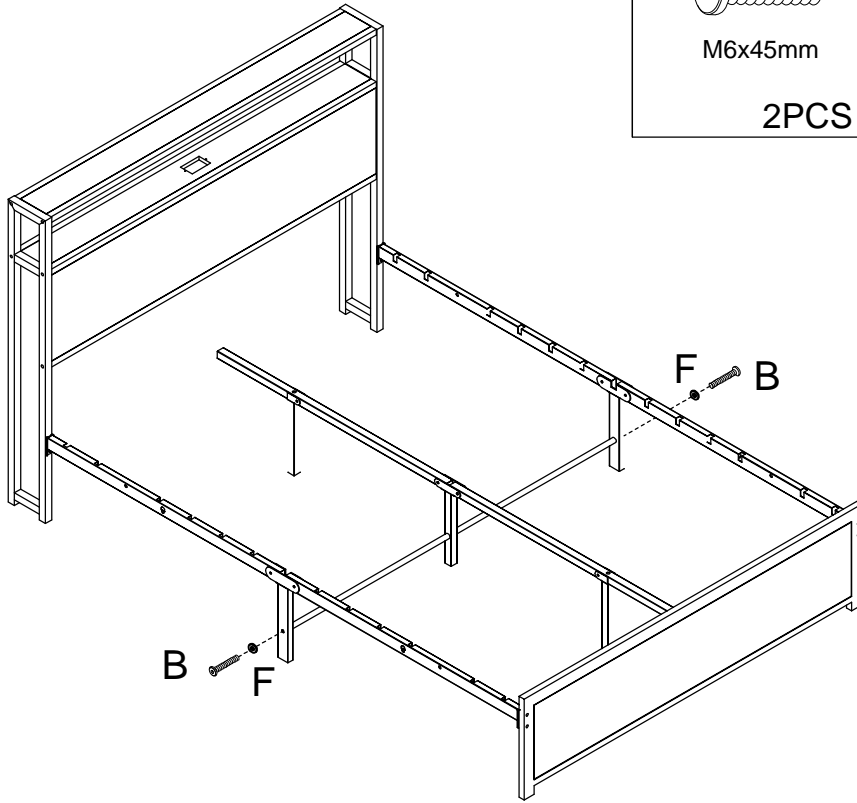


Step 6

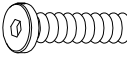
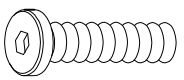



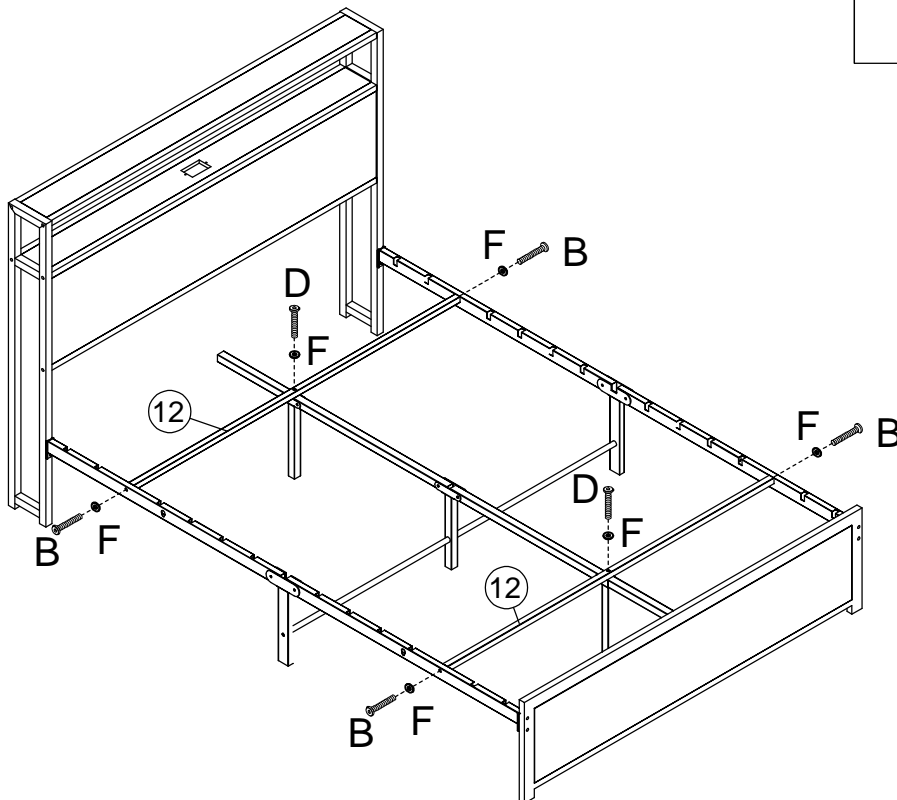
Step 7

B  M6x45mm 2PCS	F  2PCS
--	---

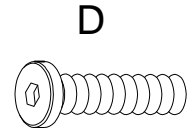


Step 8

B  M6x45mm 4PCS	D  M8x55 2PCS
	F  6PCS



Step 9

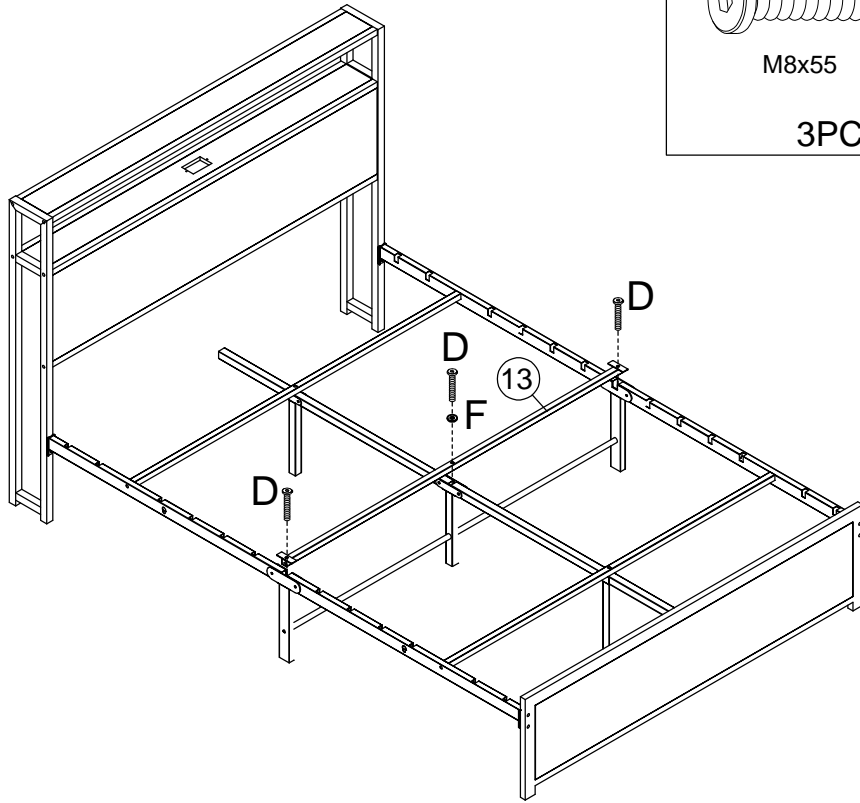


M8x55

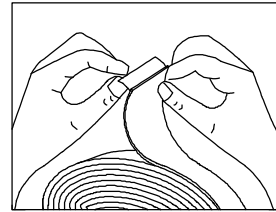
3PCS



1PC



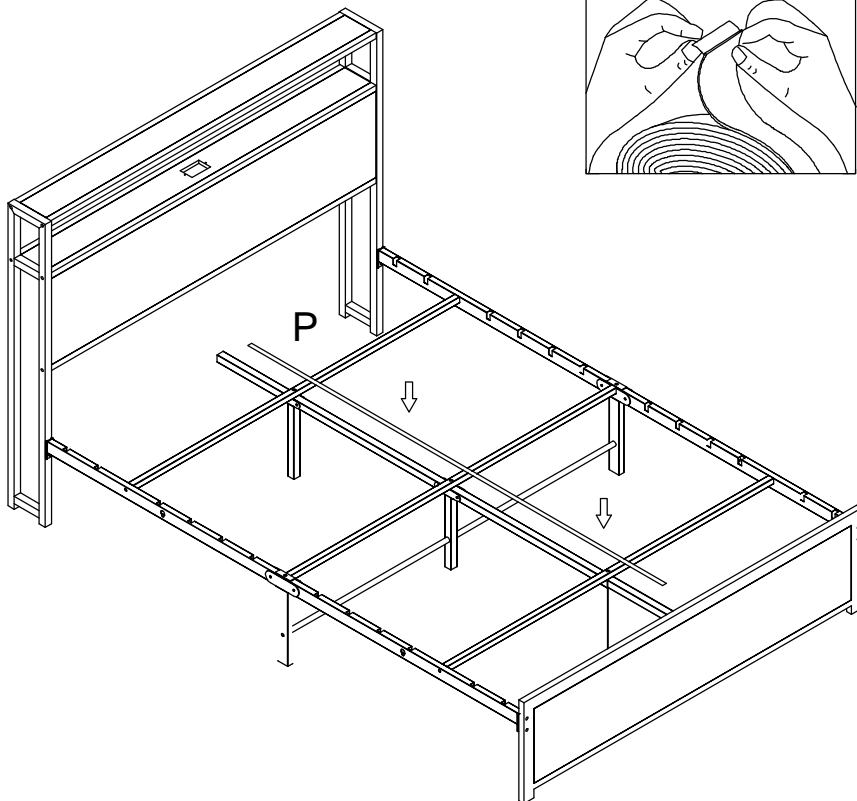
Step 10



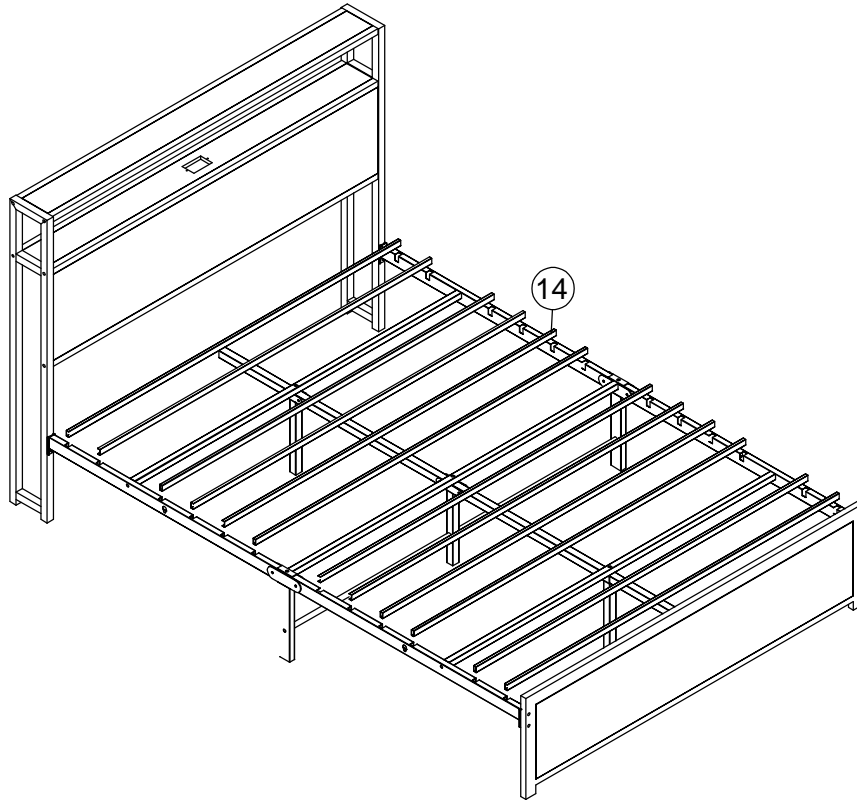
P



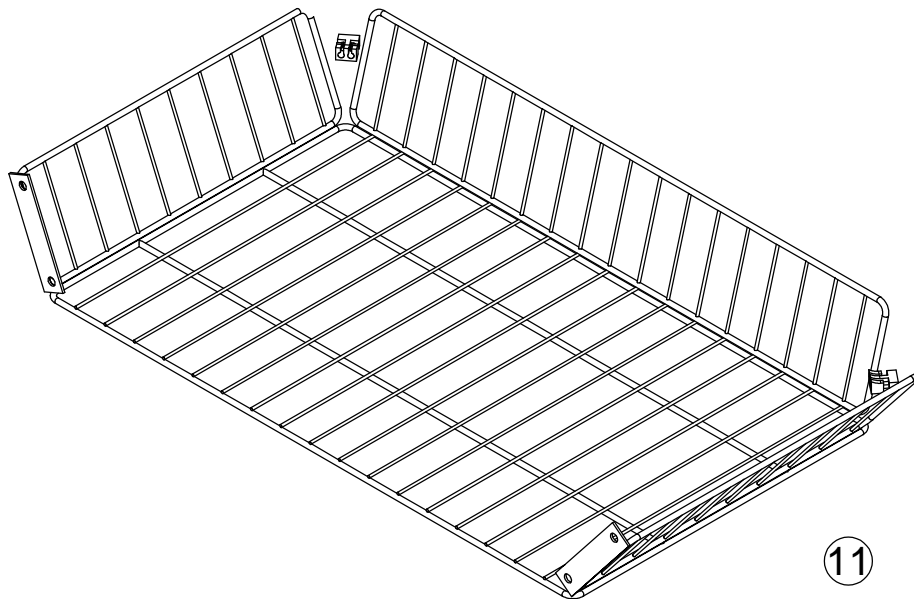
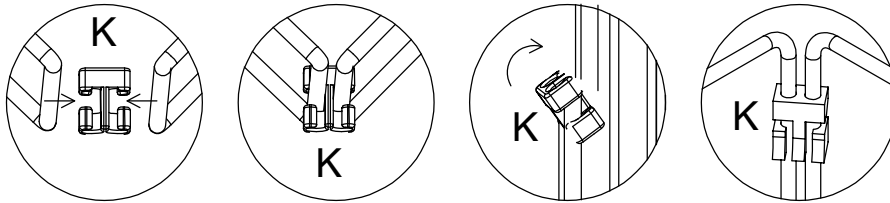
1PC



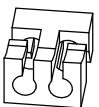
Step 11



Step 12



K



8PCS

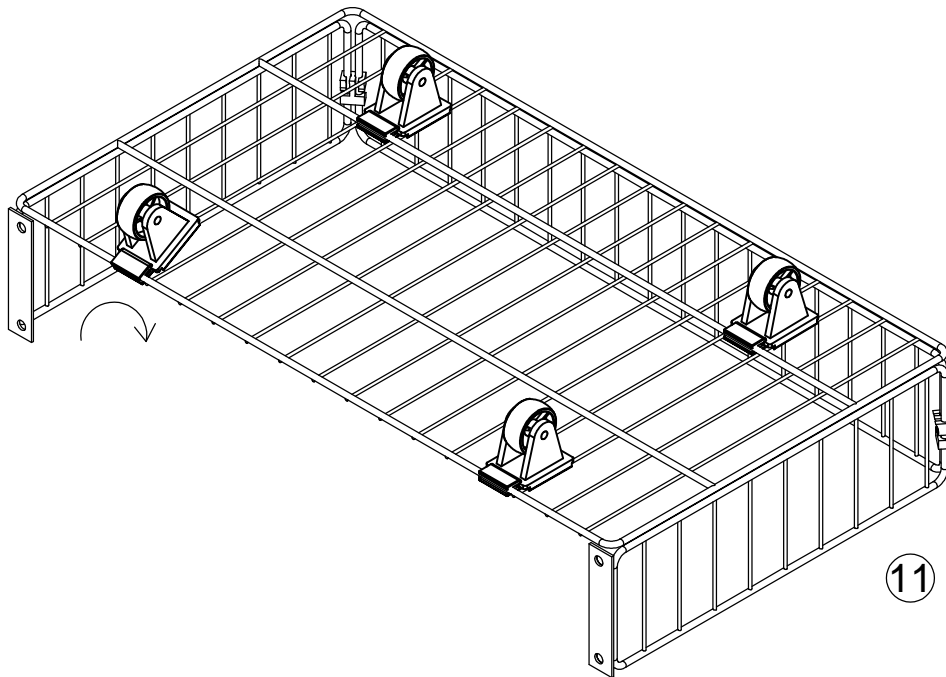
11 x4

Step 13

M

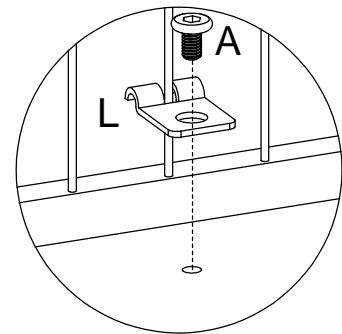
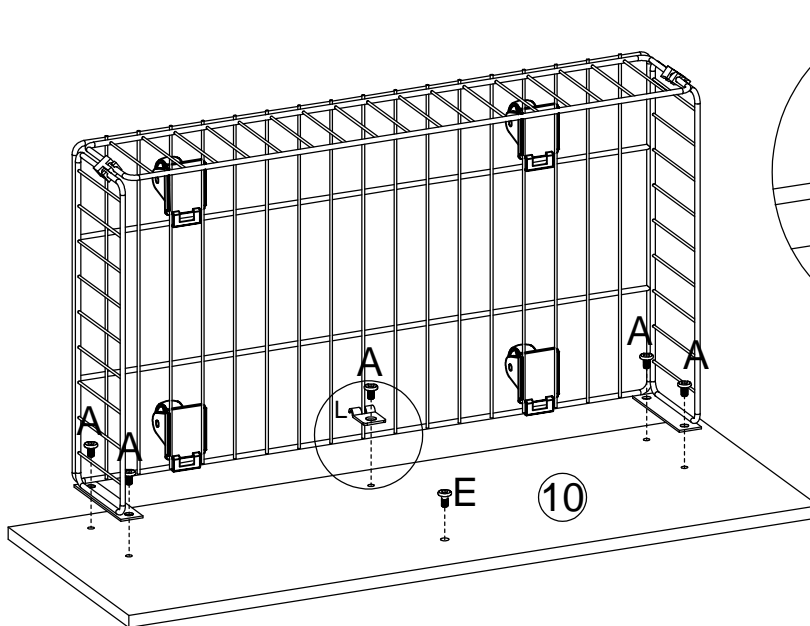


16PCS


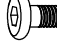



11 x4

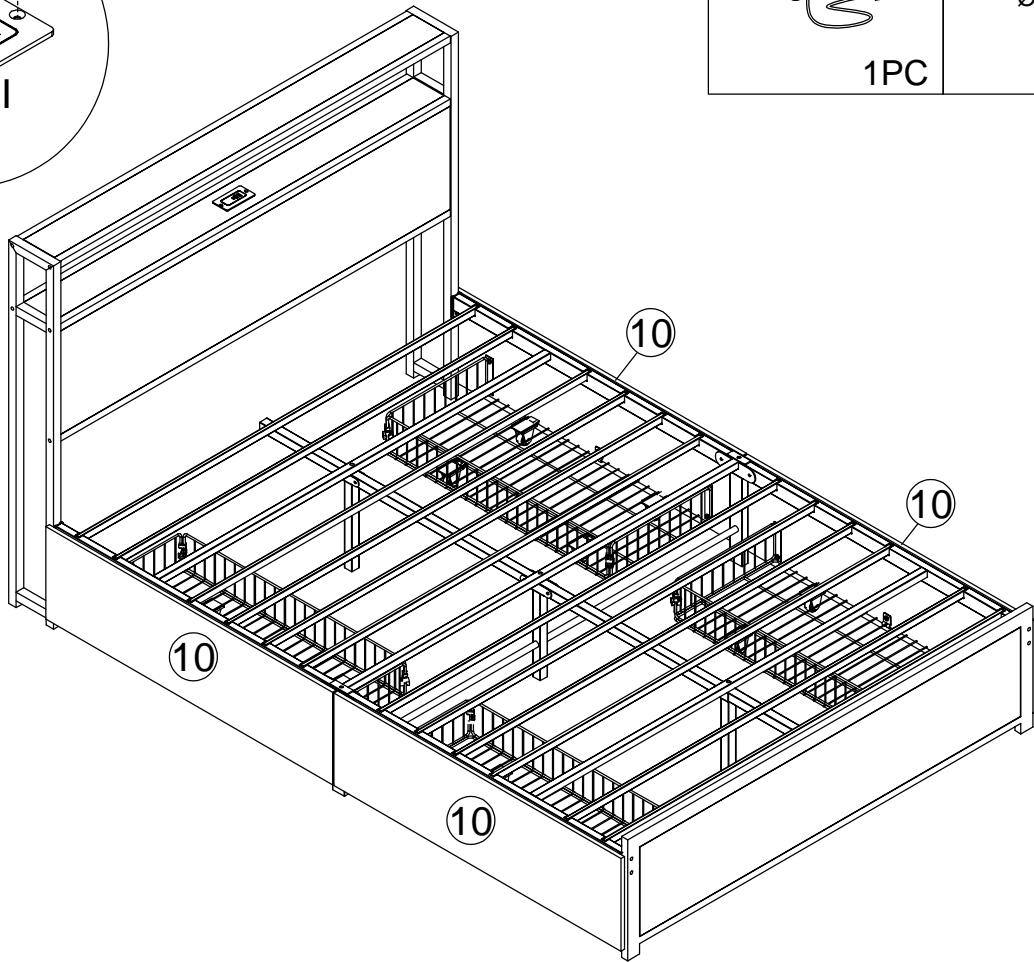
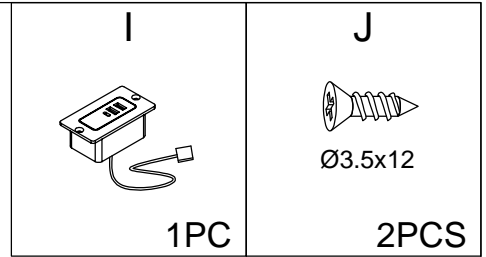
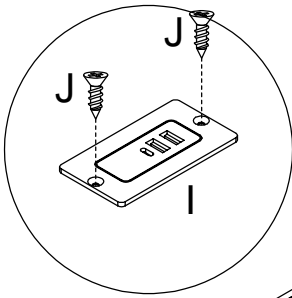
Step 14







x4

A	E	L
		
M6x10mm	M6x19mm	
20PCS	4PCS	4PCS

Step 15



	Importer	COMHARBOR LIMITED
	Address	WAREHOUSE 1& HEAD OFFICE,UNIT C,SWIFT POINT,COSFORD LANE,RUGBY,CV21 1PY,GB
	Model	HZY-5050RGB-30D-30R-DC5V
	Standard	BS EN IEC 55015:2019+A11:2020 IEC 61547:2020 BS EN IEC 61000-3-2:2019 BS EN 61000-3-3:2013/A2:2021
	VOLTAGE	DC5V
	Manufacturer	Shenzhen Hongzhengyu Technology Co., LTD
	Address	Shenzhen baoan district rock street industrial science and technology industrial park of 2 Haitian lanyu 3 5 floor of A
	Production date	2024/06
	Made in China	
		<p>Warning</p> <p>Please read the operating instructions carefully before using the lights.</p>

Attestation of Compliance

Declaration No.:	MK23110141P01-E01
Name and address of Applicant:	Shenzhen Hongzhengyu Technology Co., LTD Shenzhen baoan district rock street industrial science and technology industrial park of 2 Haitian lanyu 3 5 floor of A
Name and address of Manufacturer:	Shenzhen Hongzhengyu Technology Co., LTD Shenzhen baoan district rock street industrial science and technology industrial park of 2 Haitian lanyu 3 5 floor of A
Product name:	RGB package
Rated:	DC5V
Product model(s):	HZY-5050RGB-30D-90R-DC5V, HZY-5050RGB-30D-30R-DC5V, HZY-5050RGB-60D-60R-DC5V, HZY-5050RGB-60D-180R-DC5V, HZY-5050RGB-18D-18R-DC5V
Product trademark:	N/A

This Attestation of Compliance confirms that the product meets the requirements of the following standard.

BS EN IEC 55015:2019+A11:2020
IEC 61547:2020
BS EN IEC 61000-3-2:2019
BS EN 61000-3-3:2013/A2:2021

The Attestation of Compliance has been carried out in accordance with individual rules and conditions agreed with the applicant. Evaluation has been carried out in accordance with:

Test report(s) No.:	MK23110141P01-E01
Test conducted by:	TMC Testing Services (Shenzhen) Co., Ltd.
Declaration issue date:	December 5, 2023

Notes:

This Attestation of Compliance is issued according to the Great Britain legislation Electromagnetic Compatibility Regulations 2016(SI 2016 No. 1091). It confirms that the listed products complies with all essential requirements of the Regulations and applies only to the sample and its technical documentation to TMC Testing Services (Shenzhen) Co., Ltd. for testing.

After preparation of the necessary technical documentation (which must be kept for up 10 years after the product is placed on the GB market) as well as the UK Declaration of Conformity, the required UKCA marking can be affixed on the product. Other relevant Regulations have to be observed.

TMC Testing Services (Shenzhen) Co., Ltd.

t:86-755-86642861 cert@tmc-lab.com www.tmc-lab.com

1st Floor, Block A1, Zone A, Xinshidai Gongrong Industrial Park, No. 2, Shihuan Road, Shiyuan Street, Baoan District, Shenzhen, China



Lab Director
Vivian Jiang