

Thank you for choosing a product.

Your complete satisfaction is our top priority.

Customer Service and Warranty Information

- **For Warranty Assistance:**

If you experience any issues or require additional information regarding your warranty, please do not contact the place of purchase. Instead, reach out directly to our Customer Service Team for prompt support.

- **Warranty Coverage:**

Warrants its products to the original purchaser against defects in materials or workmanship. A defect is defined as any flaw that impairs the normal use of the product. This warranty is limited to the replacement of defective parts or components and is valid for one (1) year from the date of purchase.

- **Warranty Limitations:**

This warranty covers products used under normal household conditions. It does not apply to furniture used outdoors or damage resulting from improper assembly or disassembly, product modification, intentional damage, accidents, misuse, exposure to elements, or any labor or assembly costs.

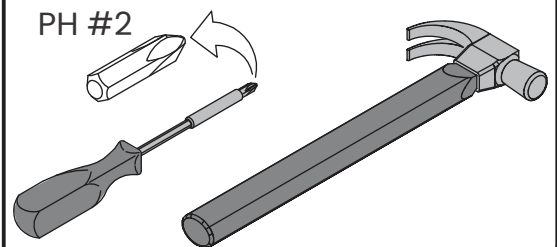
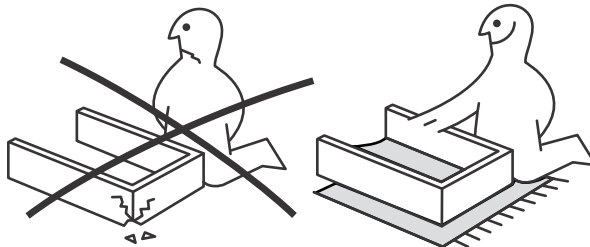
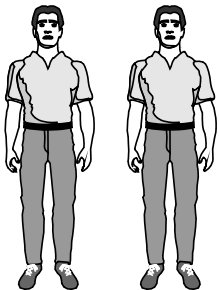
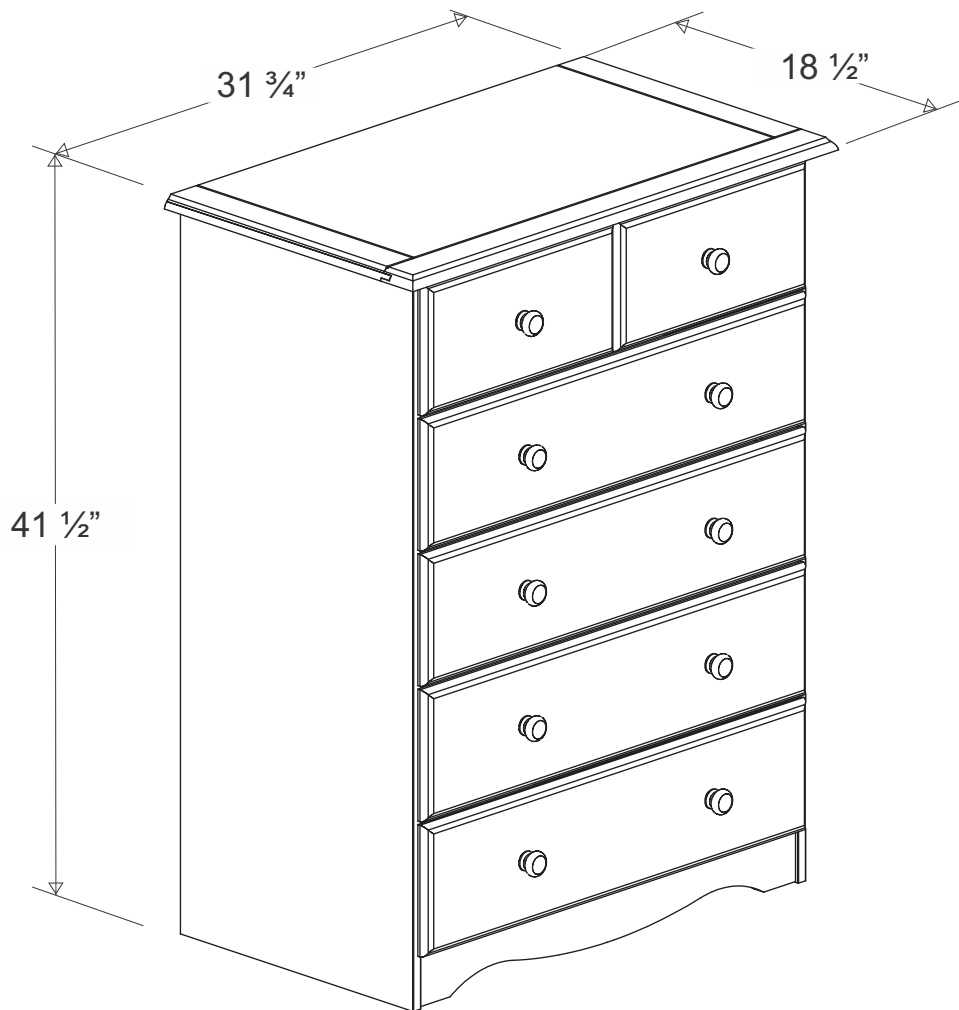
- **Additional Terms:**

We reserve the right to require proof of purchase to process any warranty claim. We are not liable for any incidental or consequential damages resulting from the misuse of our products.

ASSEMBLY GUIDE

6-DRAWER CHEST

Compliant with Federal Law STURDY Act (Stop Tip-overs of Unstable, Risky Dressers on Youth). Passed 16 CFR 1262, ASTM F2057-23 Tests.



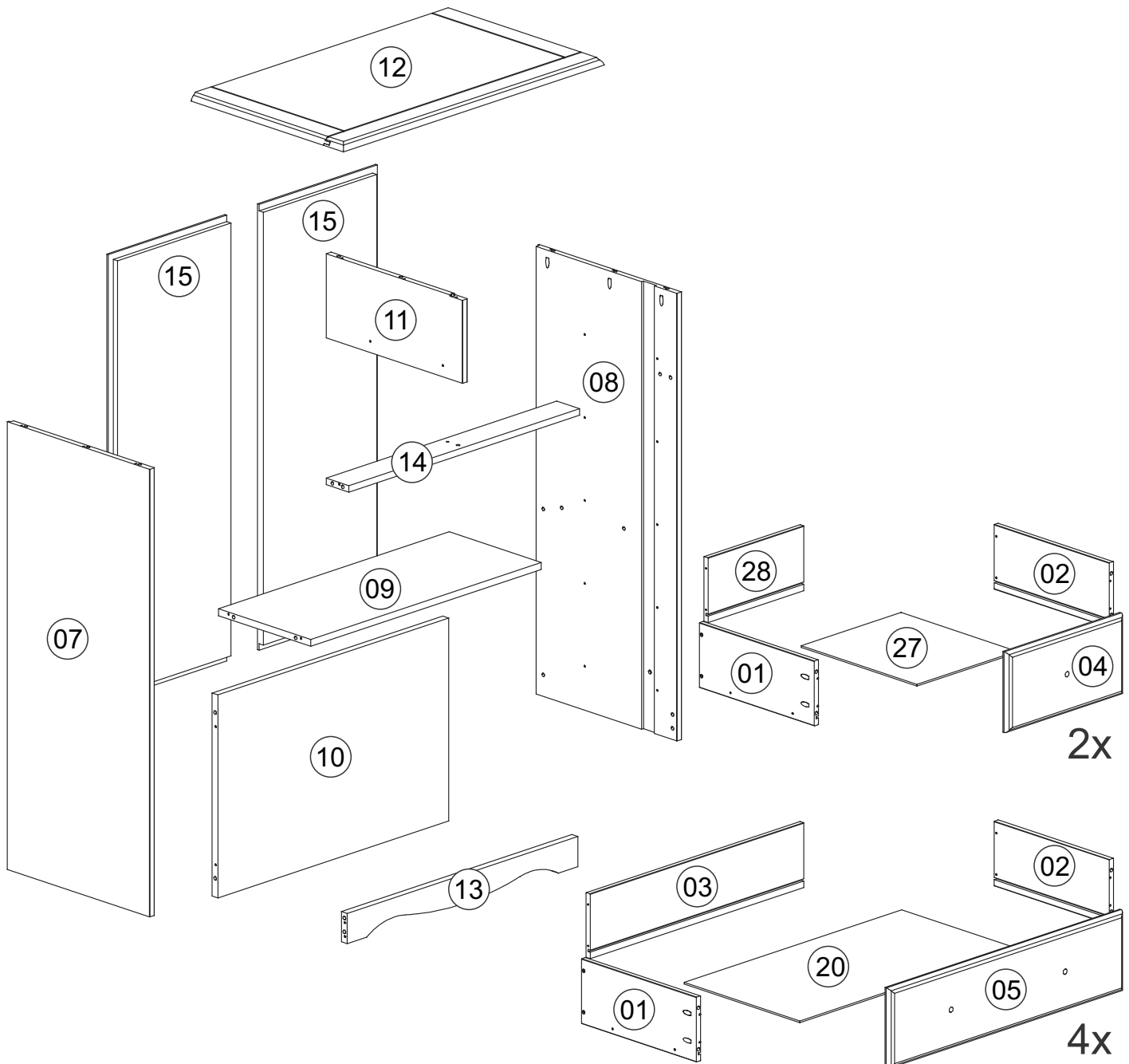
Before You Begin Assembly

- Carefully inspect the package contents. A complete parts checklist is provided below.
- If any parts are missing or damaged, please contact us for assistance.


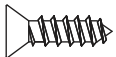
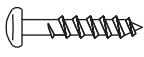
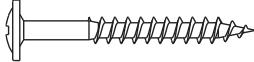


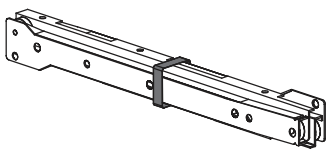
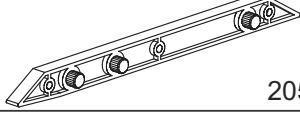
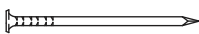
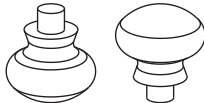
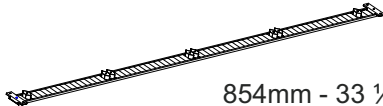
Assembly Tips


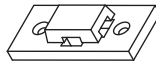

- Assemble the item on a flat, smooth surface. We recommend placing a blanket or protective covering underneath to prevent scratches.
- Use a power drill **only at a low-speed setting** to avoid damaging components.
- Assemble the product as close as possible to its final location to minimize the need for moving it later.
- Important: The hardware pack contains small parts that may pose a choking hazard.
Keep all small items out of reach of young children.

PARTS LAYOUT



Screws Are Illustrated at Actual Size for Accurate Reference

| | | |
|-----|--|------|
| A1 |  4,0x30 | 74+4 |
| A4 |  3,5x14 | 16+1 |
| A9 |  3,5x16 | 18+1 |
| A41 |  4,0x30 | 10+1 |
| B31 |  6,0x10 | 48+3 |
| C2 |  8,0x25 | 50+3 |
| E13 |  330mm - 13" | 06 |
| E14 | | 06 |
| E27 |  205mm - 8" | 06 |
| G1 |  10x10 | 22 |
| H1 |  | 10 |
| I6 |  854mm - 33 1/2" | 01 |

| TIPOVER RESTRAINT KIT | | |
|-----------------------|---|------|
| A47 |  3,0x20 | 02+1 |
| F8 |  47x20x9 | 02 |
| F15 |  300mm | 01 |

WARNING:
CHOKING HAZARD

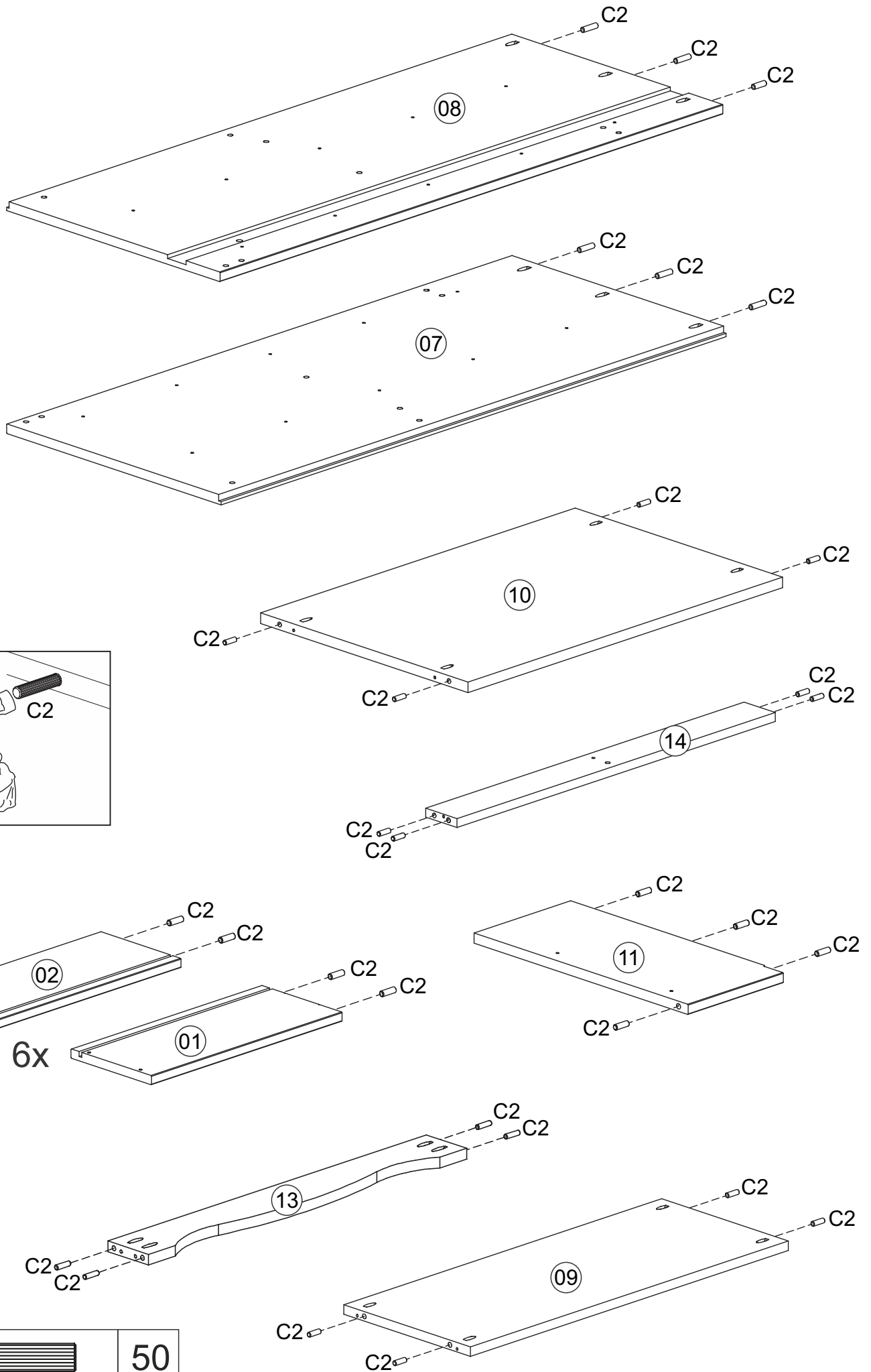
Contains small parts - choking hazard.
Adult supervision is required during assembly.
Not suitable for children under 3 years of age.

WARNING:

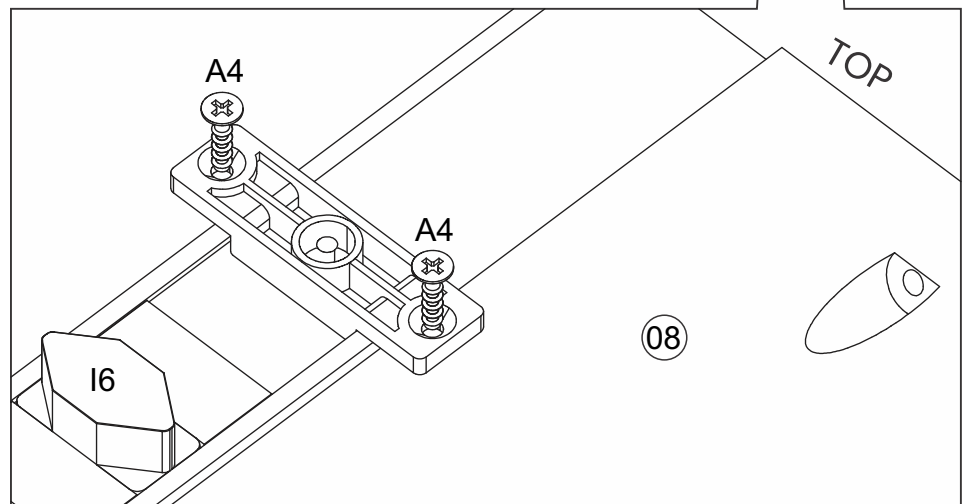
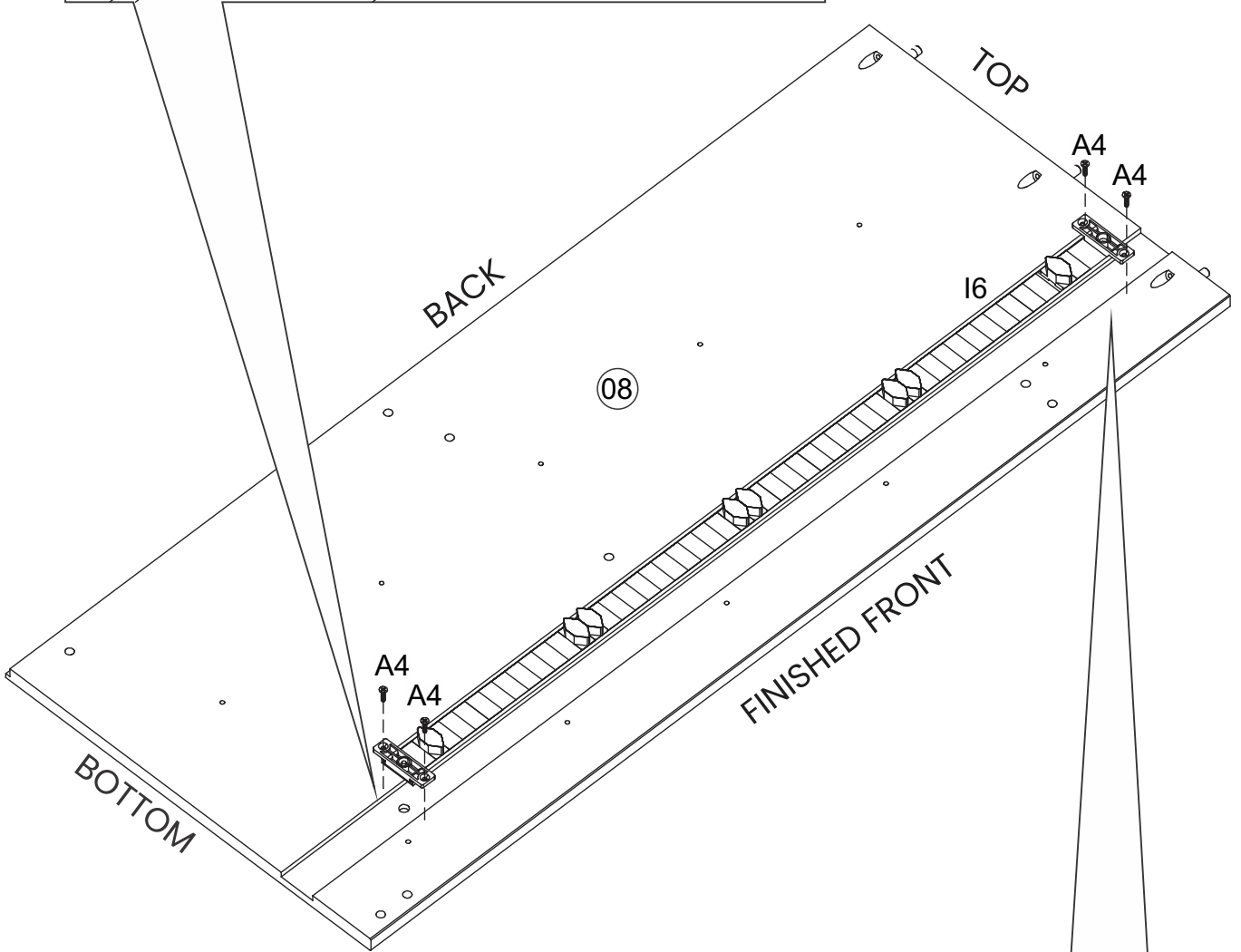
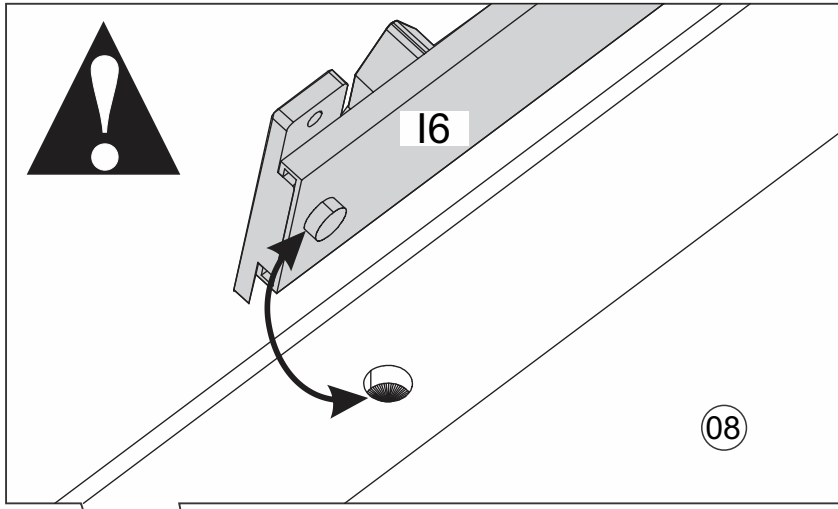
Important Safety Notice:



This furniture includes tip-over prevention hardware, which **MUST** be securely attached to the wall as outlined in the assembly instructions. Failure to do so may result in serious injury or death.

01)

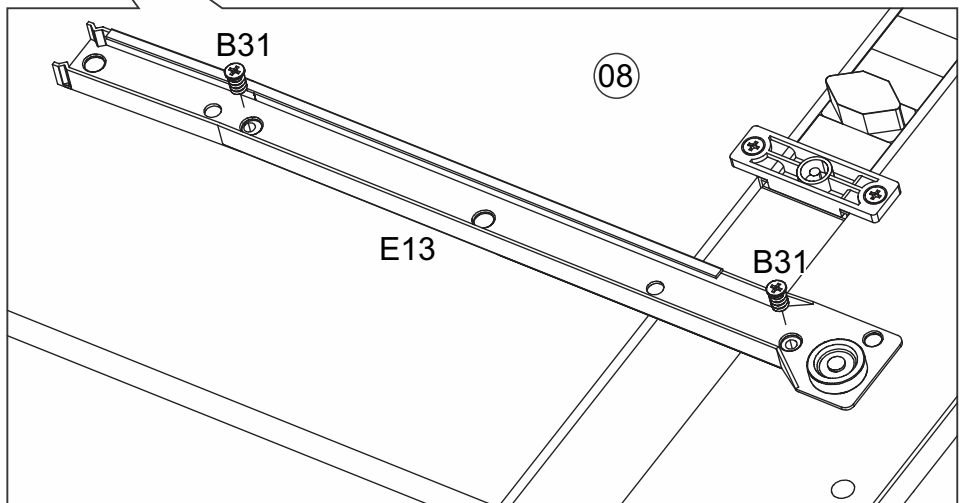
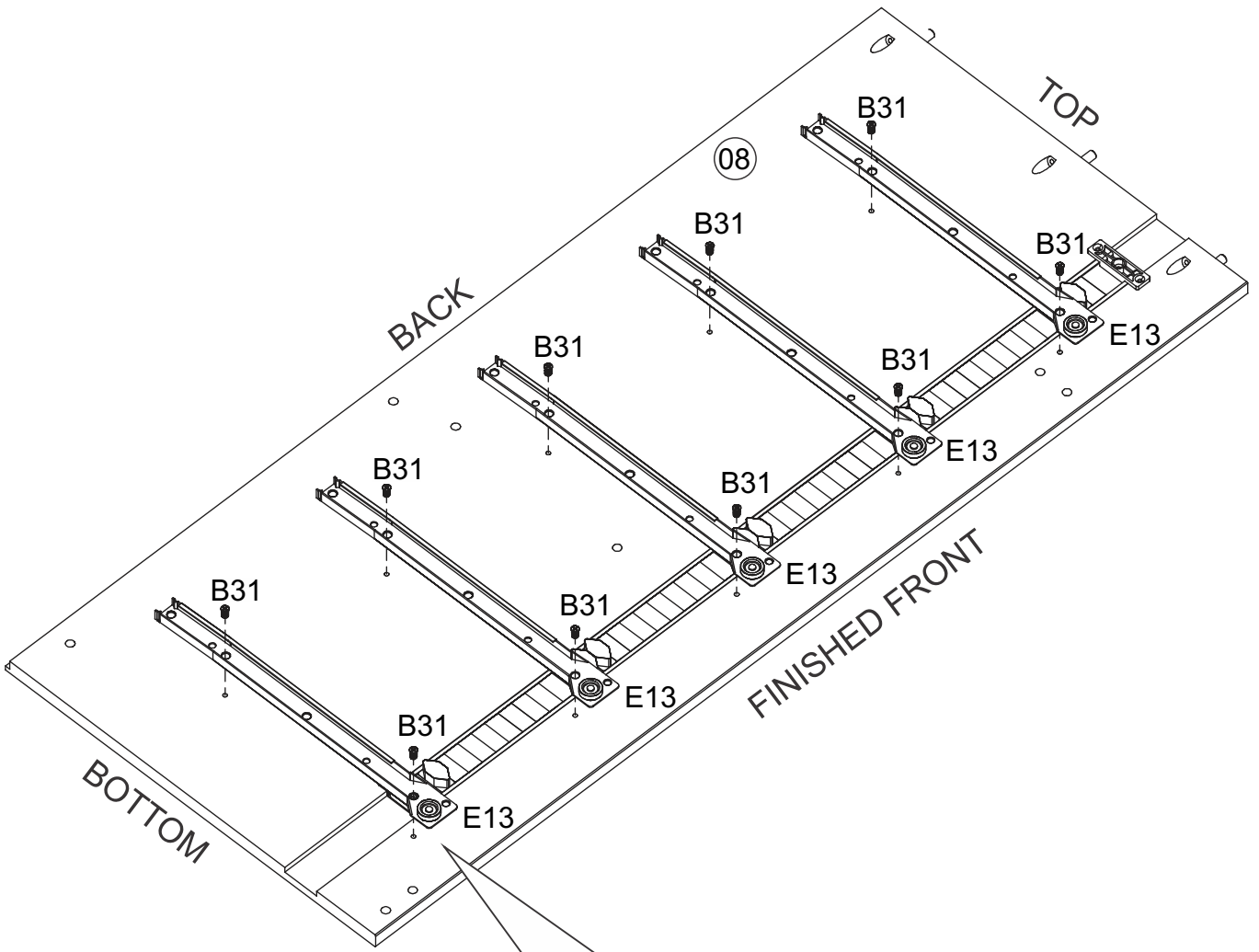
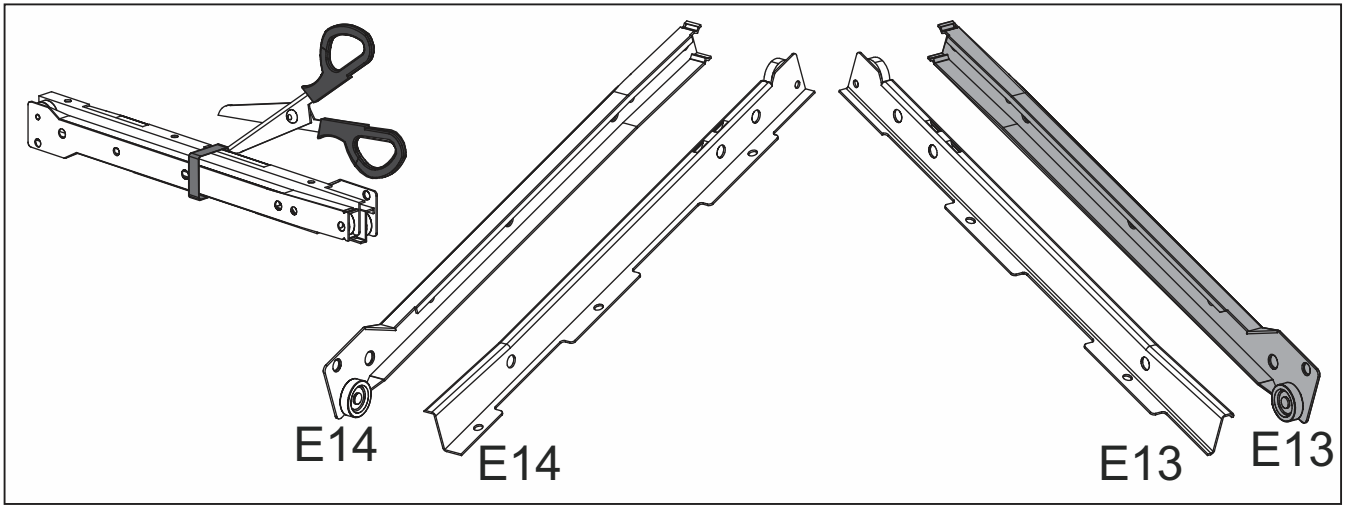



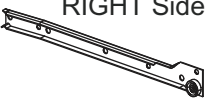
02)



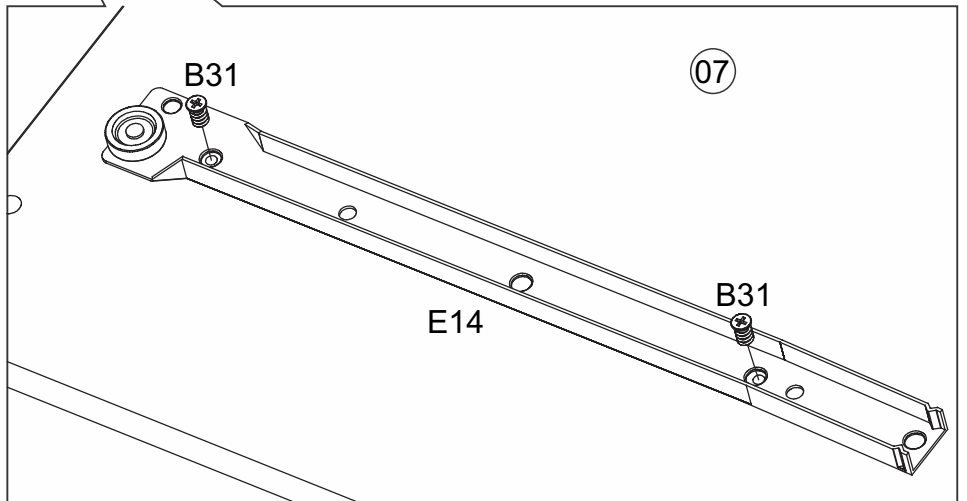
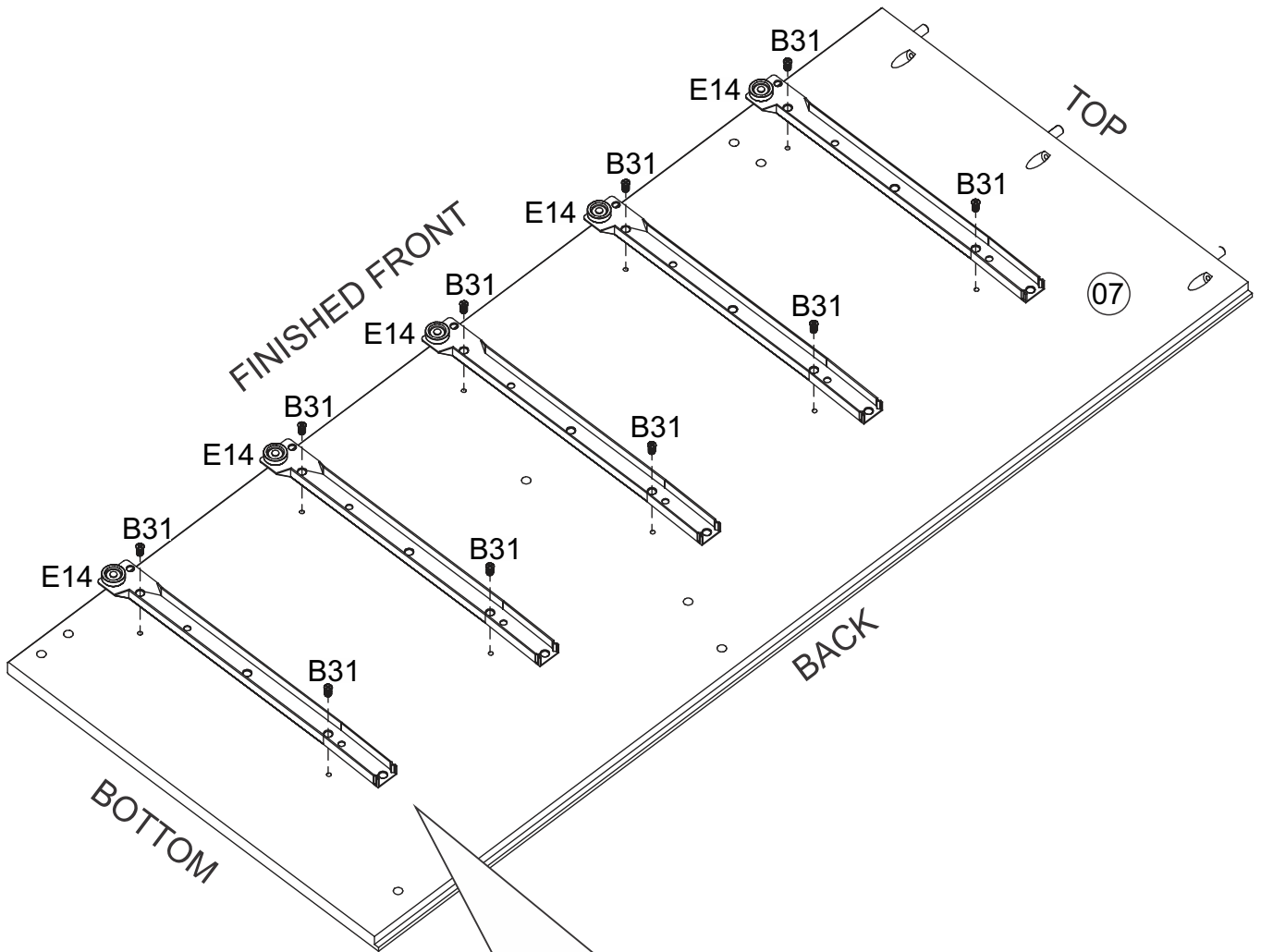
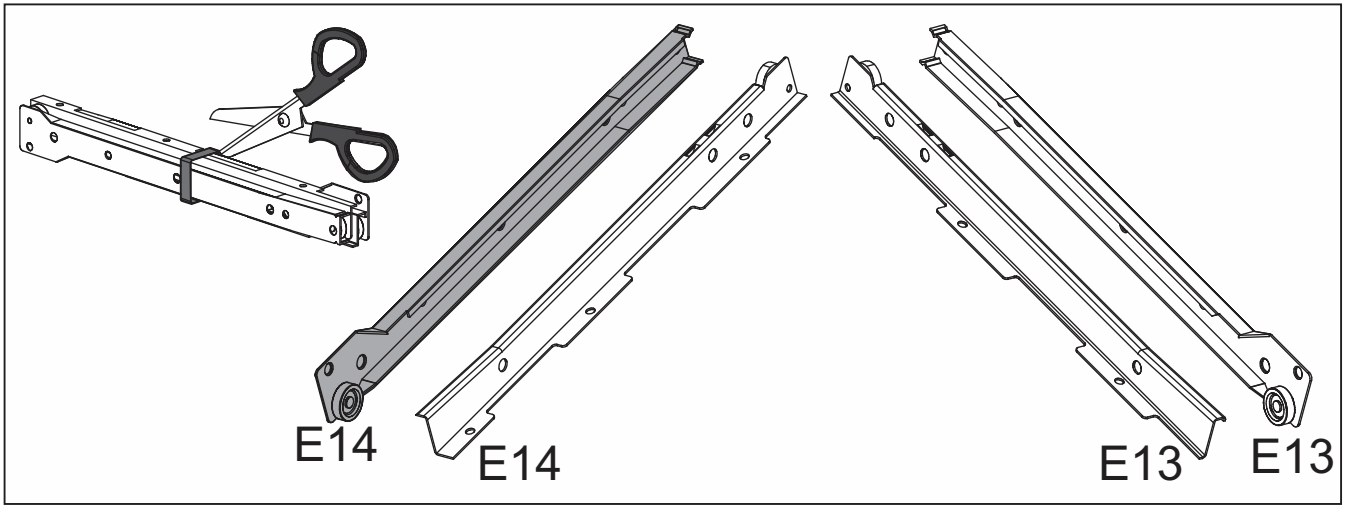
| | | |
|----|---|----|
| A4 |  3,5x14 | 04 |
| I6 |  | 01 |


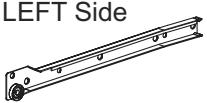
03)



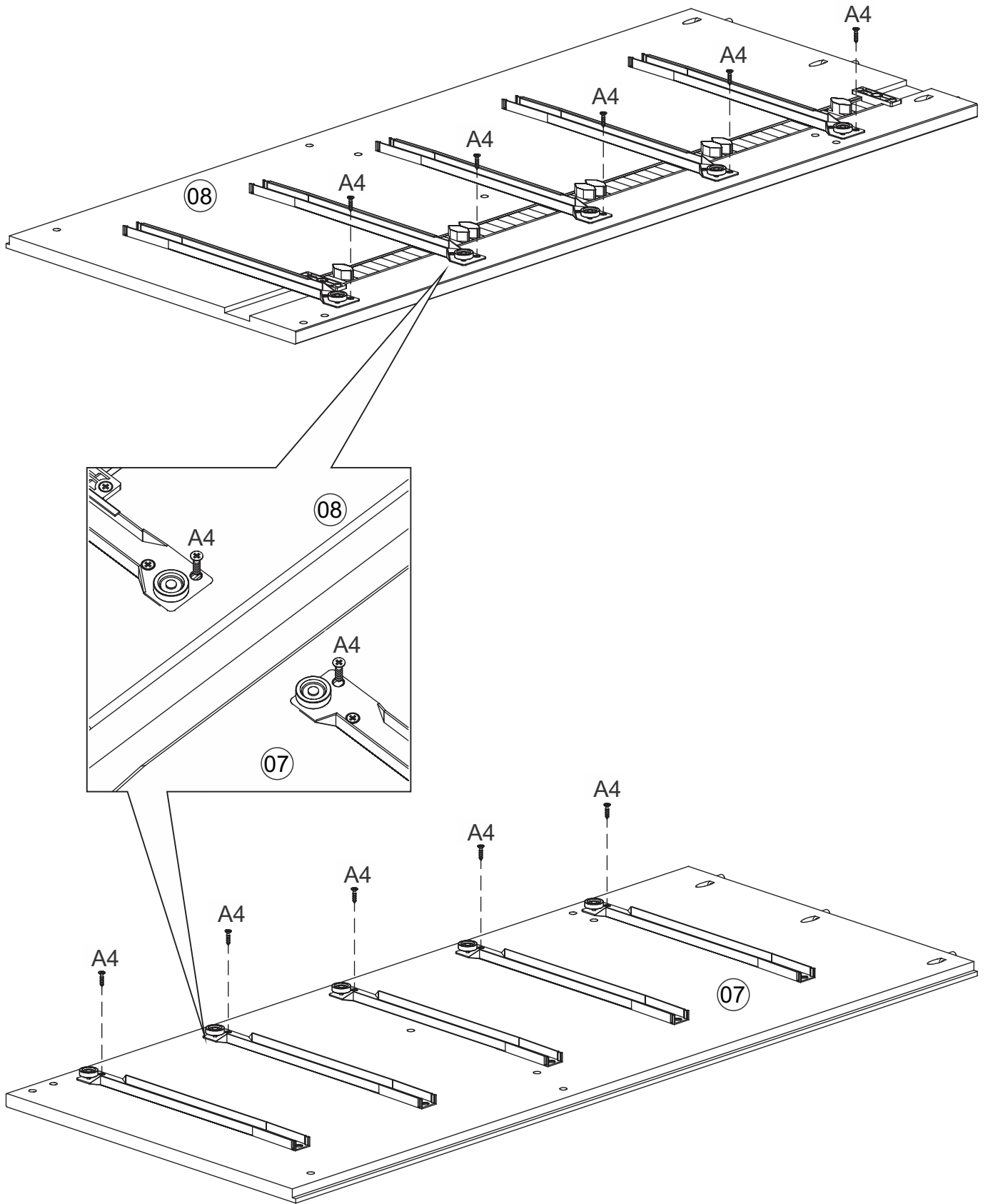
| | | |
|-----|---|----|
| B31 |  6,0x10 | 10 |
| E13 |  RIGHT Side | 05 |


04)



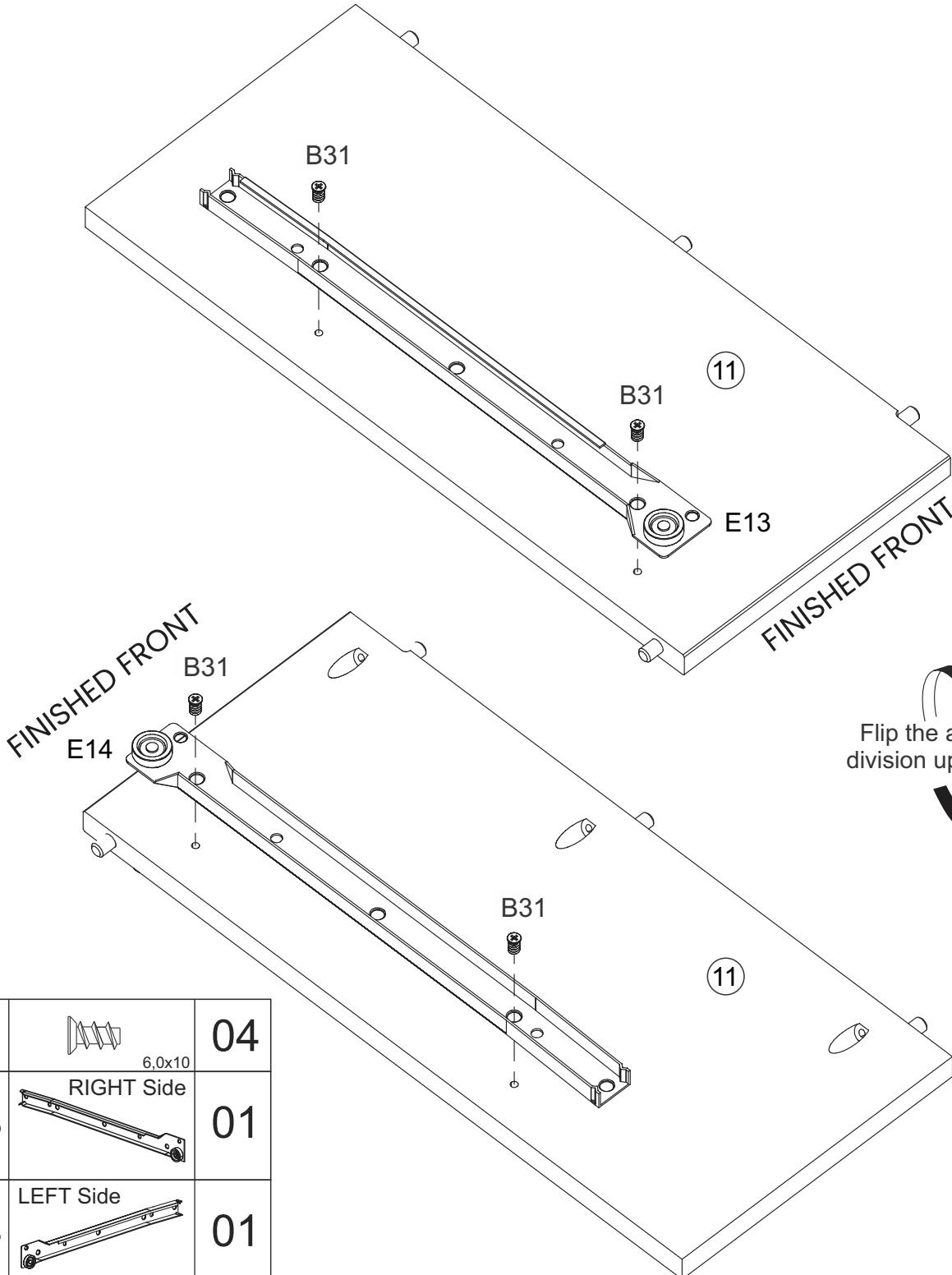
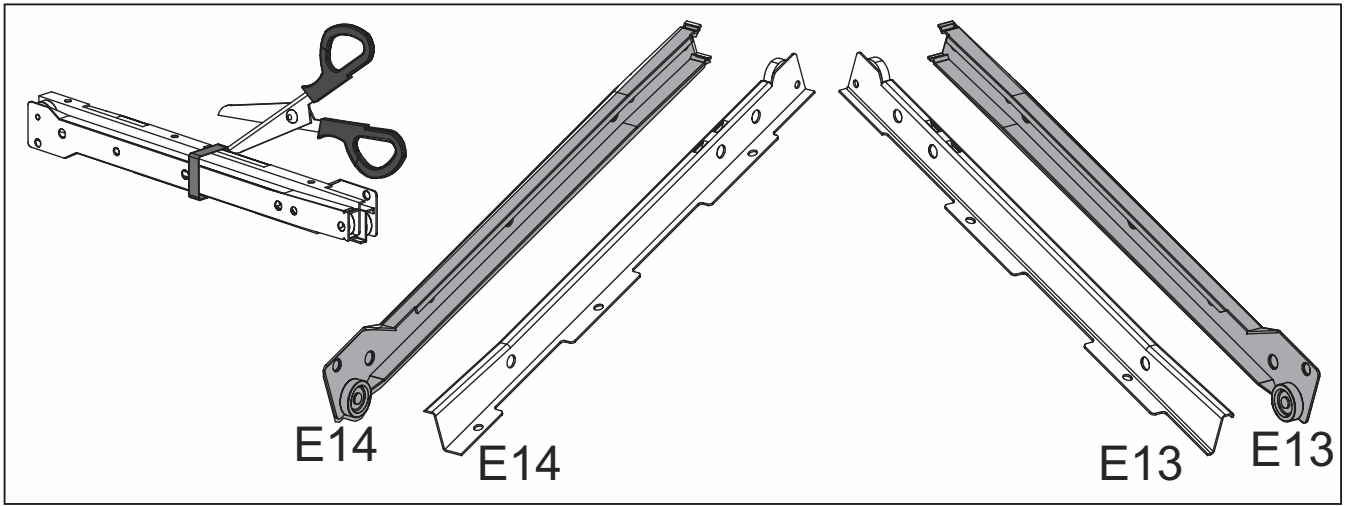
| | | |
|-----|--|----|
| B31 |  6,0x10 | 10 |
| E14 | LEFT Side  | 05 |

05)



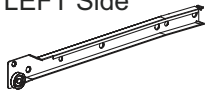


| | | |
|----|---|----|
| A4 |  3,5x14 | 10 |
|----|---|----|

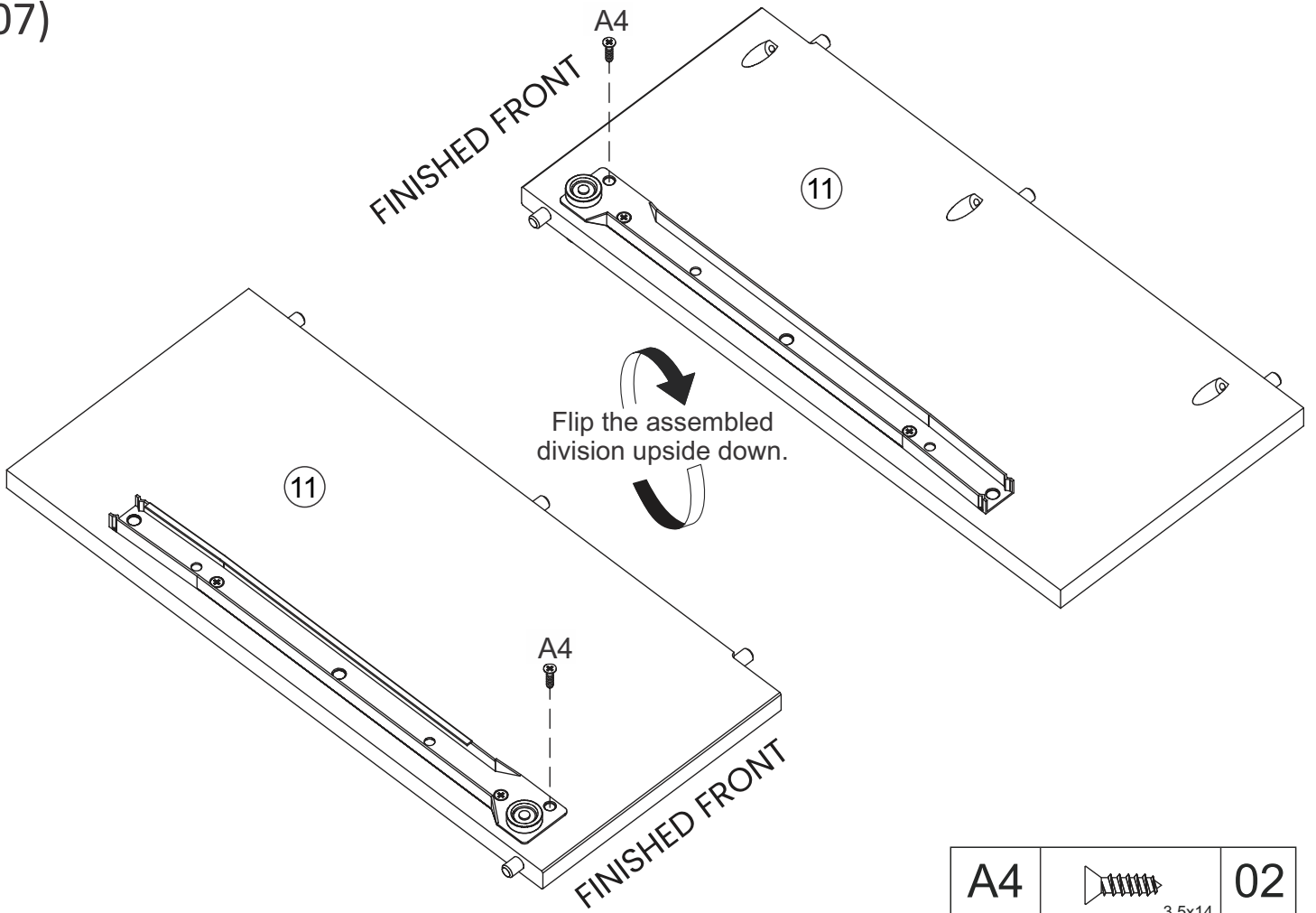
06)




Flip the assembled division upside down.

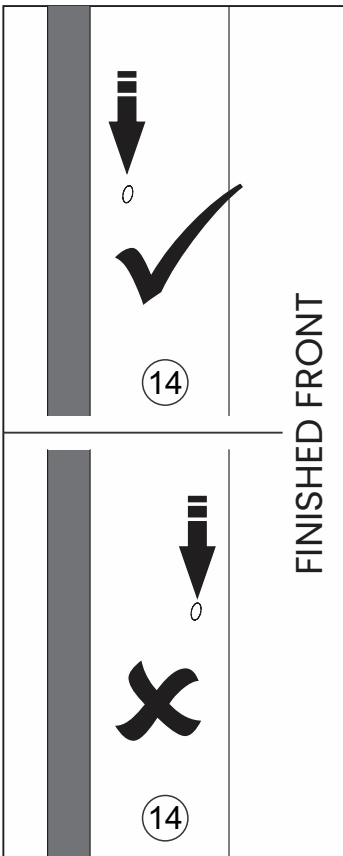
| | | |
|-----|---|----|
| B31 |  6.0x10 | 04 |
| E13 | RIGHT Side  | 01 |
| E14 | LEFT Side  | 01 |

07)

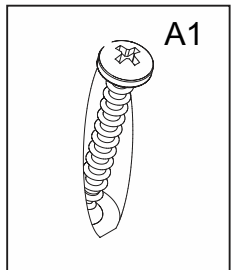
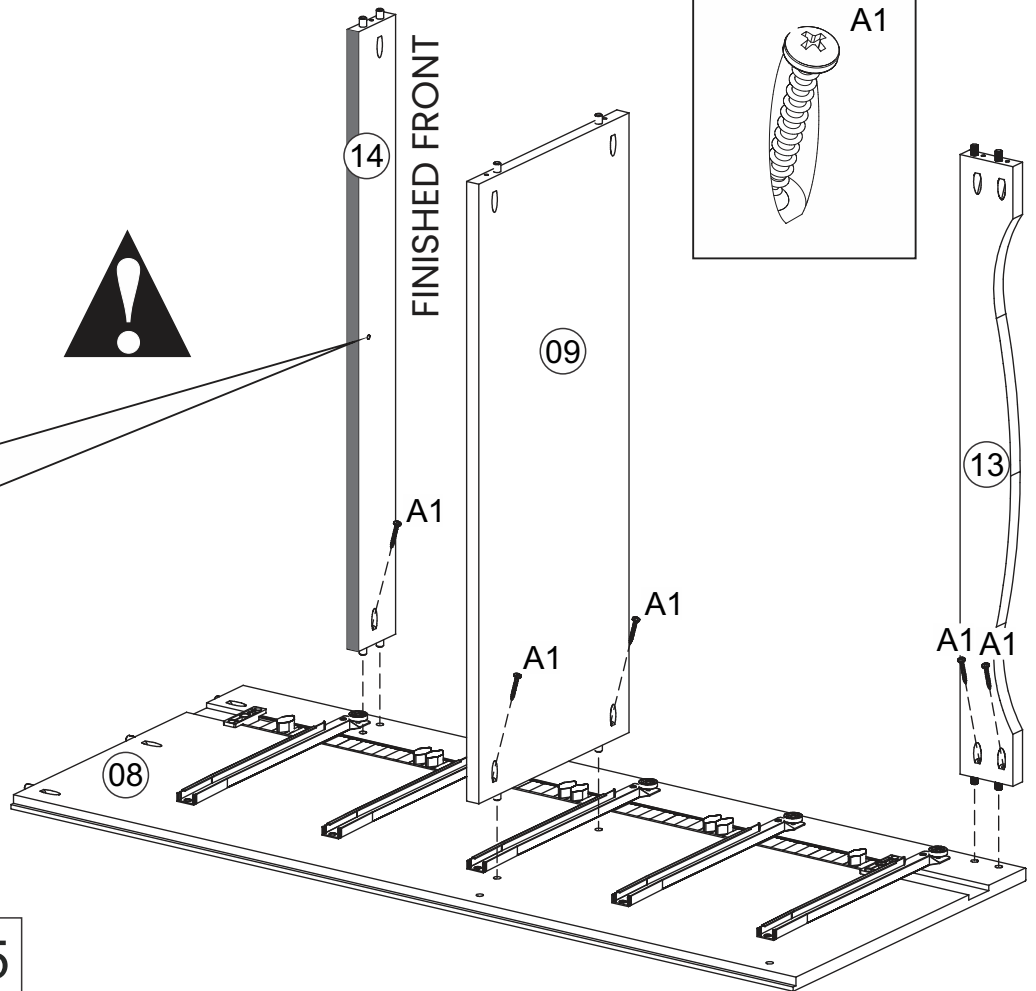


| | | |
|--------|---|----|
| A4 |  | 02 |
| 3,5x14 | | |


08)



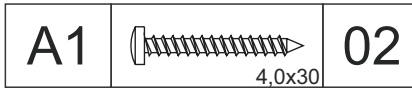
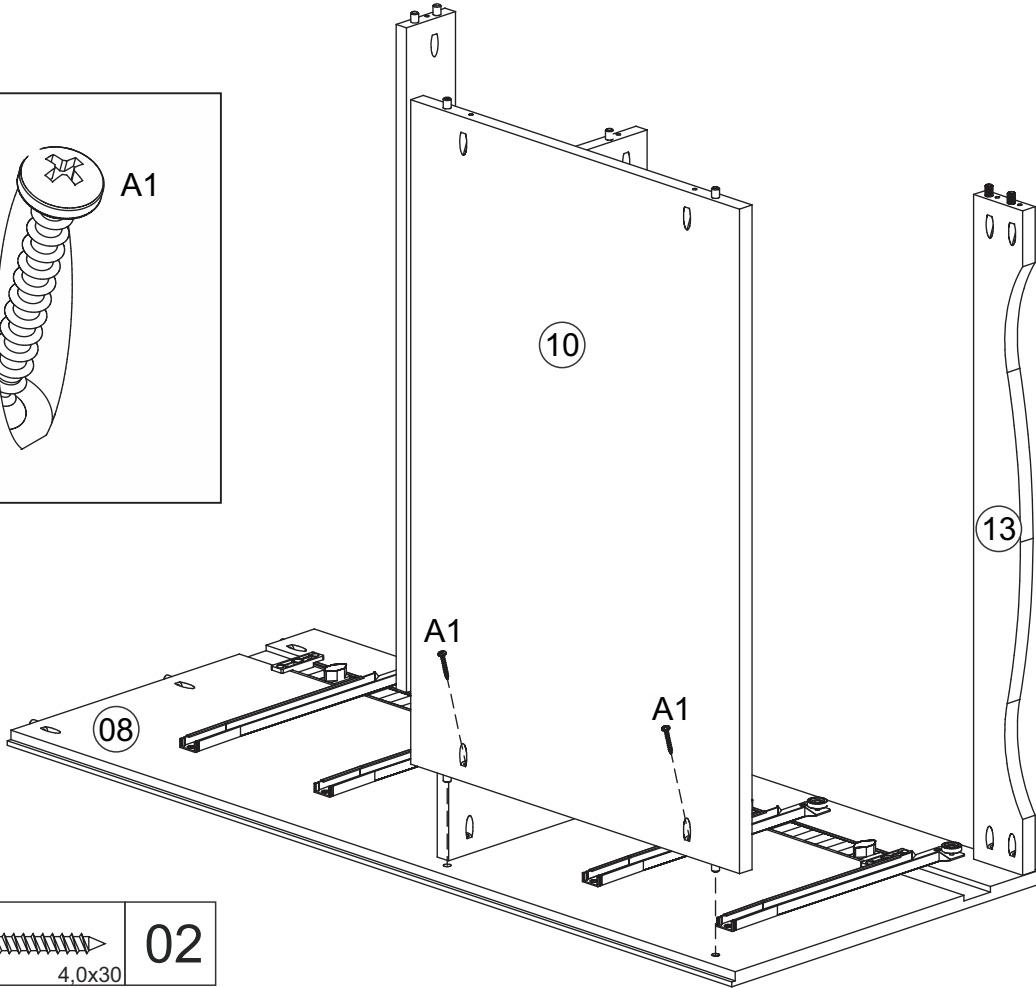
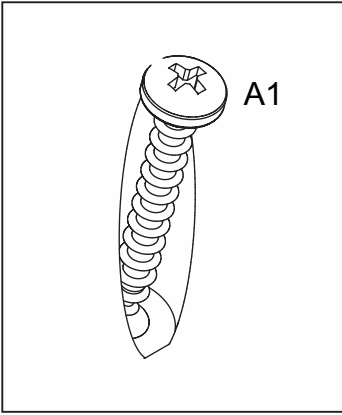
FINISHED FRONT



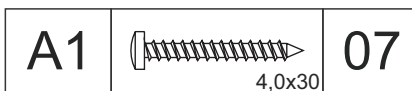
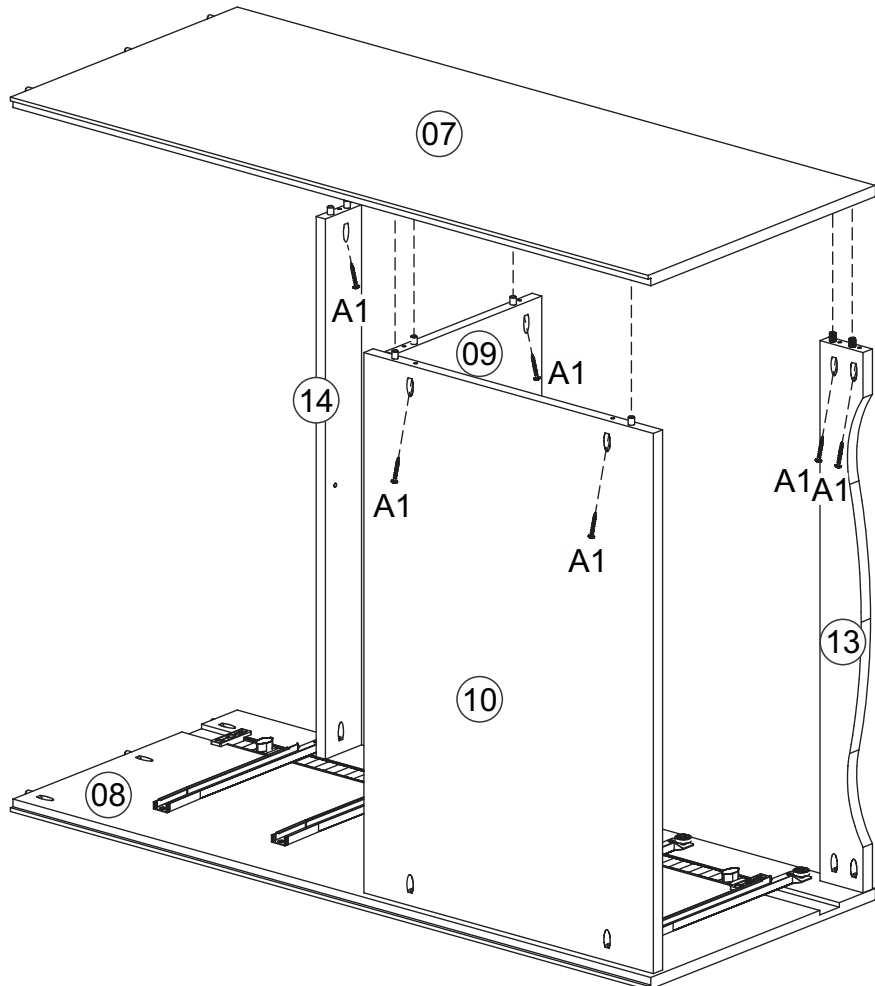
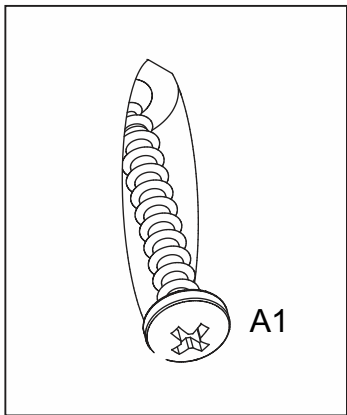
A1

| | | |
|--------|---|----|
| A1 |  | 05 |
| 4,0x30 | | |

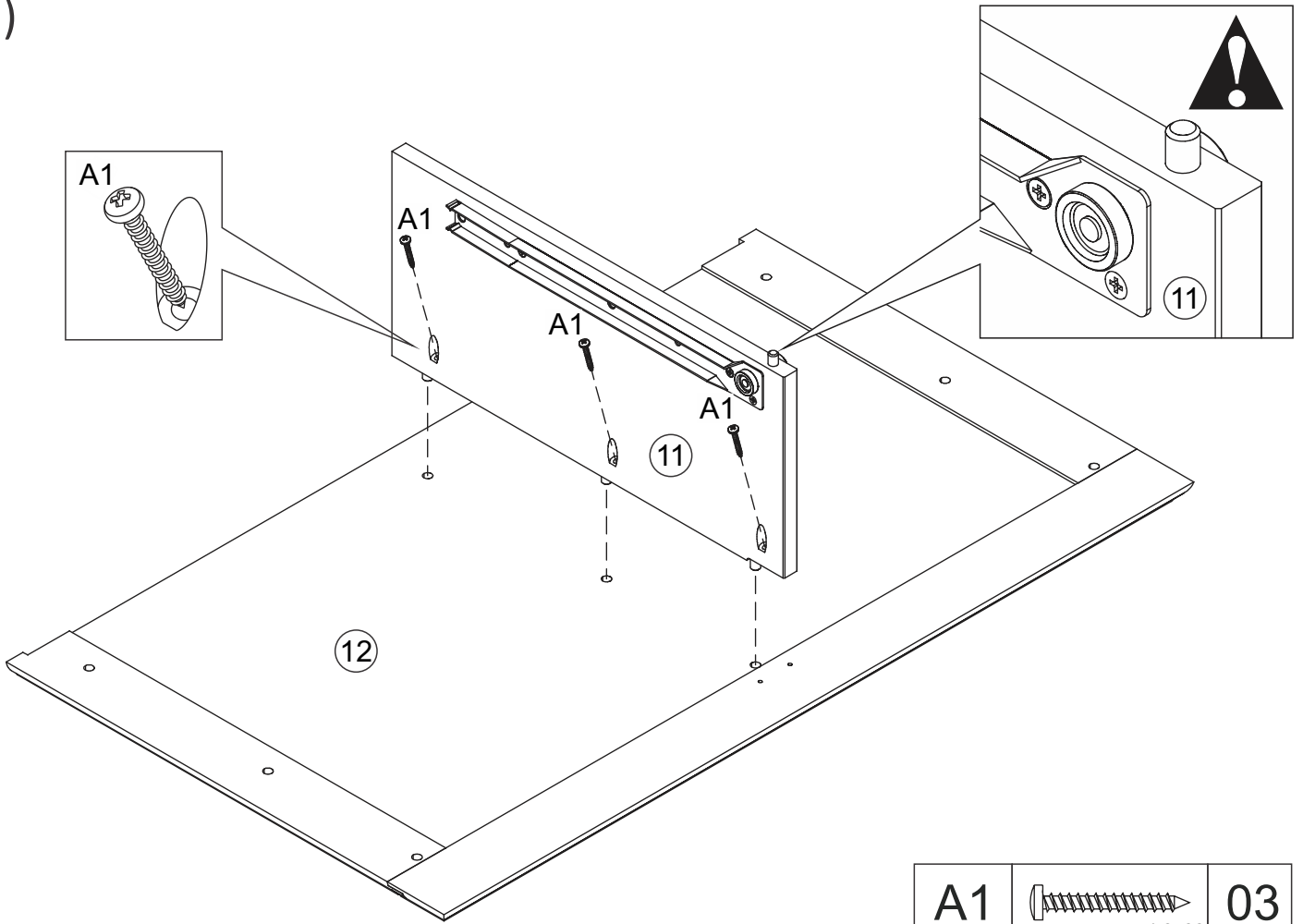
09)



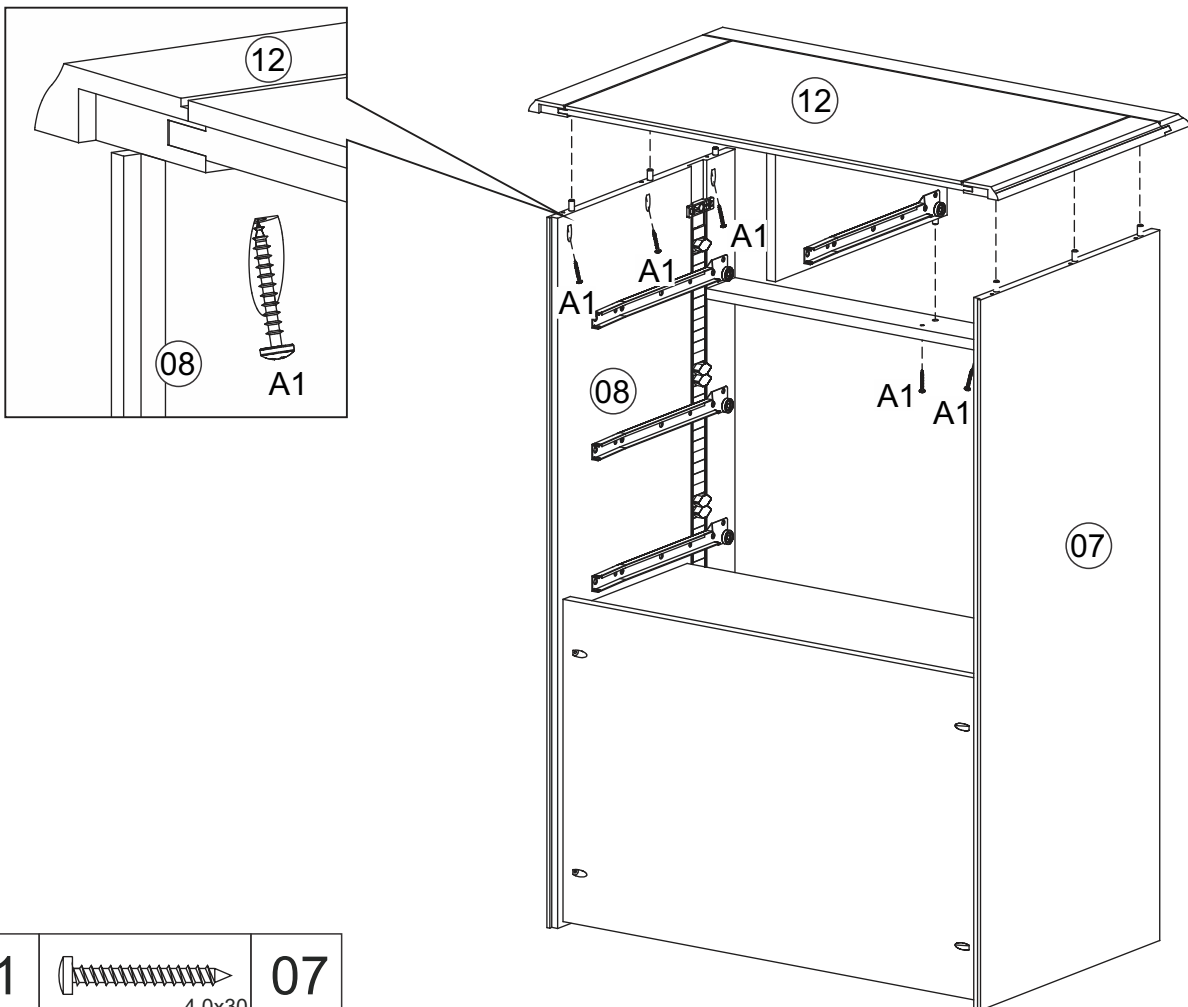
10)



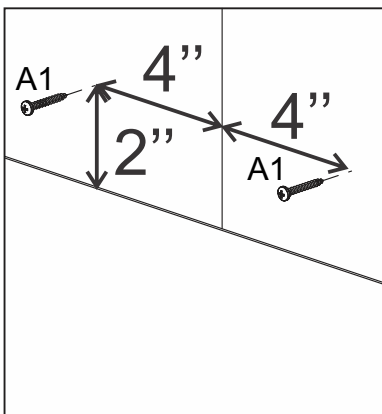
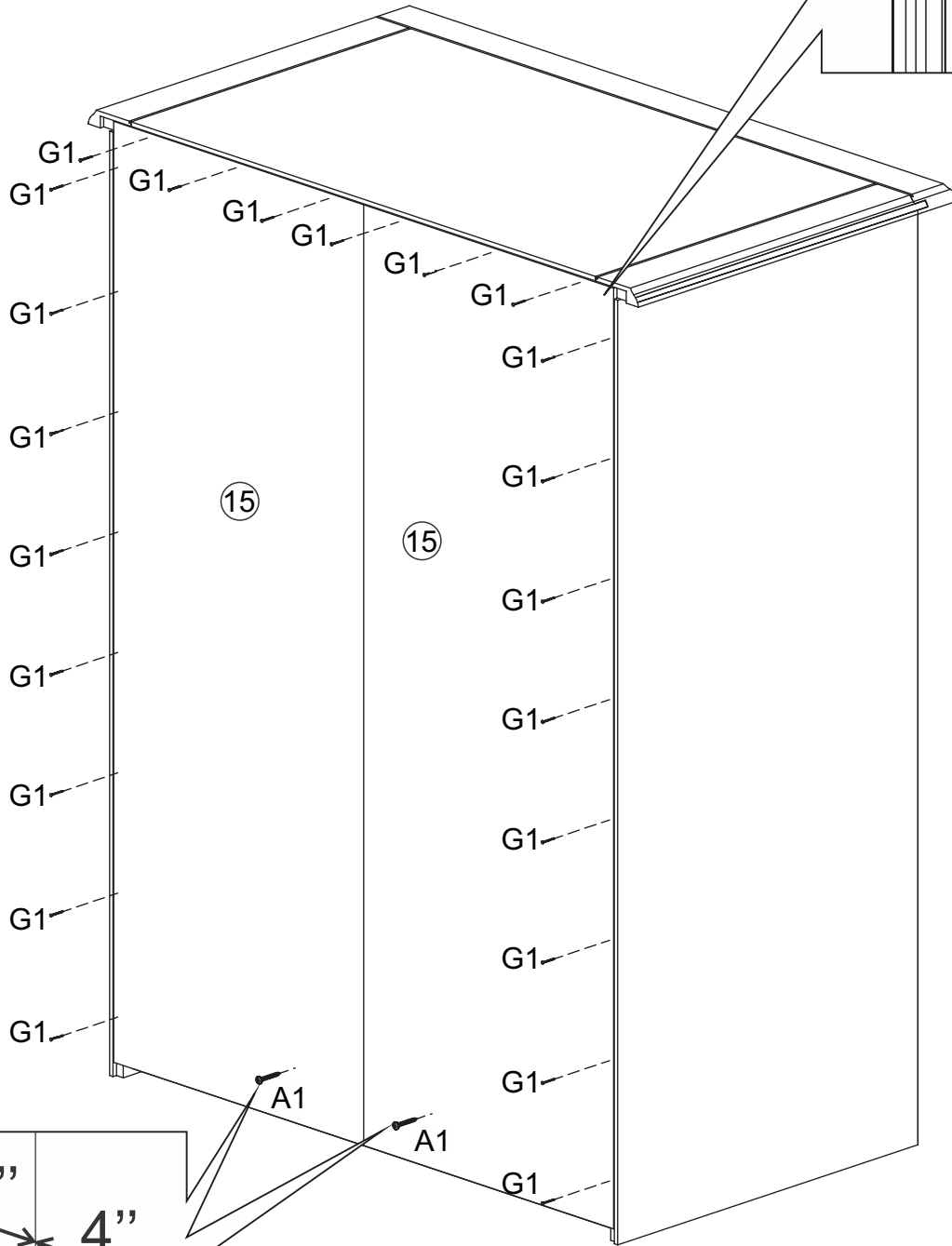
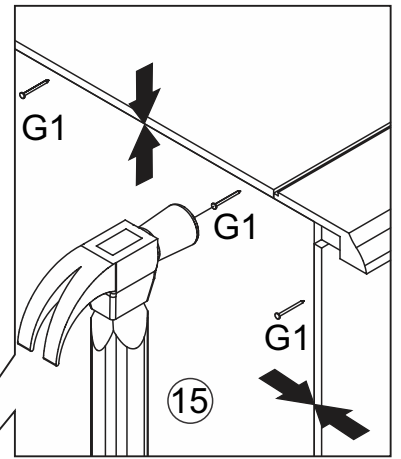
11)





12)

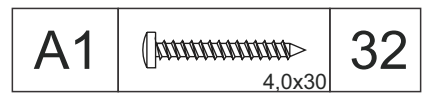
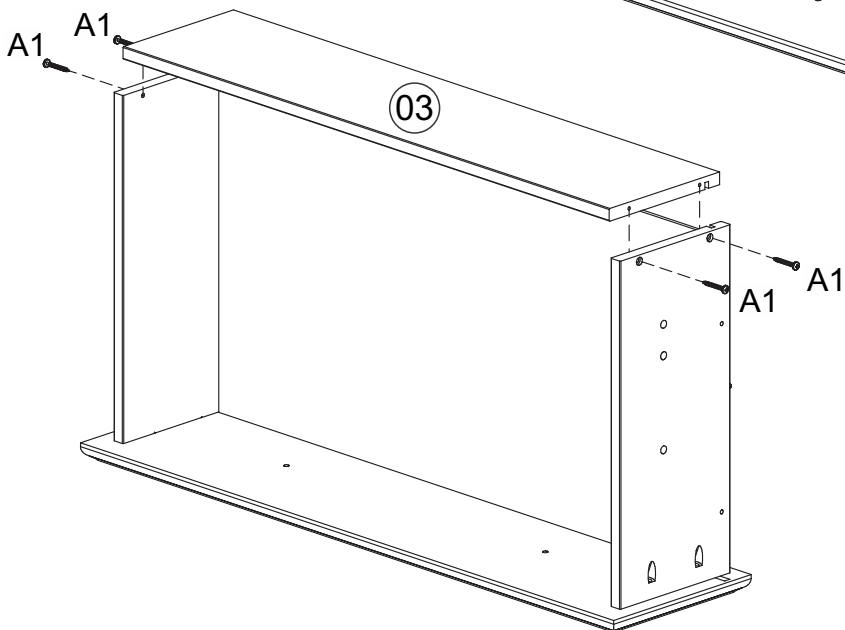
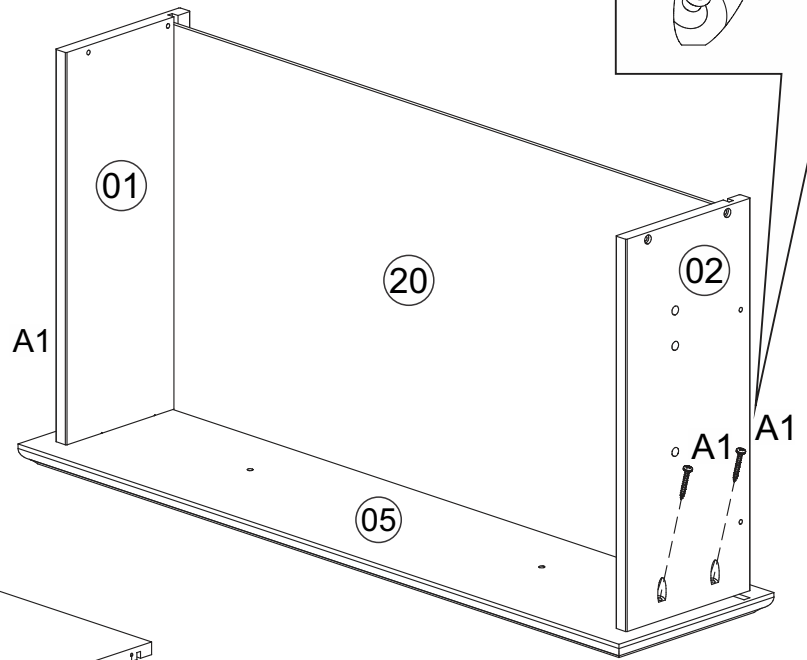
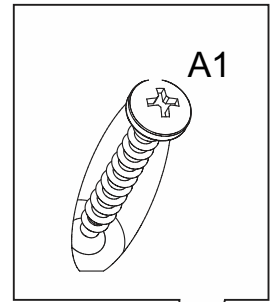
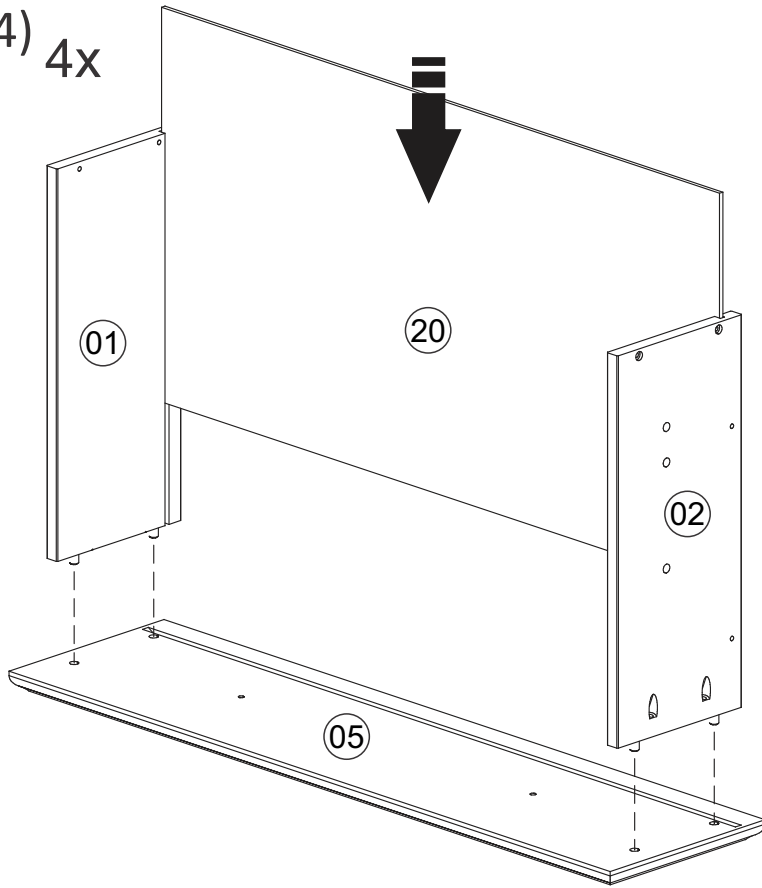


13)

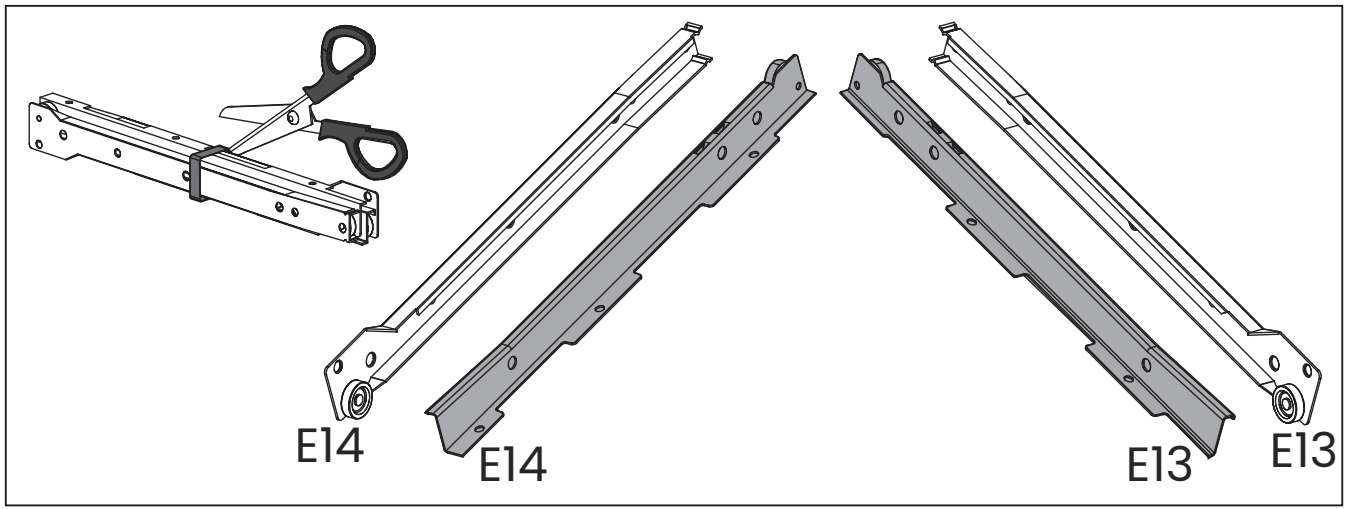


| | | |
|----|---|----|
| A1 |  4,0x30 | 02 |
| G1 |  10x10 | 22 |

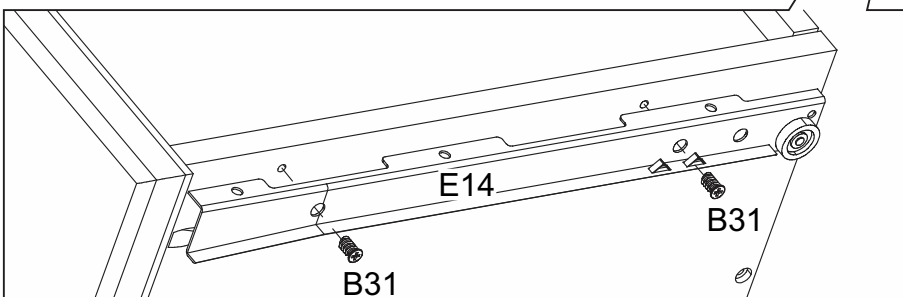
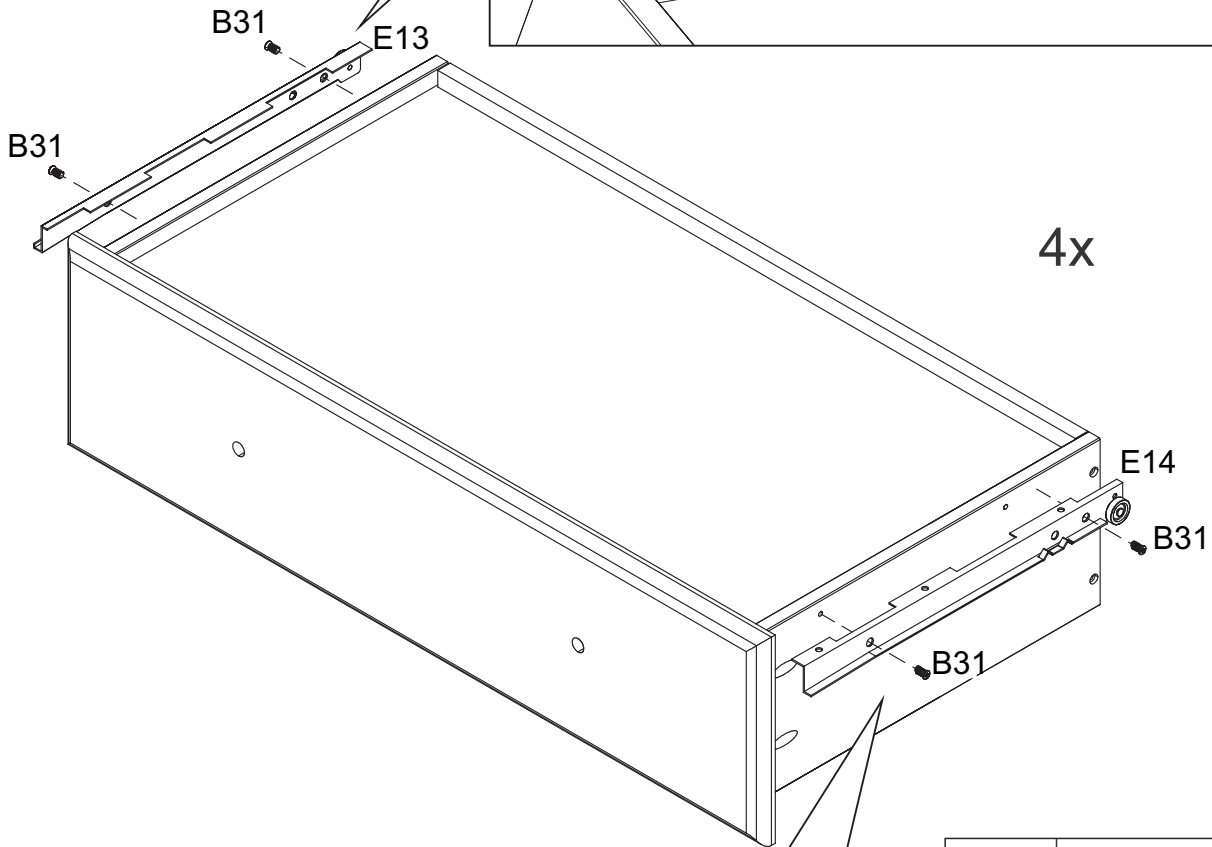
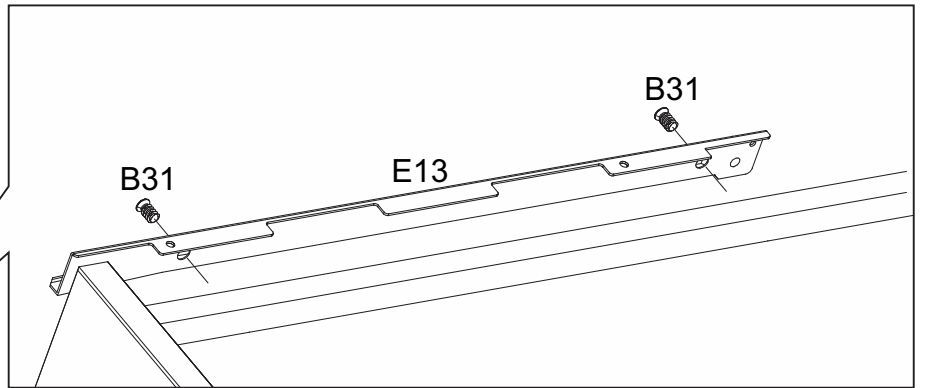
14) 4x



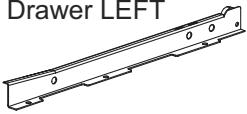


15)

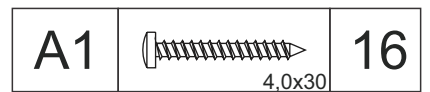
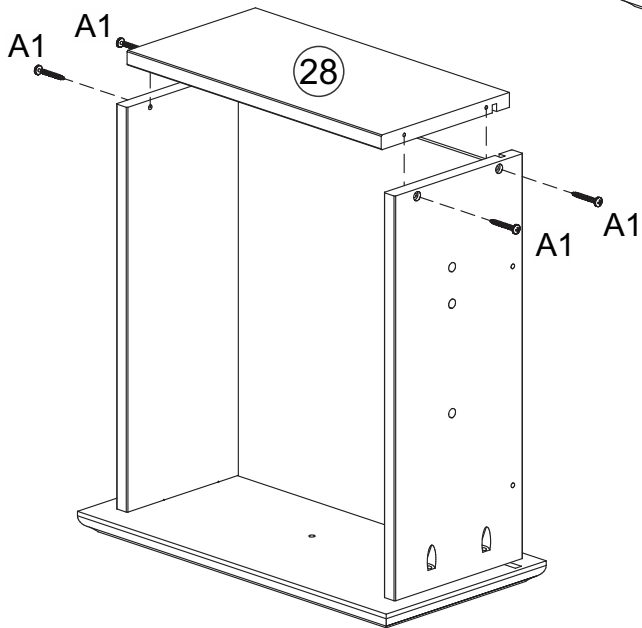
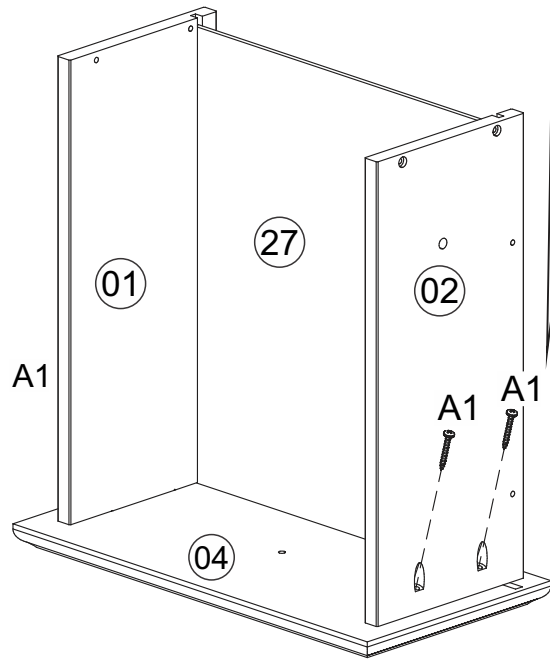
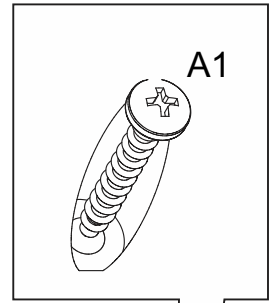
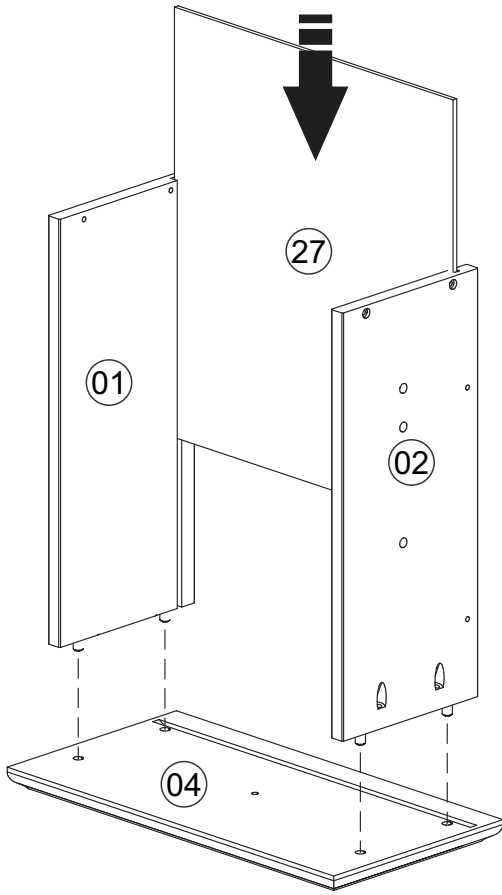


Flip the assembled drawer upside down to install glides.

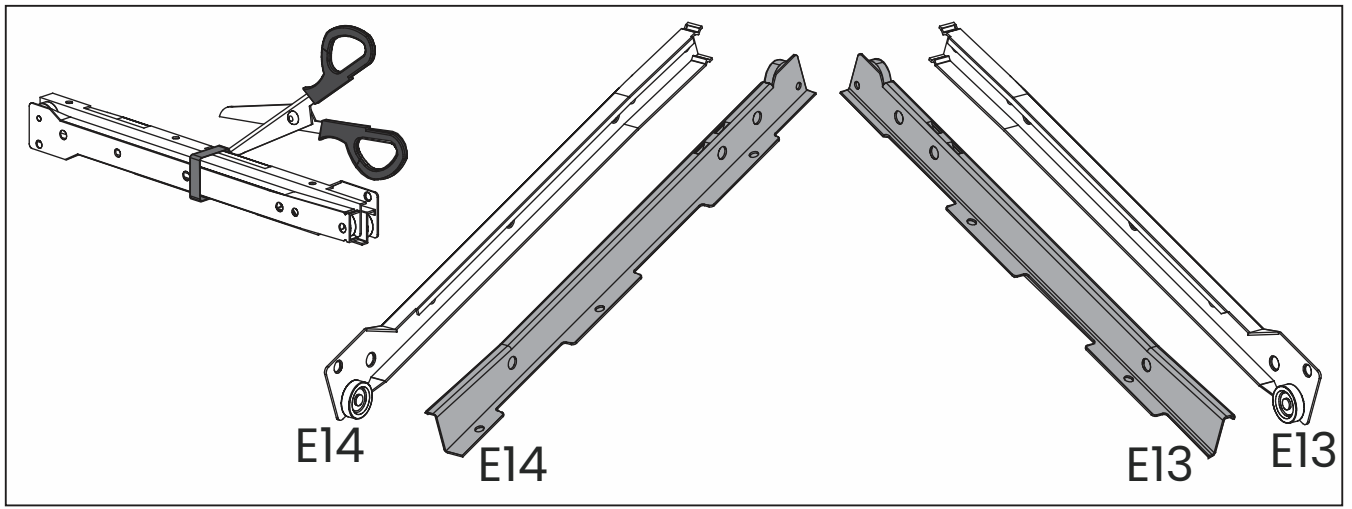


| | | |
|-----|---|----|
| B31 |  6.0x10 | 16 |
| E13 | Drawer RIGHT  | 04 |
| E14 | Drawer LEFT  | 04 |

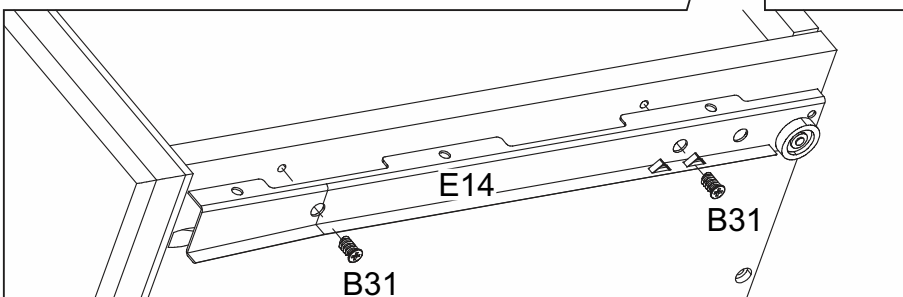
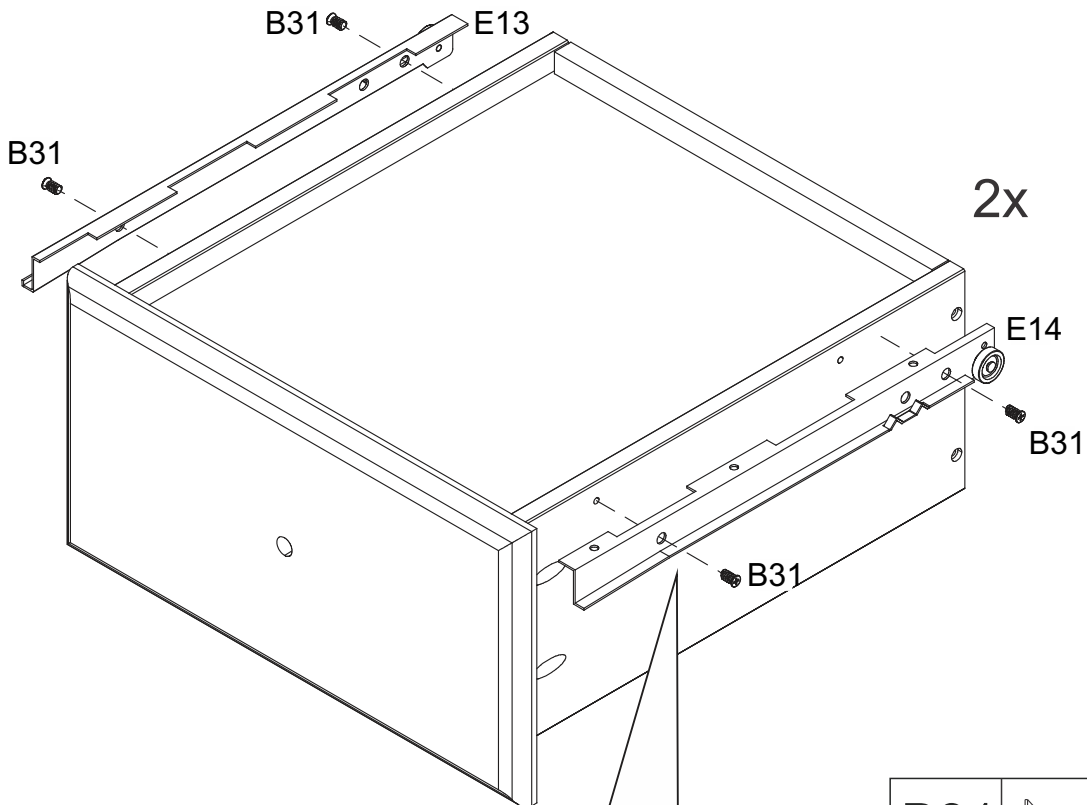
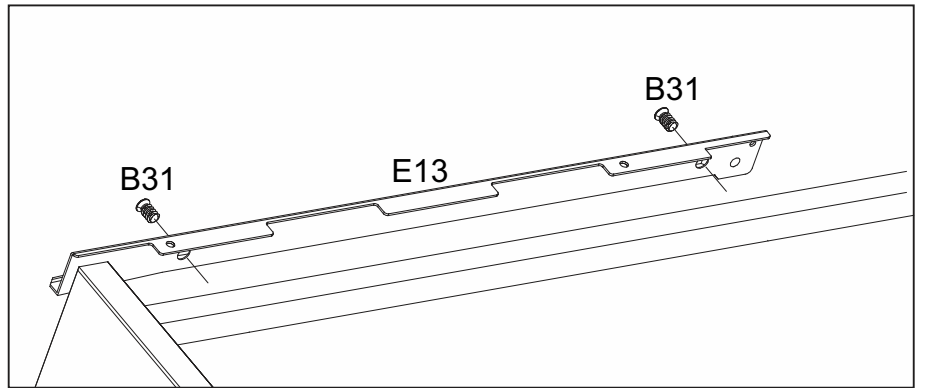
16) 2x



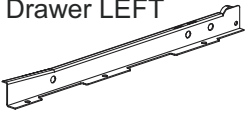


17)

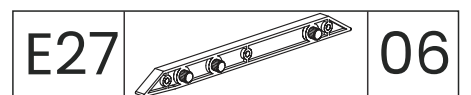
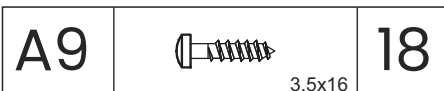
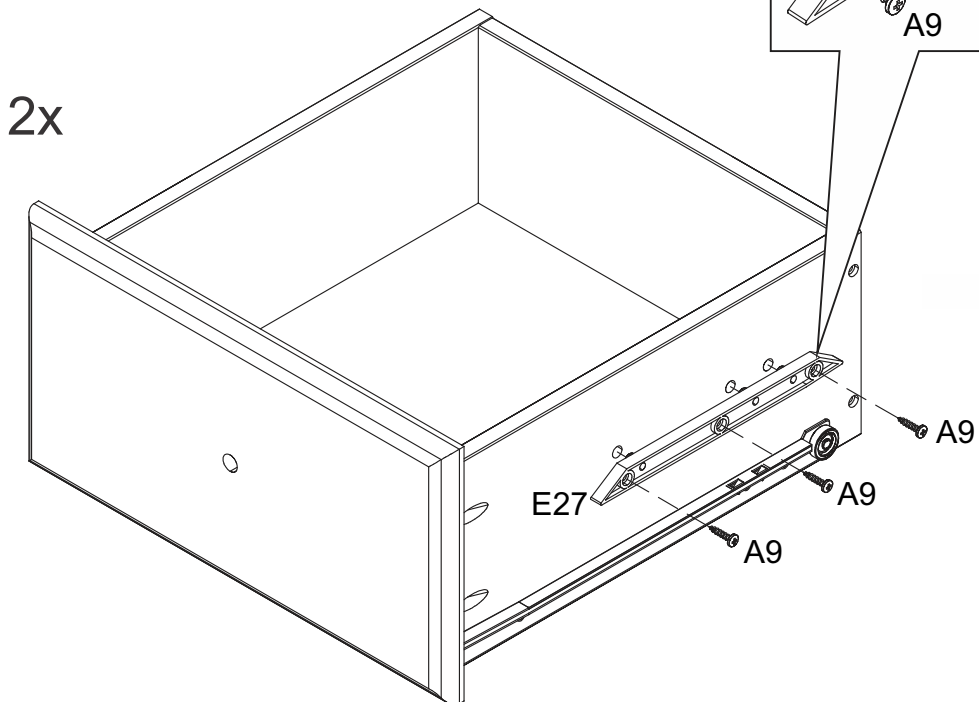
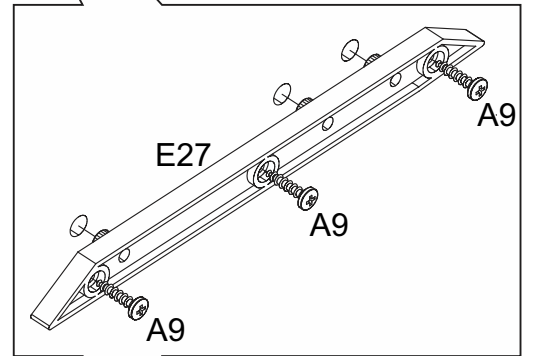
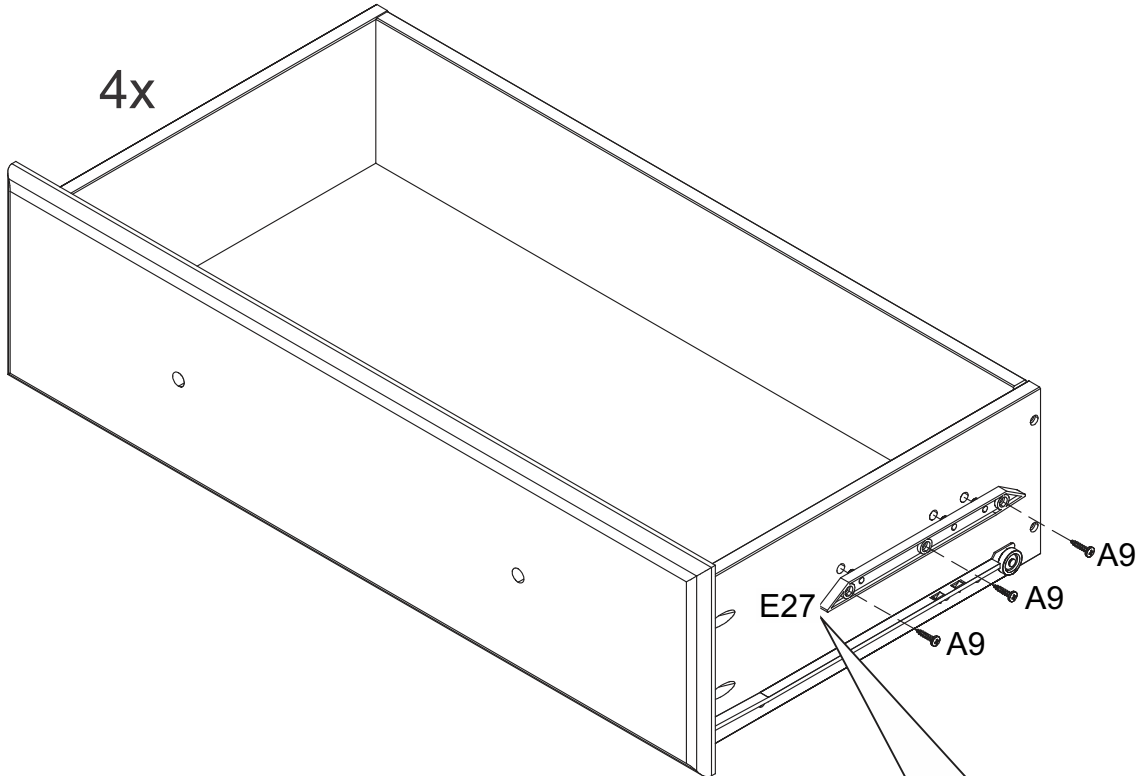


Flip the assembled drawer upside down to install glides.

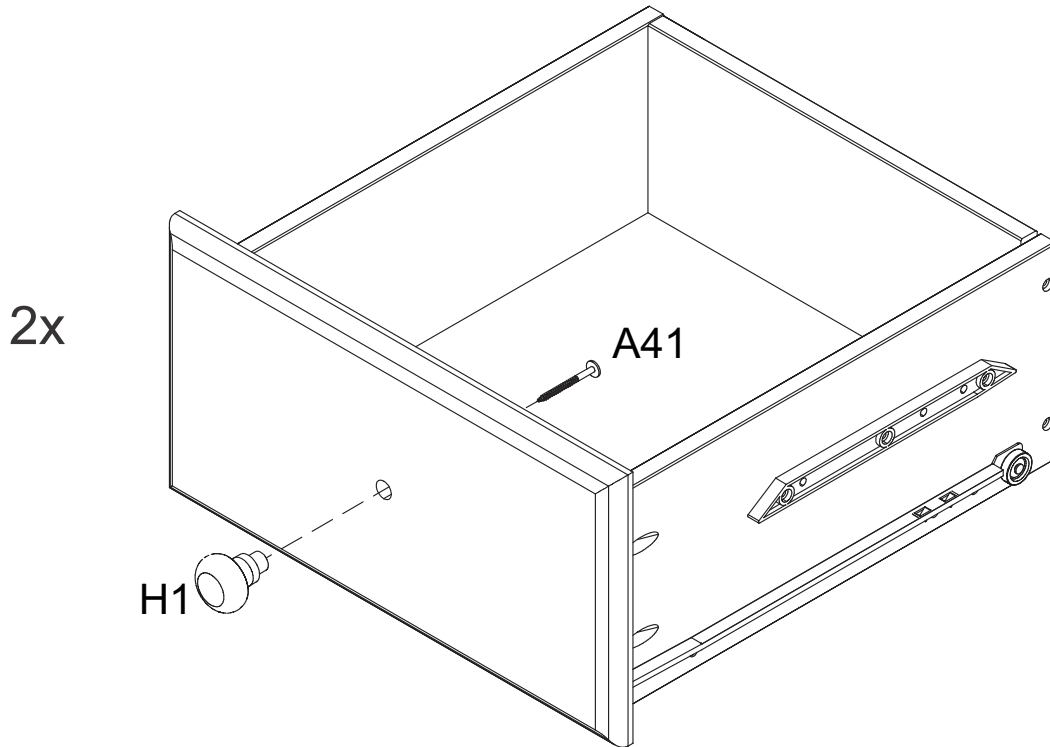
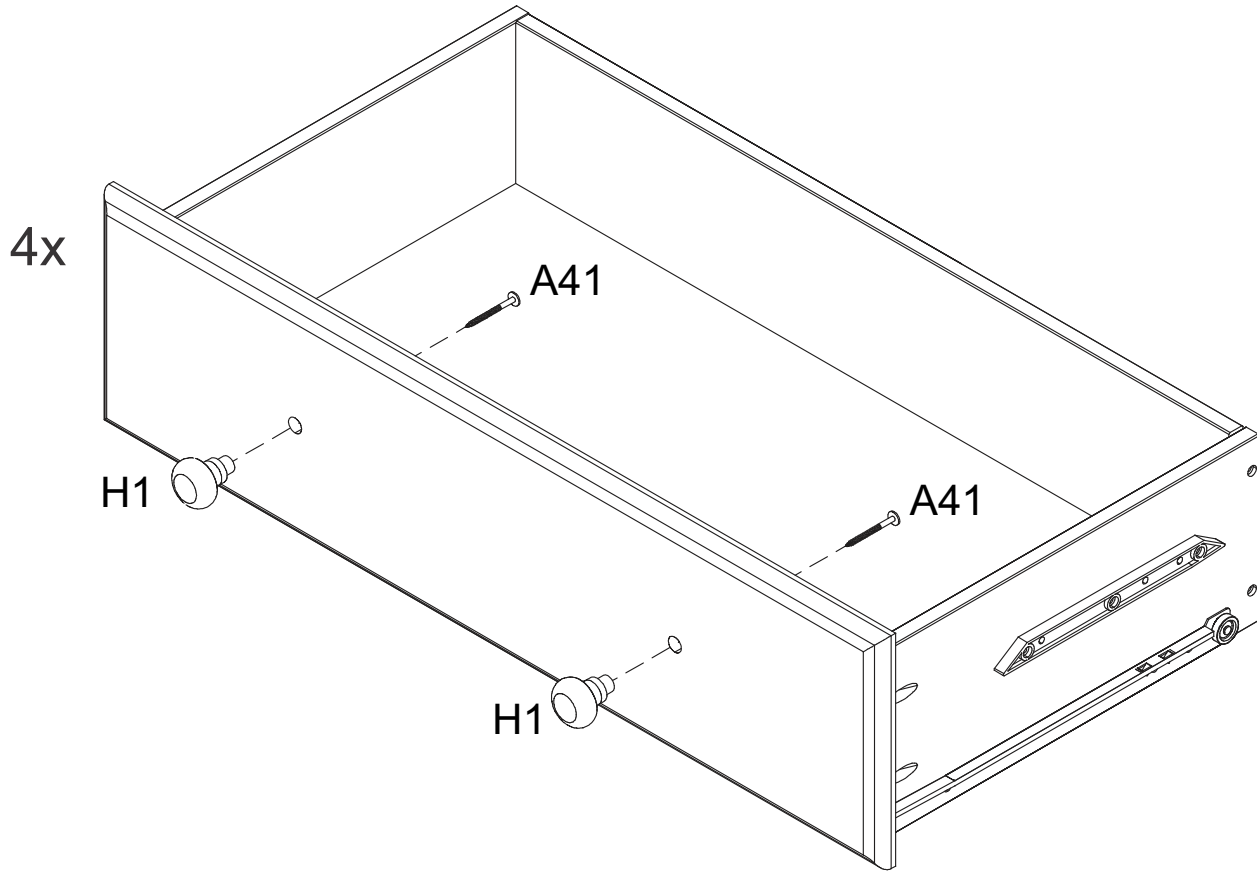




| | | |
|-----|---|----|
| B31 |  6,0x10 | 08 |
| E13 | Drawer RIGHT  | 02 |
| E14 | Drawer LEFT  | 02 |

18)



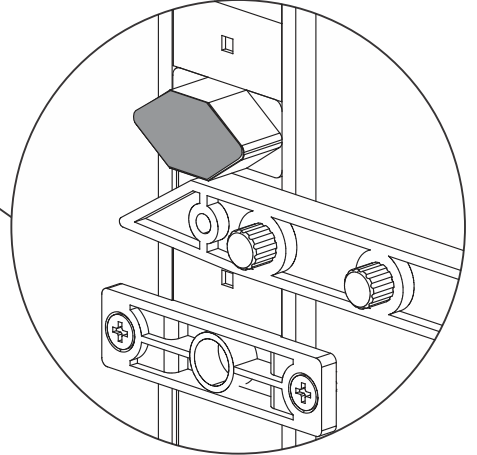
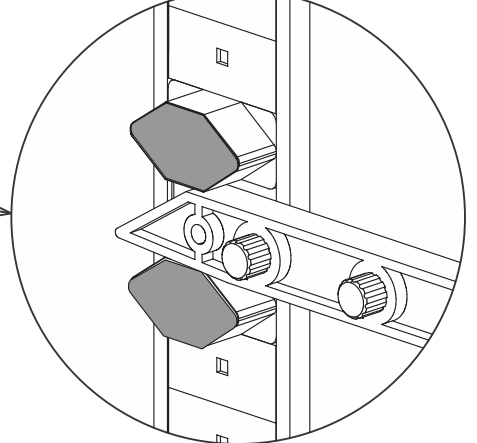
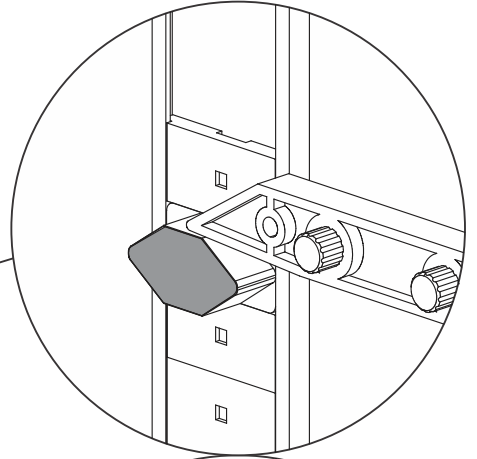
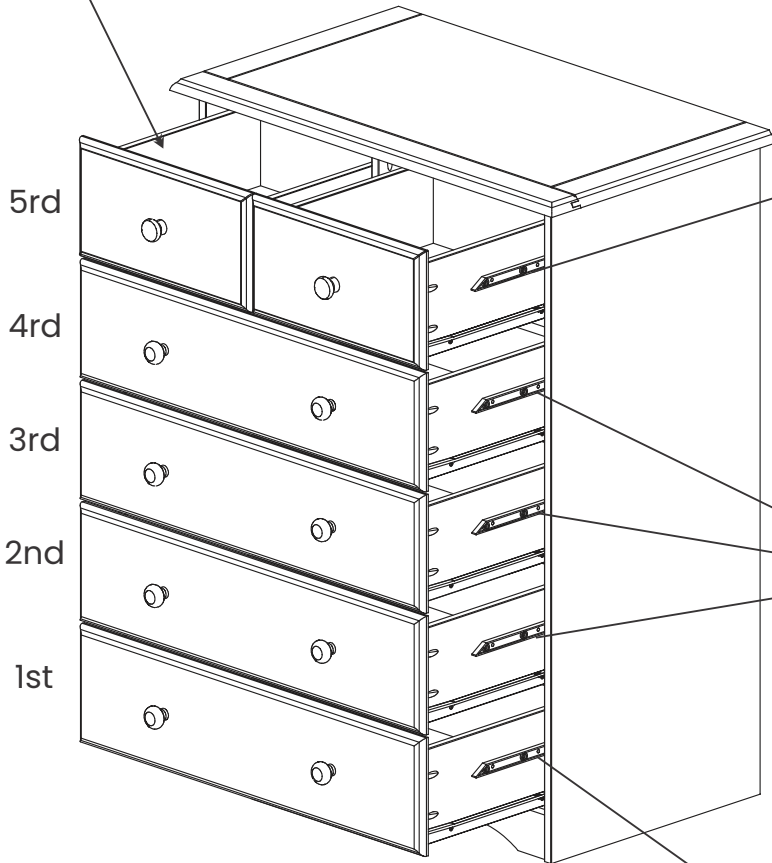
19)



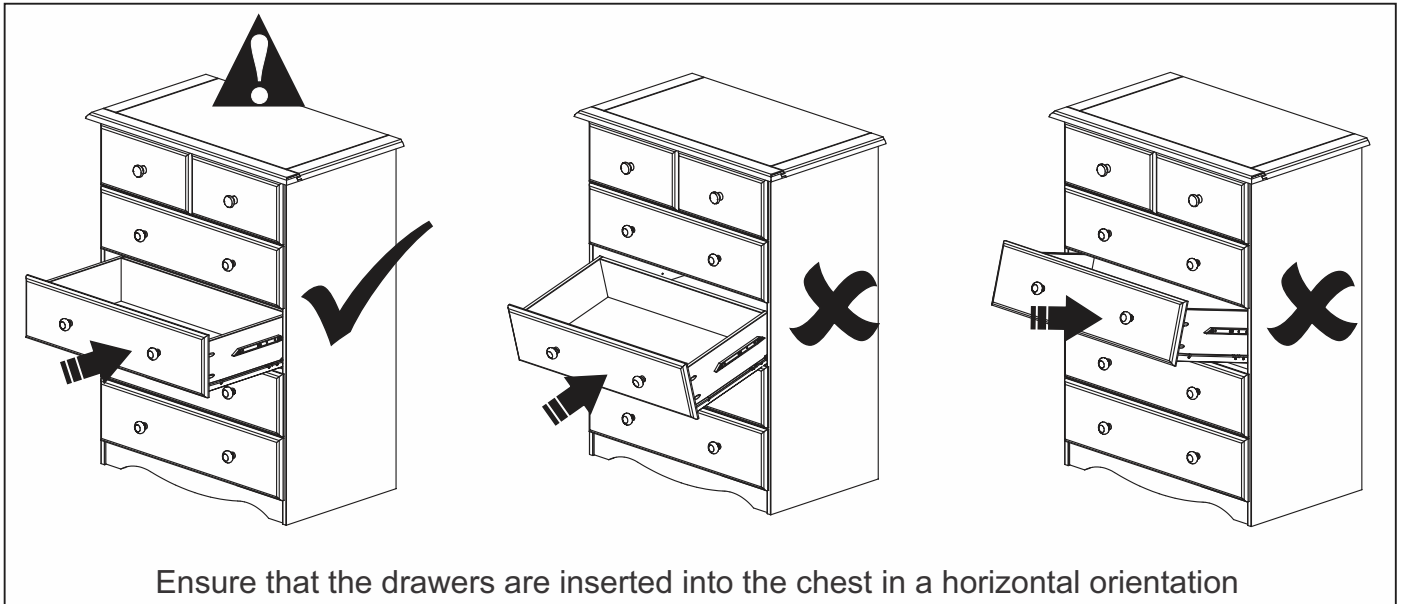
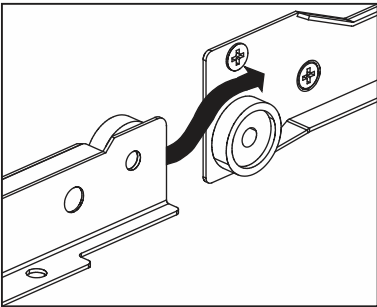
| | | |
|-----|---|----|
| A41 |  4,0x30 | 10 |
| H1 |  | 10 |

20)

Place labeled drawer in the top position

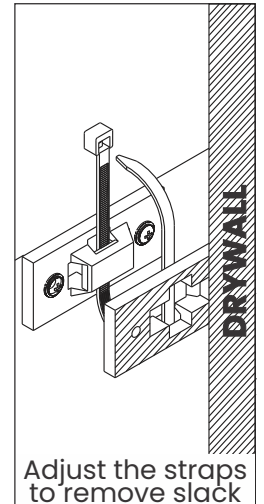
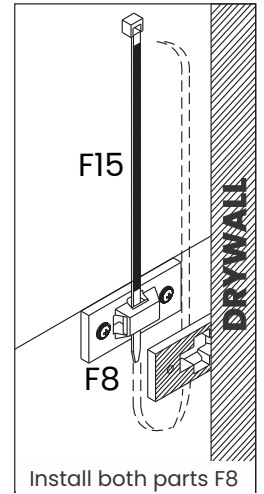
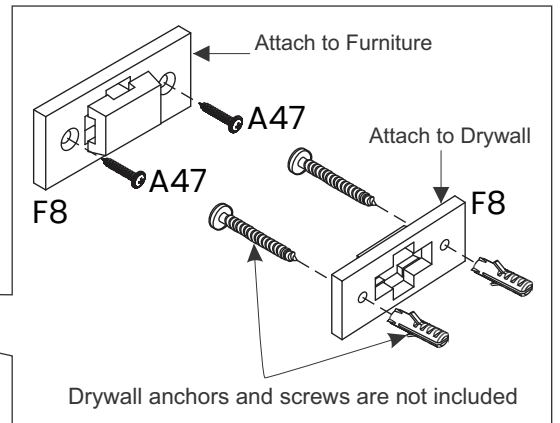
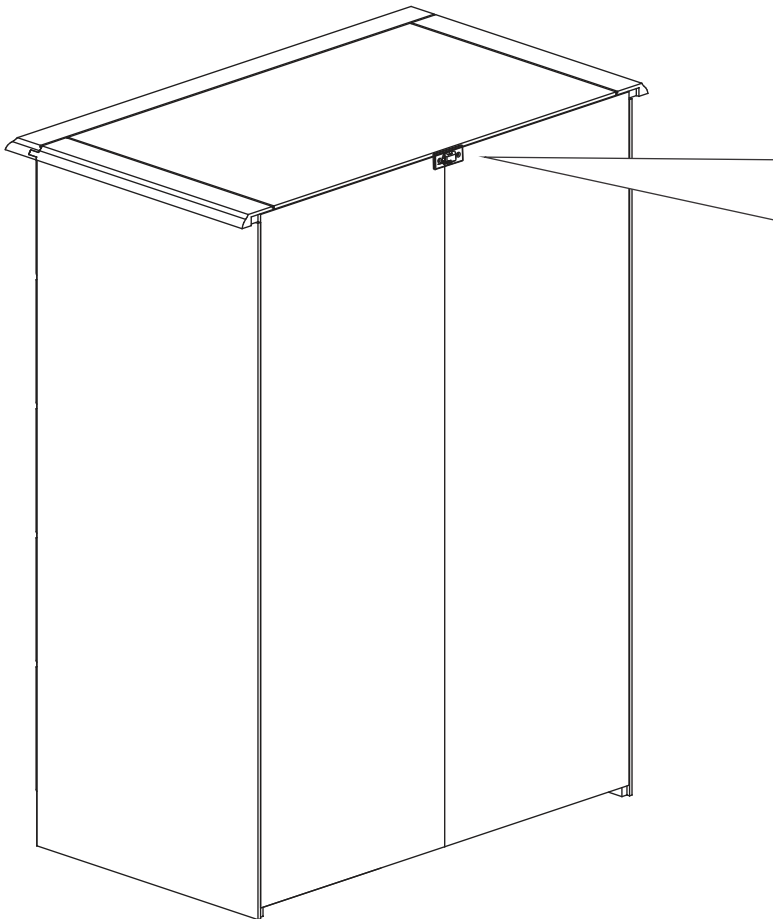
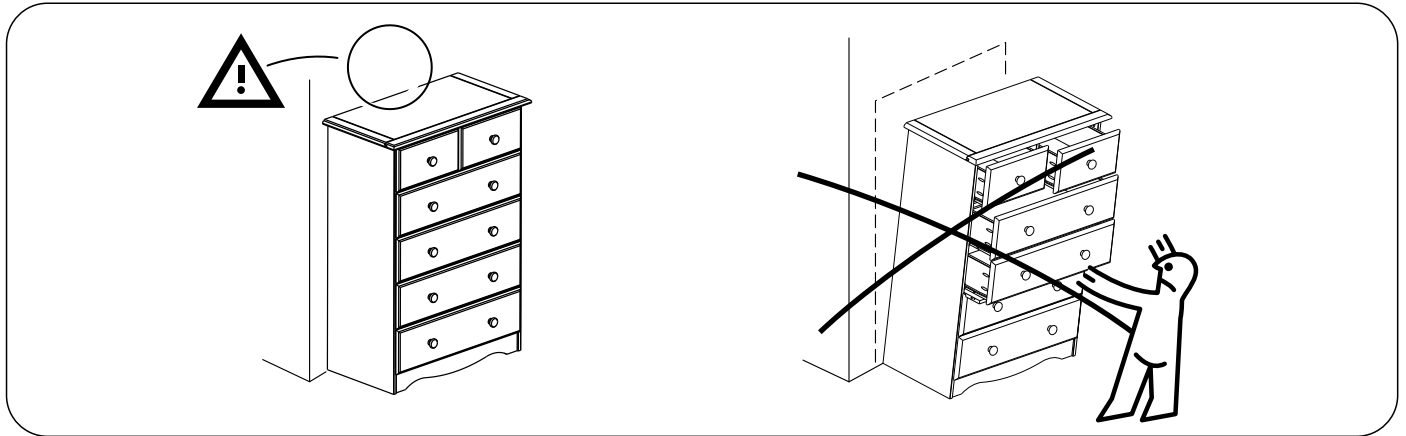


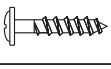
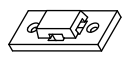

Install the drawers from bottom to top



Ensure that the drawers are inserted into the chest in a horizontal orientation

21) Tip-over Restraint Kit Installation



| | | |
|-----|---|---|
| A47 |  3,0x20 | 2 |
| F8 |  | 2 |
| F15 |  | 1 |