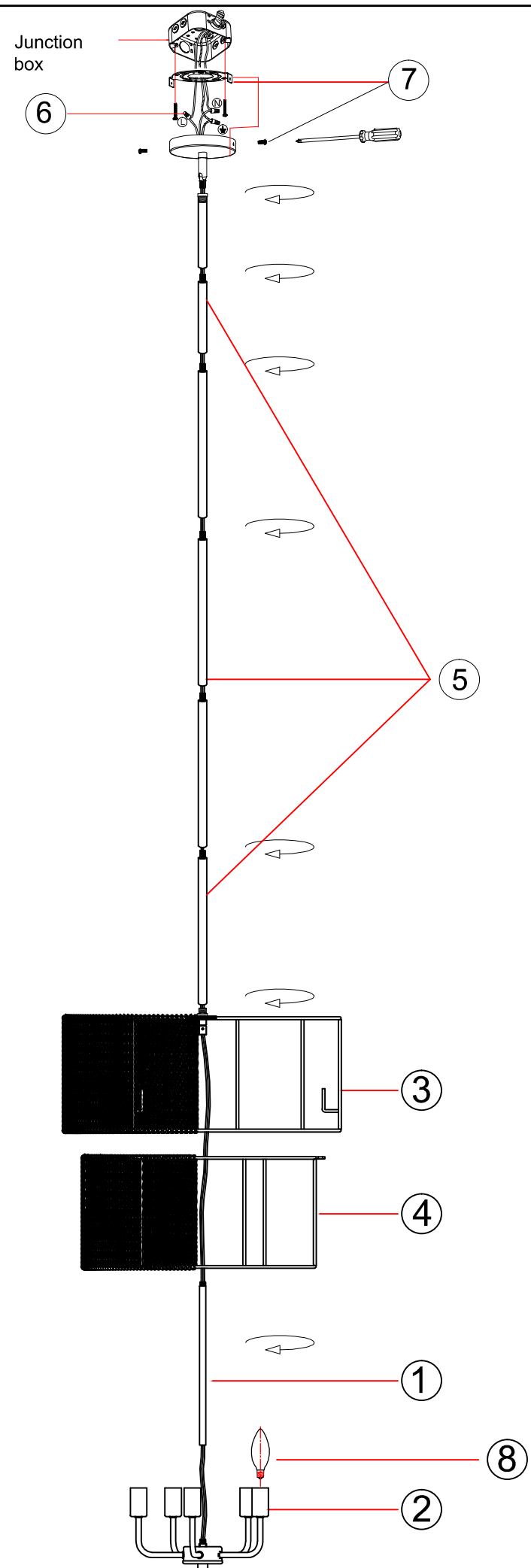
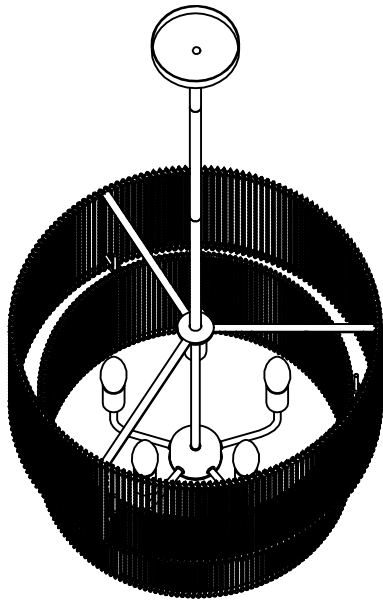


8218PL - 05 - ZT



- 1 : Insert the straight pipe through the wire, then twist it into the middle part of the pipe with the five lamp sockets, and tighten it.
- 2: On the top straight tube of the middle lamp base, make teeth on it and insert it into the movable head with the serial number 3. Then, tighten it with a screw.
- 3: Hang the lampshade numbered 4 over the lampshade numbered 3.
- 4 : Pass the required straight pipe numbered 5 through the wire and lock it in sequence onto the pipe numbered 3.
- 5 : Pass the wires of item 5 (lamp body) through the ceiling plate and tighten it.
- 6 : Tighten and fix the installation plate onto the junction box, and then secure the screws on both sides of the ceiling.
- 7 : PaFix the top suction disc of the lamp body onto the hanging board using screws.
- 8 : Install the bulb (E12 socket).