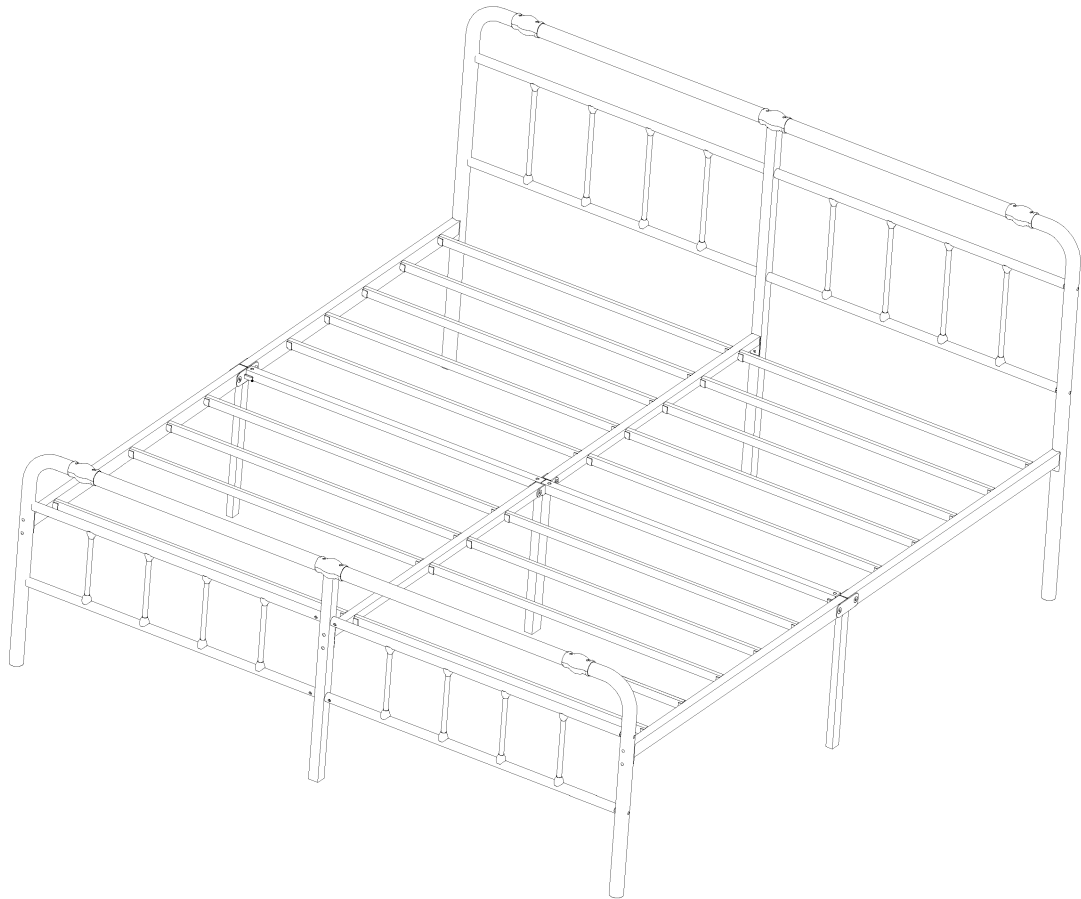


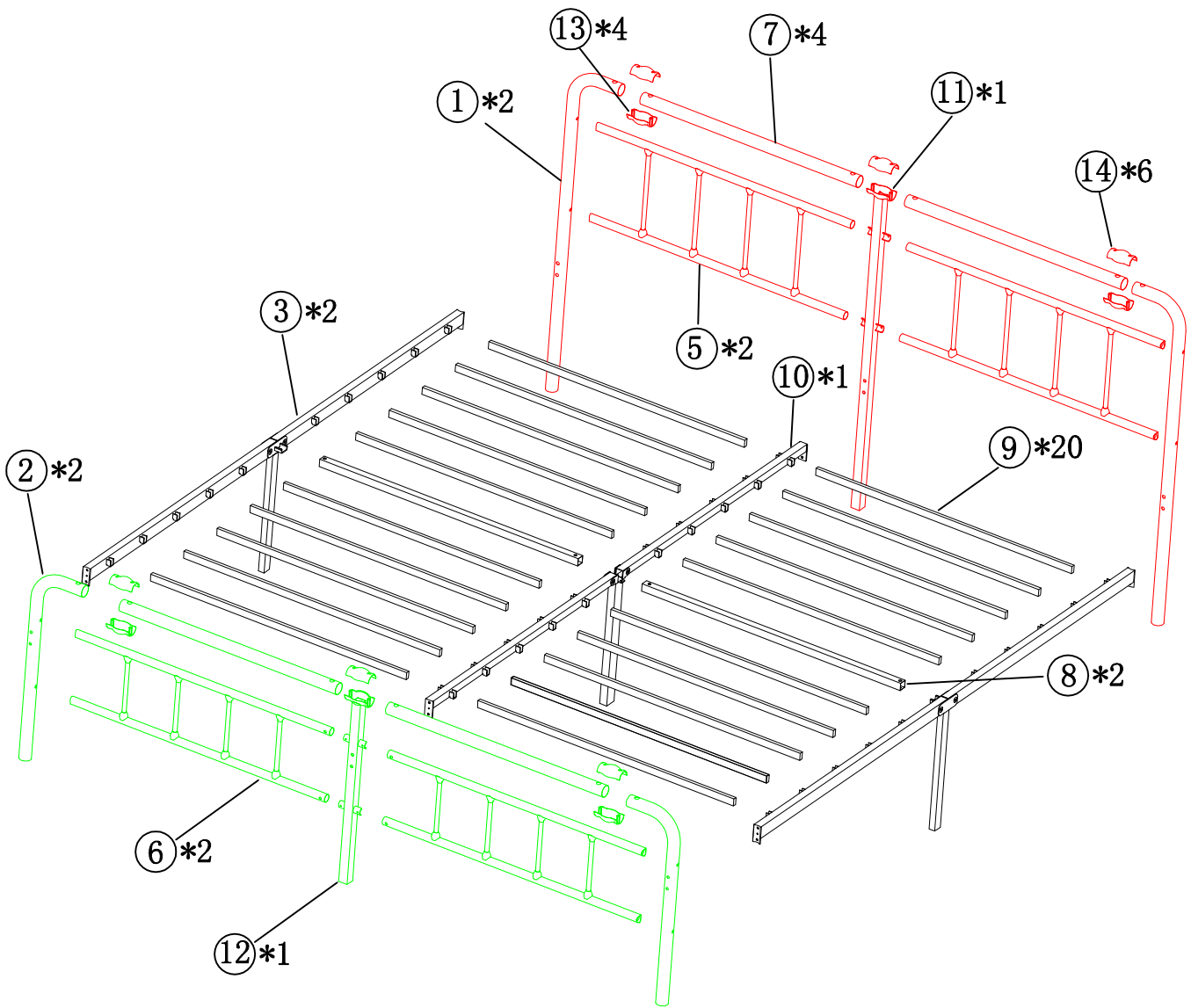
# ASSEMBLY INSTRUCTION


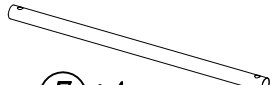
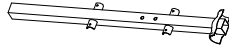
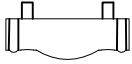




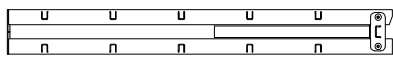



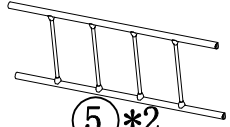
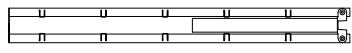


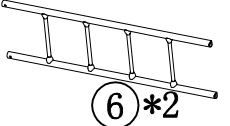



Dear Customer:

1. Do not skip steps.
2. Do not fully tighten screws until all the bed parts are assembled.




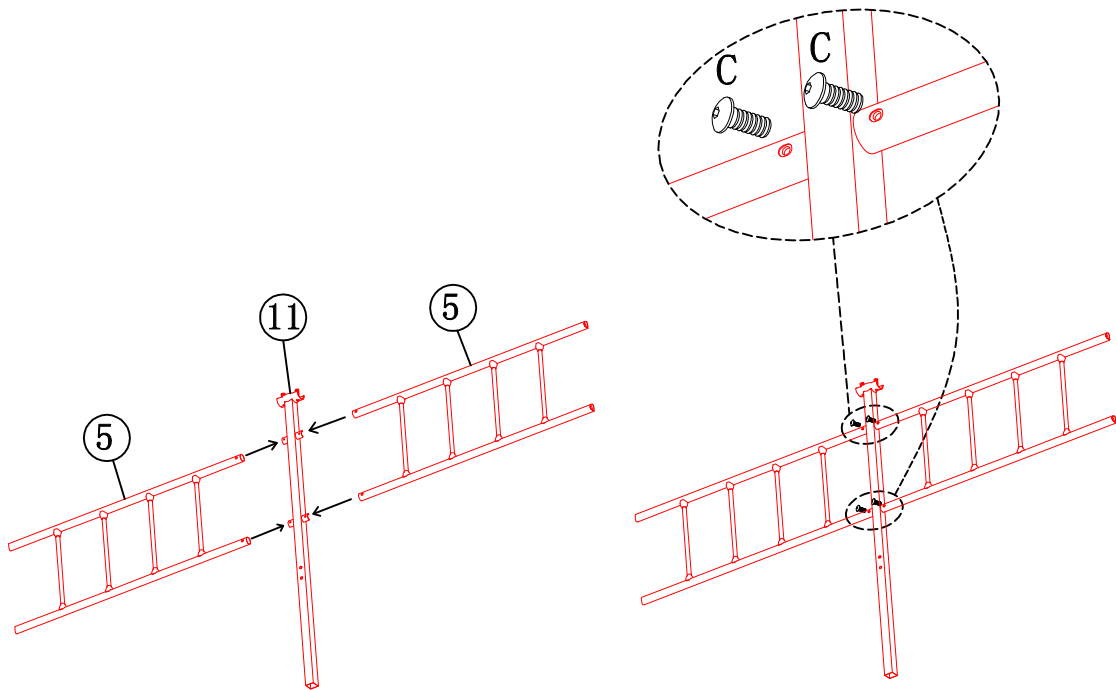
Size: King/Cal King




 ①*2	 ⑦*4	 ⑫*1	 ⑬*4
 ②*2	 ⑧*2	 A*9 (M8*56)	 ⑭*6
 ③*2	 ⑨*20	 B*13 (M6*35)	 E*4 (M8*41)
 ⑤*2	 ⑩*1	 C*9 (M6*10)	 F*5 (M8*35)
 ⑥*2	 ⑪*1	 D*9 (M8*47)	 G*1


# Step 1

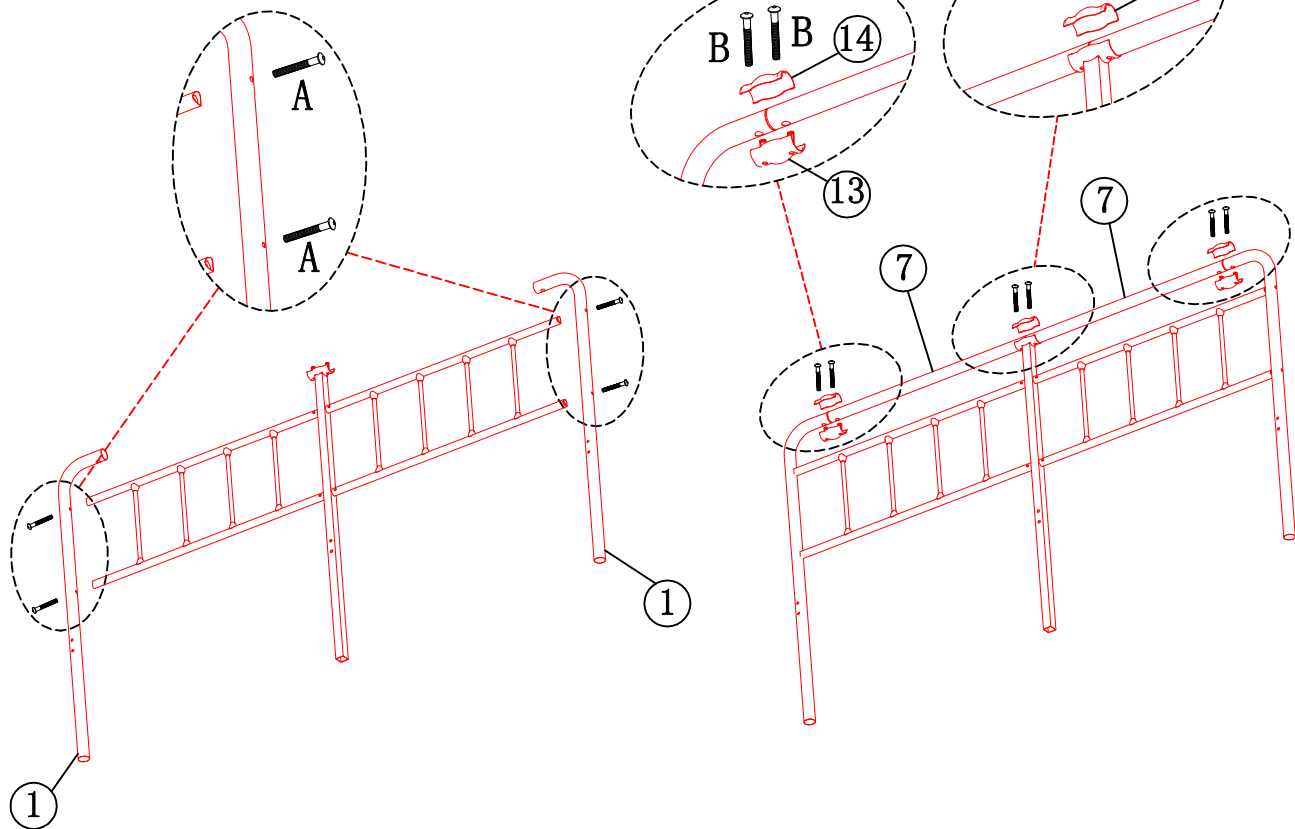
  
C\*4  
(M6\*10)



# Step 2

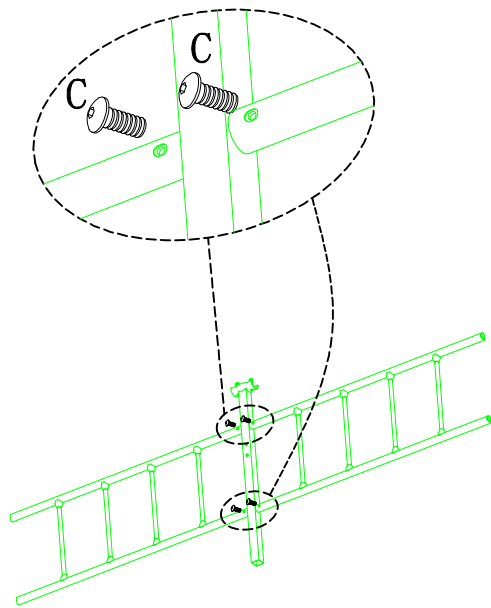
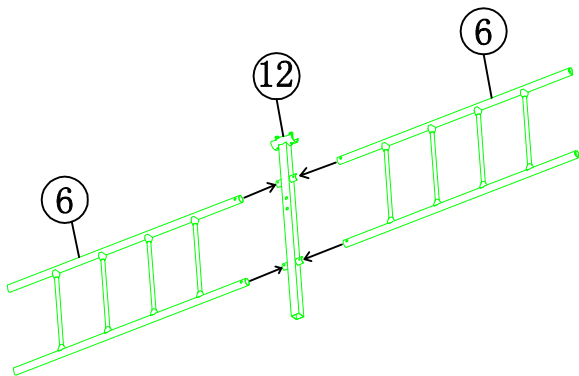
  
A\*4  
(M8\*56)

  
B\*6  
(M6\*35)



# Step3

C\*4  
(M6\*10)

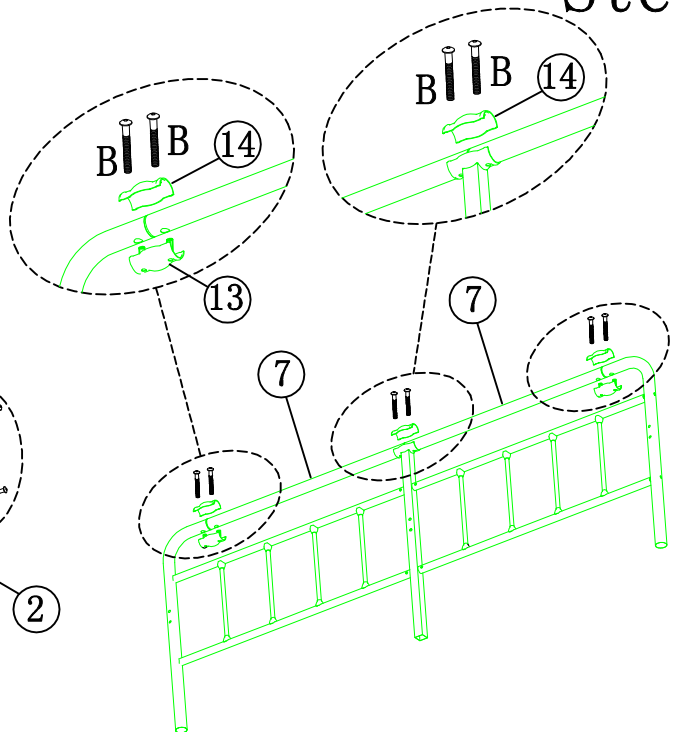
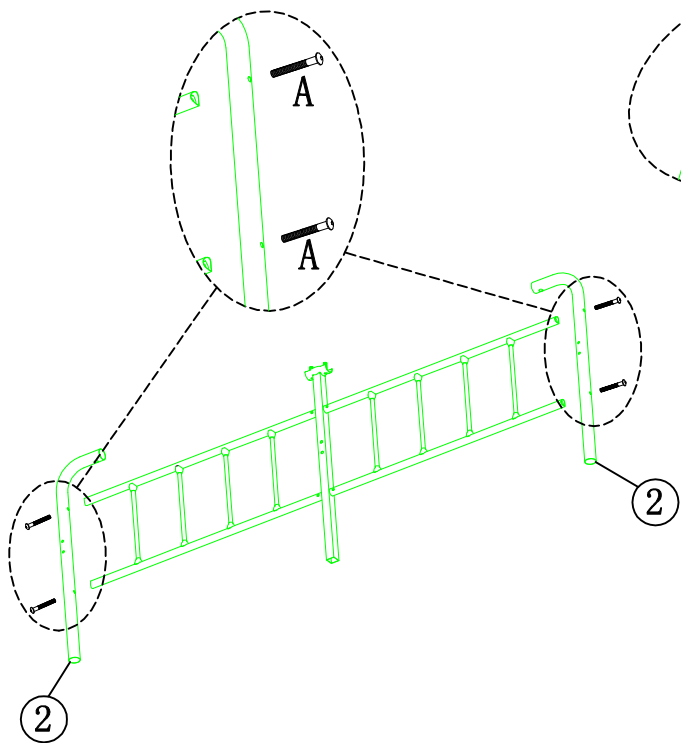


A\*4  
(M8\*56)

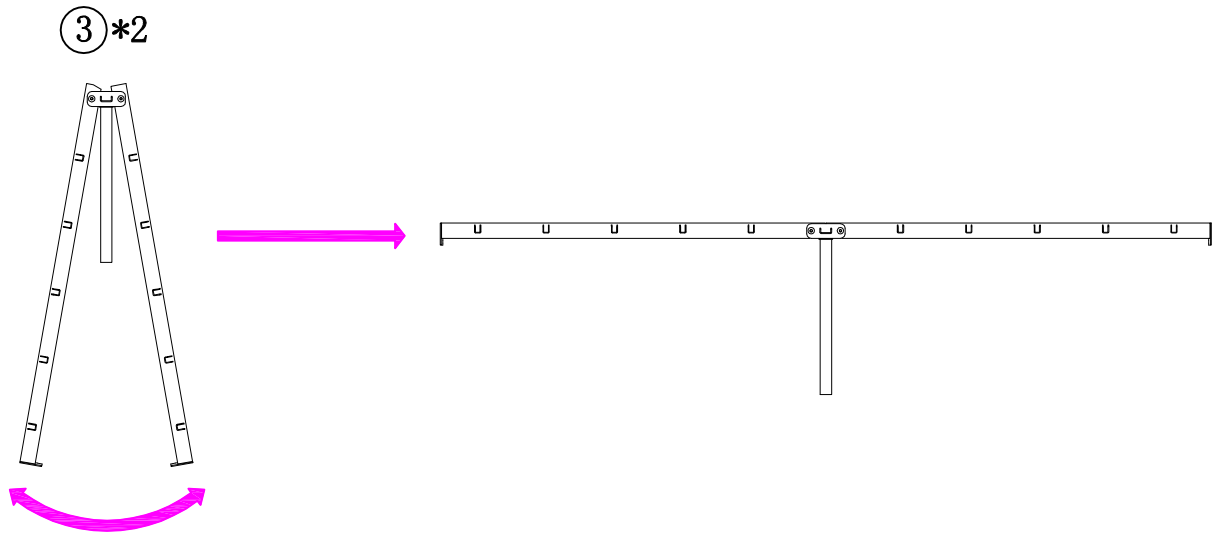


B\*6  
(M6\*35)

# Step4

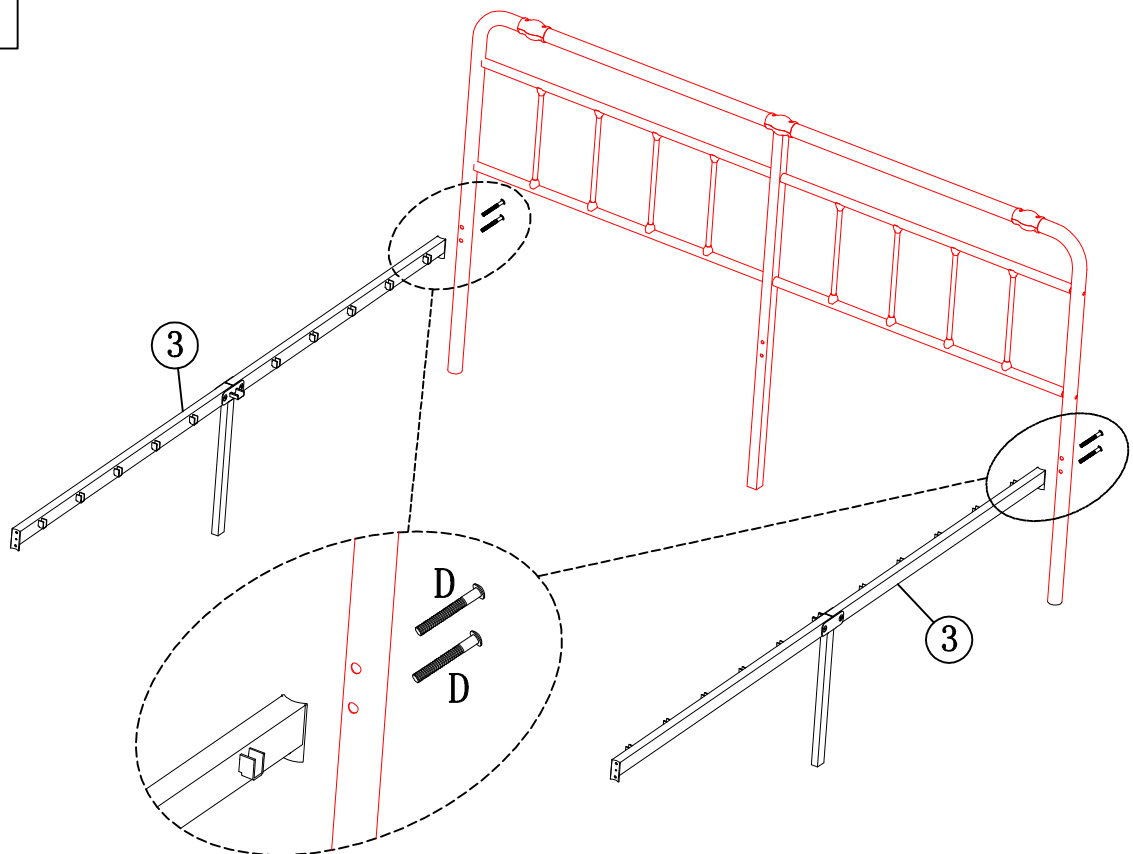


# Step5



D\*4  
(M8\*47)

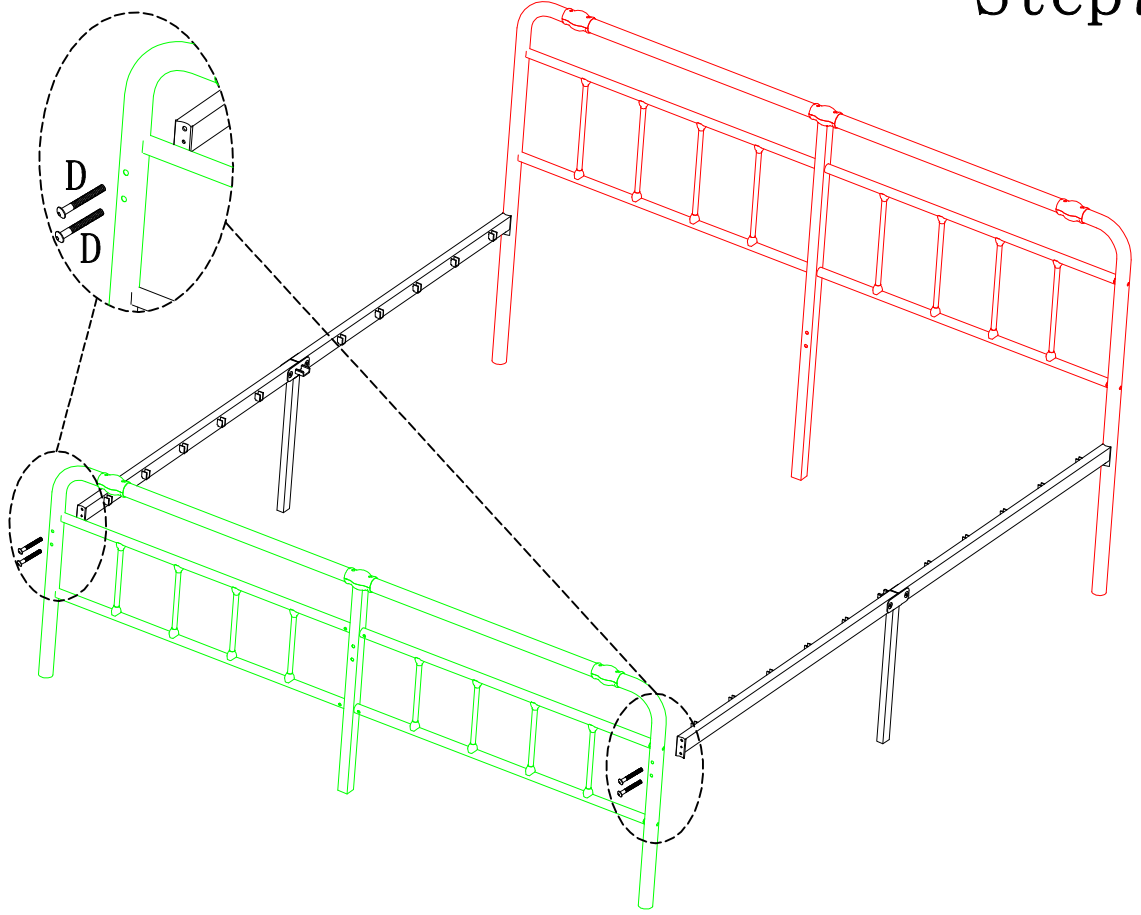
# Step6



# Step7

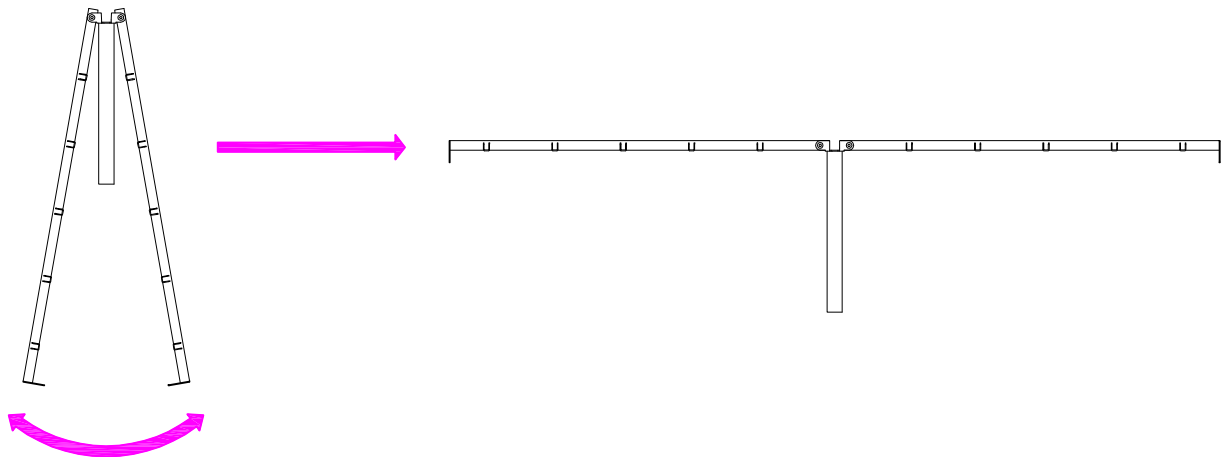


D\*4  
(M8\*47)



# Step8

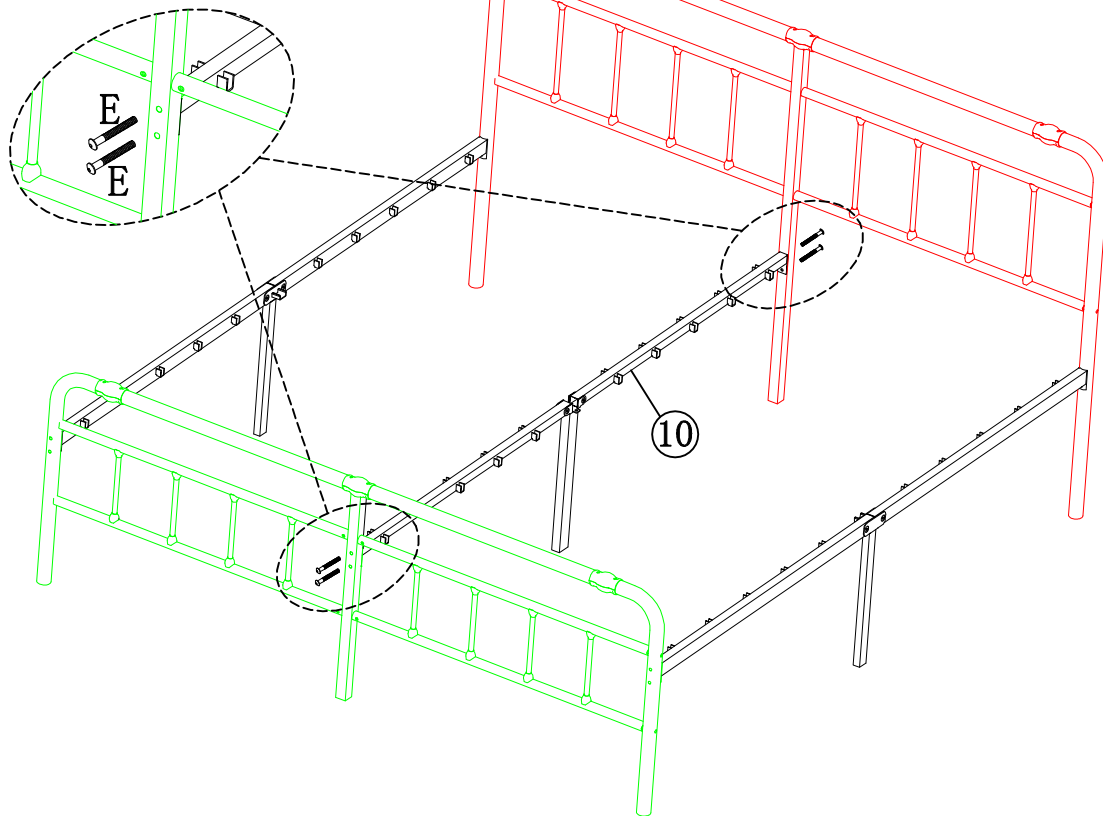
⑩\*1



# Step 9



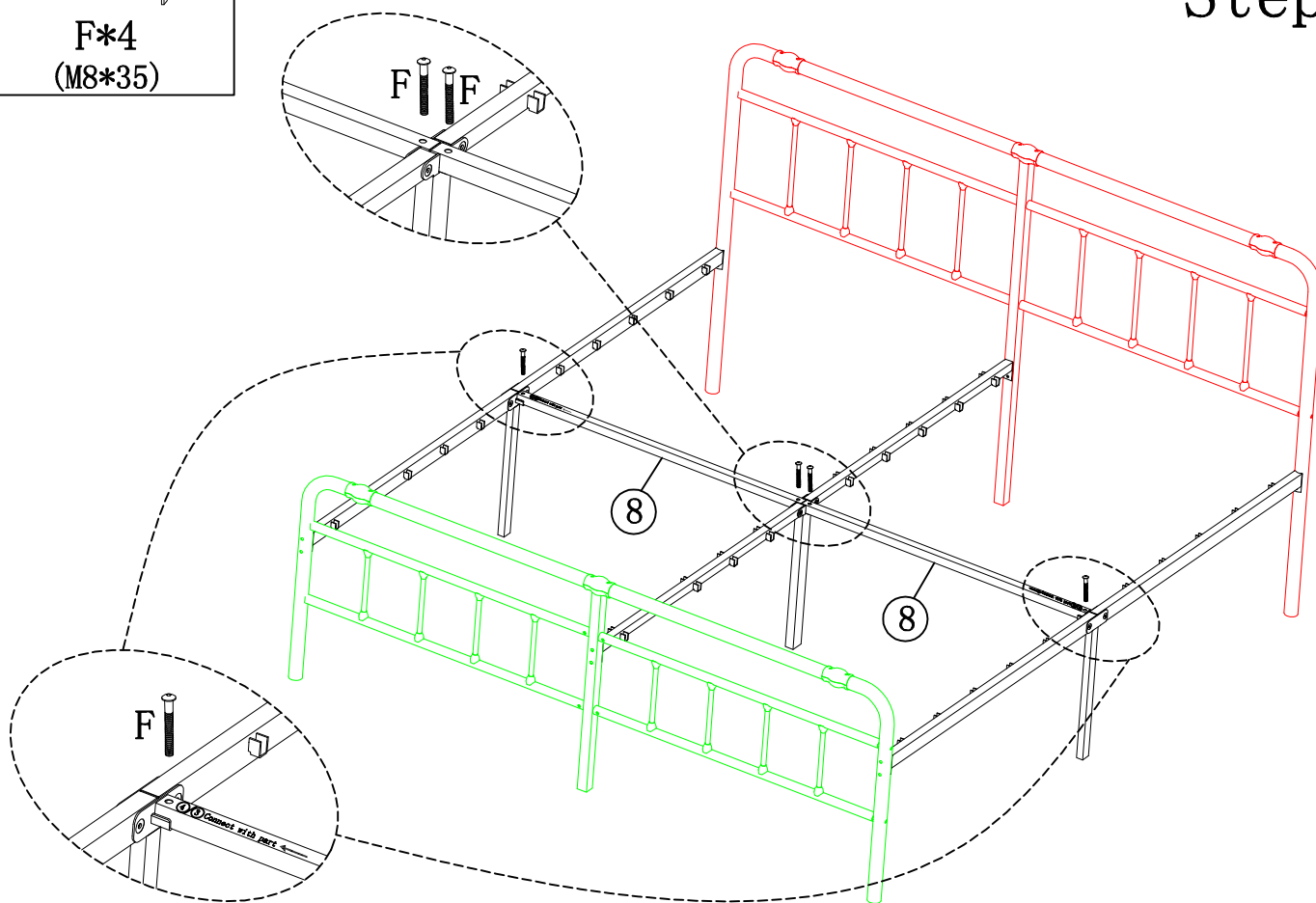
E\*4  
(M8\*41)



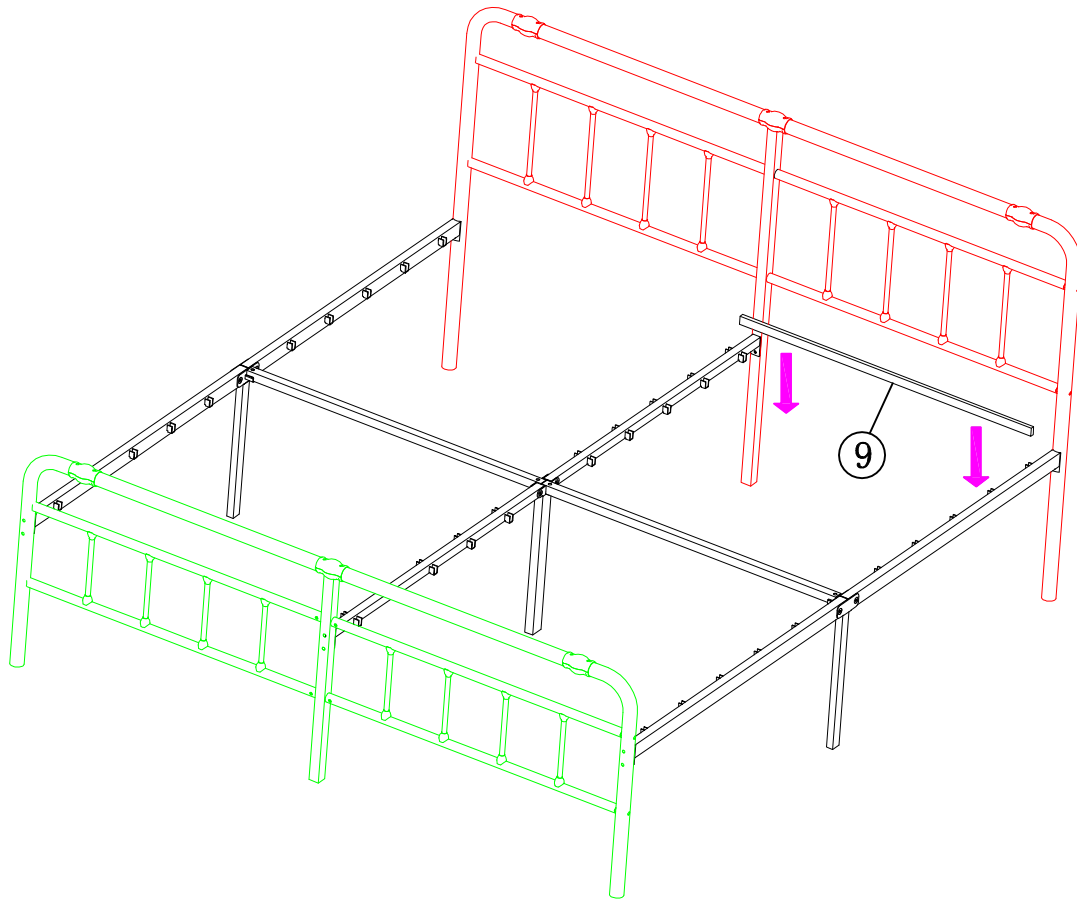
# Step 10



F\*4  
(M8\*35)



# Step11



# Step12

