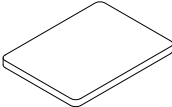









ASSEMBLY INSTRUCTION FOR ACME FURNITURE








MODEL# 82862 Trundle End Table

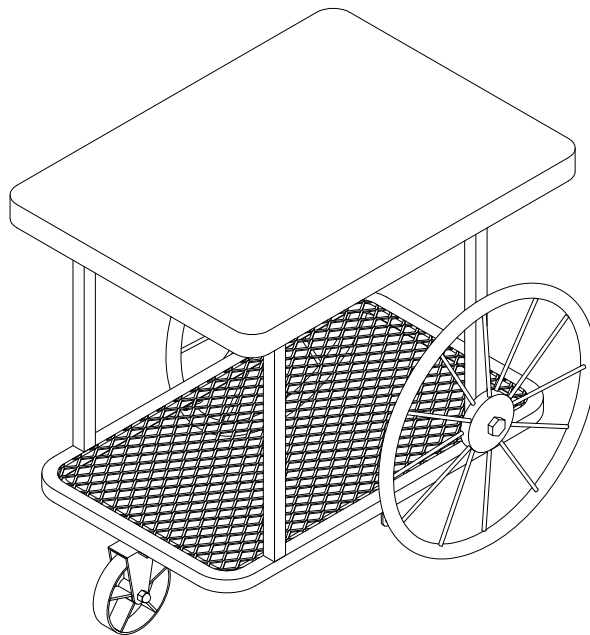
Thank you for purchasing this quality product. Be sure to check all packing materials carefully for small parts which may have come loose inside the carton during shipment. Separate, identify, and count all parts and metal hardware. Compare with parts list to be sure all parts are present. If any part(s) are missing or damaged, please contact your local furniture dealer. For efficient and speedy service, please indicate the model number and code letter of the part(s) needed.

***** Do not fully tighten screws until fully assembled *****

COMPONENT PARTS		
DECERPTION	PART NAME	Q'TY(PCS)
①	Top panel 	1pc
②	Shelf 	1pc
③	Left Big Wheel 	1pc
④	Right Big Wheel 	1pc
⑤	Small Wheel Frame 	1pc
⑥	Small Wheel 	1pc
⑦	Small Wheel Side tube 	2pcs
⑧	Big Wheel Side tube 	2pcs

HARDWARE REQUIRED:

(A) 	Bolt 1/4"x5/8" - 3pcs
(B) 	Bolt 1/4"x1-3/8" - 6pcs
(C) 	Allen Wrench M4 - 1pc
(D) 	Bolt 5/16"x1-5/8" - 1pc
(E) 	Nut M8 - 1pc
(F) 	Allen Wrench M5 - 1pc
(G) 	Bolt 1/4"x1-5/8" - 4pcs



Attention:

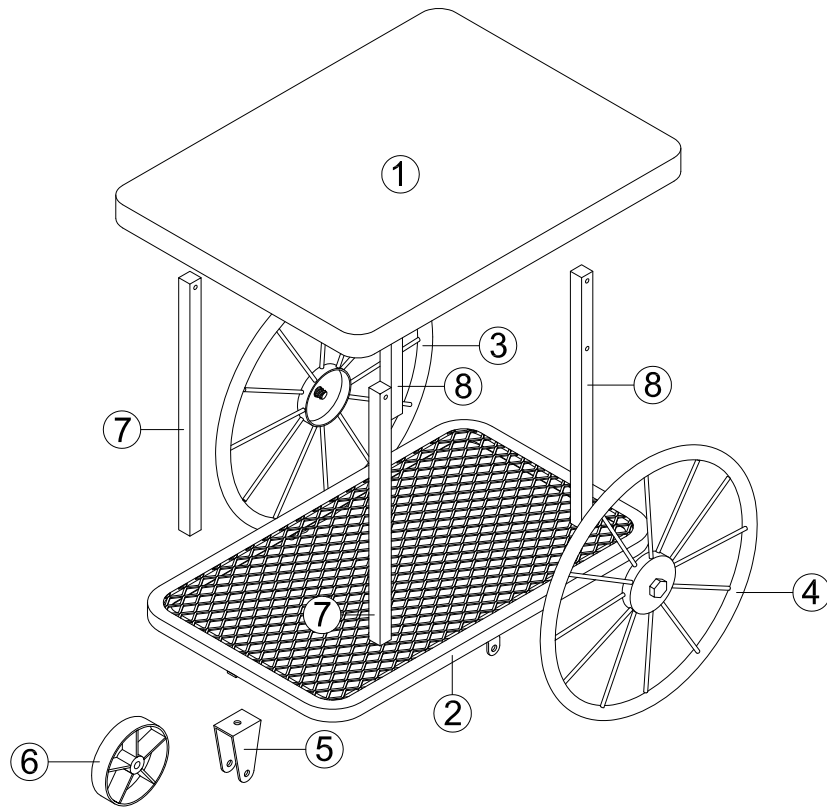
***Mattresses not included.

***Some number parts listed on the instruction sheet may not be in parts bag as they may already be assemble.
Carefully check parts and packing materials prior to ordering replacements.

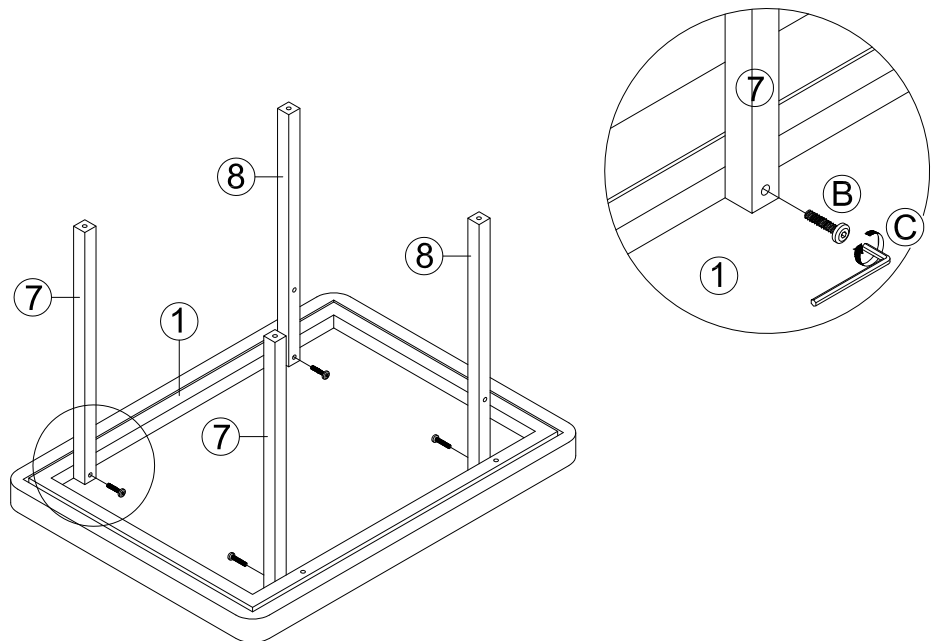
How to Assemble:

STEP 1.

Exploded View



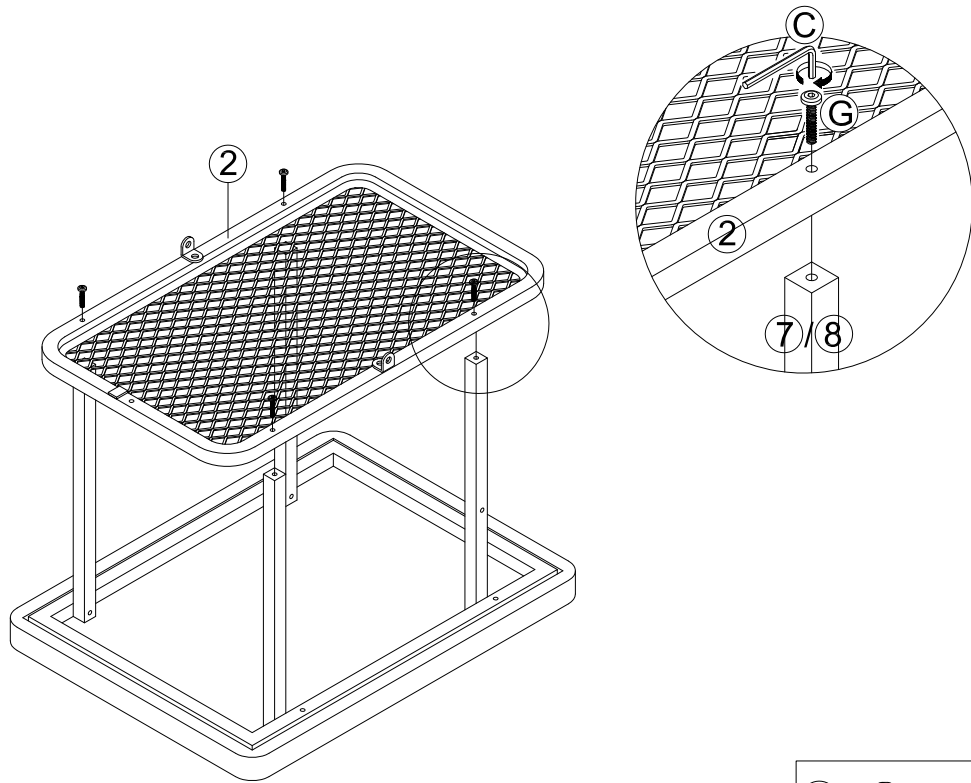
STEP 2.



(B)  4pcs

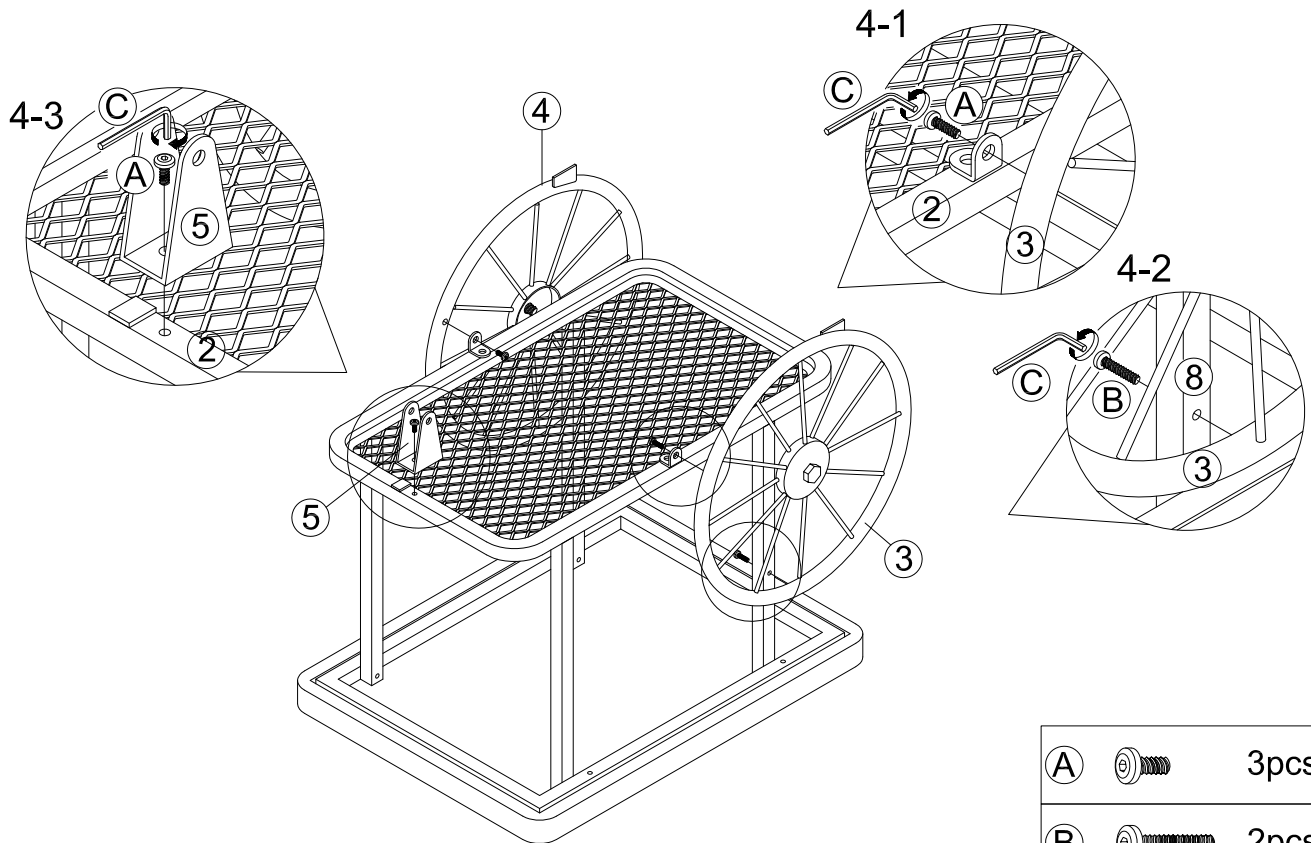
How to Assemble:

STEP 3.



G  4pcs

STEP 4.

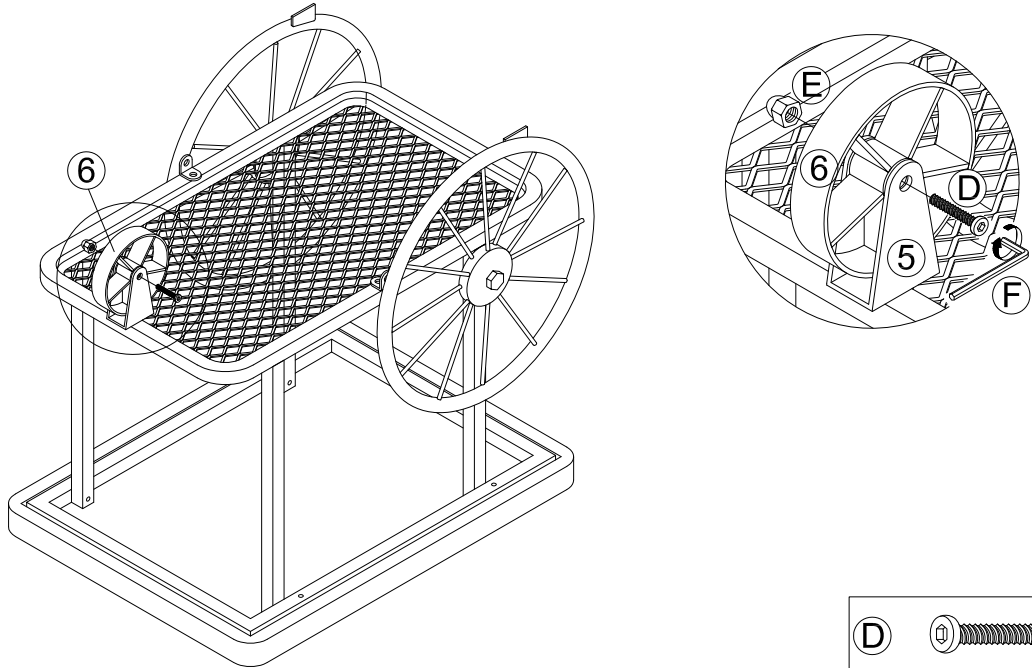




A  3pcs

B  2pcs

How to Assemble:

STEP 5.



D		1pc
E		1pc

STEP 6.

