

Please keep this manual and product code number for future reference and for ordering replacement parts if necessary.

GENERAL INSTRUCTIONS

Read this manual carefully and completely before proceeding.

.It is recommended that you wear safety glasses at all times during the installation.

INSTALLATION OVER CERAMIC TILES

If your shower door is to be installed over ceramic tiles, the tiles should lay completely under the wall jamb. Silicone should be used to seal the gap where the ceramic tiles meet the fixed panel.

NOTICE

.Caulking: no sealant is required inside the shower, unless otherwise stated.

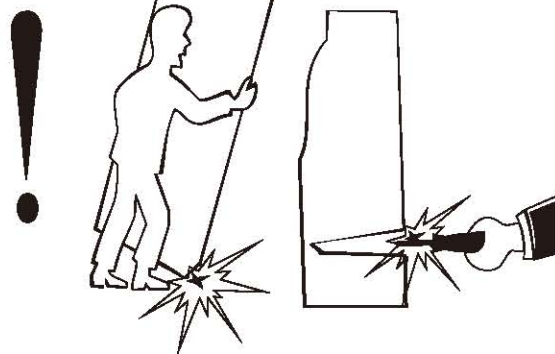
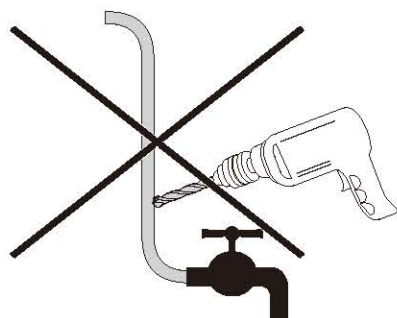
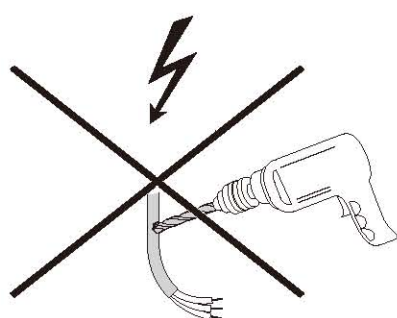
.Some models are equipped with clear sealing gaskets.

CARE FOR YOUR SHOWER DOOR

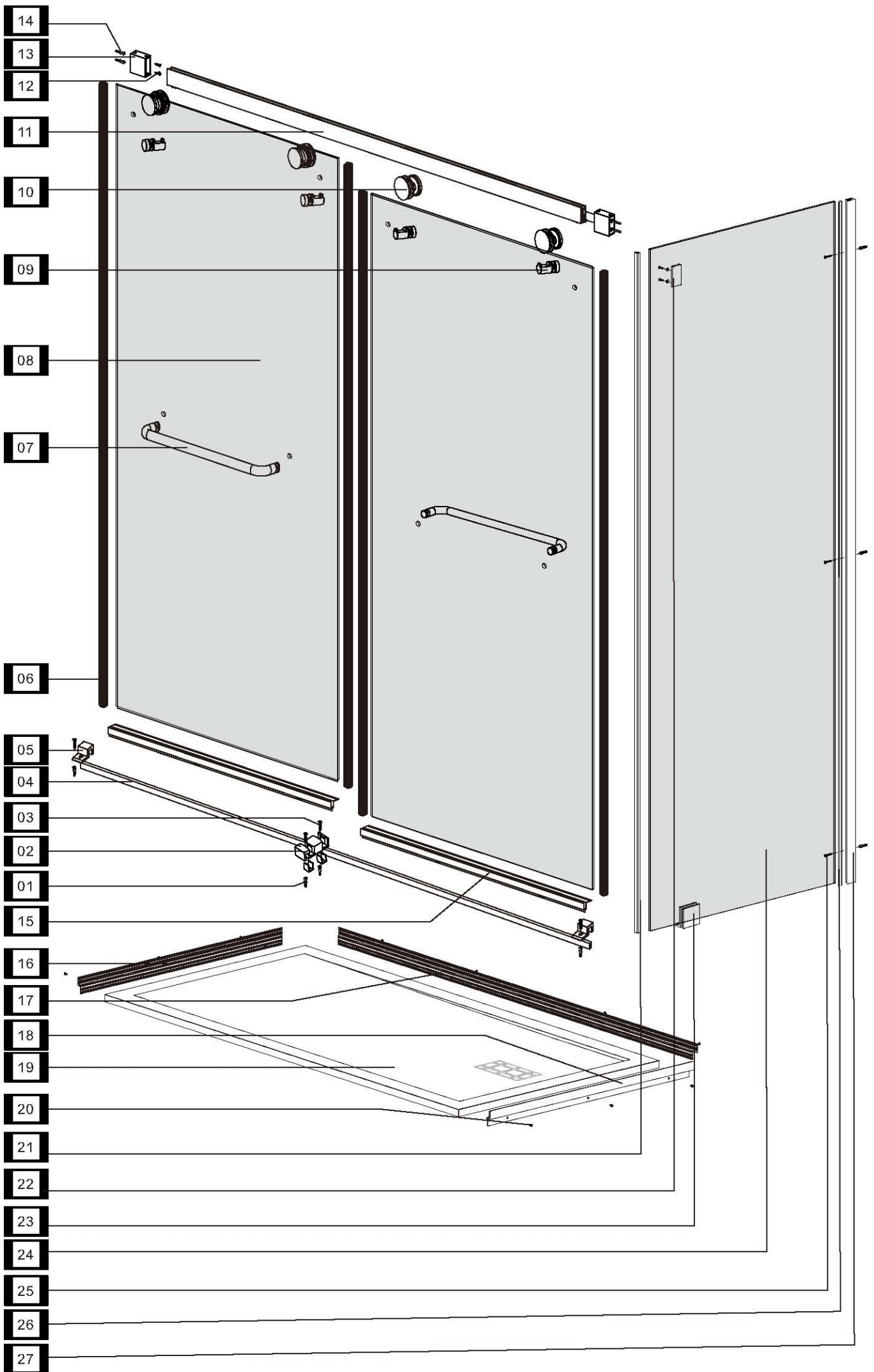
Never use scouring powder pads or sharp instruments on metal pieces or glass panels.

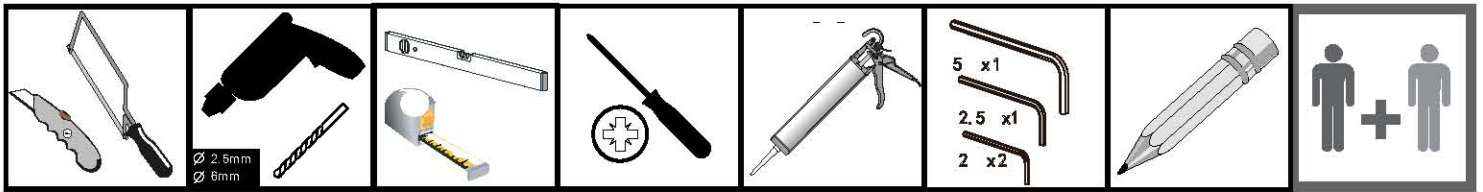
An occasional wiping down with a mild soap diluted in water is all that is needed to keep the panels and aluminum parts looking new.

.We recommend wiping the glass panels with a squeegee after each use.

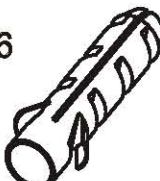
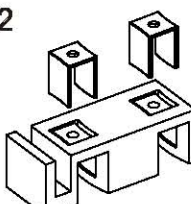
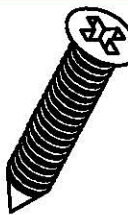
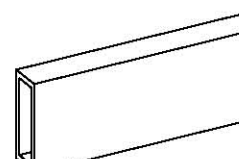
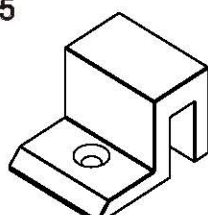
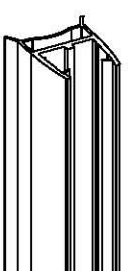
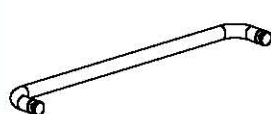
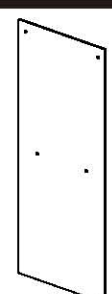
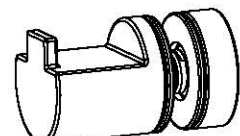
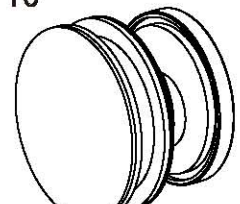
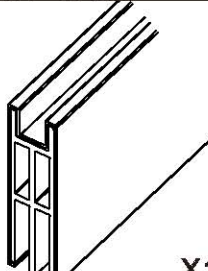

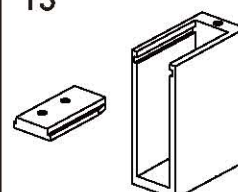
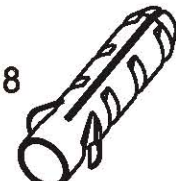
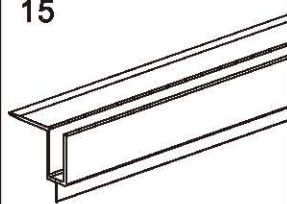



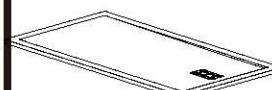
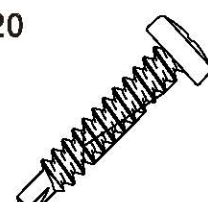
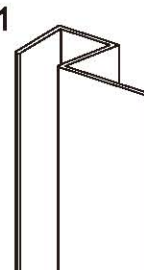
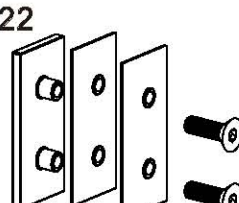
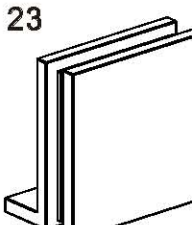
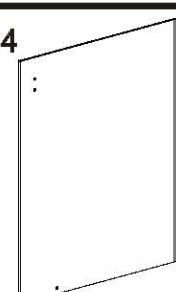
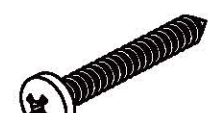

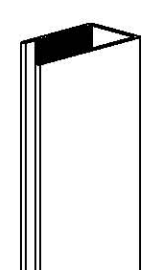


Before starting the assembly, it is necessary to check whether or not a cubicle has defects and is complete. The company : Deante Antczak Sp. J. does not bear responsibility for noticeable defects of the product after its assembly. Before installation of panes, it is required to clean out places of their fixing with the use of basic cleaners intended for cleaning glass. For assembly it is advisable to use only sanitary silicone. After unpacking the cubicle, protect panes from hits while putting them on the surface (e.g. by putting them on a cardboard). Avoid hits on panes' edges or their corners.

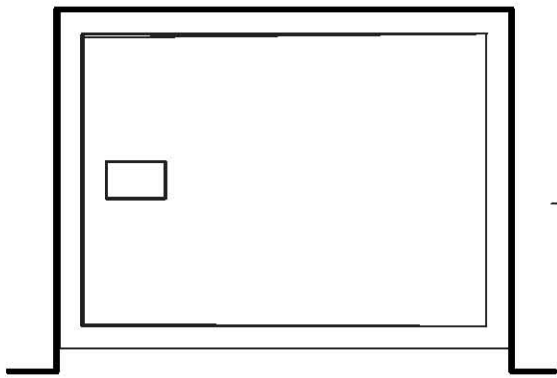
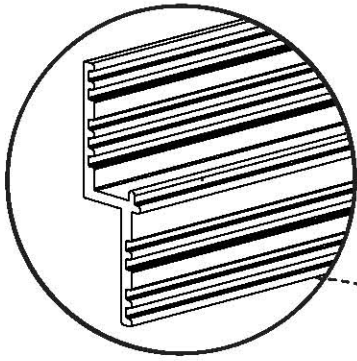




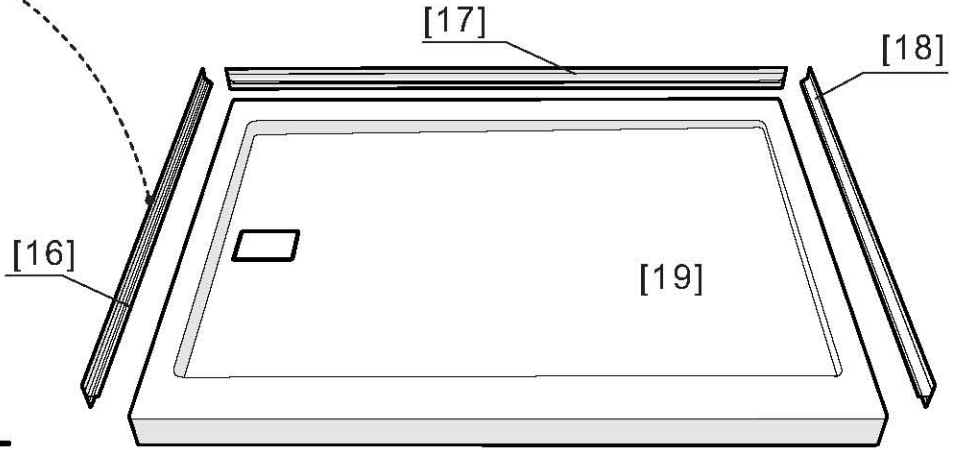
◆ Box Contents

1 ∅ 6  X7	2  X1	3  ST4X30 X4	4  X1	5  X2
6  X4	7  X2	8  X2	9  X4	10  X4
11  X1	12  ST5X35 X4	13  X2	14 ∅ 8  X4	15  X2
16  X1	17  X1	18  X1	19  X1	20  ST4X20 X10
21  X1	22  X1	23  X1	24  X1	25  ST4X30 X3
26  X1	27  X1			

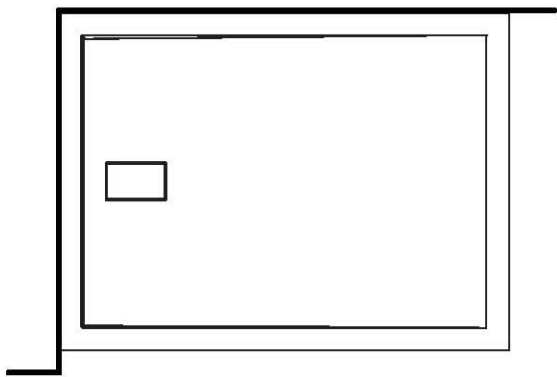
TYPE DE CONFIGURATION / TYPE OF CONFIGURATION



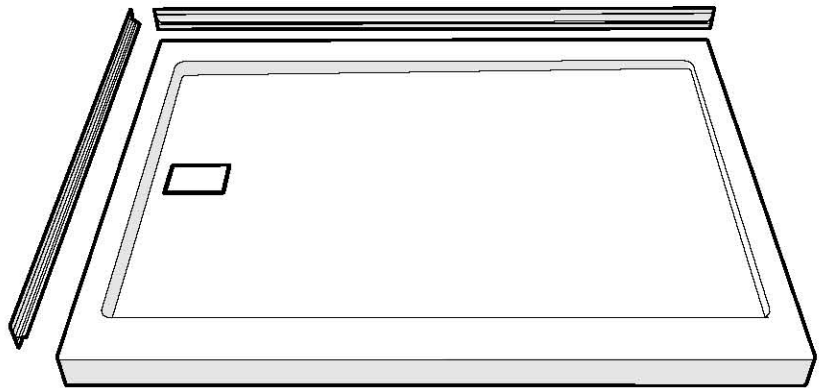
screen-style



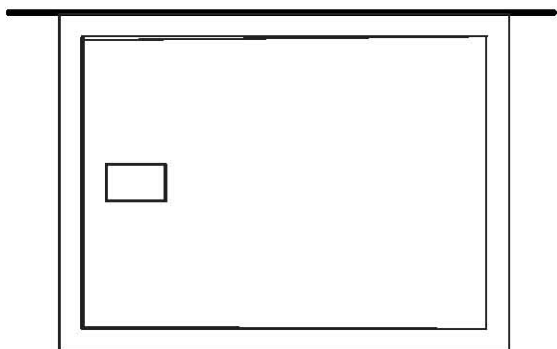
3 TILING FLANGES



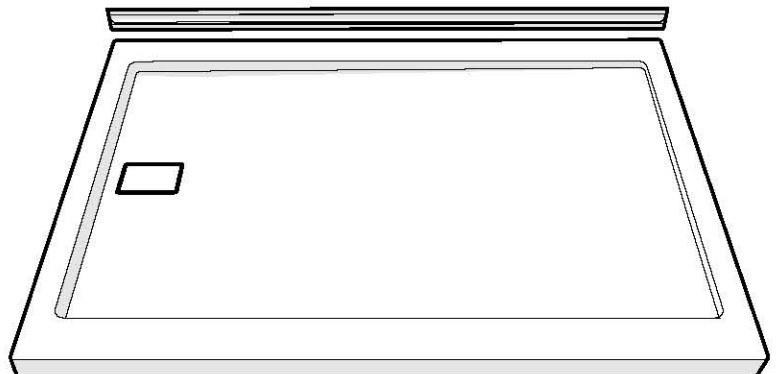
DOUBLE THRESHOLD : RIGHT OR LEFT



2 TILING FLANGES

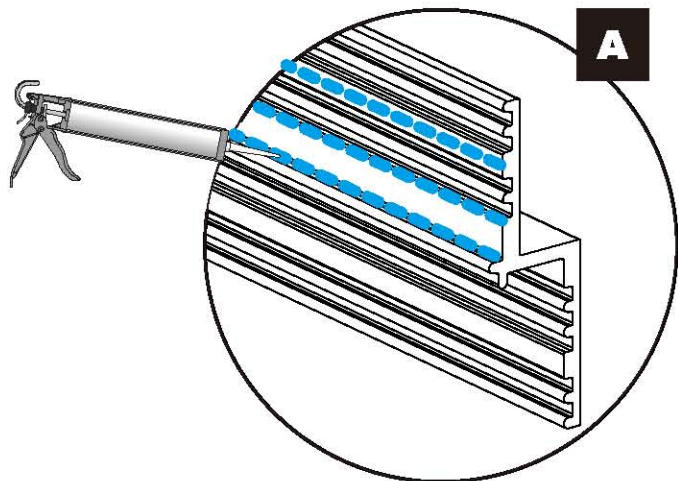


TRIPLE THRESHOLD



1 TILING FLANGE

INSTALLER LA BRIDE DE CARRELAGE / INSTALL TILING FLANGE

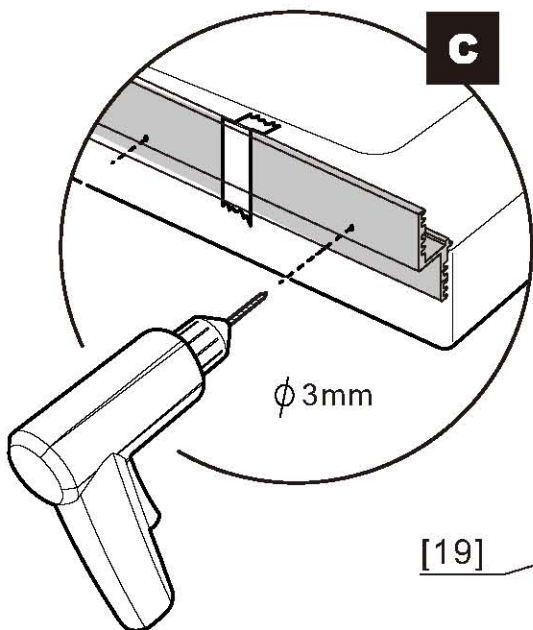
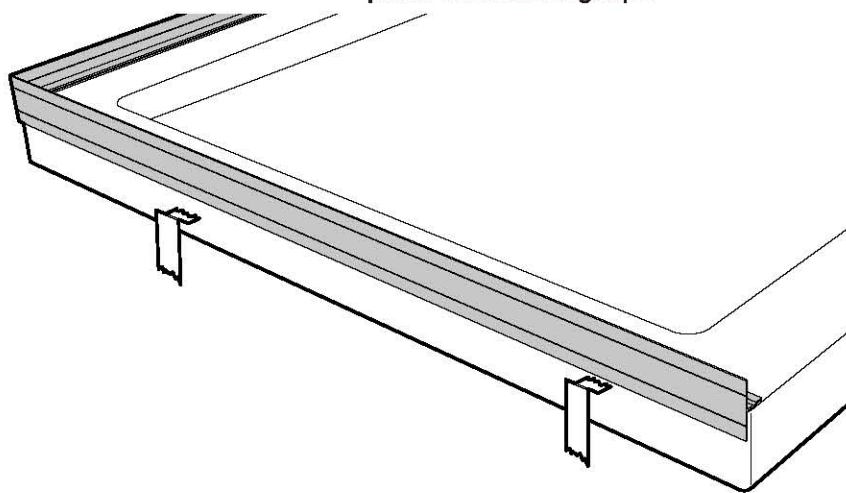


CONFIGURATION SHOWN :
DOUBLE THRESHOLD ON THE RIGHT

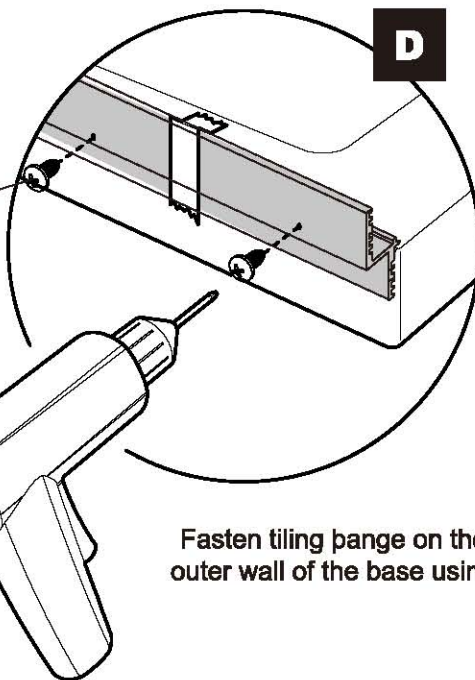
Prior to installation, turn the tiling pange to apply a line of
silicone along the channel

A

Position the tile pange on base and temporarily hold it in
place with masking tape



[19]



Fasten tiling pange on the
outer wall of the base using

[20]

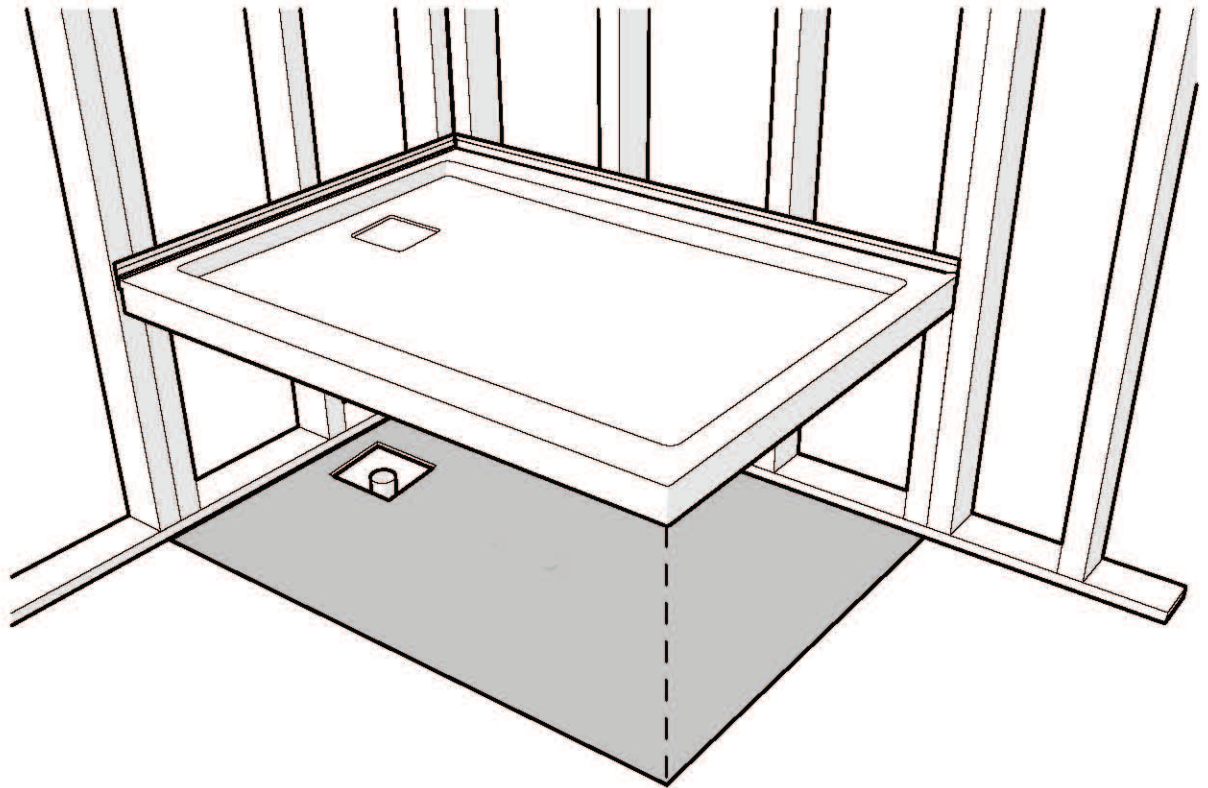


4*20
Self drilling screw

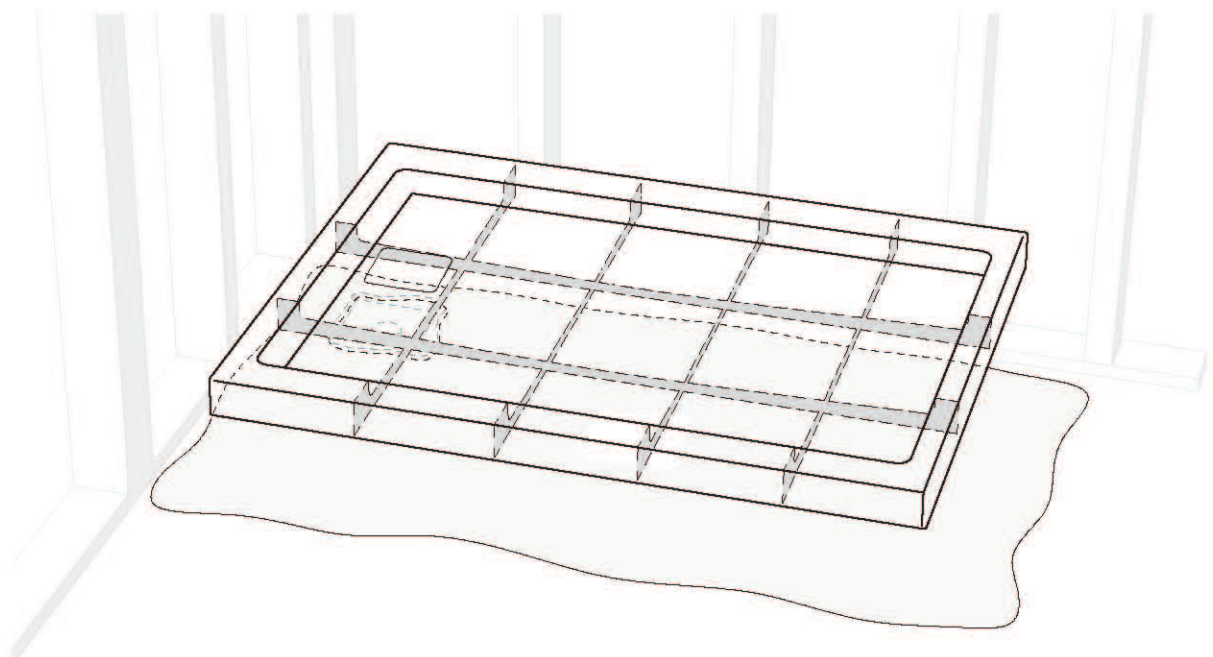
PLACER LA BASE / PLACE THE BASE



Remove strainer from drain before
connecting it.



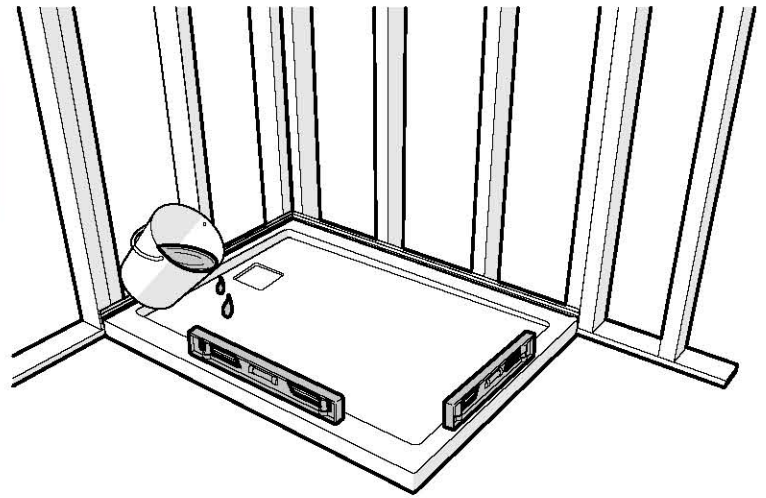
Lower base over center of drain pipe and set into place.
Connect the drain to plumbing.
Verify that the base is level.



TESTER LE DRAINAGE / TEST THE DRAINAGE



If water doesn't drain properly even though the base is leveled, do not continue this installation. Please remove the base and return it to your dealer for exchange.

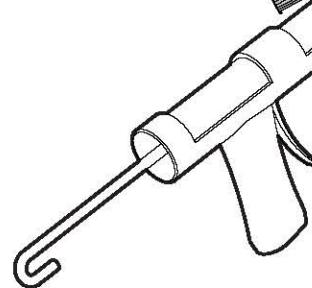
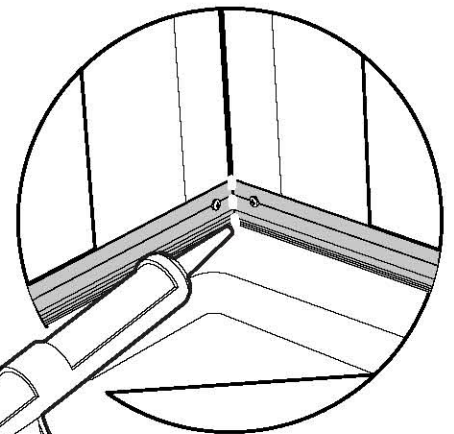
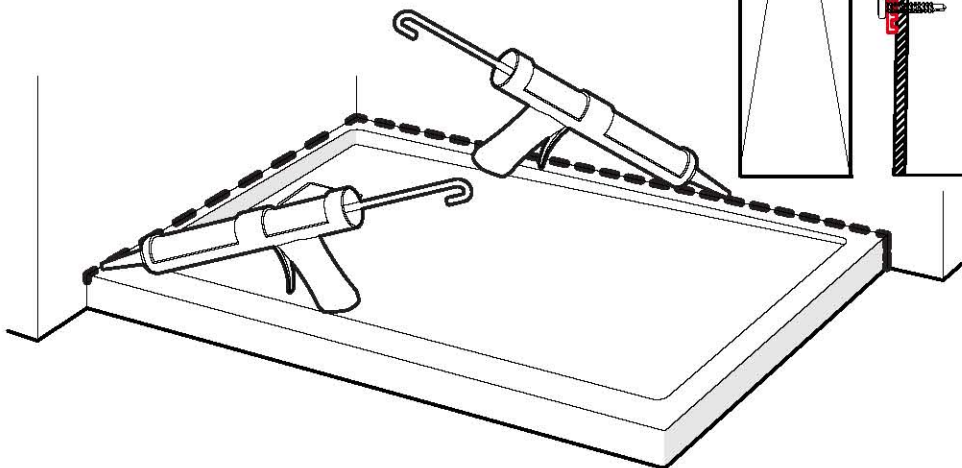
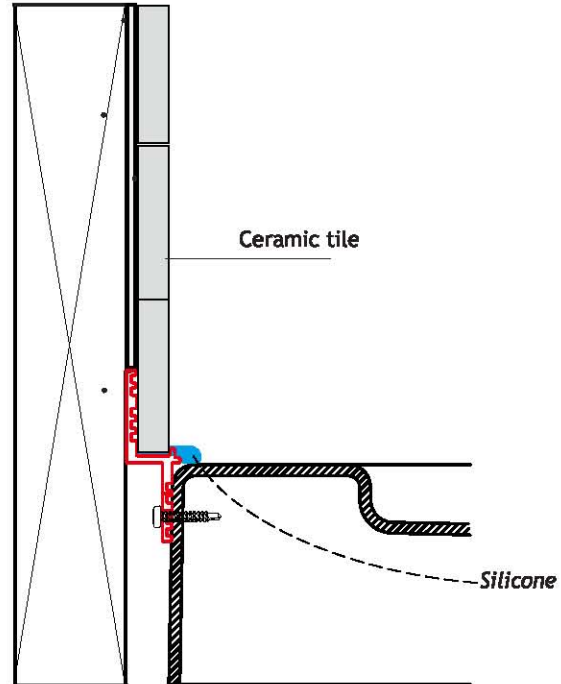


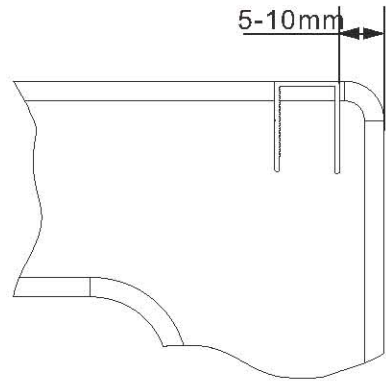
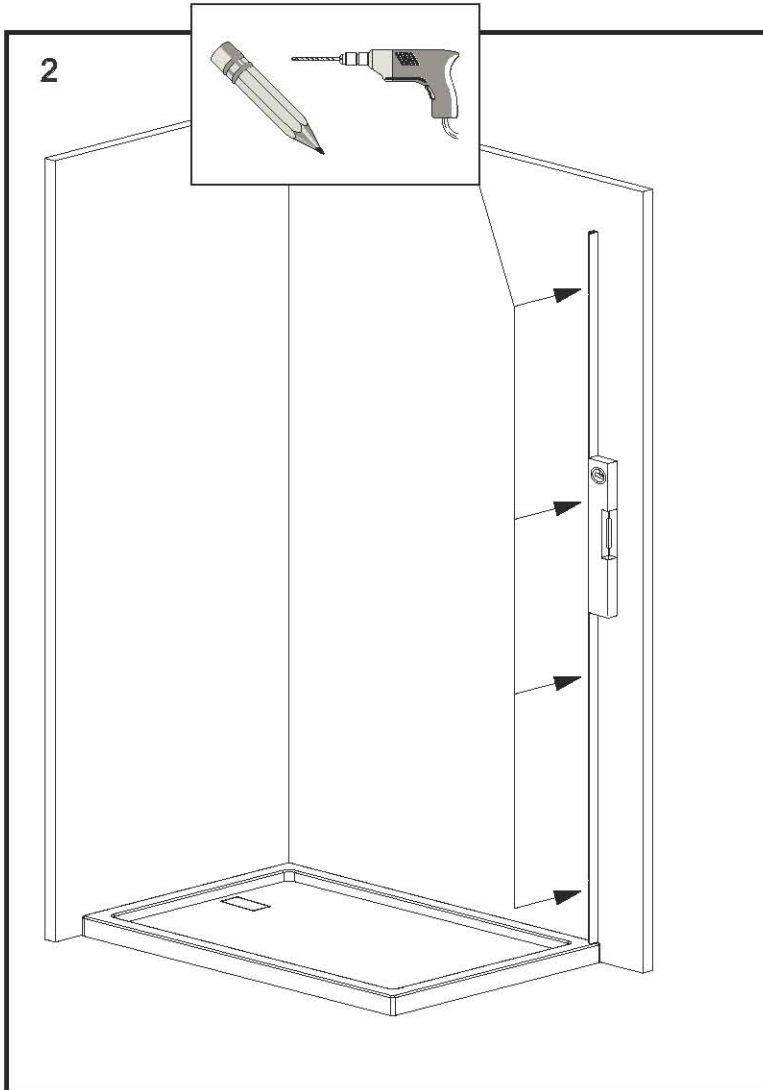
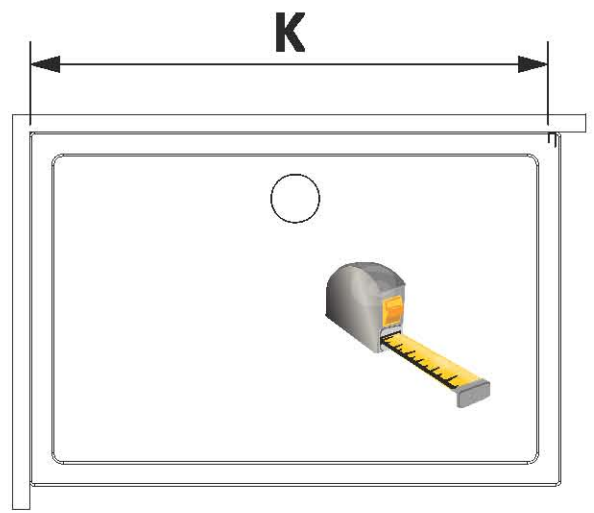
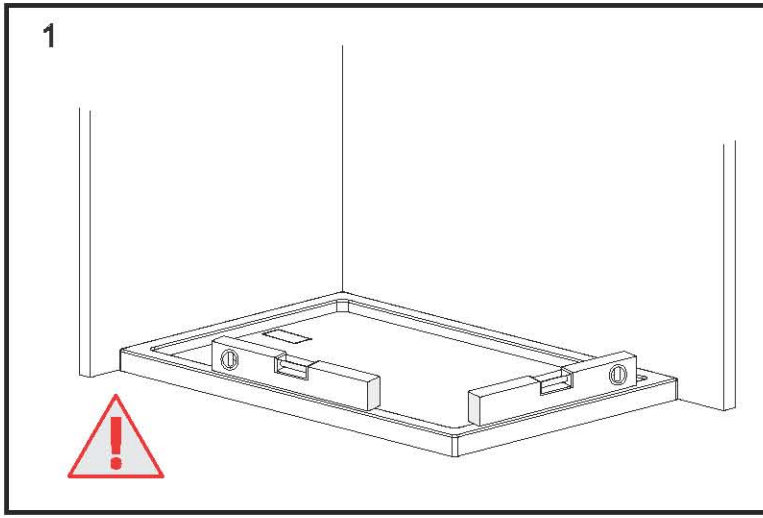
FINITION / FINISHING

TIPS TO ACHIEVE A PROFESSIONAL LOOKING AND WATERTIGHT FINISH

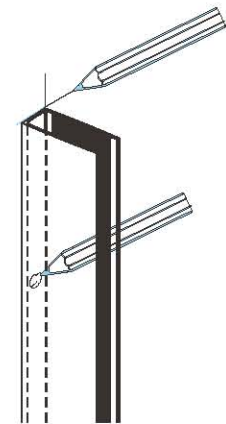


Apply silicone on the edge of the base. Then wipe the silicone surplus and let dry 24H

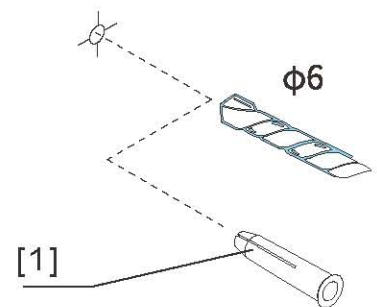




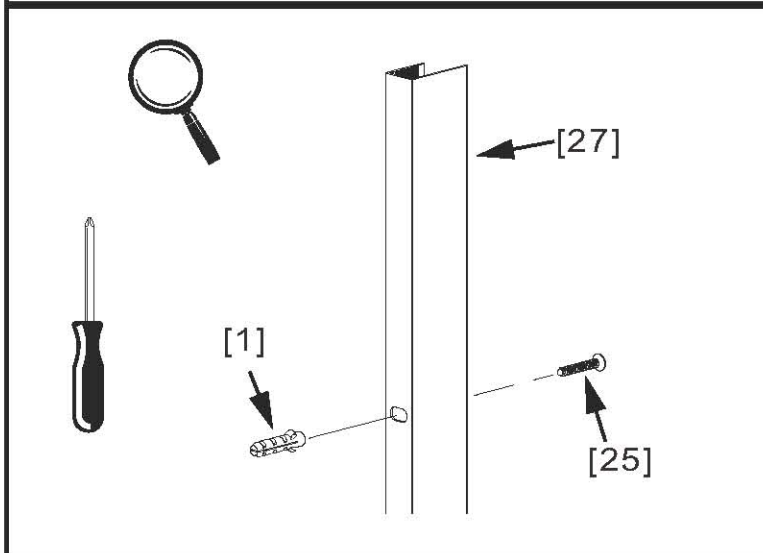
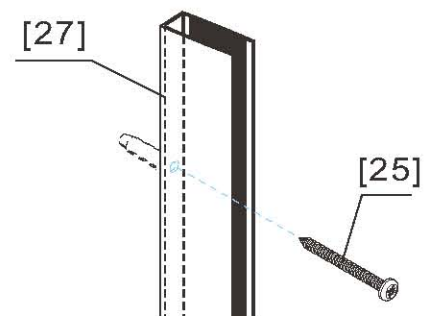
2.1



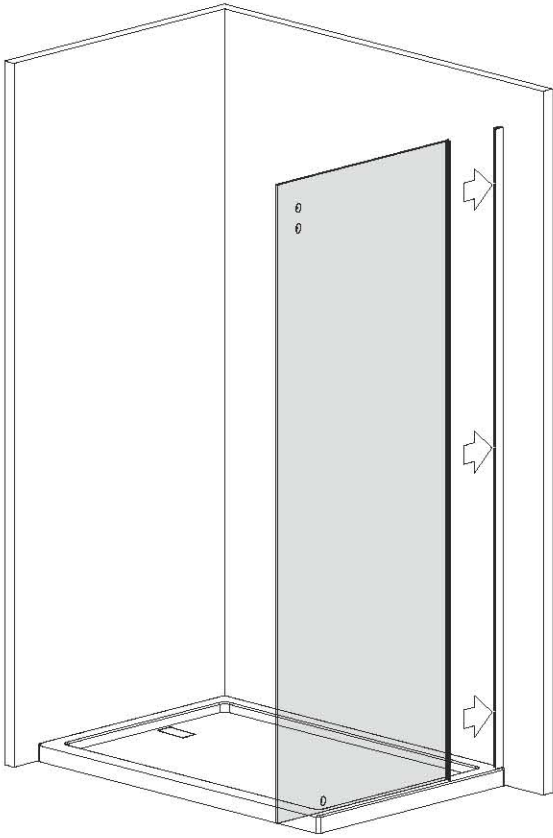
2.2



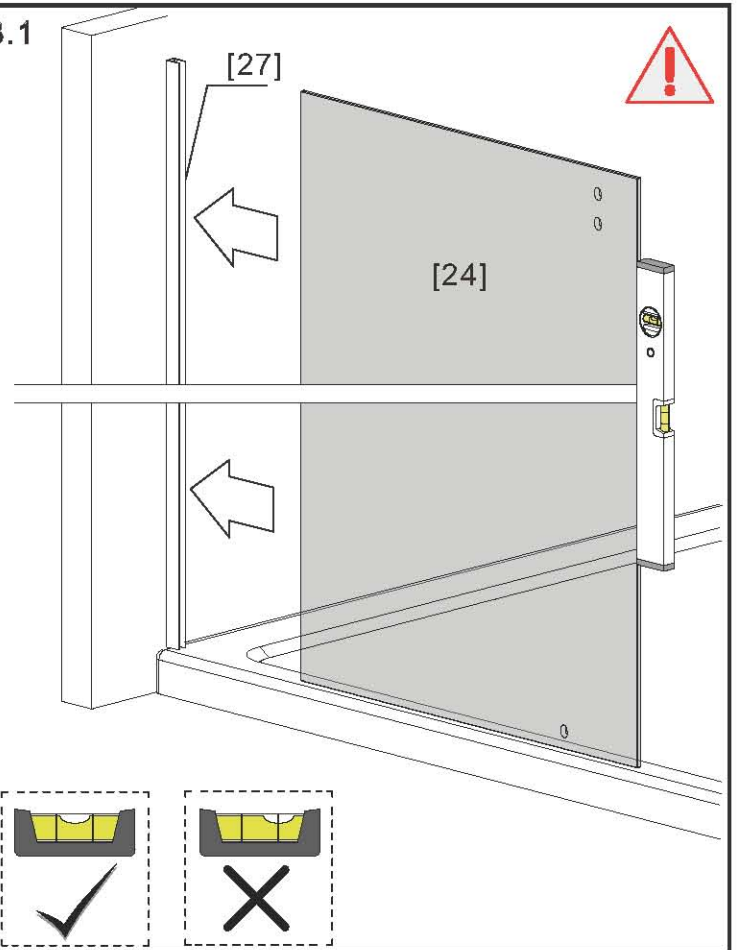
2.3



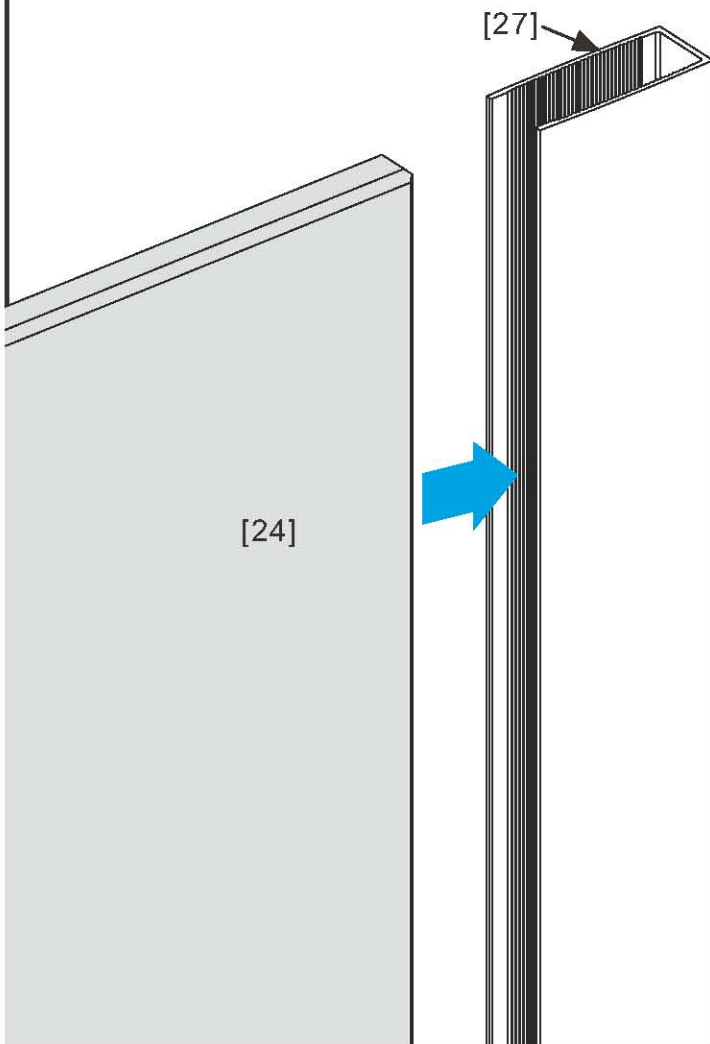
3



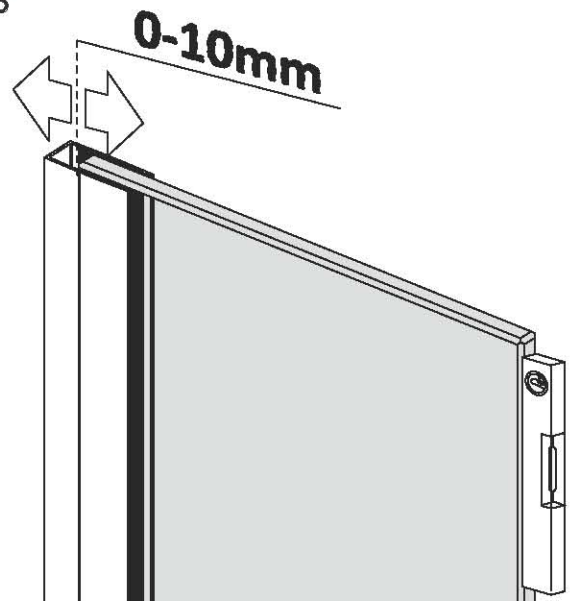
3.1



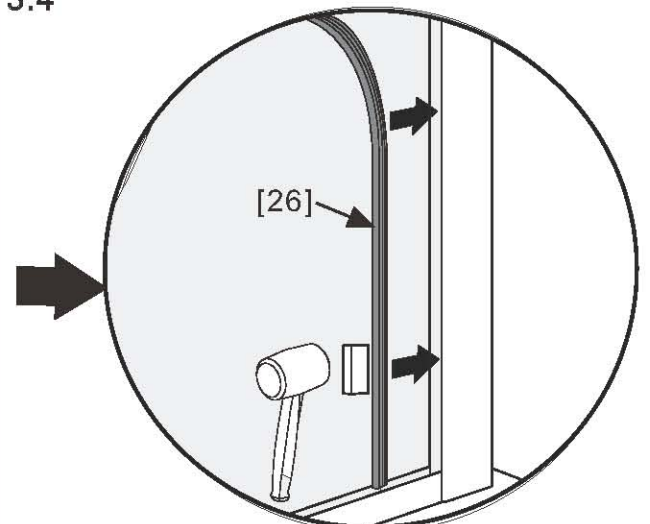
3.2

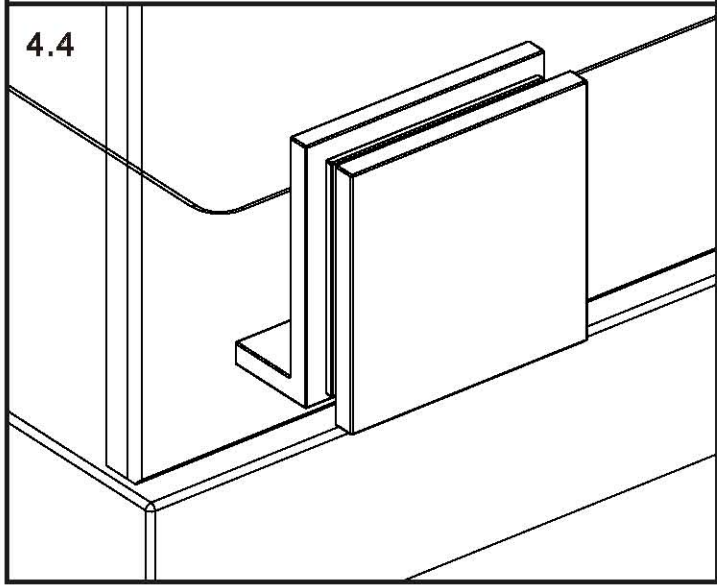
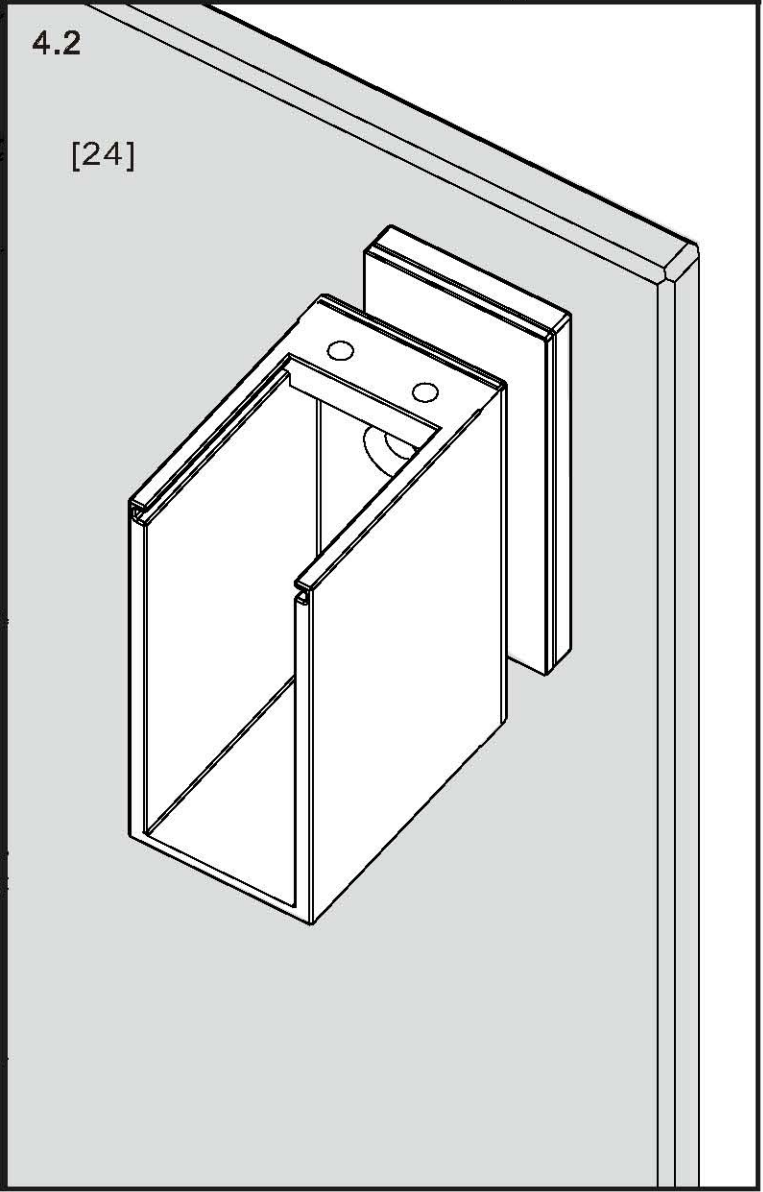
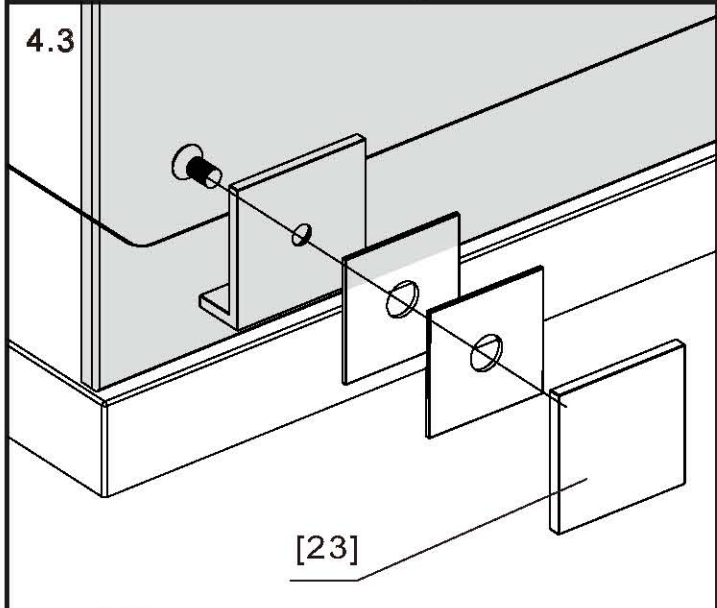
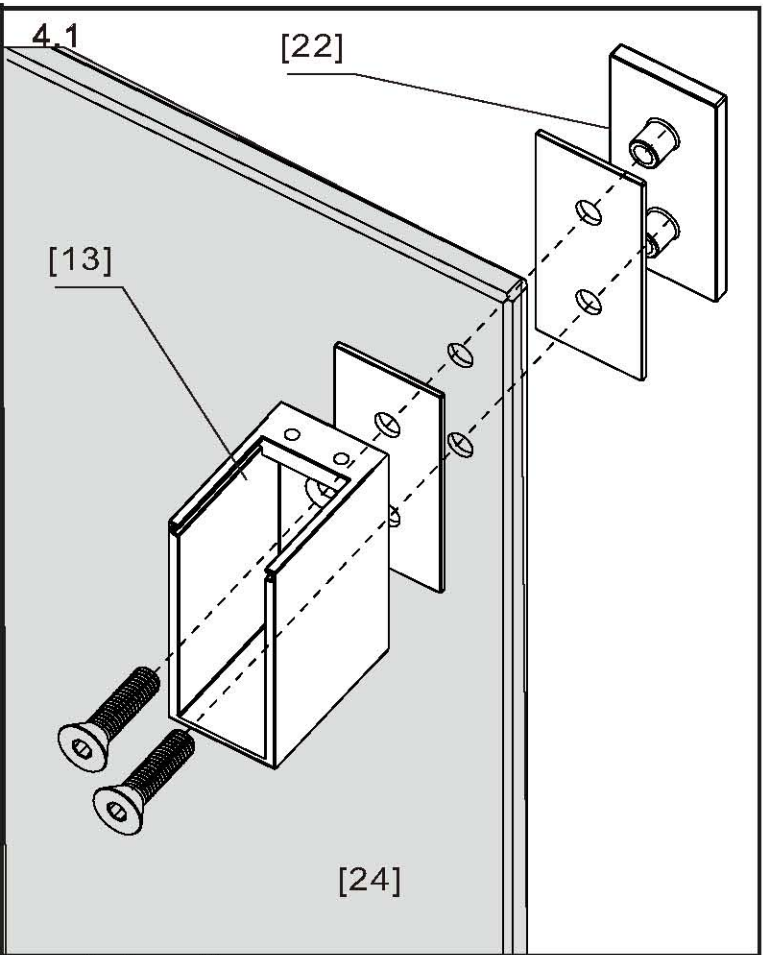
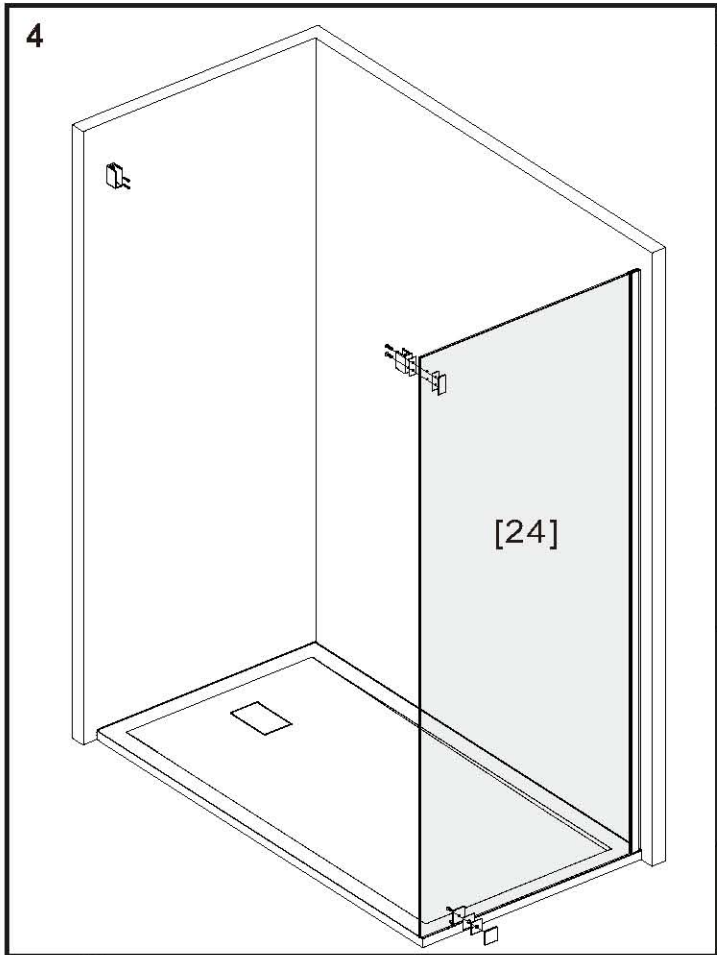


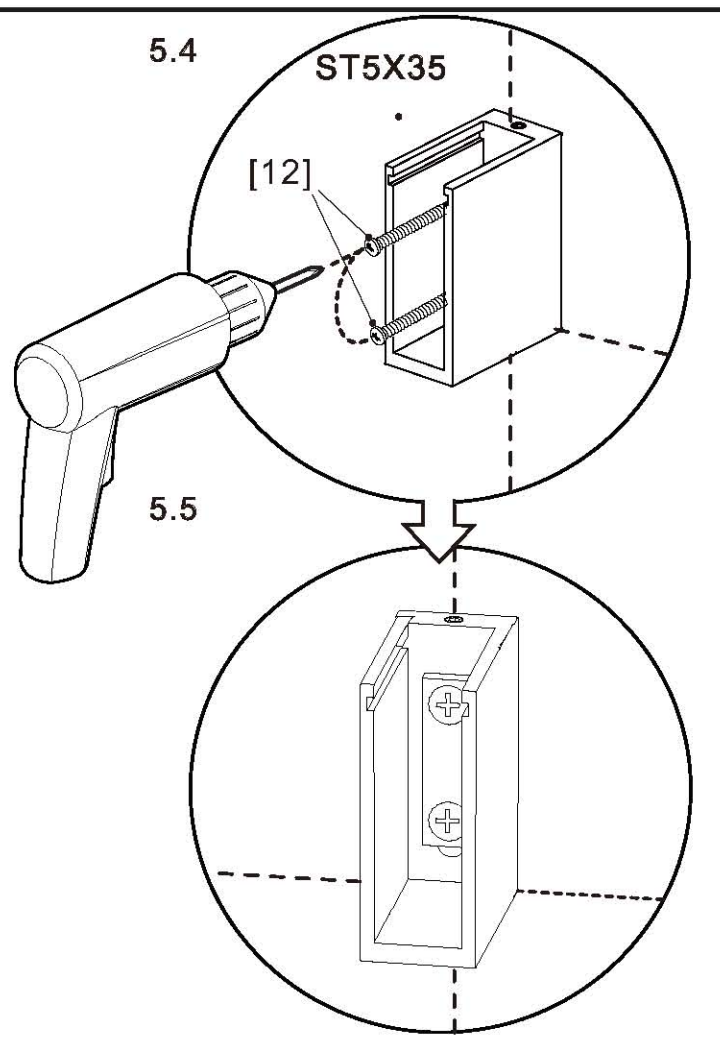
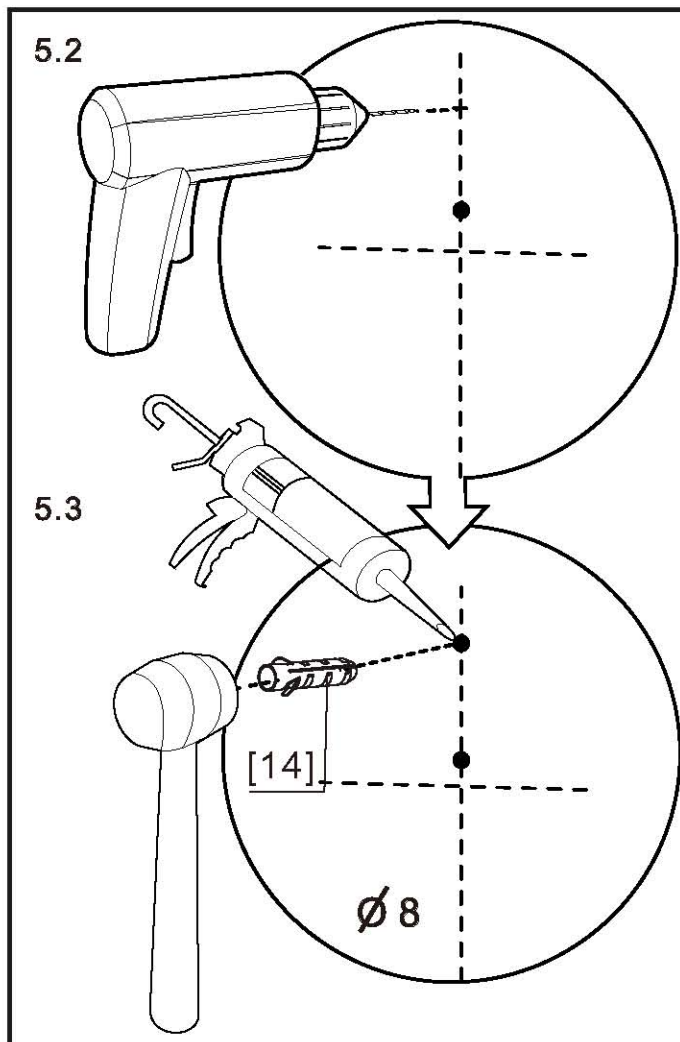
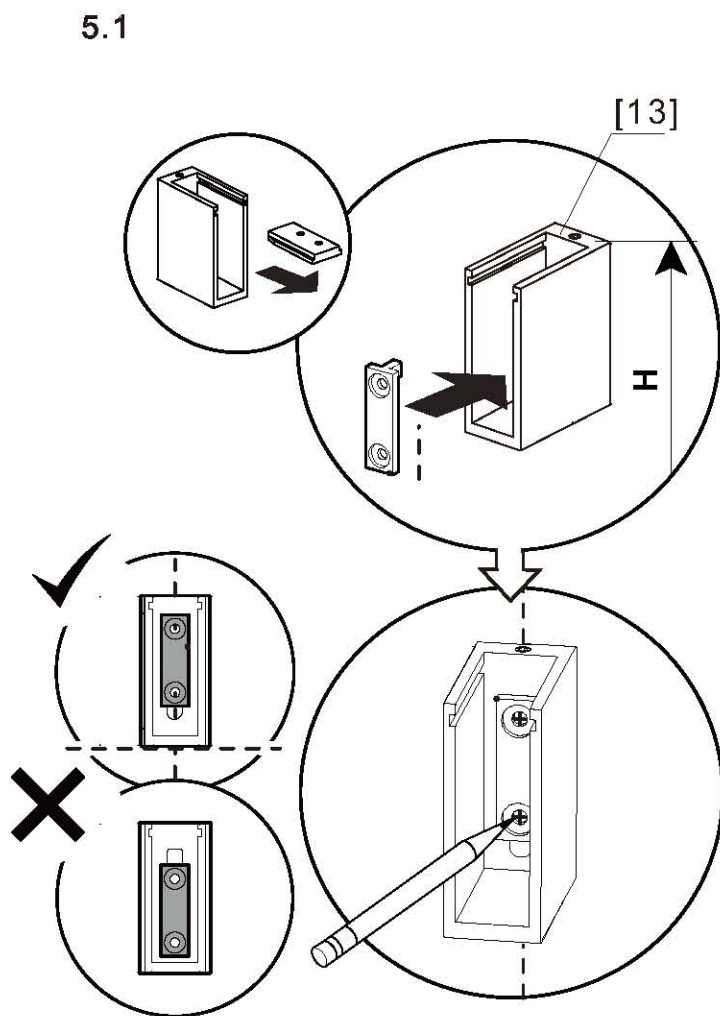
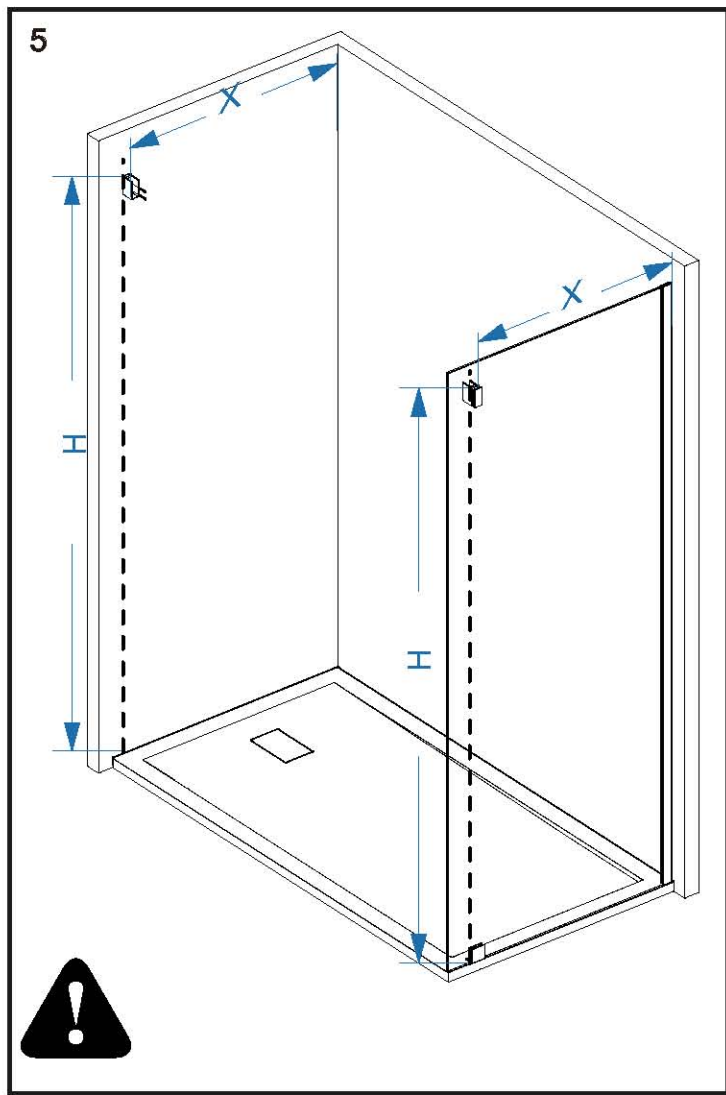
3.3

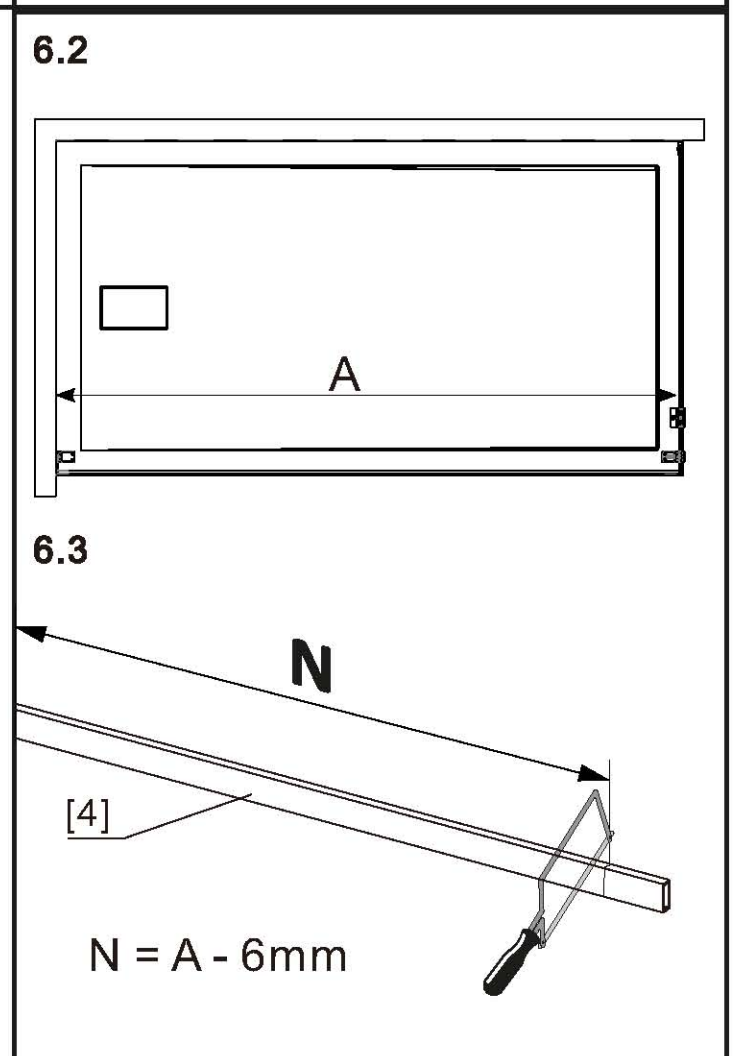
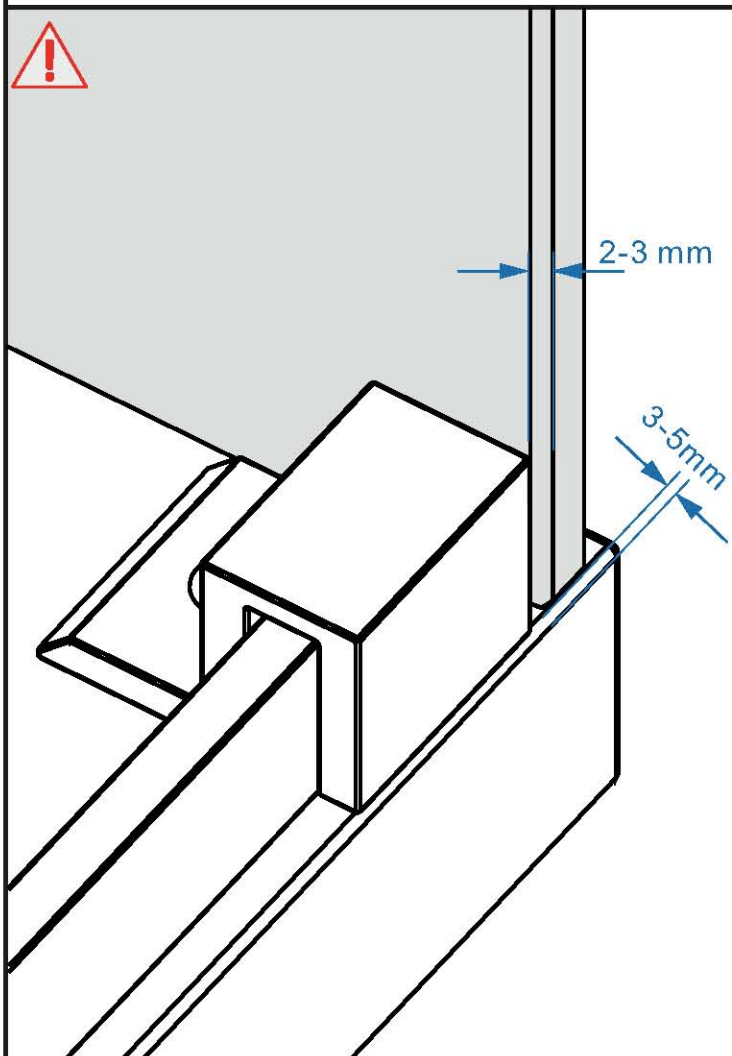
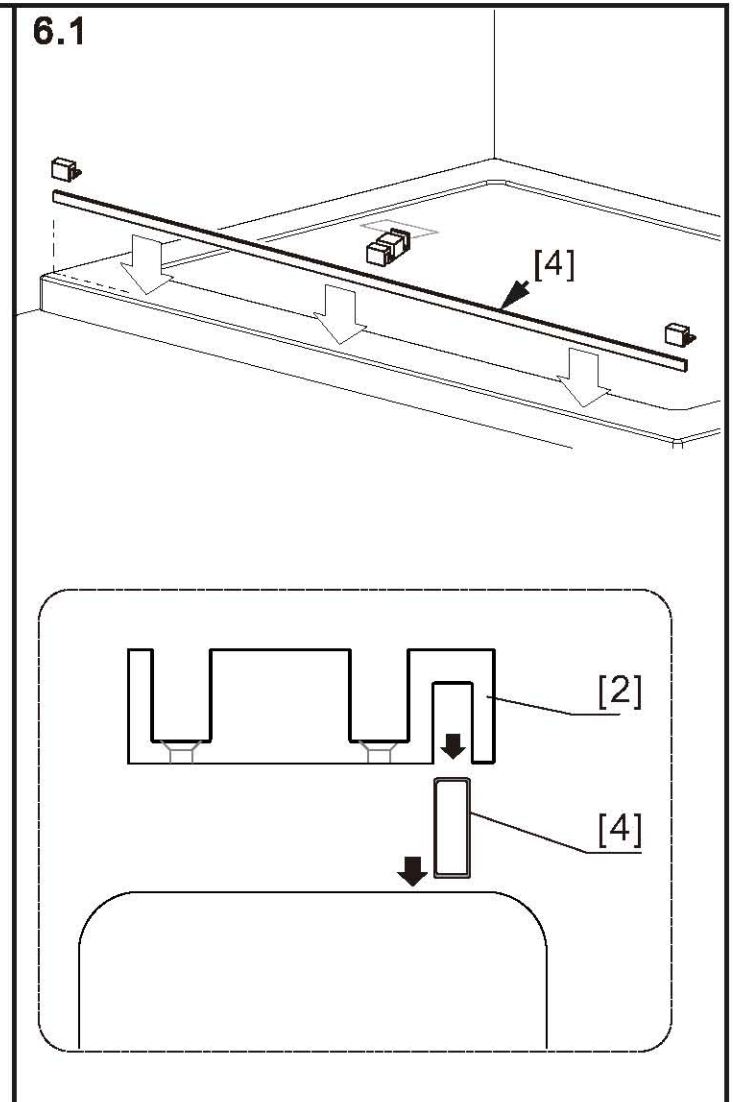
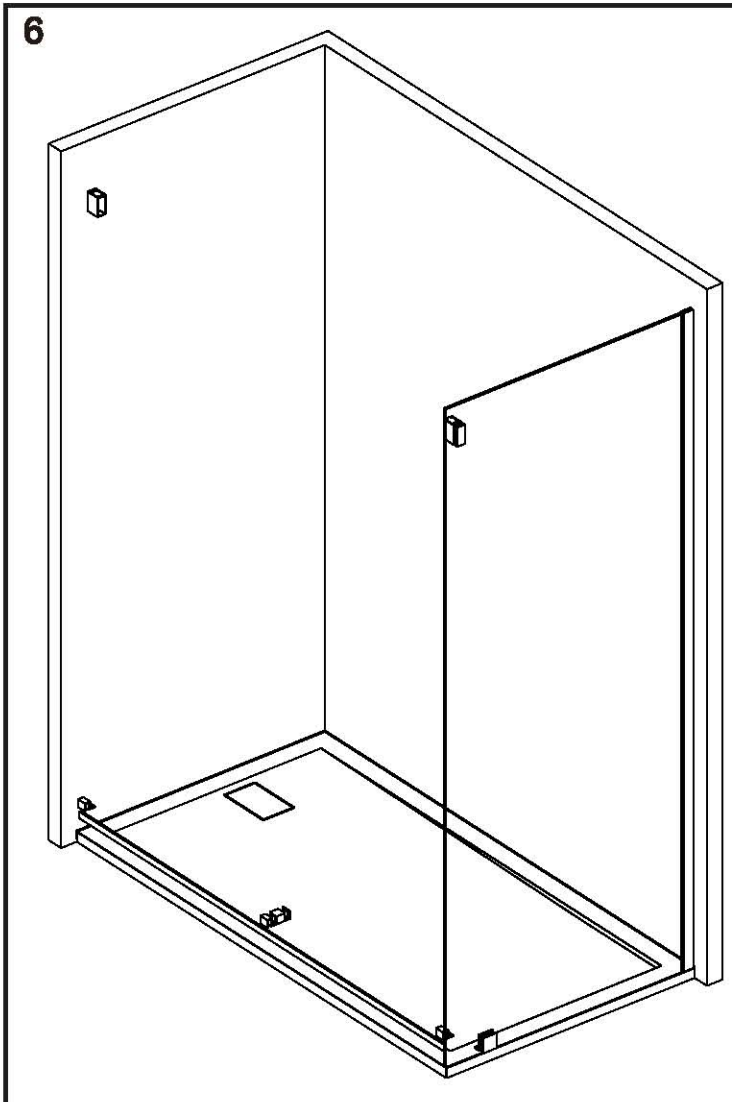


3.4

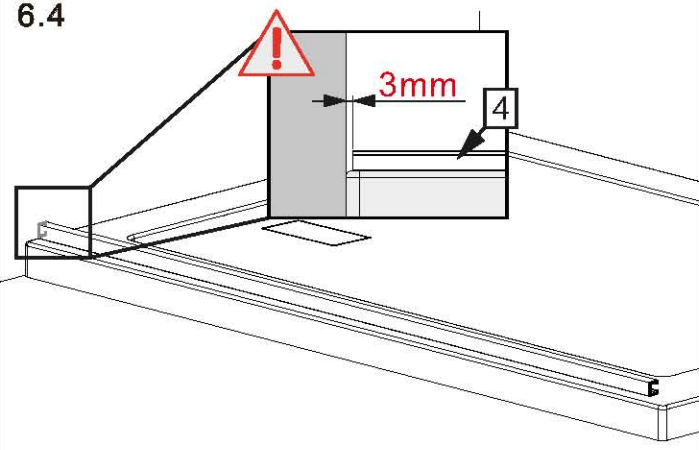




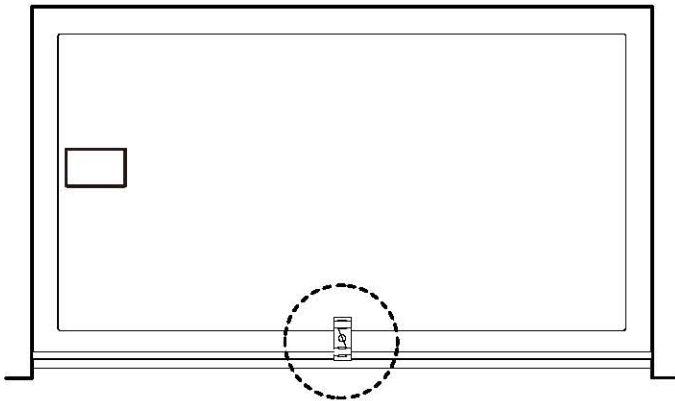




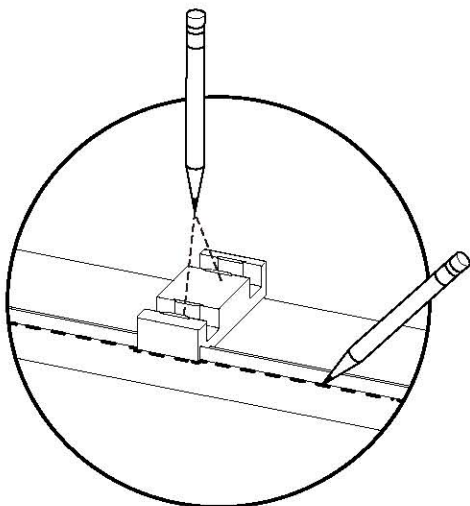
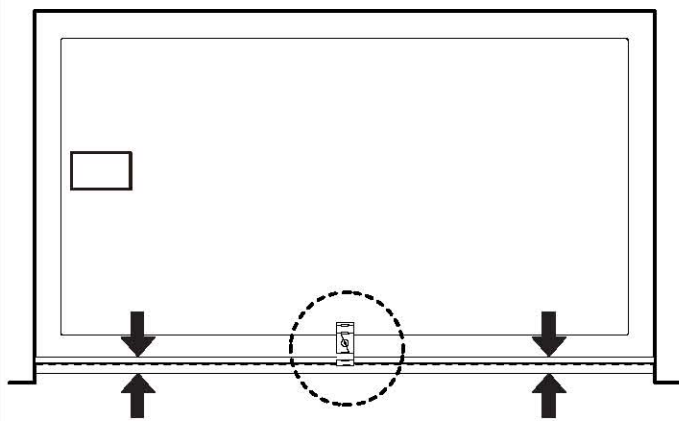
6.4



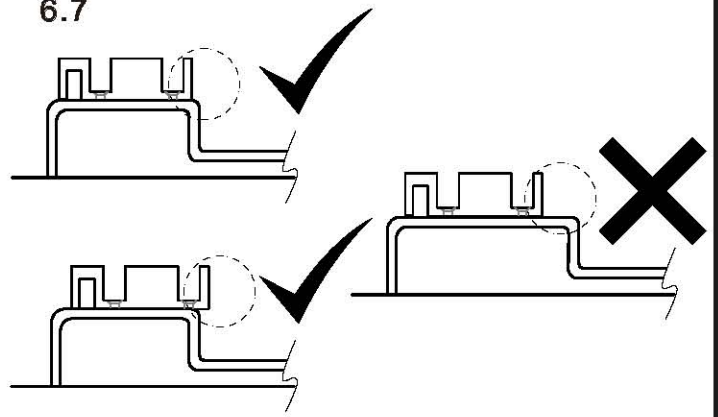
6.5



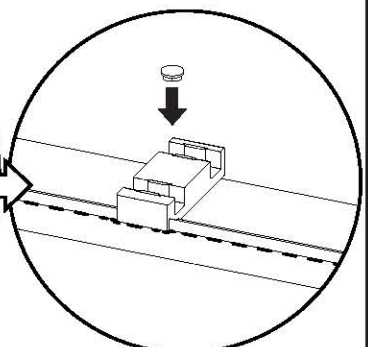
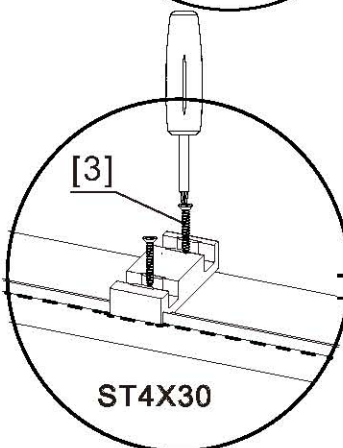
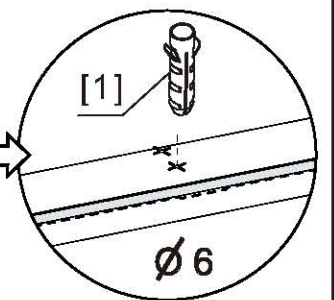
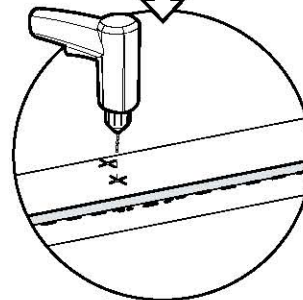
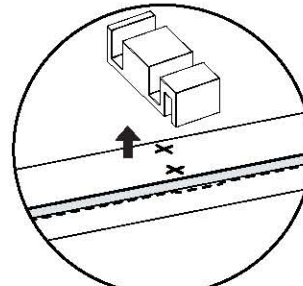
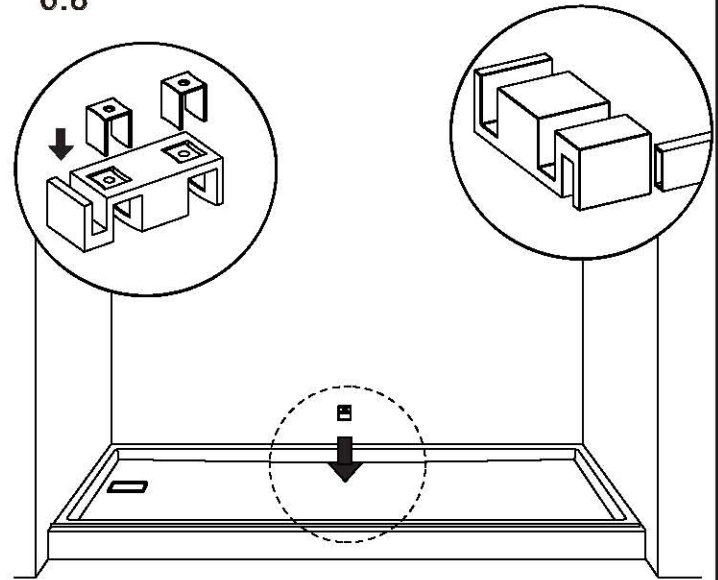
6.6

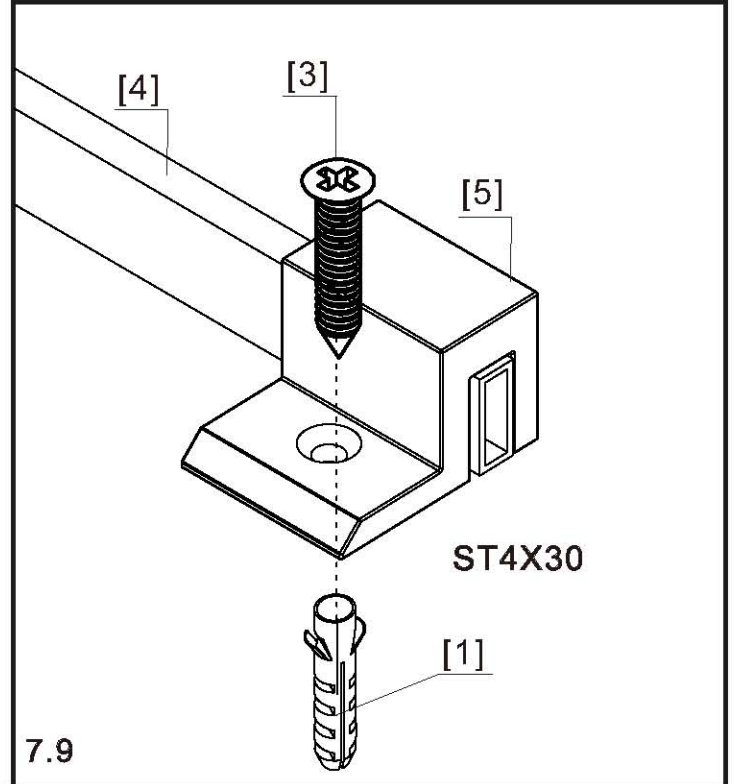
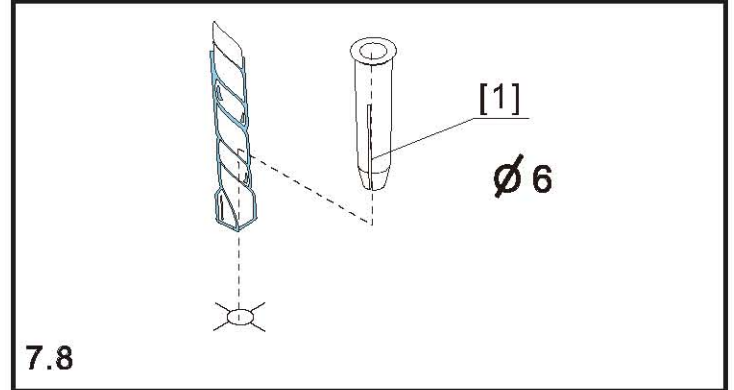
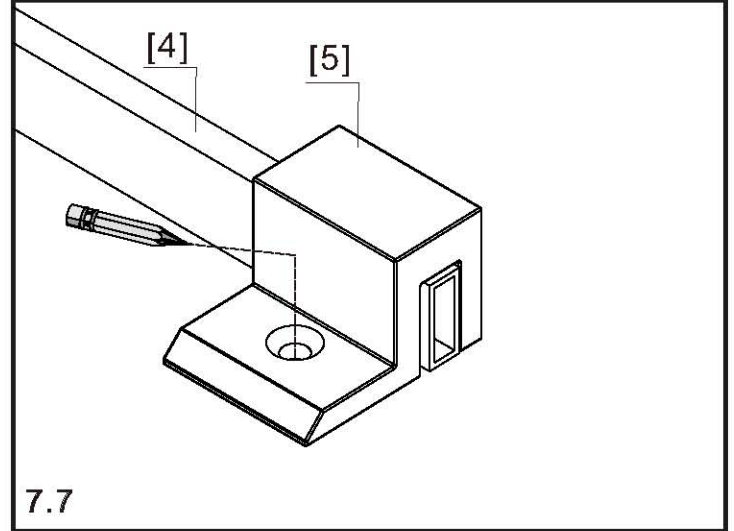
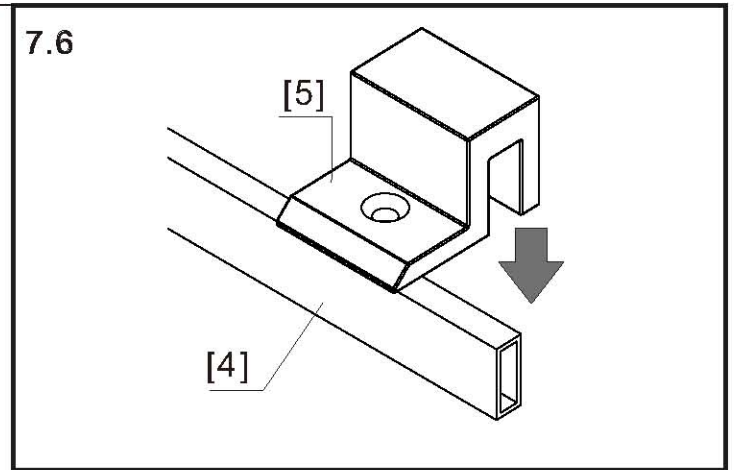
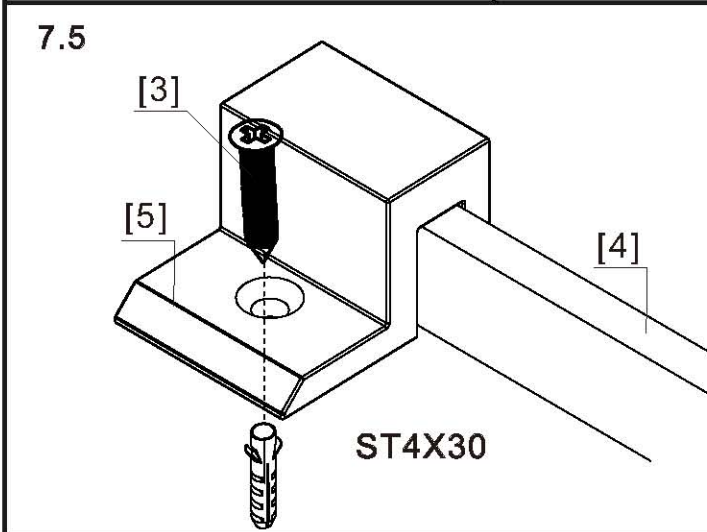
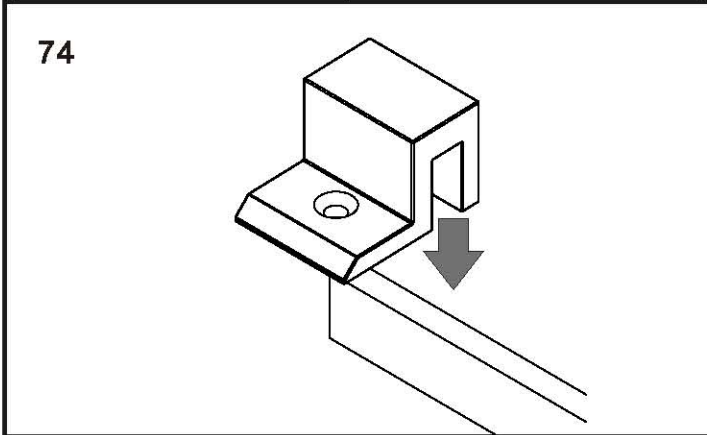
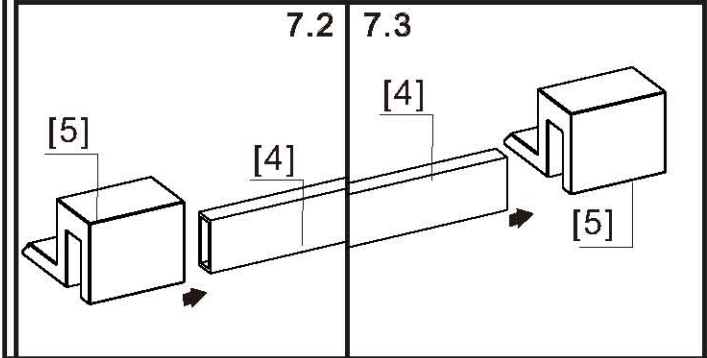
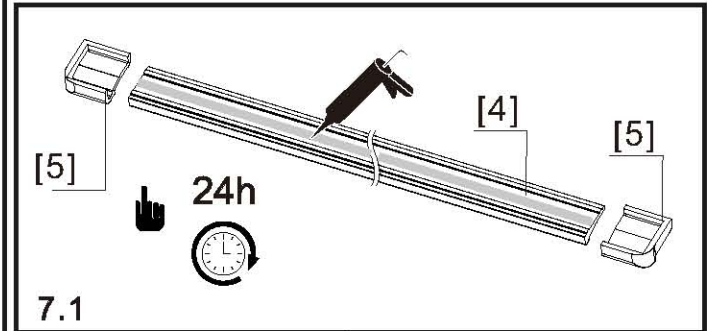
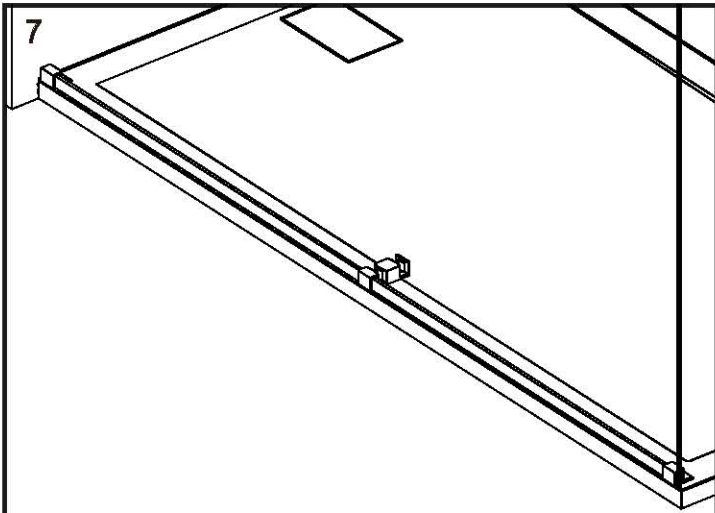


6.7

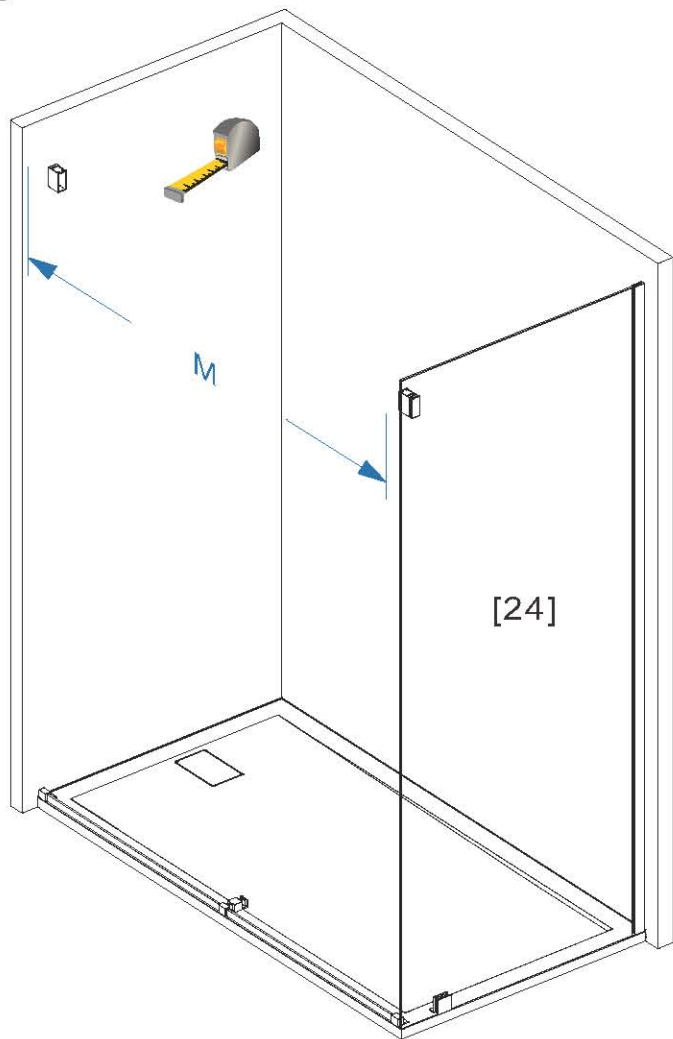


6.8

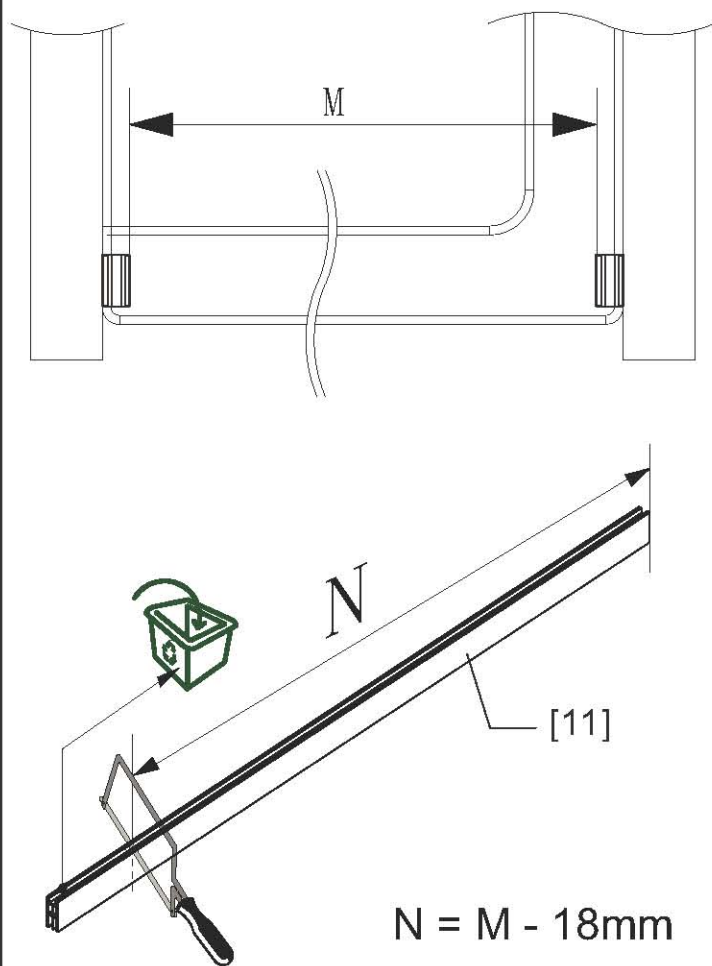




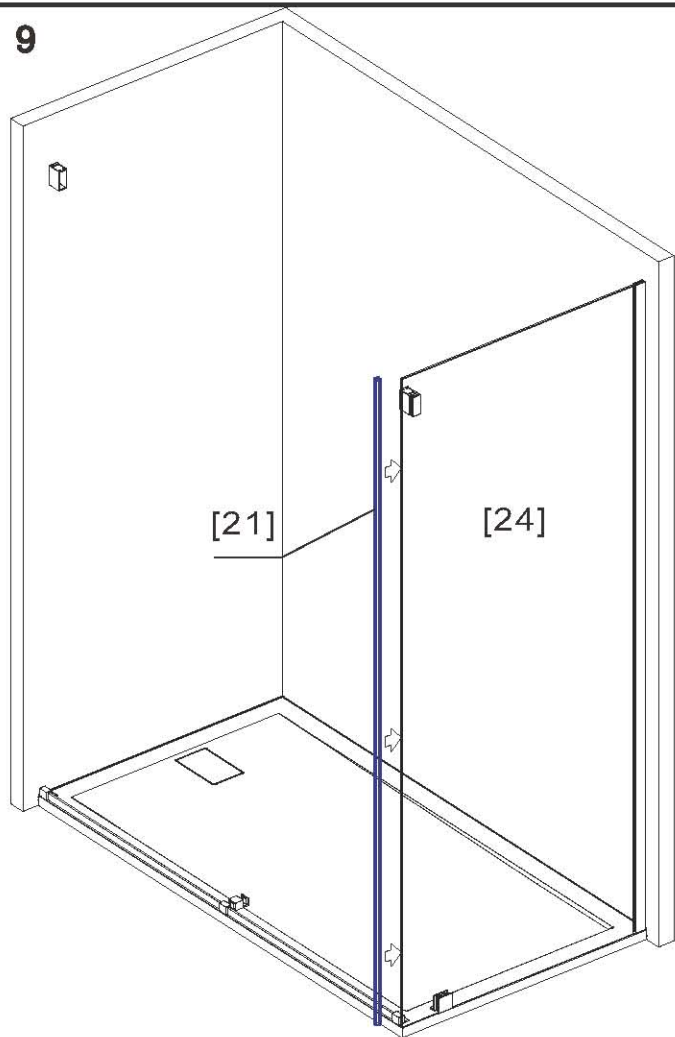
8



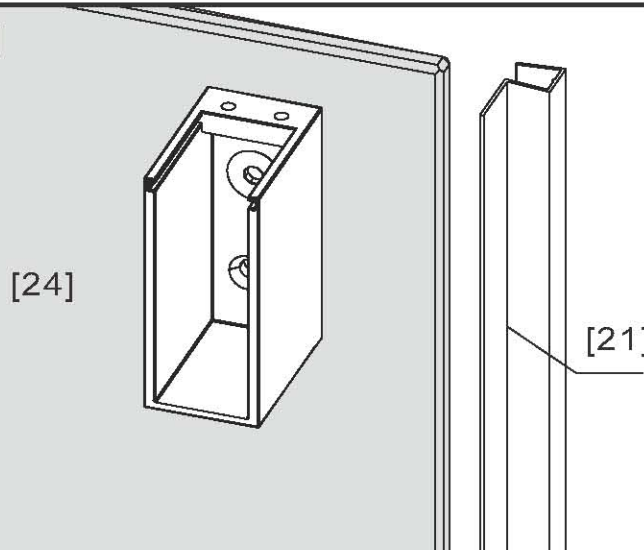
8.1



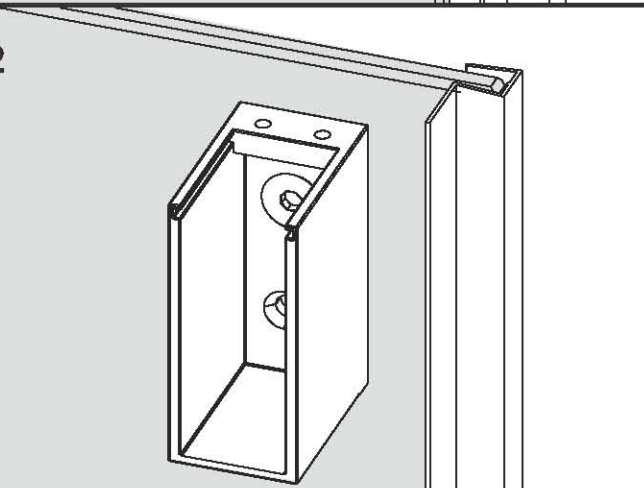
9



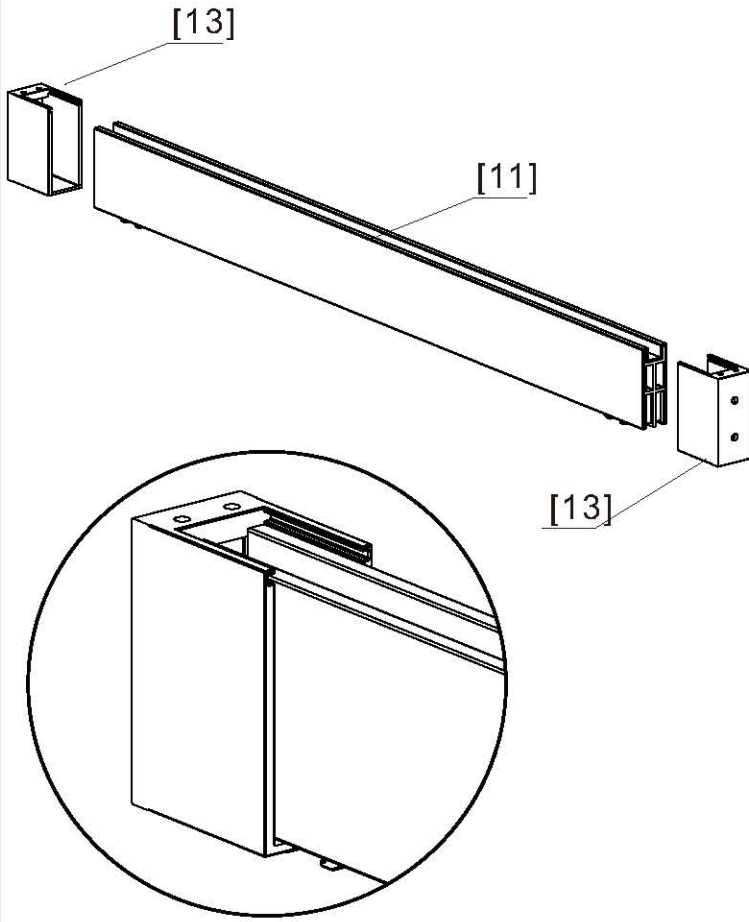
9.1



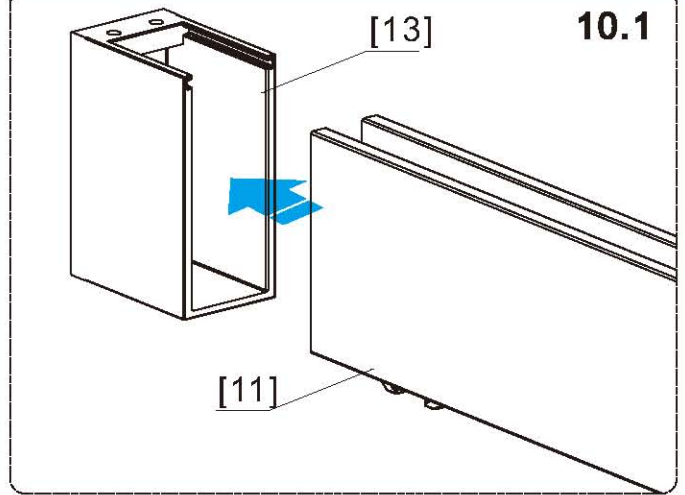
9.2



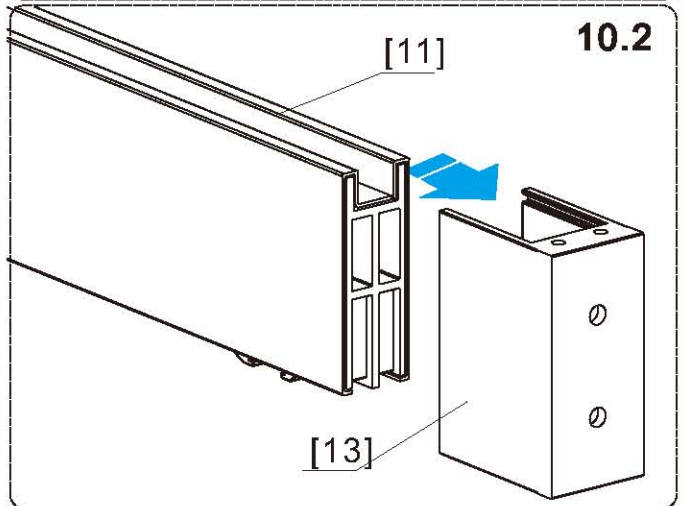
10



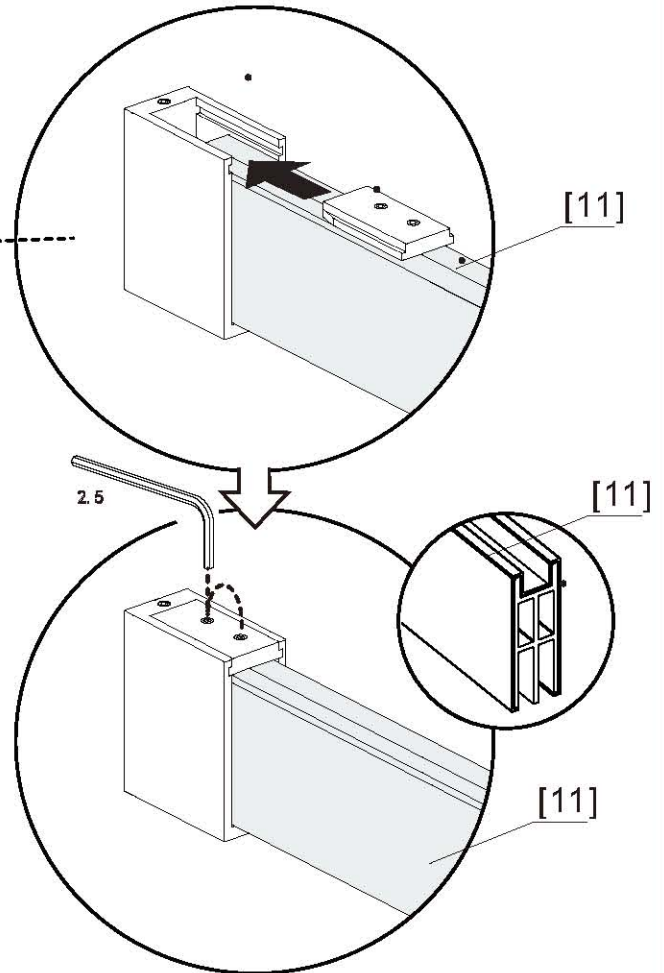
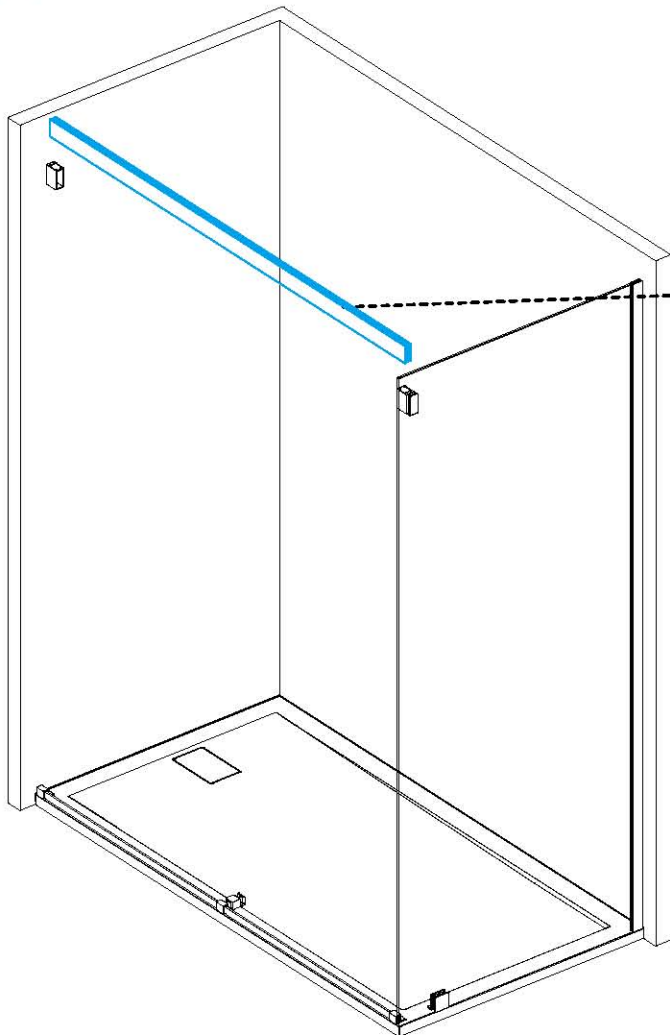
10.1



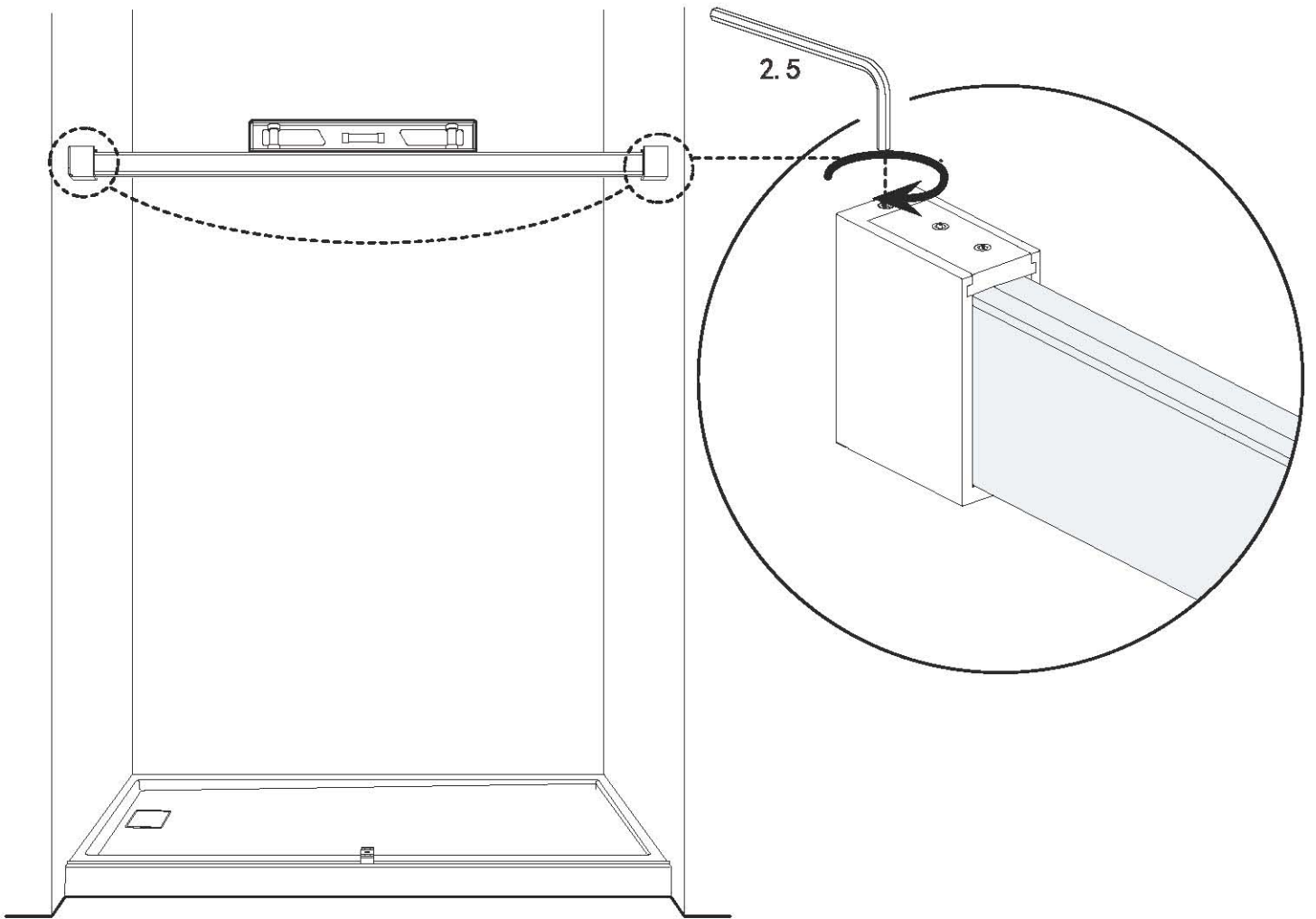
10.2



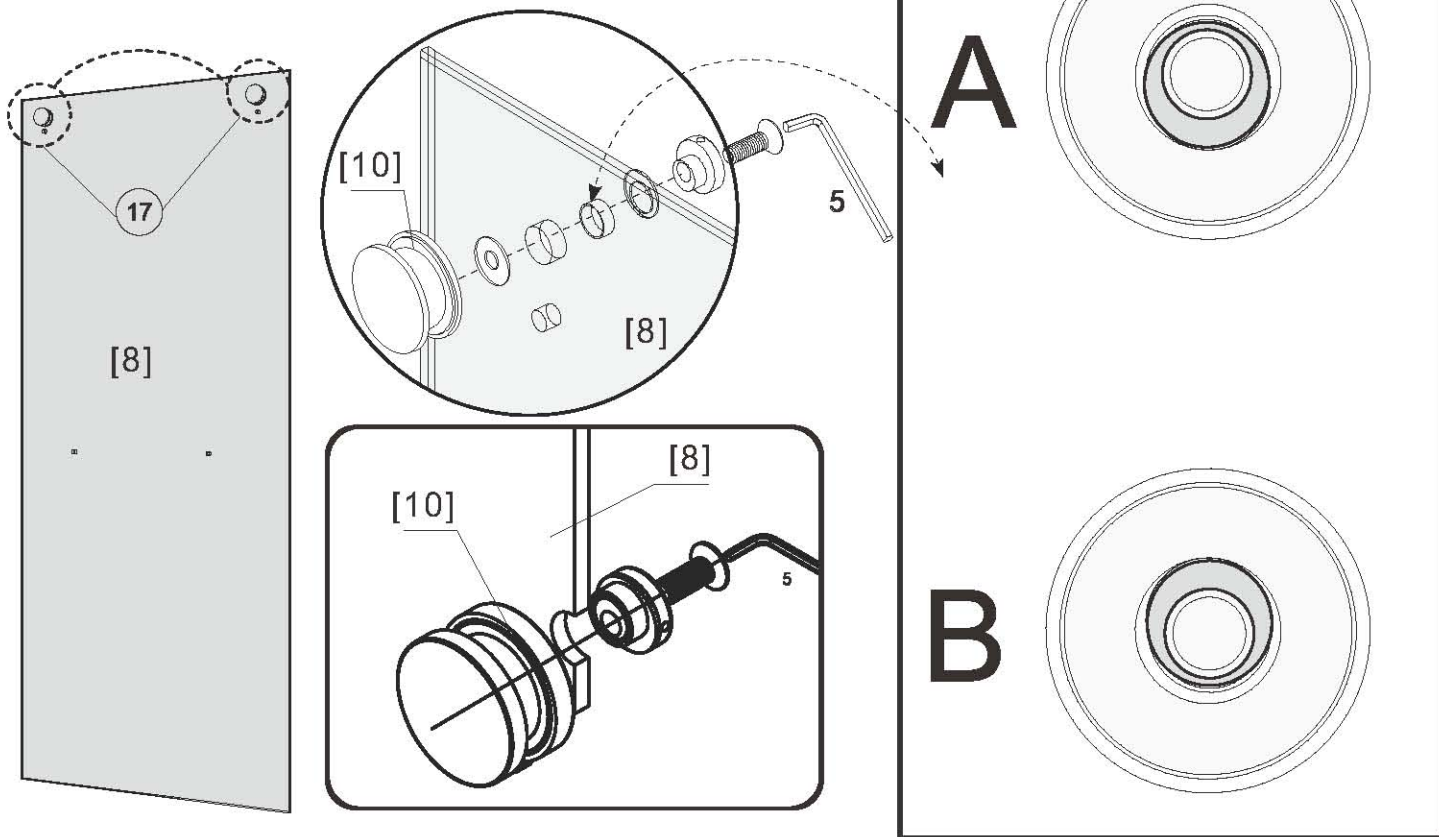
11



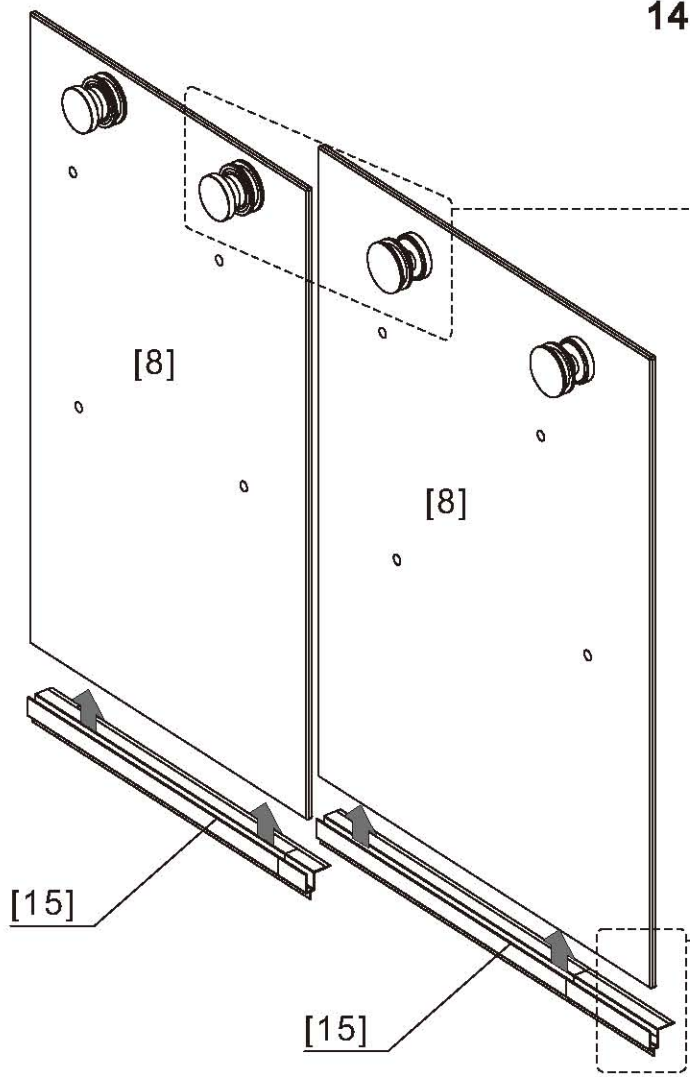
12



13



14



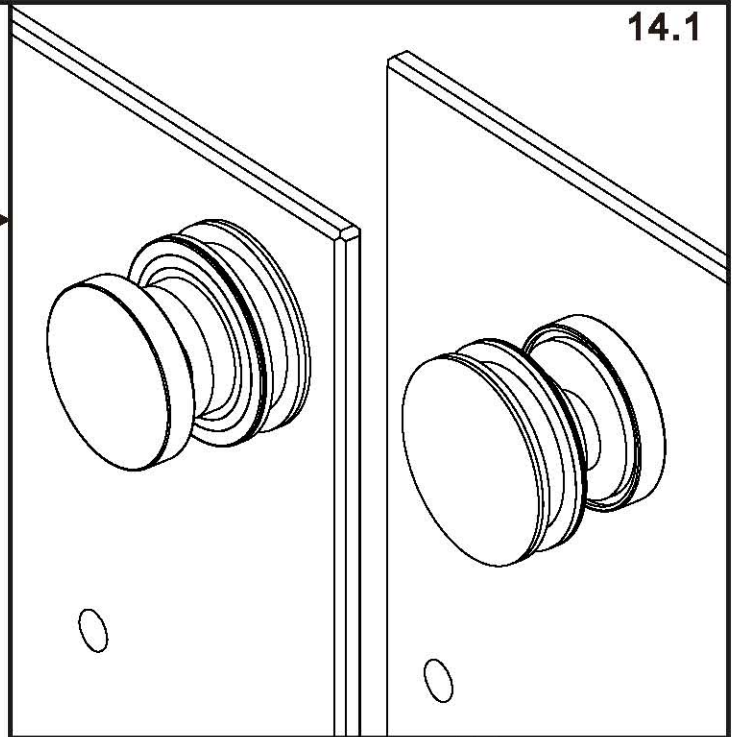
[15]

[15]

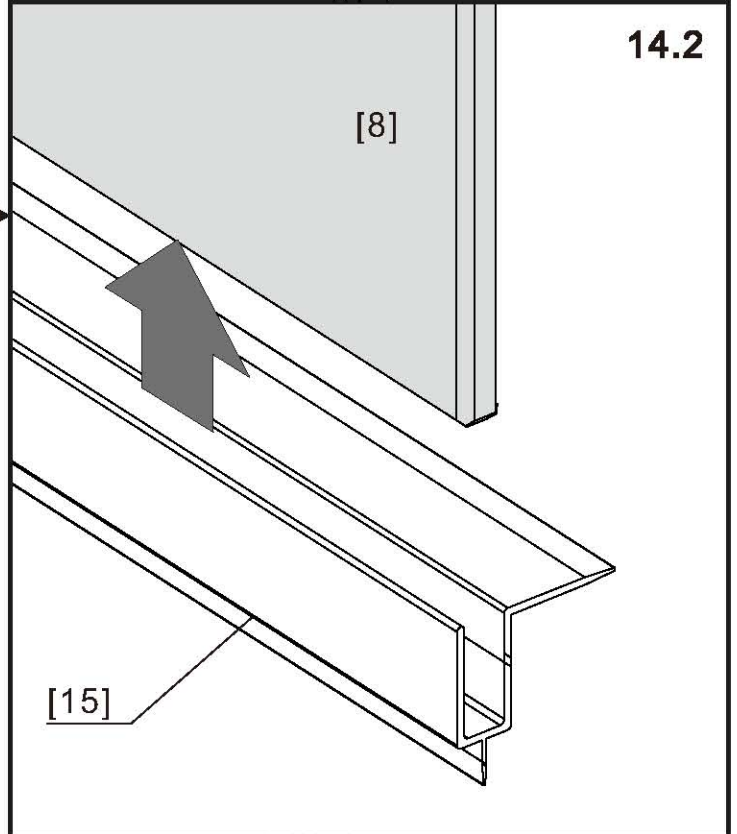
[8]

[8]

14.1



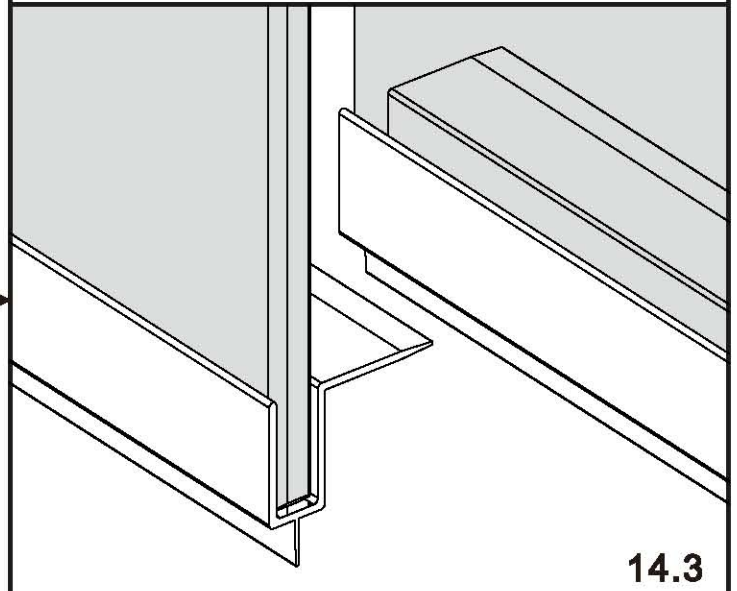
14.2



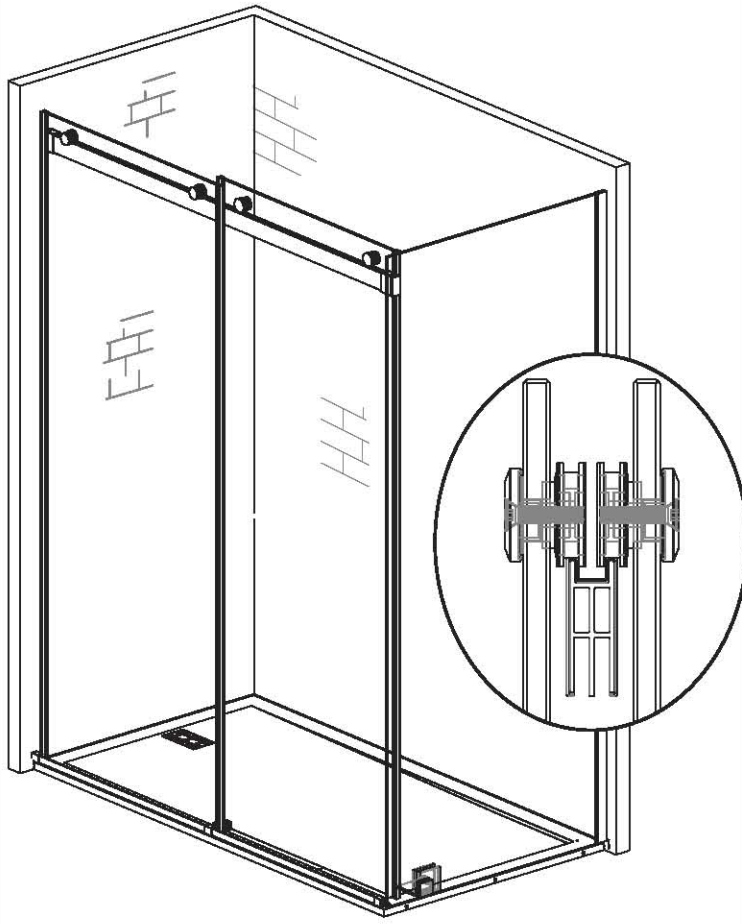
[15]

[8]

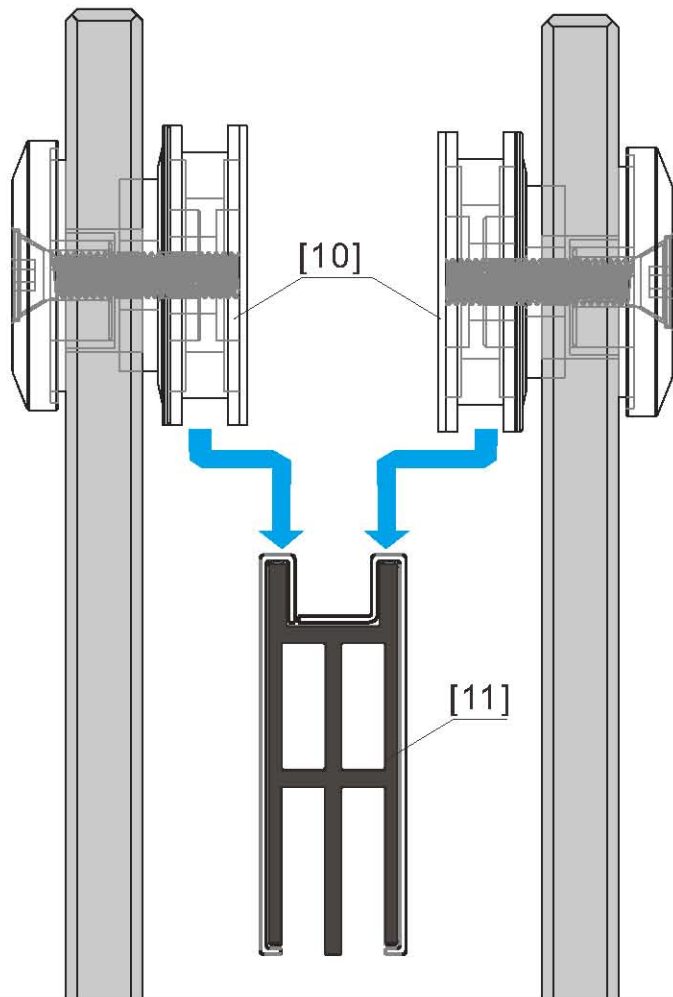
14.3



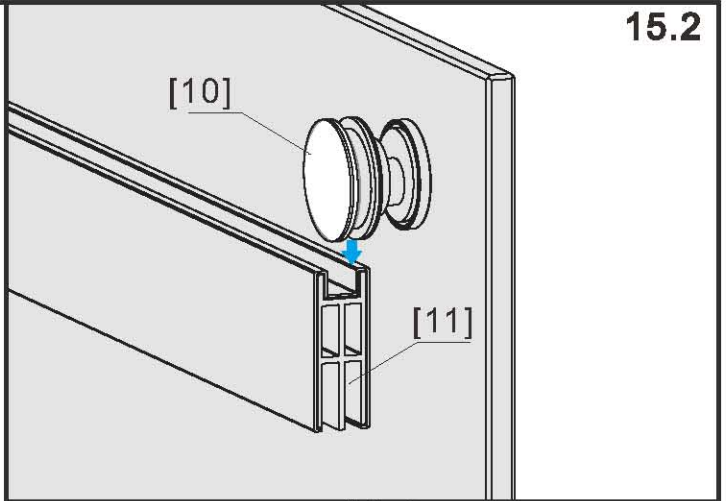
15



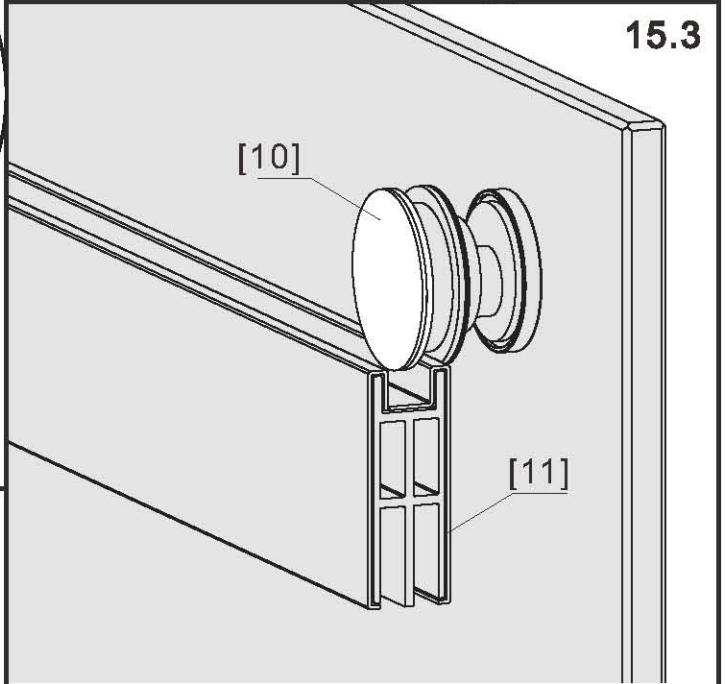
15.1



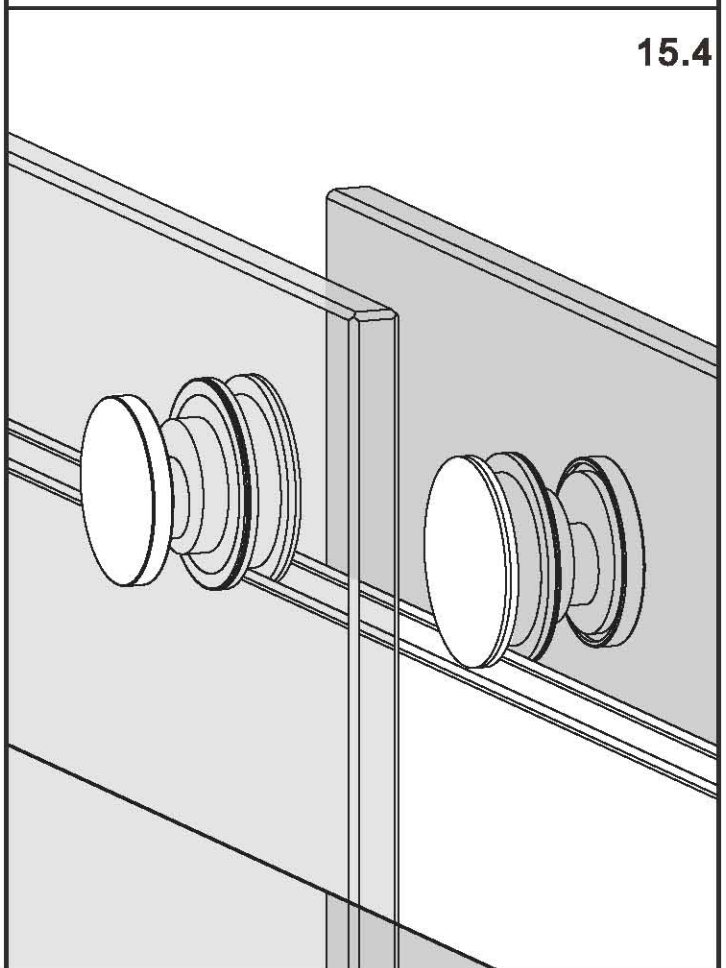
15.2



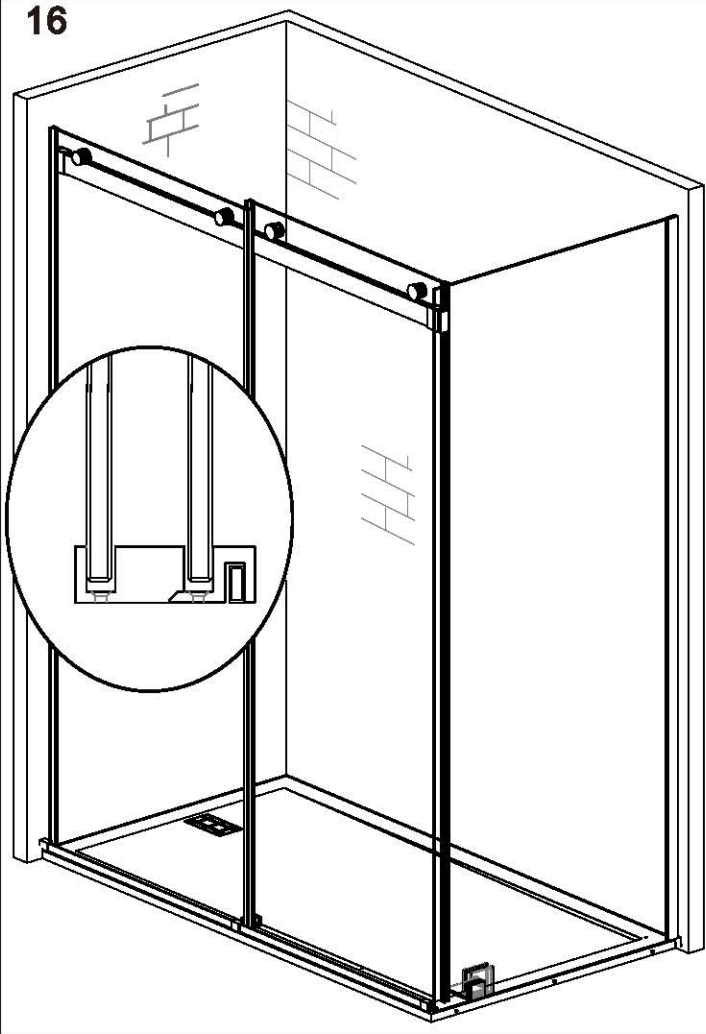
15.3



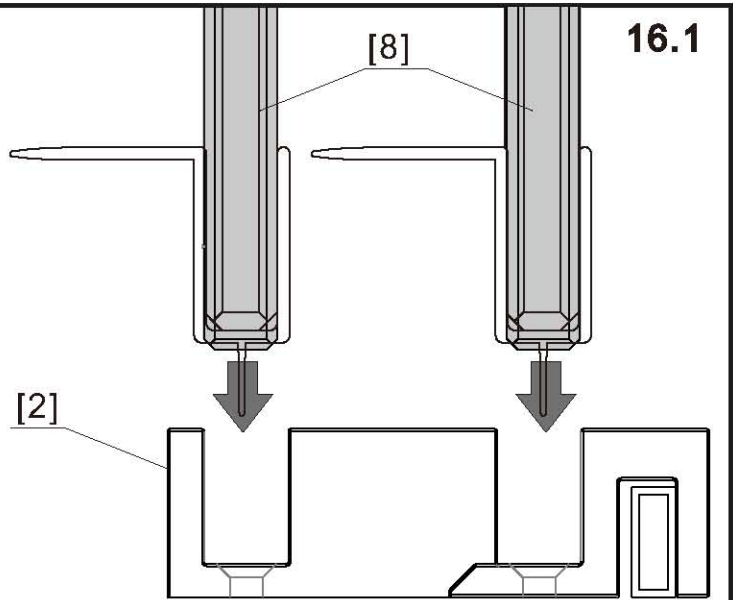
15.4



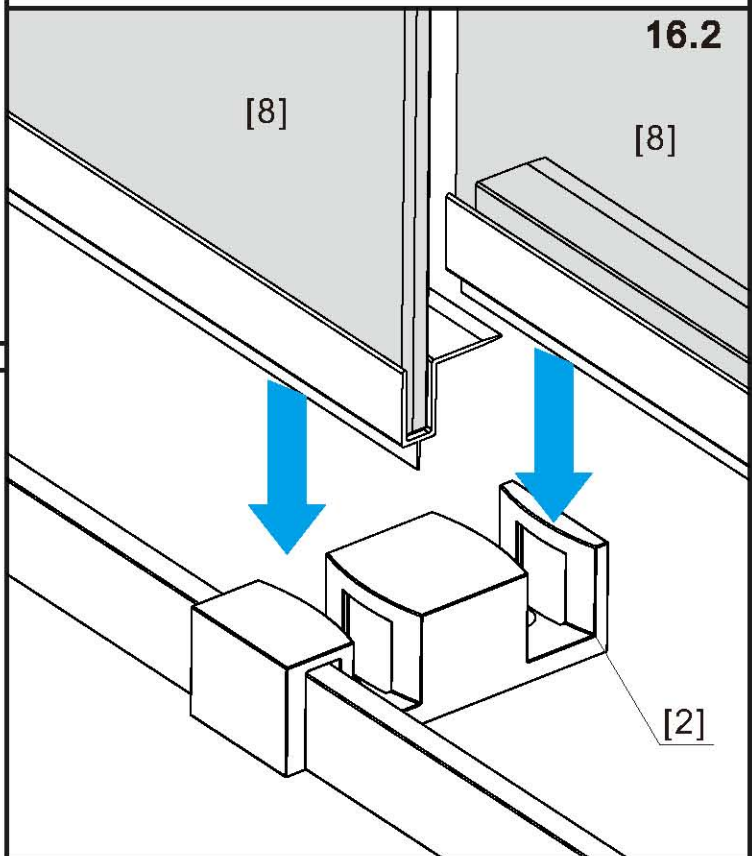
16



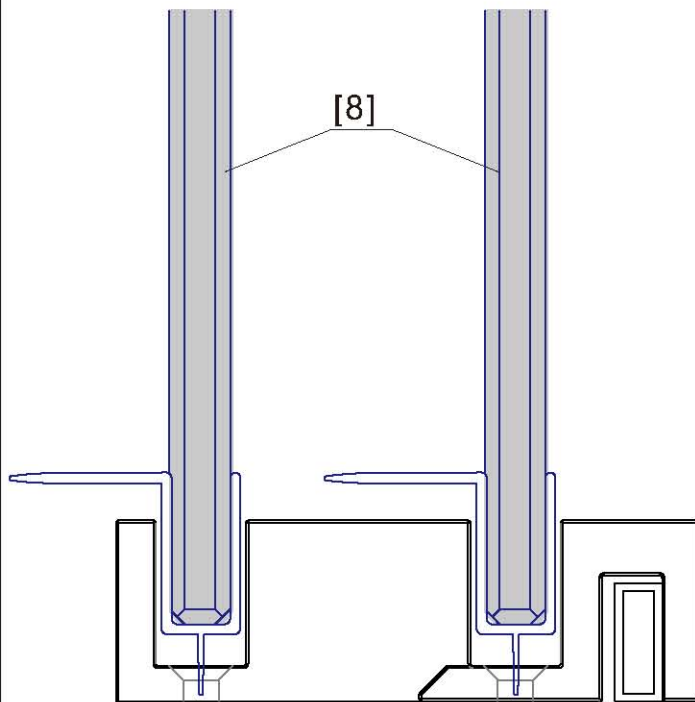
16.1



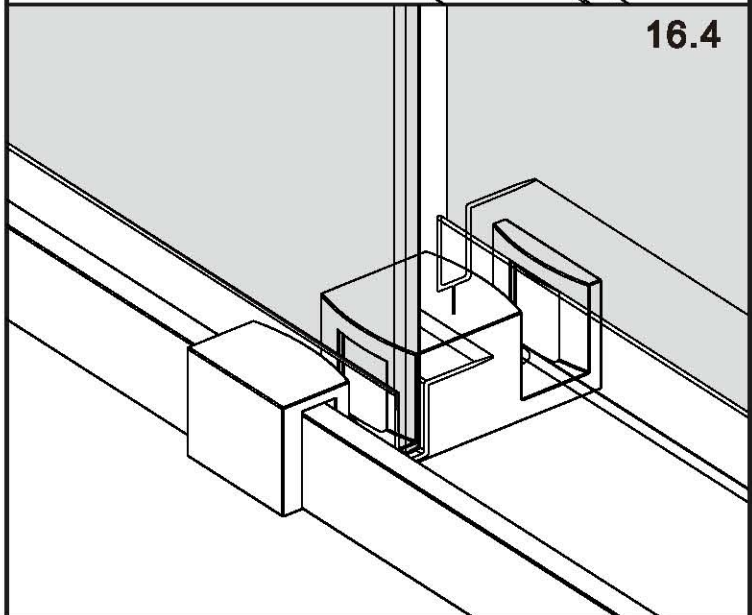
16.2



16.3

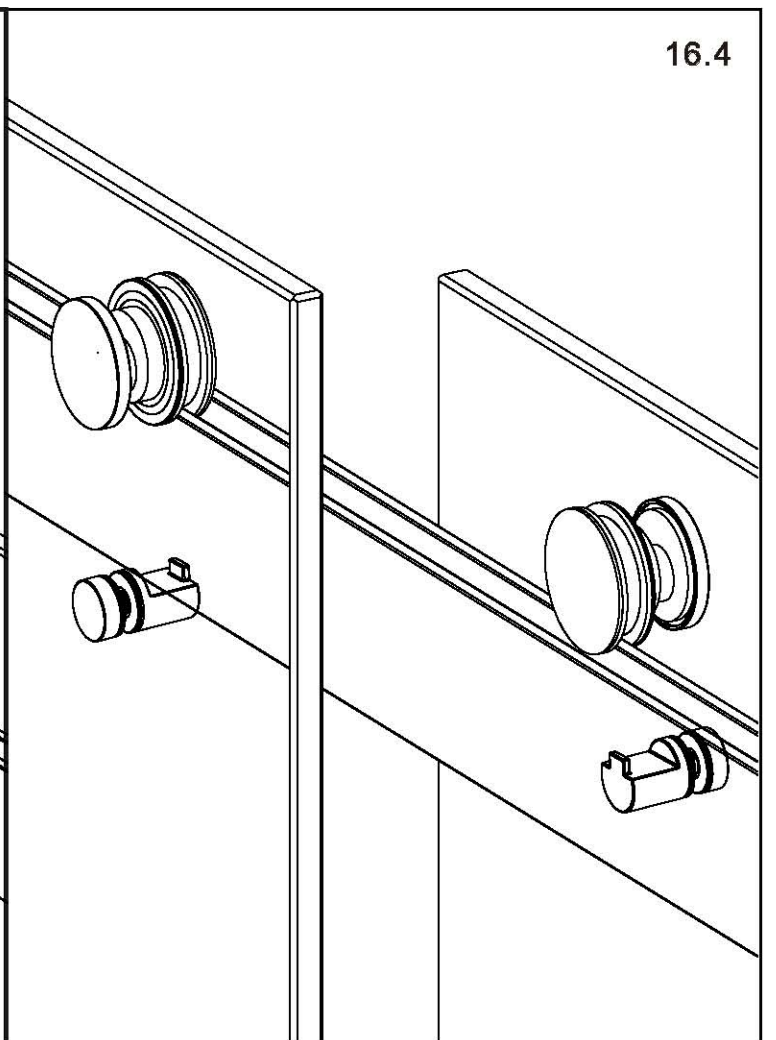
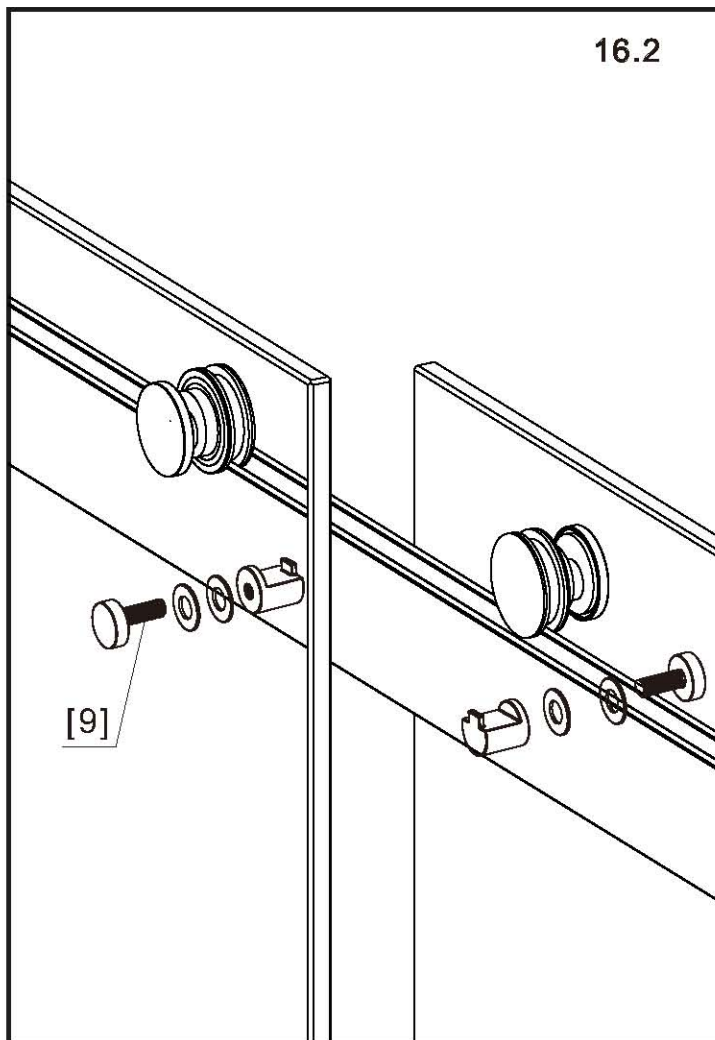
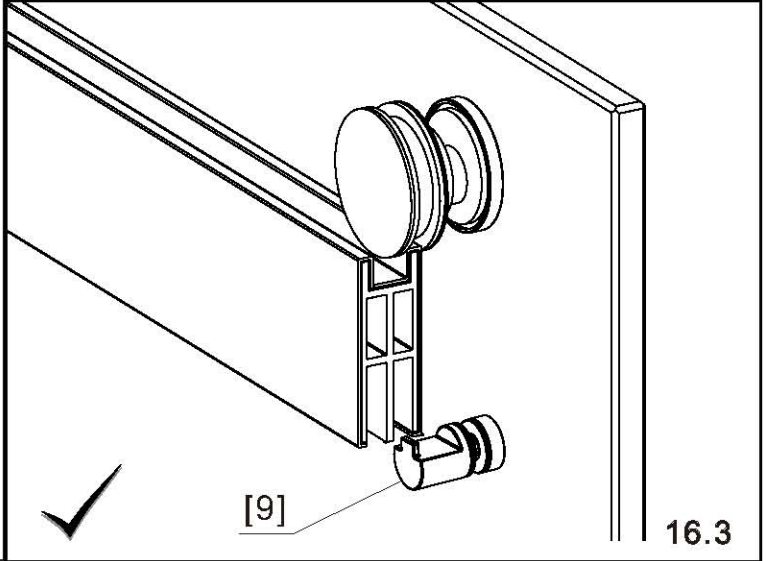
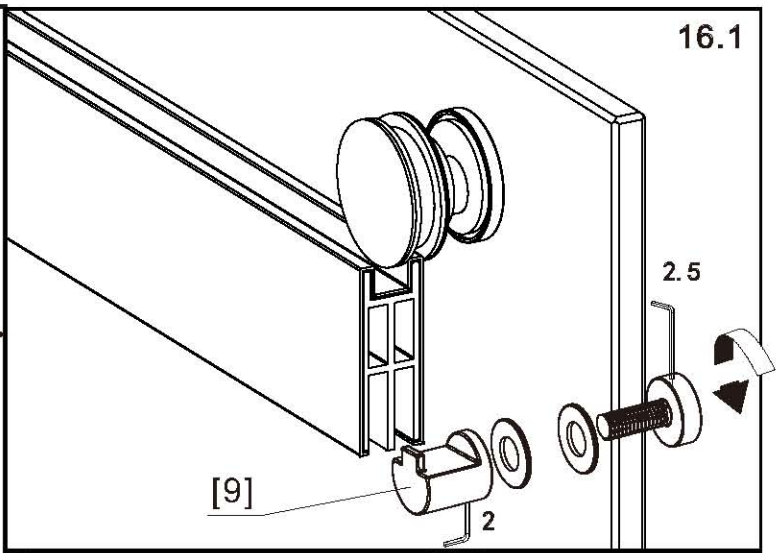
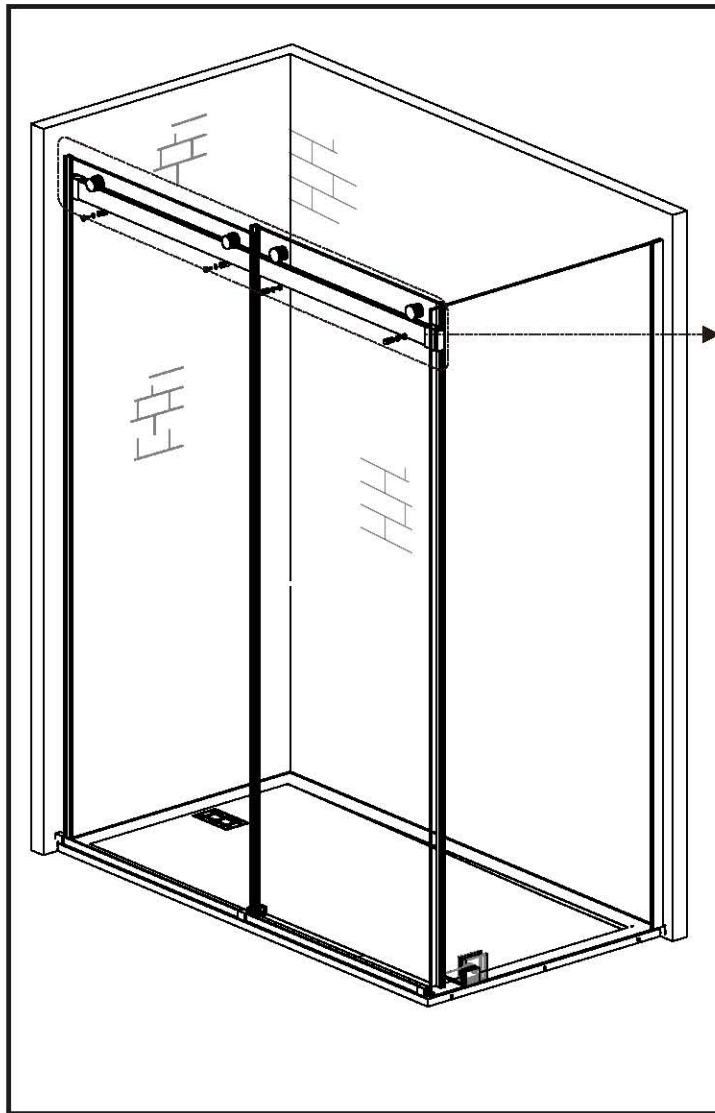


16.4

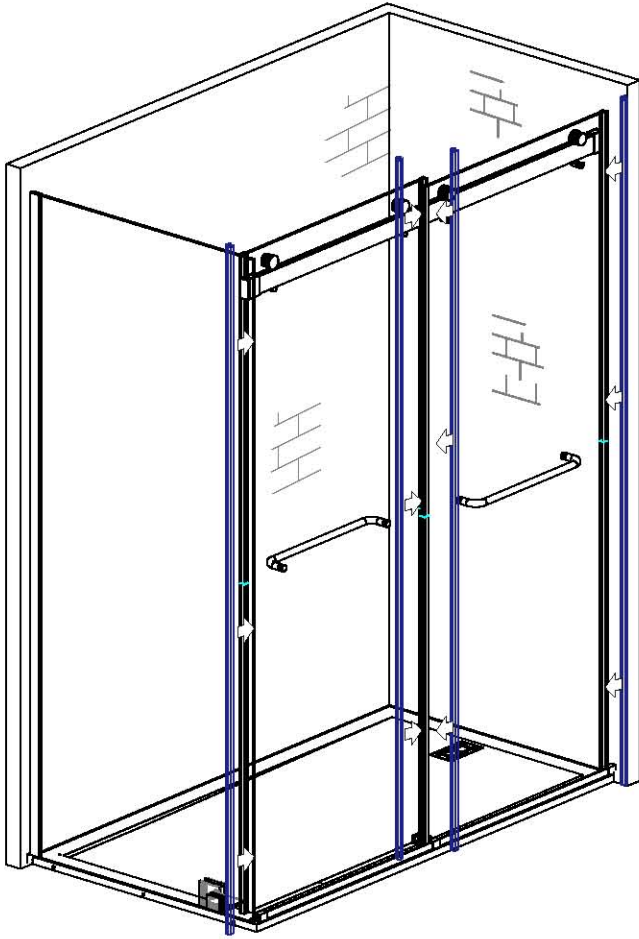


OK

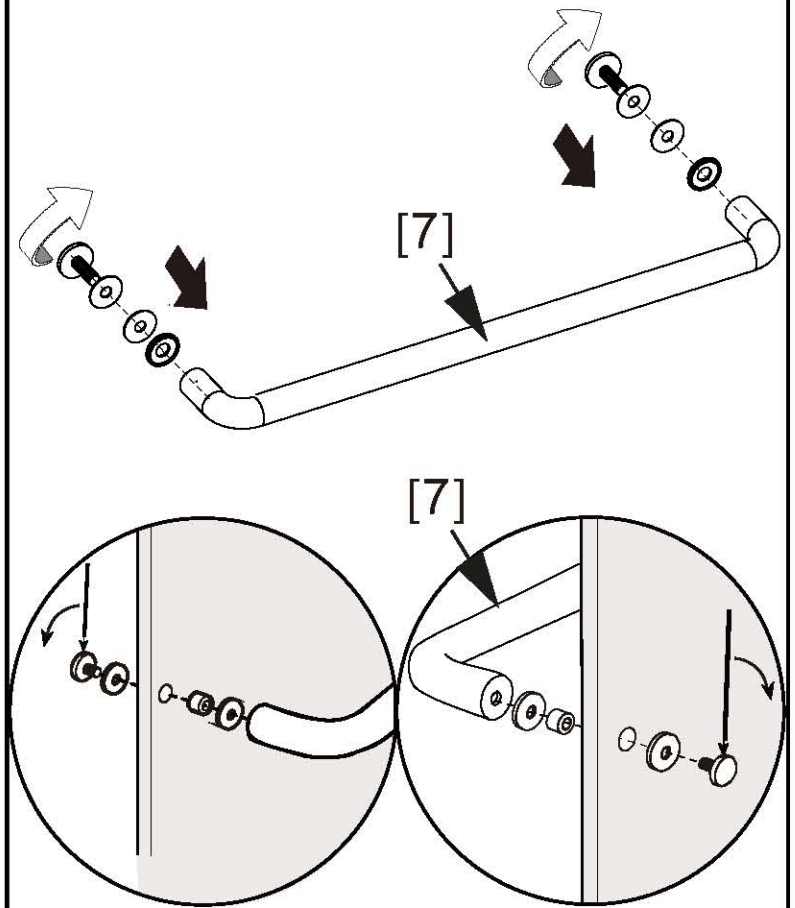




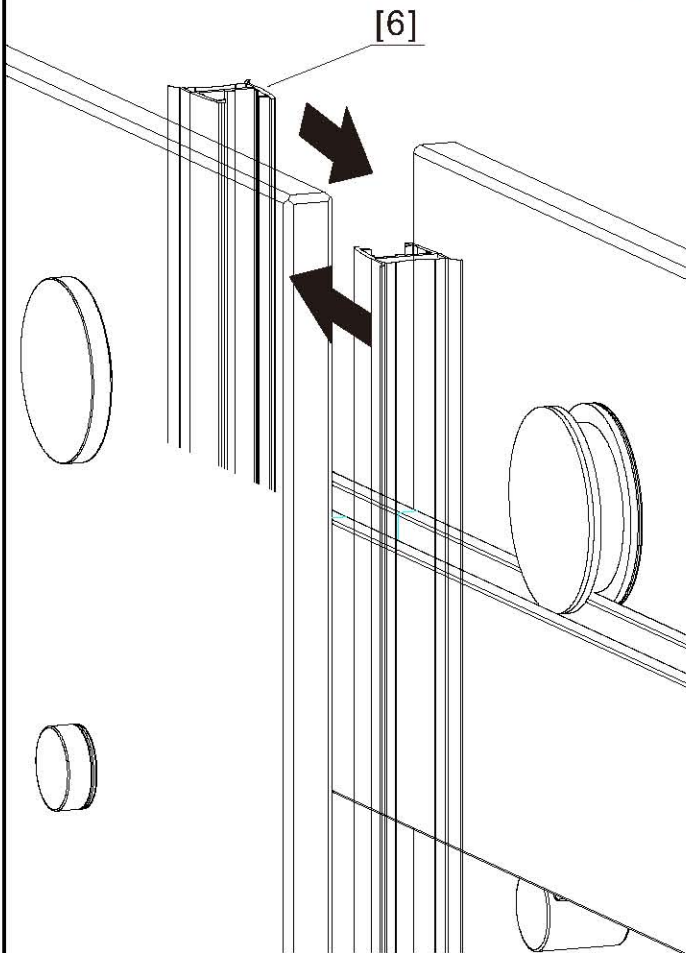
17



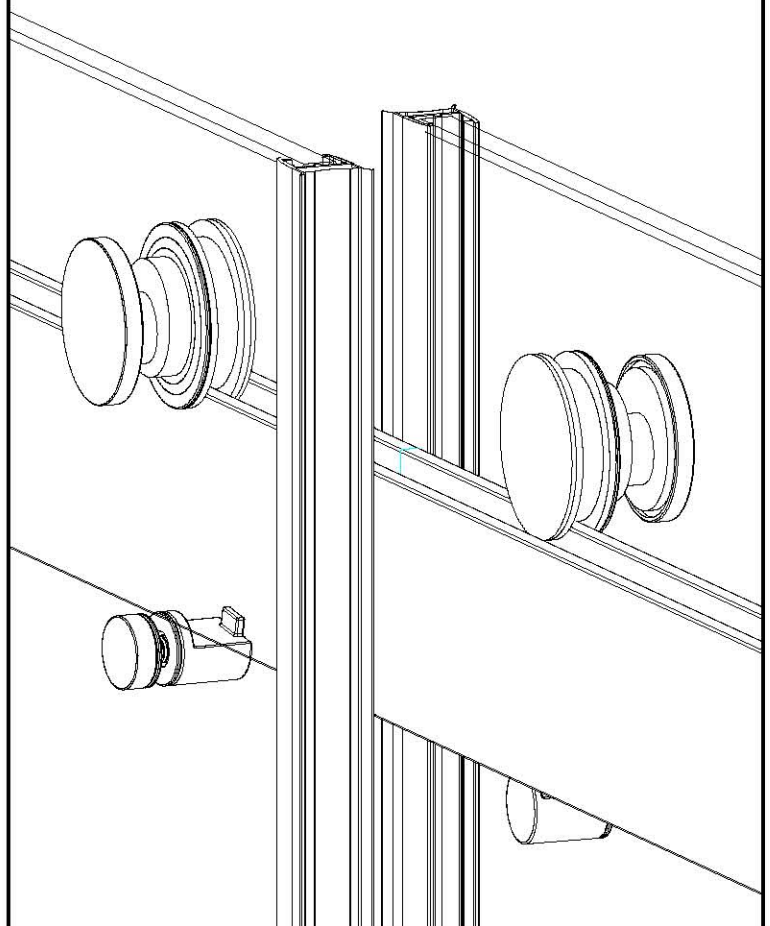
17.1



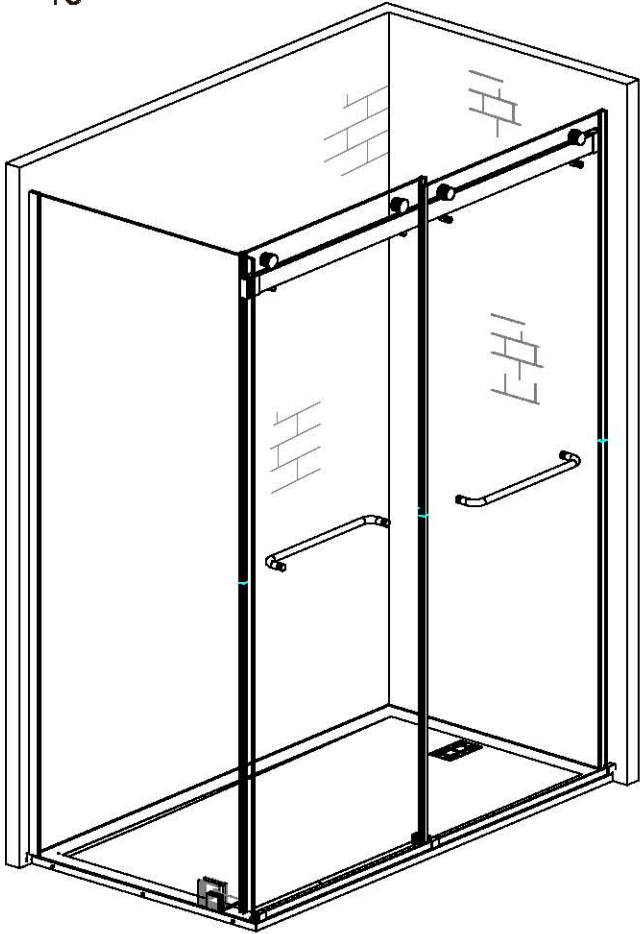
17.2



17.3



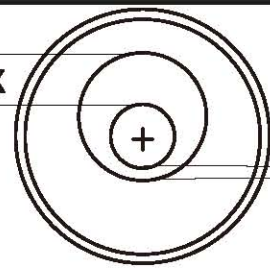
18



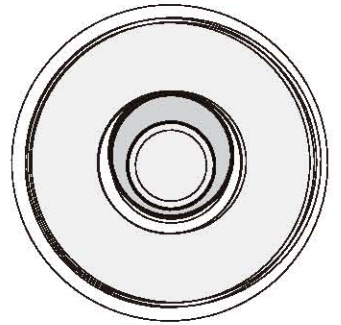
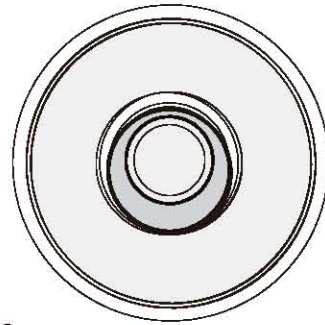
18.1



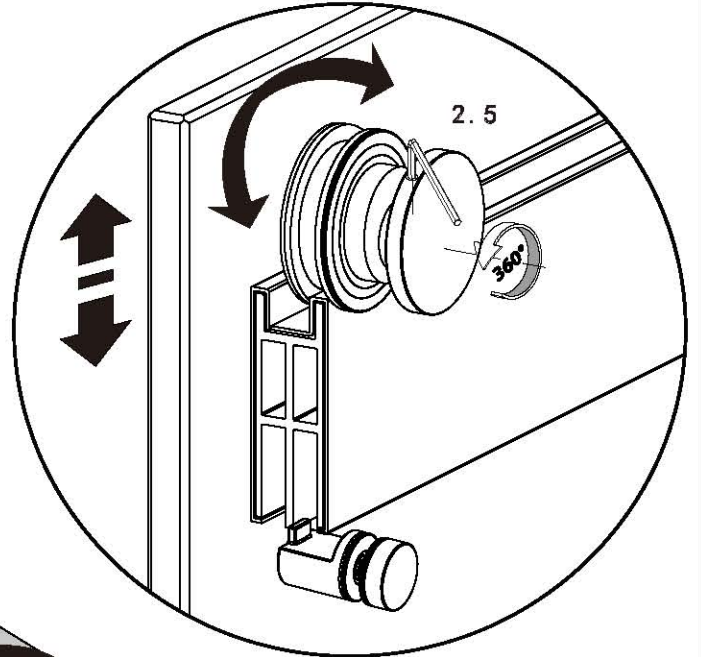
MAX



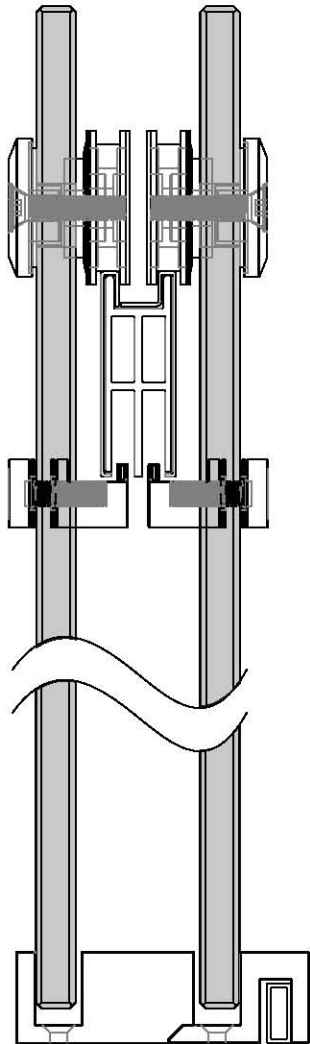
MIN



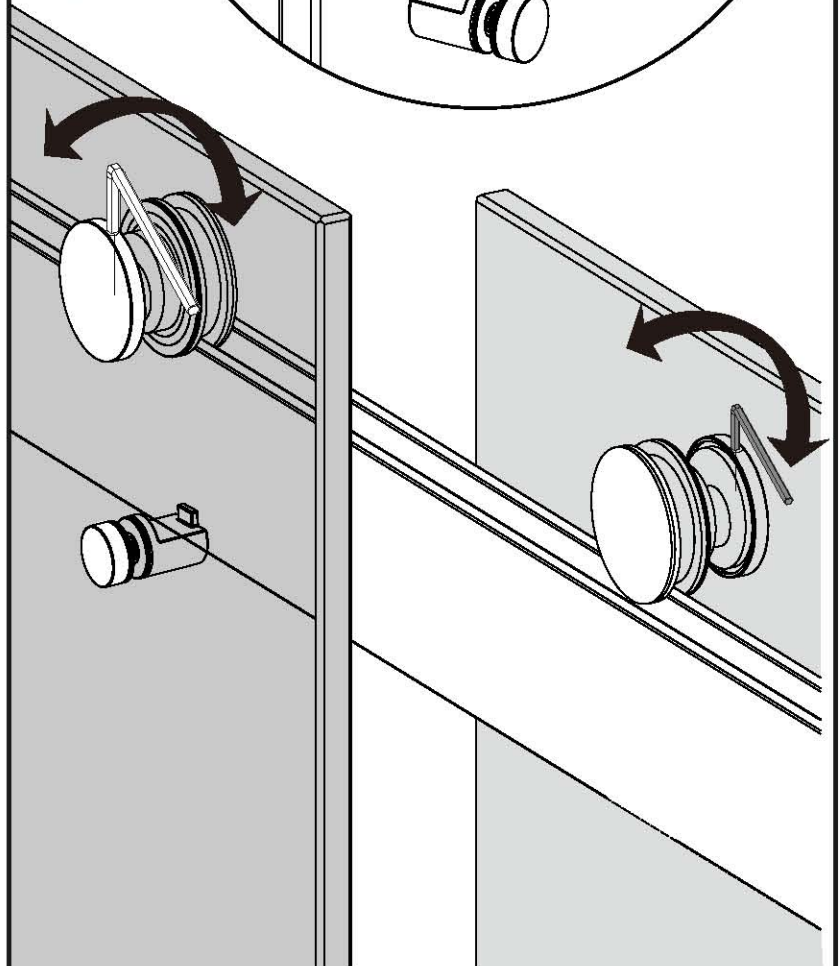
18.2



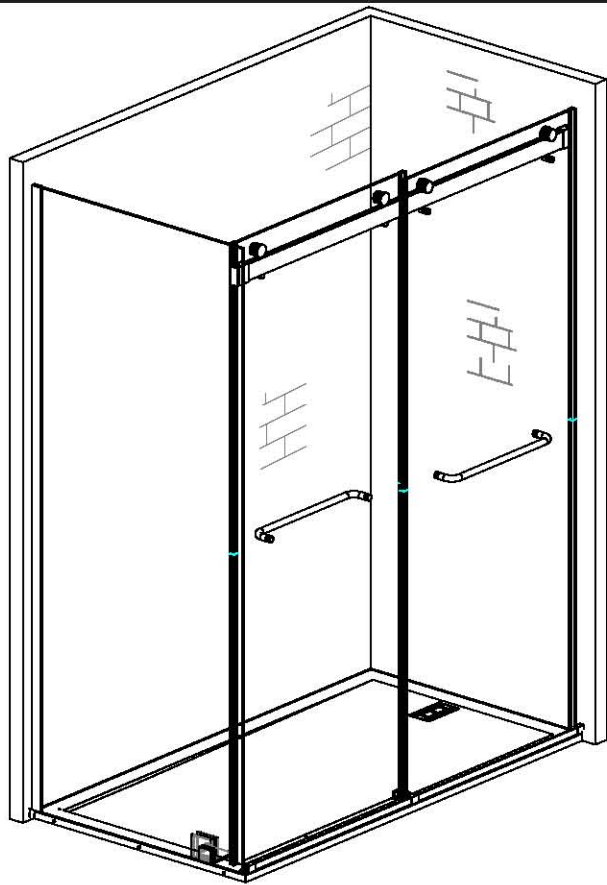
18.4



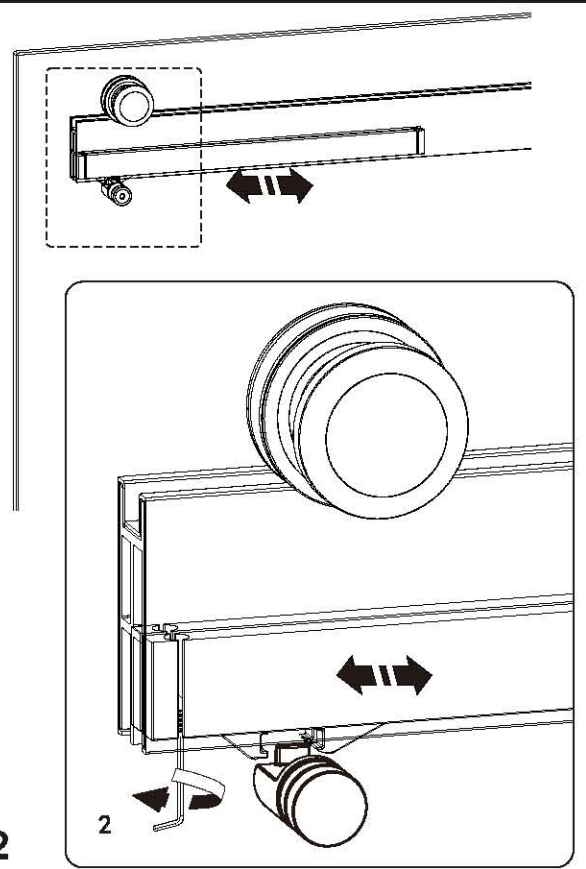
18.3



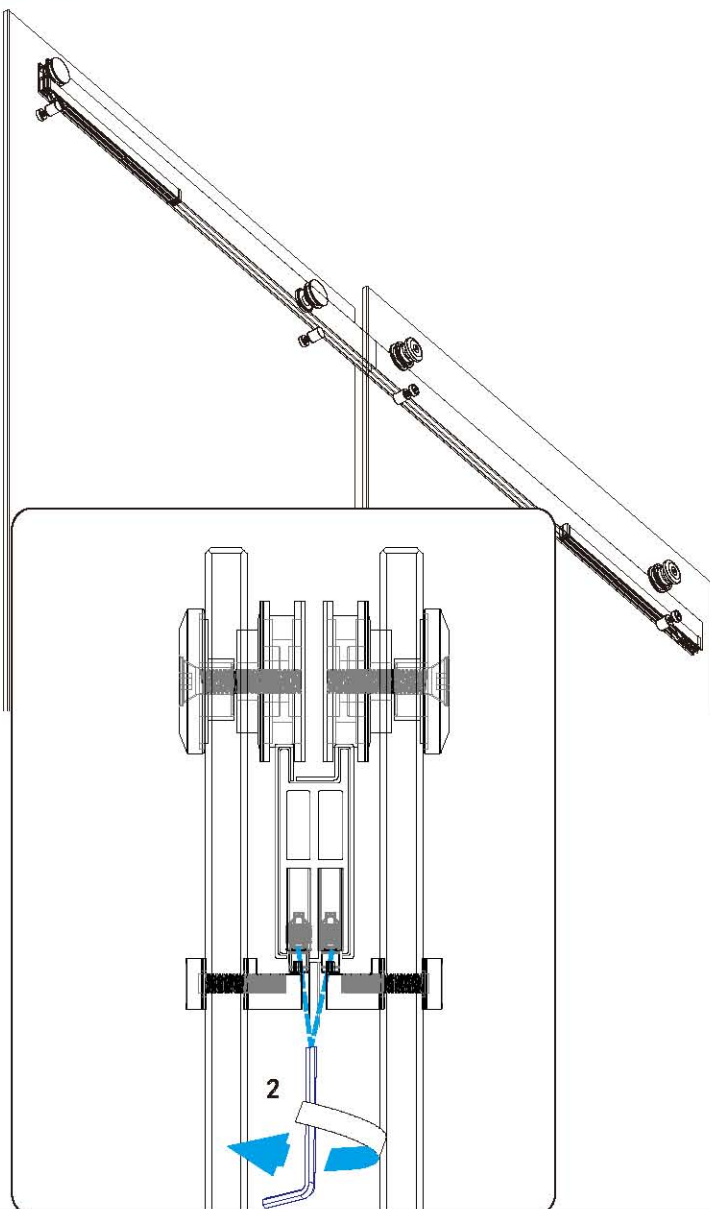
19



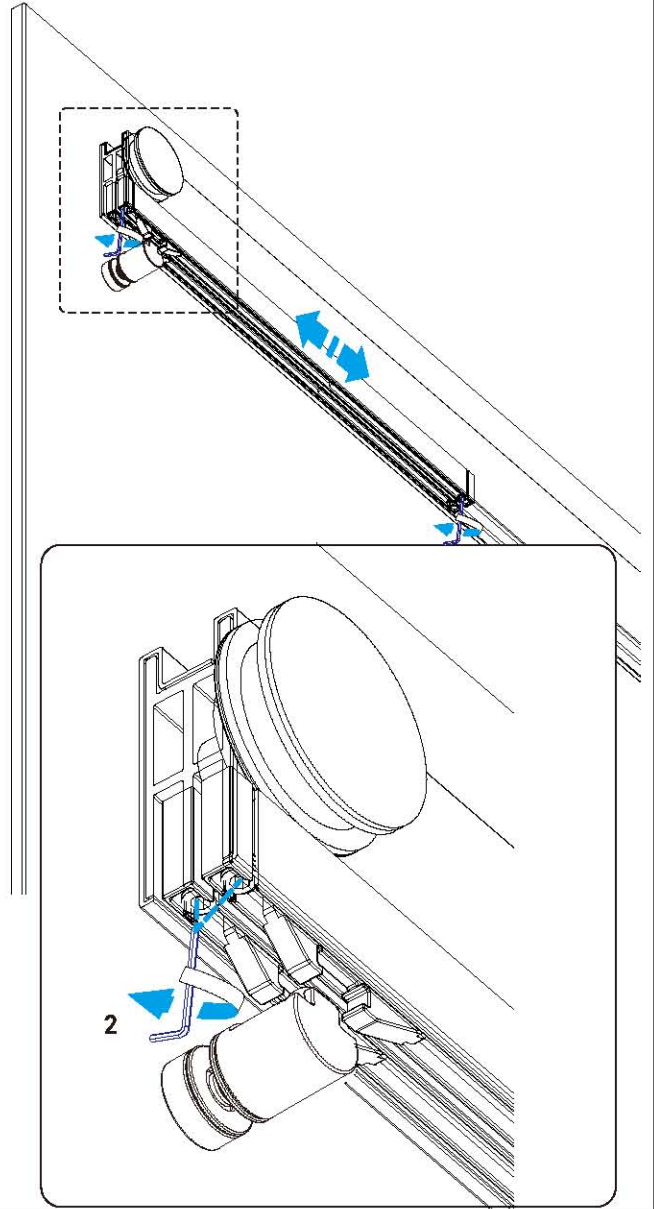
19.2



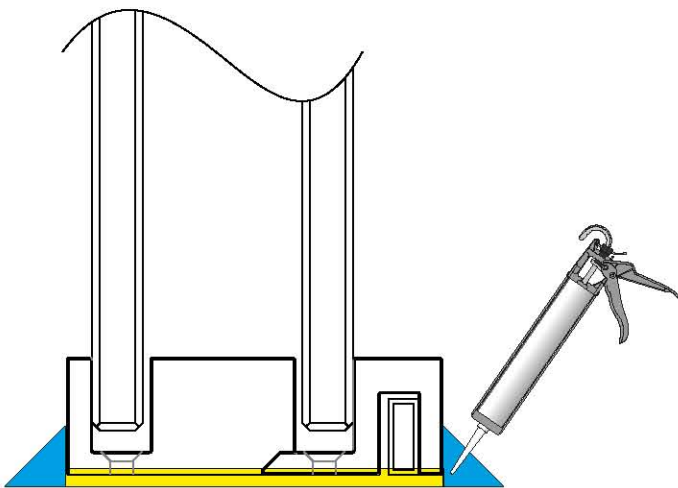
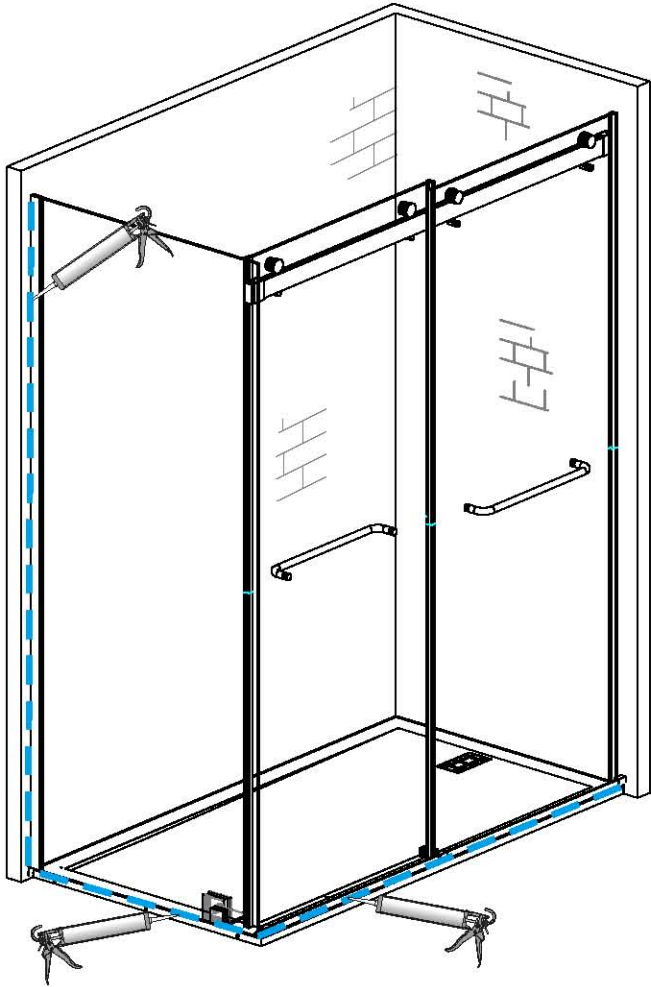
19.1



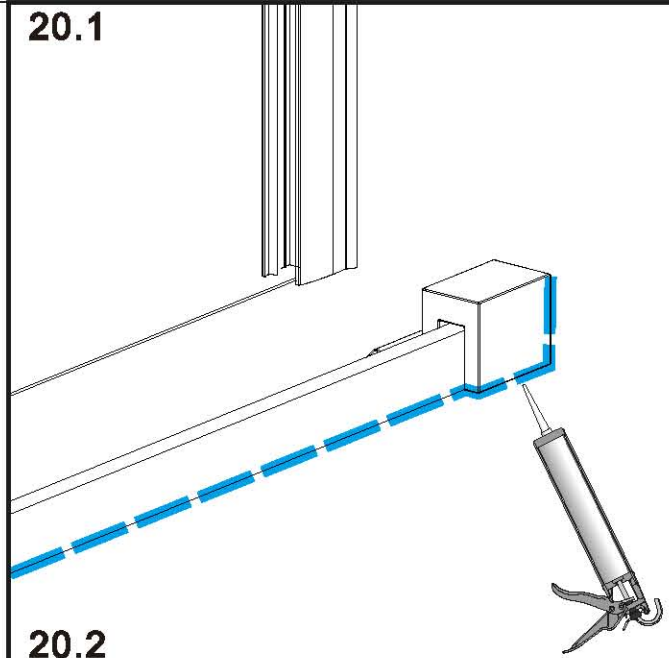
19.3



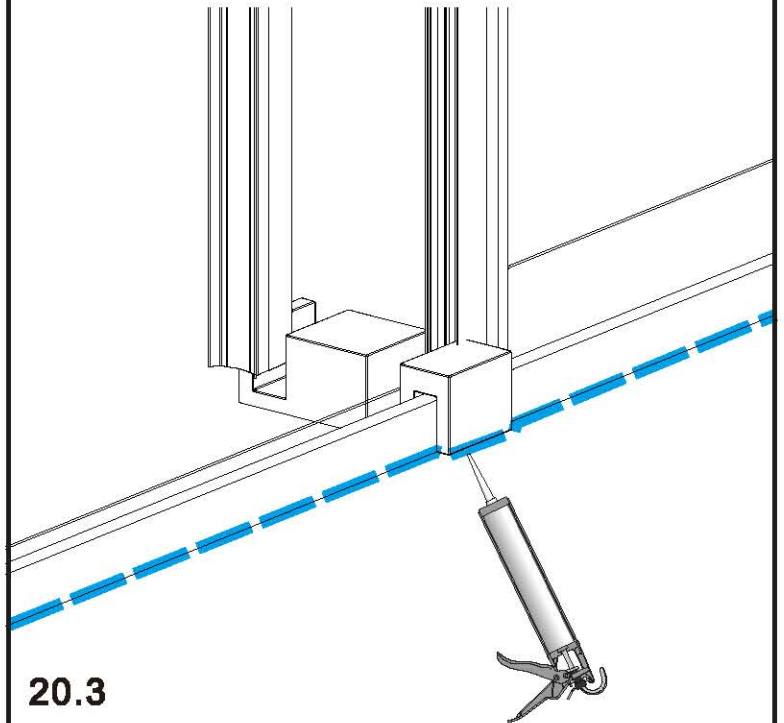
20



20.1



20.2



20.3

