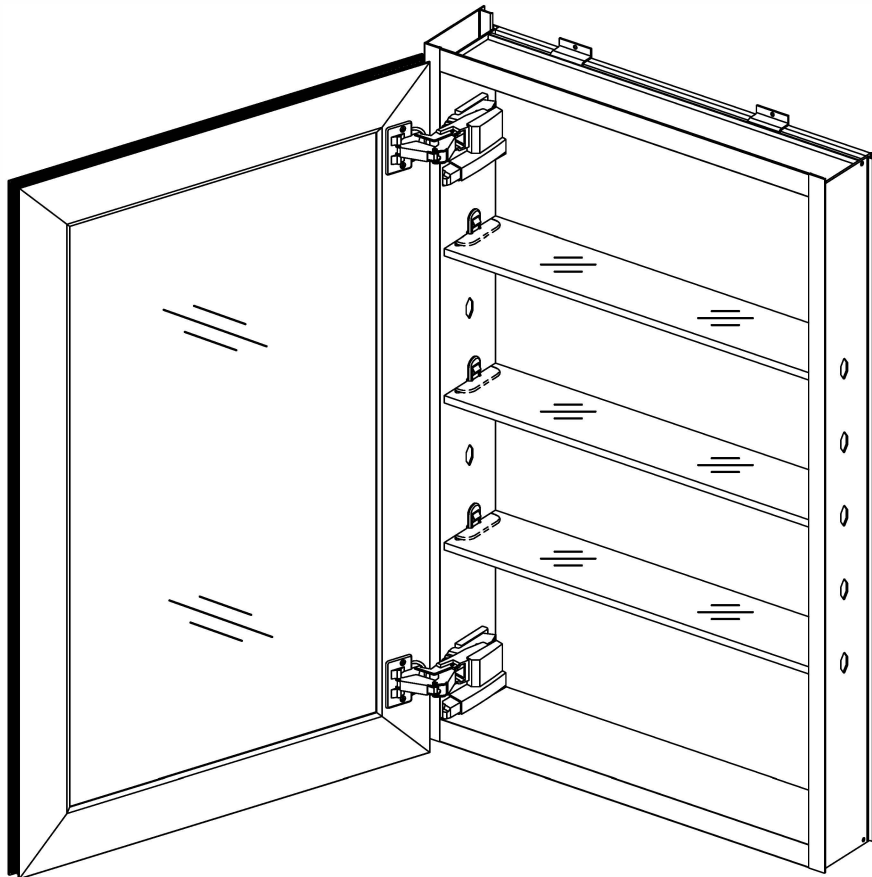
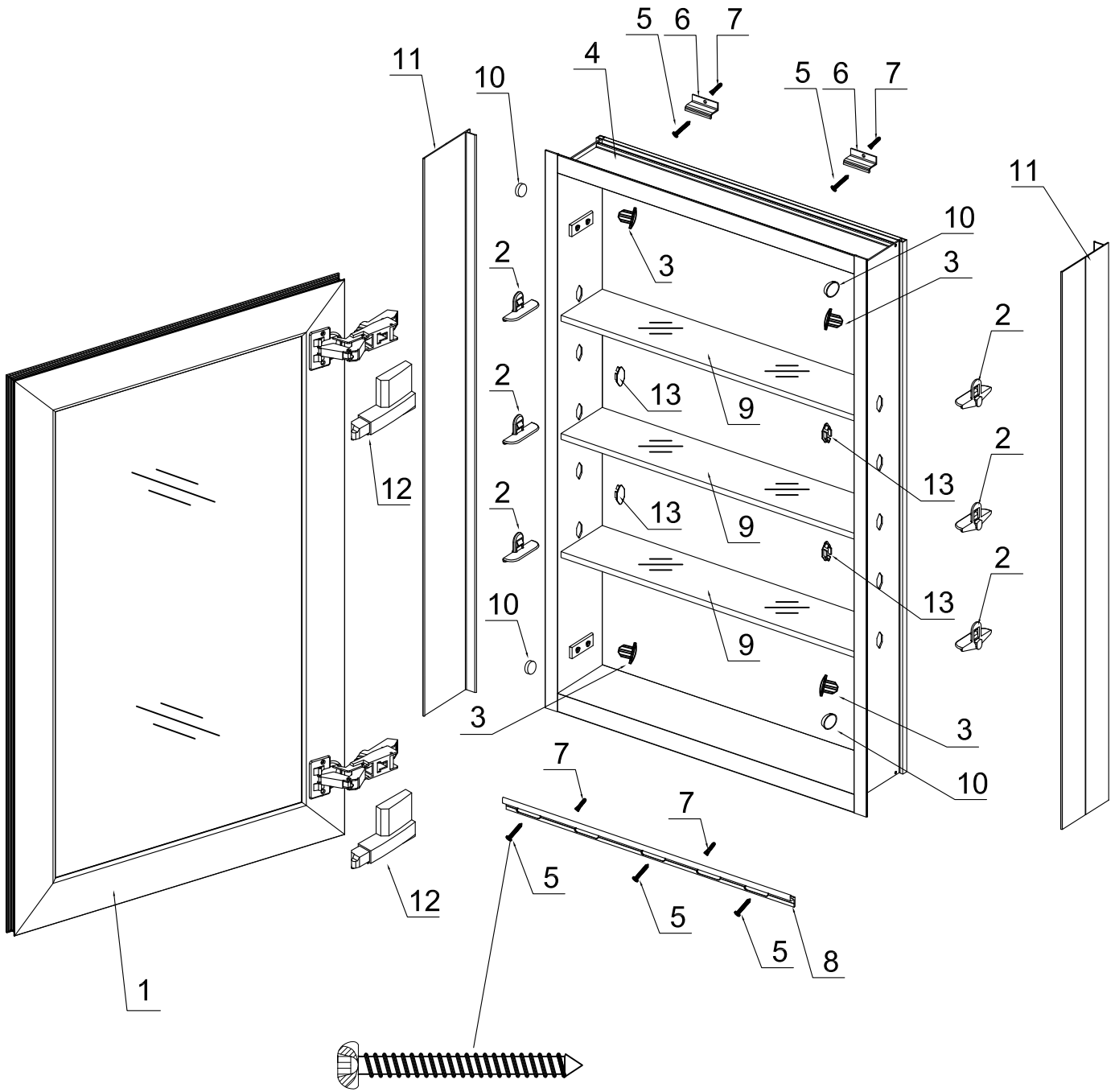


Medicine Cabinet

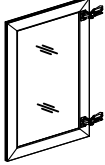
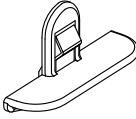

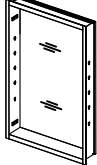

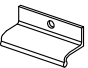

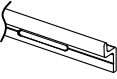
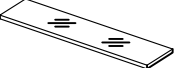

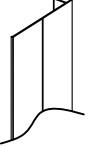
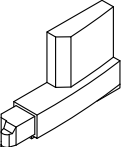
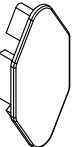
READ THE INSTRUCTIONS CAREFULLY, familiarize yourself with all the parts as shown in the exploded view. The exploded view will also provide a helpful reference when relating to the location of the various parts and how they are mounted.





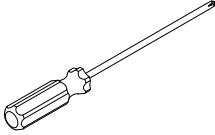
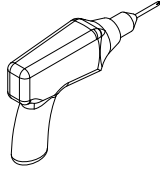
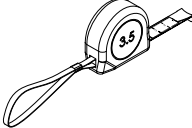
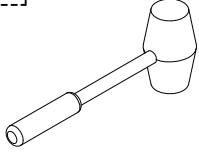

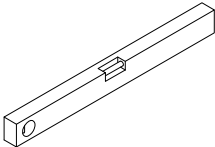
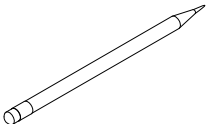

SCREW 1 1/2"

PARTS LIST.

				
DOOR (1 pcs)	CLEAR SHELF CLIP (6 pcs)	HOLE PLUG (4 pcs)	CABINET (1 pcs)	SCREW #10-1 1/2 (5 pcs)
				
TOP Z-CLIP (2 pcs)	WALL PLUG (5 pcs)	MOUNTING BRACKET (1 pcs)	GLASS SHELF (3 pcs)	SCREW HEAD COVER CAP (4 pcs)
				
COVER PLATE (2 pcs)	BUMPER (2 pcs)	DECORATIVE COVER (4 pcs)		

WARNING: Safety glasses should always be worn when working with medicine cabinet

RECOMMENDED TOOLS

				
SCREW DRIVERS	DRILL	MEASURE TAPE	RUBBER MALLET	5/16" DRILL BITS
				
LEVEL	PENCIL	SAFETY GLASSES		

Determining Measurement and Direction:

Model No.	Height	Width	Depth	Tolerance
1930	29"	18 1/2"	4"	±1/8"
2330	29"	22 1/2"	4"	±1/8"
1536	35"	13 3/4"	4"	±1/8"

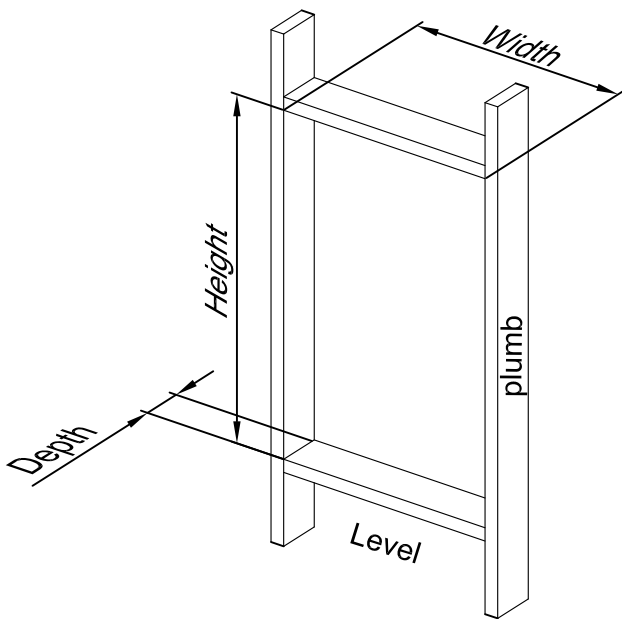


Fig 1

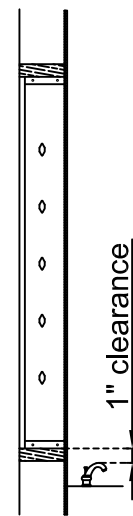
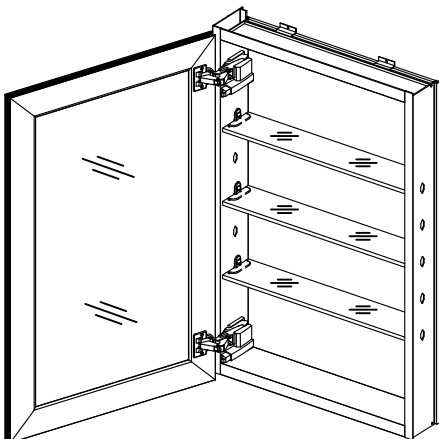
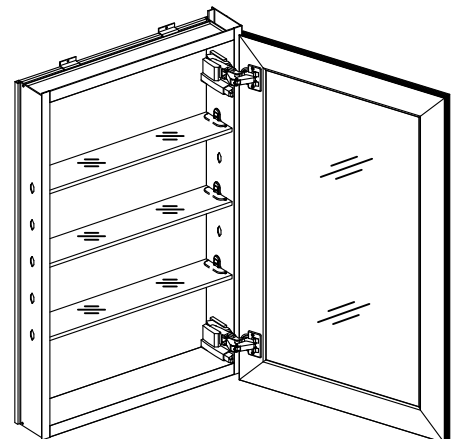


Fig 2

If needed ,please turn over the upside to downside ,you may get the opposite hand installations .



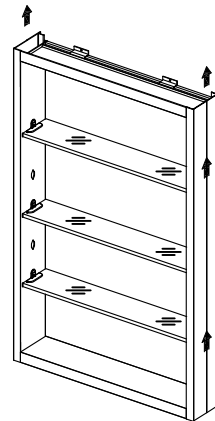
Left hand Installation



Right hand Installation

Recessed or semi-recessed

1. Peel off the side kits from the cabinet as figure shown.



Peel off the side kits

2. Make sure hinges are on correct side of opening for left hand or right hand operation. Place cabinet box into rough opening. On fully recessed applications, make sure cabinet flange covers rough opening evenly all around (Fig 3). On semi-recess applications, mirror edges should meet wall surface. (Fig 4). Shim as needed.

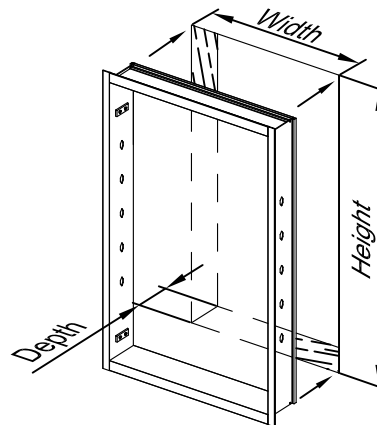


Fig 3

Semi-recessed

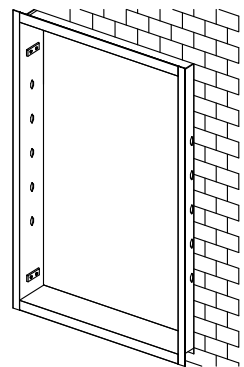


Fig 4

3. Insert four (4) #10 x 1 1/2" screws (5) into four locations provided for recessed installation (Fig 5). Be careful not to overtighten. Make sure cabinet is centered in rough opening. Cover screws with provided caps (10).

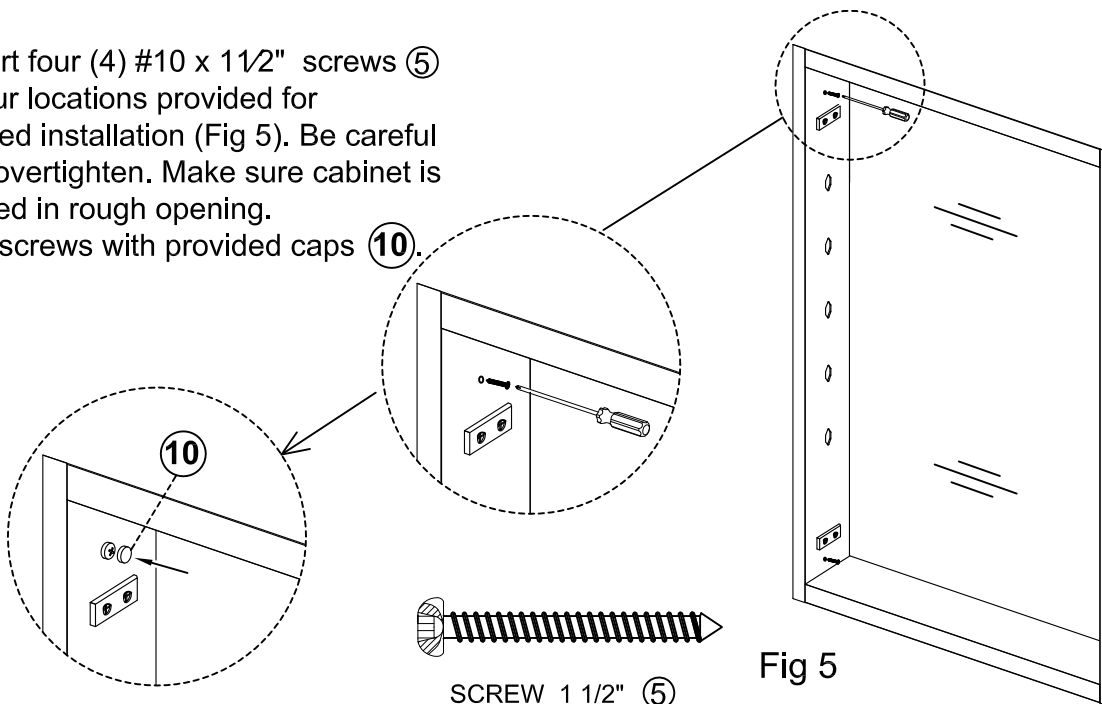


Fig 5

How to Surface Mount Cabinet

If installing in combination with a middle mirror/shelf kit, please see "Center Mirror/Shelf Kit Installation" Directions that came with your center mirror prior to performing the steps below

1. Establish precise height and draw a level horizontal line (Fig 6).

IMPORTANT: Detect medicine cabinet at precise height. Make sure there is at least 1" of clearance above any obstructions.

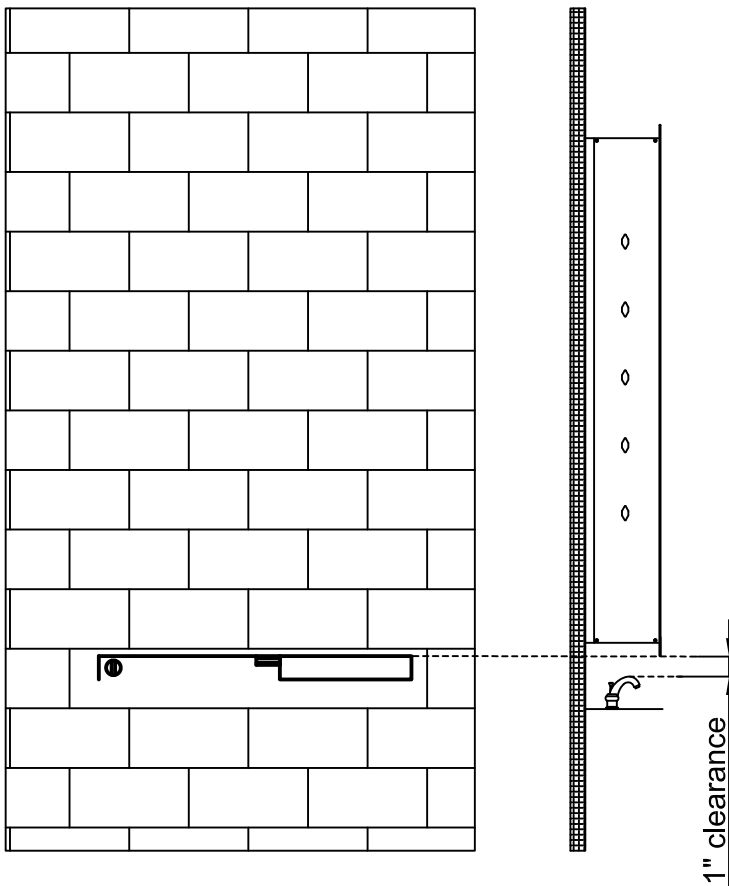


Fig 6

2. Place bottom of wall bracket on horizontal line and at correct position left to right and mark holes on wall (Fig 7).

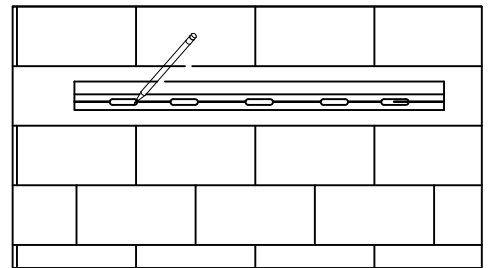


Fig 7

3. Drill 8 mm hole if required for wall anchor and place wall anchor in hole. Mount wall bracket with #10 x 1 1/2" ⑤ screws. (Fig 8)



SCREW 1 1/2" ⑤

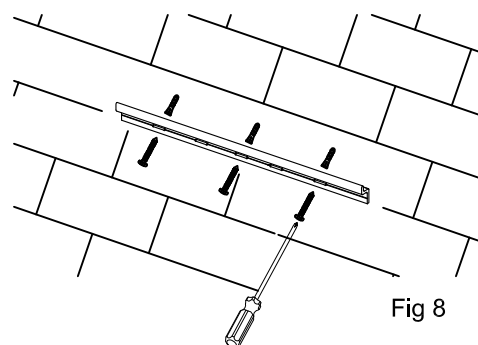


Fig 8

4. Insert surface mount z-clips ⑥ as shown (Fig 9 & 10).

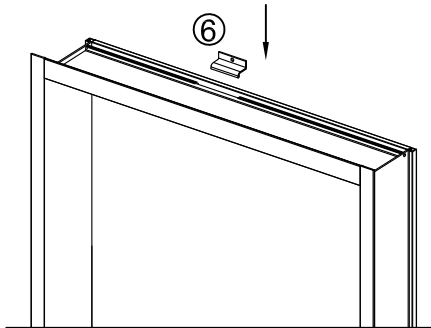


Fig 9

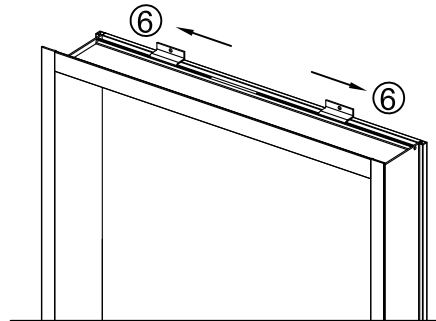


Fig 10

5. Place cabinet into wall bracket (Fig 11). Mark hole locations of z-clips (Fig 12). When determining location, it is recommended that at least one z-clip be located at a stud . Detach cabinet and drill 8mm hole if needed for anchor, and place in anchor in hole.

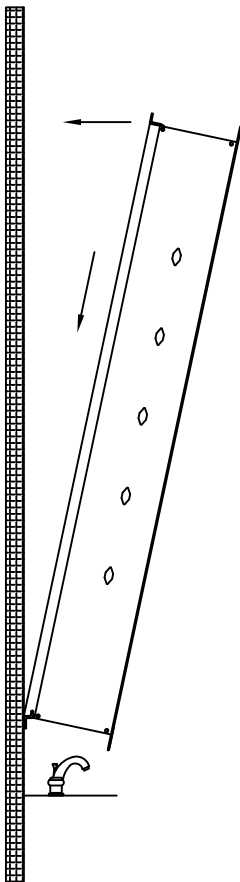


Fig 11

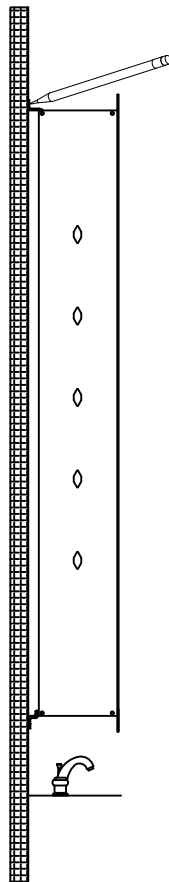
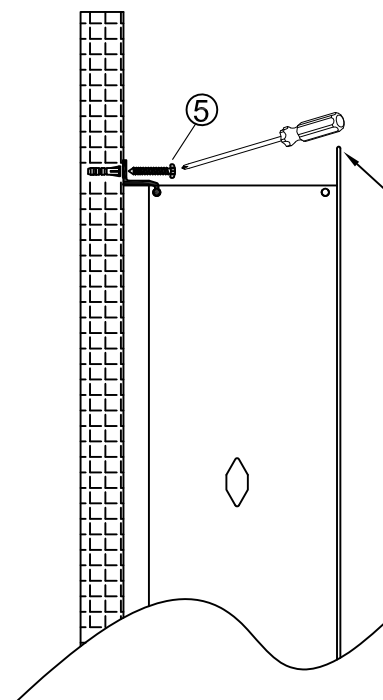


Fig 12

6 .Remount cabinet and connect with #10 x 1 1/2" ⑤ screws (Fig 13). Be careful not to damage or scrape the top flange



NOTE:
Be careful not to damage or scratch the top flange

Fig 13

Door Installation

1 .Remove protective packaging from door ,be careful not to bump edges of mirror. Line hinges up against hinge mounting plates. Snap into position (Fig 14).

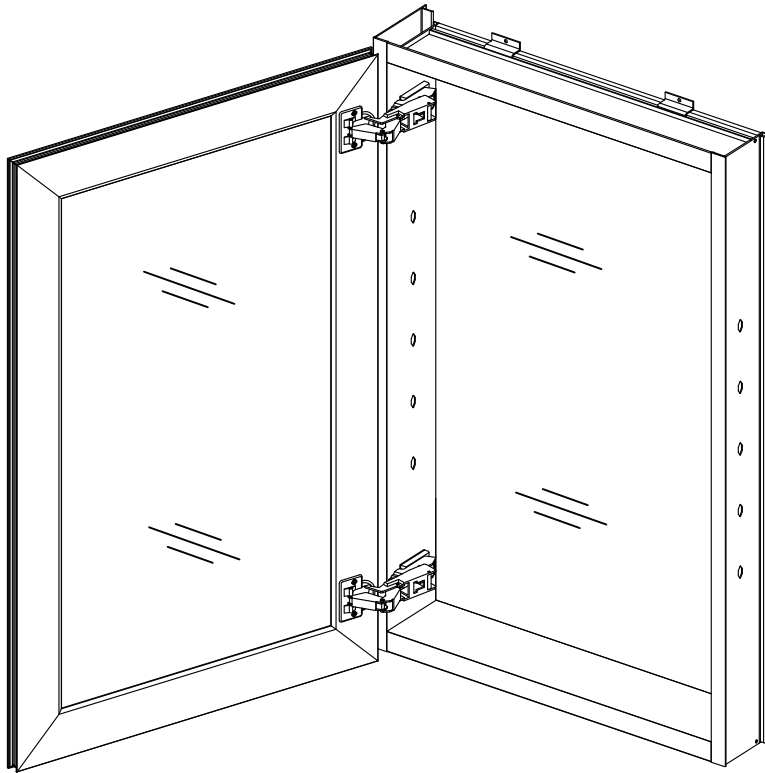
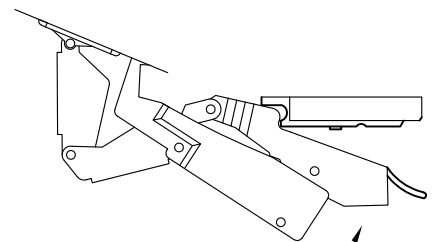
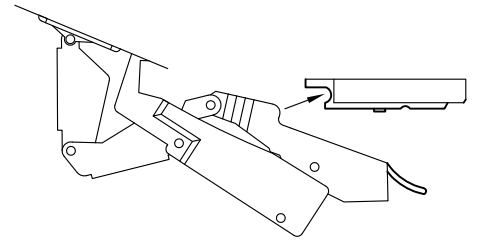
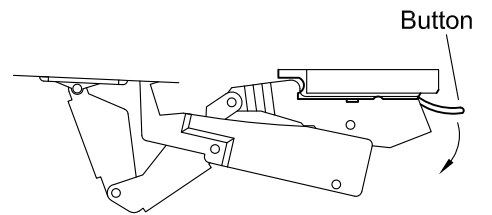


Fig 14

Mounting Plate



Snap into position

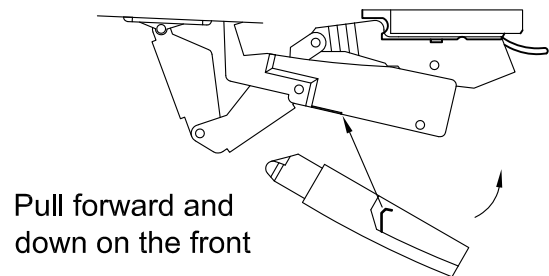
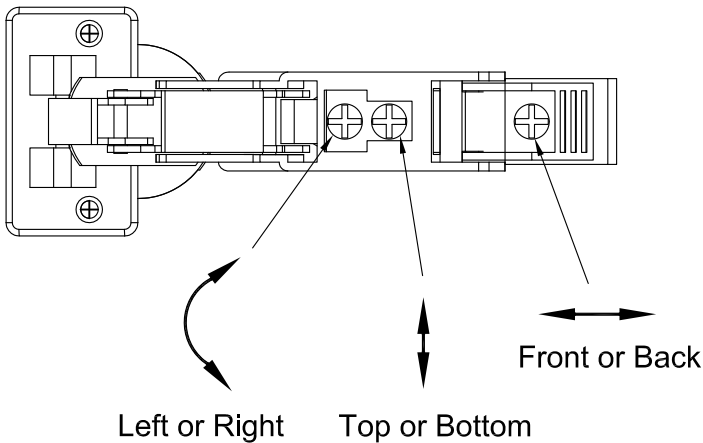


Button

Pull to release

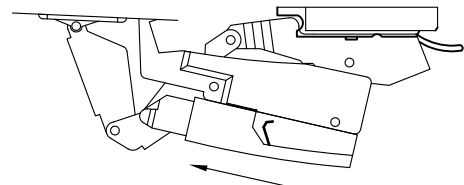
2 .Door should "snap" locked when about 1" from being fully closed. Door should be placed even in relation to cabinet. Insert bumper 12 (Fig 15).

Fig 15



Pull forward and down on the front

Push down on the back



Pull forward and up simultaneously

Additional Item Installation

1 .Insert clear shelf clip ② into appropriate hole location using 2 clips per shelf (Fig 16).

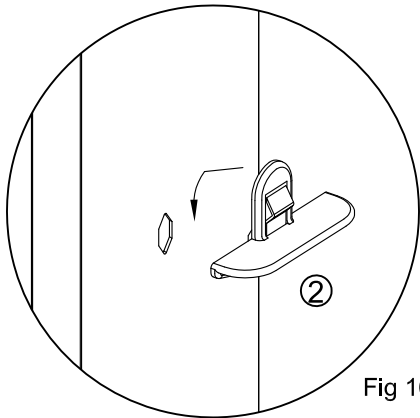
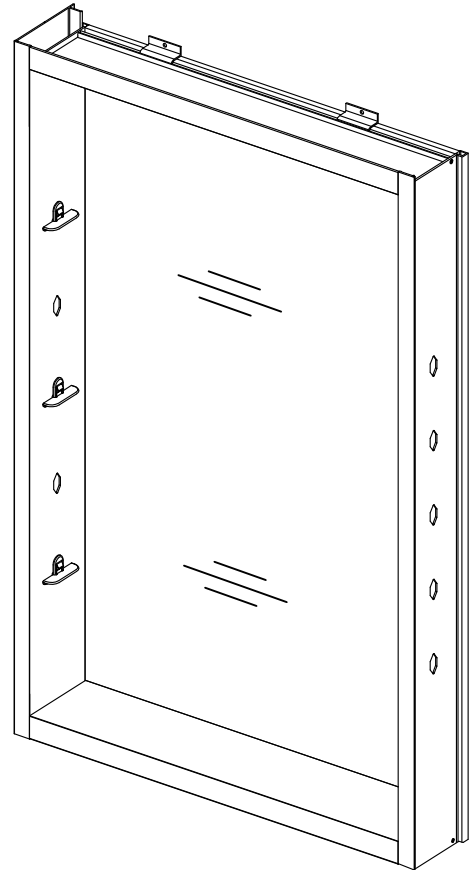
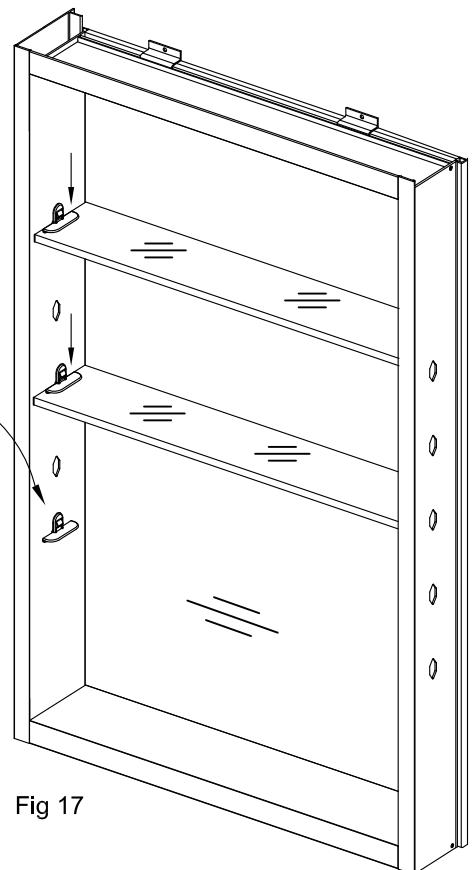
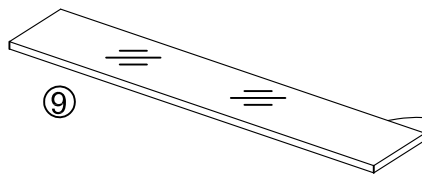


Fig 16



2 .Place glass shelf ⑨ on top of clear shelf clips making sure shelf is against back of cabinet. Press lightly to adhere the shelf clip sticker (Fig 17).



3 .Fill remaining holes with hole plugs ③ (Fig 18). Fill the rest of shelf clip holes with decorative covers ⑬ (Fig 19).

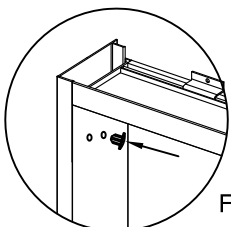


Fig 18

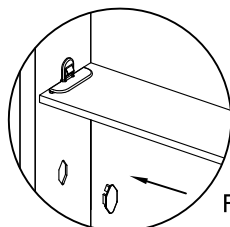
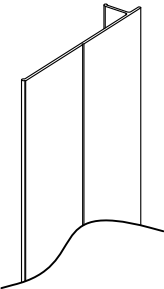


Fig 19

Install cover plate



COVER PLATE (2 pcs)

