

“Essential items for your garden”



3 x 3.6 M Polycarbonate Gazebo

ASSEMBLY AND OPERATING INSTRUCTIONS

Warning

1. It is the consumer's responsibility to comply with any relevant local planning requirements.
2. Three persons are required for assembly. The tools required are a screwdriver, stepladder and other relevant safety items such as gloves. We recommend the use of protective equipment.
3. This gazebo will take at least 5 hours to set up. You must allow enough time to complete the assembly. Do not leave it unattended if not fully assembled, even if bolted to the ground.
 - a. Make sure that all components are in the box. Read instructions carefully before starting the assembly.
 - b. Follow all instructions carefully to assure the strength of the gazebo.
 - c. In order to avoid damage to the gazebo and its components, use appropriate tools. Do not use the structure as a support; a stepladder is recommended.
 - d. Check all screws on a regular basis to maintain the solidity of the structure.
 - e. Keep the instructions and parts list for further use.
4. The screws/bolts to anchor to a wooden deck and concrete patio are not included.
5. DO NOT REMOVE THE PROTECTIVE FILM ON THE POLYCARBONATE ROOF PANELS BEFORE INSTALLATION . MAKE SURE TO PUT THE UV PROTECTED SIDE FACING UP. IT IS A VERY IMPORTANT PROCEDURE; IF NOT FOLLOWED AS DESCRIBED, YOUR ROOF WILL NOT BE COVERED BY THE GUARANTY.

Maintenance

- In the event that your gazebo needs replacement parts, repairs or you require assistance with regards to assembly; please contact the original place of purchase
- For cleaning: Use a mild domestic soap or soft detergent and wash with warm water using a sponge or microfibre fabric. Rinse with clean water.





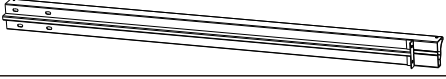







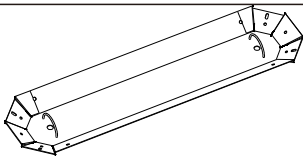
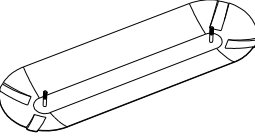
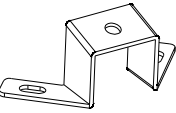
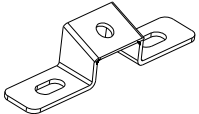


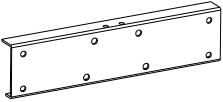

Attention







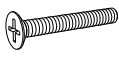

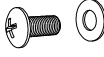
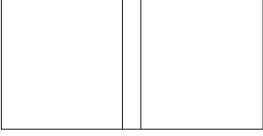
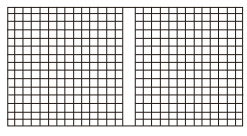
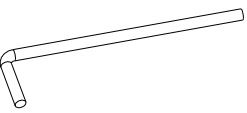
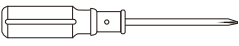

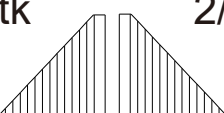
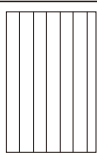
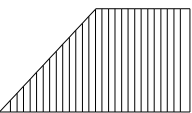
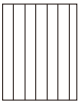
- Your gazebo has been created for all four seasons and will resist snow accumulations of up to 1360 kg. You will need to remove any excess of snow on the roof at all times.
- The mosquito netting and the curtains must be removed for winter storage.

EXCLUDED:

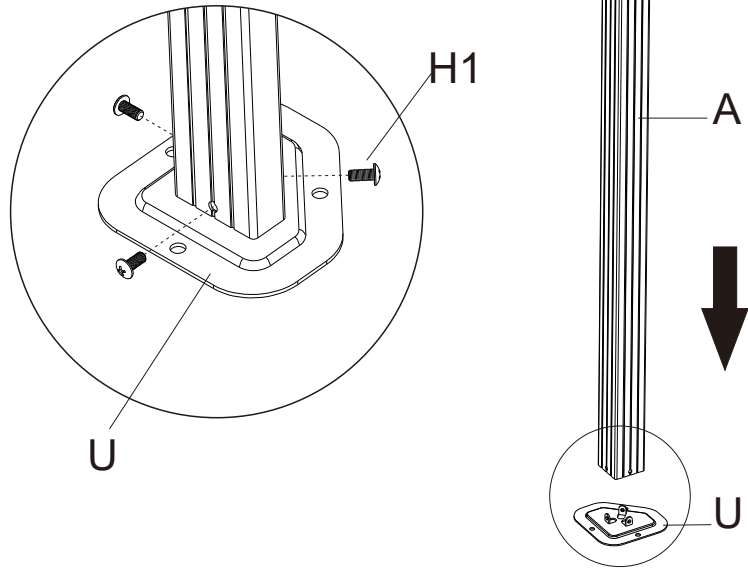
- Damages due to vandalism, abuse and incorrect use of the product are not covered by the warranty.
- Damages due to extreme weather conditions such as thunderstorm, hail and high winds are not covered by warranty.

Parts List

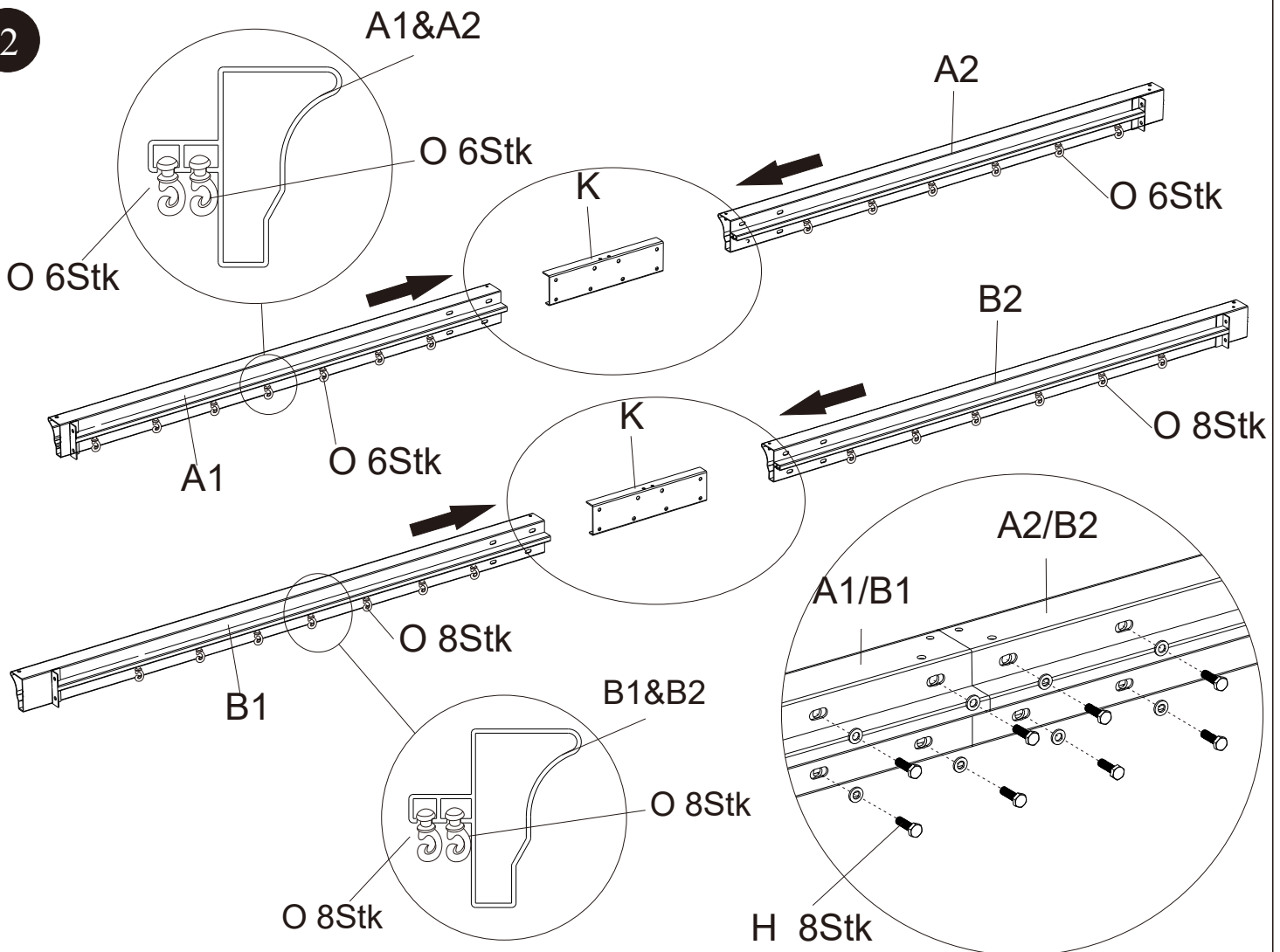
Parts#	Figure	Qty
A		4
A1		2
A2		2
B1		2
B2		2
B		4
C		6
C1		6
C2		2
D1		4
D2		4
D		2
E		1
F		1
G		4
I		6
J1		4
J2		4
K		4
L		8

Parts#	Figure	Qty
M		6
N		4
O		112+8
U		4
H	M6x12 	48+1
H1	M6x12 	72+2
H2	M6x35 	8+1
H3	M5x15 	42
H4	M6x12 	10
W		4
X		4
Y		12
S		1
Z		1
1/4 Stk		2/4 Stk
		 5/2 Stk
3/4 Stk		4/4 Stk
		 6/2 Stk

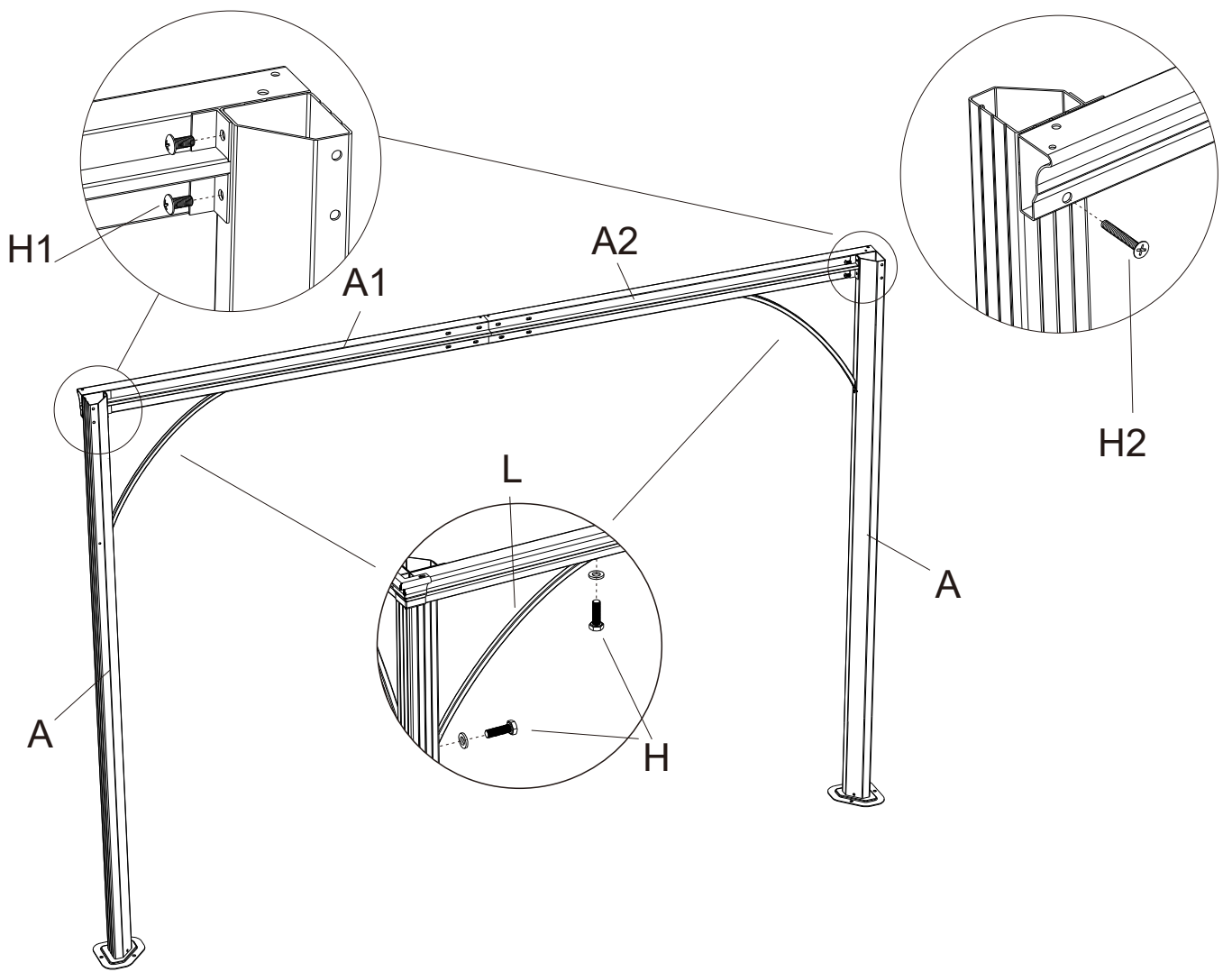
1



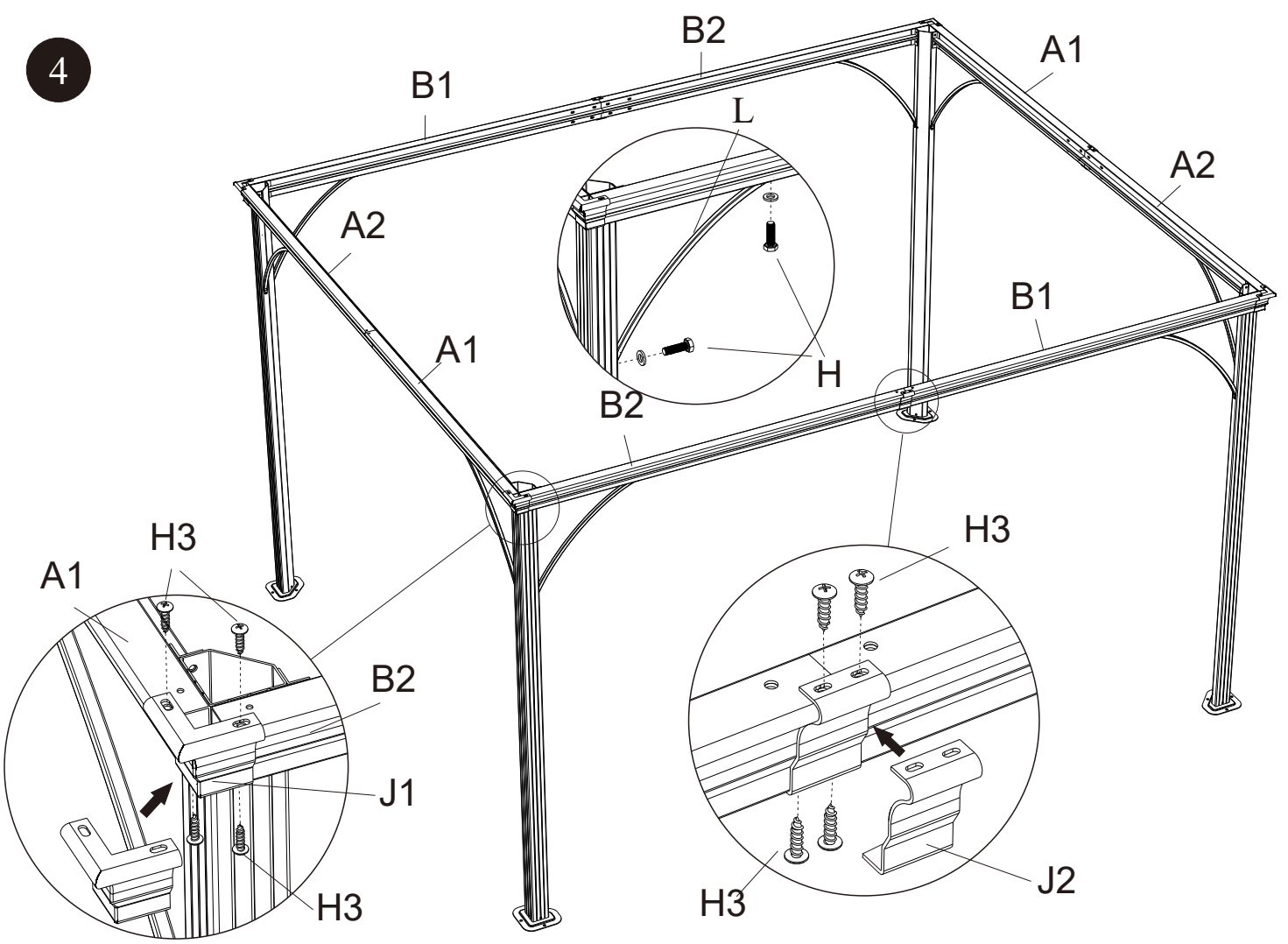
2



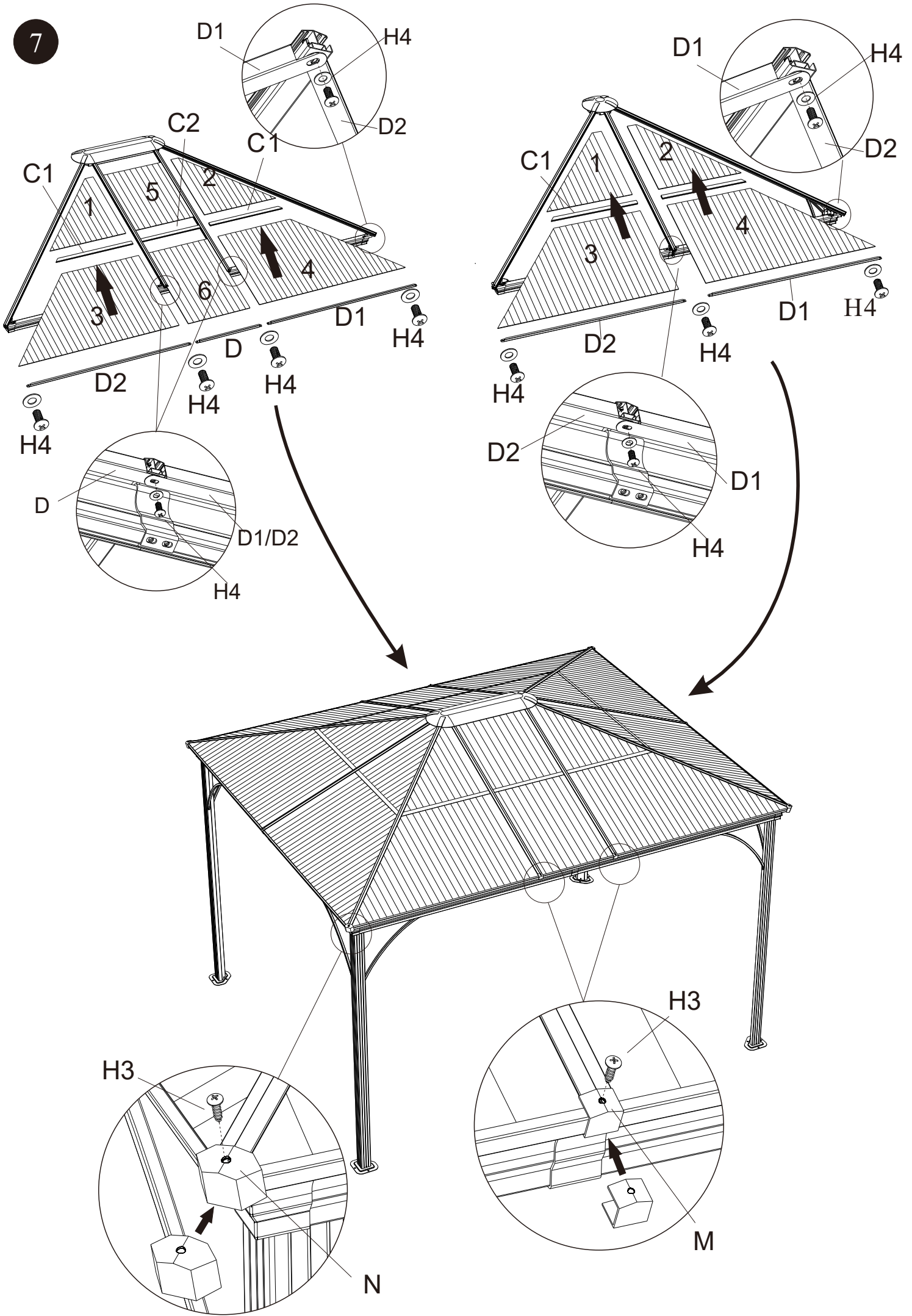
3

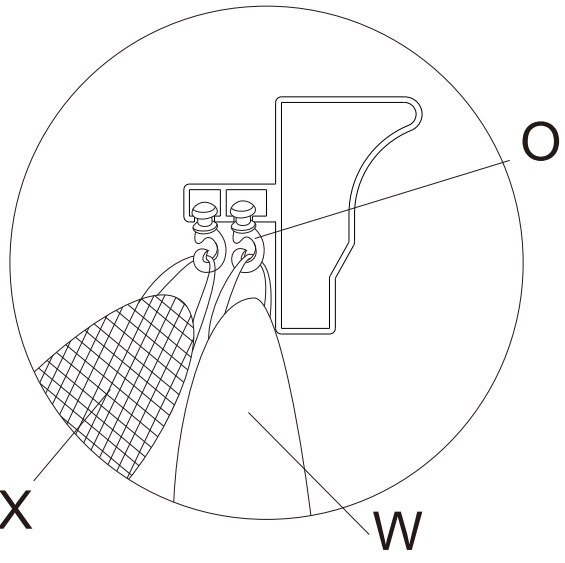
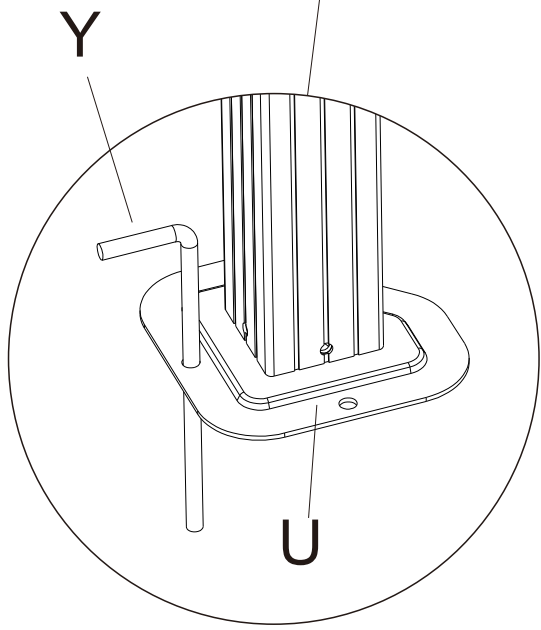
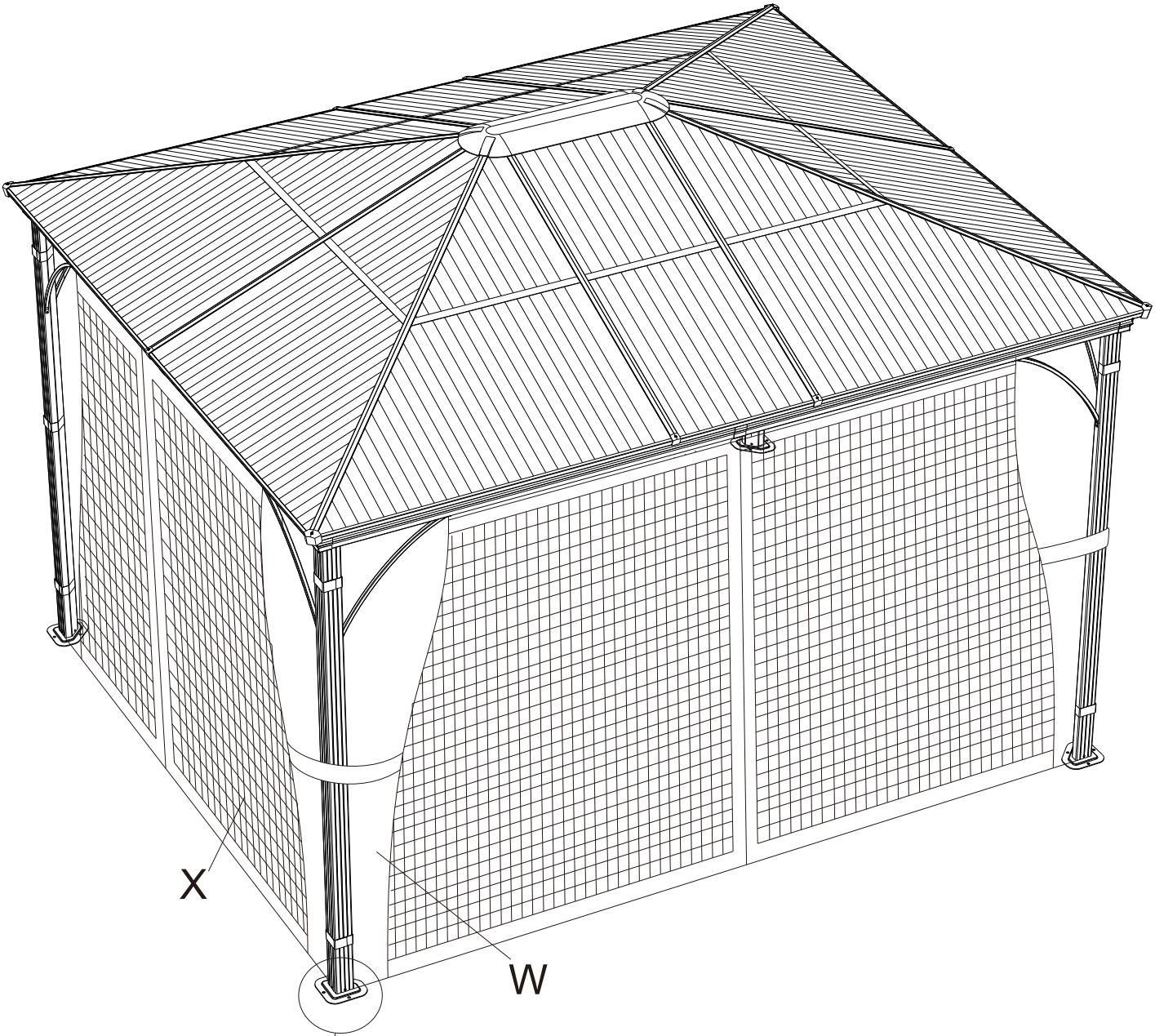


4



7





Note: When you hang W and X, you can't open the zipper and start hanging from one side.