

Assembly Instruction

Park Bench

Your furniture requires assembly prior to use. It is important that you read the entire assembly instructions to become familiar with the unit before you set up this product.

Safety Warning and Precautions

WARNING: When setting up your furniture, basic precautions should always be followed to reduce risk of personal injury and damage to the product.

Read all instructions before assembly and usage this product.

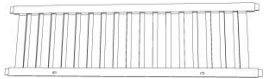


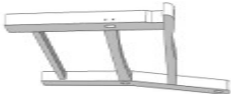
1. Select ideal location. Set out all parts on a clear and level surface prior to assembly. Ideally, the furniture should be set up in the desired location to avoid moving it after assembly.
2. Use caution. During all the processes of assembling, especially when lifting heavy or large parts, pay attention to safety.
3. Tools and Assistance. An adjustable spanner is required for assembly. It is recommended 2 people assist with assembly.
4. Check all parts before assembling, ensure you have all parts detailed in the parts list on Page 2.
5. Refer to assembly diagram. During assembly, refer to the assembly instructions on following pages.
6. Caution. Keep children away from work area during assembly. Do not allow children to handle parts or tools while assembling.




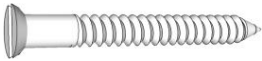
Assembly Instruction

Park Bench

PANEL AND FITTINGS IDENTIFICATION

Part #	A	B	C	D
Description:	Back Rest	Seat Rest	Support Seat Rest	Leg
Figure:				
Qty:	1	1	1	2

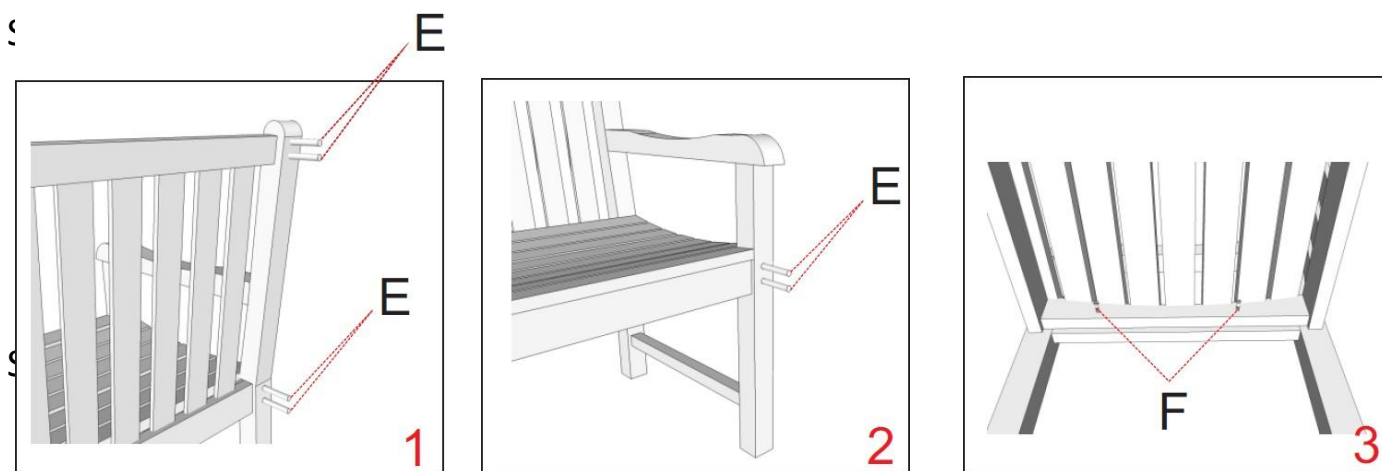
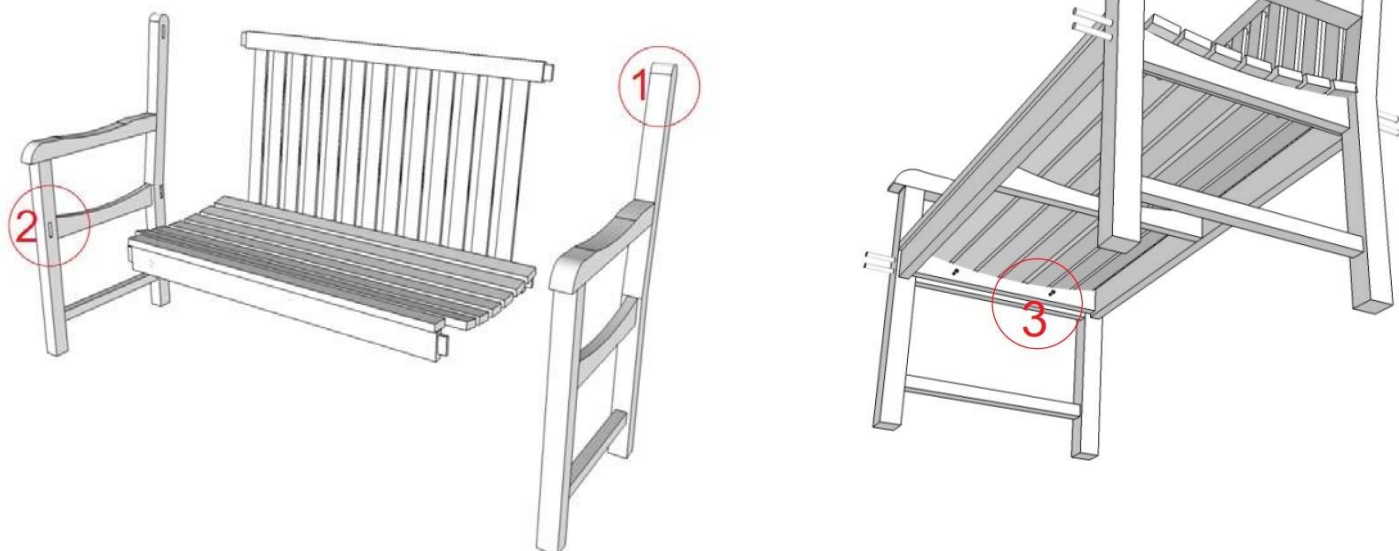
HARDWARE LIST

Part #	E	F		
Description:	Dowel	Screw		
Figure:				
Qty:	12	4		

Assembly Instruction

Park Bench

Step 1



Steps:

1. Attach the leg(Part D) to the Backrest(Part A) with Dowel(Part E), and attach the leg (Part C) to the Seat Rest(Part B) with dowel.
 2. Fix the Support Seat Rest (Part C) to the leg with dowel.
 3. From the bottom of the chair seat, fix the Seat rest to the leg with screws(Part F)
- Tighten all screws and bolts. Your chair is ready to use.

Periodically check and make sure that all bolts are fully tightened.