

1. Assemble the lamp body: first unpack the package and distinguish the lamp holders with different lengths of wires.

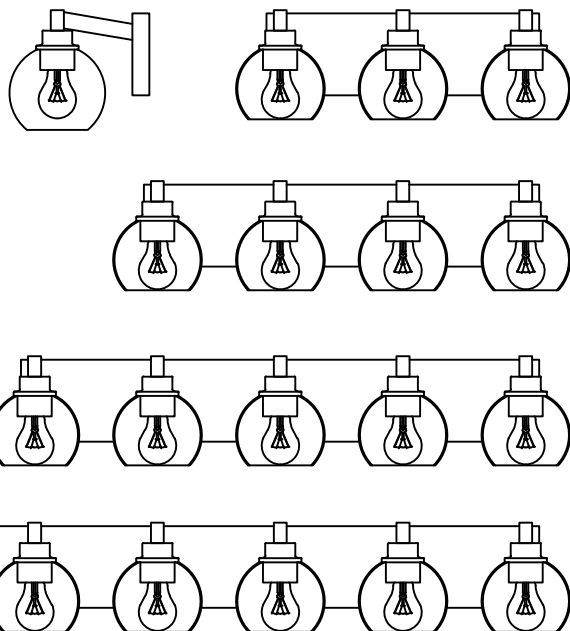
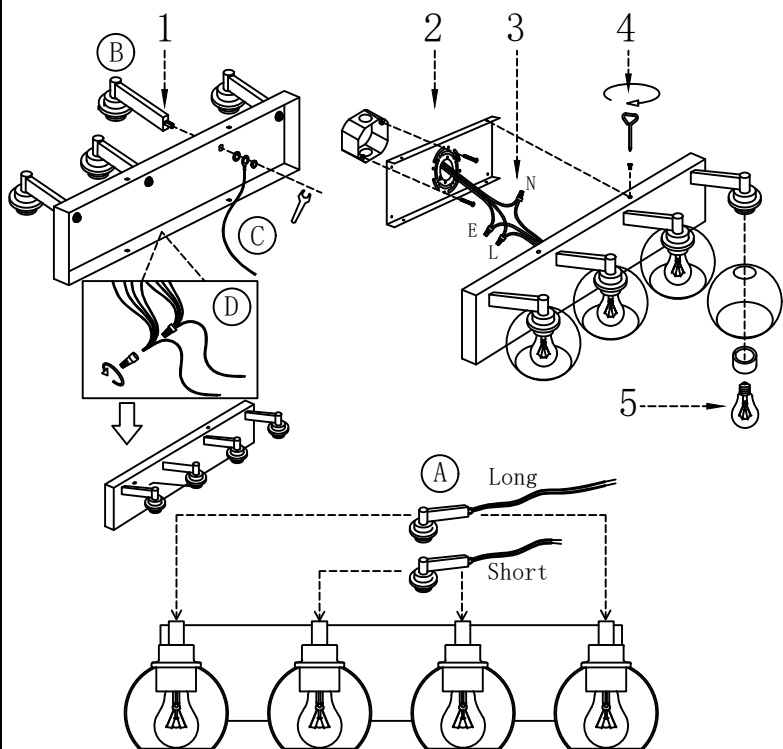
Mark (A): Determine the position of the lamp holder. Note that there are 4 lamp holders, 2 of which have shorter wires and need to be installed in the middle, while the other 2 have longer wires and need to be installed at both ends.

Mark (B): Install the lamp holder (B) and fix the lamp holder to the base plate with nuts and washers.

Mark (C-ground wire), the ground wire of the lamp is installed between the nut and the washer.

Mark (D) Connect the lamp holder wires: twist the black wires of the 4 lamp holders and one end of the extra black wire into one strand and fix it with a wire nut; do the same with the white wire.

2. Turn off the power and install the mounting bracket on the junction box with screws.
3. The other end of the extra wire will be connected to the corresponding wires in the junction box.
4. Fix the base plate to the mounting bracket with screws.
5. Install the glass lampshade and light source (E26).



WARNING

(To reduce the risk of fire, electric shock, or injury to persons):

1. We suggest installation by a licensed electrician.
2. Please read the instruction carefully and save it as you may need it at later time.
3. Before you start, NEVER attempt any work without shutting off the electricity until the work is done. Go to the main fuse, or circuit breaker, box in your home. Place the main power switch in the "OFF" position. Place the wall switch in the "OFF" position.
4. Mounting surface should be clean, dry, flat, strong enough and 1/4" larger than the canopy on all side. Any gaps between the mounting surface and canopy exceeding 3/16" should be corrected as required.
5. Make sure that the ceiling or wall can bear the weight of the lamp before fixture.
6. Make sure the voltage you are using is 120V. The maximum wattage is 60W per bulb.
7. Keep the lamp away from acidic objects in case of damaging the surface of the lamp.
8. When replacing bulb, you should turn off or unplug the lamp and you must wait until it is cool as bulbs get hot quickly.
9. The safety instructions appearing in this manual are not meant to cover all possible conditions that may occur. It must be understood that common sense, caution and care must be used with any electrical products.
10. Do not touch the bulb or lamp shade during the lighting fixture working.

Image for finished product: