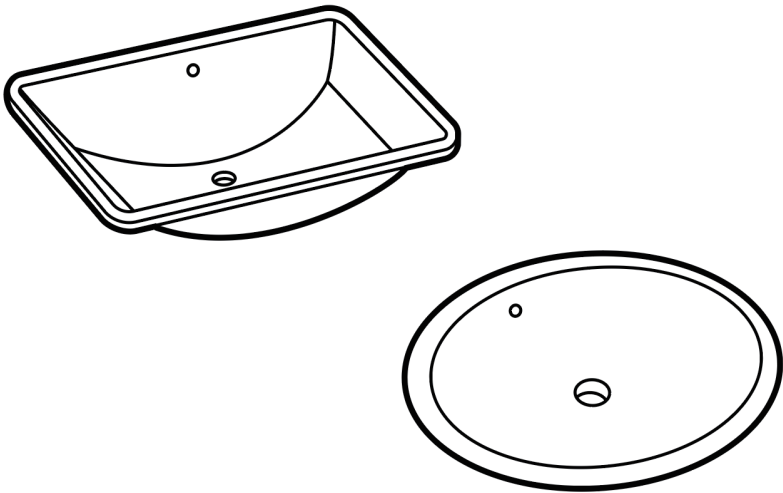




LOS FLEXI
CRAFTING YOUR HOME STORY



Bathroom Undermount Sink

INSTALLATION & CARE GUIDE

cs@losflexi.com

www.losflexi.com

(+1) 662-502-5099

TABLE OF CONTENTS:

PRIOR TO INSTALLATION _____ 3
TOOLS AND MATERIALS REQUIRED _____ 4
PACKAGE INCLUDED _____ 4
INSTALLATION STEPS _____ 5
PRODUCT CLEANING & CARE _____ 10
TROUBLESHOOTING GUIDE _____ 10
IMPORTANT CONSUMER INFORMATION _____ 11
LIMITED WARRANTY COVERAGE _____ 12

PRIOR TO INSTALLATION:

GET READY TO TRANSFORM YOUR BATHROOM!
INSTALLING YOUR SLEEK UNDERMOUNT BATHROOM SINK

Hello Bathroom Renovation Star!

We're thrilled to bits that you've chosen our undermount sink to add a dash of sophistication to your bathroom. A hearty welcome to the Los Flexi family, where we make bathroom beautification a breeze! We're here to ensure your sink setup is as smooth as the porcelain it's crafted from.

Before you step into your installer shoes, let's tick off a checklist to guarantee a perfect installation:

- When your brand-new sink arrives, please inspect it with an eagle eye. We aim for nothing less than perfection and want your sink to be the crown jewel of your bathroom.
- Like following a secret recipe, adhering to plumbing and building codes is essential for a safe and compliant installation.
- Give the installation arena - yes, your floor and walls - a little tender loving care to make sure your new sink lands into a cushy, damage-free zone.
- If you're giving an old lavatory the boot, first, play it cool and cut off the water supply. Gently escort the old fixture out, give those drain and supply pipes a once-over, and swap them out if they look a bit weary.
- Choosing the right cabinet is crucial—think of it as finding the perfect pair of shoes for a gala. Ensure your bathroom cabinets are just the right size for your new undermount sink.
- For an enduringly stylish and robust setup, we suggest steering clear of laminate countertops.
- Our sink dimensions are guides, not gospel. Double-check your cabinet measurements to sidestep any installation snags.
- If DIY isn't in your DNA, there's no shame in calling for backup. We encourage enlisting professional help for that picture-perfect installation. And remember, Los Flexi is cheering you on but can't take the fall for any mishaps.

Diving Into Installation:

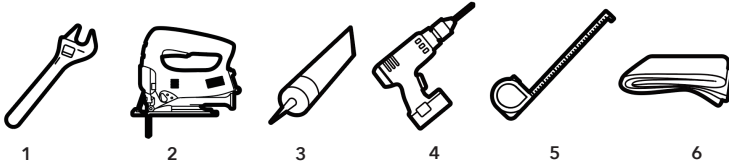
- Your cabinet base should be as steady as a chef's hand. It's the foundation upon which your beautiful new sink will rest.
- Picking the right screws is like choosing the right spices—too much or too little, and things just aren't quite right. Ensure they're the perfect length to keep your sink securely in place without any unwanted surprises.

Eager to see your bathroom evolve into a sanctuary of style and serenity? If you encounter any bumps along the way or just want to share your success, reach out to us at cs@loflexi.com. We can't wait for you to revel in the elegance and functionality of your new undermount bathroom sink.

Happy installing, and here's to a breathtaking bathroom revamp!

Bathroom Sink Regards,
The Los Flexi Team

TOOLS AND MATERIALS REQUIRED (not supplied)



① Adjustable Wrench

② Jigsaw

③ Silicone Sealant

④ Drill

⑤ Tape Measure

⑥ Drop Cloth

PROTECTIVE EQUIPMENT



Cut Resistant Gloves



Safety Glasses

ADDITIONAL MATERIAL (OPTIONAL)

Undermount Sink Clips * 6 / Galvanized Hanging Straps
2 x 4 inch plywood * 2
Screw Rod
Washers
Bolts

(A bar clamp can replace the screw rod, washers, and bolts.)

PACKAGE INCLUDED

Undermount Sink

**For detailed product specifications,
Please check our website: losflexi.com.**

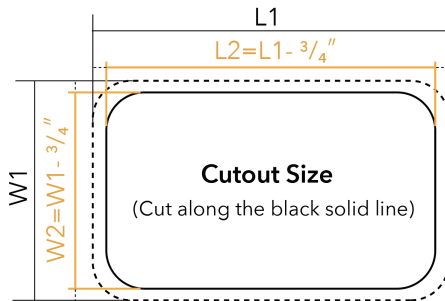
INSTALLATION STEPS

Preparation

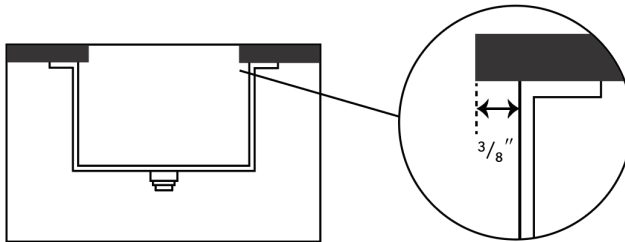
- Determine the sink cutout size.
- Use a jigsaw to cut the countertop.

TIP: Please wear protective equipment when using jigsaw.

Sink Inner Rim Length: L1 **Cutout Length: L2**
Sink Inner Rim Width: W1 **Cutout Width: W2**



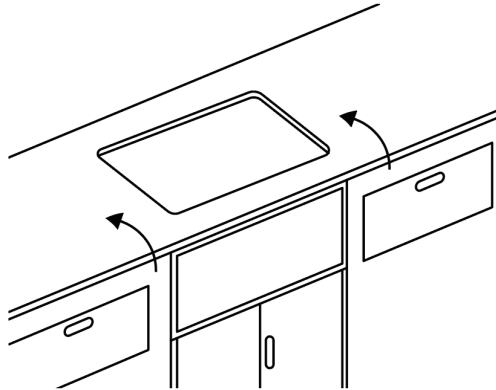
Cutout Size Diagram



Negative Reveal Diagram

Note: The cutout size includes a negative $3/8$ " reveal around the sink to ensure proper installation and prevent an oversized cutout. If a different reveal is required, it is recommended to finalize the cutout after receiving the actual product.

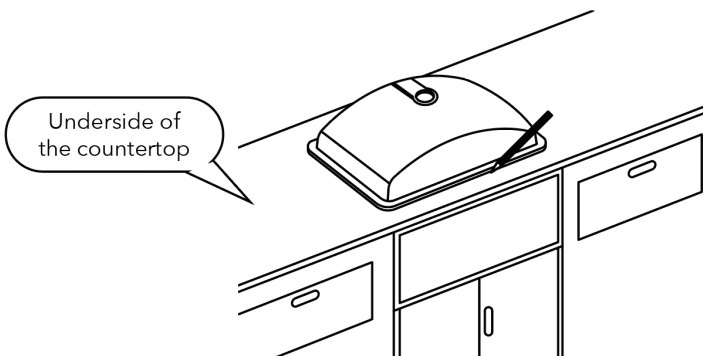
- Flip the countertop over.



Outline The Rim

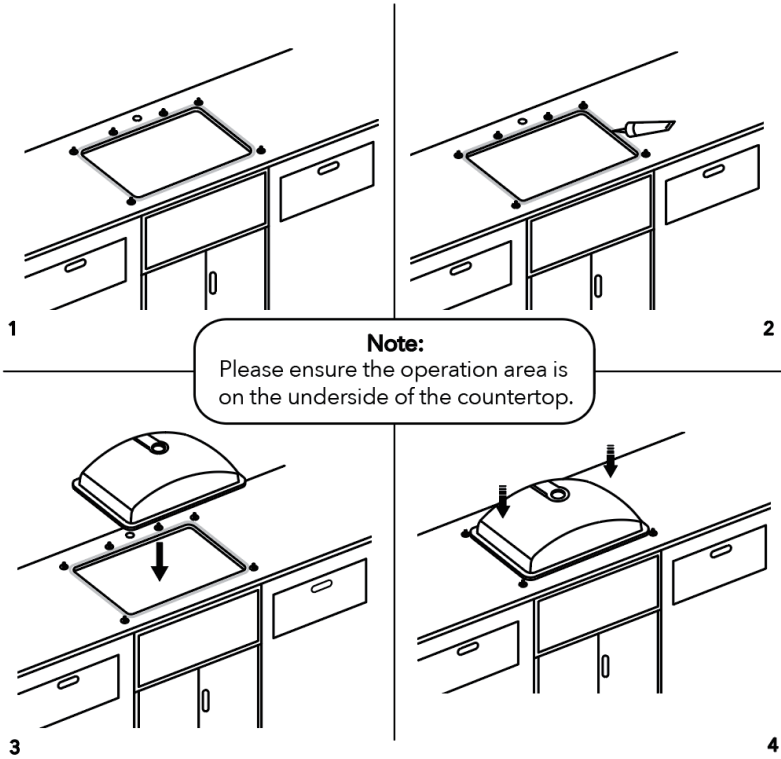
- Position the sink centrally over the sink cutout, ensuring equal overhang on all sides. If the cutout is not suitable for the sink, use a jigsaw to make adjustments.
- Outline the outer rim of the sink on the underside of the countertop with a pencil or fine-tipped marker.

IMPORTANT: The traced outline is for reference only and does not represent the cutout size. Do not use it for cutting.



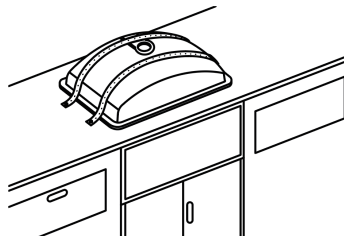
Place Sink Clips

- Position the anchoring posts for the undermount sink clips (not included) outside the traced outline. Use silicone sealant to secure them to the countertop.
- Apply sealant to the sink rim or along the traced outline on the countertop.
- Attach the sink to the countertop.



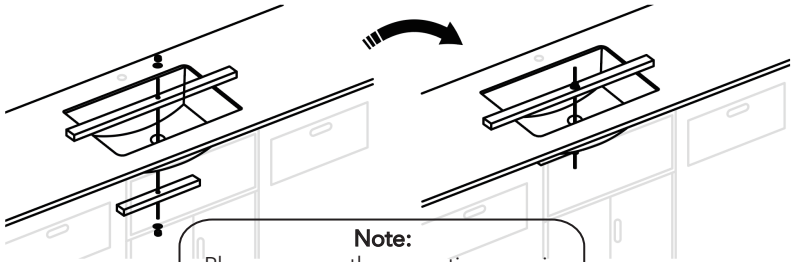
TIP: If undermount sink clips are not on hand, galvanized hanging straps can also be a great alternative for mounting the sink.

Note:
Secure the straps with nails



Alternative Solution 1:

- If moving the countertop is impossible, this solution is recommended:
- Prepare two pieces of 2 x 4 inch plywood, a screw rod, washers, and nuts, ensuring that one plywood piece is longer than the sink's cutout. (You can replace the screw rod, washers, and bolts to a bar clamp if possible.)



Note:

Please ensure the operation area is on the front side of the countertop.

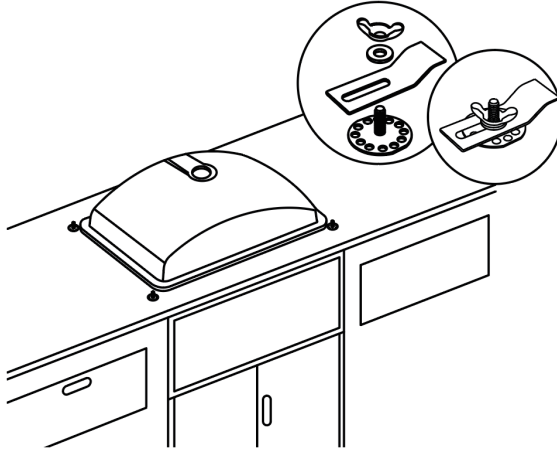
- Apply silicone sealant to the rim of the sink and attach it to the underside of the countertop.
- Secure the sink in place using the plywood and the screw rod. Wait for the sealant to set.
- At the same time, attach the undermount sink clips beneath the countertop.

Alternative Solution 2:

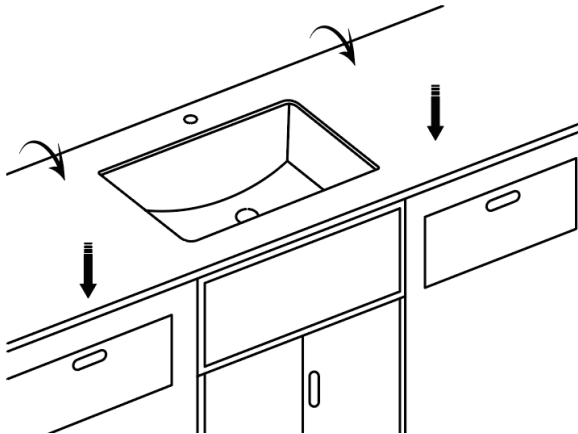
- If you don't have any materials to secure the sink, you can try the following method:
- Stick the anchoring posts of the undermount sink clips to the underside of the countertop and install the clips loosely.
- Apply silicone sealant to the sink rim and place the sink on the underside of the countertop.
- Keep the sink steady and turn each clip over its edge. Gradually tighten the clips to fasten the sink securely.

Final Placement

- Attach the undermount sink clips. Wait about one hour for the sealant to set.



- Move the countertop for the final placement.



PRODUCT CLEANING & CARE

- **Routine Clean-Up:** Make it a habit to clean your sink with gentle dish soap or detergent and lukewarm water. A soft cloth is all you need for wiping, followed by a thorough rinse. Drying off the sink afterwards keeps those pesky water spots at bay.
- **Be Gentle on the Surface:** Stay clear of rough cleaning agents, scouring pads, and steel wool, as they're no friends to your sink's finish. Stick to softer, kinder cleaning methods to keep it looking its best.
- **Tackling Tough Stains:** For stubborn stains, a simple half-and-half solution of water with either bleach or vinegar, or a gentle cleaner, should do the trick.
- **Keeping Buildup at Bay:** Avoid letting water sit in your sink to prevent mineral deposits from forming. A soft solution of vinegar and water can help clean up any buildup that does occur.
- **Installation and Upkeep:** Make sure your sink's installation is spot on, calling in the experts if you're unsure. Keep an eye out for any signs of wear and tear, and deal with them swiftly to keep your sink in tip-top shape.

IMPORTANT CONSUMER INFORMATION

Consumer Responsibilities For Undermount Sink Maintenance

- In hard water areas, prevent mineral deposits with regular rinsing and vinegar wipes.
- Clean your undermount sink weekly using non-abrasive cleaners to maintain its appearance and hygiene. Most non-abrasive cleaners are safe for your sink.
- Always follow specific instructions provided with the cleaning agents.
- Remove tough stains using a baking soda and vinegar paste. Use soft-bristled brushes for thorough cleaning, especially in corners and around the drain to avoid deposit accumulation.

WARNING

- DO NOT use cleaners containing any abrasive powders, bleach, ammonia, alcohol, or chlorine, because they can scratch and dull the sink's finish.
- AVOID using stiff brushes or steel wool for cleaning; opt for soft-bristled brushes to prevent surface damage.
- DO NOT neglect routine cleaning with suitable non-abrasive cleaners to preserve the sink's appearance and hygiene; always adhere to the cleaner's instructions.
- BEWARE of improper removal of tough stains; use only a baking soda and vinegar paste for safe and effective cleaning.
- Los Flexi is not responsible for damage resulting from the use of inappropriate cleaning methods or neglecting regular maintenance.

TROUBLESHOOTING GUIDE

PROBLEM & RECOMMENDED ACTION

Detecting Water Leaks:

- Inspect underneath the sink for moisture or signs of leakage, focusing on the connections and joints.
- Wipe the faucet base, drain, and piping with a dry cloth or paper towel to check for dampness, indicating leaks.
- Quiet down the room and listen for any dripping sounds from the faucet or piping.
- Fill the sink and then drain it, watching the drain pipes for leaks as the water exits.
- Examine the faucet and sink seals for any signs of cracking, wear, or separation that could lead to leaks.

Dealing With Faucet Blockages:

- Unscrew the tip of the faucet to inspect the strainer for any trapped debris.
- Look for mineral deposits in the faucet, especially in hard water regions or if the faucet hasn't been used for some time.
- Should basic troubleshooting fail to improve water flow, it may be time to get a plumber to check for more complex blockages in the plumbing.

Addressing Stains and Discoloration:

- Use gentle, non-abrasive cleaners for routine cleaning.
- Treat stubborn stains with baking soda or white vinegar, let it sit, then scrub softly with a dishcloth.

Dealing with Chips or Cracks:

- Contact us via email or phone for a replacement within the warranty period.
- Small damages can be fixed with a porcelain repair kit.
- For significant cracks or chips, professional repair is advisable.

Solving Fitting and Installation Challenges:

- If unfamiliar with remodeling, professional assistance is recommended.
- Confirm the sink's measurements and make necessary adjustments to the cabinet or countertop.
- Utilize shims to ensure the sink fits levelly and seal any gaps for a smooth adjustment.

LIMITED WARRANTY COVERAGE

TWO YEAR LIMITED WARRANTY

Los Flexi products are crafted with superior materials and impeccable workmanship, offering our customers reliable and long-lasting products. If defects in materials or craftsmanship are detected under standard use within the first two years of installation, Los Flexi will either supply replacement parts at no charge or, if deemed necessary, replace the product or its parts.

This warranty is exclusive to the original purchaser, and proof of purchase is mandatory for any claim.

This Warranty Will Be Voided If:

- The product's installation did not follow our recommendations.
- The product was relocated from its initial installation site.
- The product underwent any modifications from its original condition.
- The product suffered from neglect, misuse, chemical overuse, accidents, or any other damages.

Los Flexi does not imply that our products adhere to local building or plumbing codes. Consumers must ascertain local code compliance before and during installation. This warranty is strictly for the original purchaser and first consumer.

Los Flexi won't be held responsible for any consequential damages linked to the product's installation, replacement, return, or usage. This includes, but is not limited to, freight charges, labor, downtime, home damages, and other associated costs (e.g., professional services, investigations, audits, legal fees). This Los Flexi warranty clearly delineates our liability. Items not specified in this warranty fall outside Los Flexi's responsibility. In states with variations concerning implied warranties, our compliance is ensured.

For any questions or concerns, feel free to reach out to us at

Email: cs@losflexi.com
Phone: (+1) 662-502-5099
Site: www.losflexi.com