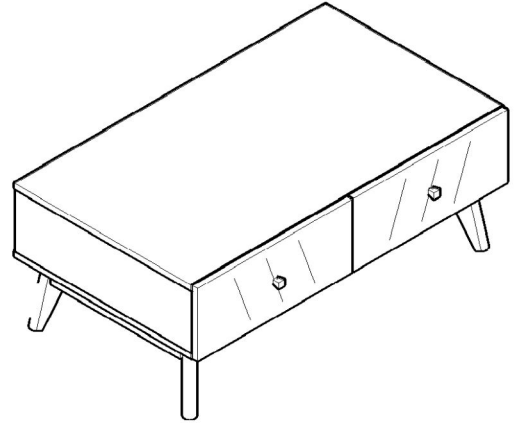


ASSEMBLY INSTRUCTIONS

Thank you for your purchase.
 Before assembly, please read these instructions.
 Please read all warnings.
 Store this instruction manual for future reference.



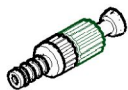
Product Size	Approximately 565 Width x 964 Length x 373 Height (MM)
Main Materials	MDF (Medium Density Fiberboard)
Weight Capacity	Top insert: About 30KG , Shelf insert: About 10KG , ※ These are measured figures, not guaranteed figures.
Time To Assembly	About 60 Minutes

Assembly Warning

- Assembling with 2 or more people is recommended.
- Please assemble at a spacious and flat place
- Please place blankets or cardboard so floor or walls will not be scratched
- Please ventilate the area if there is a strong glue odor after opening the product
- Please follow assembly instructions
- Please have the below tools ready before assembling
 - Screwdriver, Scissors or Blade Box cutter, Rubber hammer, Drill

Hardware

Before assembly, inspect unit for missing parts. Be sure that children do not accidentally swallow these parts.
 ※ Same sized parts are in a bag. Please check the size of the screws.



A Minifix
M5x24MM **10 Pcs**



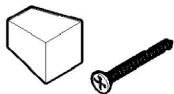
B Minifix
Casing **10 Pcs**



C Wood Dowel
M8x30MM **16 Pcs**



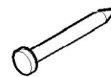
D Drawer Slide 12" **2 Set**
Screw M3.5x12MM **24 Pcs**



E Pvc Knob Handle **2 Pcs**
M4x25MM **2 Pcs**



F Screw M6x50MM **8 Pcs**



G Power Pin **10 Pcs**



H Screw
M7x50MM **8 Pcs**



I Screw M4x38MM **8 Pcs**

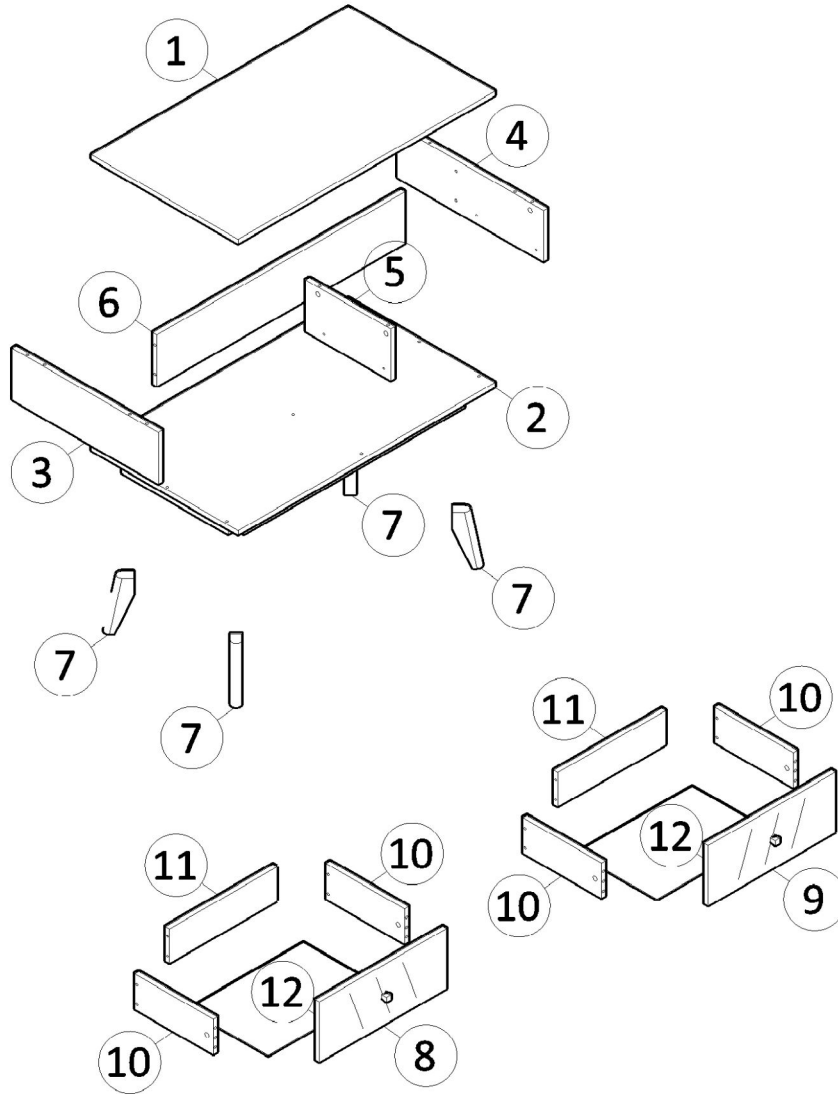


J Allen Key **1 Pc**



K White Leg Pin **4 Pcs**


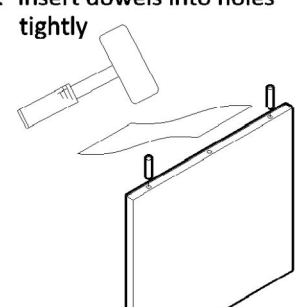

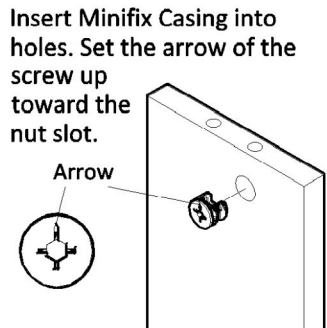

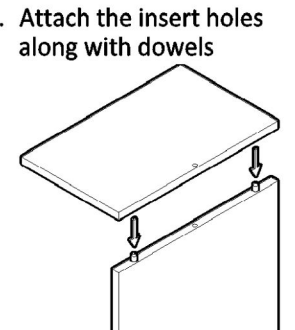
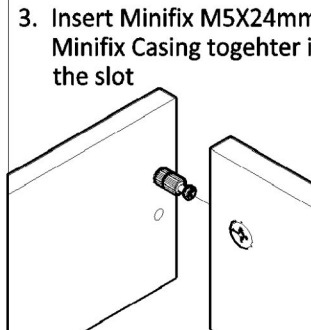
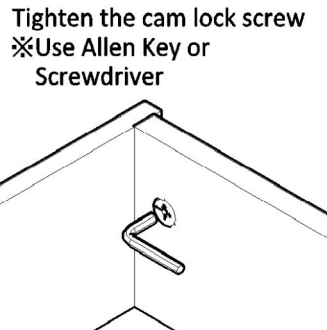
Parts



1	Top Panel	1 Pc
2	Bottom Panel	1 Pc
3	Side Panel (L)	1 Pc
4	Side Panel (R)	1 Pc
5	Center Panel	1 Pc
6	Back Panel	1 Pc
7	Leg Panel	4 Pcs
8	Drawer Face Panel (L)	1 Pc
9	Drawer Face Panel (R)	1 Pc
10	Drawer Side Panel	4 Pcs
11	Drawer Back Panel	2 Pcs
12	Drawer Mdf Board	2 Pcs

Assembly Information

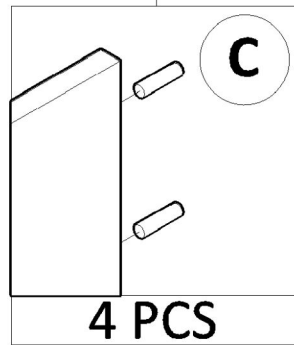
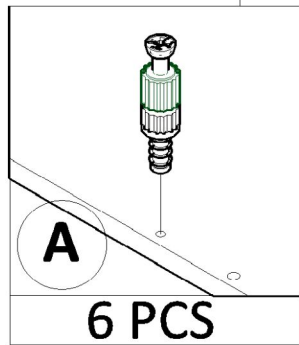
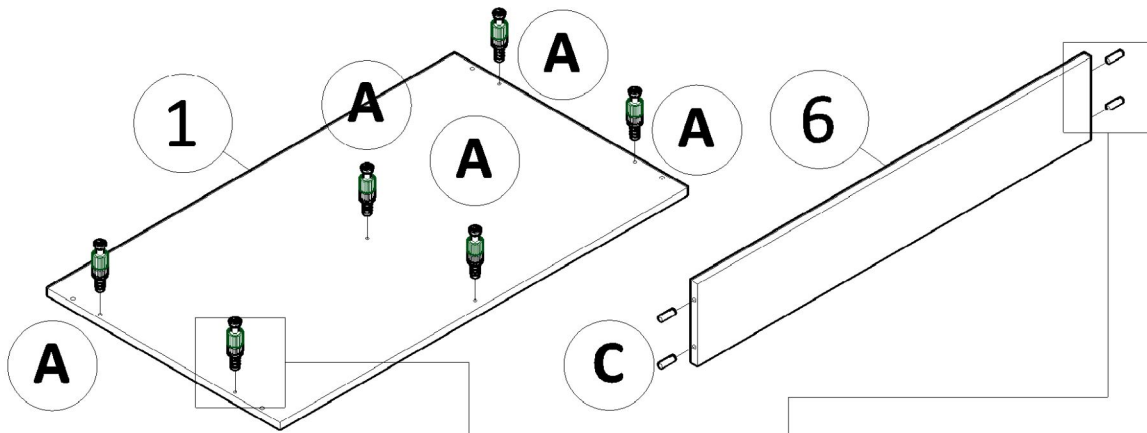
- Assemble screws
- Assemble Wood Dowels
- Assemble Minifix

<p>1. Screw up to half point to make sure all spots are lined up</p> 	<p>1. Insert dowels into holes tightly</p> 	<p>1. Screw Up Minifix M5X24MM into holes. Tighten all Minifix.</p> 	<p>2. Insert Minifix Casing into holes. Set the arrow of the screw up toward the nut slot.</p> 
<p>2. Tighten all screws</p> 	<p>2. Attach the insert holes along with dowels</p> 	<p>3. Insert Minifix M5X24mm and Minifix Casing together into the slot</p> 	<p>4. Tighten the cam lock screw ※Use Allen Key or Screwdriver</p> 

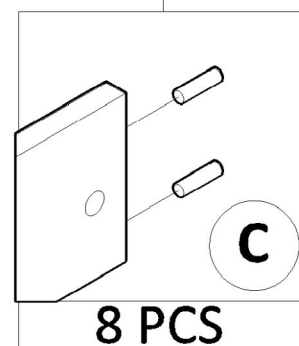
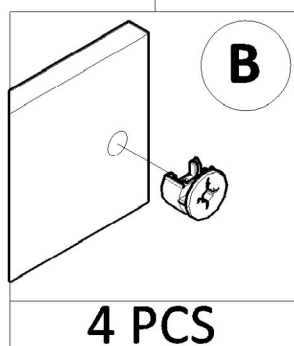
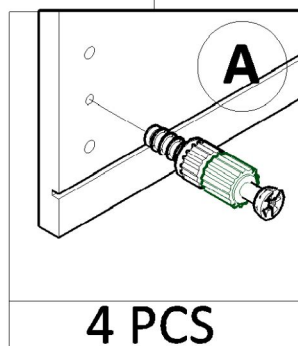
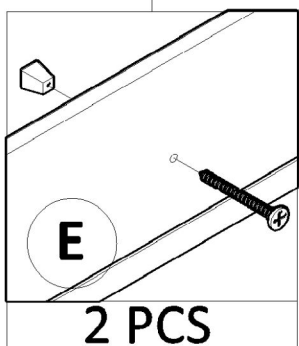
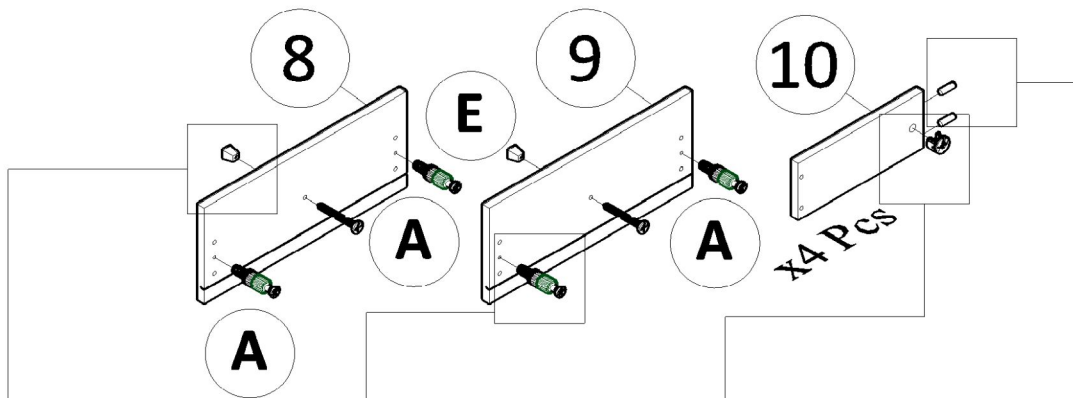
Assembly Step

Failure to follow these directions could cause poor strength or stability.
Insert screws loose to line up with slots then tighten up each screw.

1

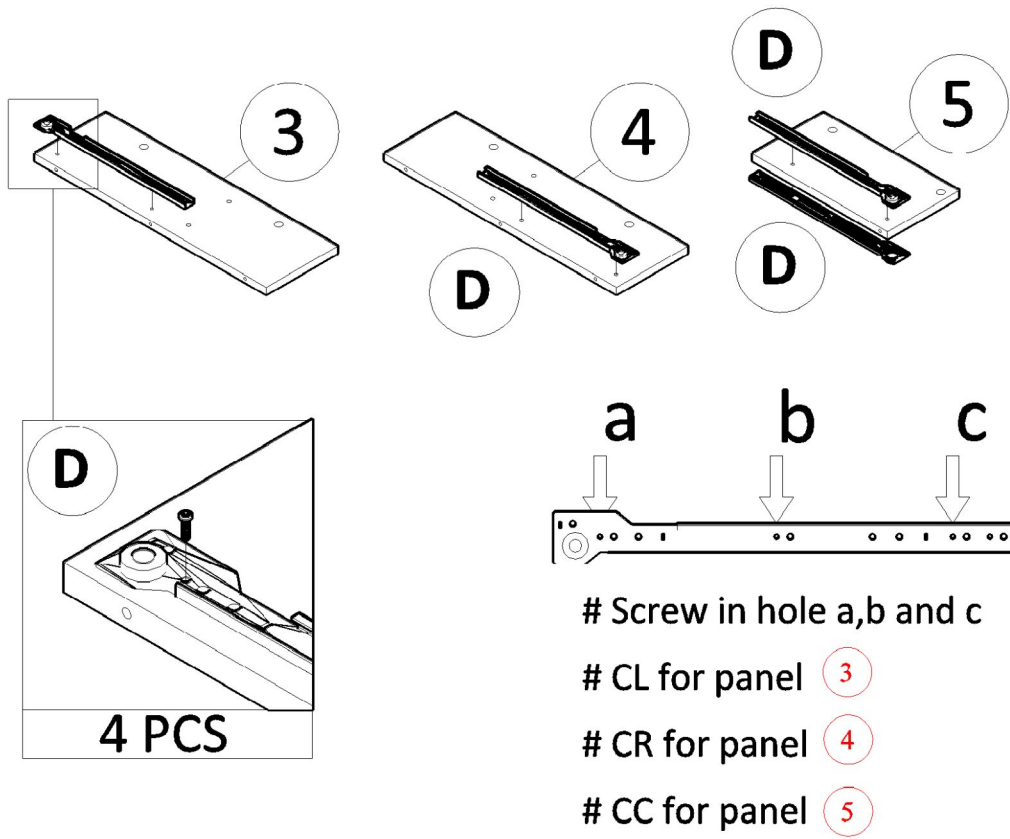


2

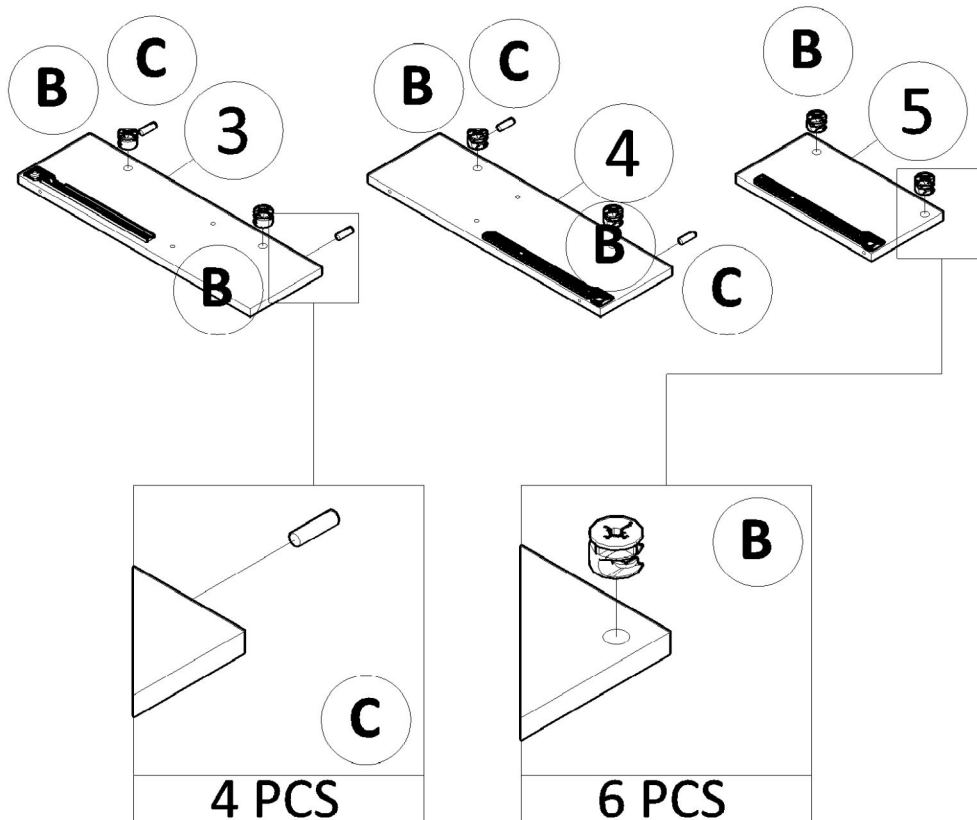


Assembly Step (Continue)

3

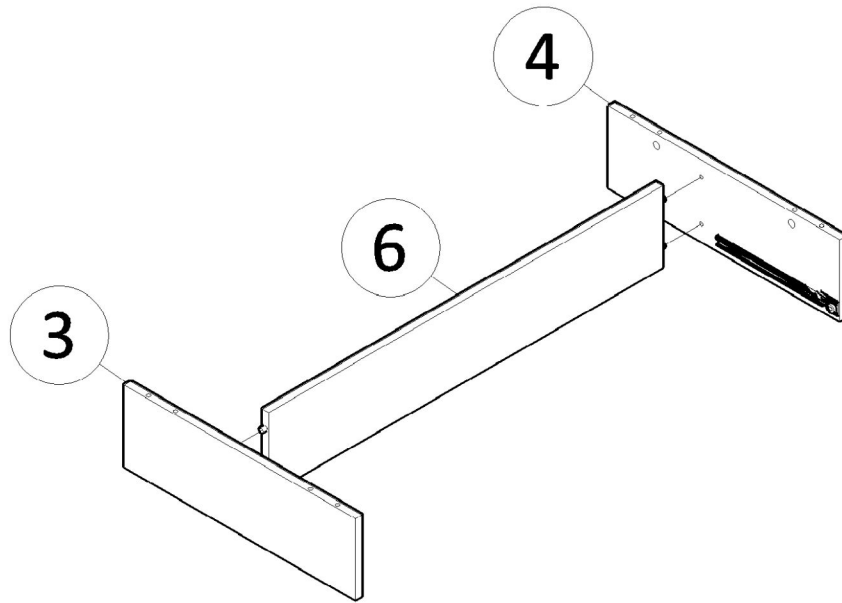


4

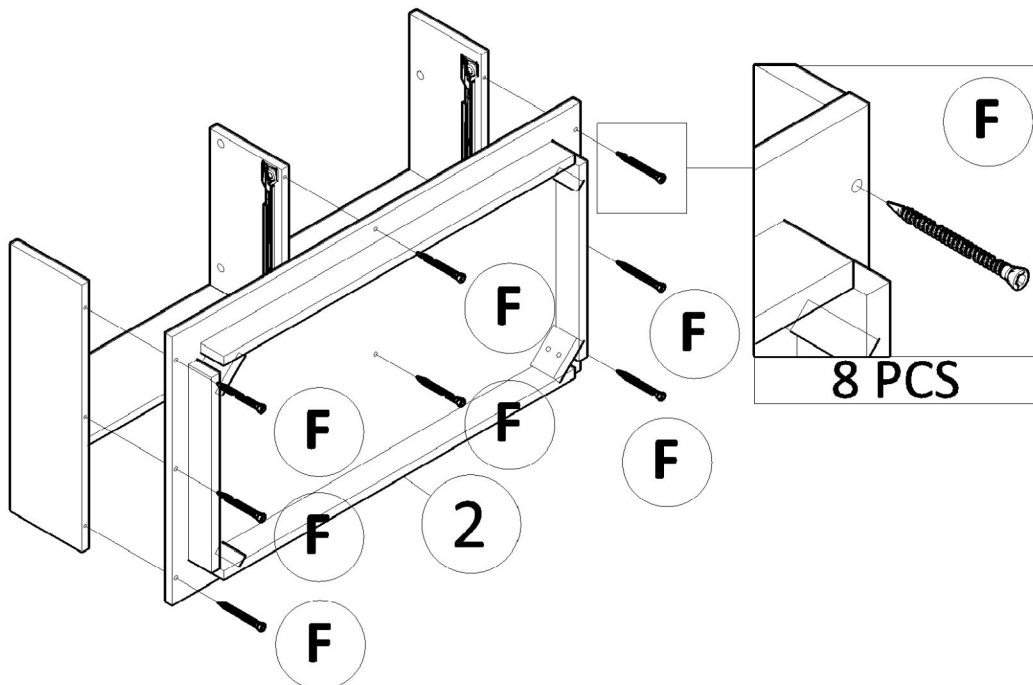


Assembly Step (Continue)

5

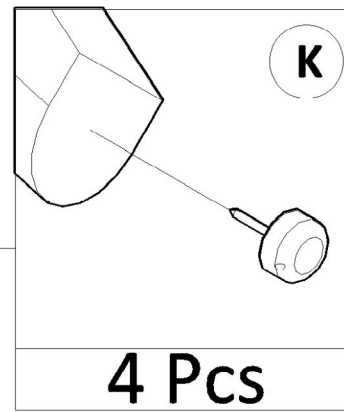
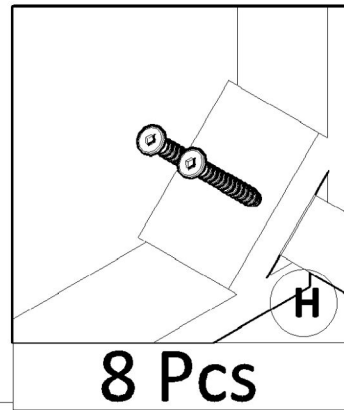
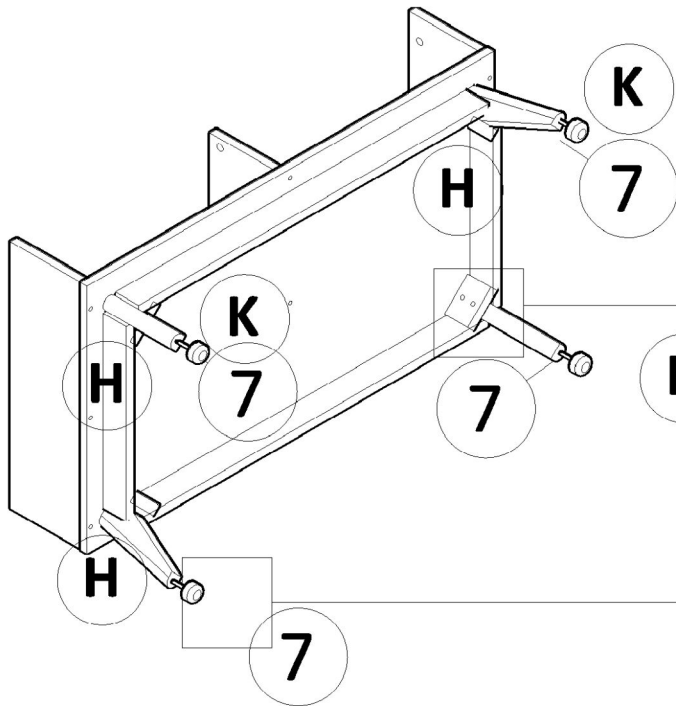


6

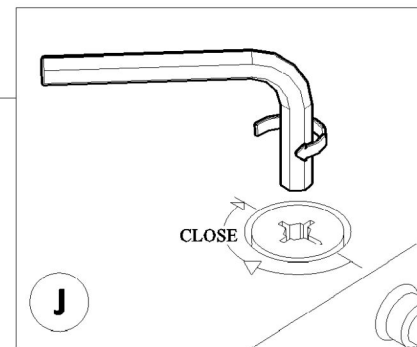
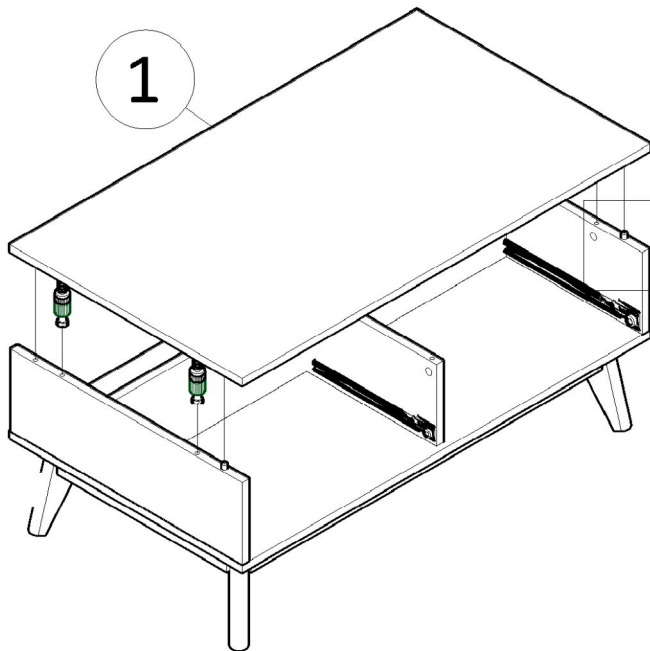


Assembly Step (Continue)

7

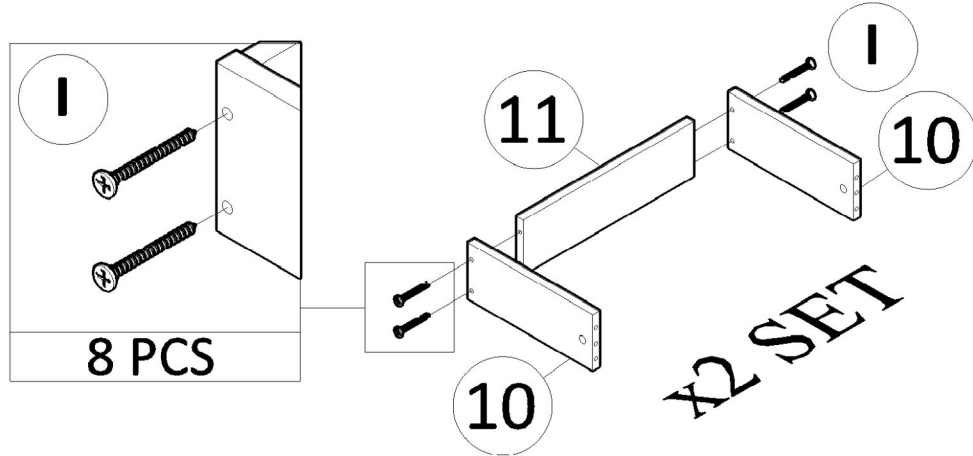


8

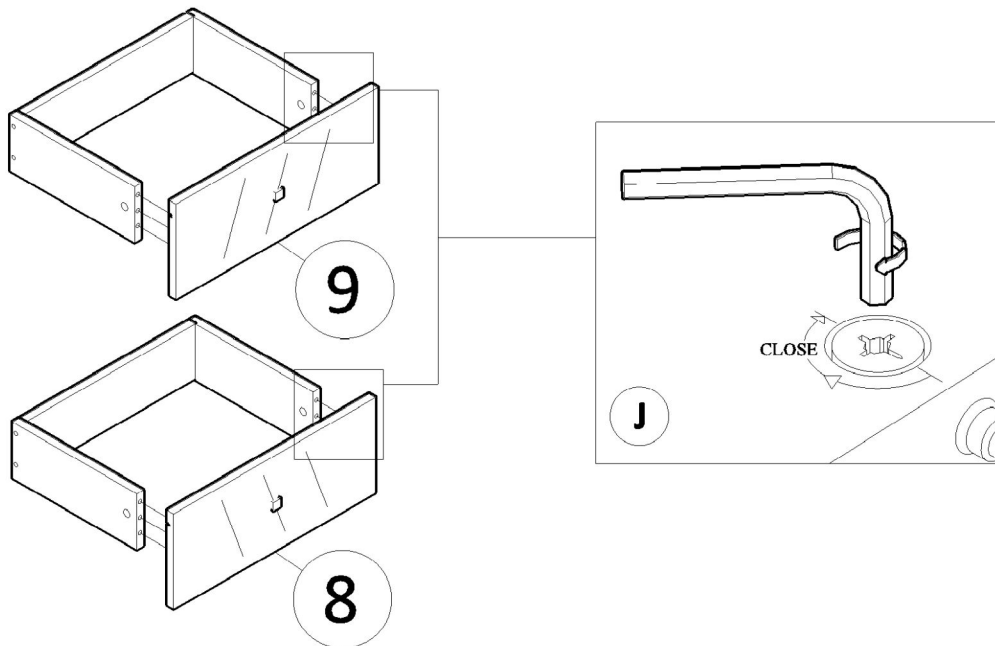


Assembly Step (Continue)

9

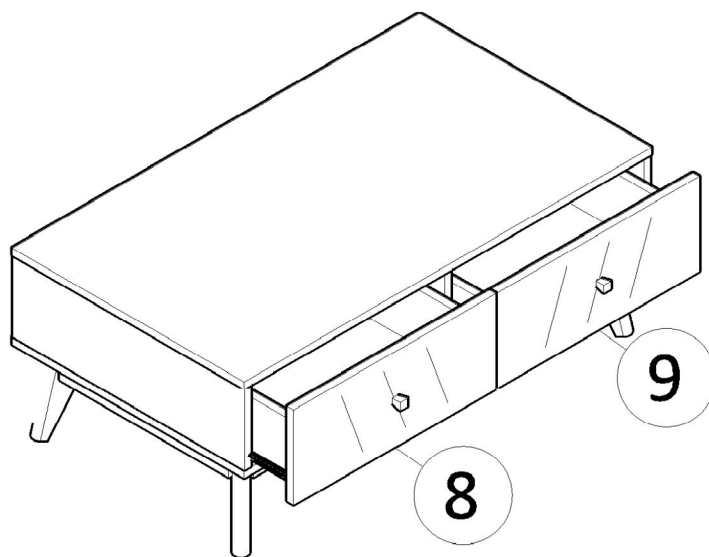


10

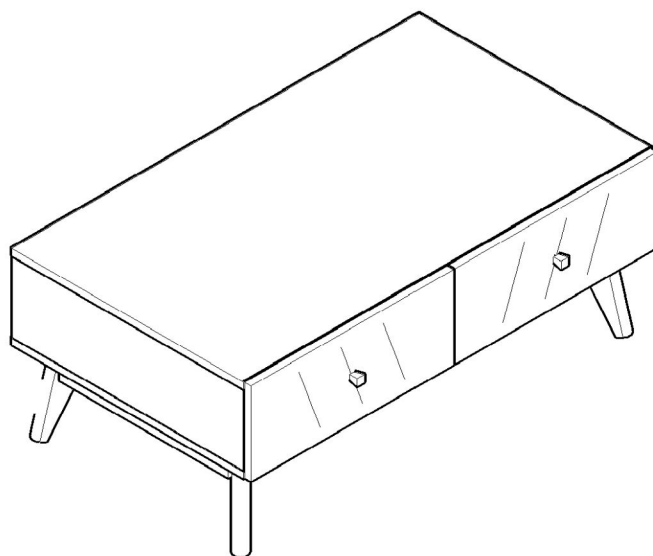


Assembly Step (Continue)

13



14 COMPLETED



Safety

Please read the below warnings before use.

Failure to follow these warnings could result in serious injury.



CAUTION !!!

Purpose

- Do not use this unit except for original application
- This unit is for household use. Do not use it for wholesale.
- This unit is for indoor use. Do not use it outside.

Assembly

- Assembling with 2 or more people is recommended
- Please assemble at a spacious and flat place
- Please place blankets or cardboard so floor or walls will not be scratched
- Please ventilate the area if there is strong glue odor after opening the product
- Please follow assembly instructions

Placing The Unit

- Store the unit on a flat surface.
- Place a mat under the unit if you place it on wood floors for floor protection
- Do not place the unit in areas where conditions are extreme, such as direct sun or a humid place
- Do not place the unit in a hot or humid area, such as near the heater or fireplace

Usage

- Please check your surroundings when you use this unit
- Do not place any hot or wet objects on the unit
- Remove all objects on the unit when you move it
- Do not leave water or wet objects on the surface.
- Do not use it for toys
- Do not stand on it or use it for a step stool.
- Do not overload only the top drawers. Load the same amount to help prevent tipping of the unit.
- Do not leave drawers open or put pressure on opened drawers to help prevent falling or wrecking.
- Do not stand or put pressure on opened drawers.
- Colors could fade
- Please open drawers slowly
- Make sure you do not catch your finger when you use the drawer.
- Weight Capacity Top insert: About **30KG** , Shelf insert: About **10KG**,
※ These are measured figures, not guaranteed figures

Cleaning

- Please check all assembled parts are tight regularly. (About once a month)
- Use dry soft cloths for dust and spots
- For heavy spots, use clothes with neutral detergent then dry in a well ventilated area.
- Do not use if any parts are broken.
- Please recycle the unit or its package depending on your city rules.