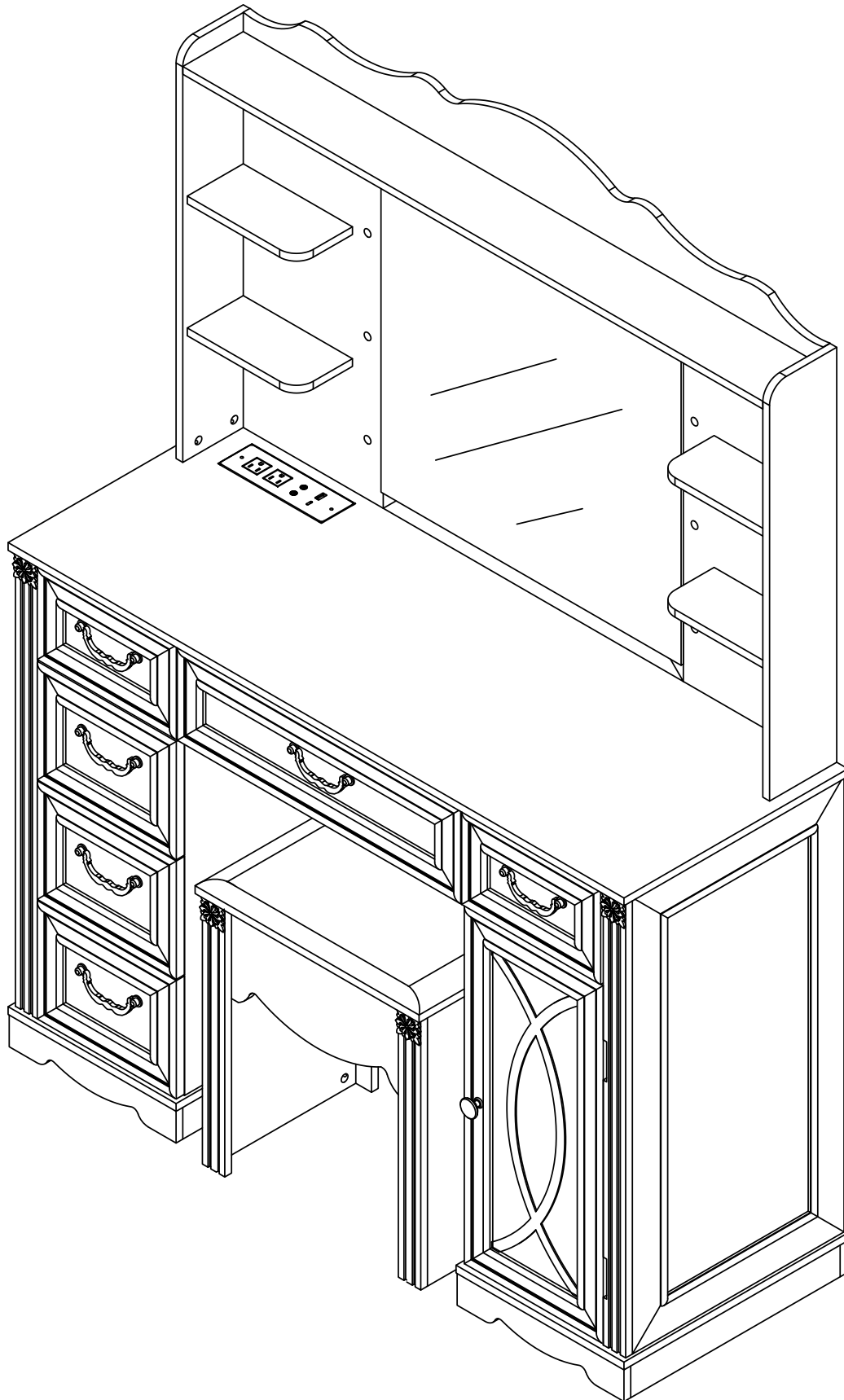
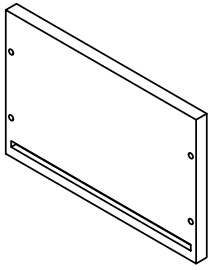
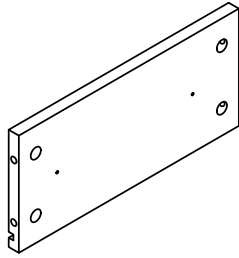


Product Installation Instructions

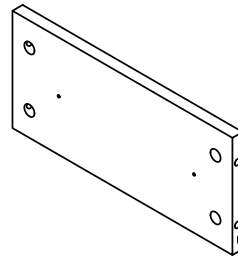




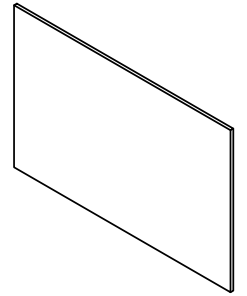
1x3



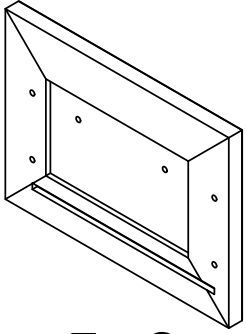
2x3



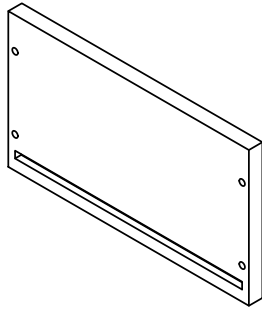
3x3



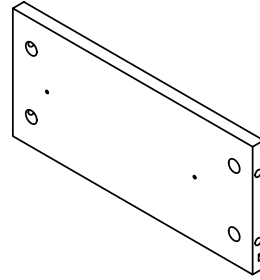
4x3



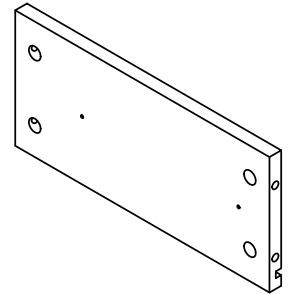
5x3



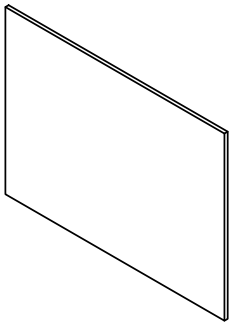
6x2



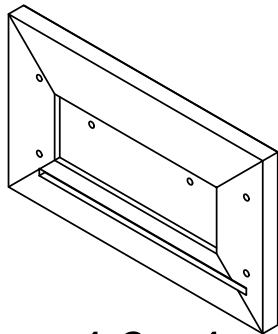
7x3



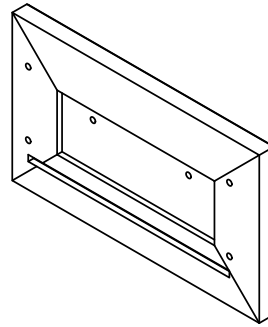
8x3



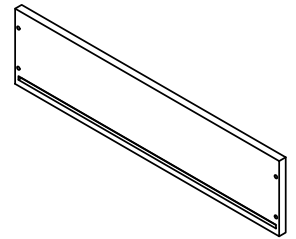
9x2



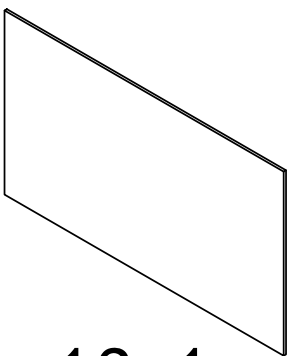
10x1



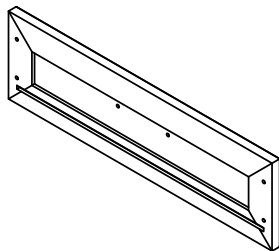
11x1



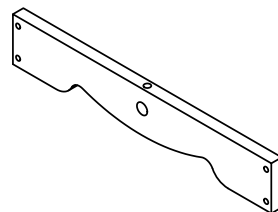
12x1



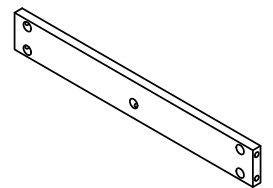
13x1



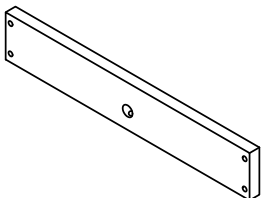
14x1



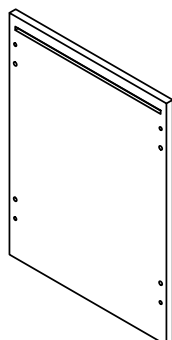
15x2



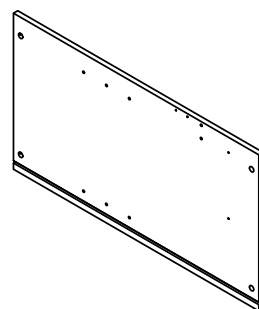
16x4



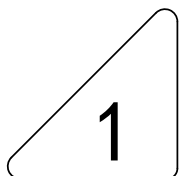
17x2



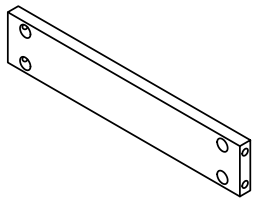
18x2



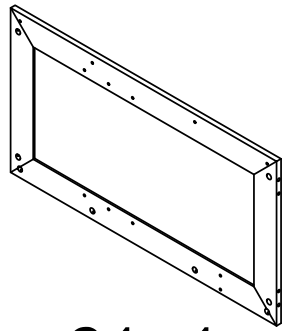
19x1



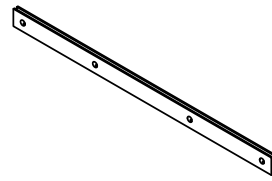
1



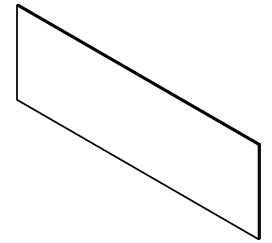
20x4



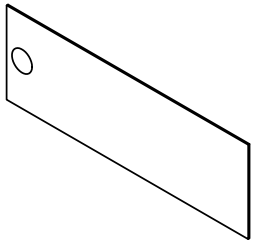
21x1



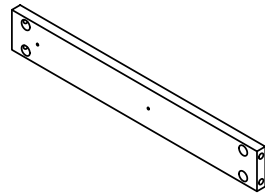
22x1



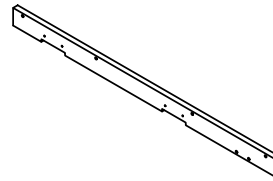
23-Ax1



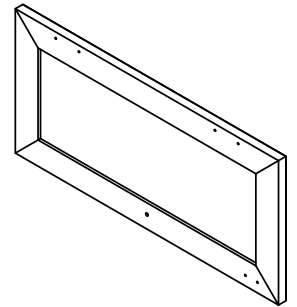
23-Bx1



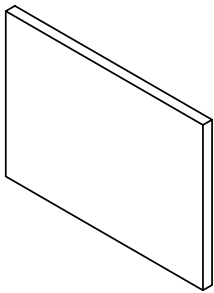
24x2



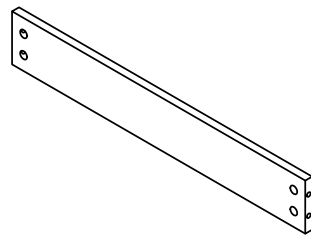
25x1



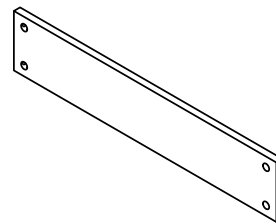
26x1



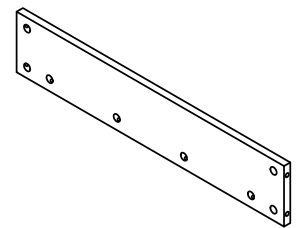
27x1



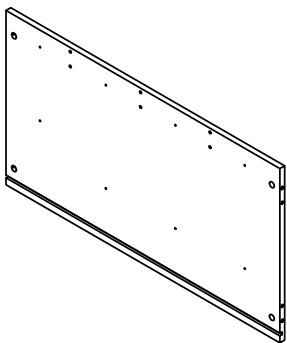
28x1



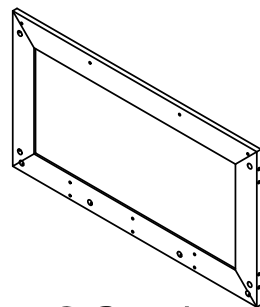
29x1



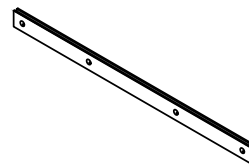
30x1



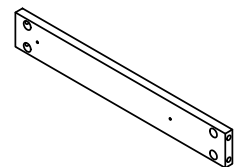
31x1



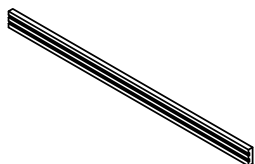
32x1



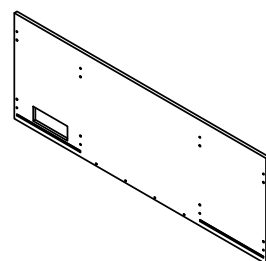
33x1



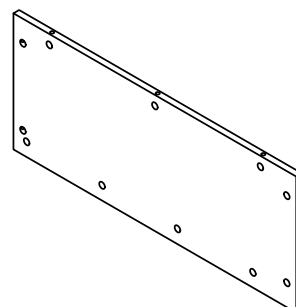
34x3



35x1

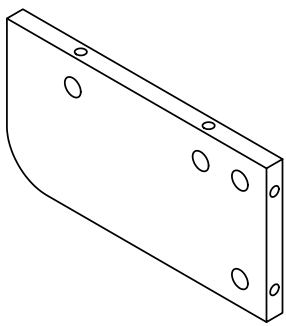


36x1

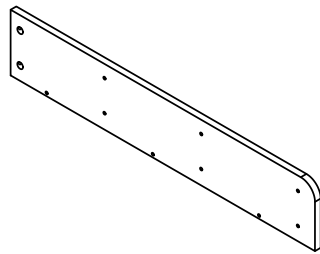


37x1

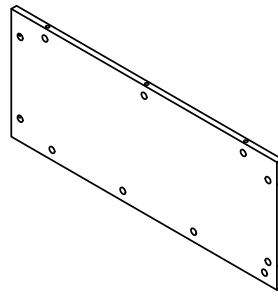




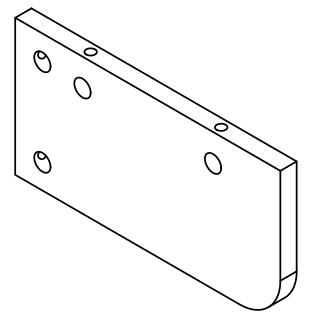
38x2



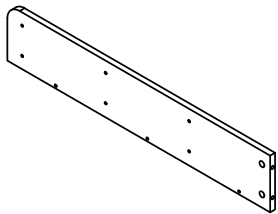
39x1



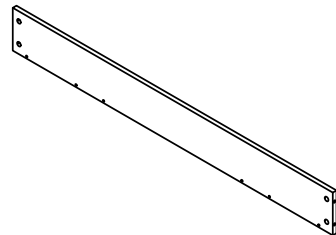
40x1



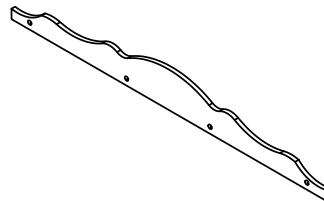
41x2



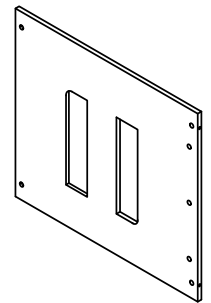
42x1



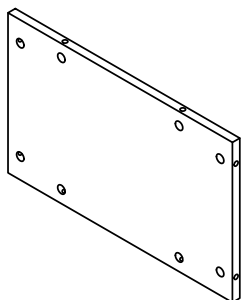
43x1



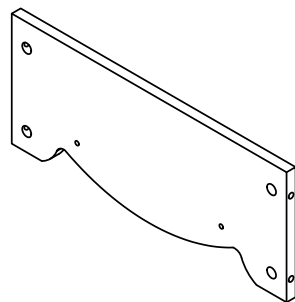
44x1



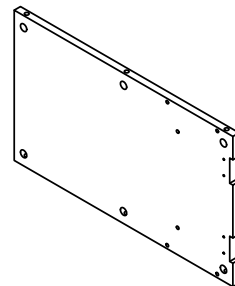
45x1



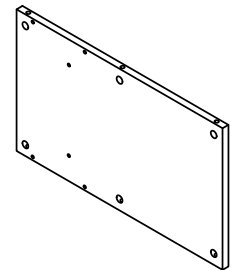
46x1



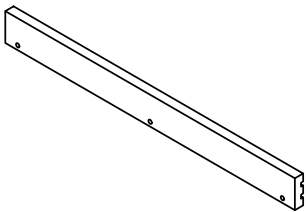
47x2



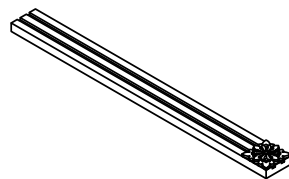
48x1



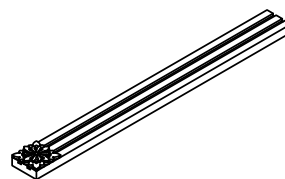
49x1



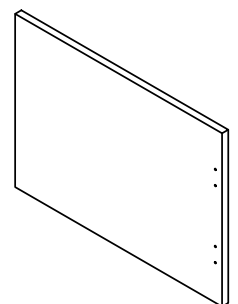
50-Ax2



50-Bx1

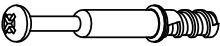

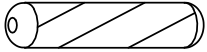



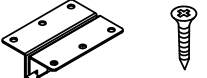





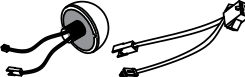






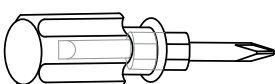
50-Cx1



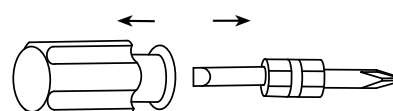
51x1

Accessories list

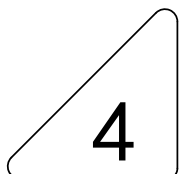
A		Two In One Screw (6x28mm)	230pcs +8pcs
B		Two In One Nut (10x12mm)	230pcs +8pcs
C		Wood Chipping (6x30mm)	16pcs +2pcs
D		Screw & Guide(24cm) (3x12mm)	12pcs / 72pcs +4pcs
E		Handle & Screw (4x8mm)	6pcs / 12pcs +2pcs
F		Non-slip pads	12pcs +2pcs
G		Hinge & Screw (3.5x12mm)	2pcs / 12pcs +2pcs
H		Fixing clip & screw (3x16mm)	8pcs +2pcs
I		Handle & Screw (4x16mm)	1pcs / 1pcs +1pcs
J		Door Magnet & Scre & wlrn Sheet (3x12mm) (3x10mm)	1pcs / 1pcs 2pcs / 2pcs
K		Laminate support nail	4pcs +1pcs
L		Power Socket & Screw (3x10mm)	1pcs / 2pcs +1pcs
M		Power cord extension cord & Light Bulb	11pcs / 1pcs
N		Wire Clamp	10pcs
O		Hinge & Screw (3.5x12mm)	2pcs / 8pcs +2pcs
P		Screw (3.5x12mm) anti-tipping tape gasket	1pcs
Q		Screw Countersunk head tapping	1pcs



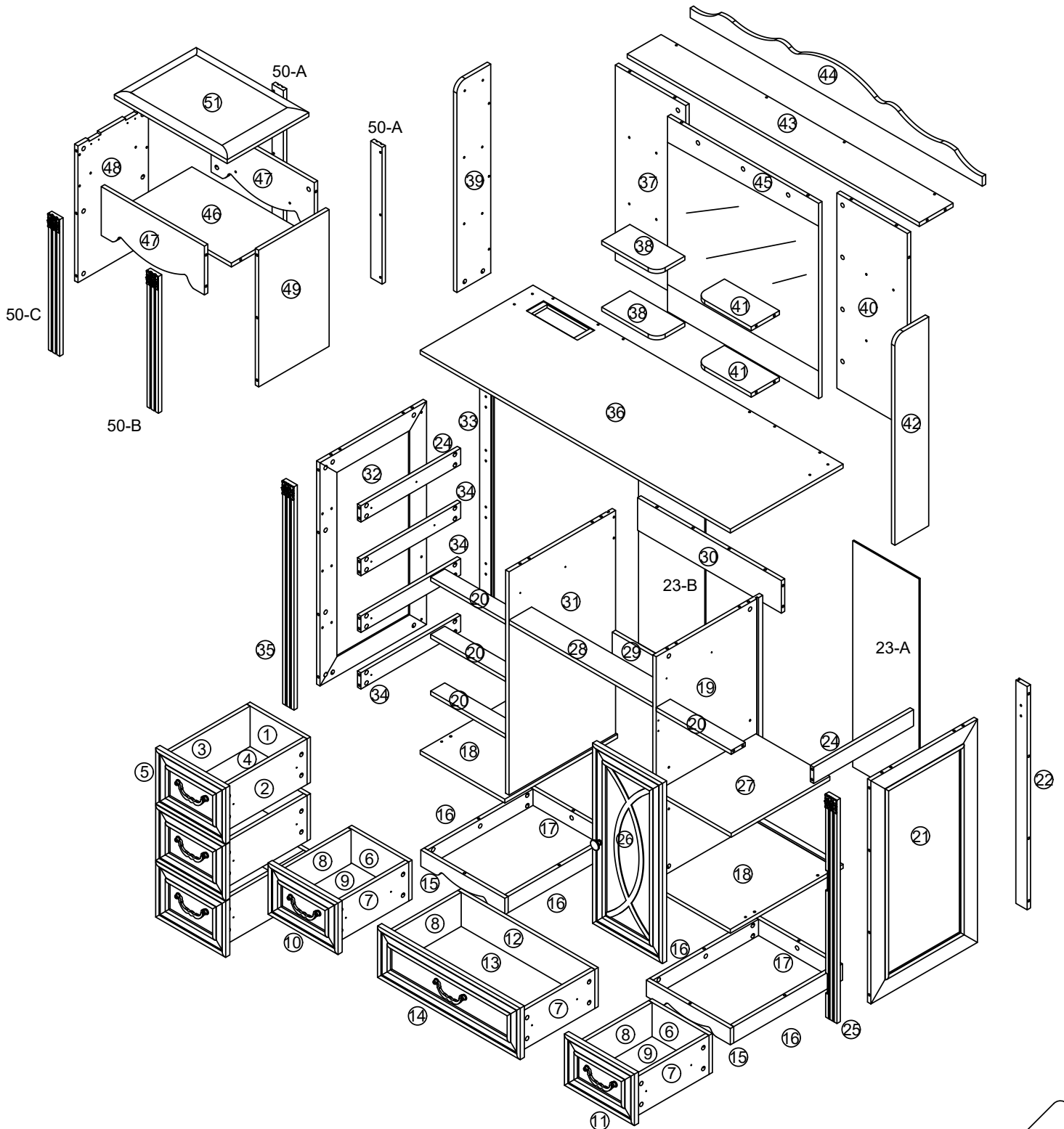
1pcs

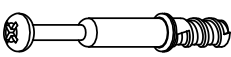

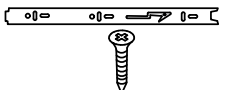



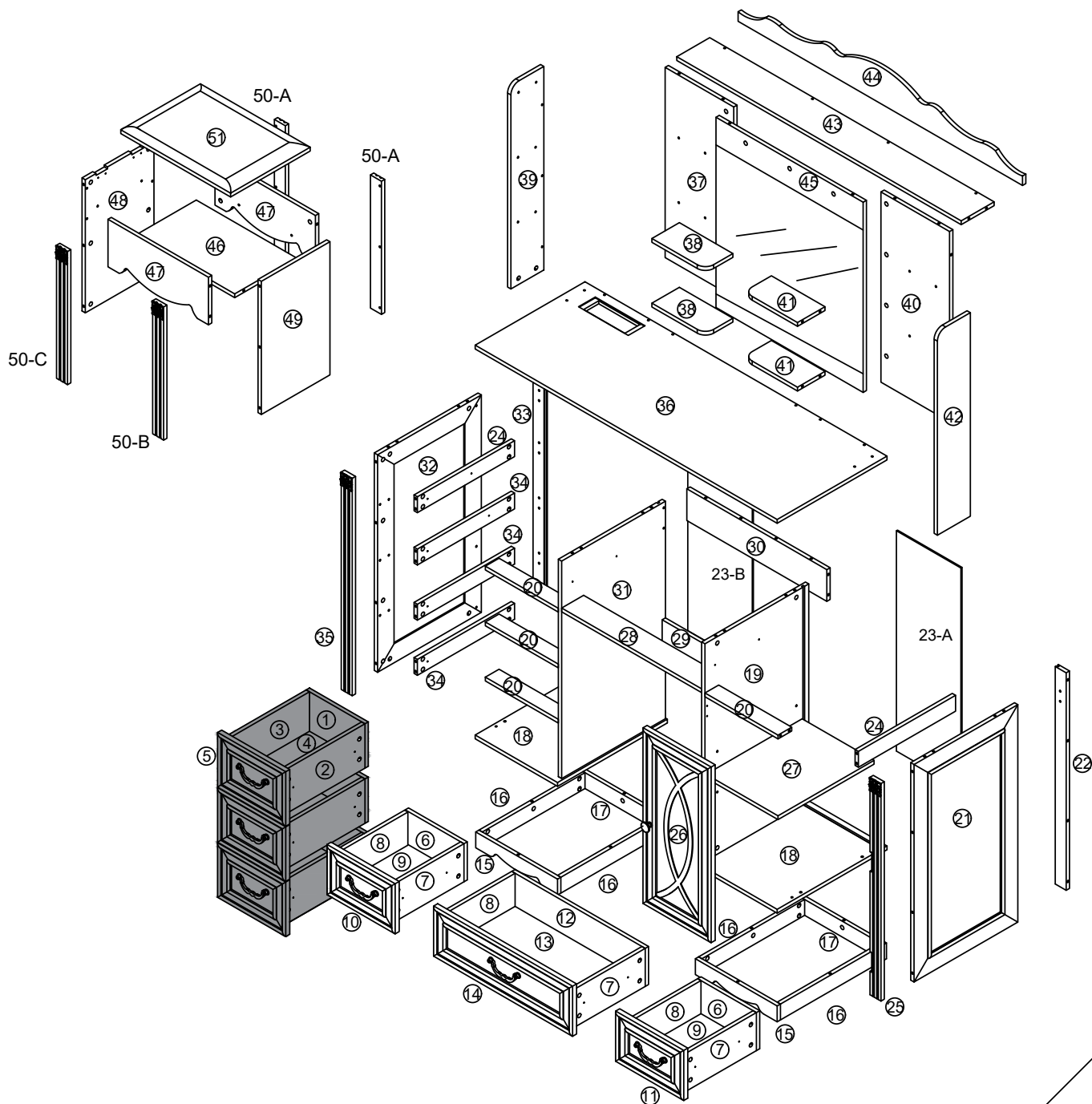
Double-head screwdriver, use as required



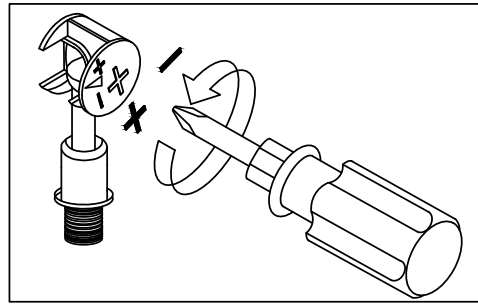
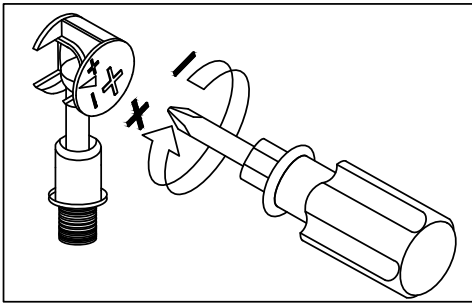
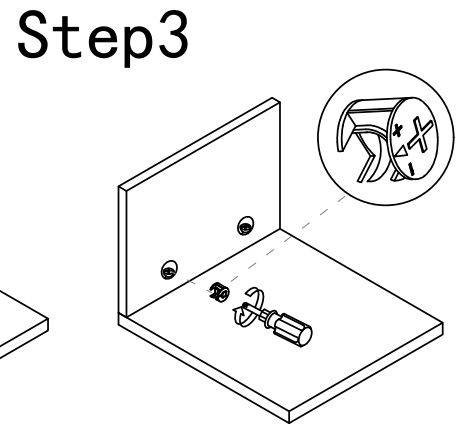
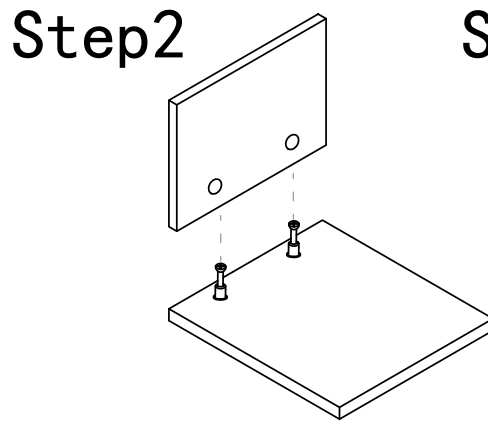
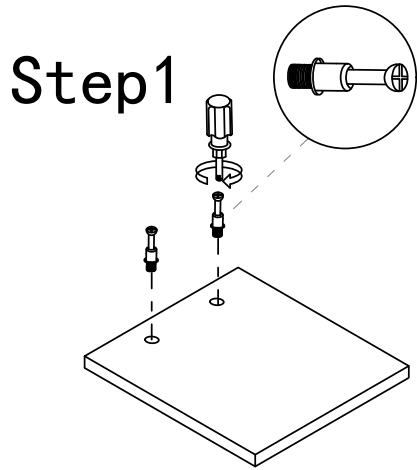
Product Explosion diagram



A		24pcs	B		24pcs	D		6pcs	
E		3pcs 6pcs							

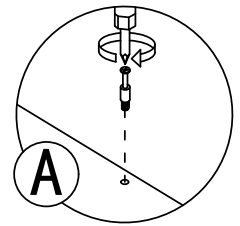
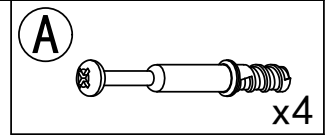
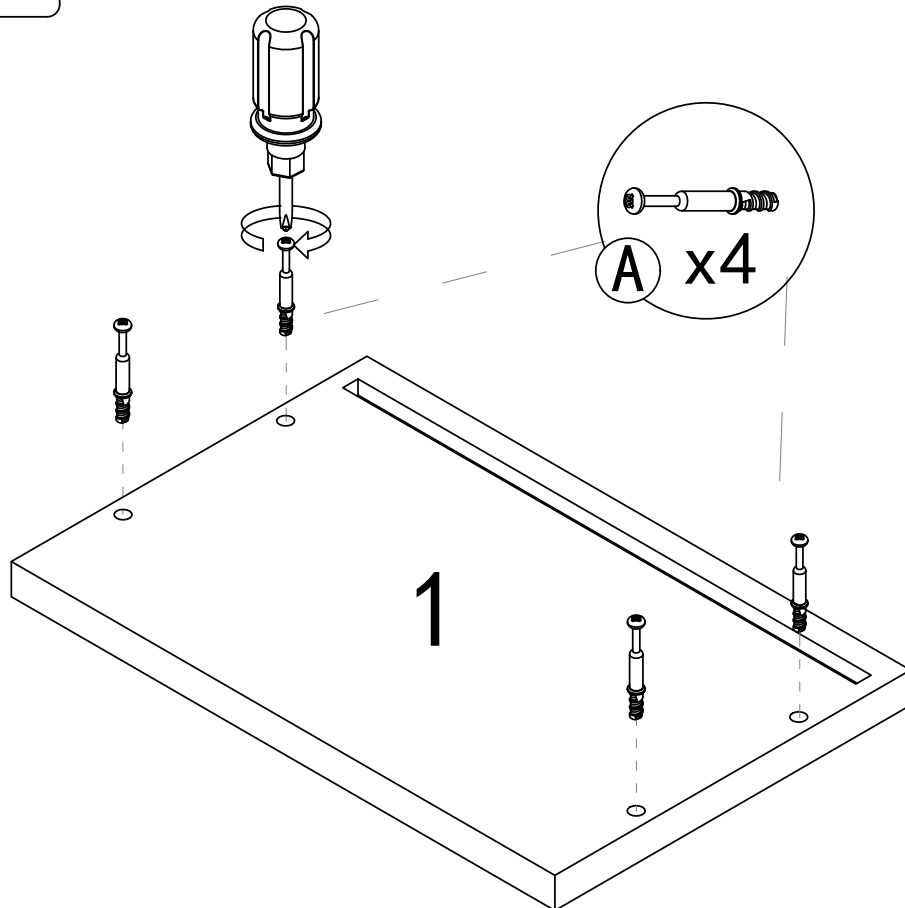


Use parts A and B

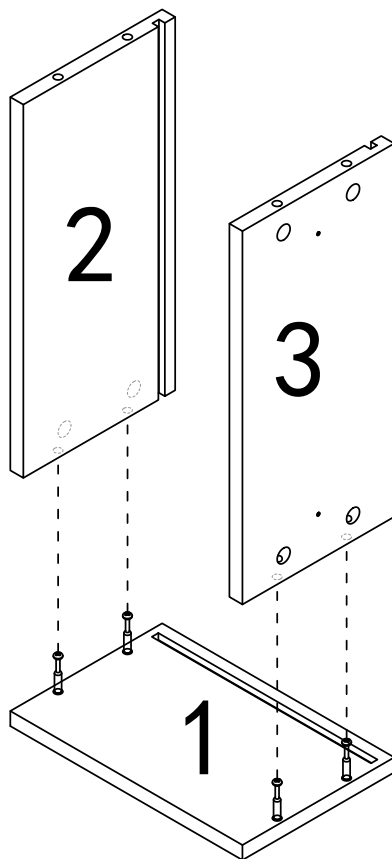


Use a screwdriver to lock in the direction of the "+" sign Disassemble along the direction of "-" sign

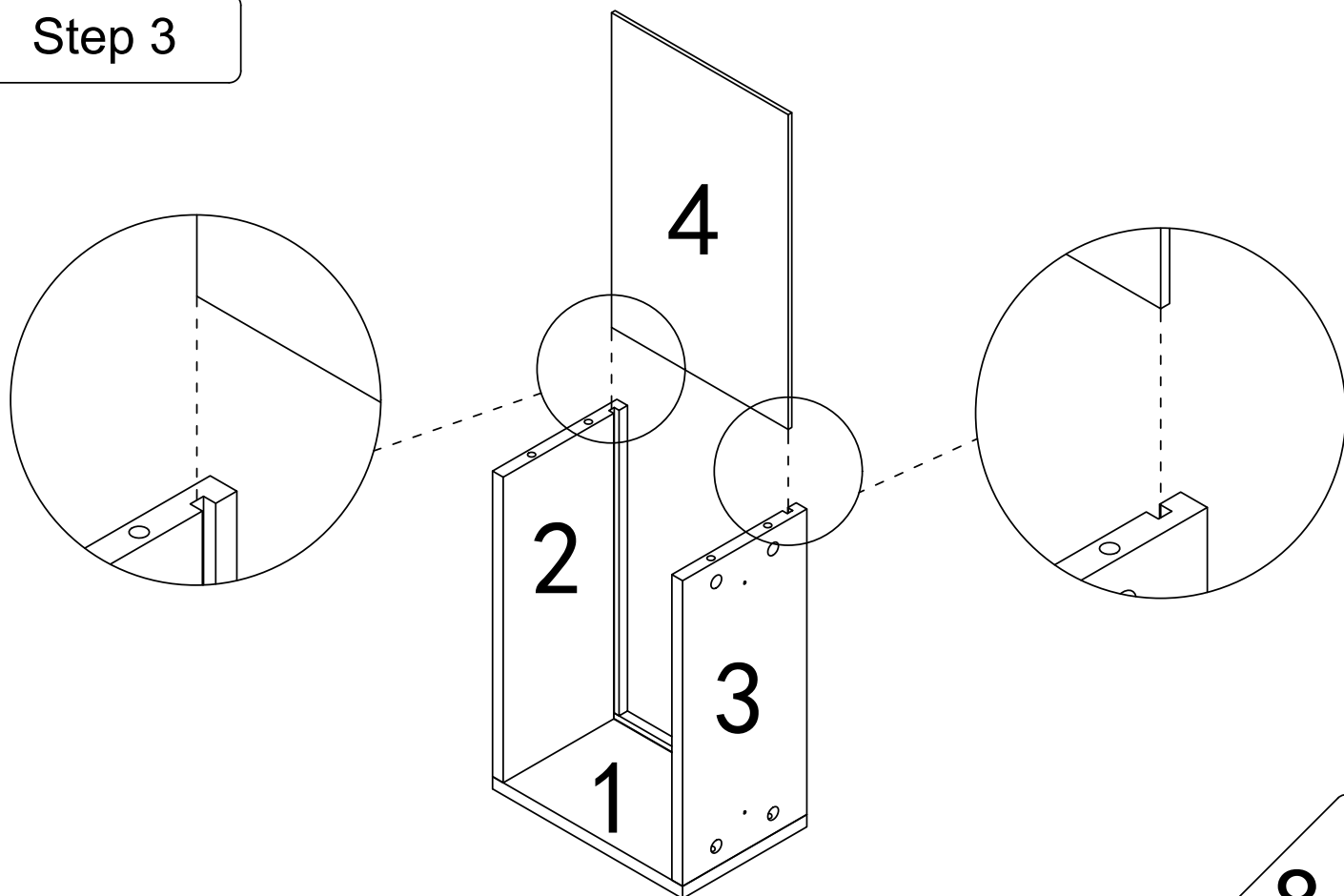
Step 1



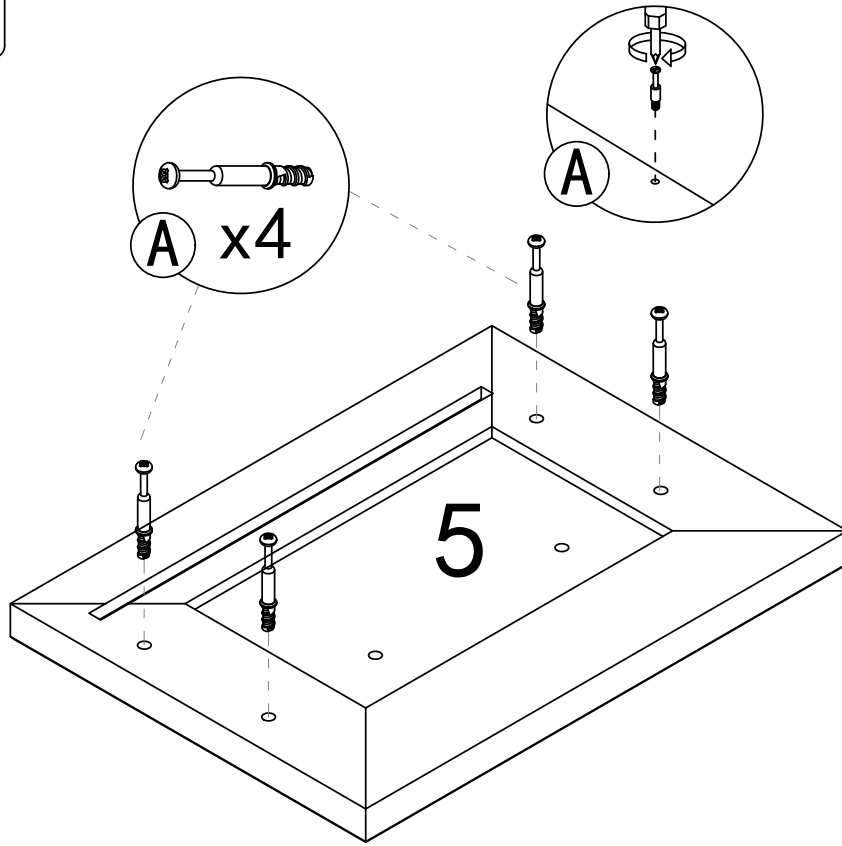
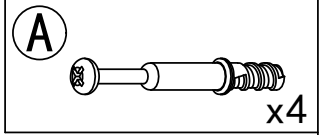
Step 2



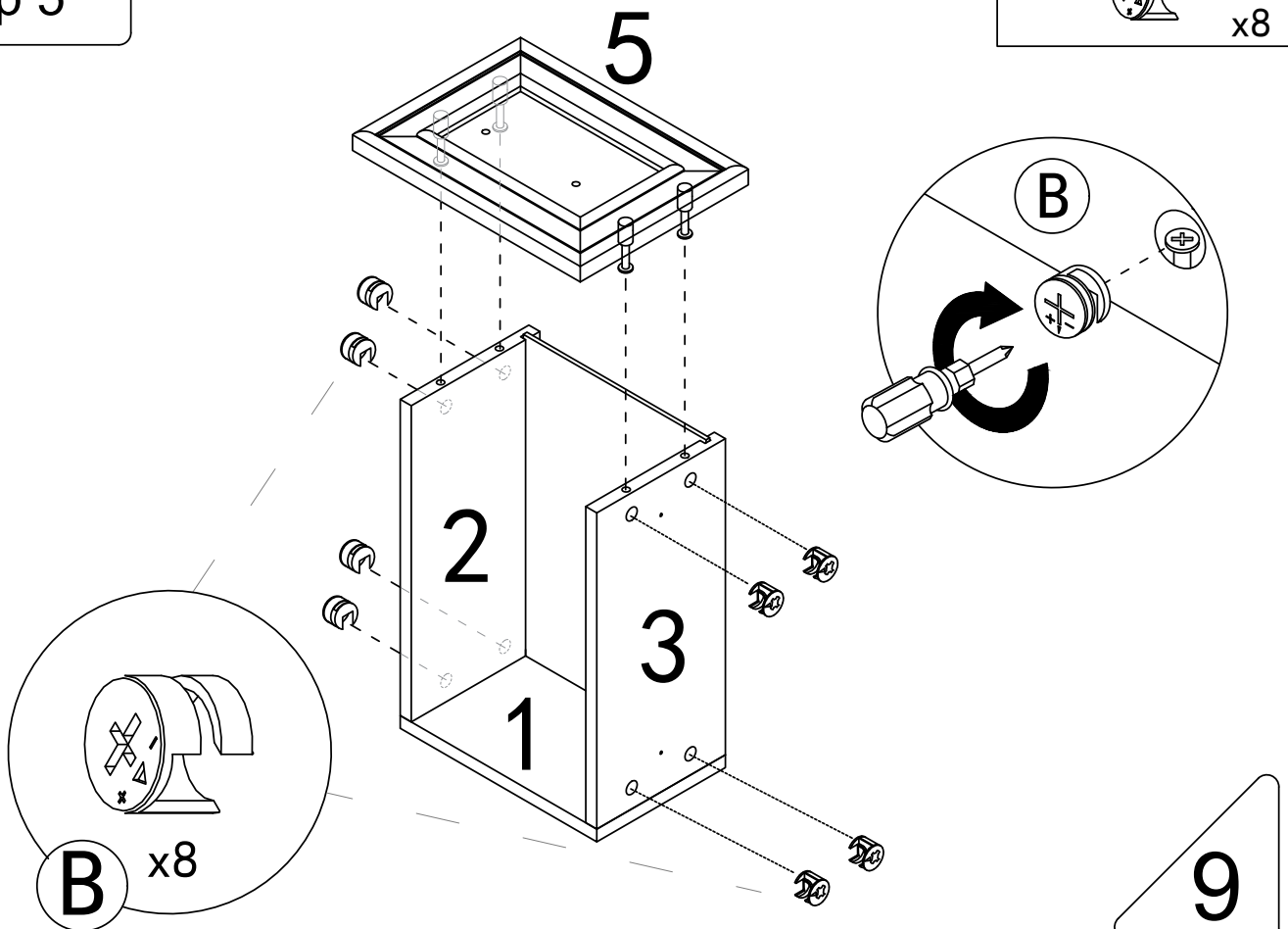
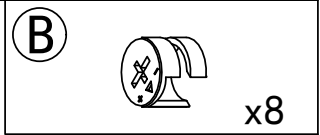
Step 3



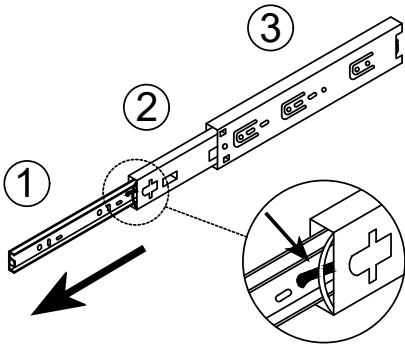
Step 4



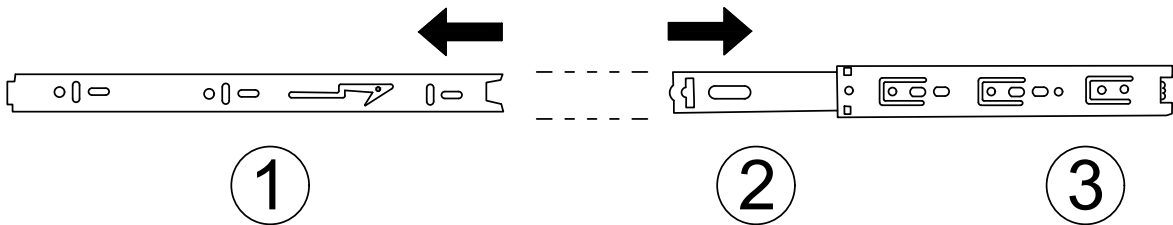
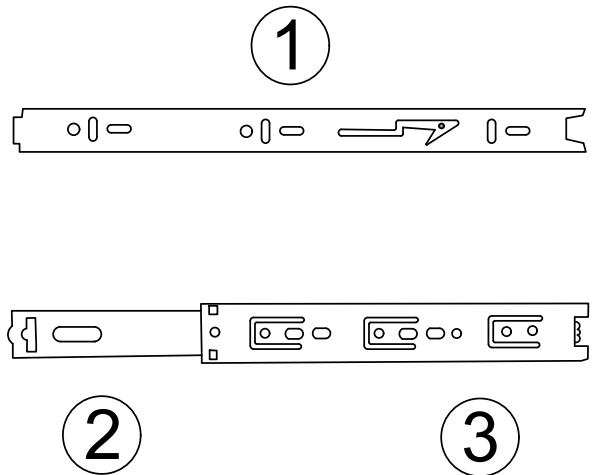
Step 5



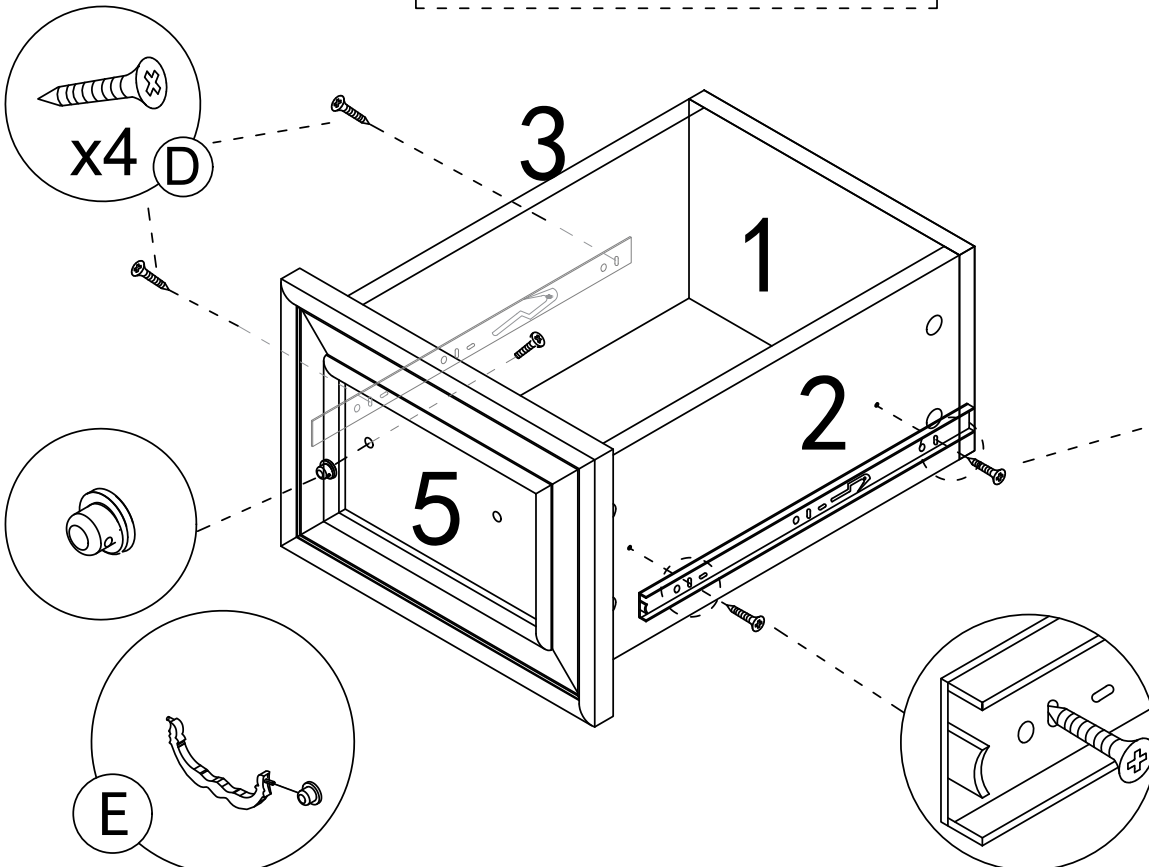
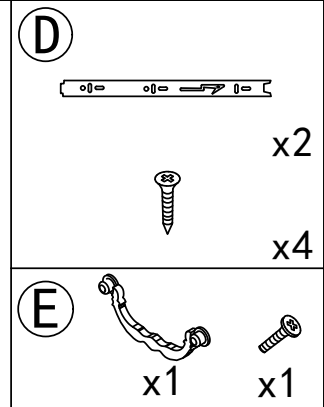
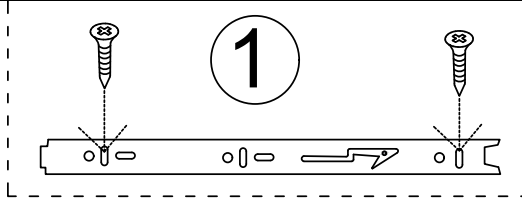
Exploded view of drawer guide rail



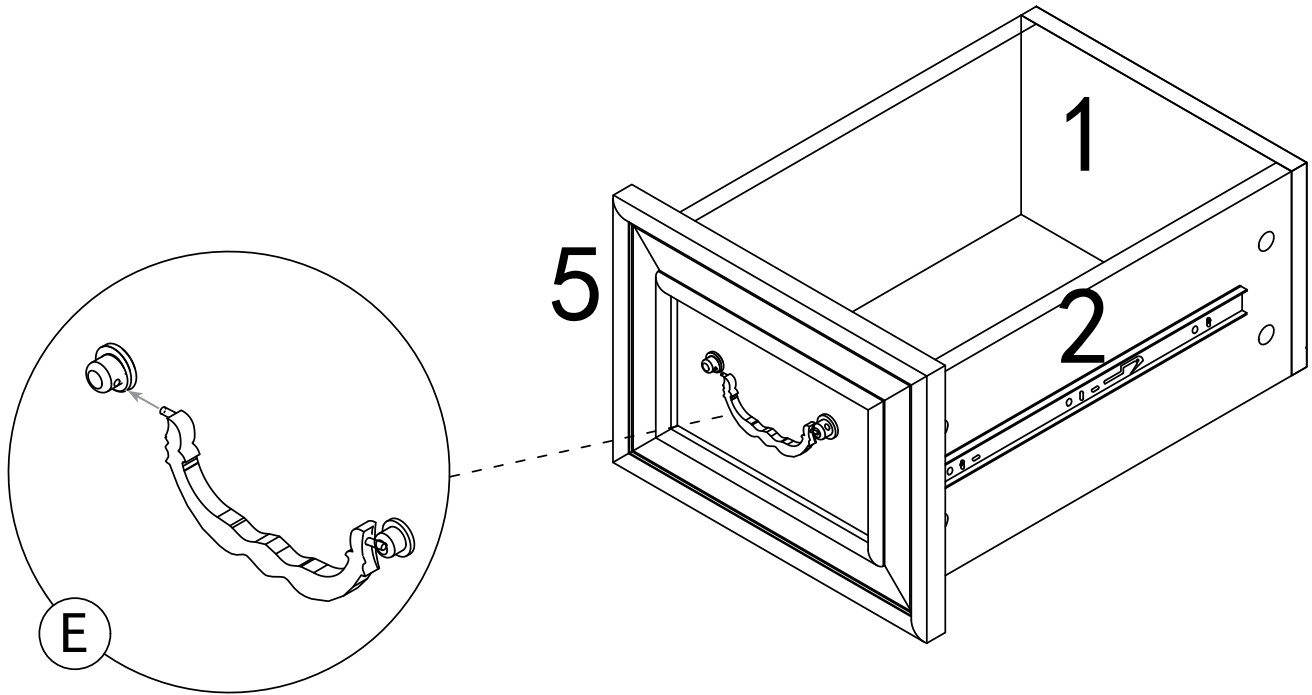
Step 1 : Pull the guide rail apart
 Step 2 : Push the nylon buckle and pull outward ①



Step 6

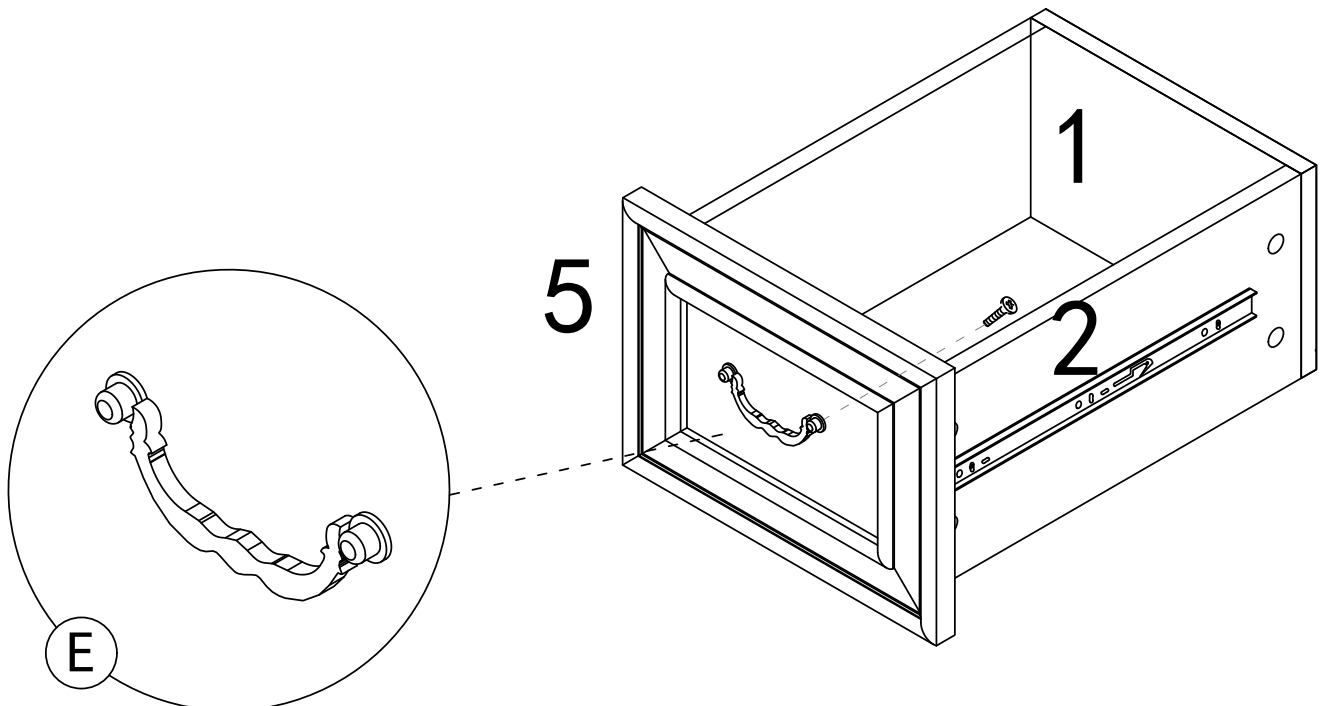


Step 7

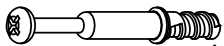







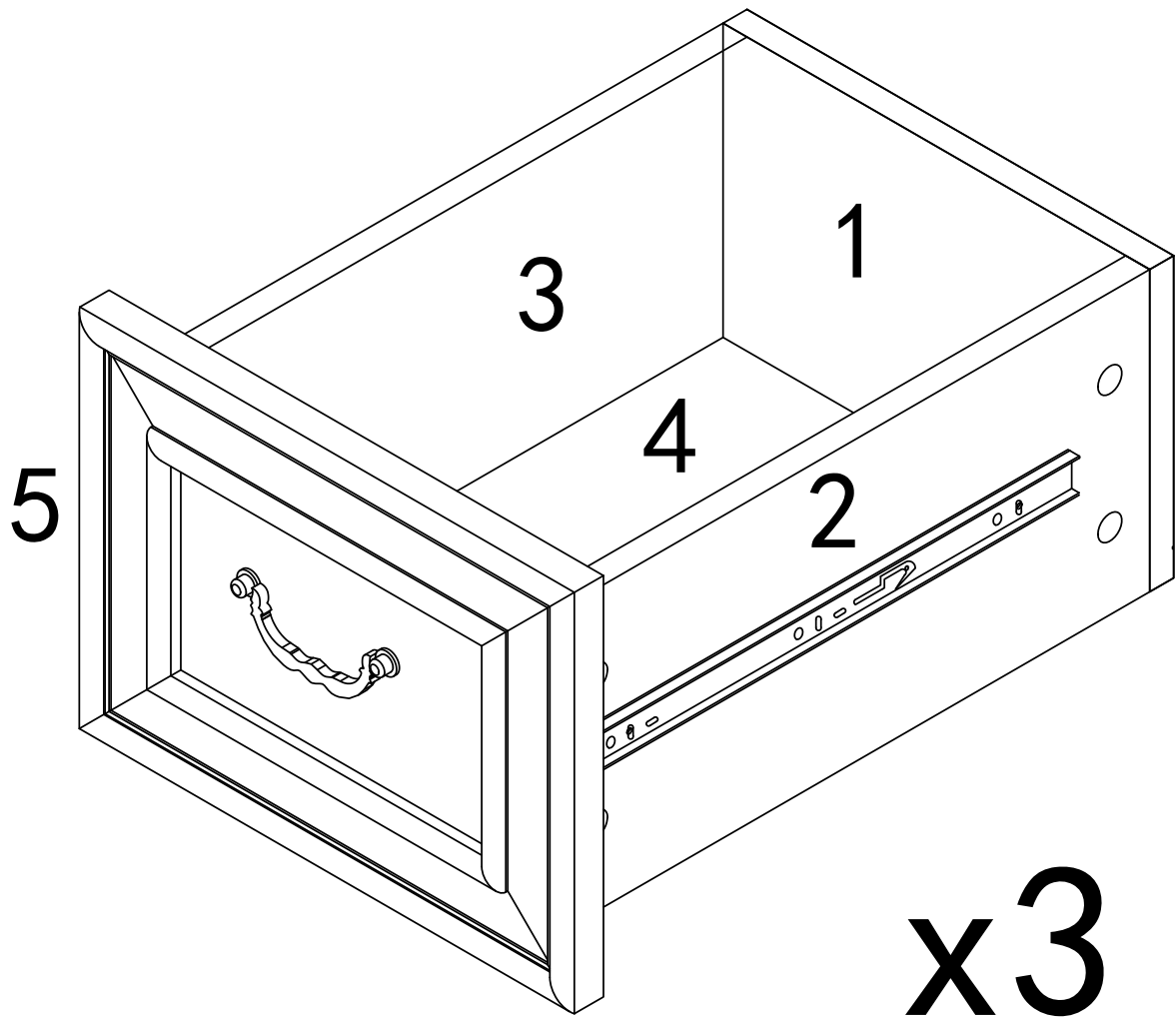
Step 8

E  x1



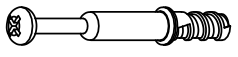
Step 9

- (A)  x16
- (B)  x16
- (D)  x4
 x8
- (E)  x2  x4



The installation method for the other drawers is the same

A



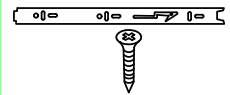
16pcs

B



16pcs

D



4pcs

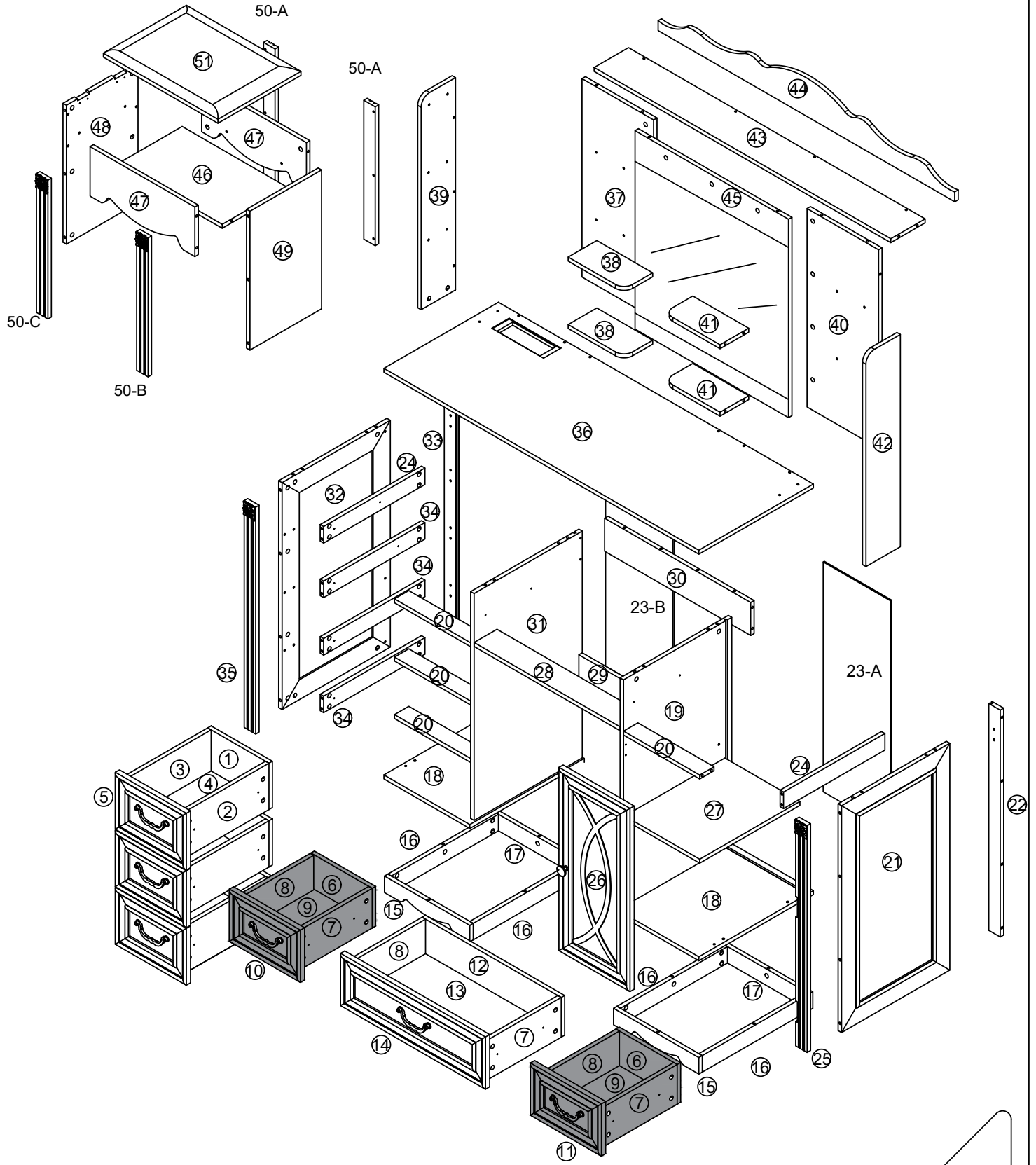
8pcs

E

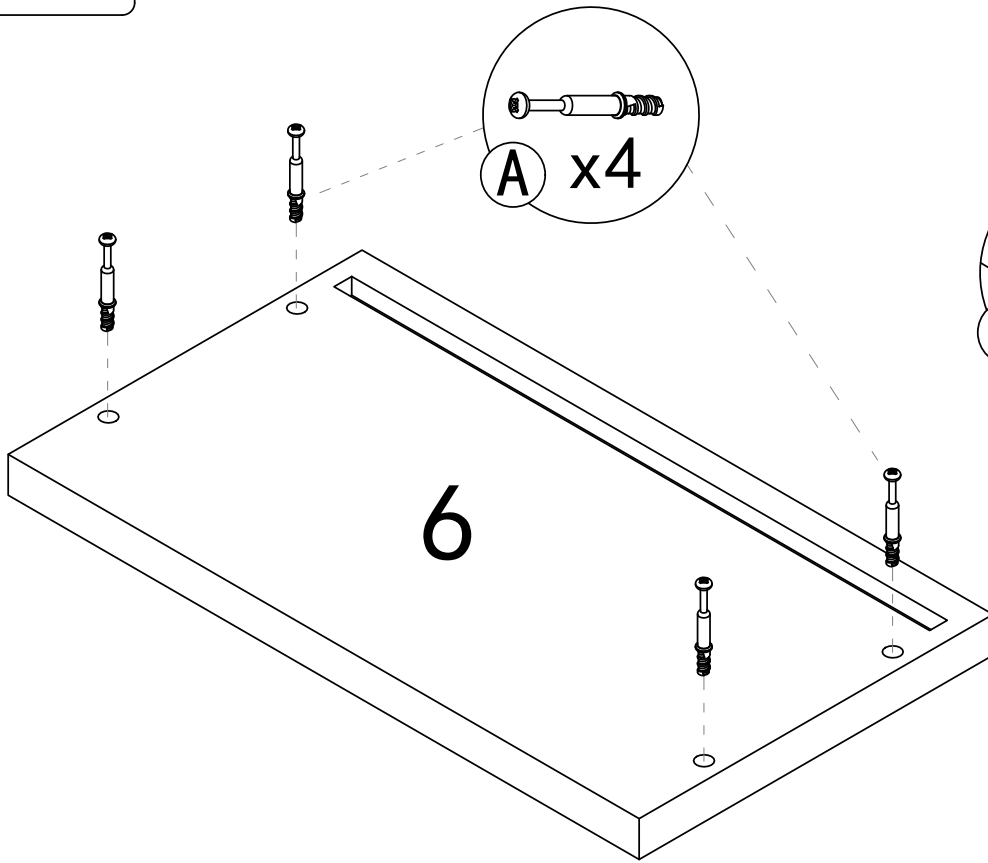
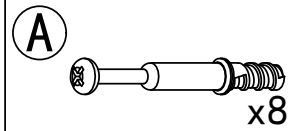


2pcs

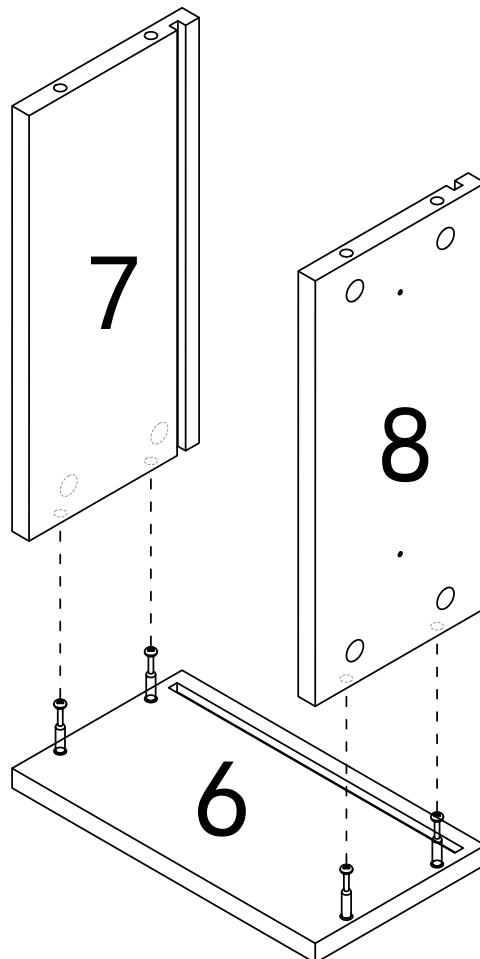
4pcs



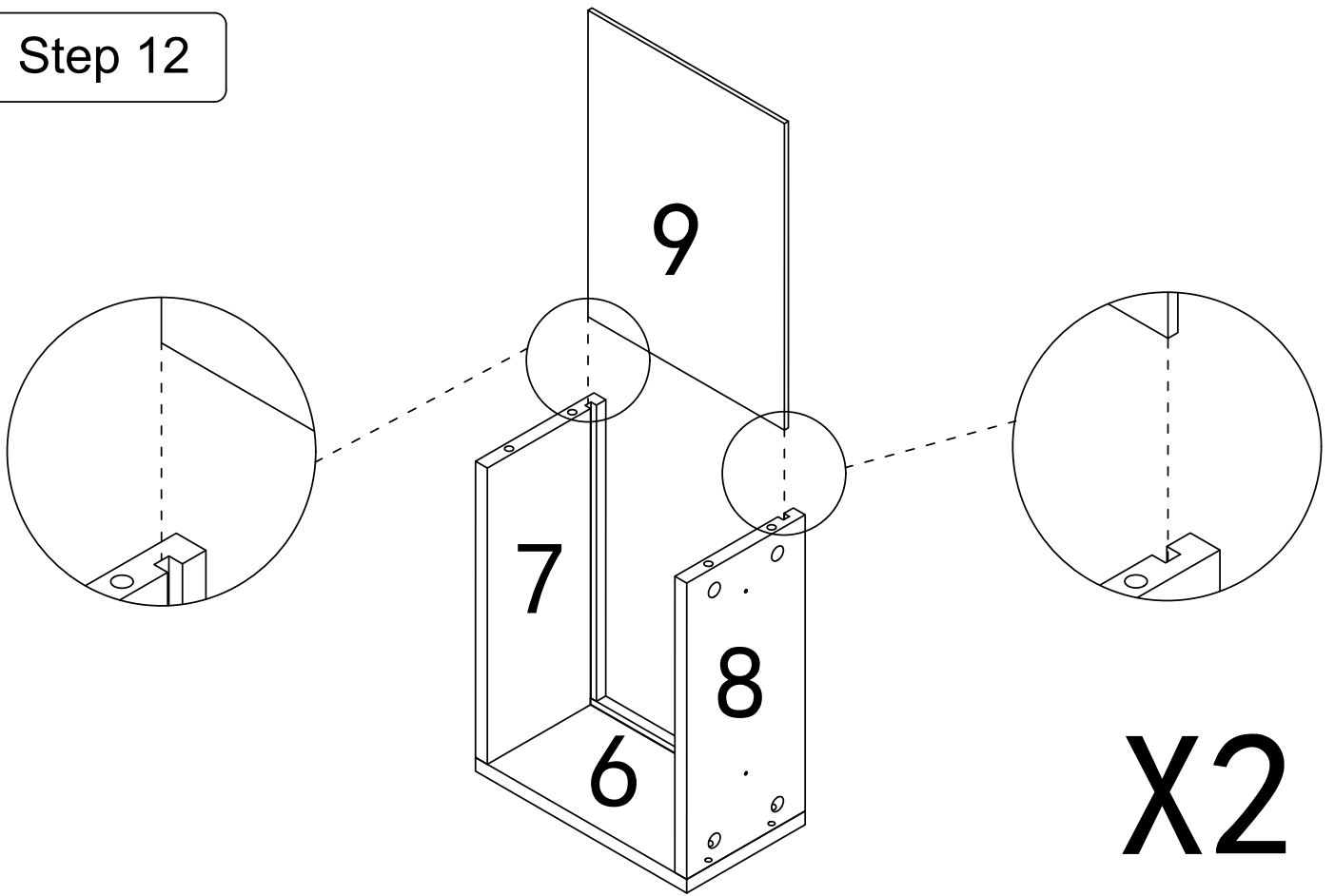
Step 10



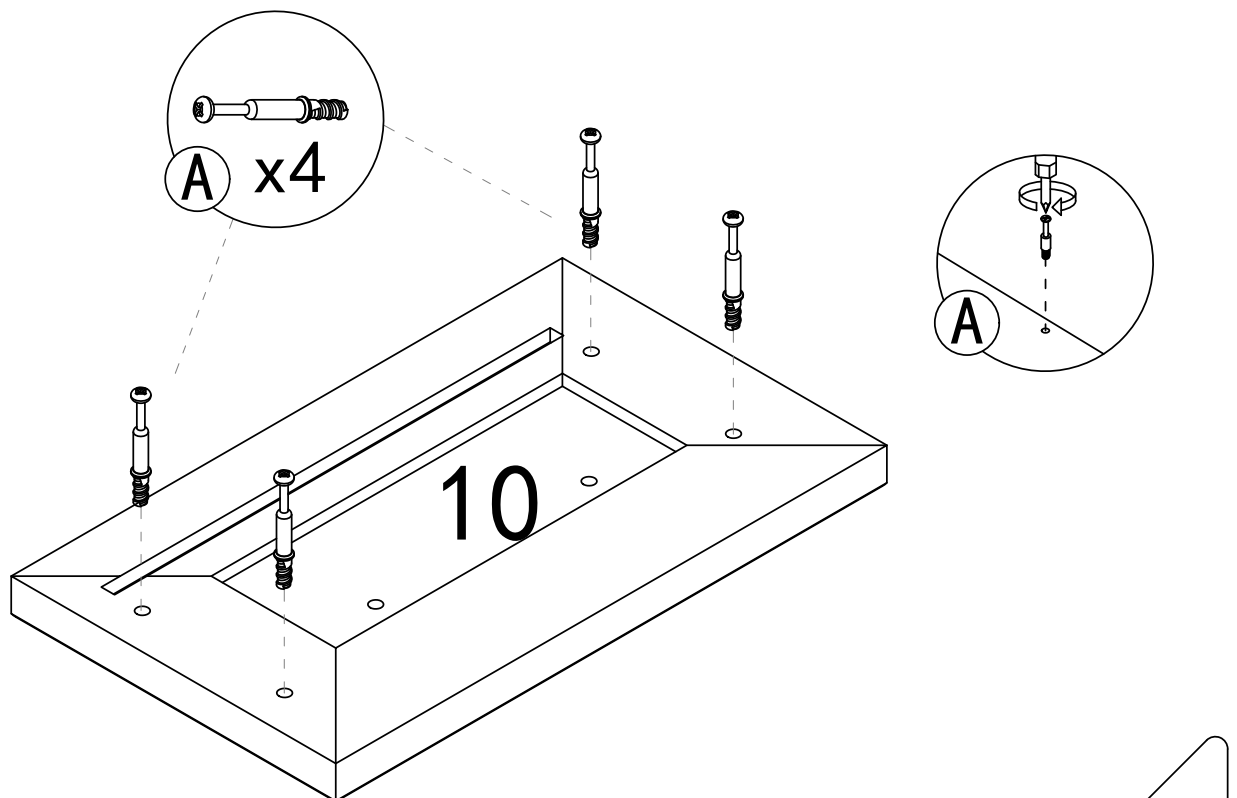
Step 11




Step 12

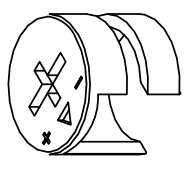


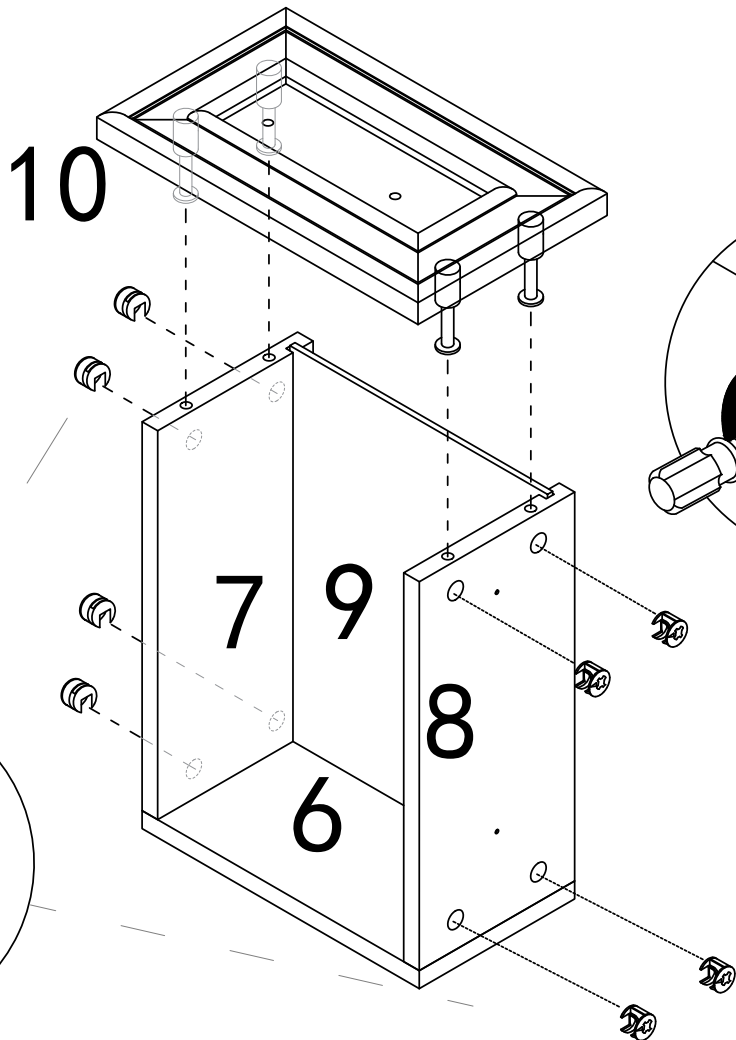
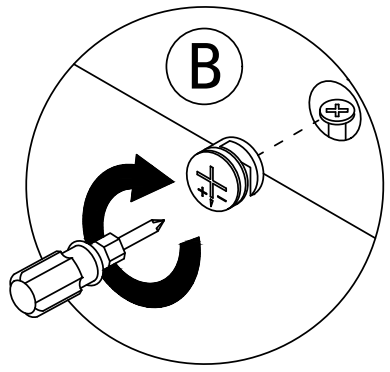
Step 13




Step 14

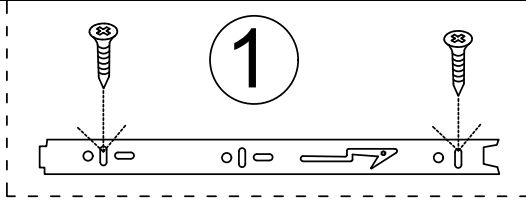
B  x8

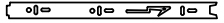



B x8 

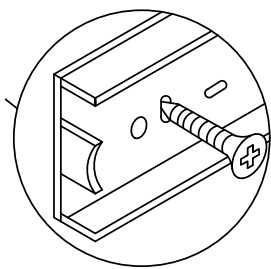
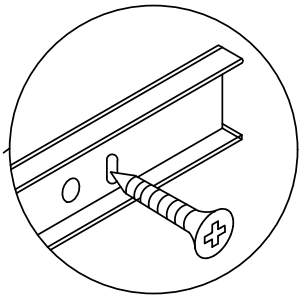
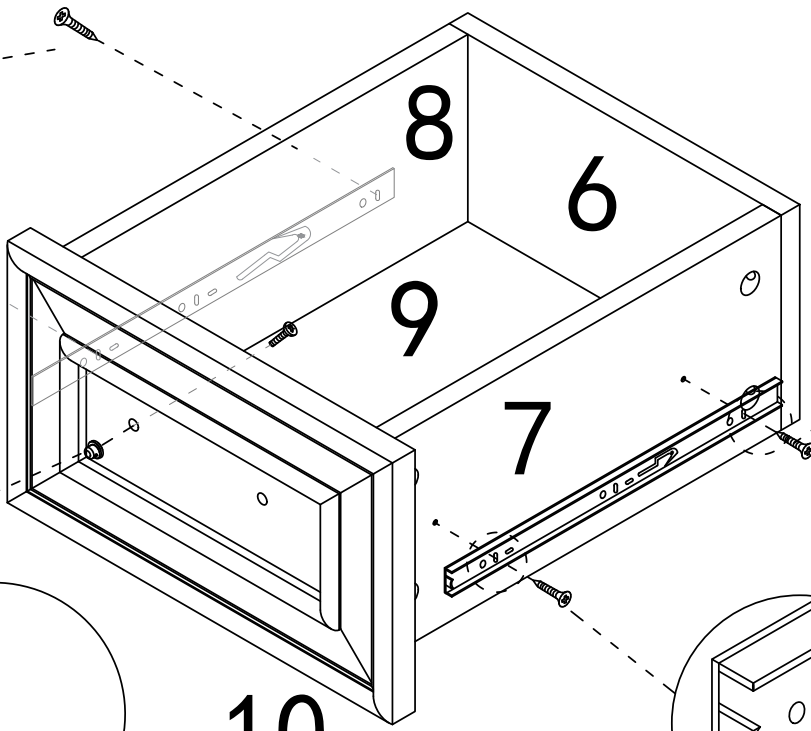
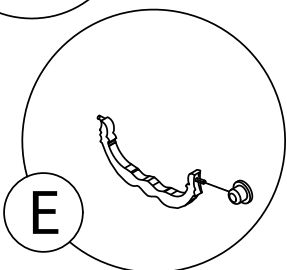
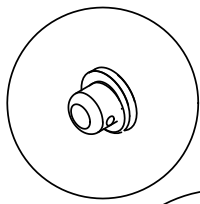


Step 15

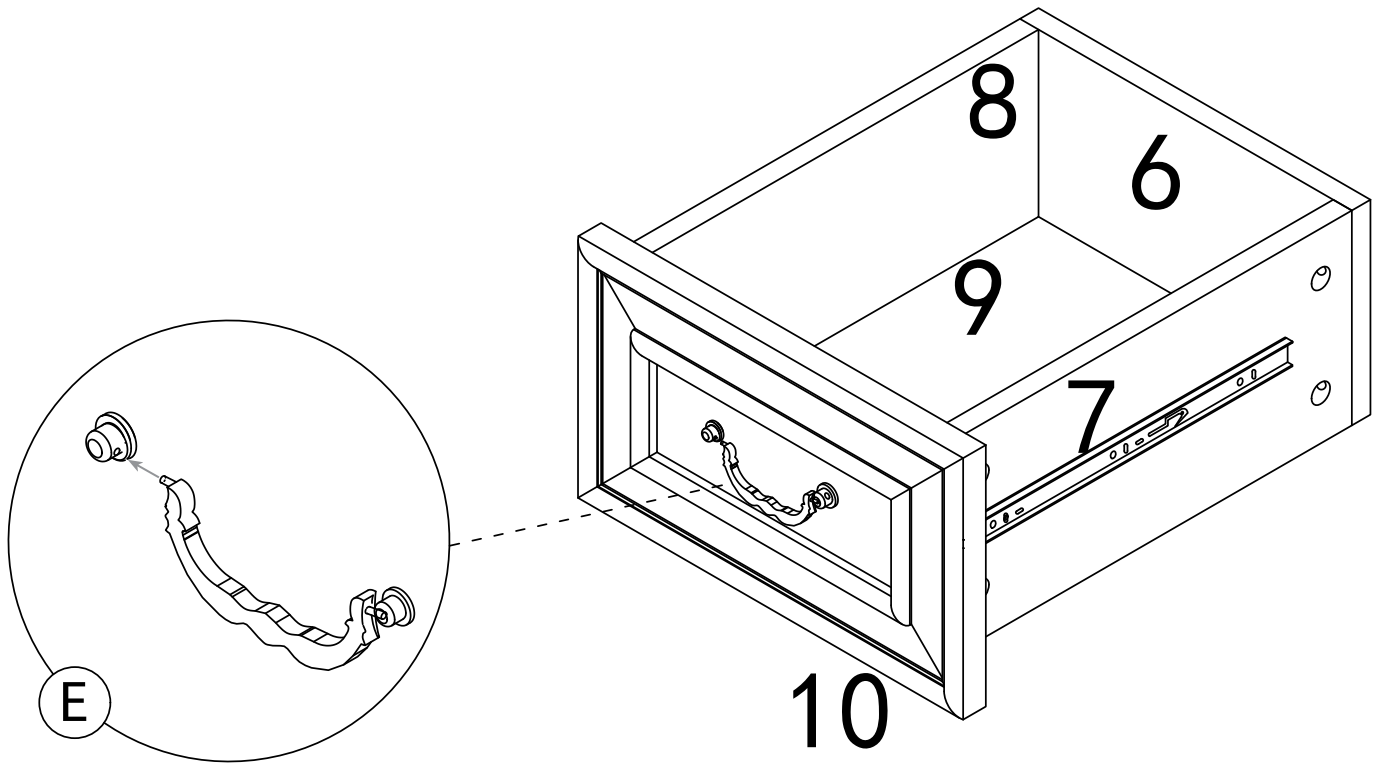
D x4 



D  x2
 x4
E  x1  x1

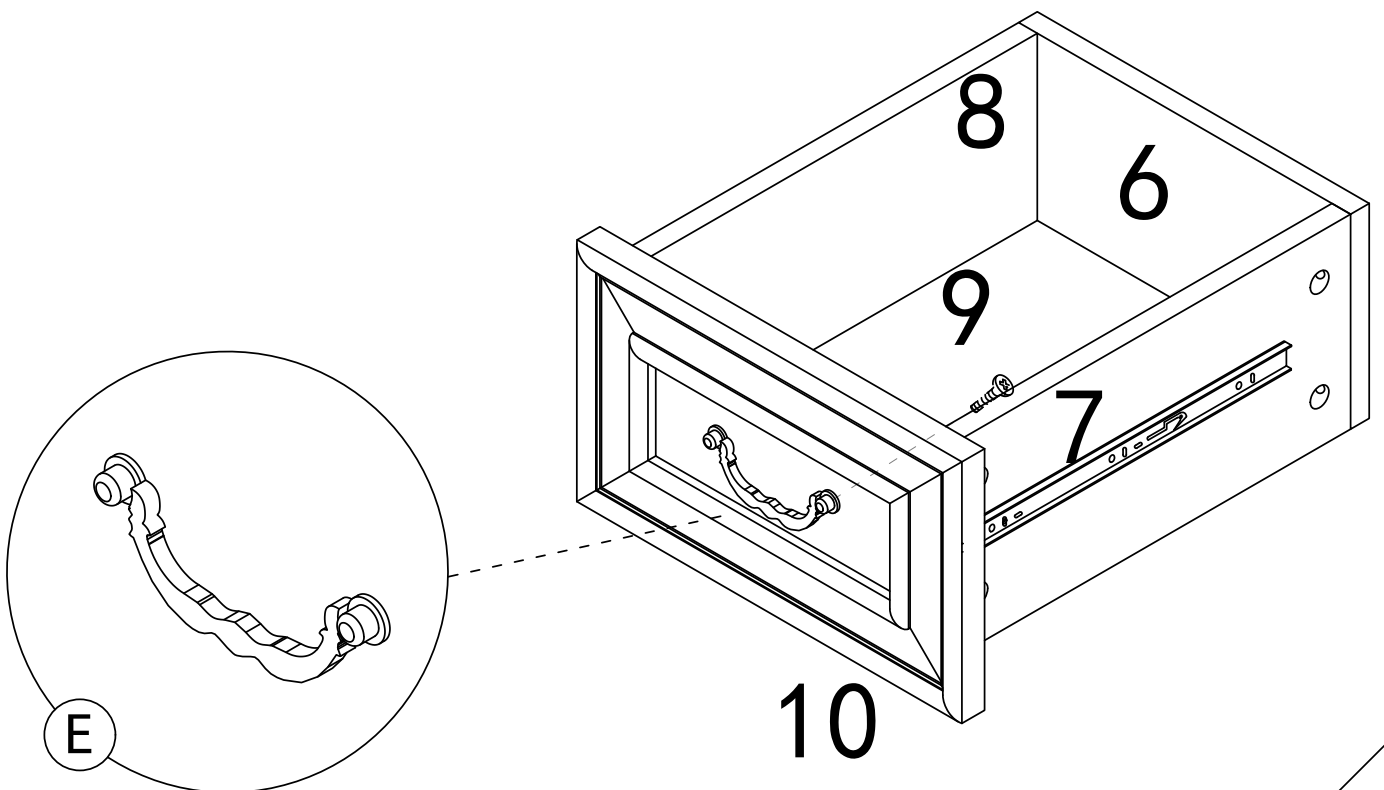


Step 16

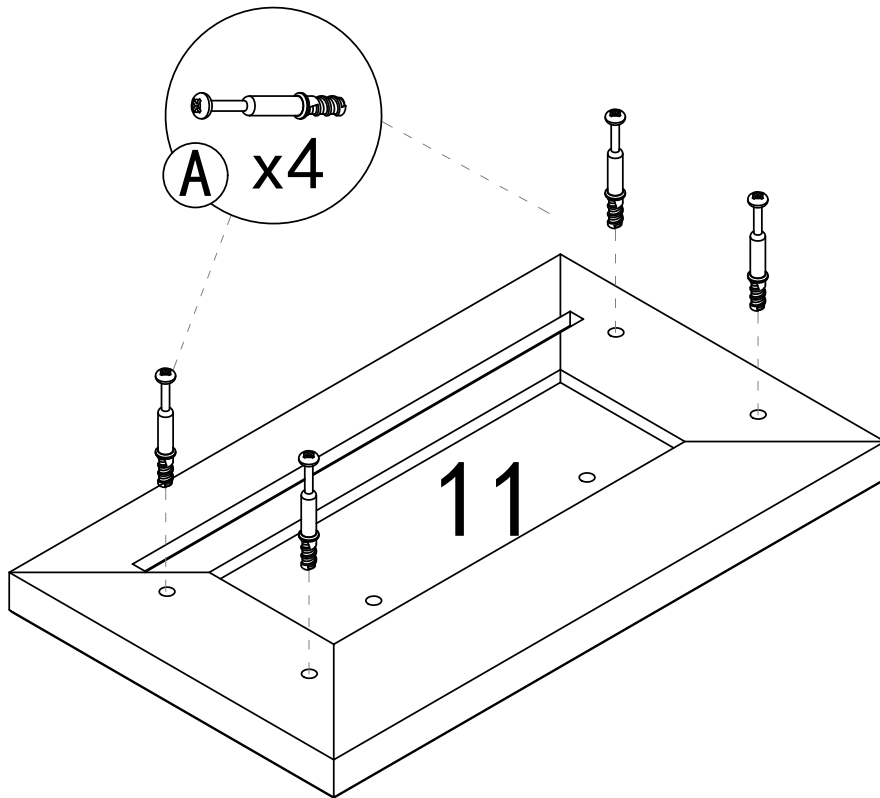
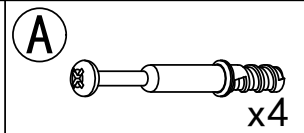


Step 17

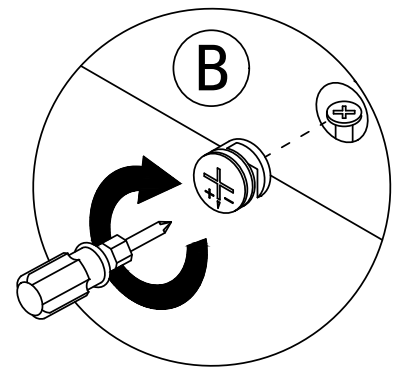
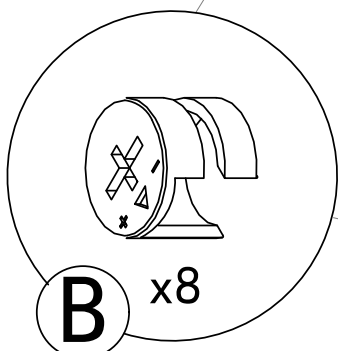
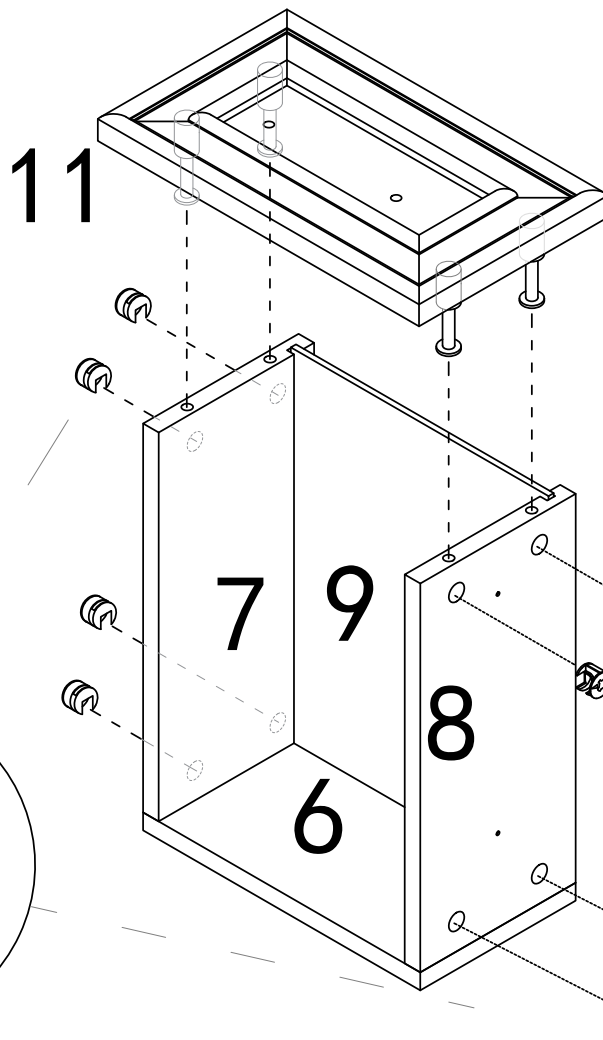
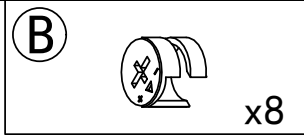
E  x1



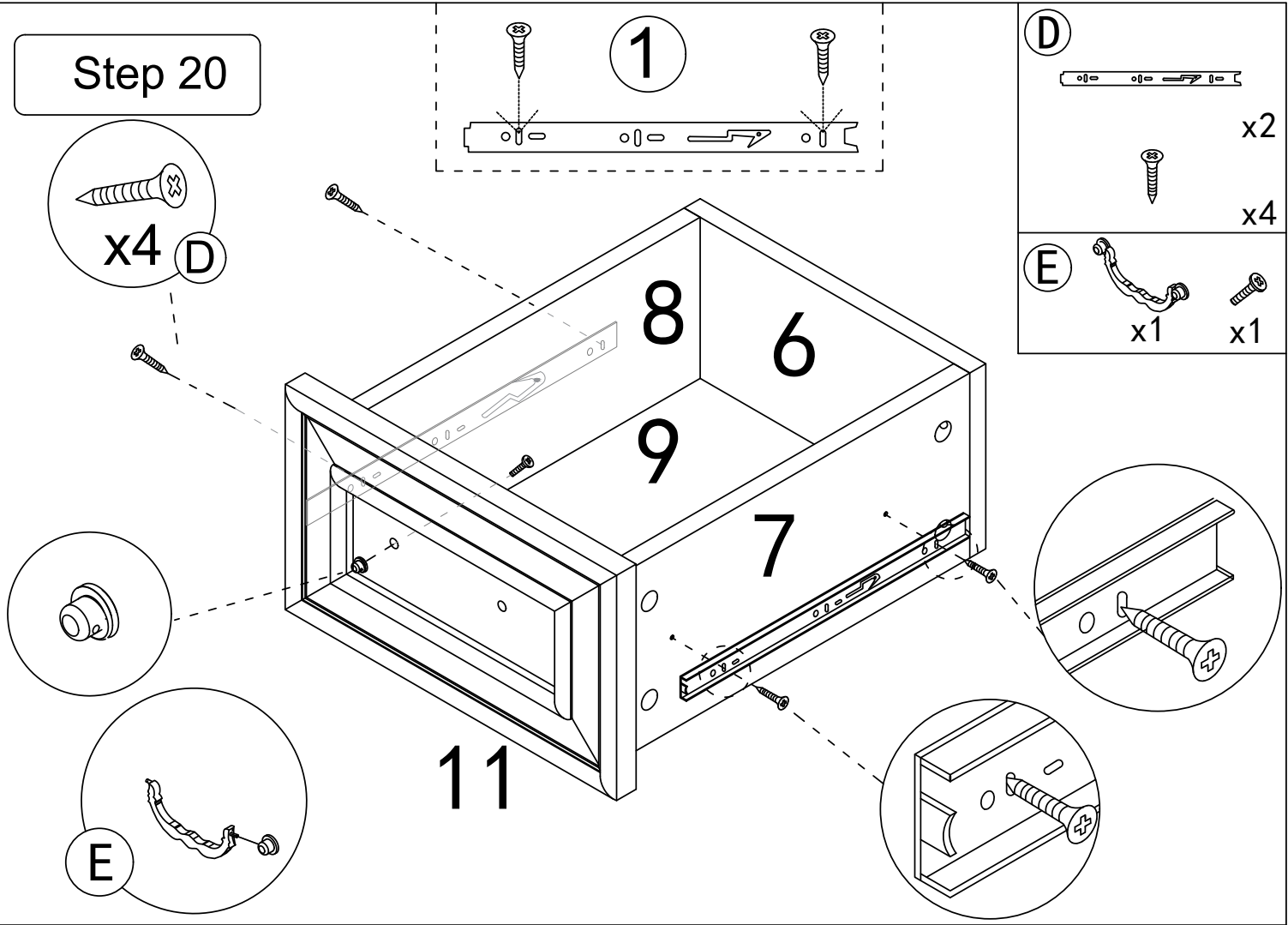
Step 18



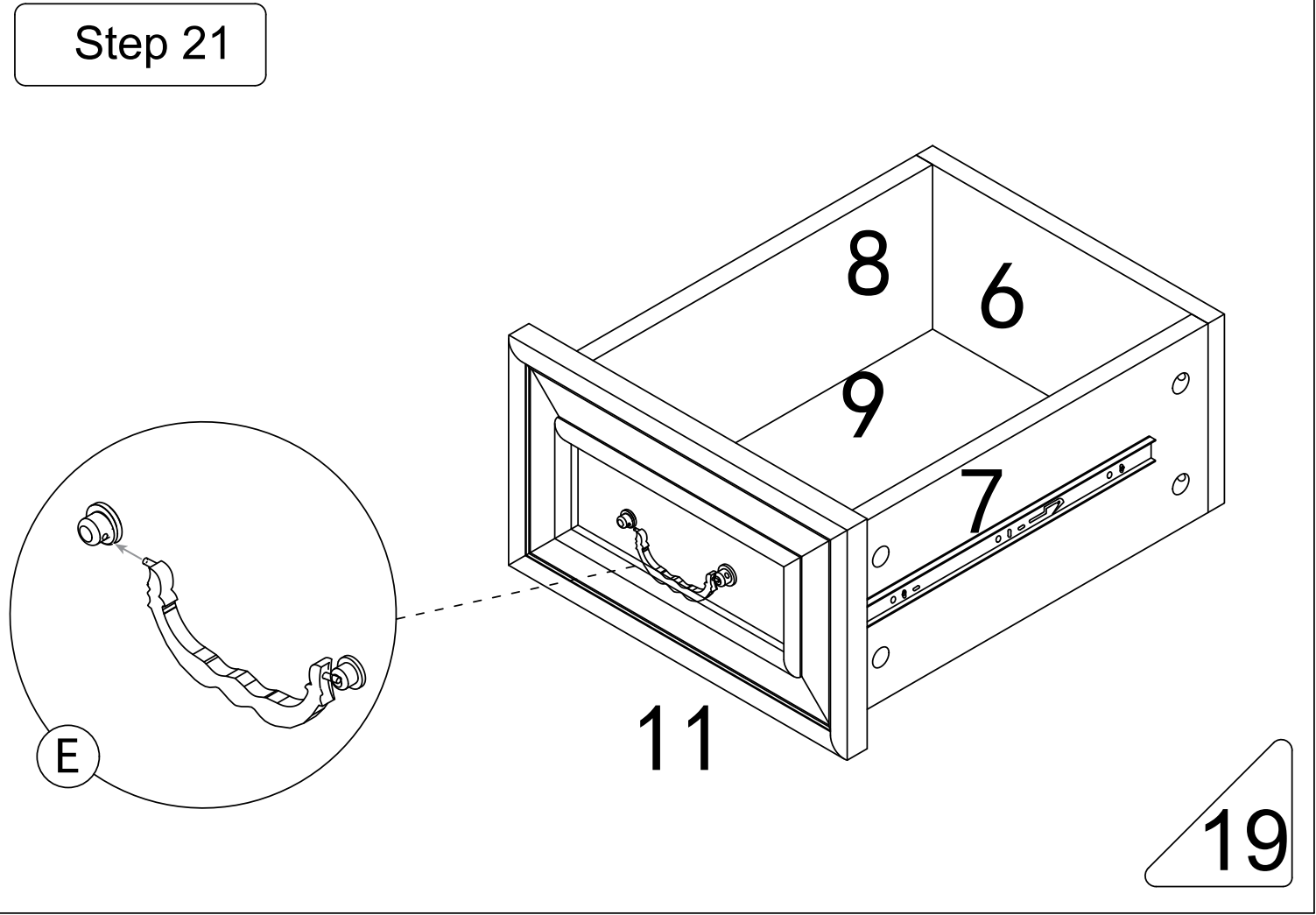
Step 19



Step 20



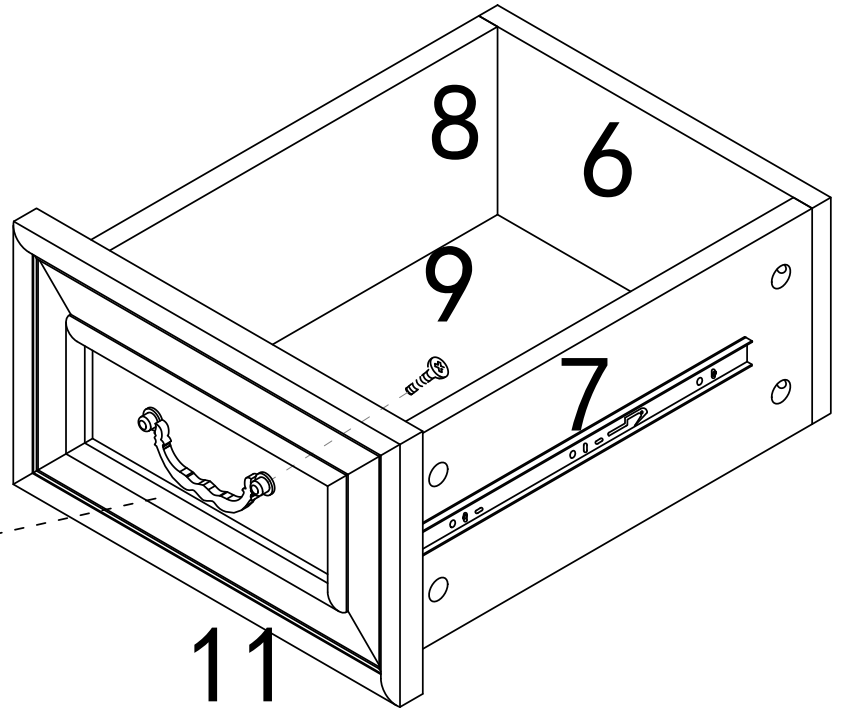
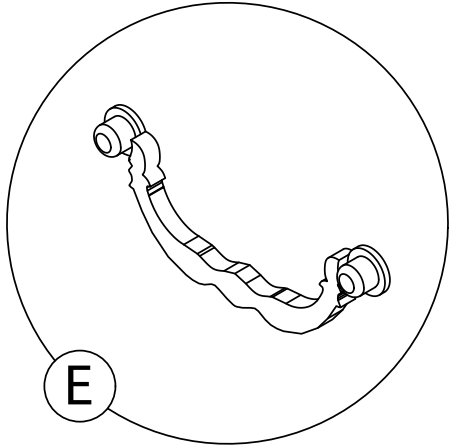
Step 21



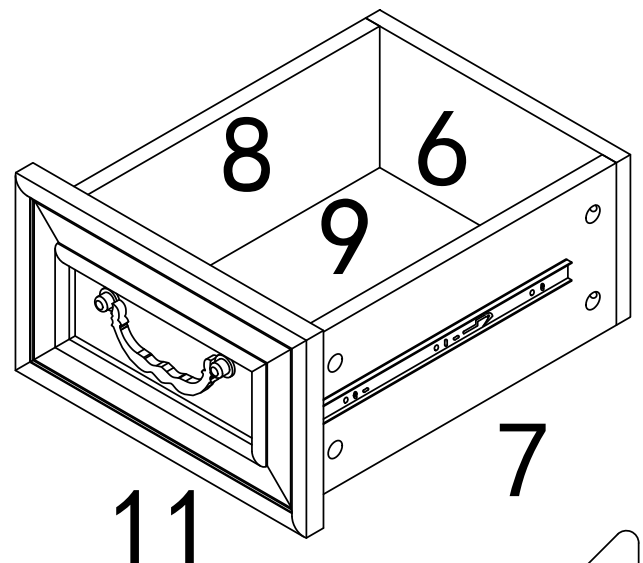
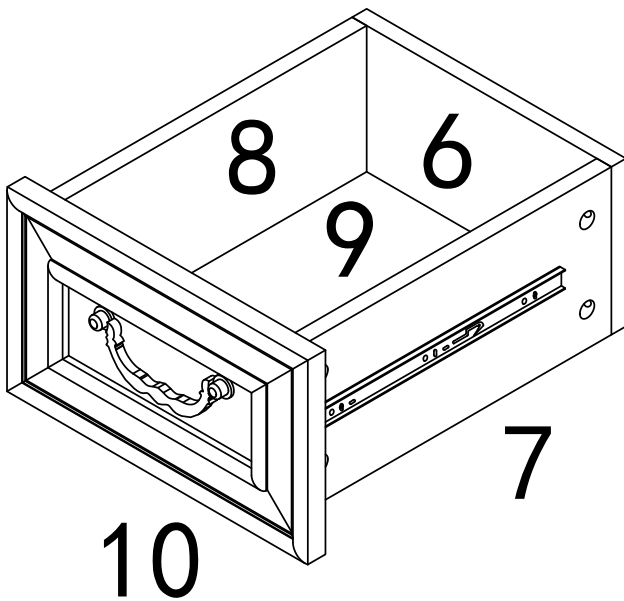
Step 22

E

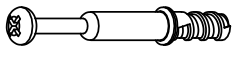
x1



Note



A



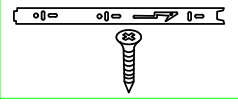
8pcs

B



8pcs

D



2pcs

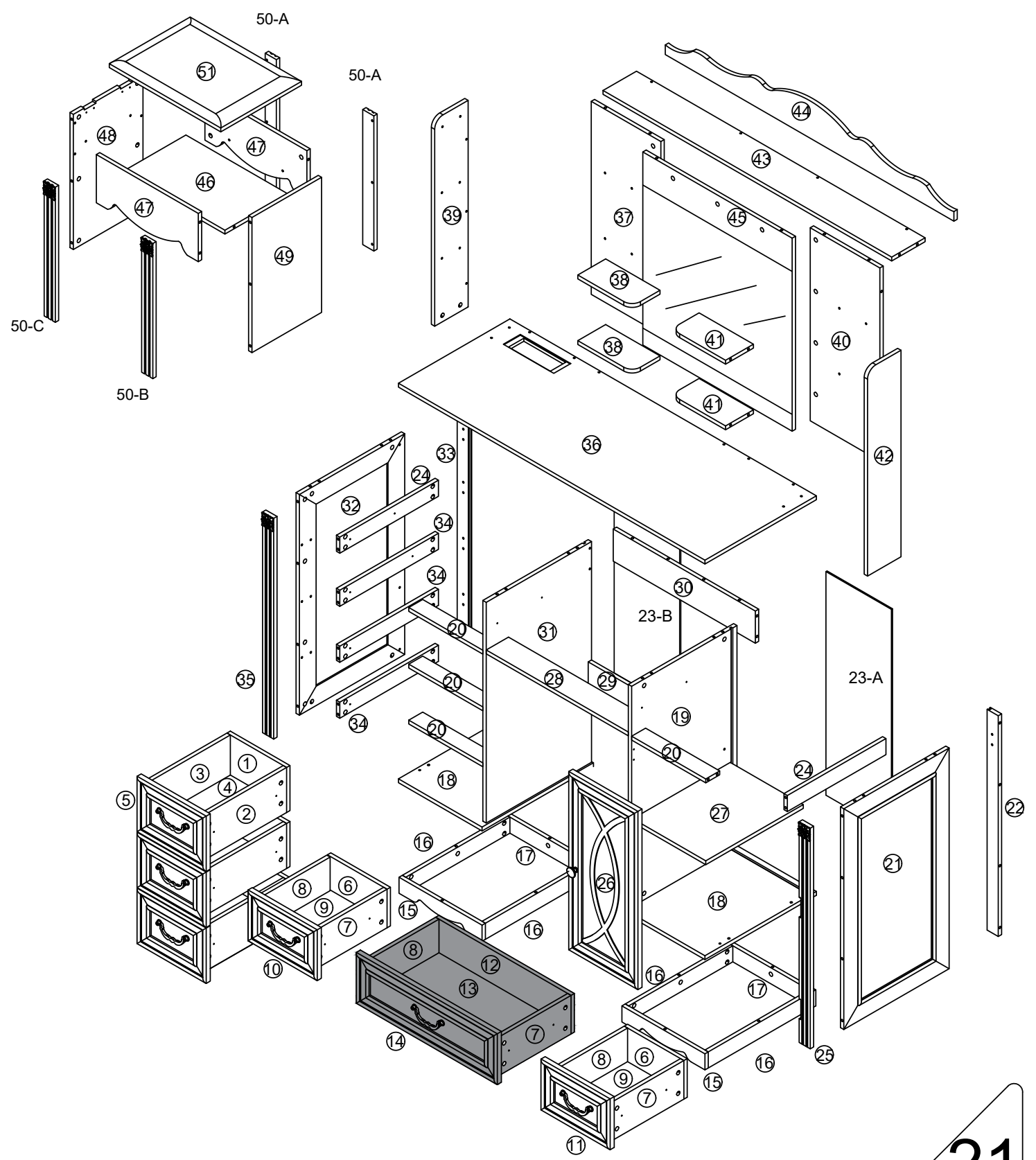
4pcs

E

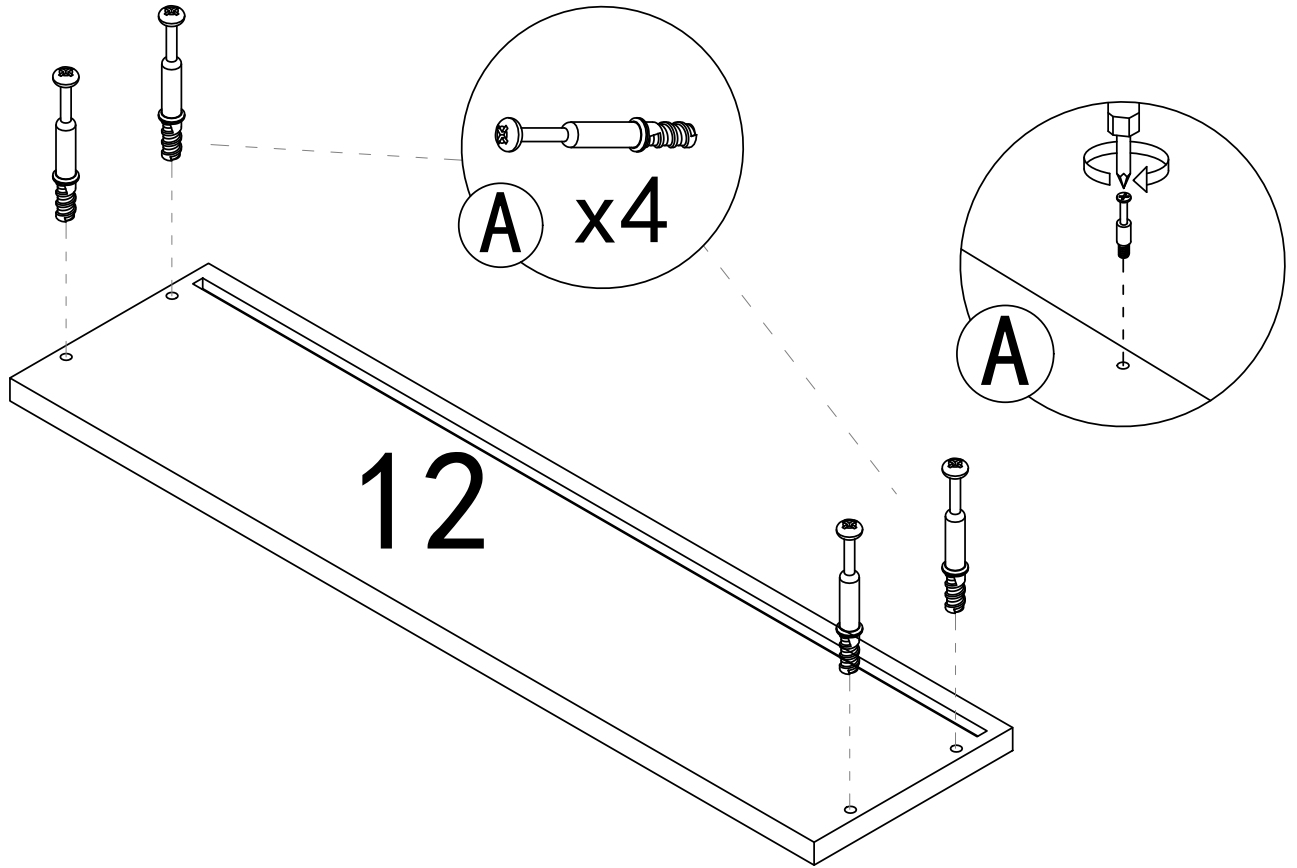
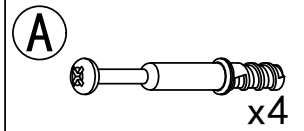


1pcs

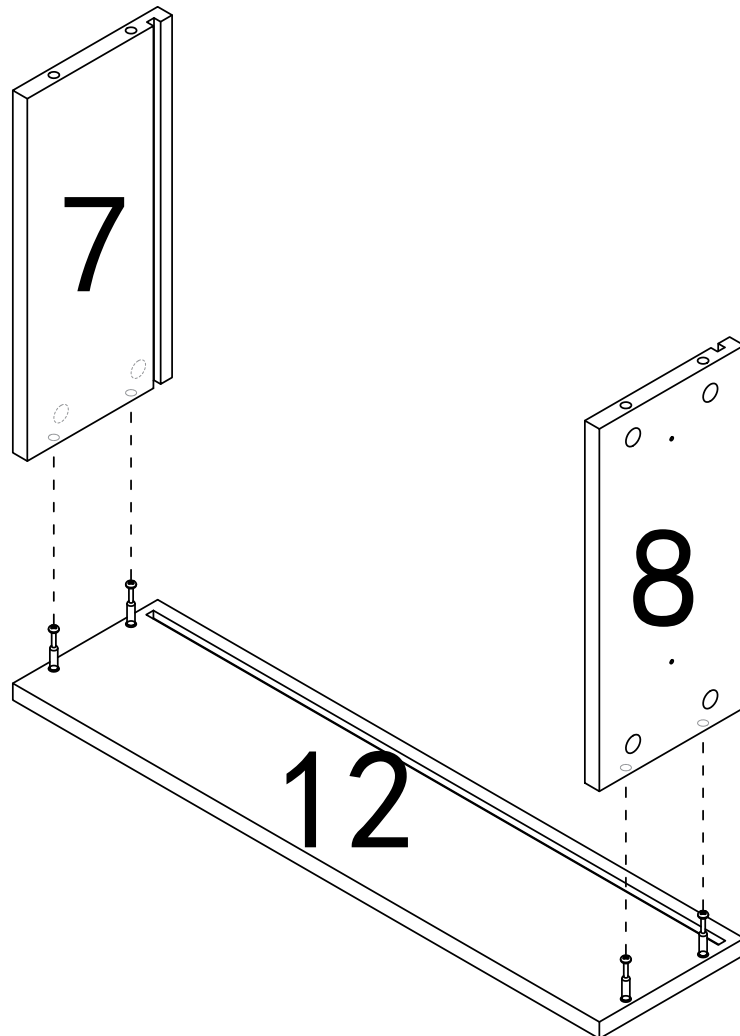
2pcs



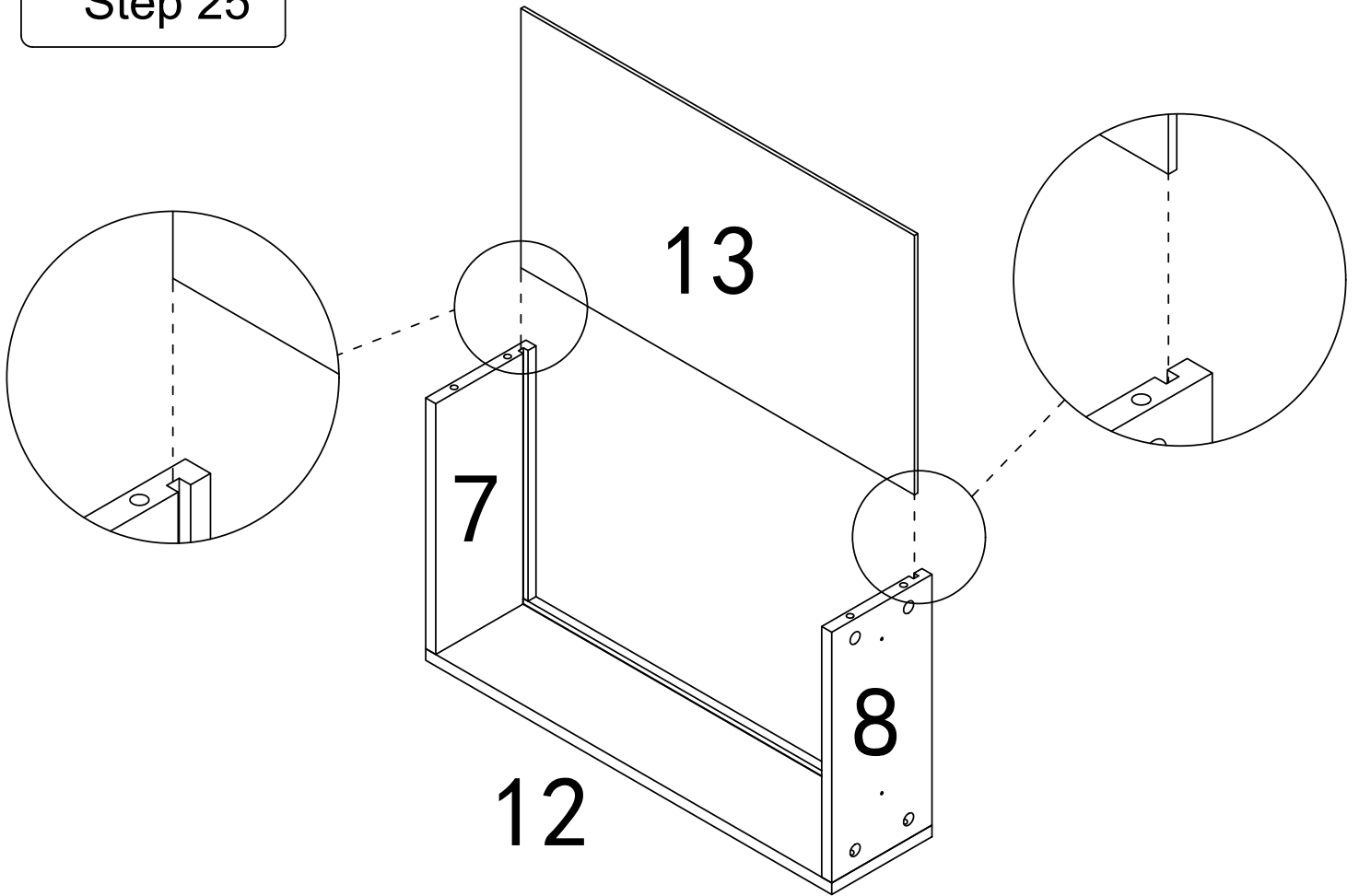
Step 23



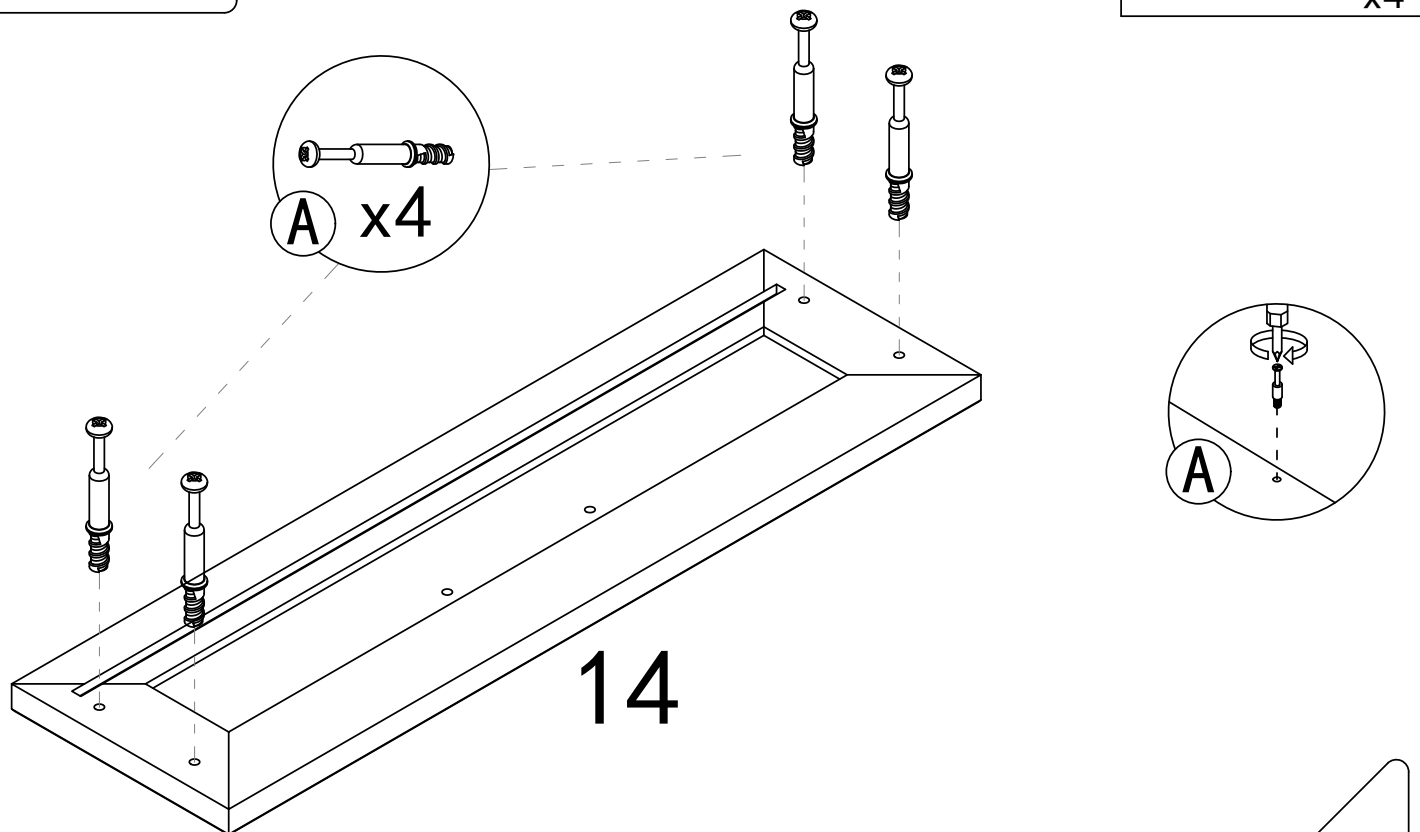
Step 24




Step 25



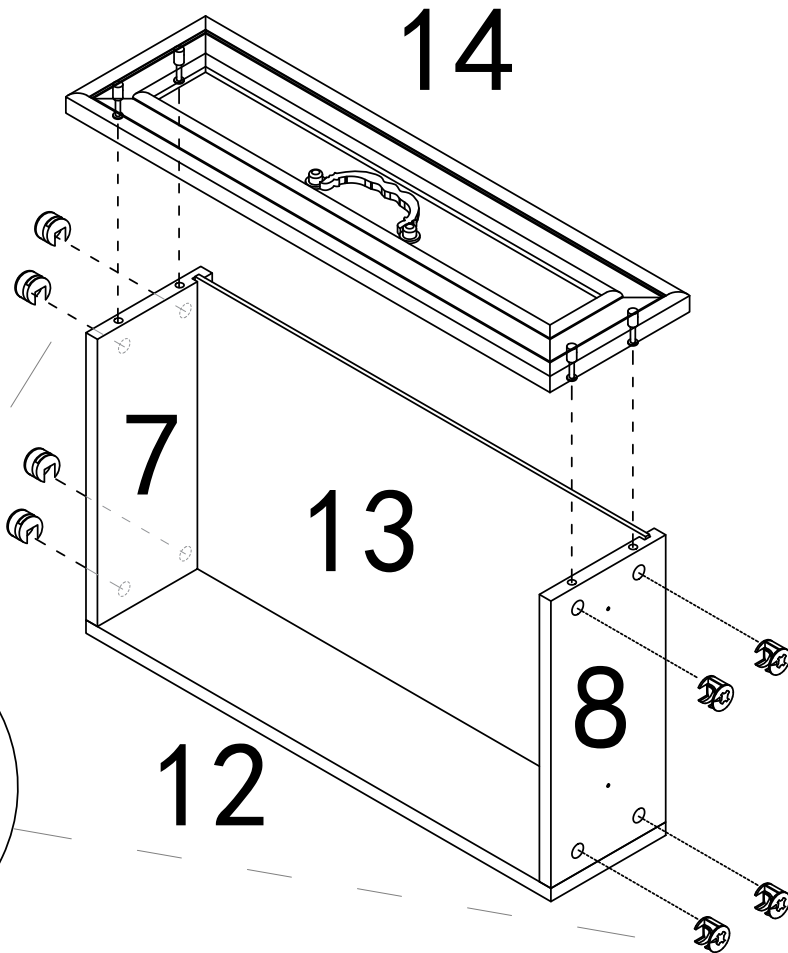
Step 26



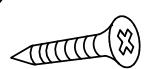
Step 27

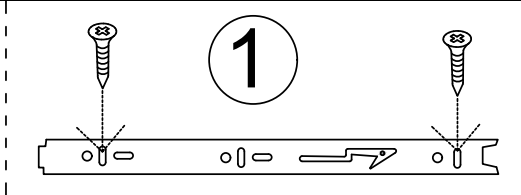
B  x8

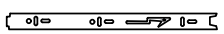

B x8





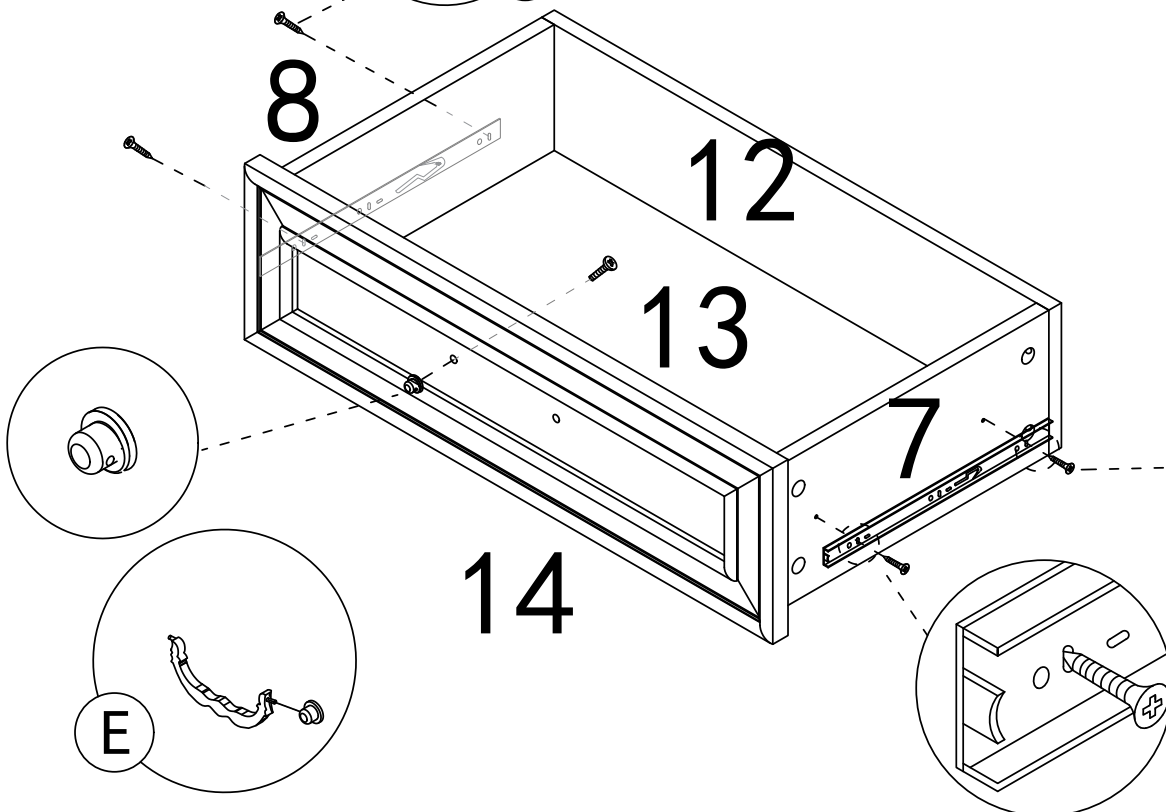
Step 28

 x4 **D**

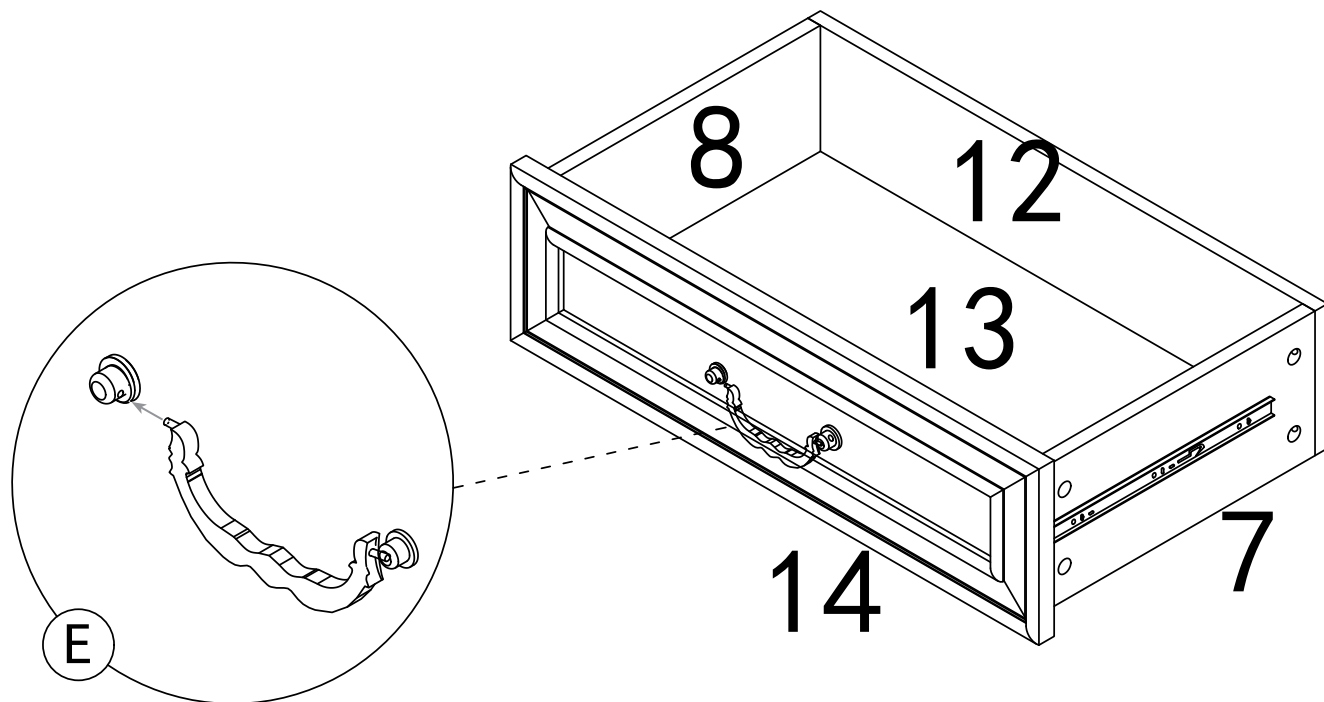


D  x2
 x4

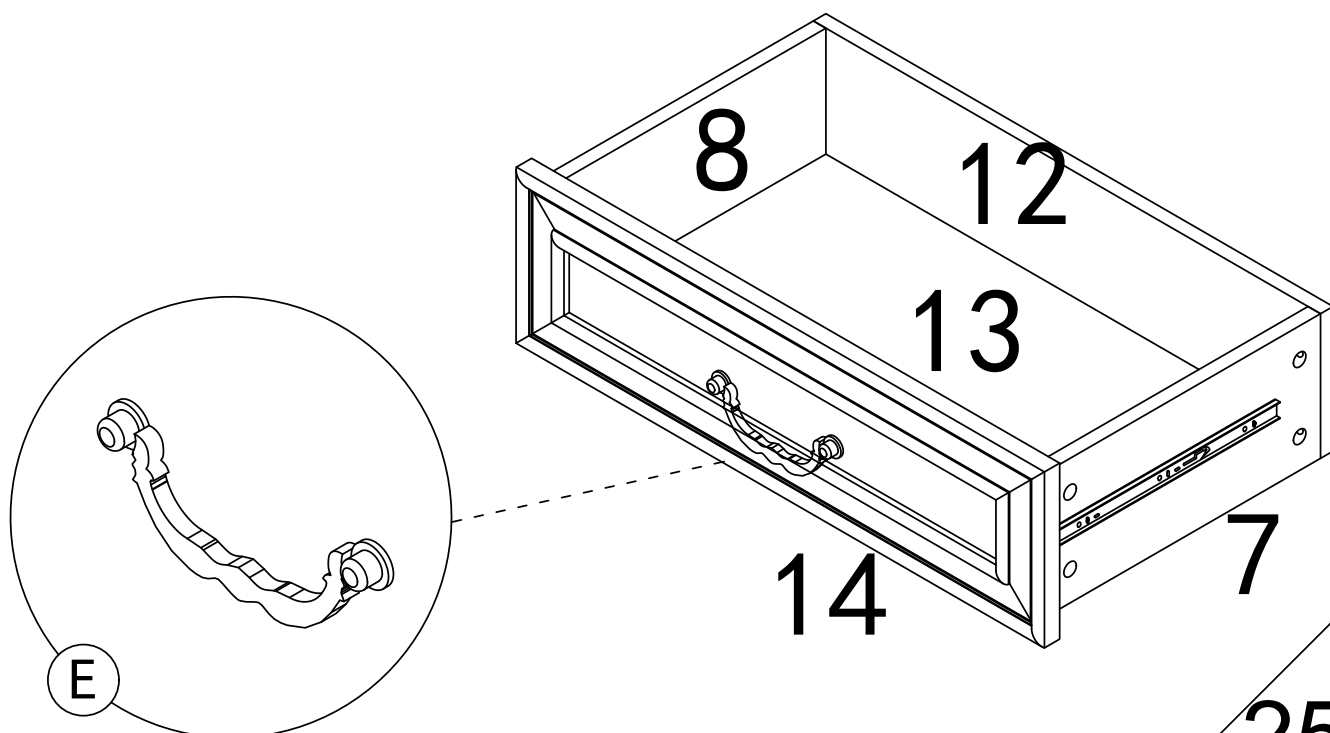
E  x1  x1

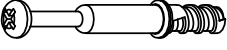

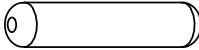


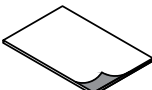
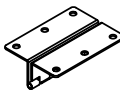

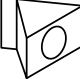





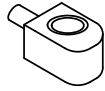
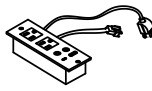

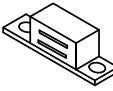



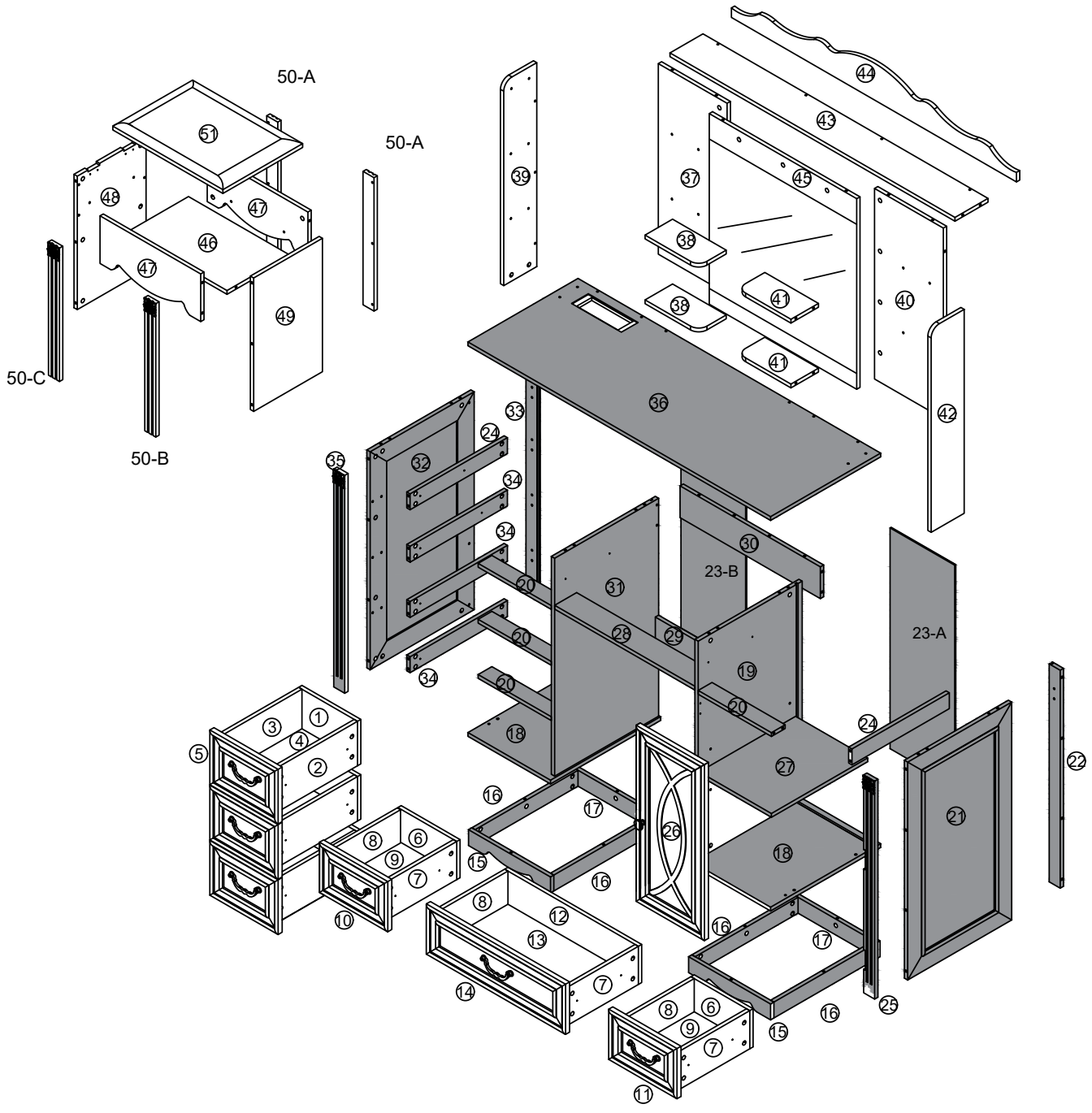
Step 29



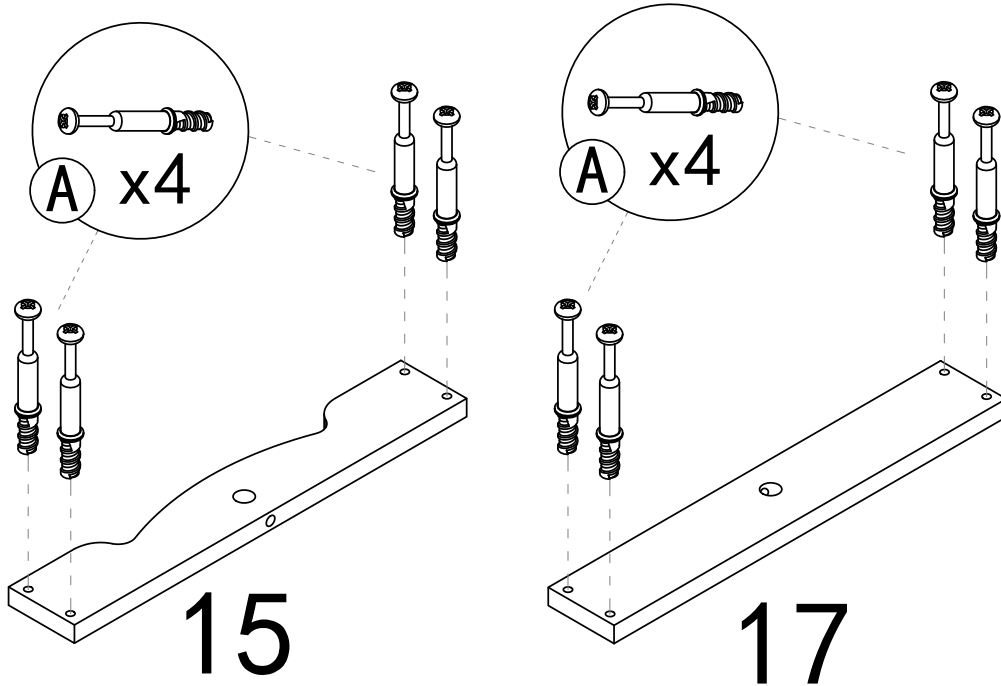
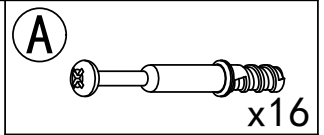
Step 30



A		118pcs	B		108pcs	C		16pcs
D	 	12pcs 36pcs	F		8pcs	G	 	2pcs 6pcs
H	 	8pcs 8pcs	I	 	1pcs 1pcs	J	 	1pcs 2pcs
K		4pcs	L	 	1pcs 2pcs		 	1pcs 2pcs

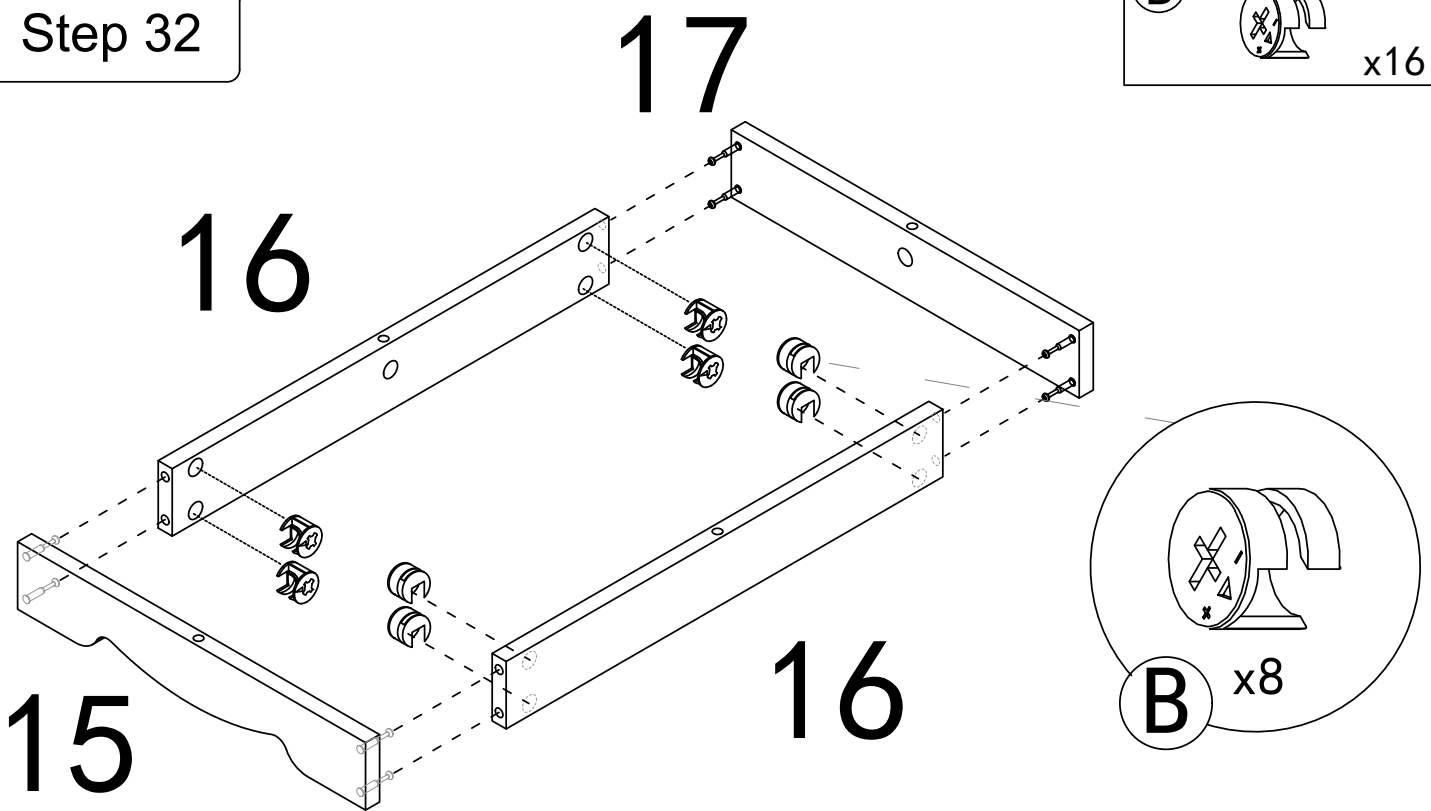
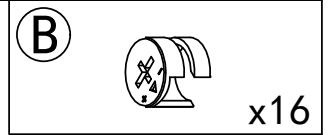


Step 31



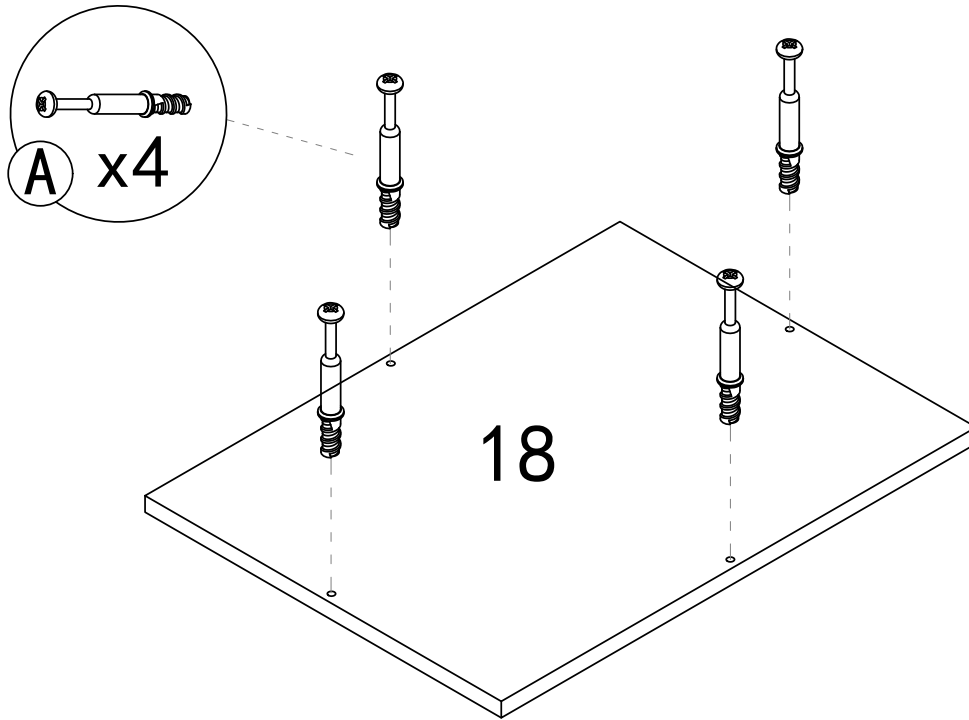
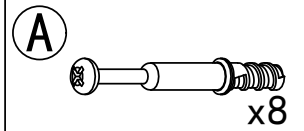
Repeat this step twice

Step 32



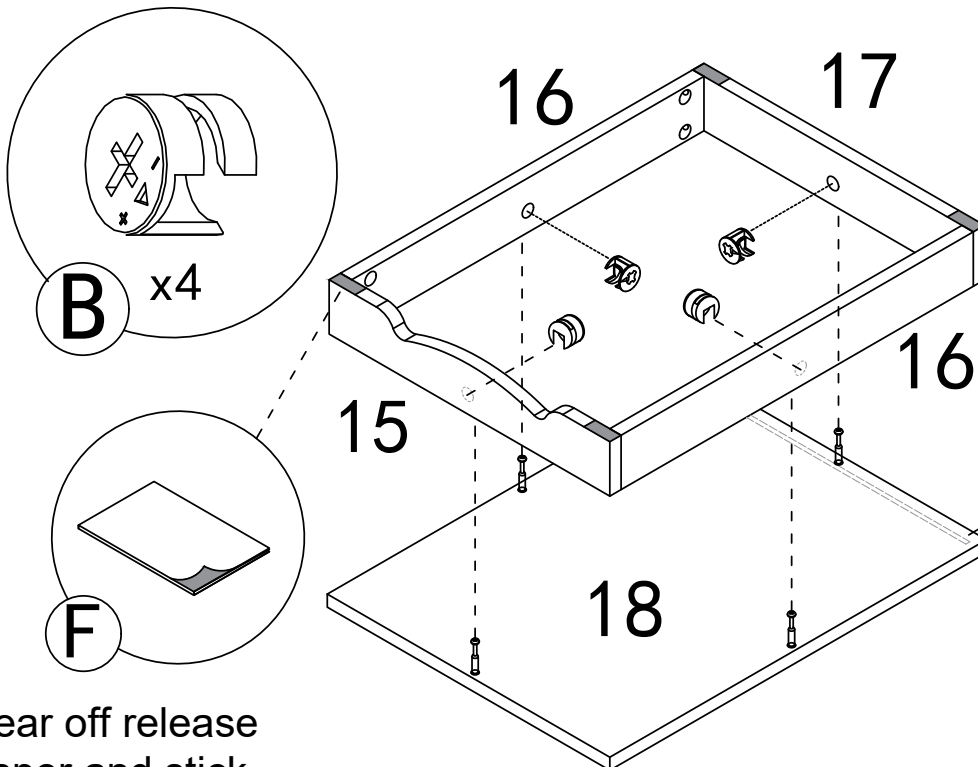
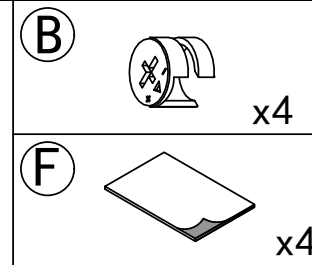
Repeat this step twice

Step 33



Repeat this step twice

Step 34

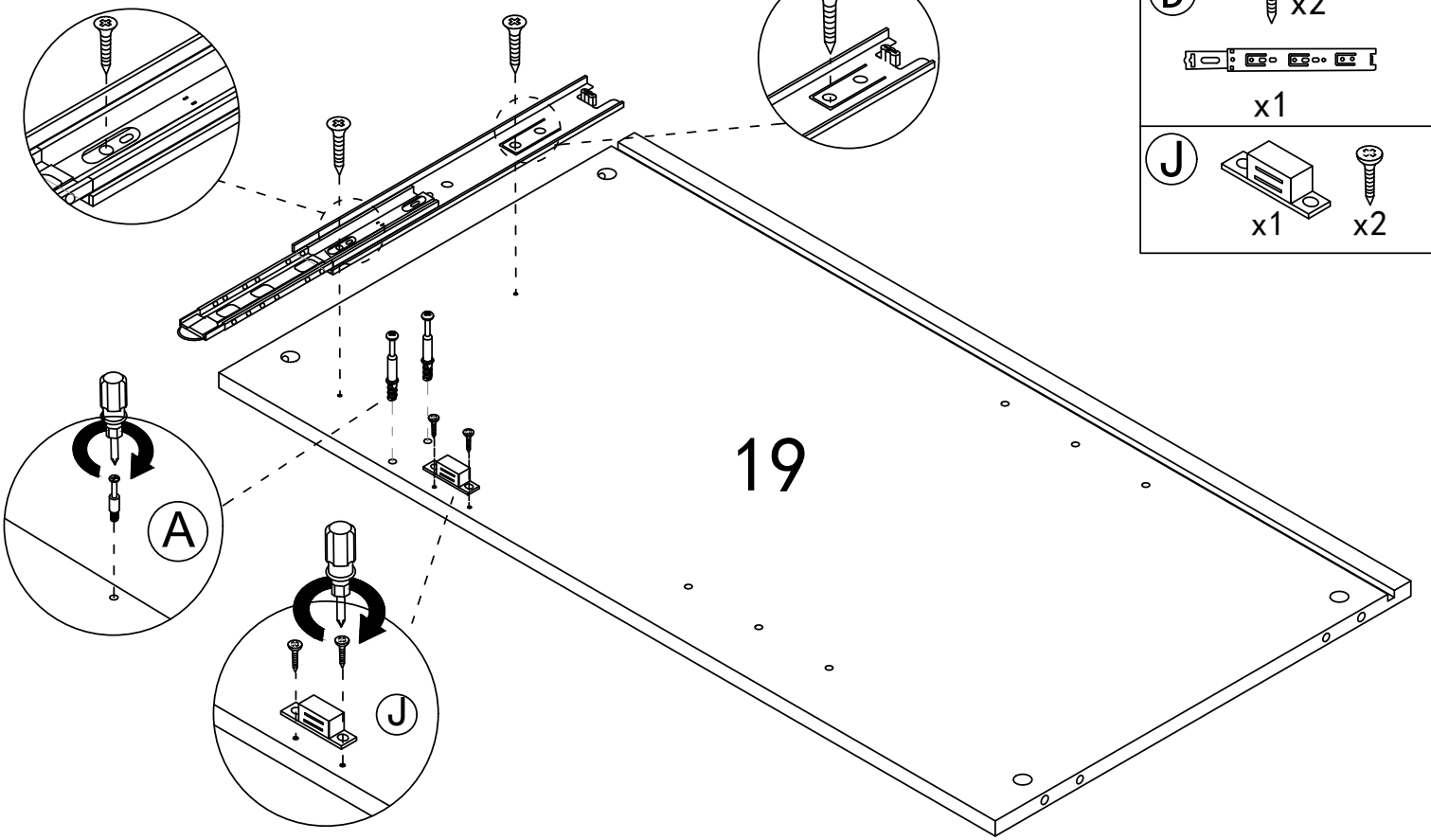


Tear off release paper and stick the black foot pad on the board

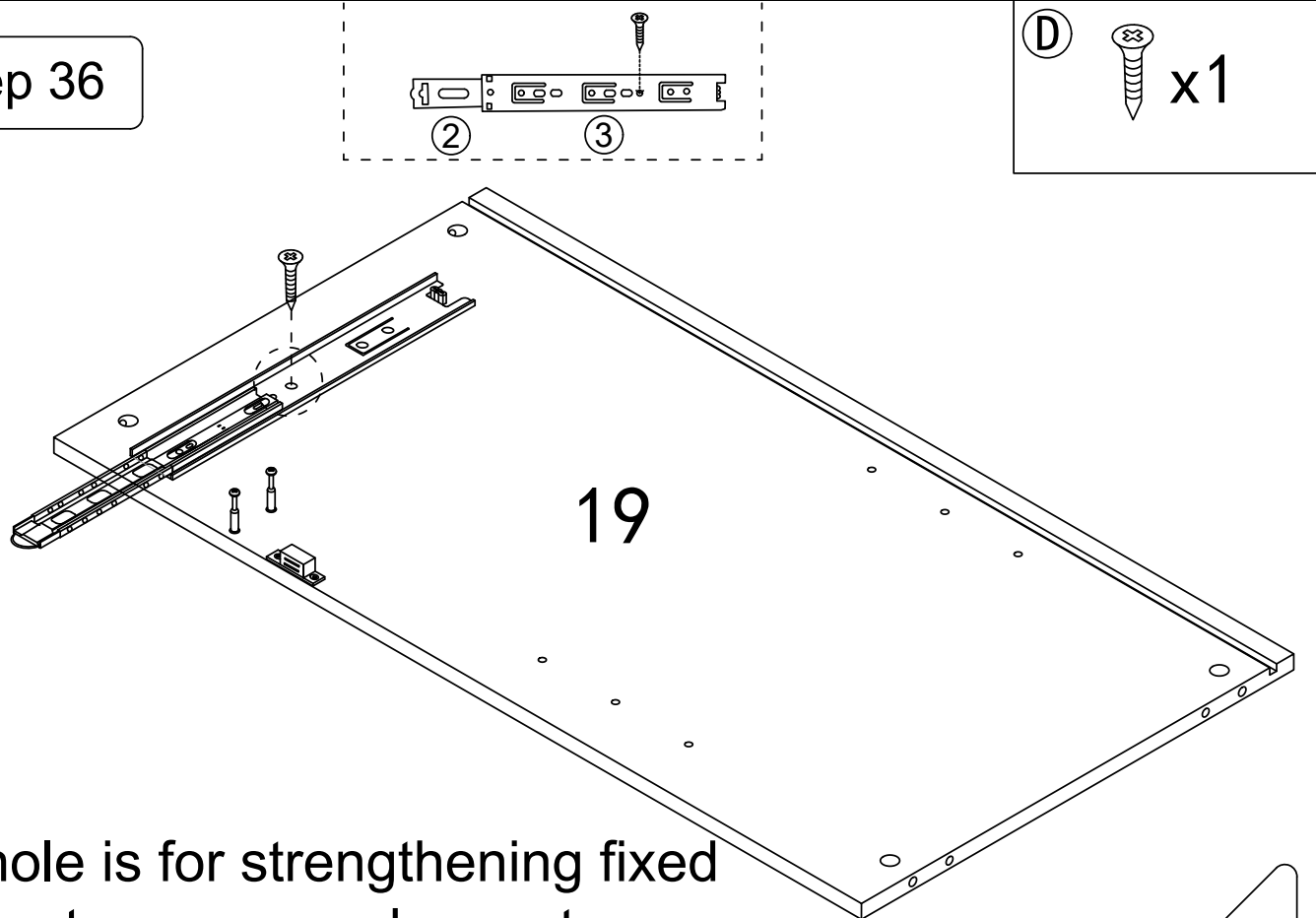
The ones with grooves are at the back

Repeat this step twice

Step 35



Step 36



This hole is for strengthening fixed hole customers can choose to install according to their needs.

Step 37

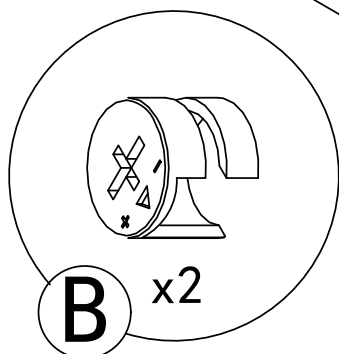
B



x2

20

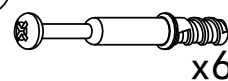
19



B x2

Step 38

A



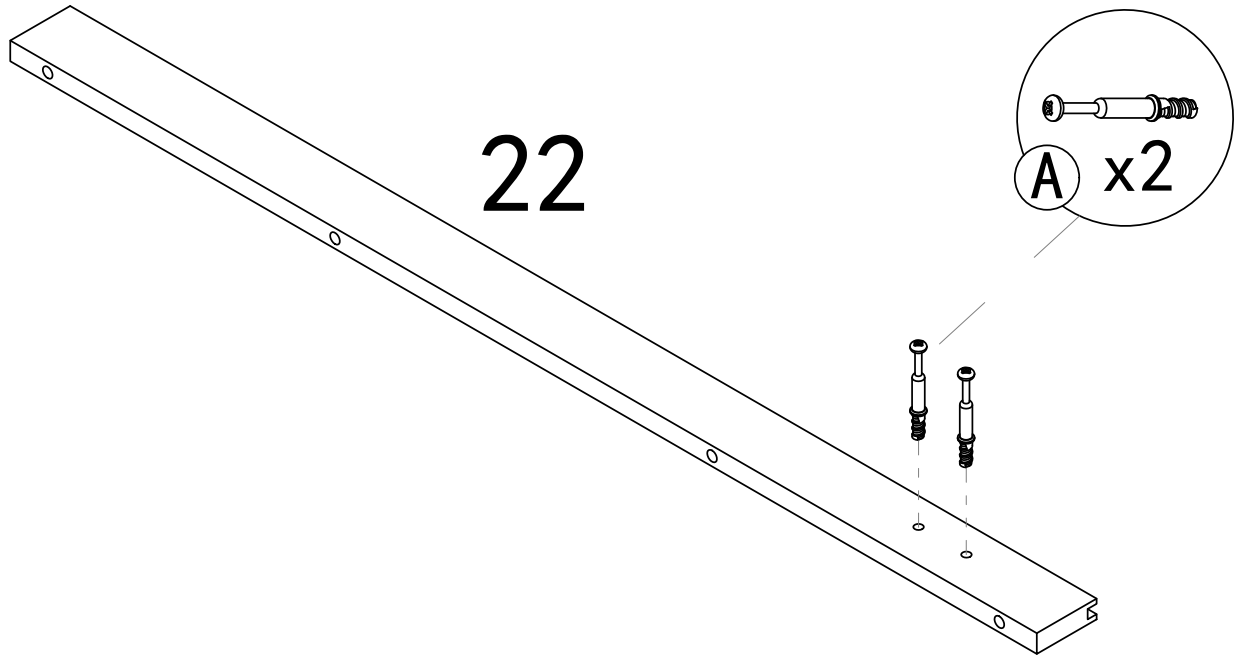
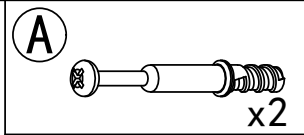
x6

A x6

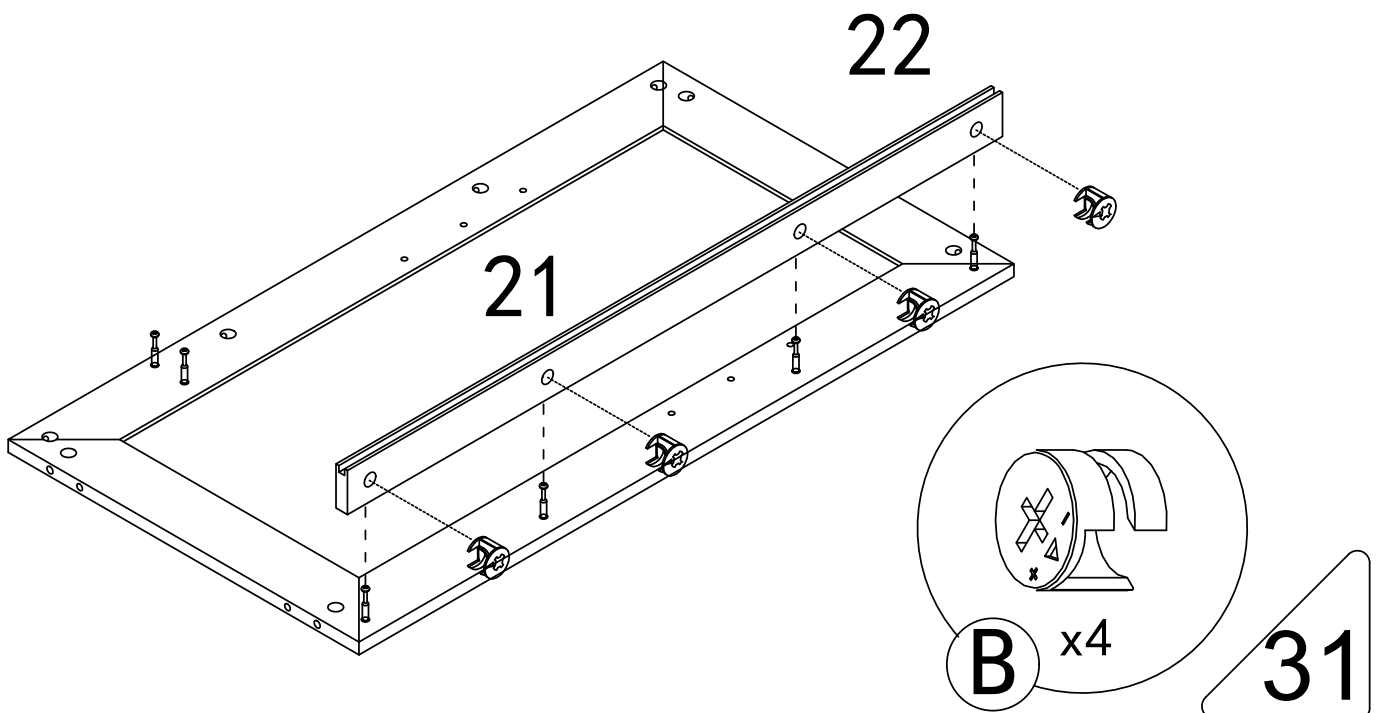
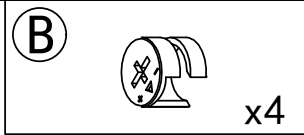
21

30

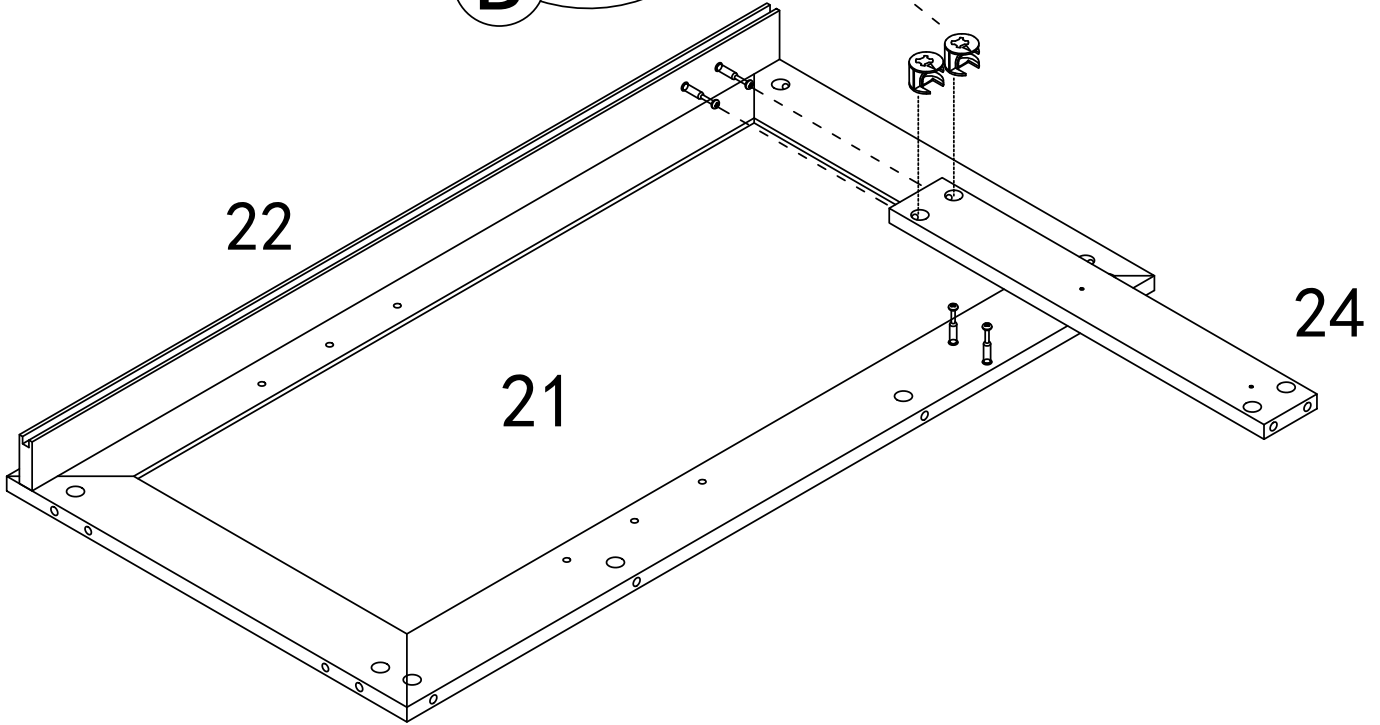
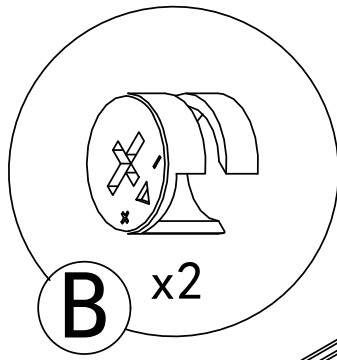
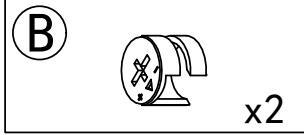
Step 39



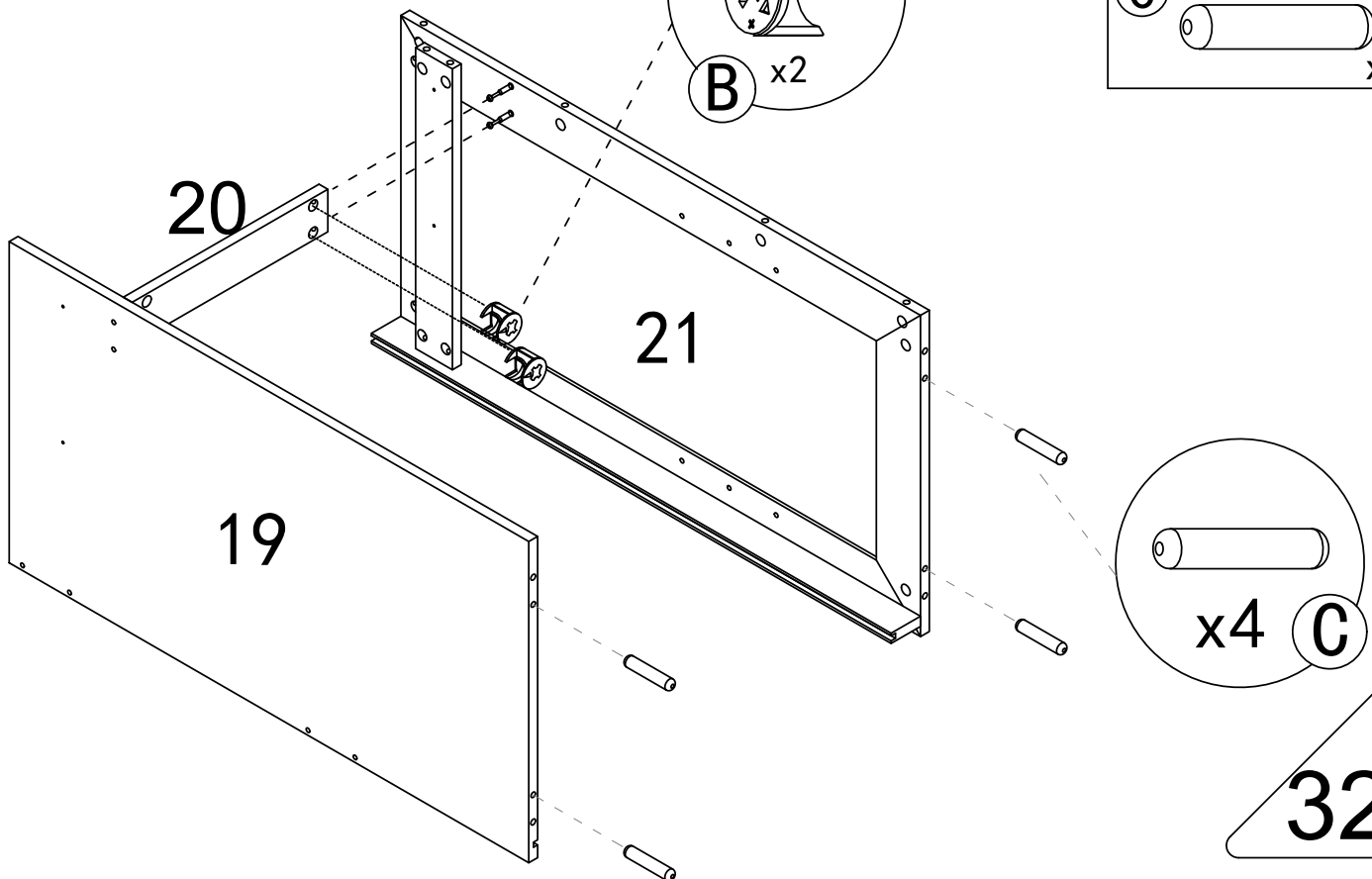
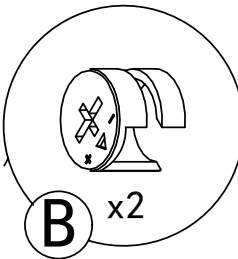
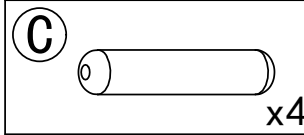
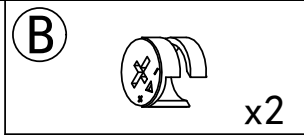
Step 40



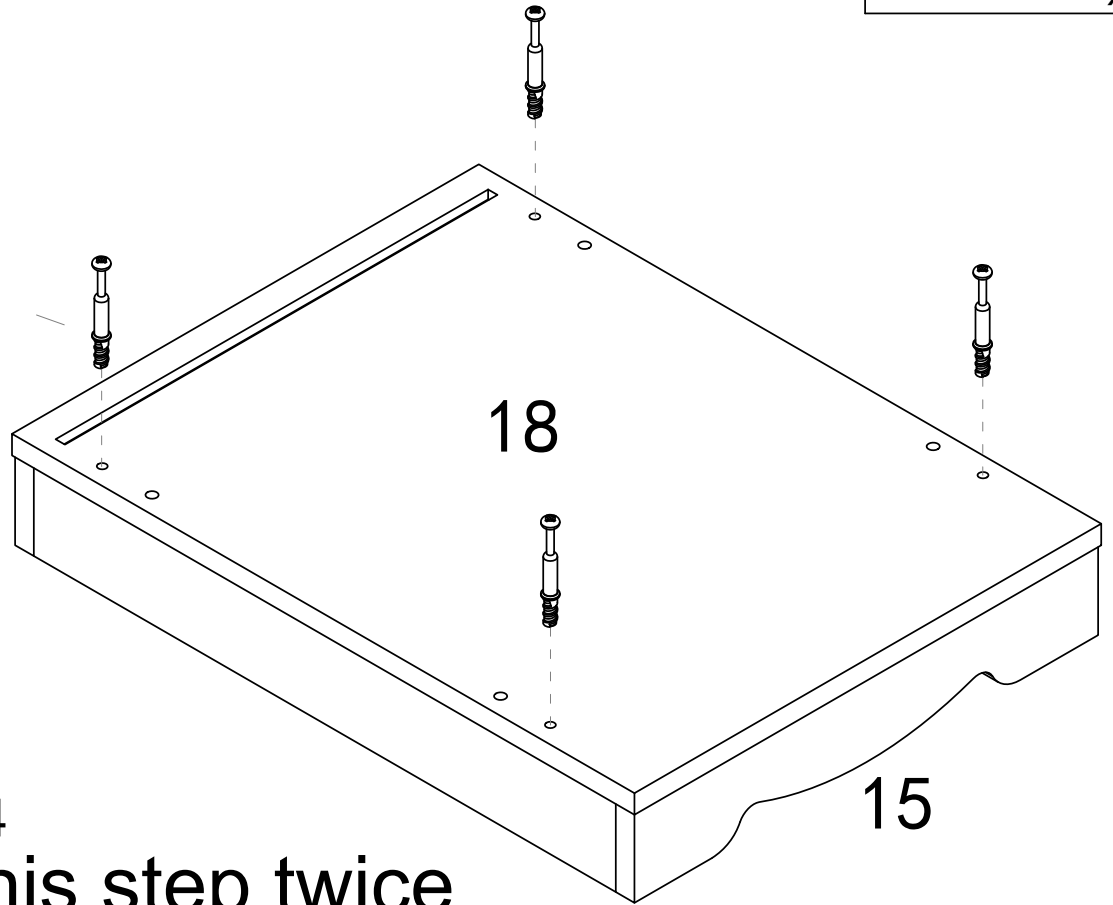
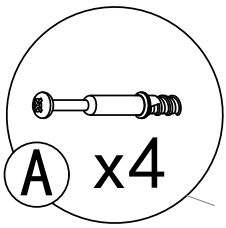
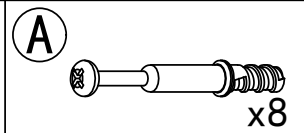
Step 41



Step 42

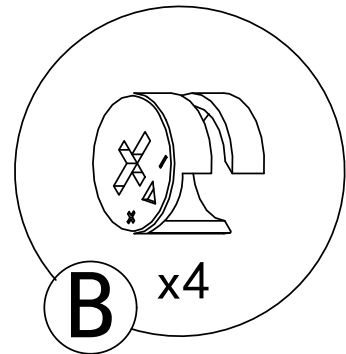
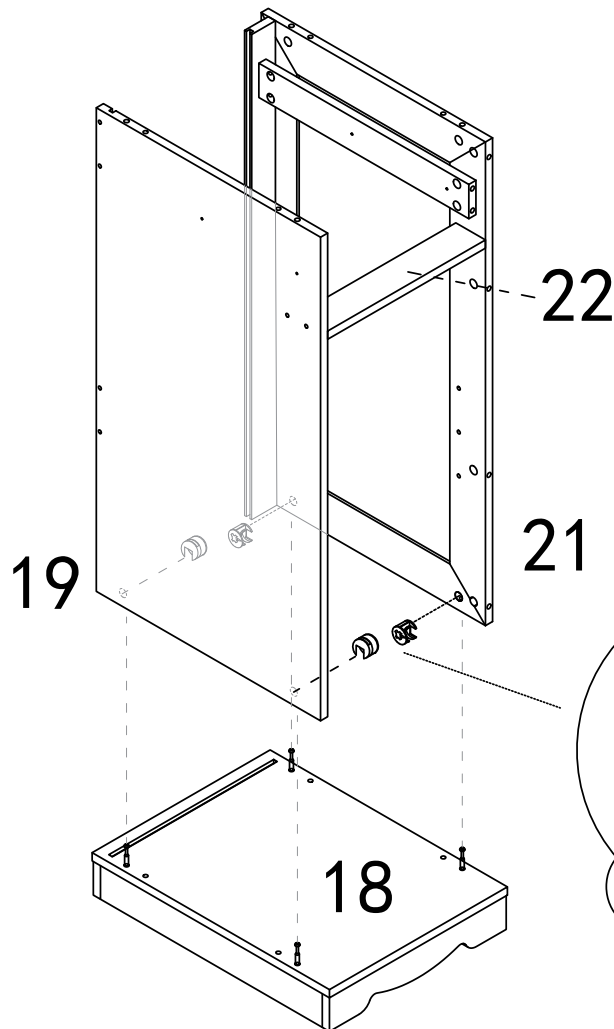
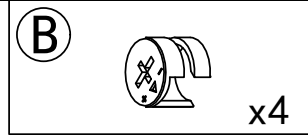


Step 43

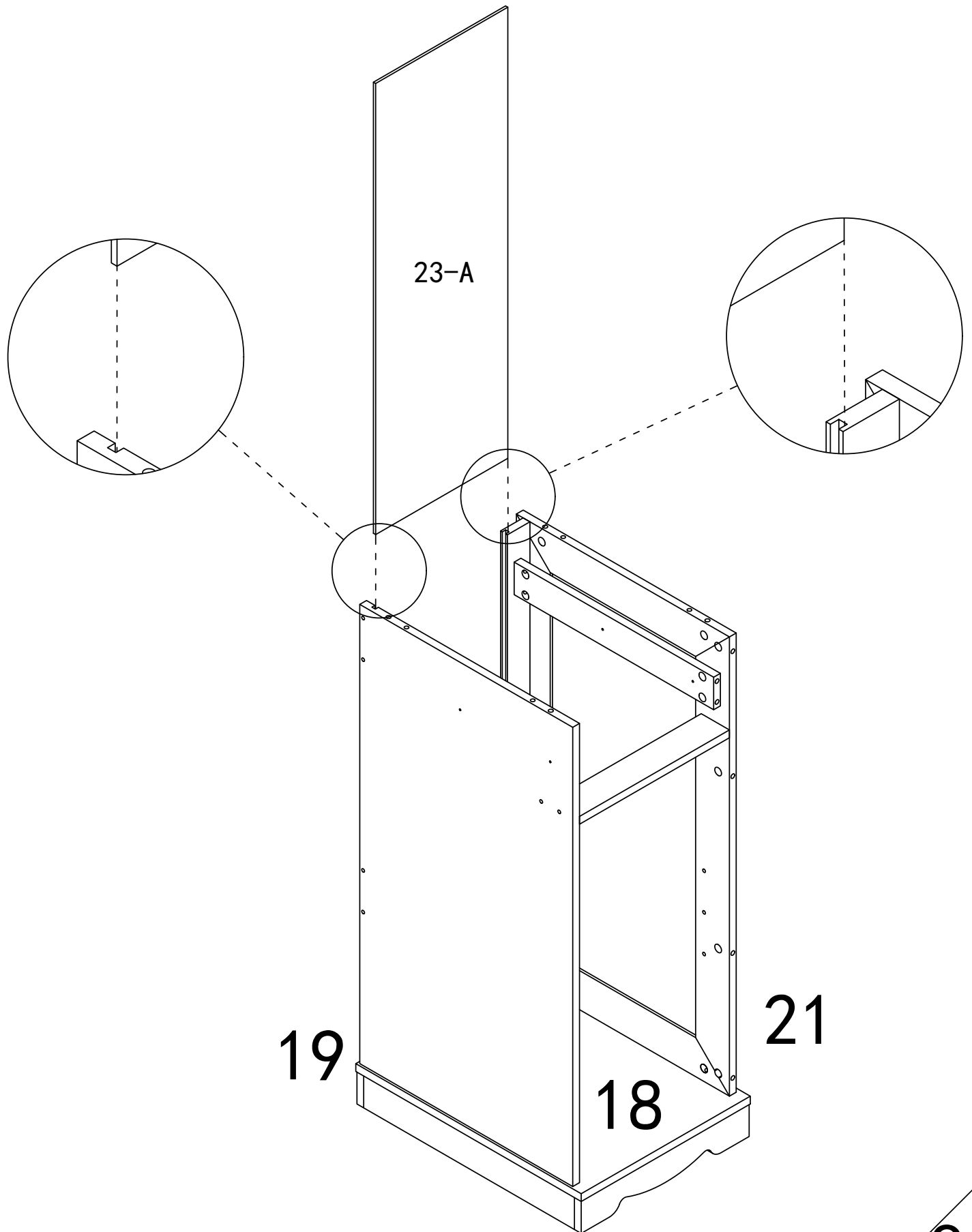


From Step 34
Repeat this step twice

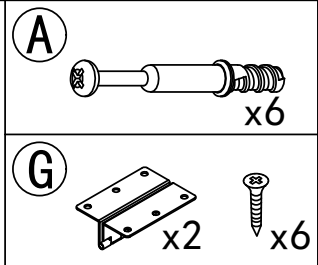
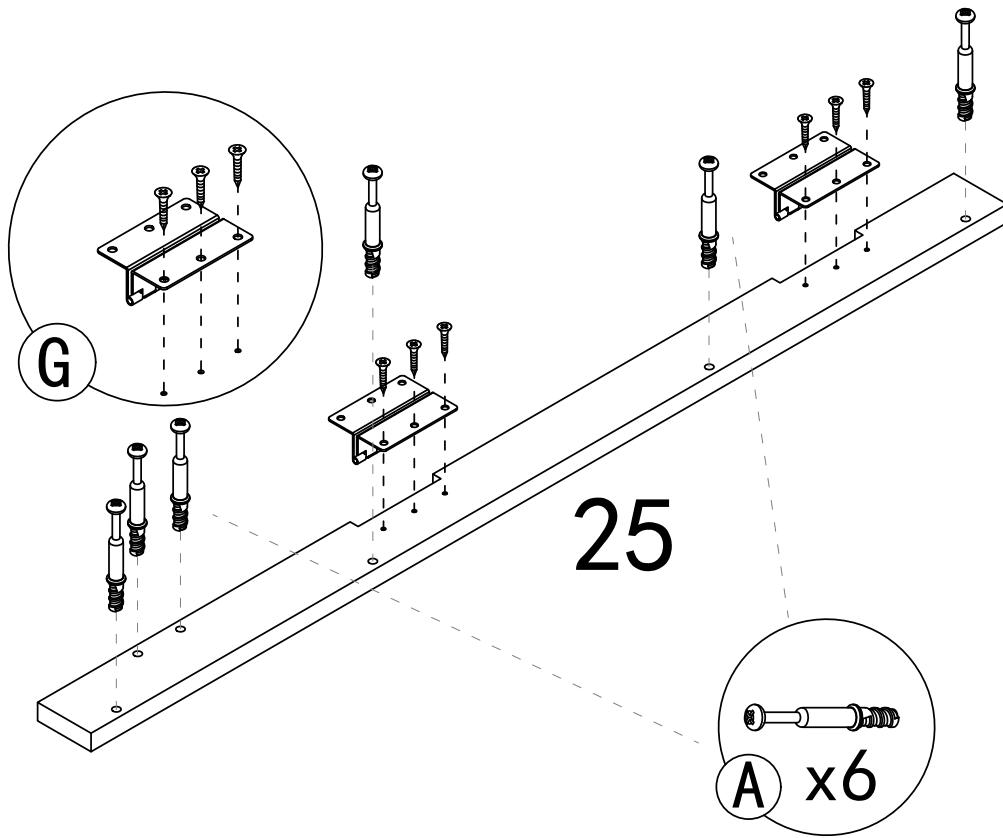
Step 44



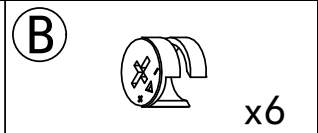
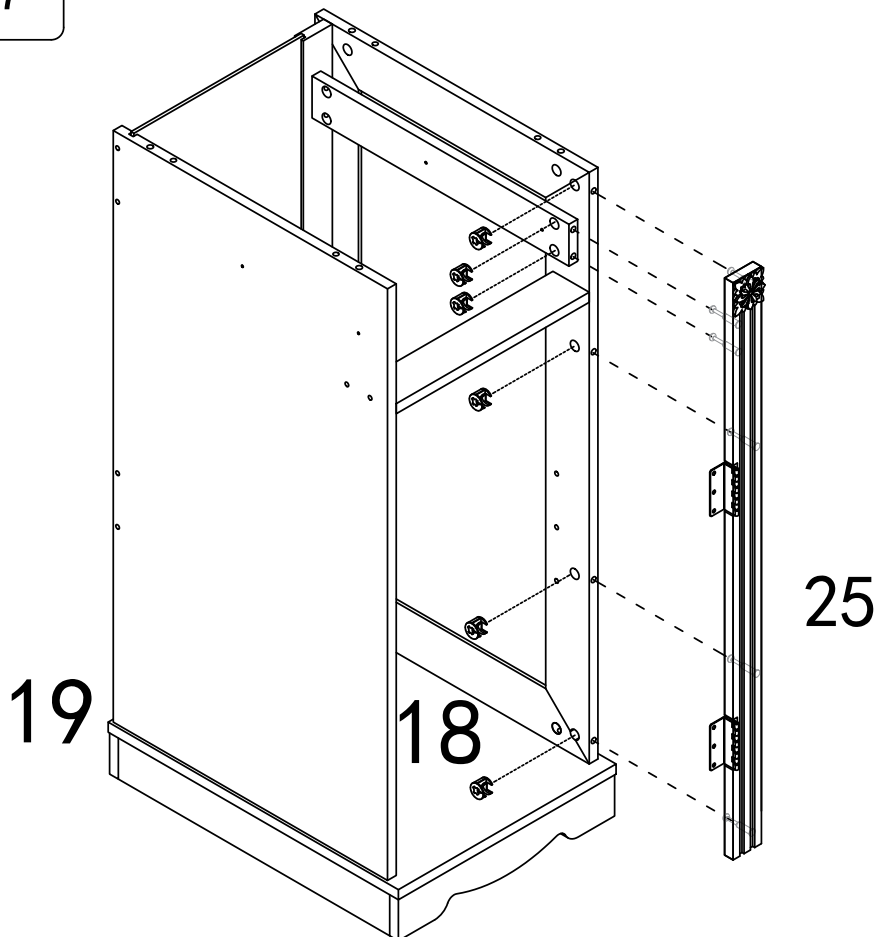
Step 45



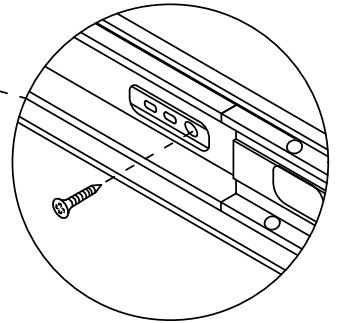
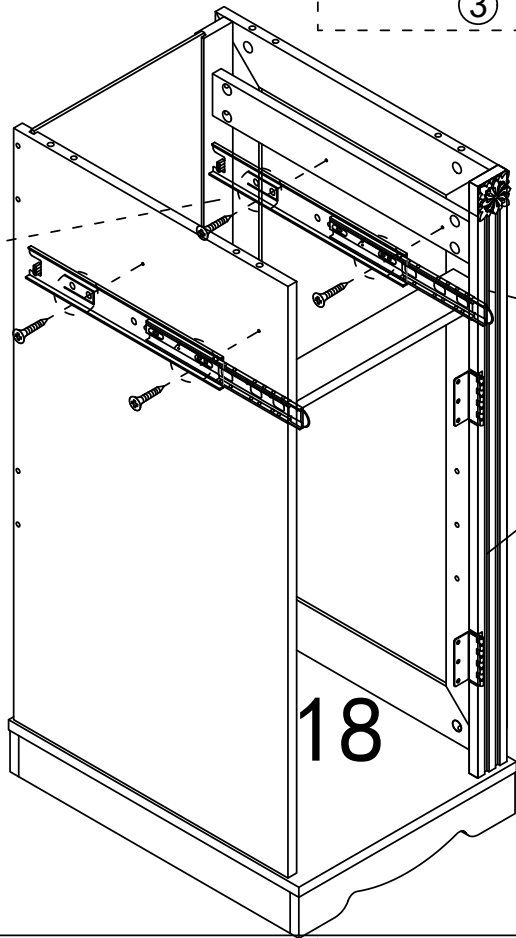
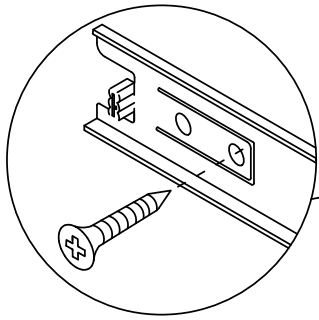
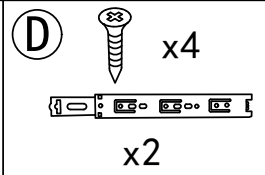
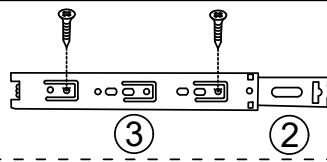
Step 46



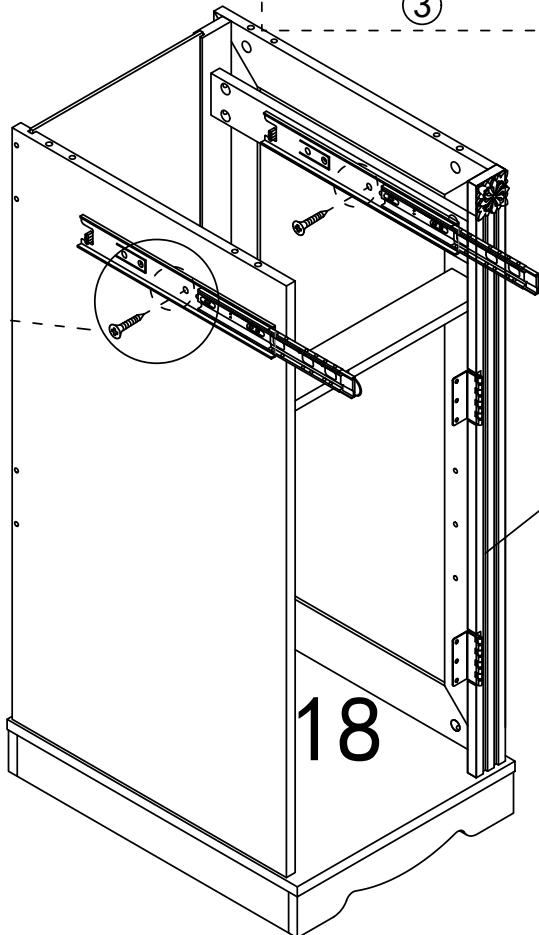
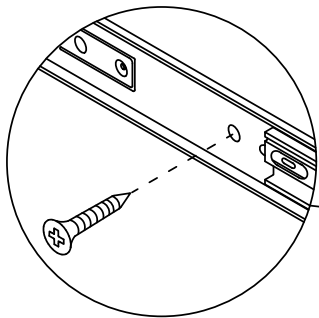
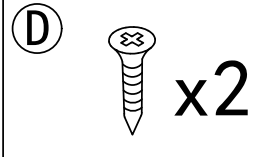
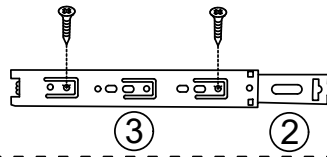
Step 47







Step 48

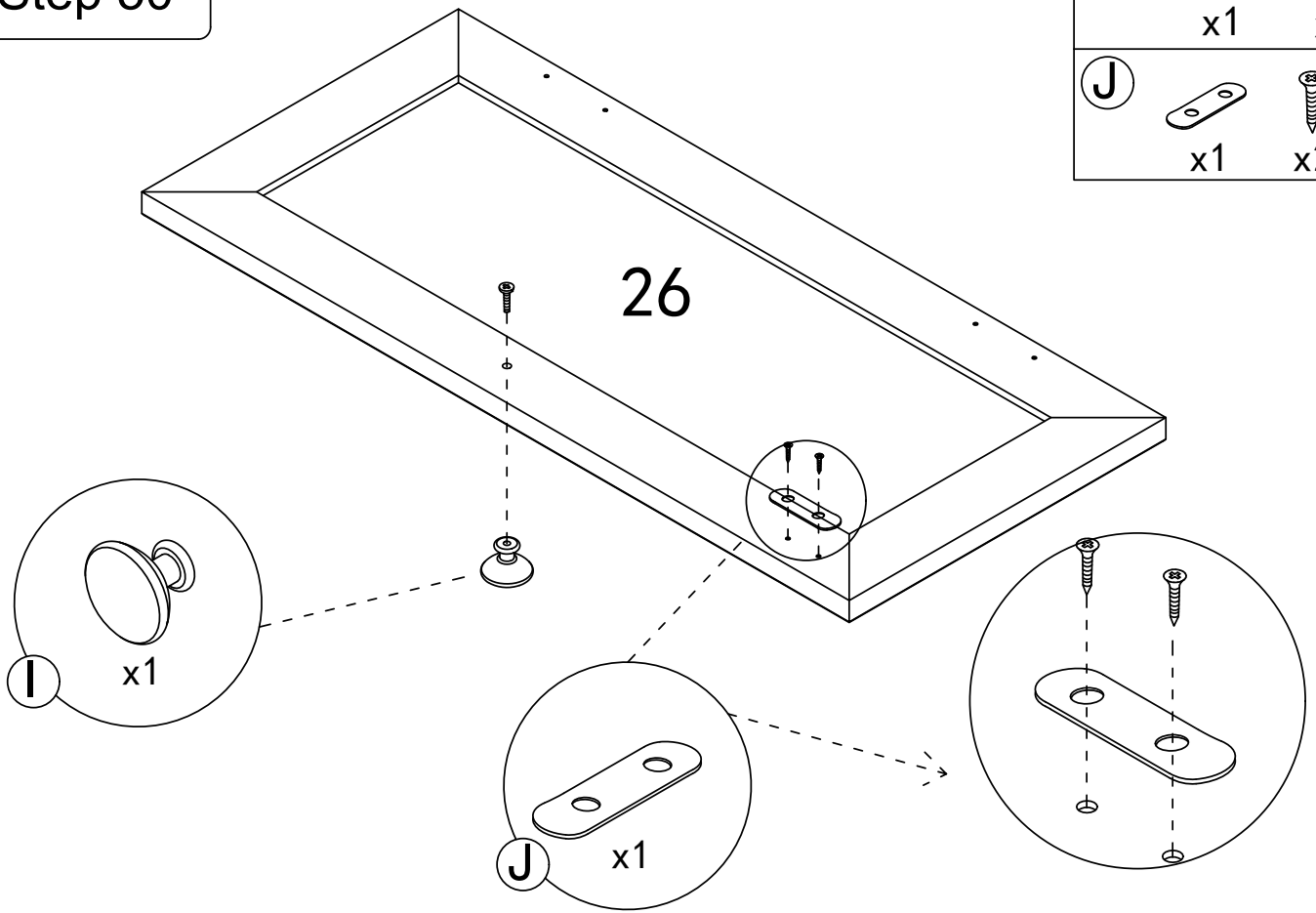


Step 49

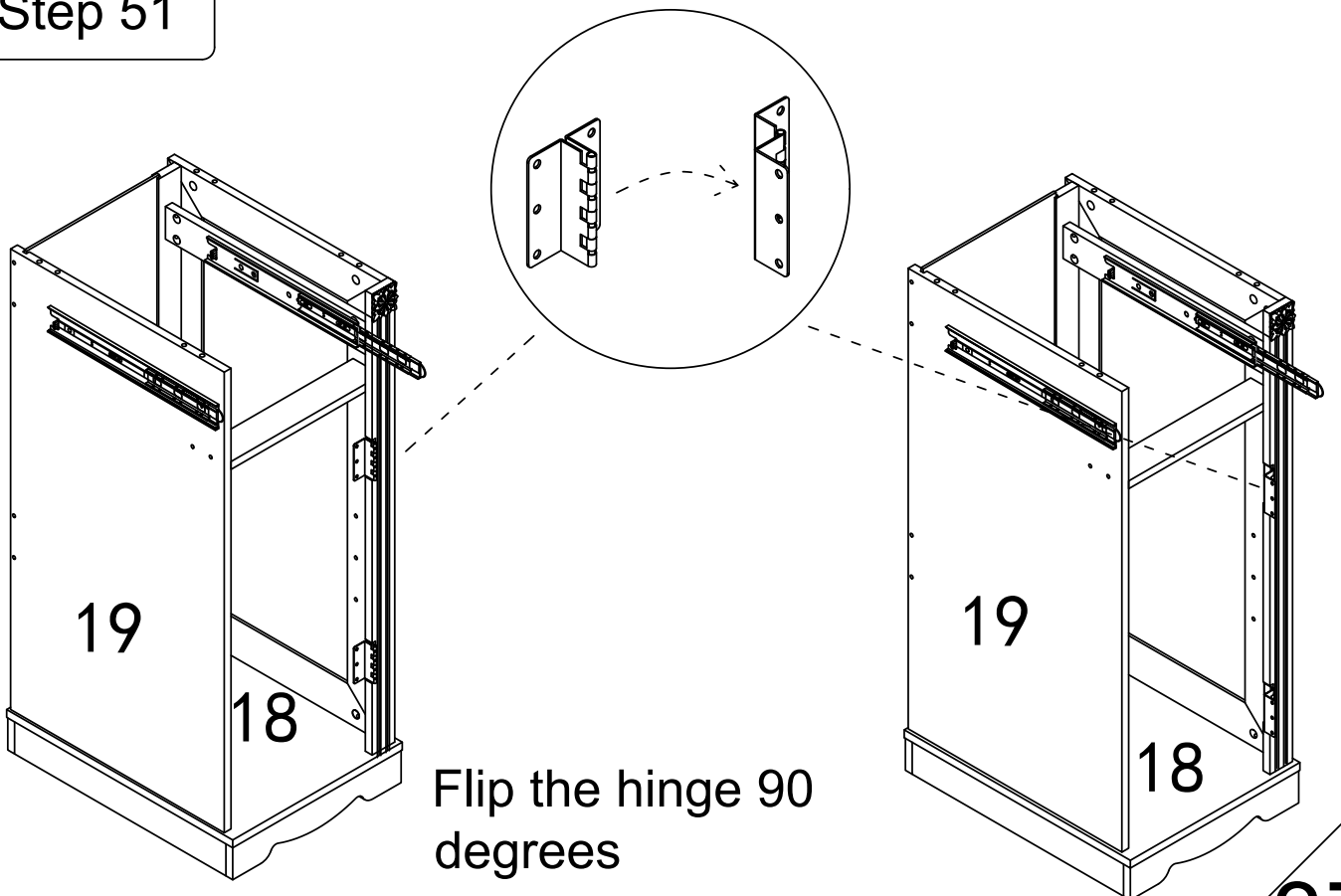


Step 50

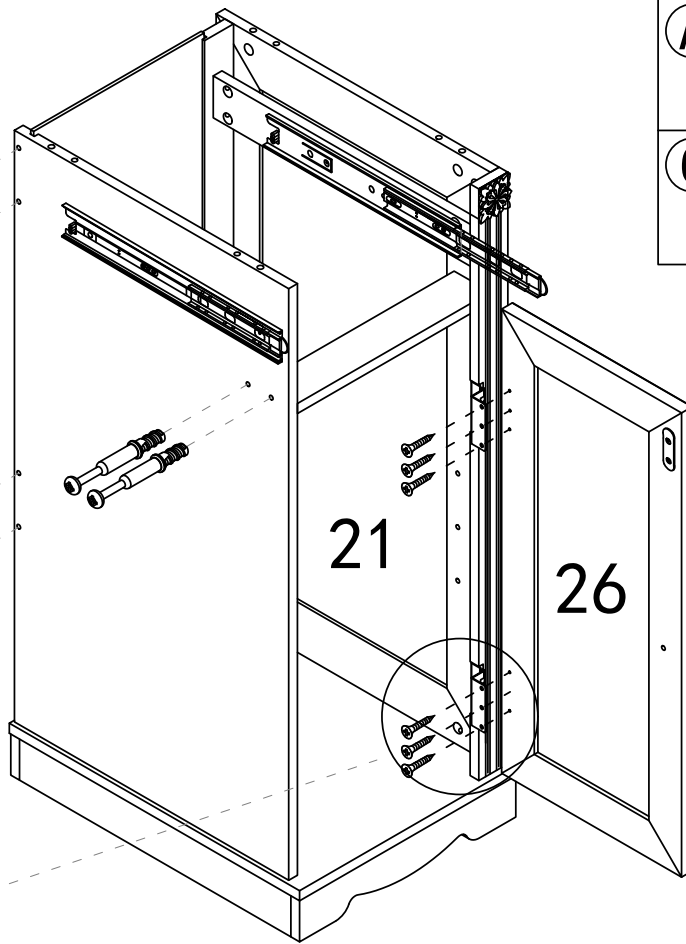
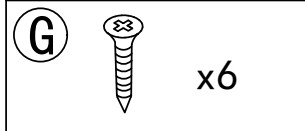
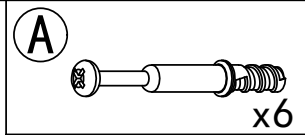
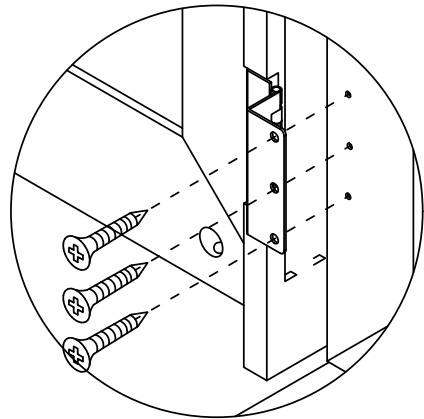
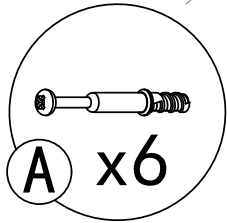
I		x1		x1
J		x1		x2



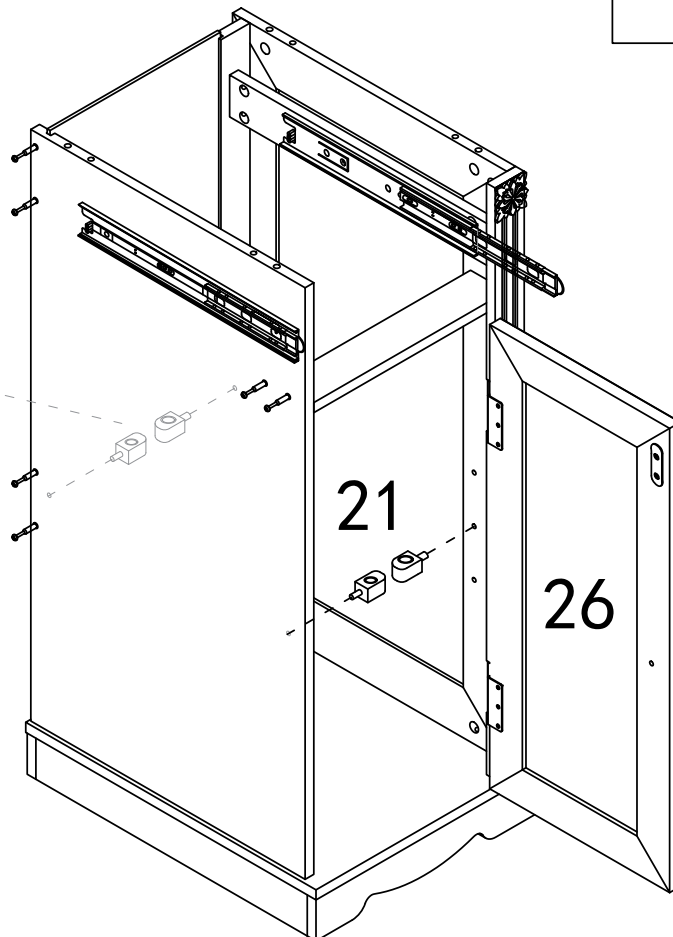
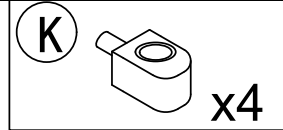
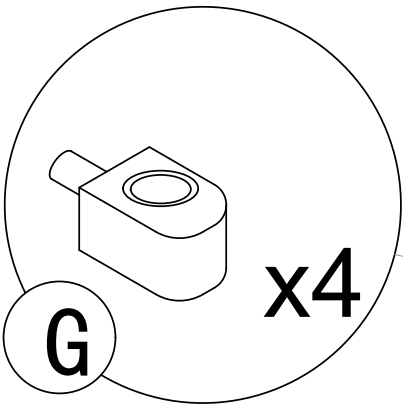
Step 51



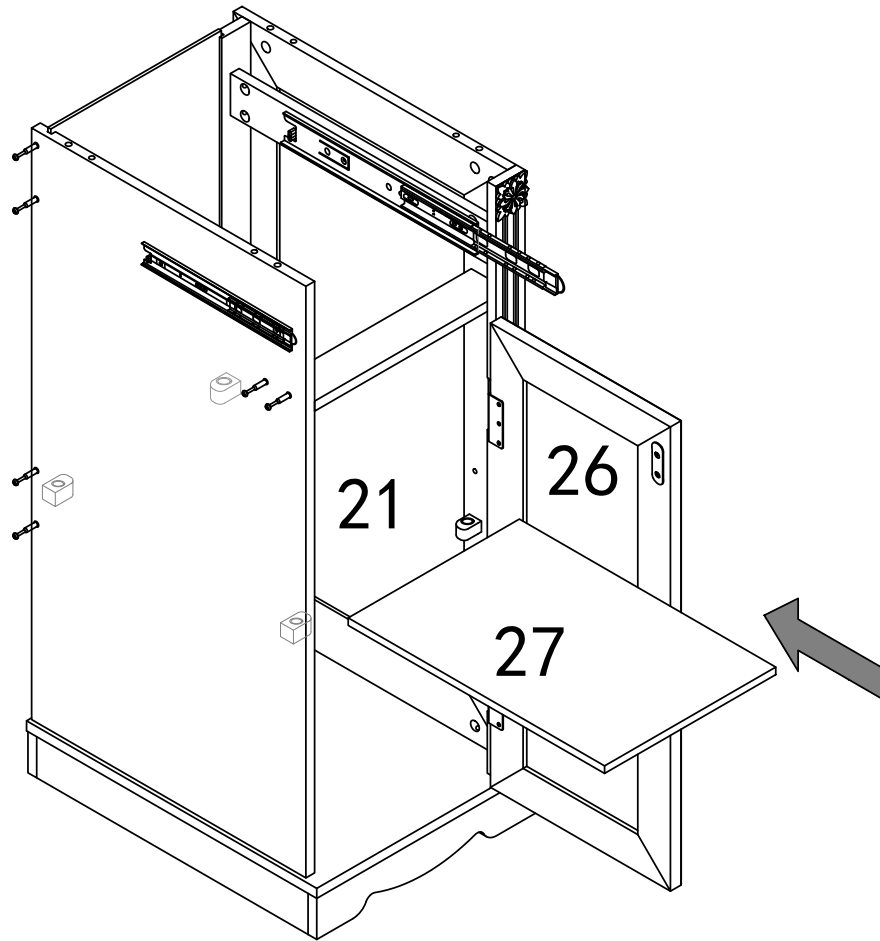
Step 52



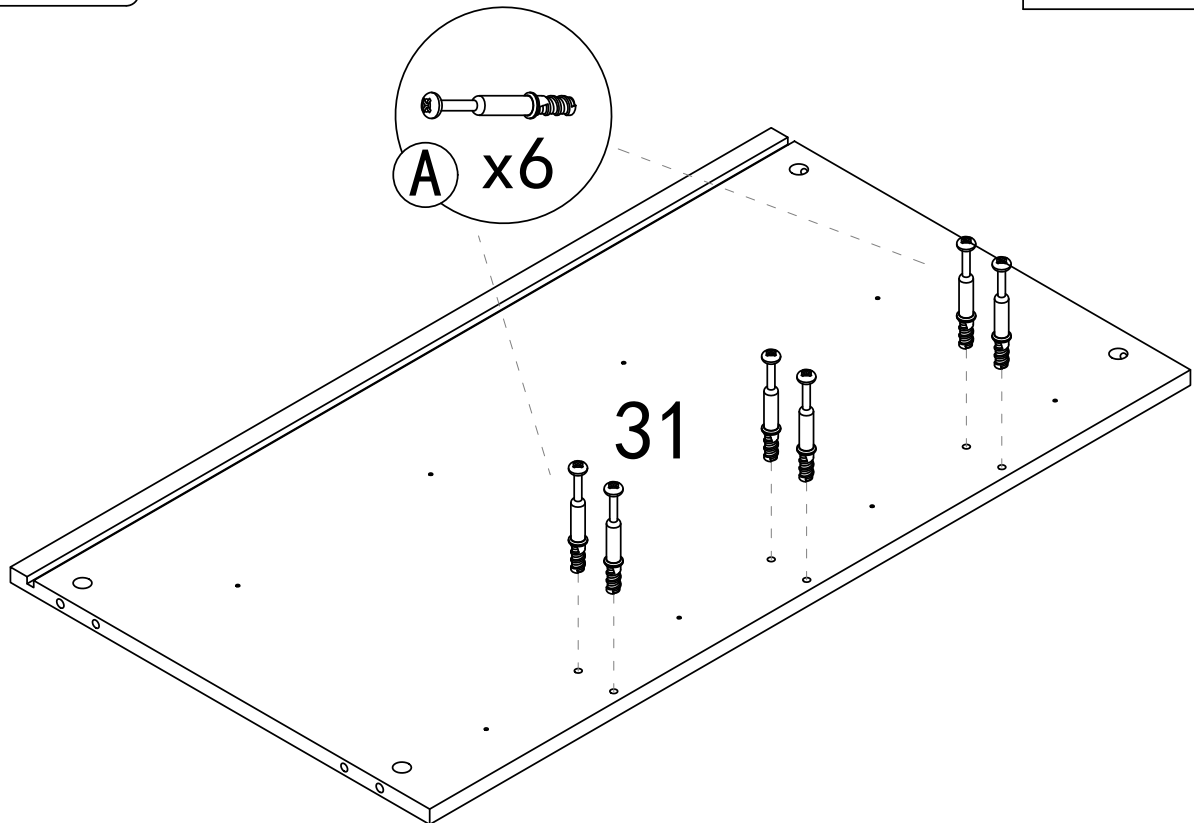
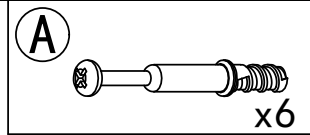
Step 53



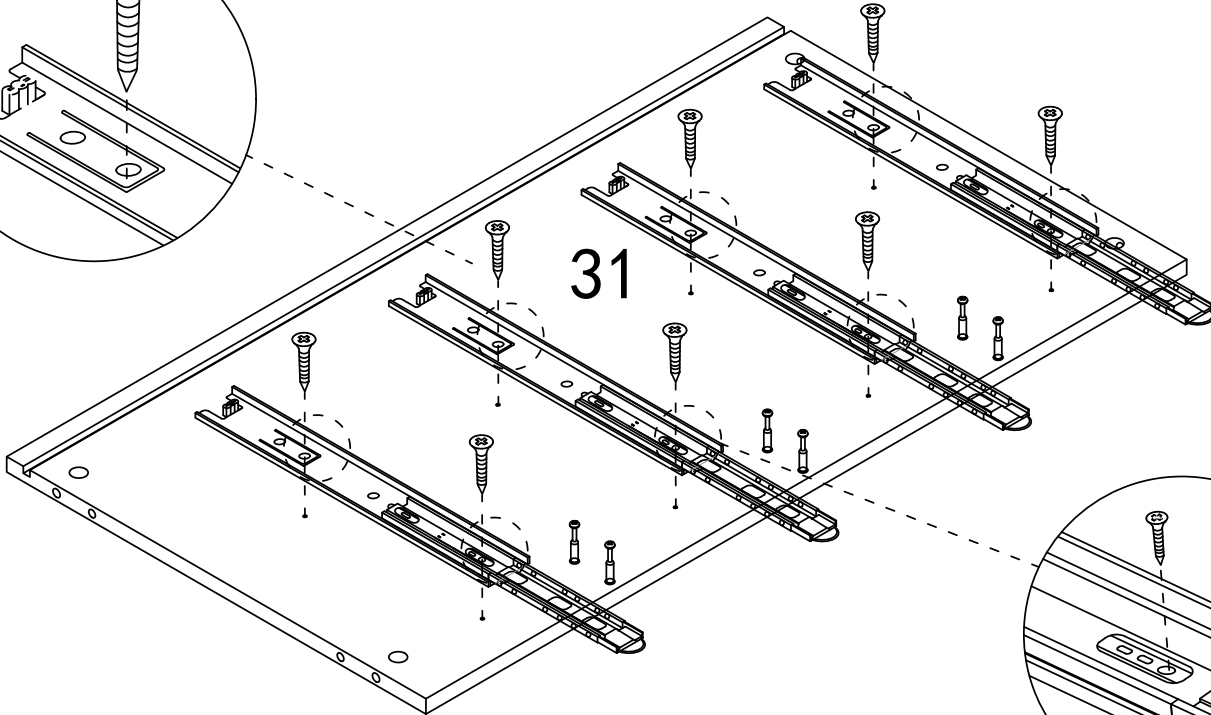
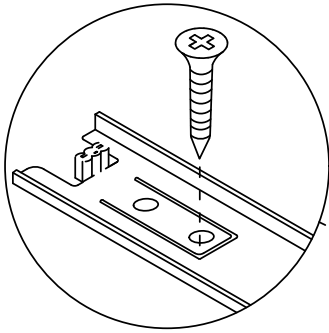
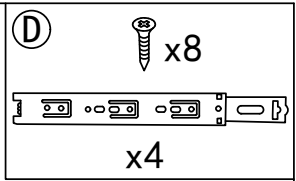
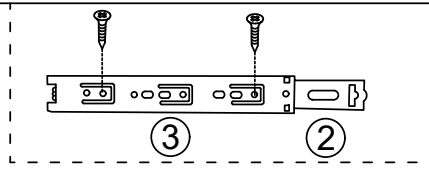
Step 54



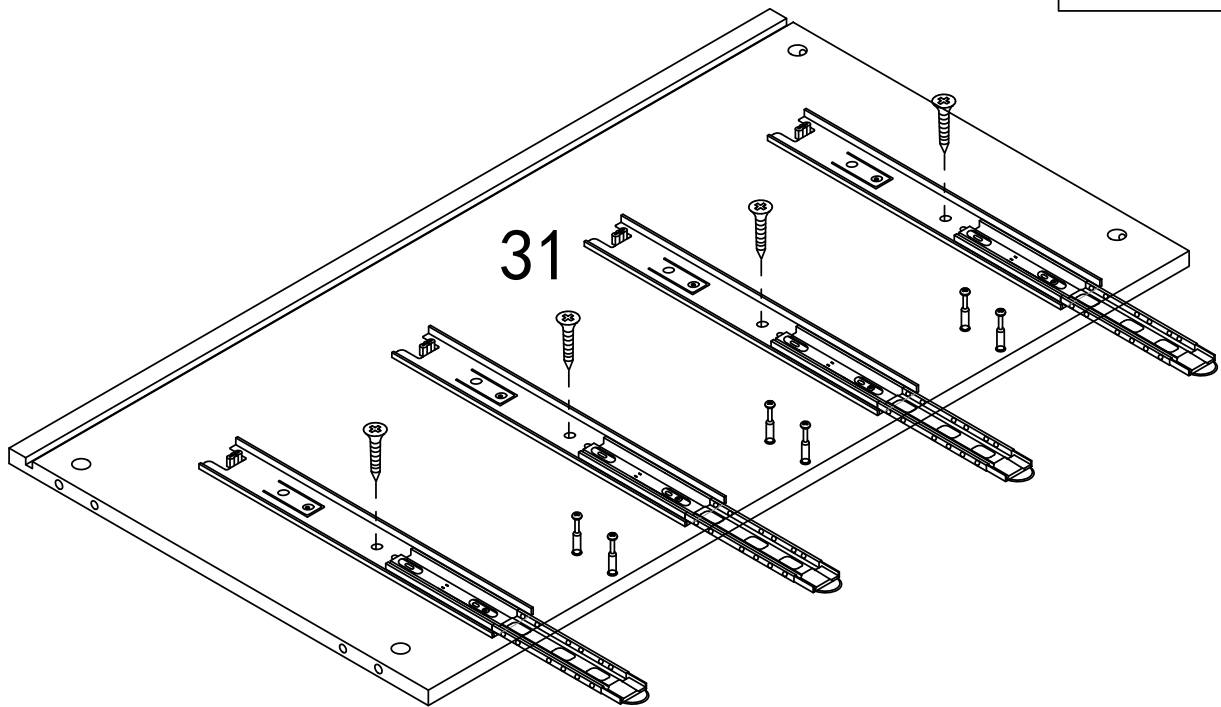
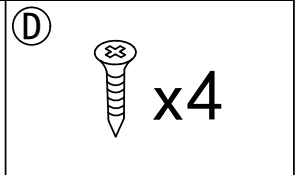
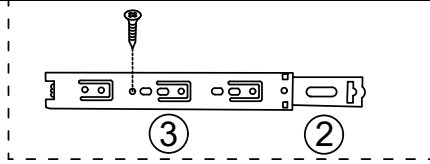
Step 55



Step 56

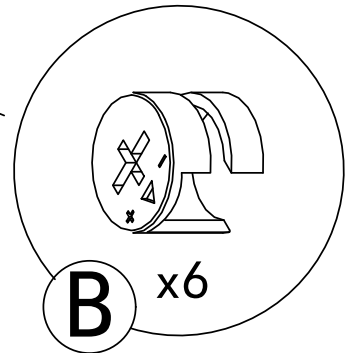
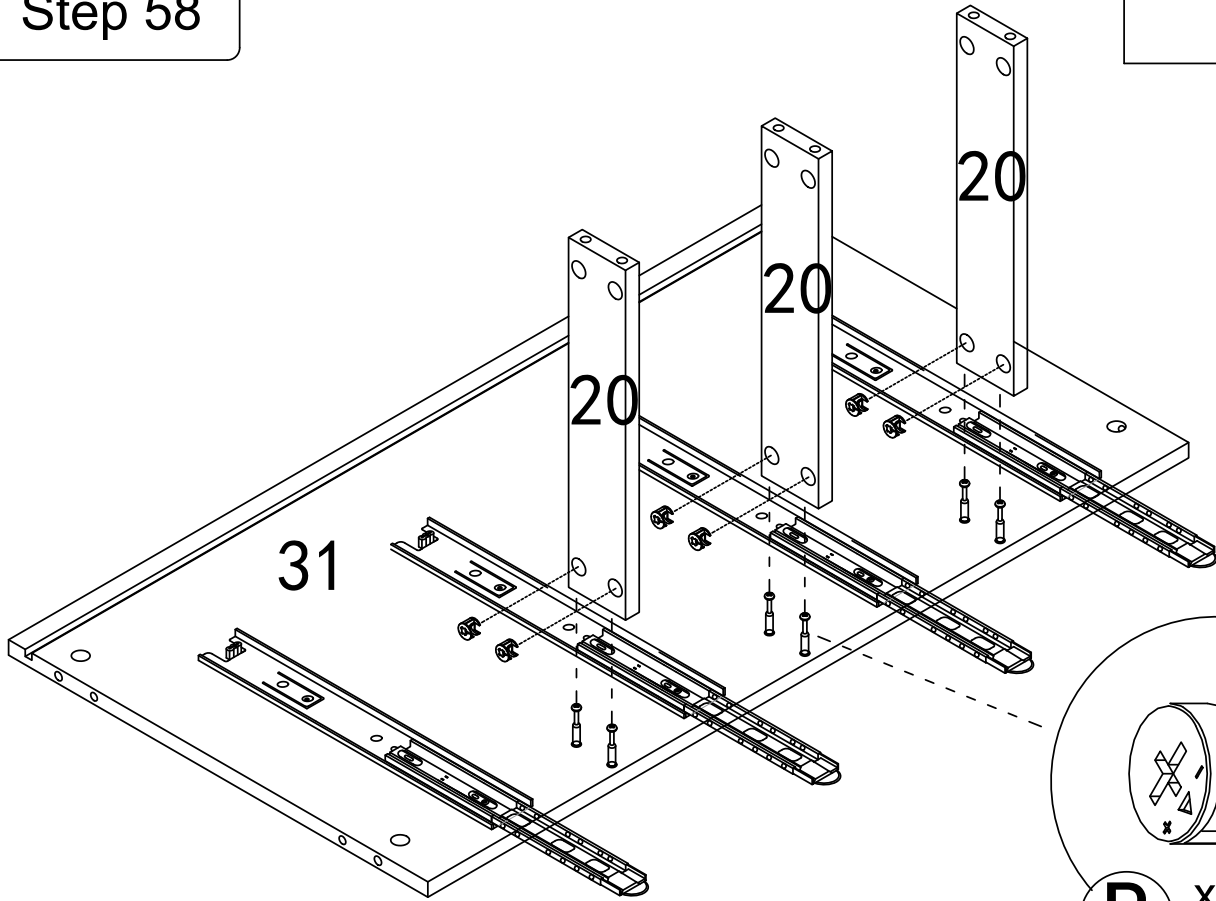
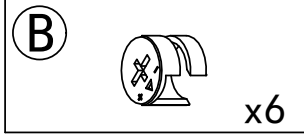


Step 57

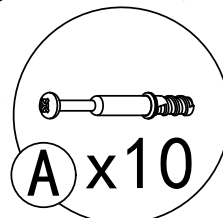
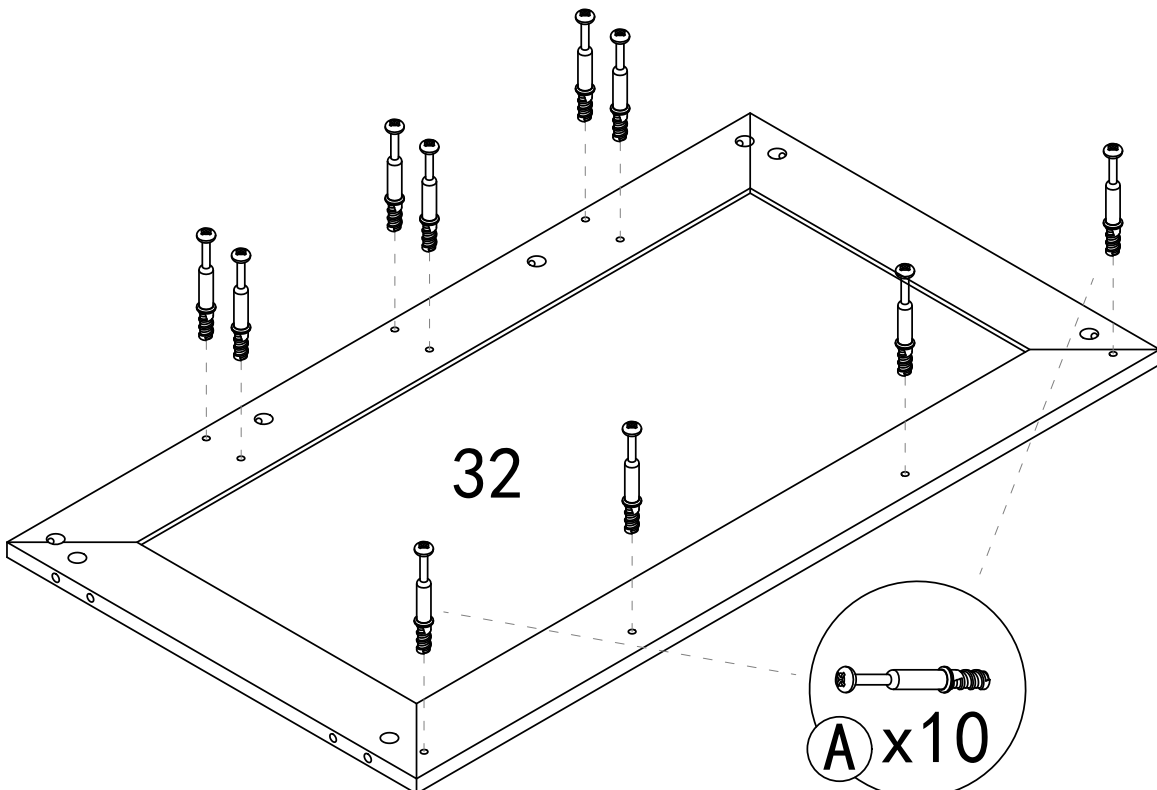
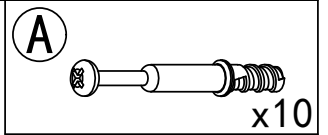


This hole is for strengthening fixed hole customers can choose to install according to their needs.

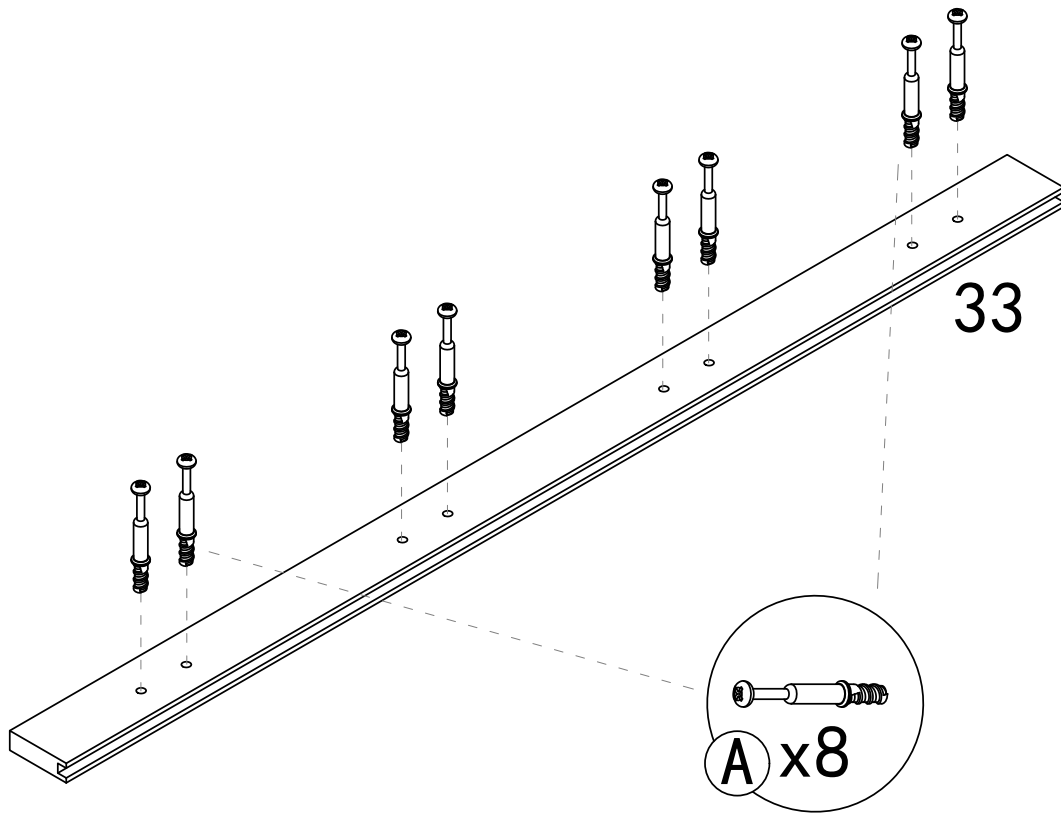
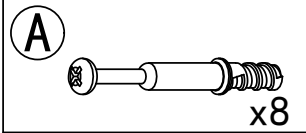
Step 58



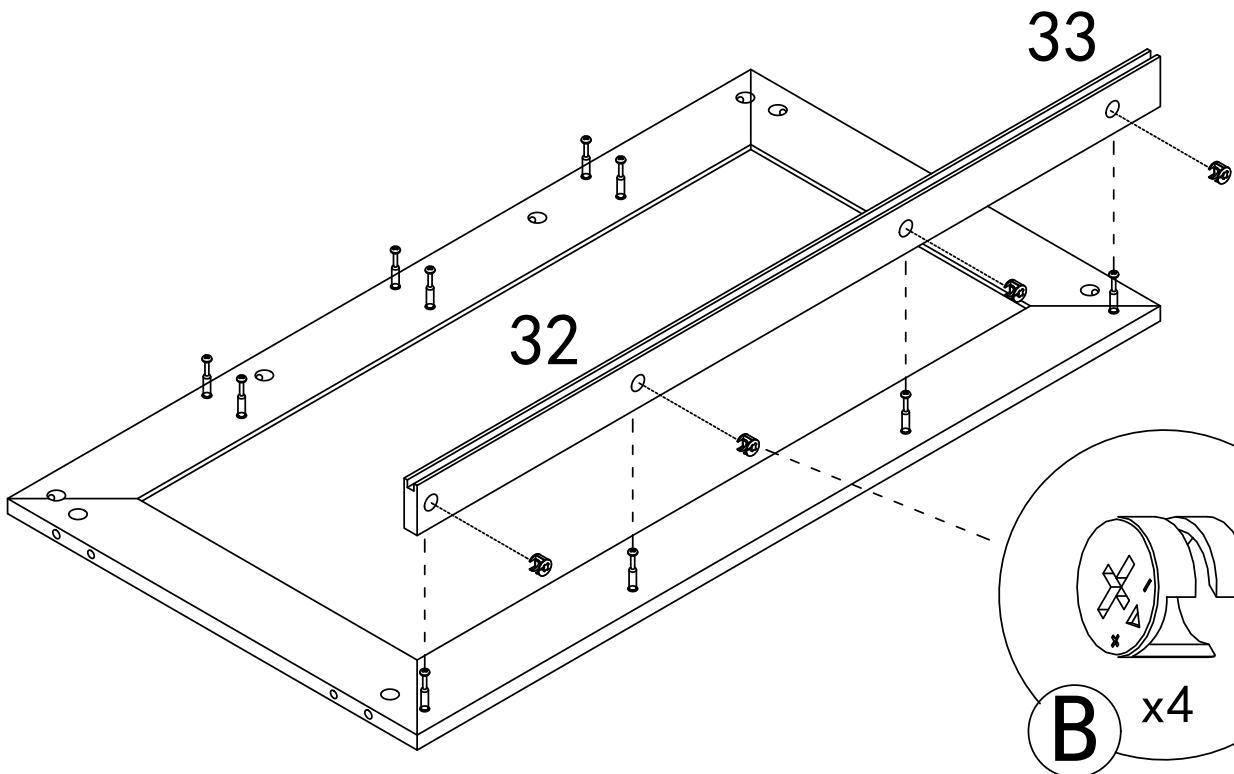
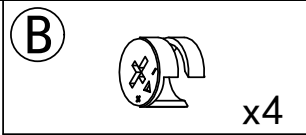
Step 59



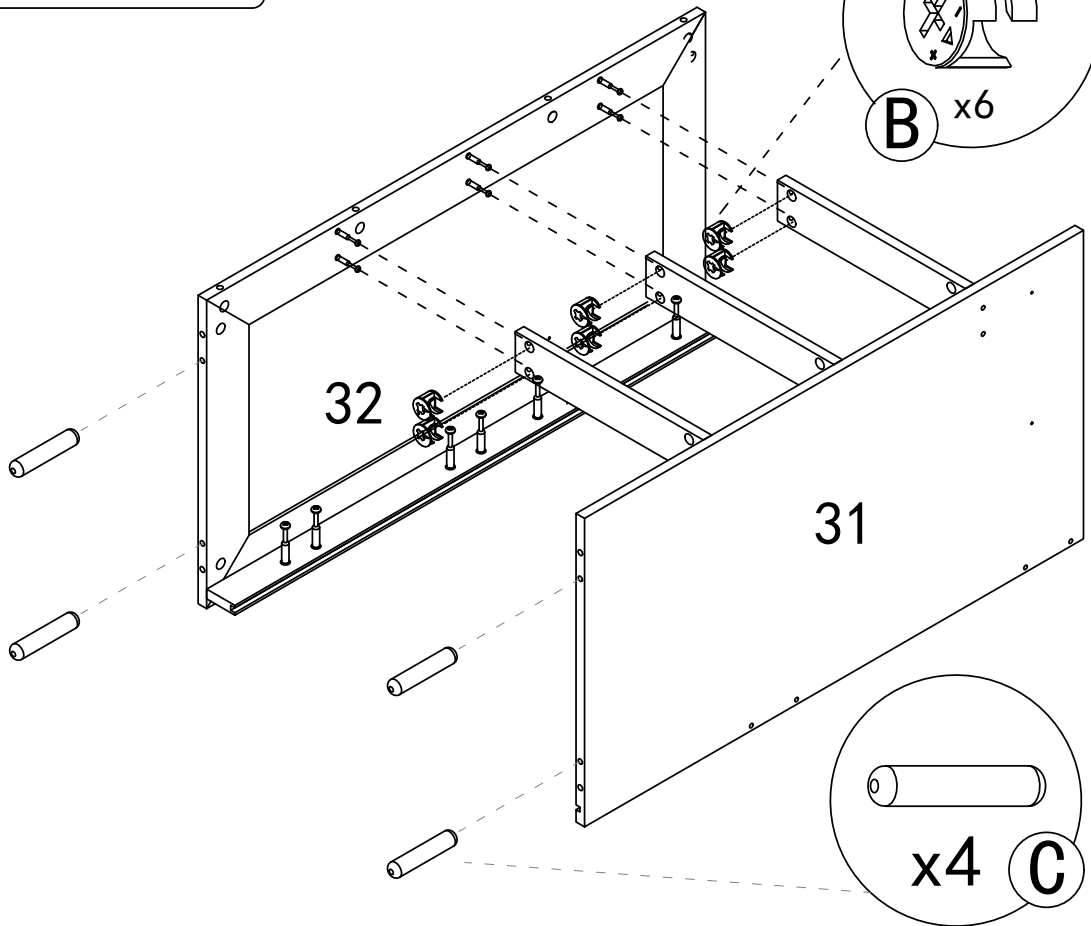
Step 60


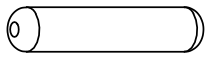


Step 61

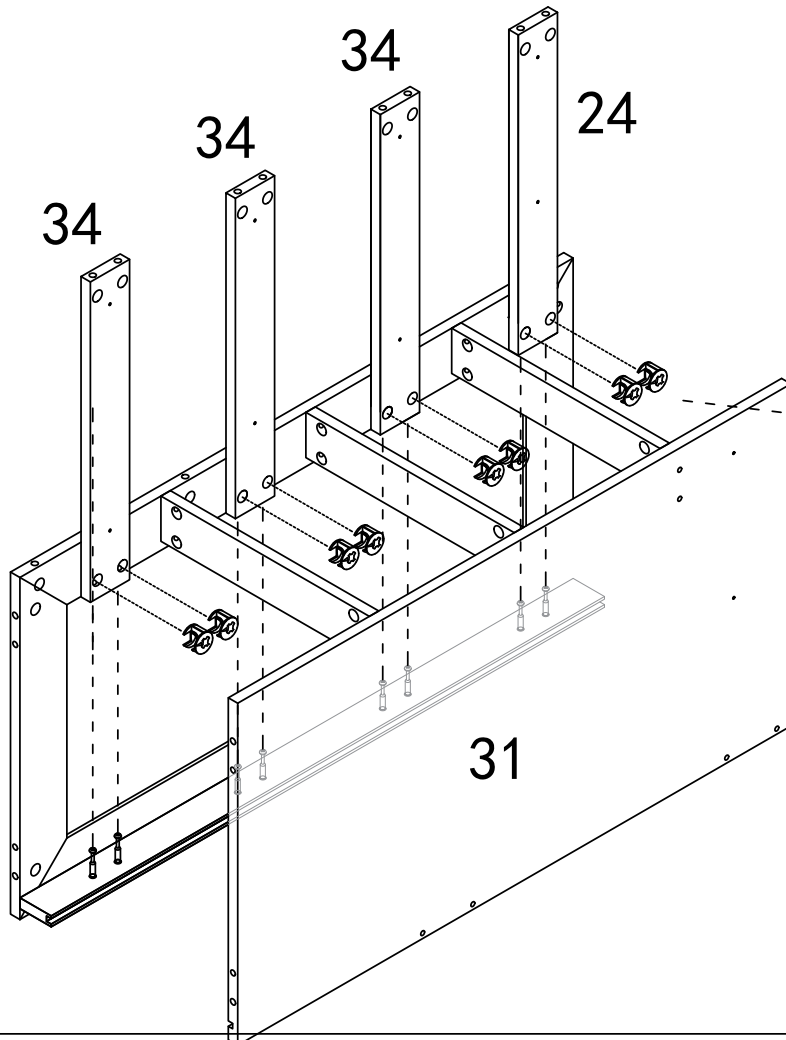



Step 62

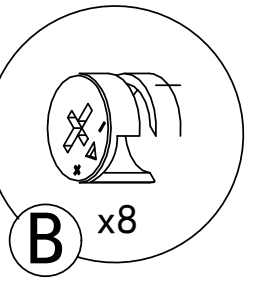


- (B)  x6
- (C)  x4

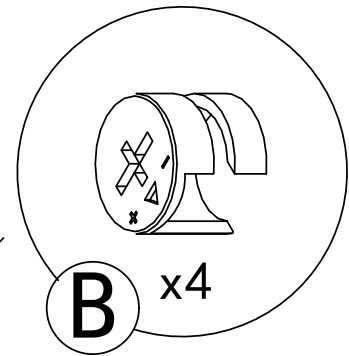
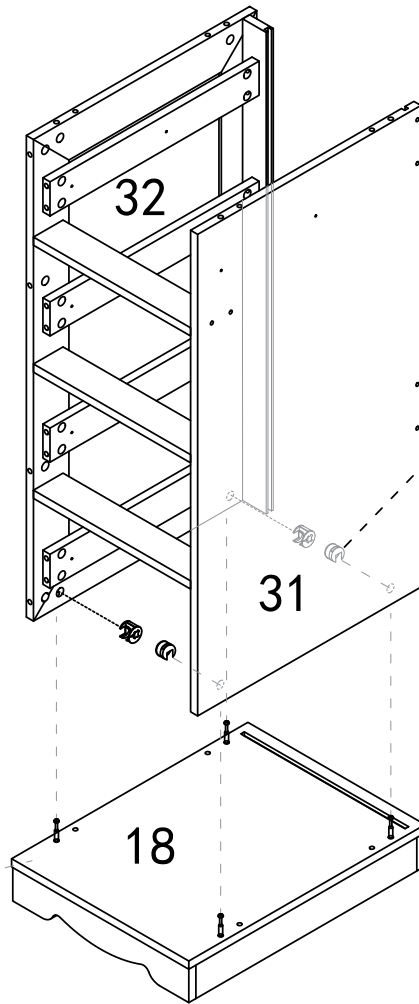
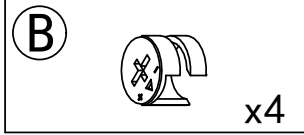
Step 63



- (B)  x8

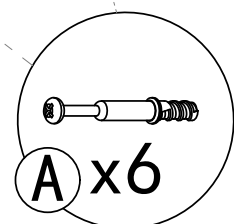
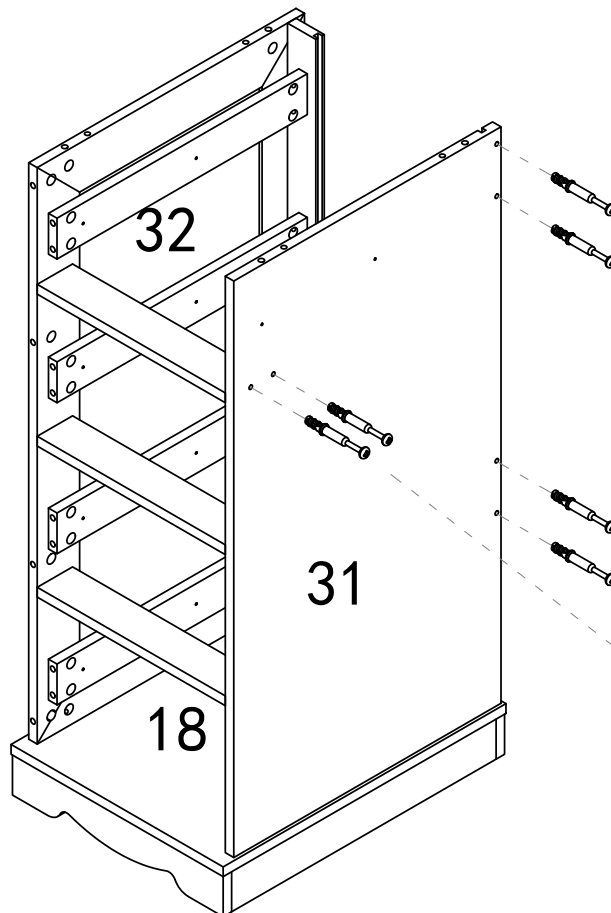
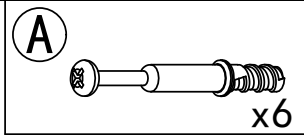


Step 64

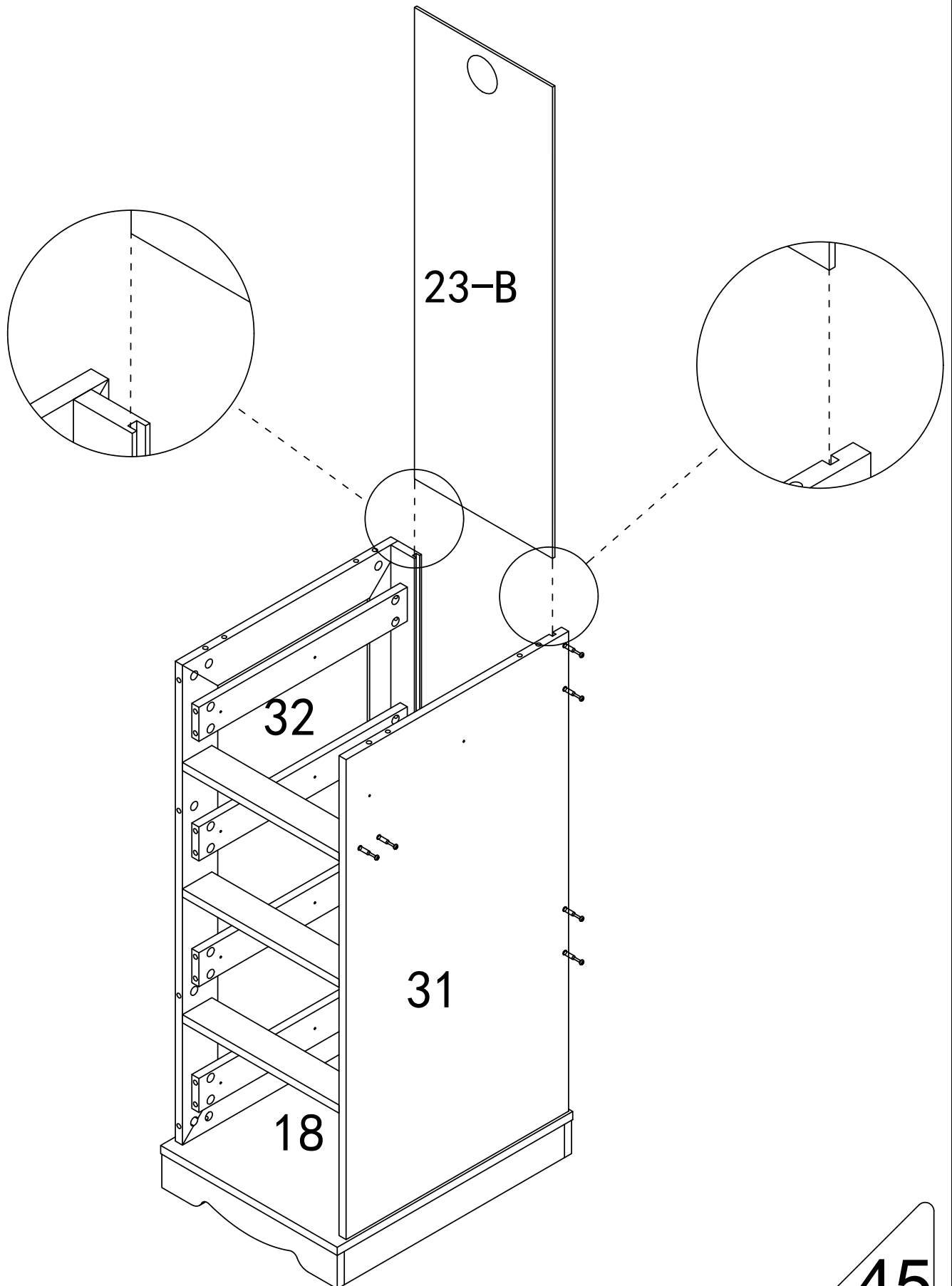


From Step 43

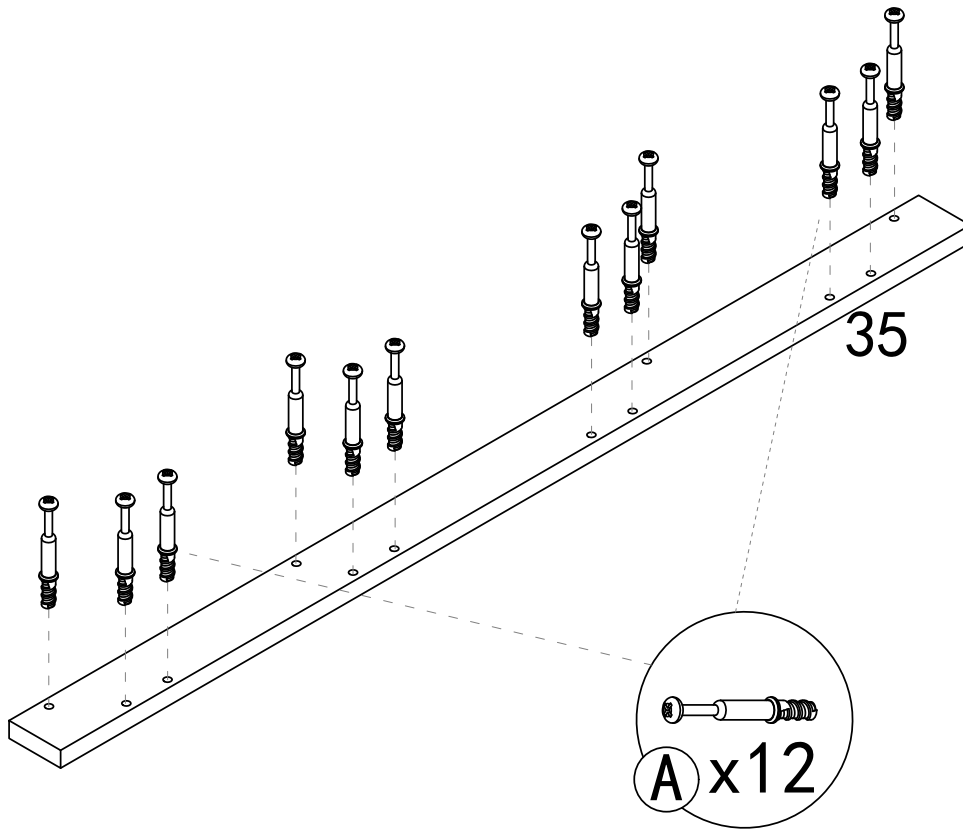
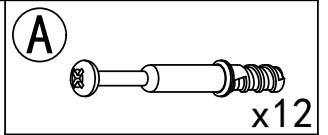
Step 65



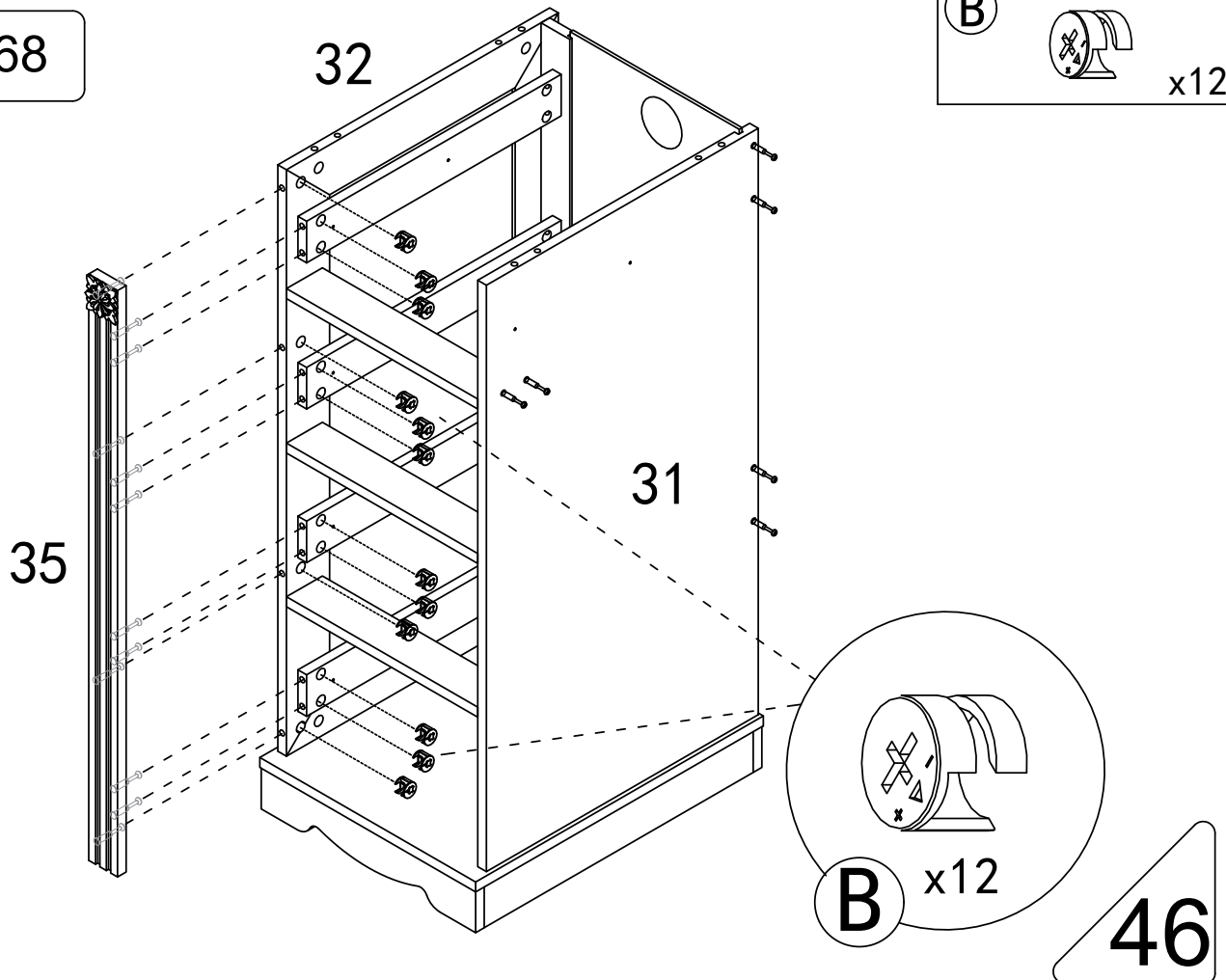
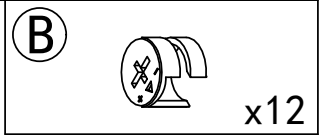
Step 66



Step 67

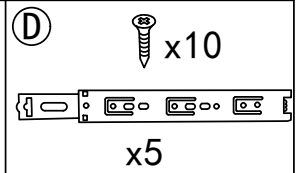
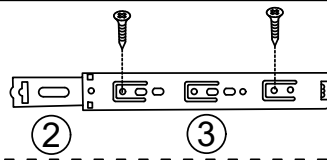


Step 68

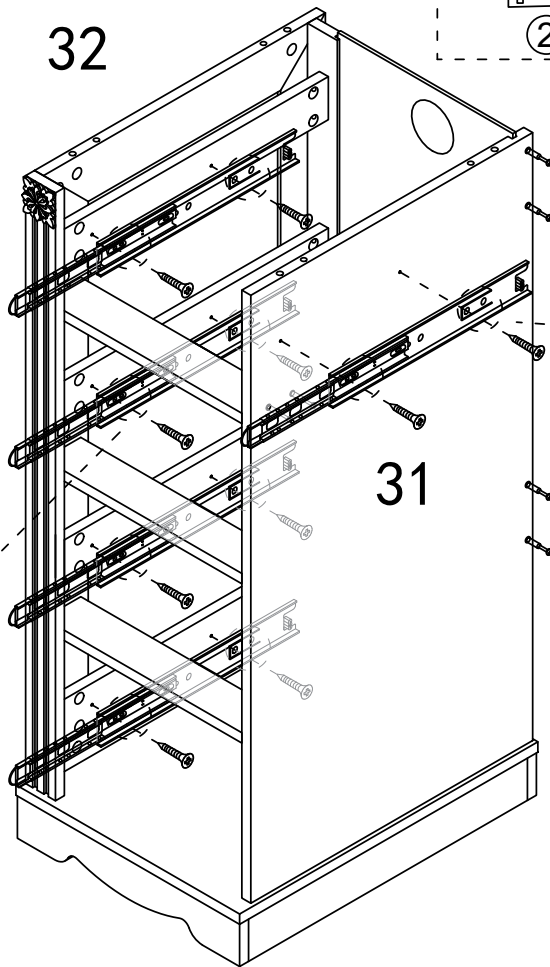


Step 69

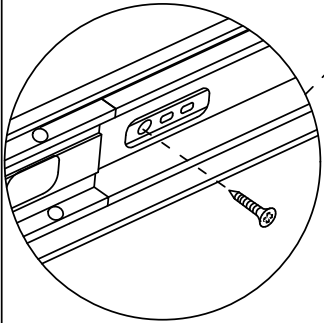
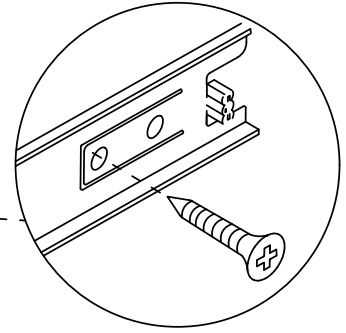
32



x5

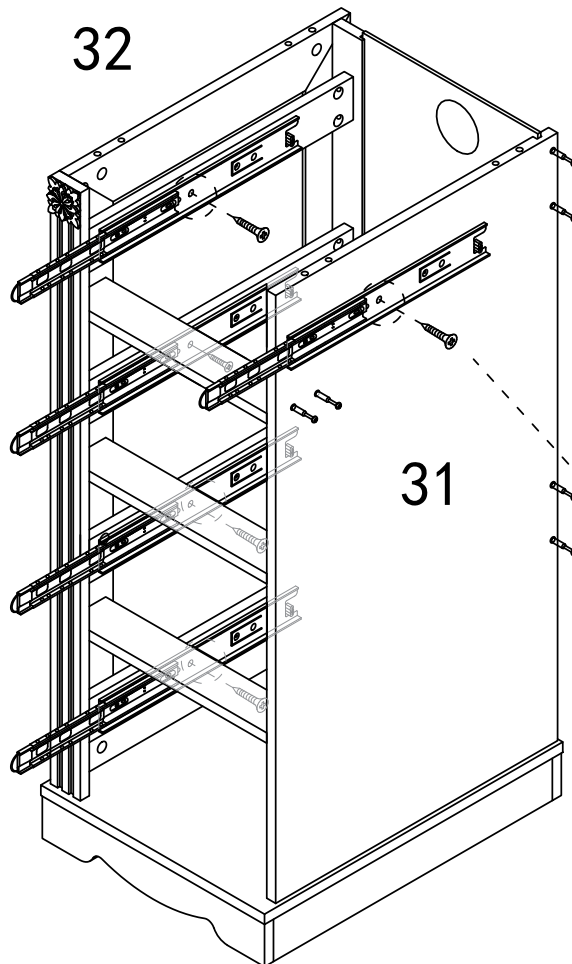
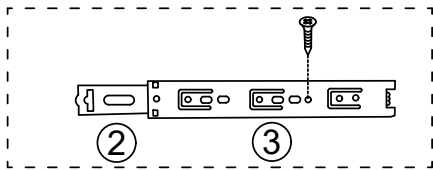
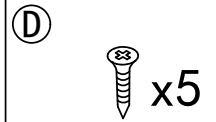


31

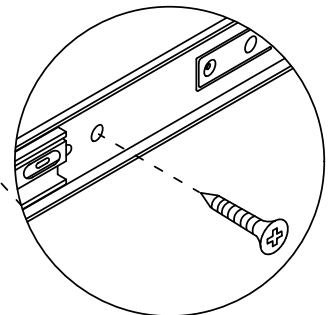


Step 70

32

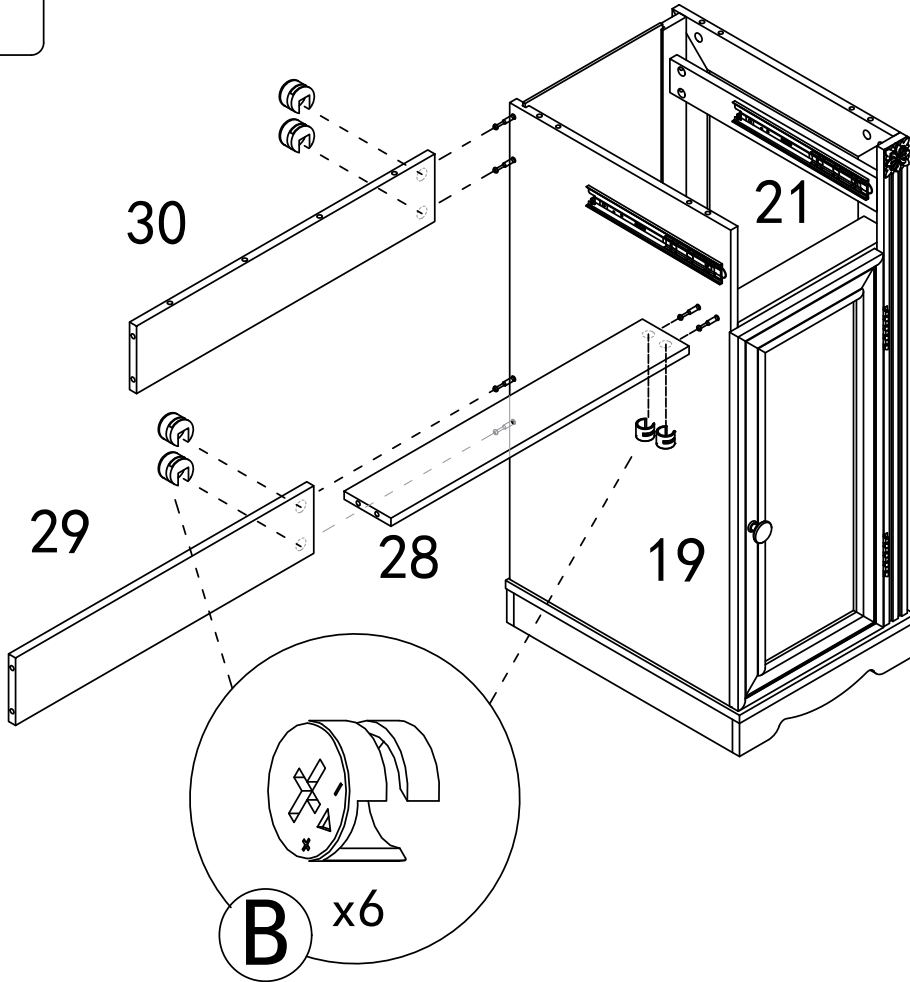
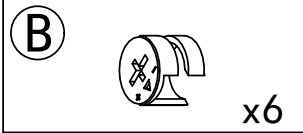


31

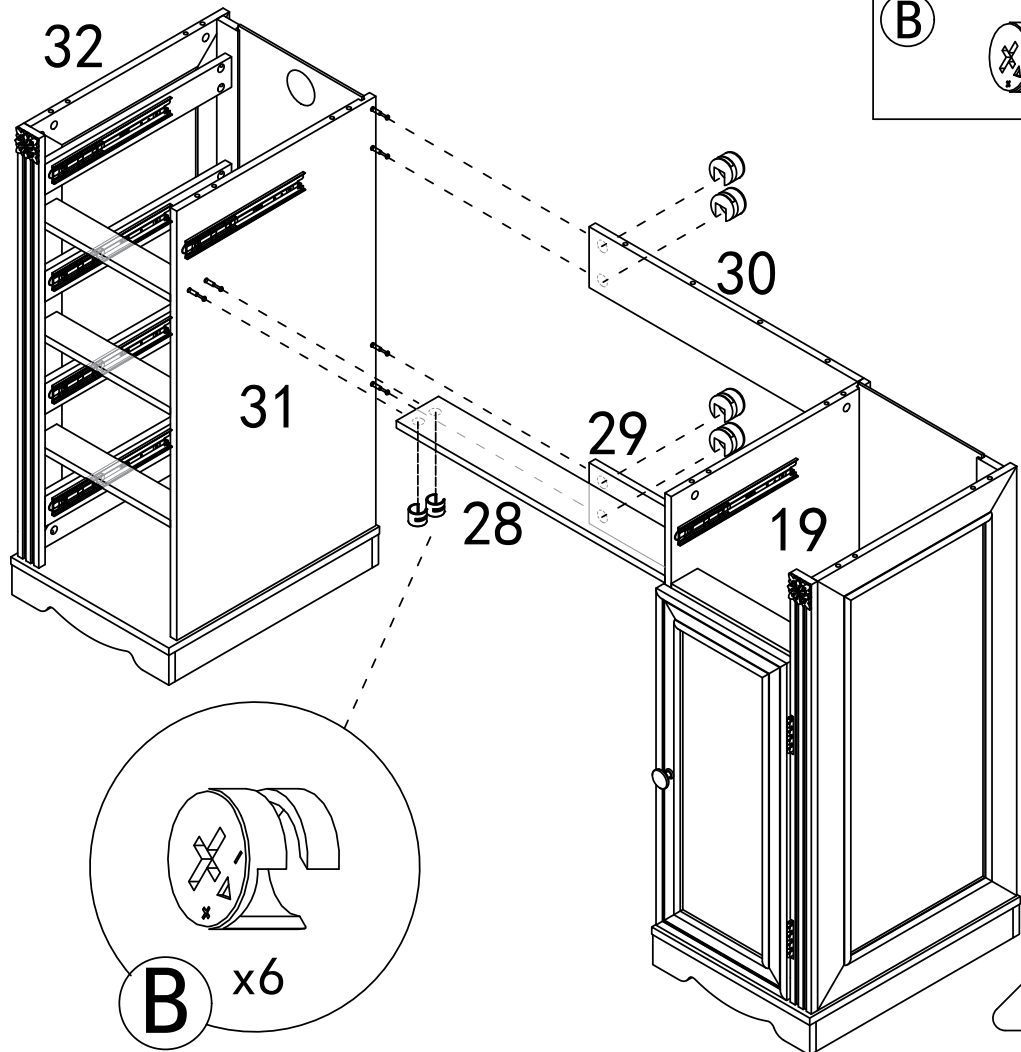
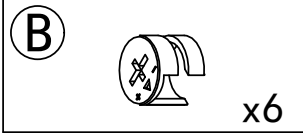


This hole is for strengthening fixed hole customers can choose to install according to their needs.

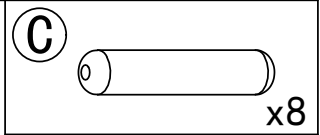
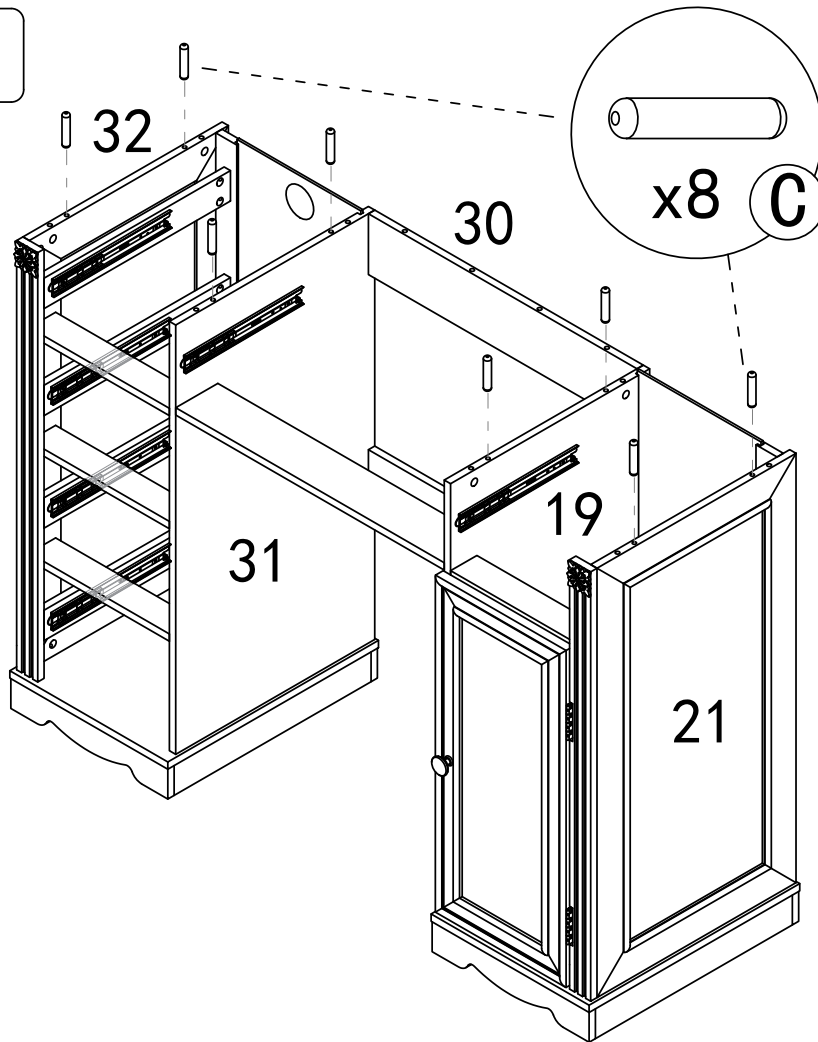
Step 71



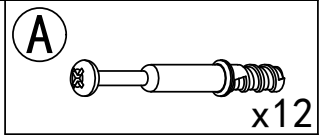
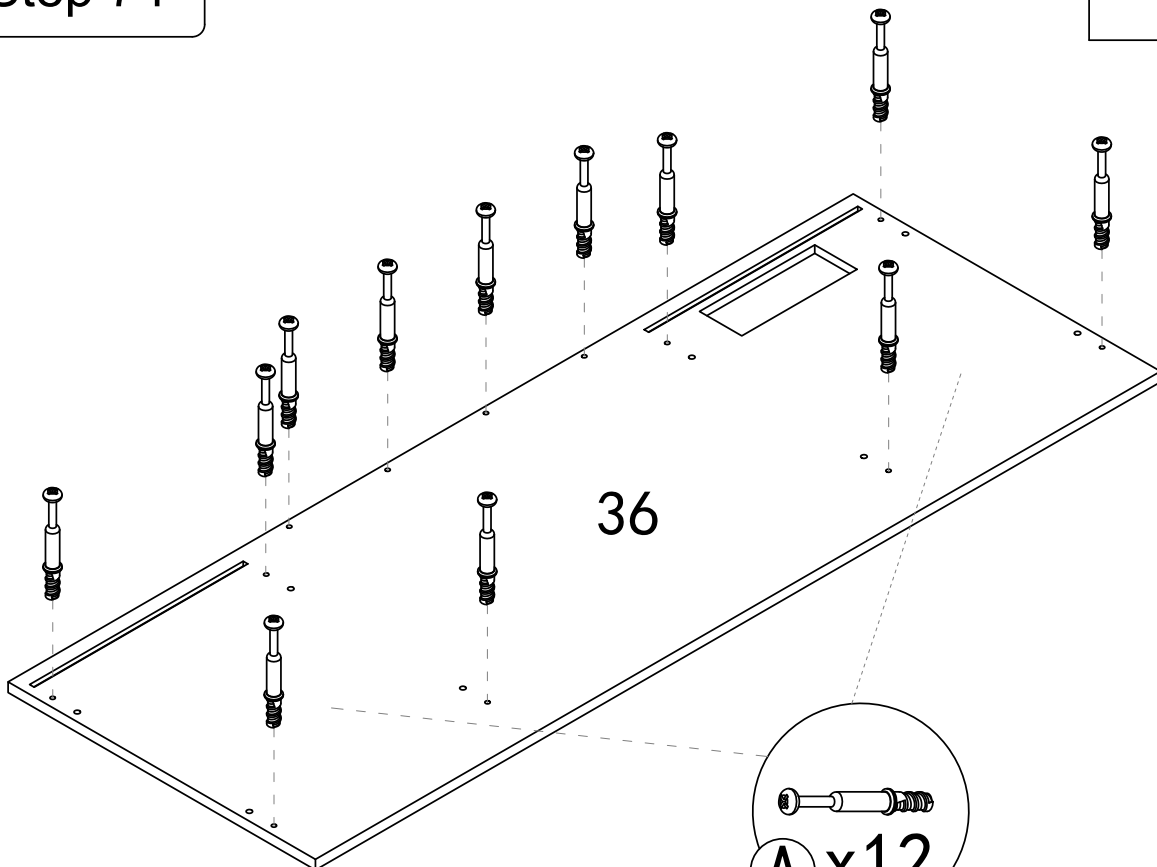
Step 72



Step 73



Step 74

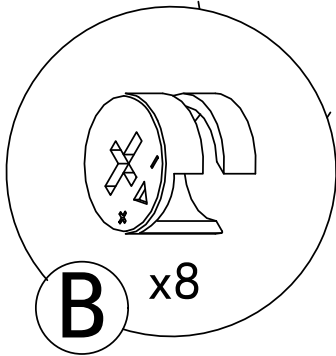
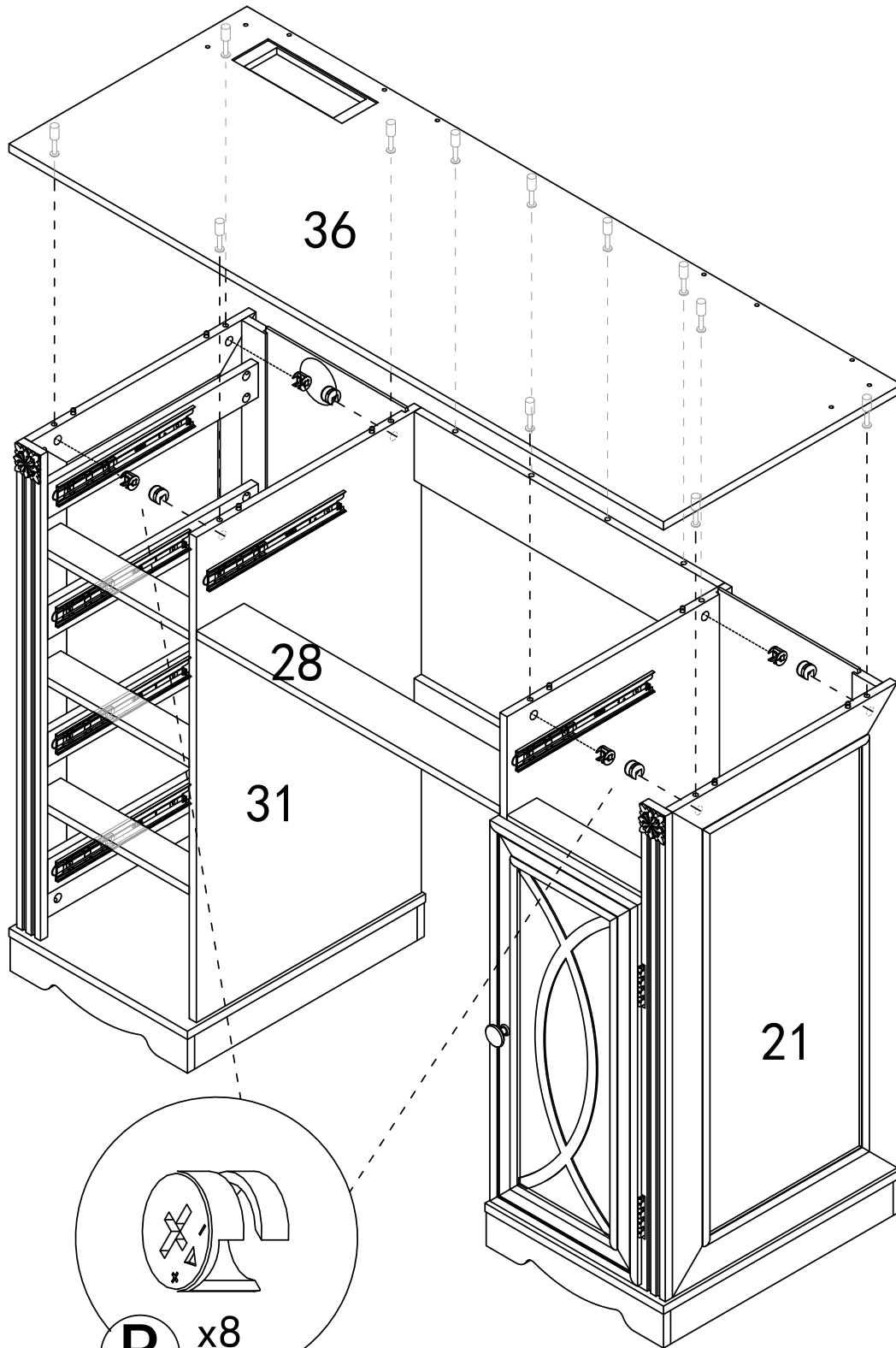


Step 75

B




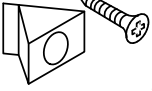
x8

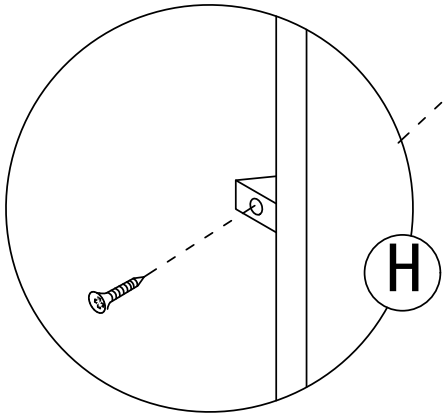
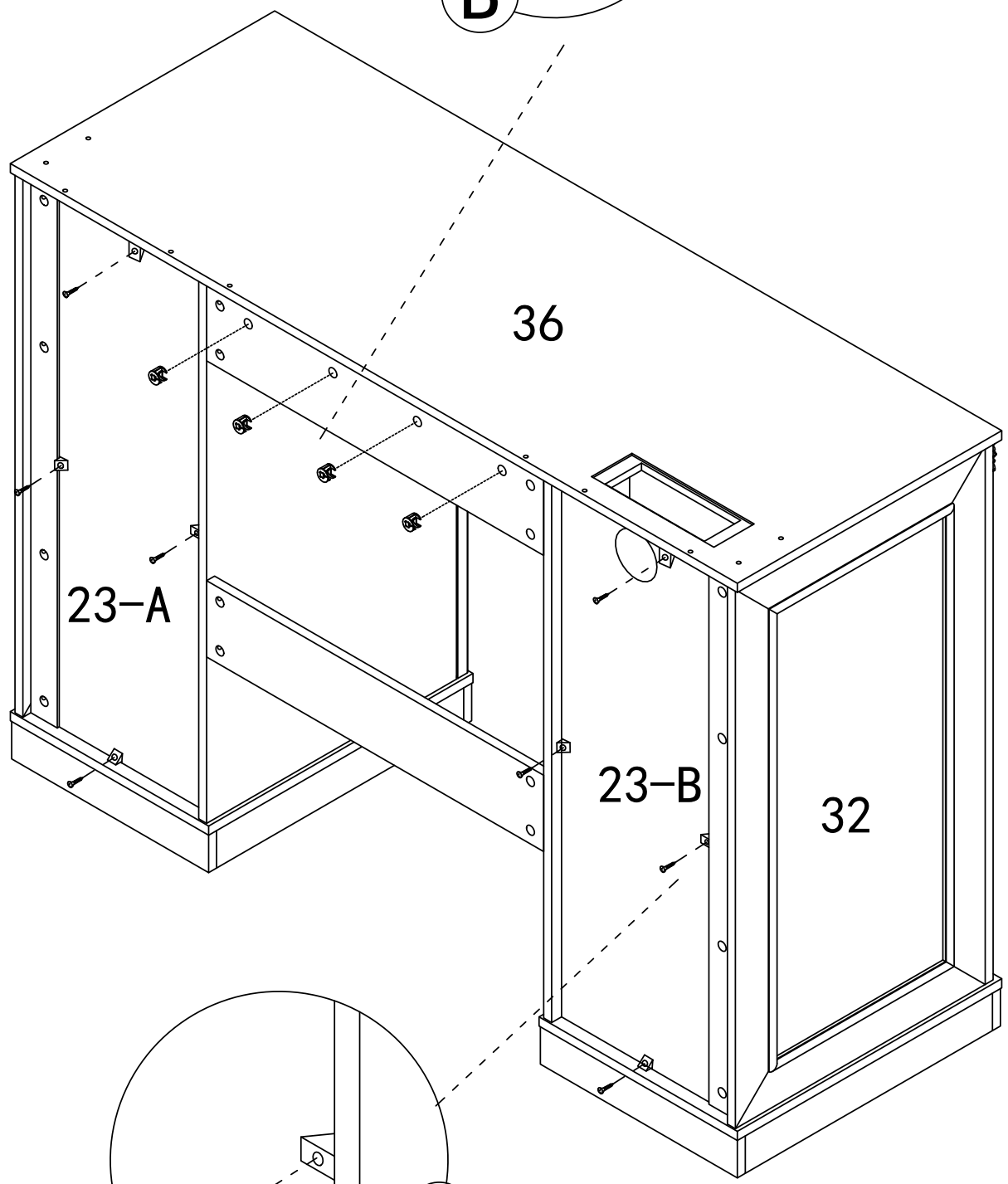
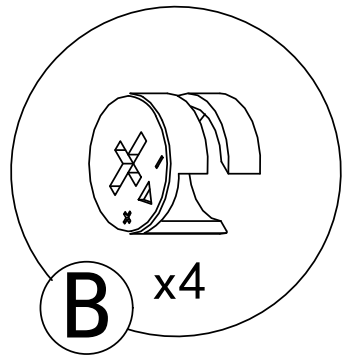


B

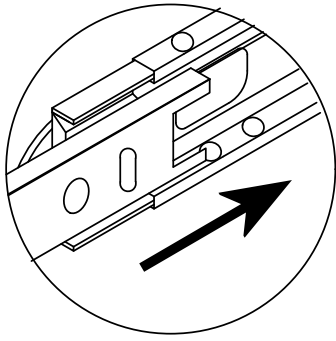
x8

Step 76

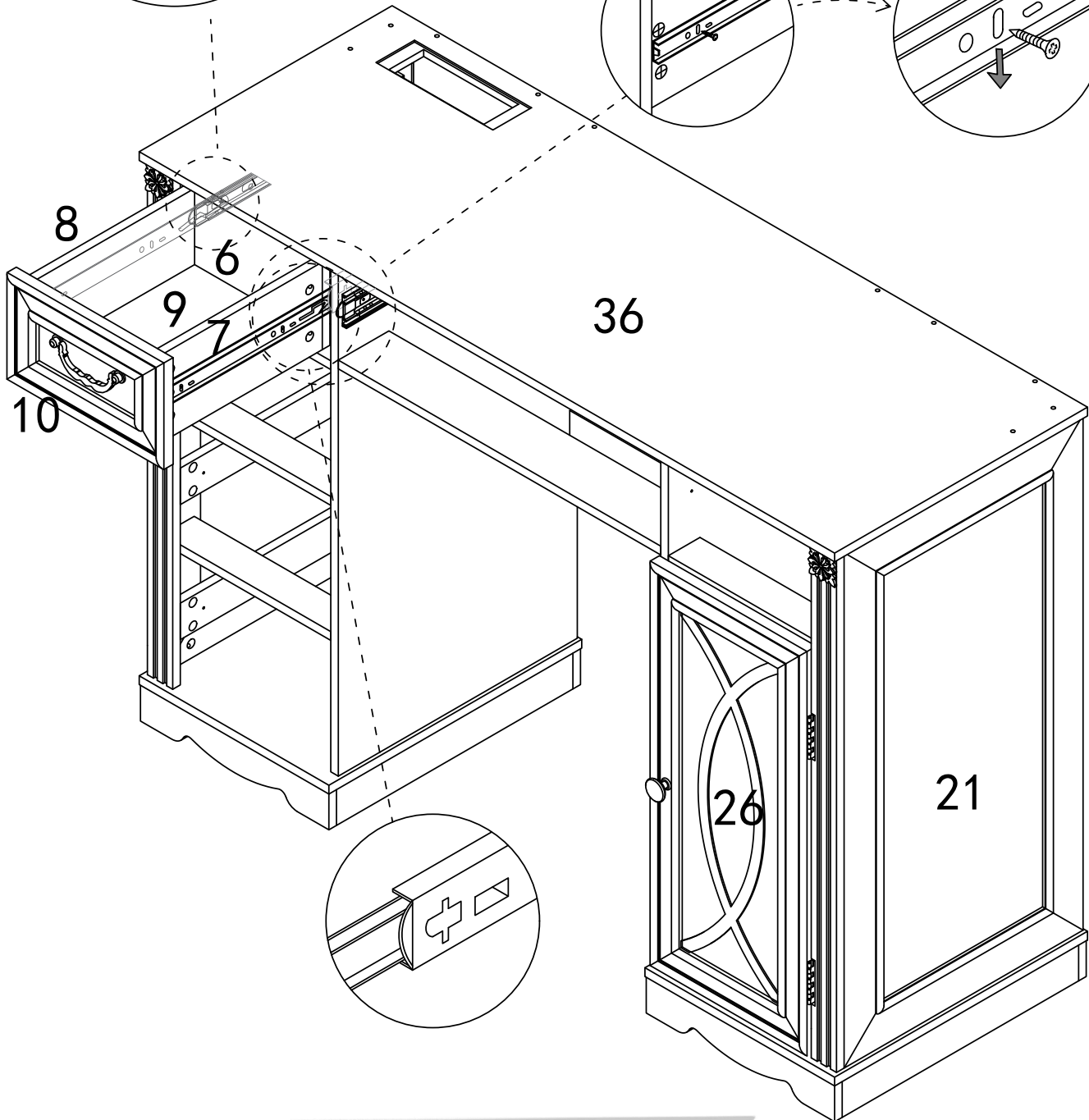
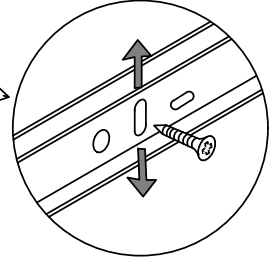
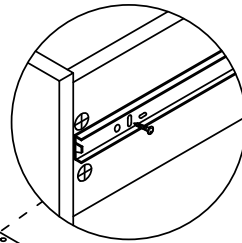
- B**  x4
- H**  x8



Step 77



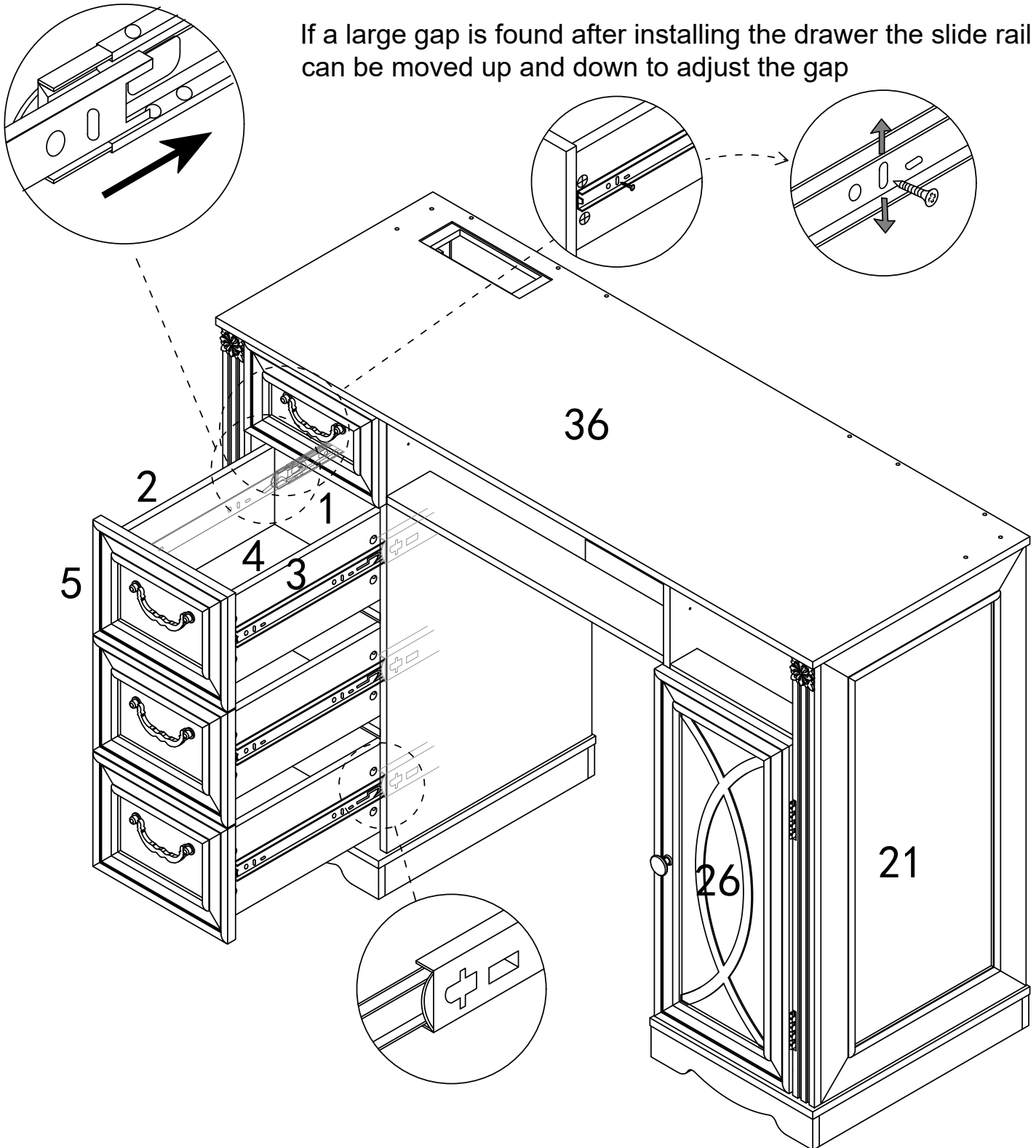
If a large gap is found after installing the drawer the slide rail can be moved up and down to adjust the gap



As shown, When installing the drawer, pull the guide rail out first, Slide beads are also pulled out.

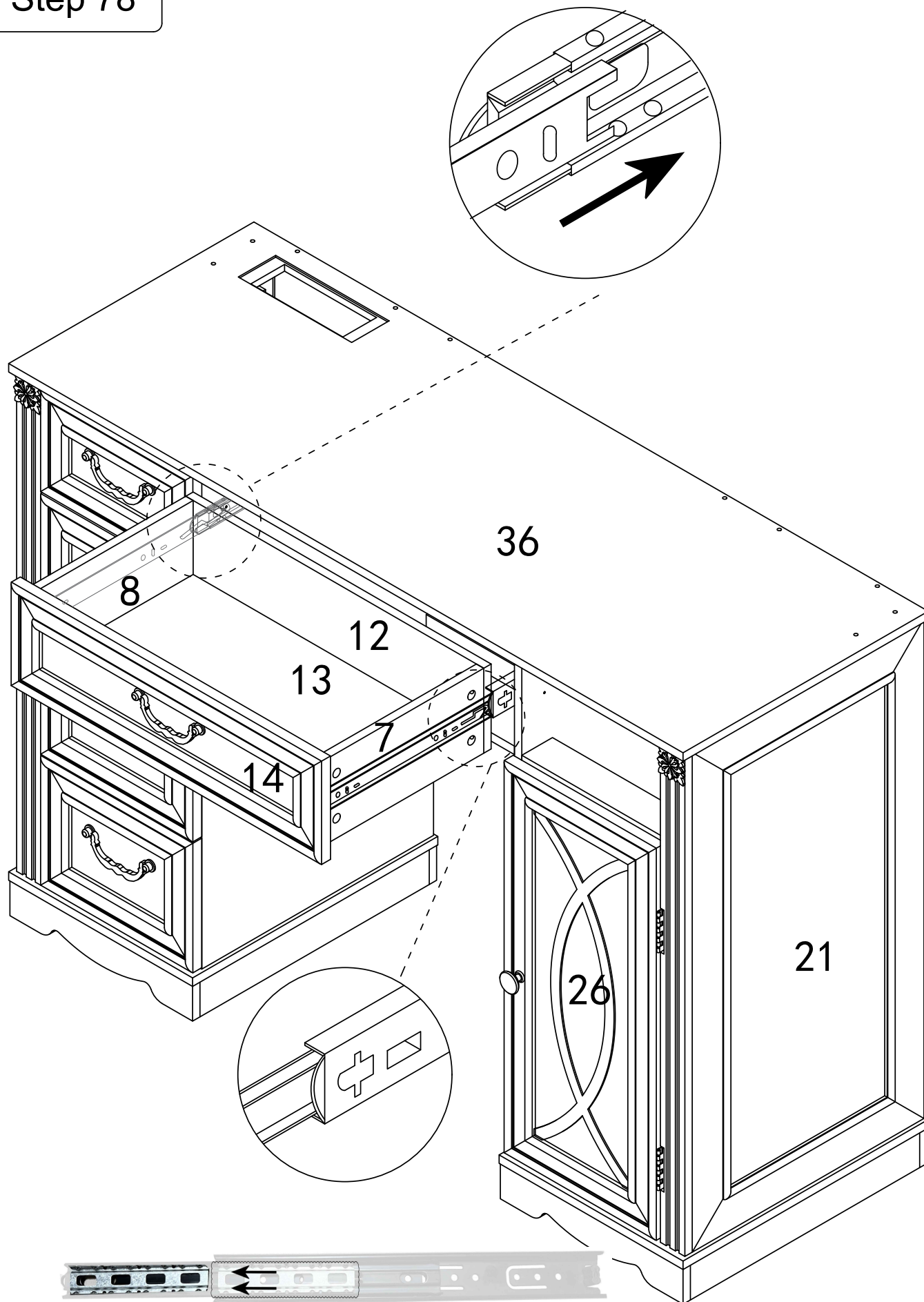
Step 77

If a large gap is found after installing the drawer the slide rail can be moved up and down to adjust the gap



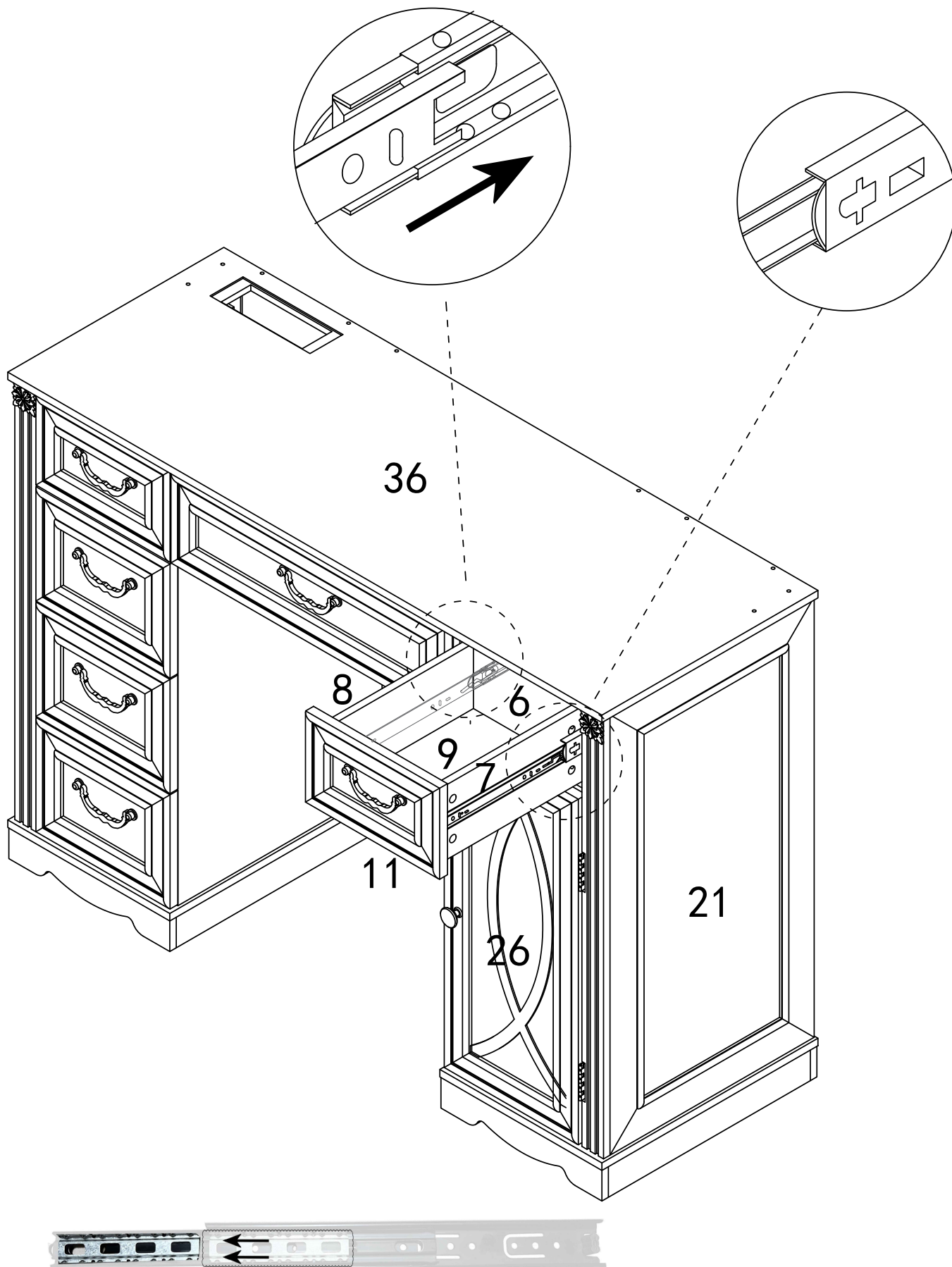
As shown, When installing the drawer, pull the guide rail out first, Slide beads are also pulled out.

Step 78



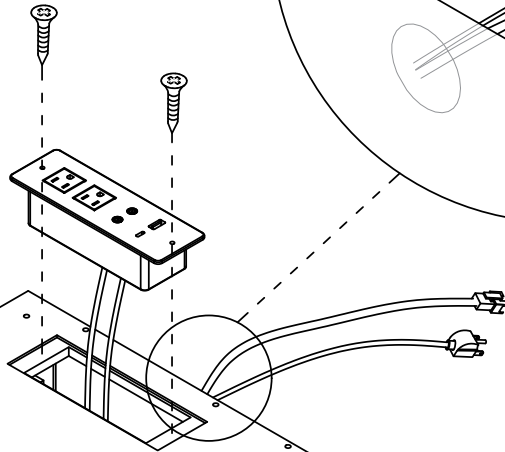
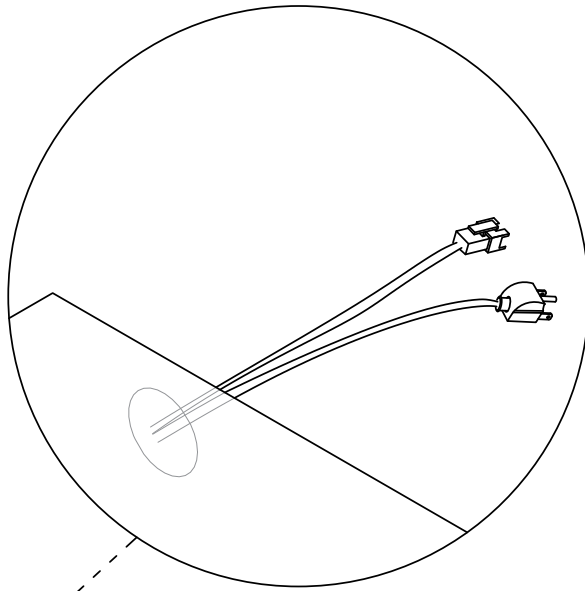
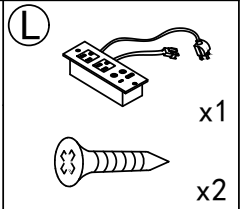
As shown, When installing the drawer, pull the guide rail out first, Slide beads are also pulled out.

Step 78

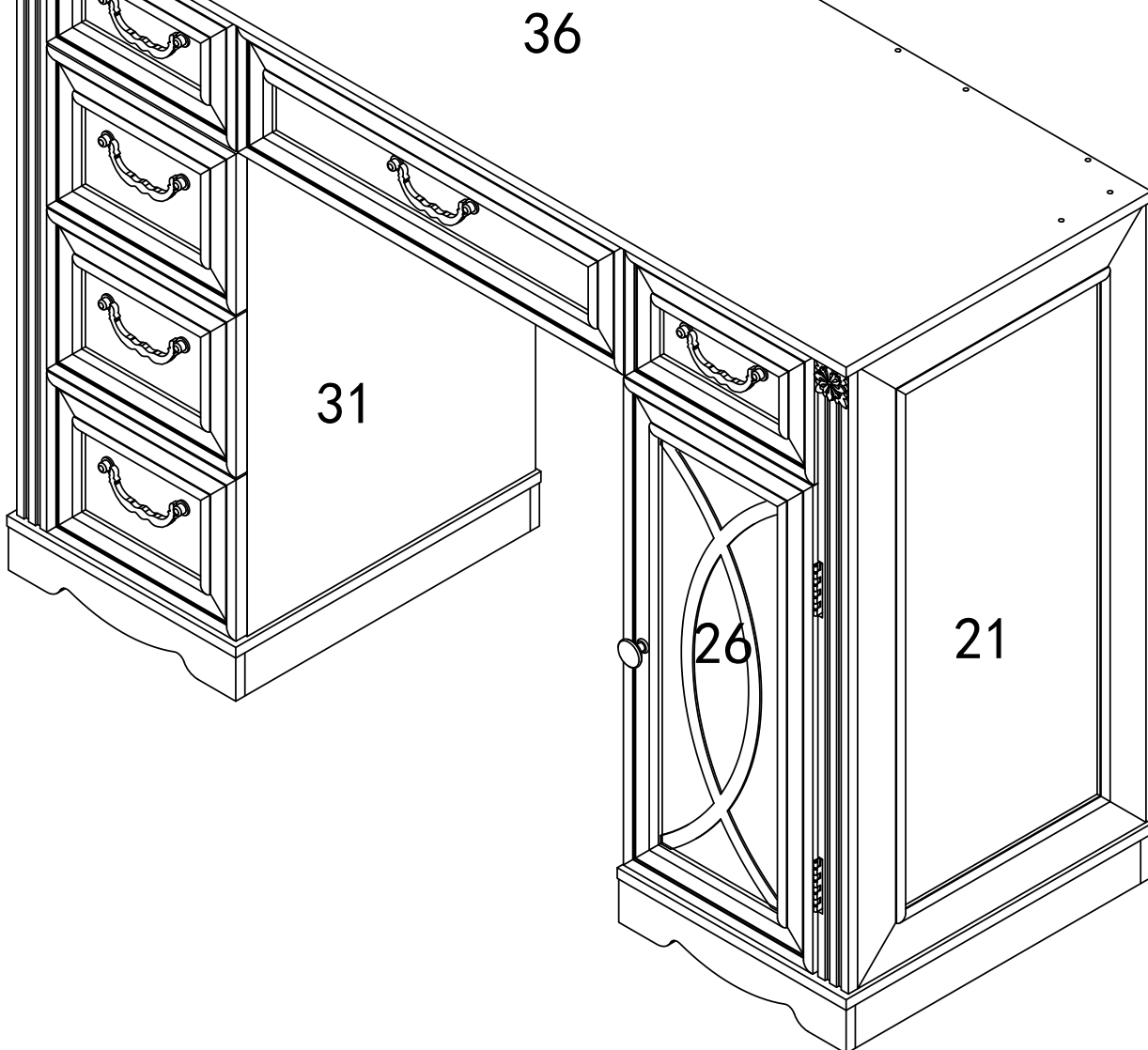


As shown, When installing the drawer, pull the guide rail out first, Slide beads are also pulled out.

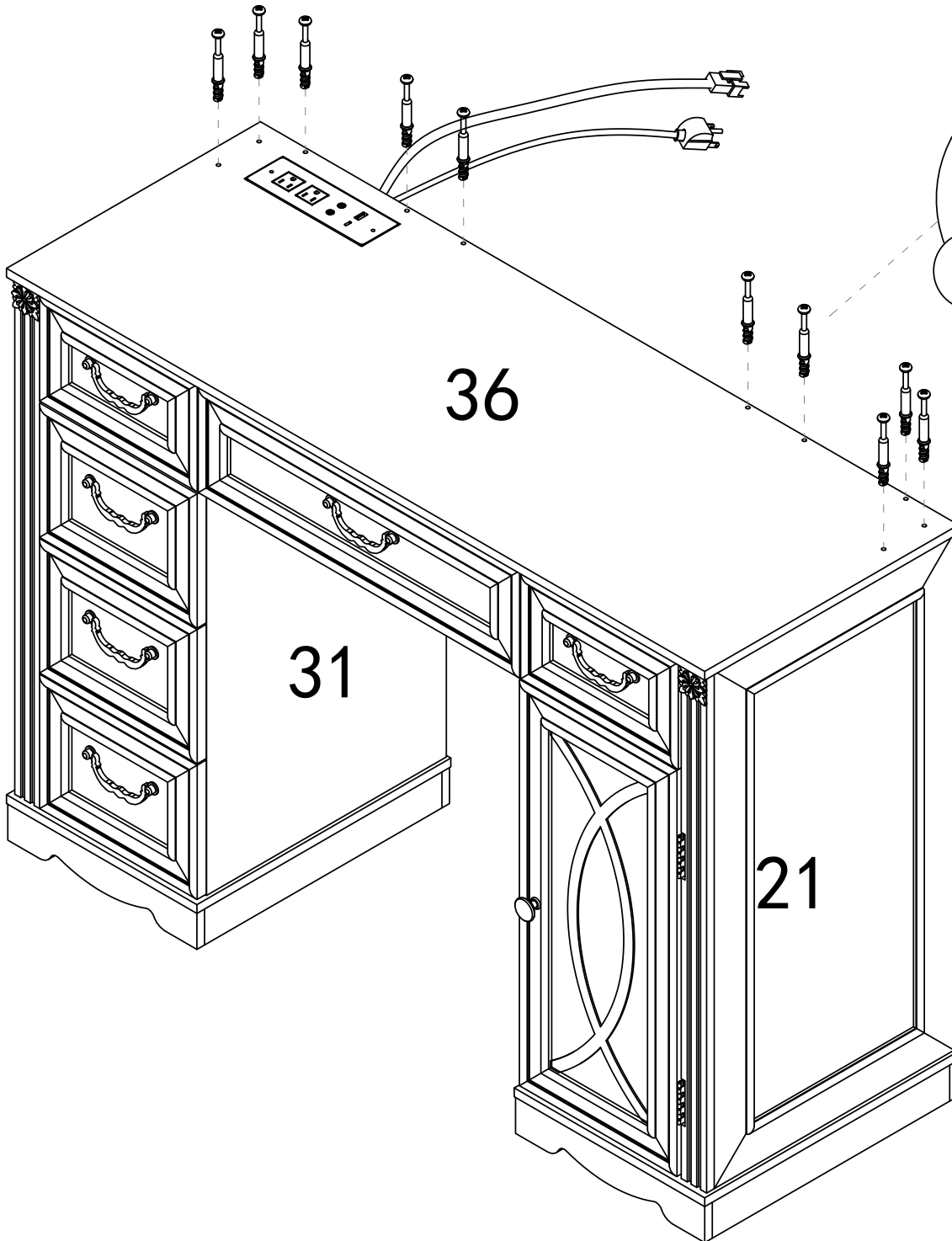
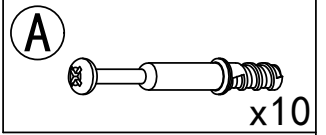
Step 79

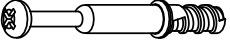




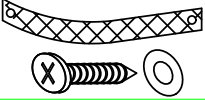



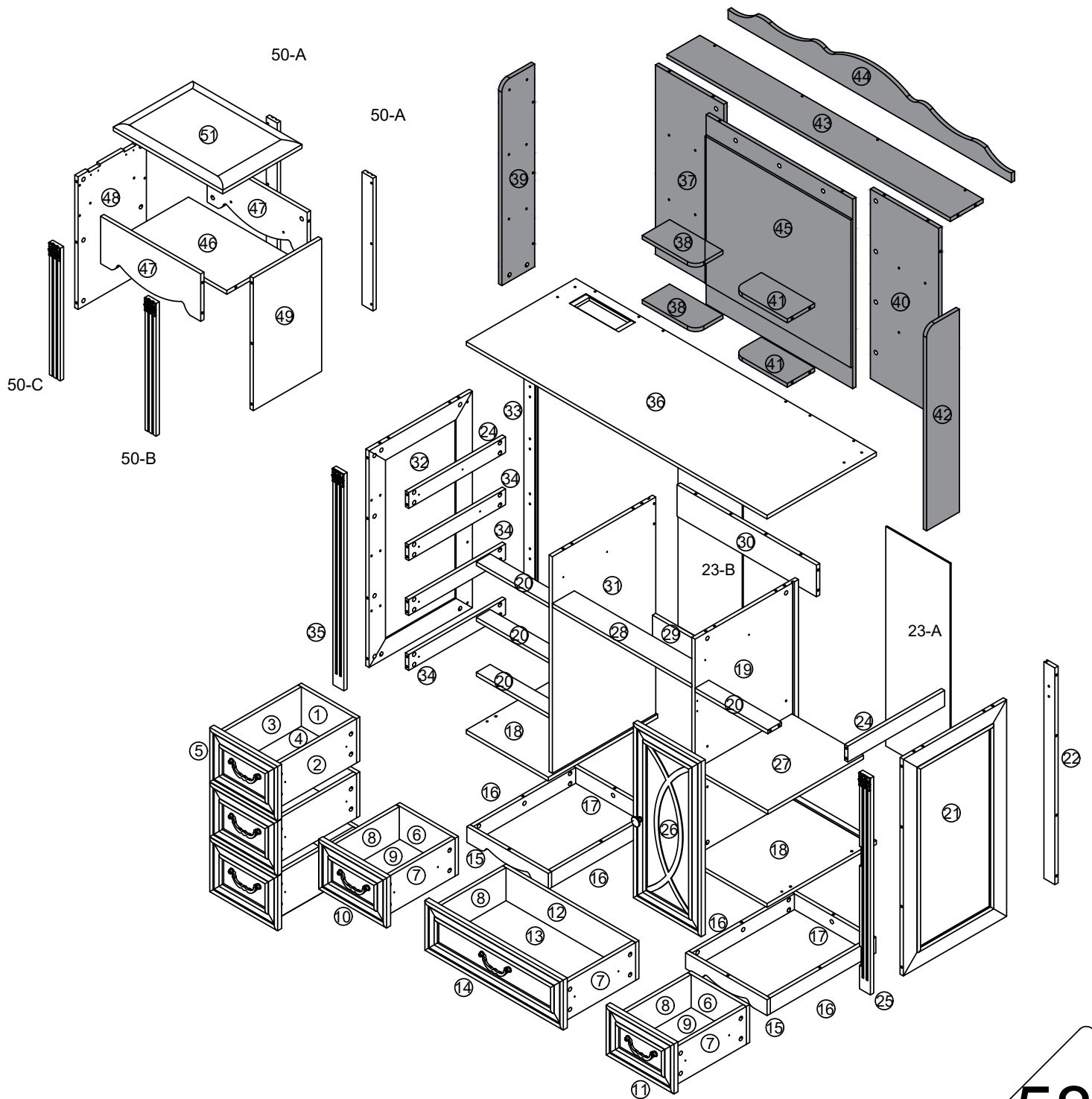
Thread the Lamp power cord through the hole on board No.23-B



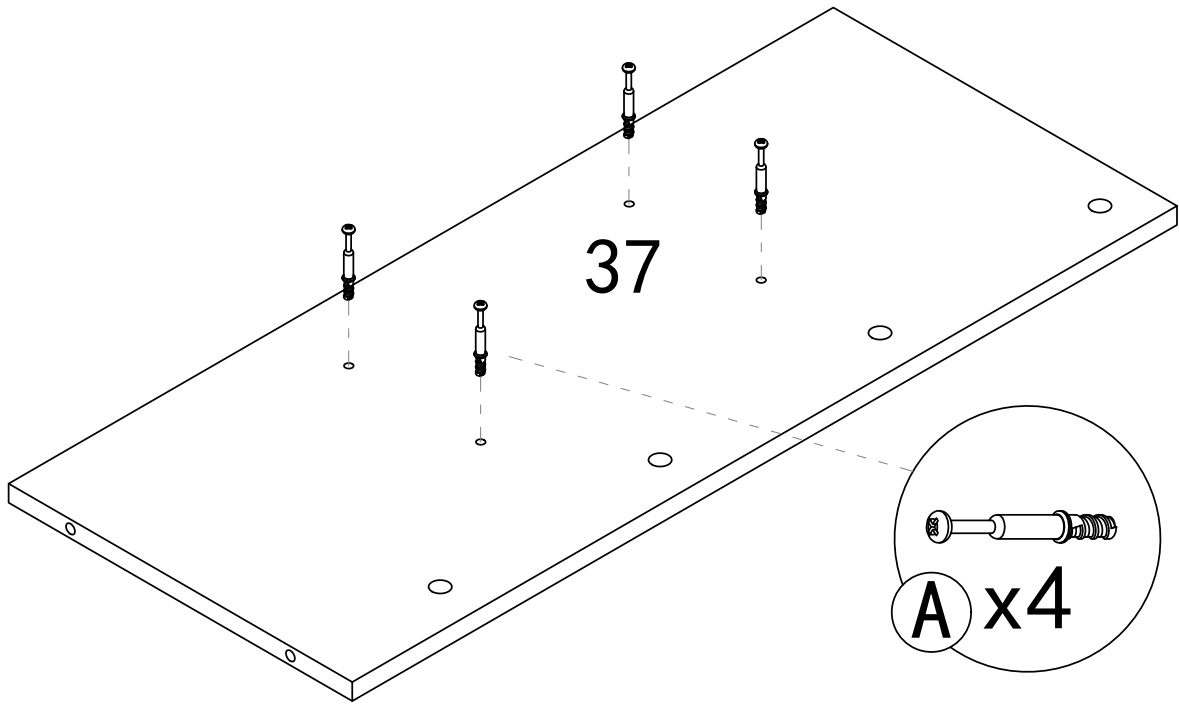
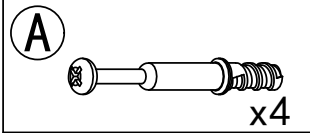
Step 80



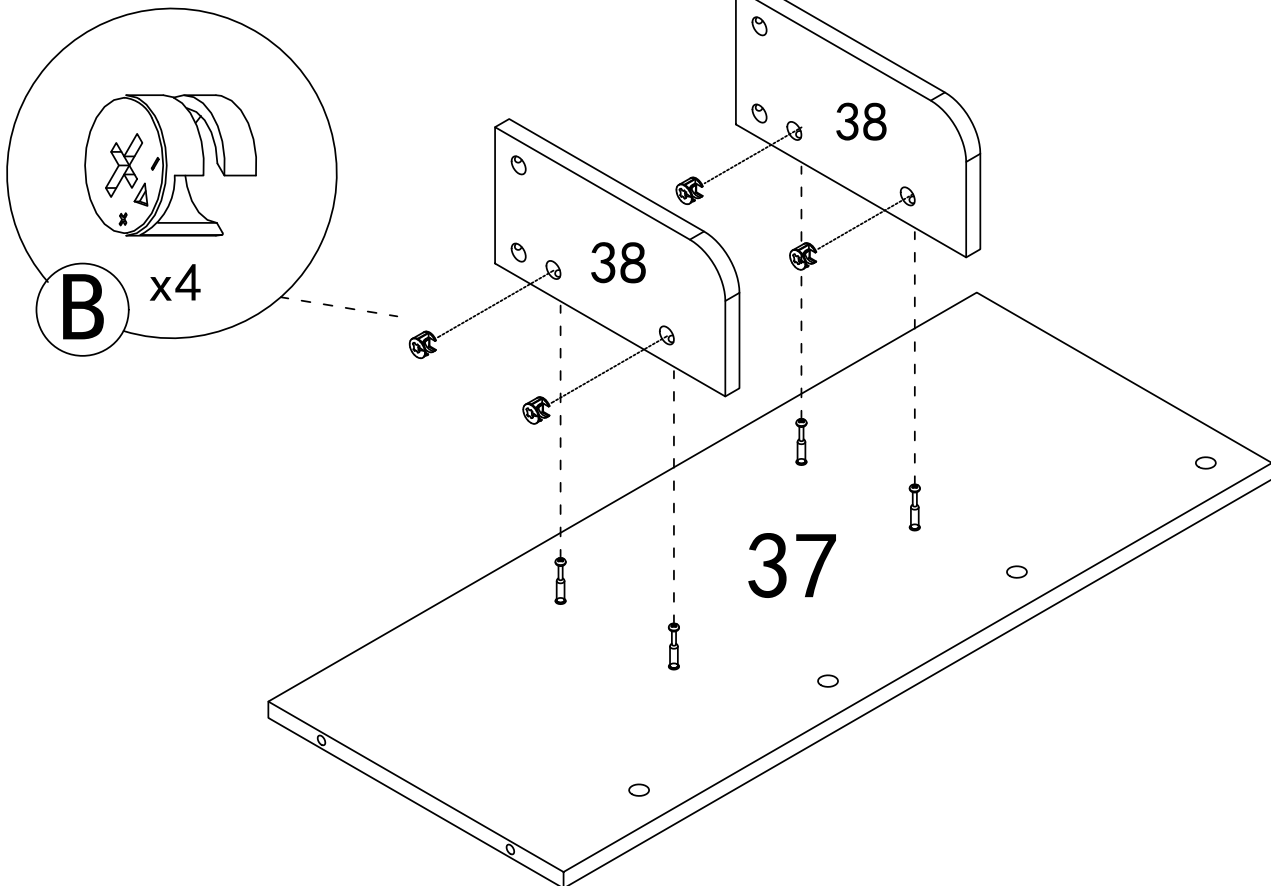
A		36pcs	B		46pcs	M		1pcs
M		11pcs	N		10pcs	P		1pcs
Q		1pcs						



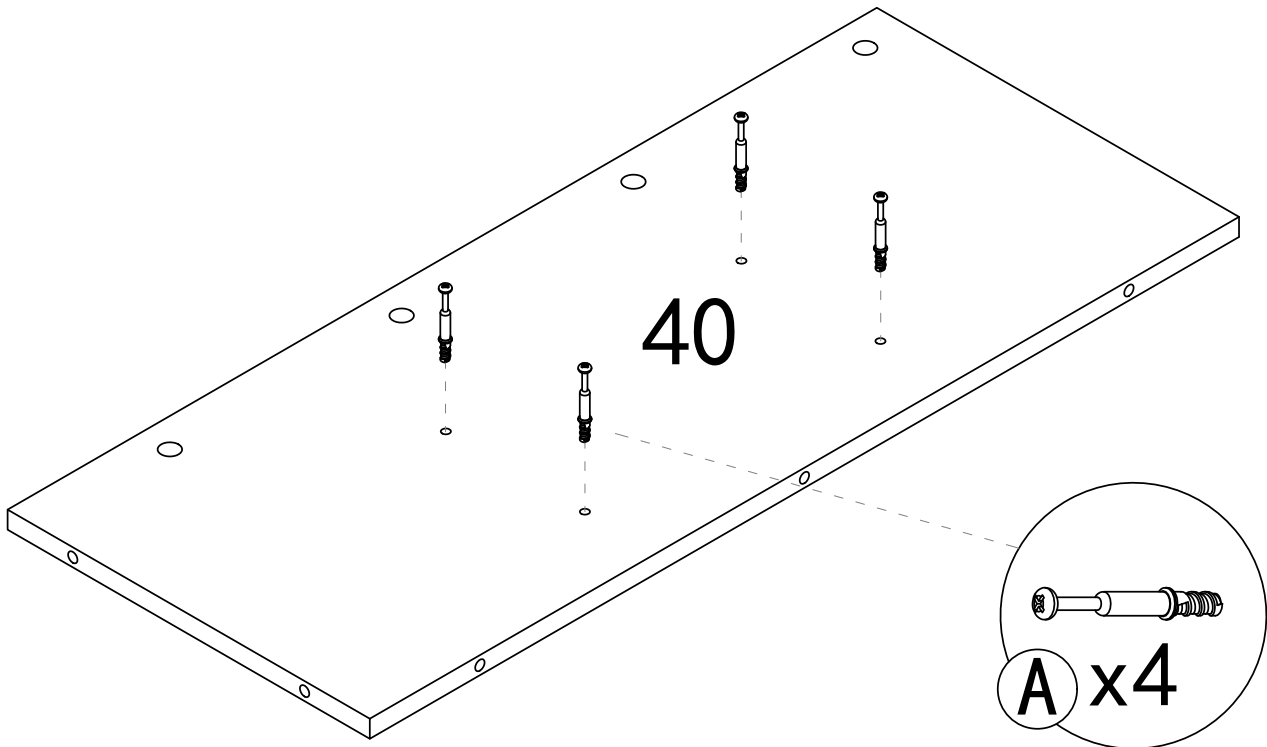
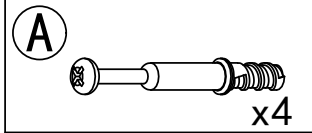
Step 81



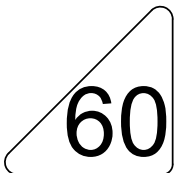
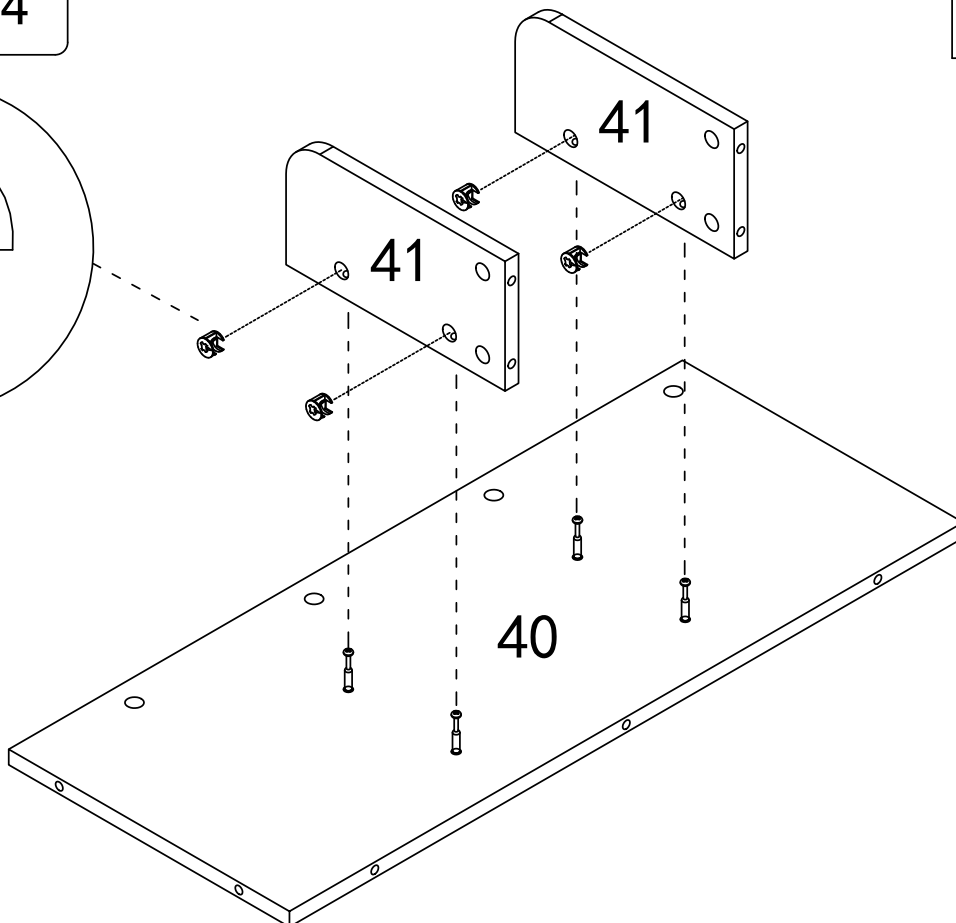
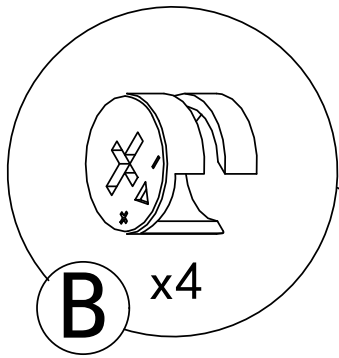
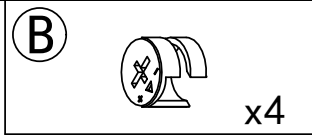
Step 82



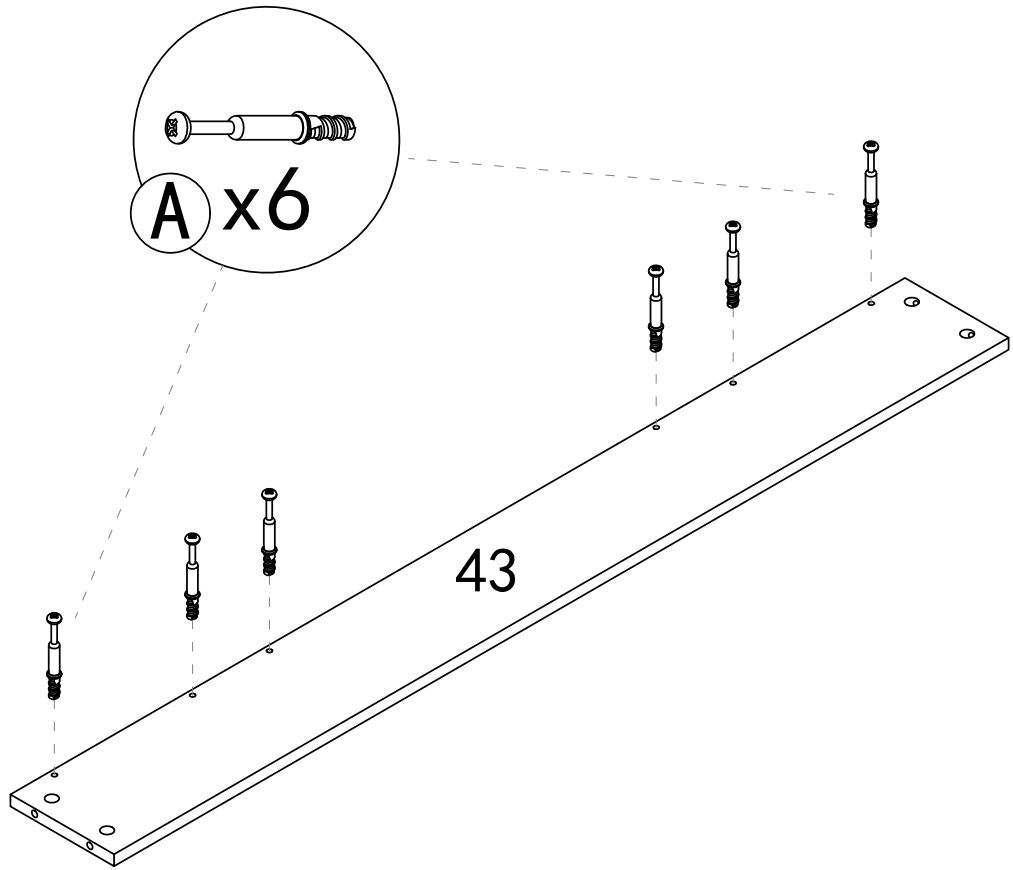
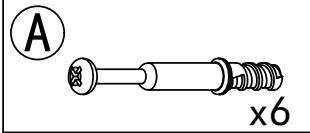
Step 83



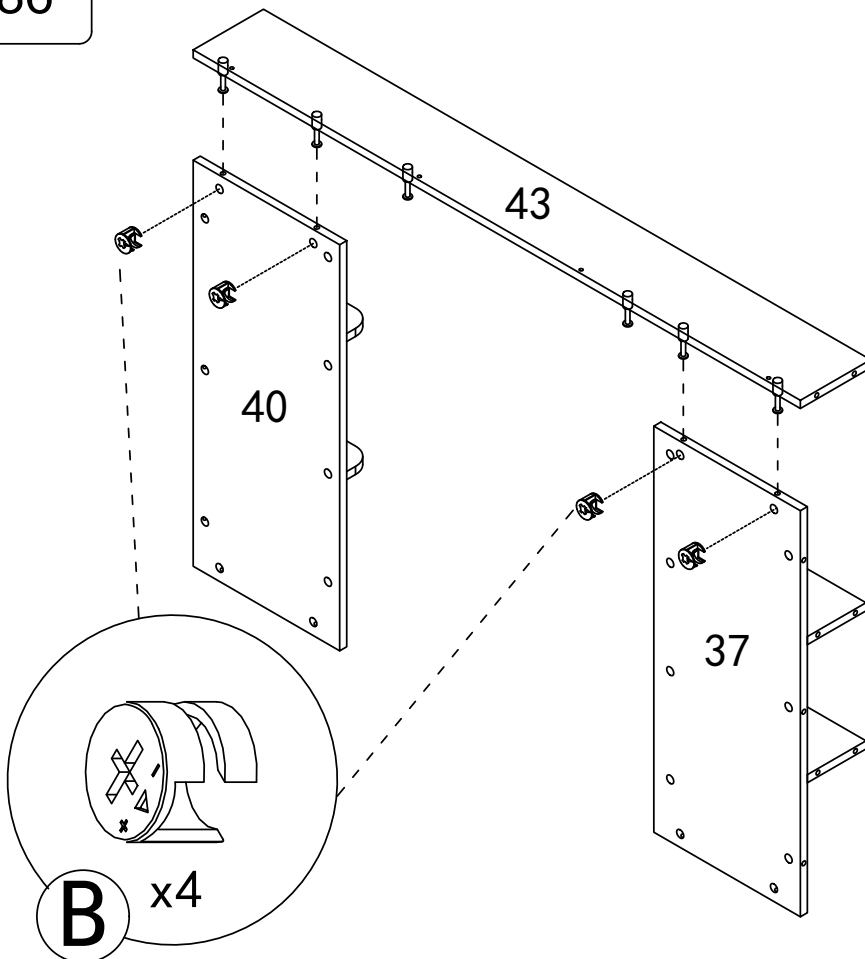
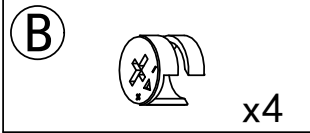
Step 84



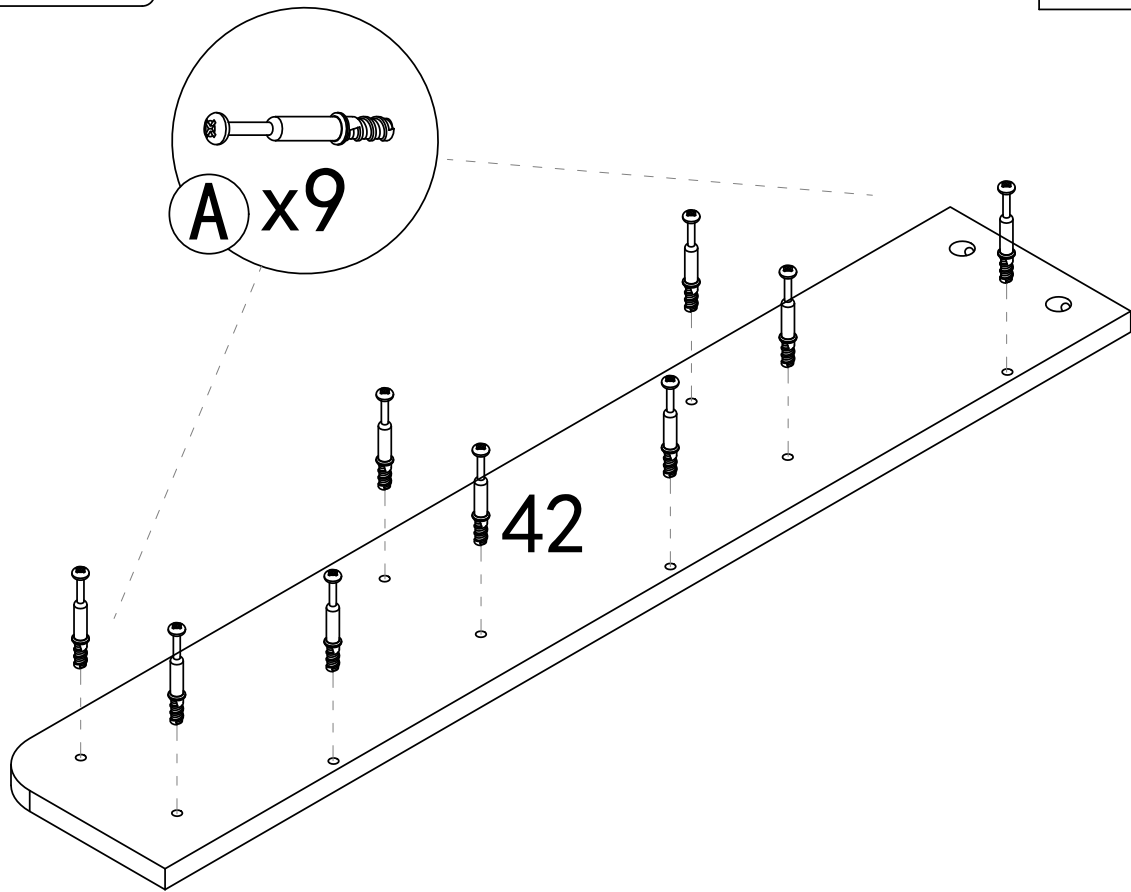
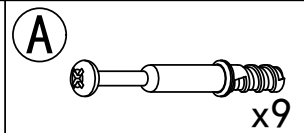
Step 85



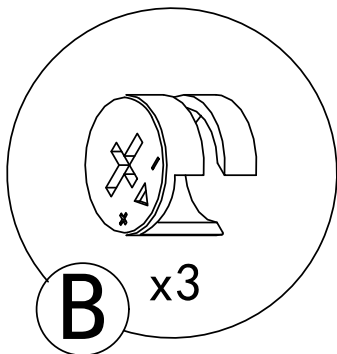
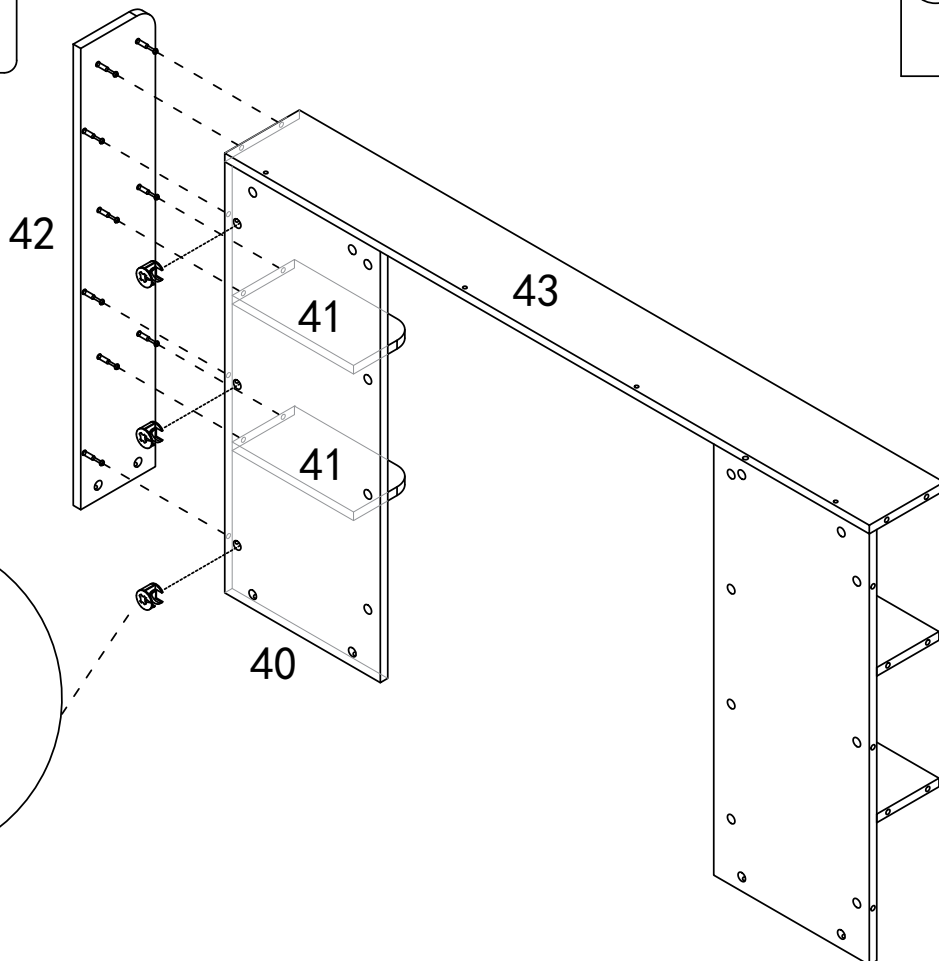
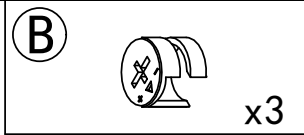
Step 86



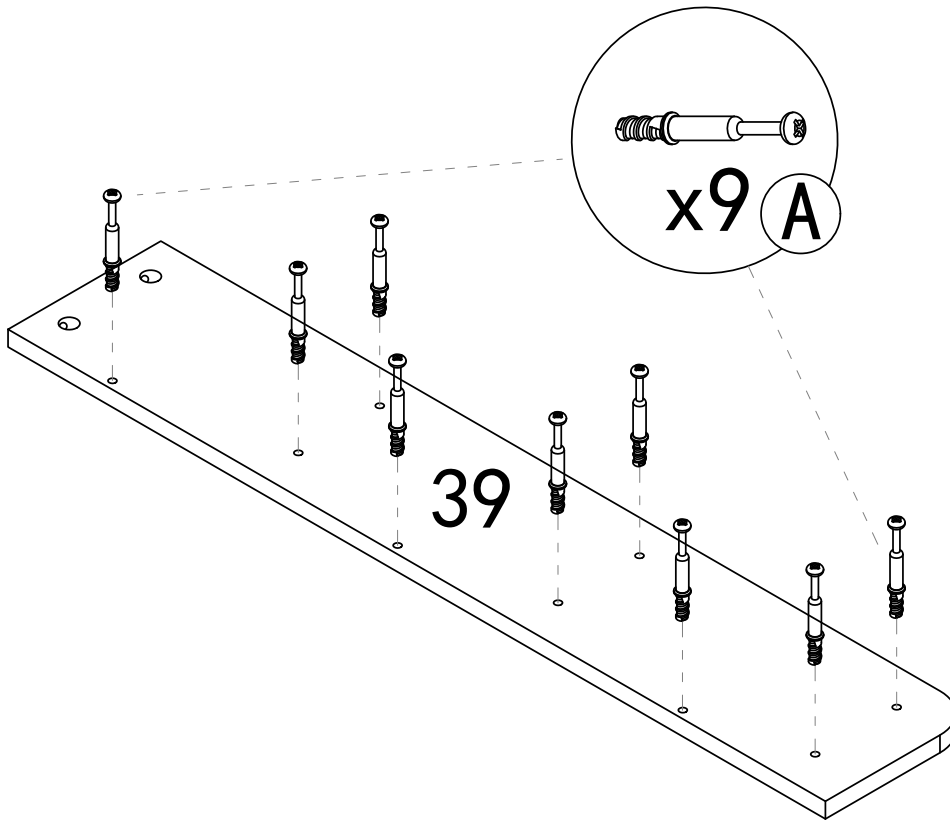
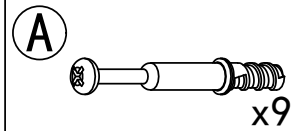
Step 87



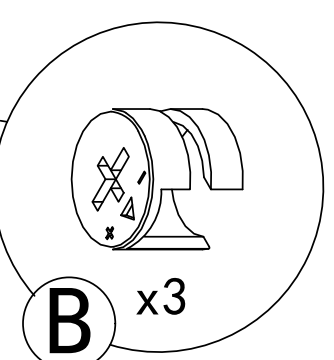
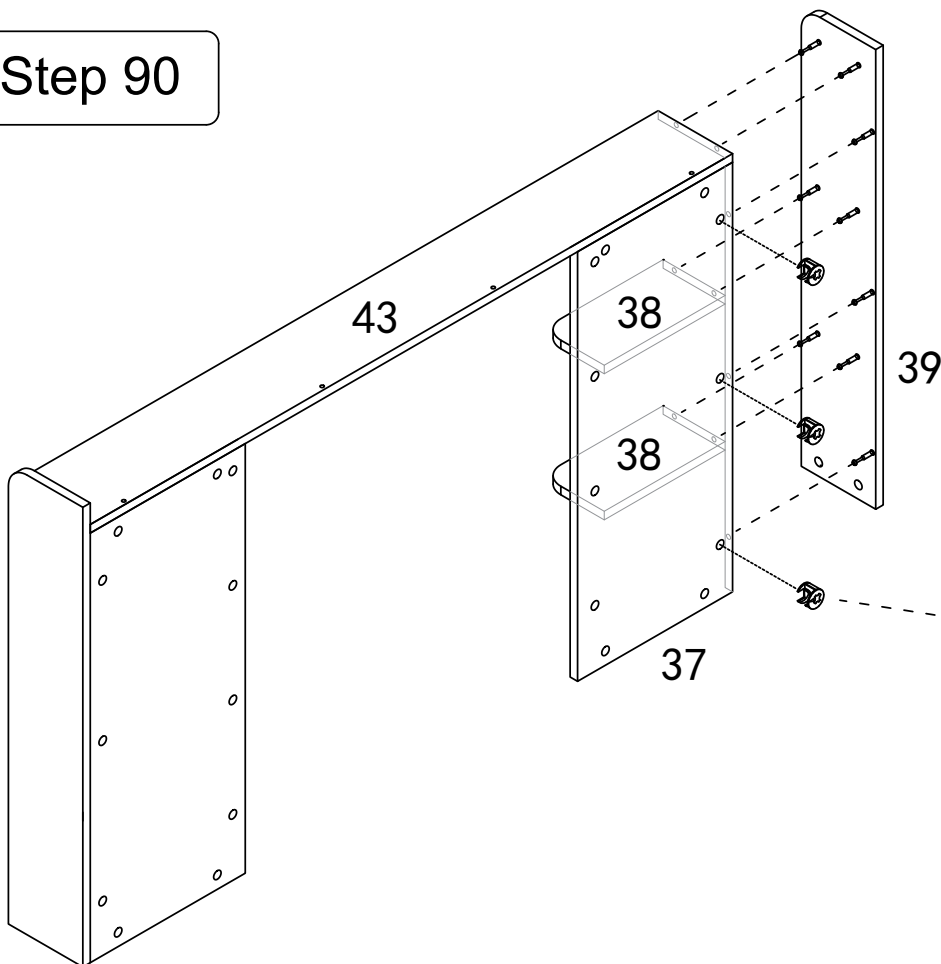
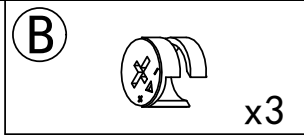
Step 88




Step 89

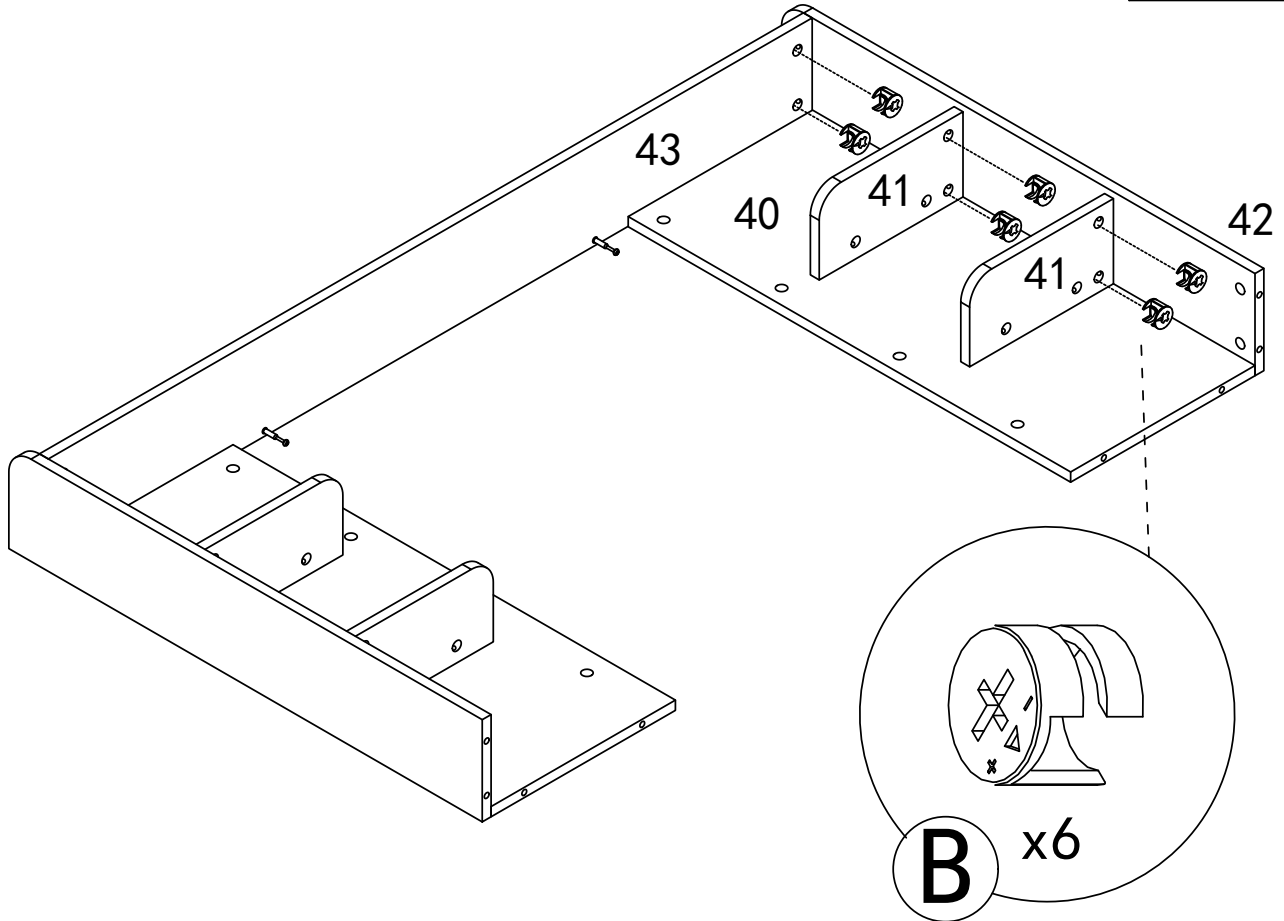


Step 90




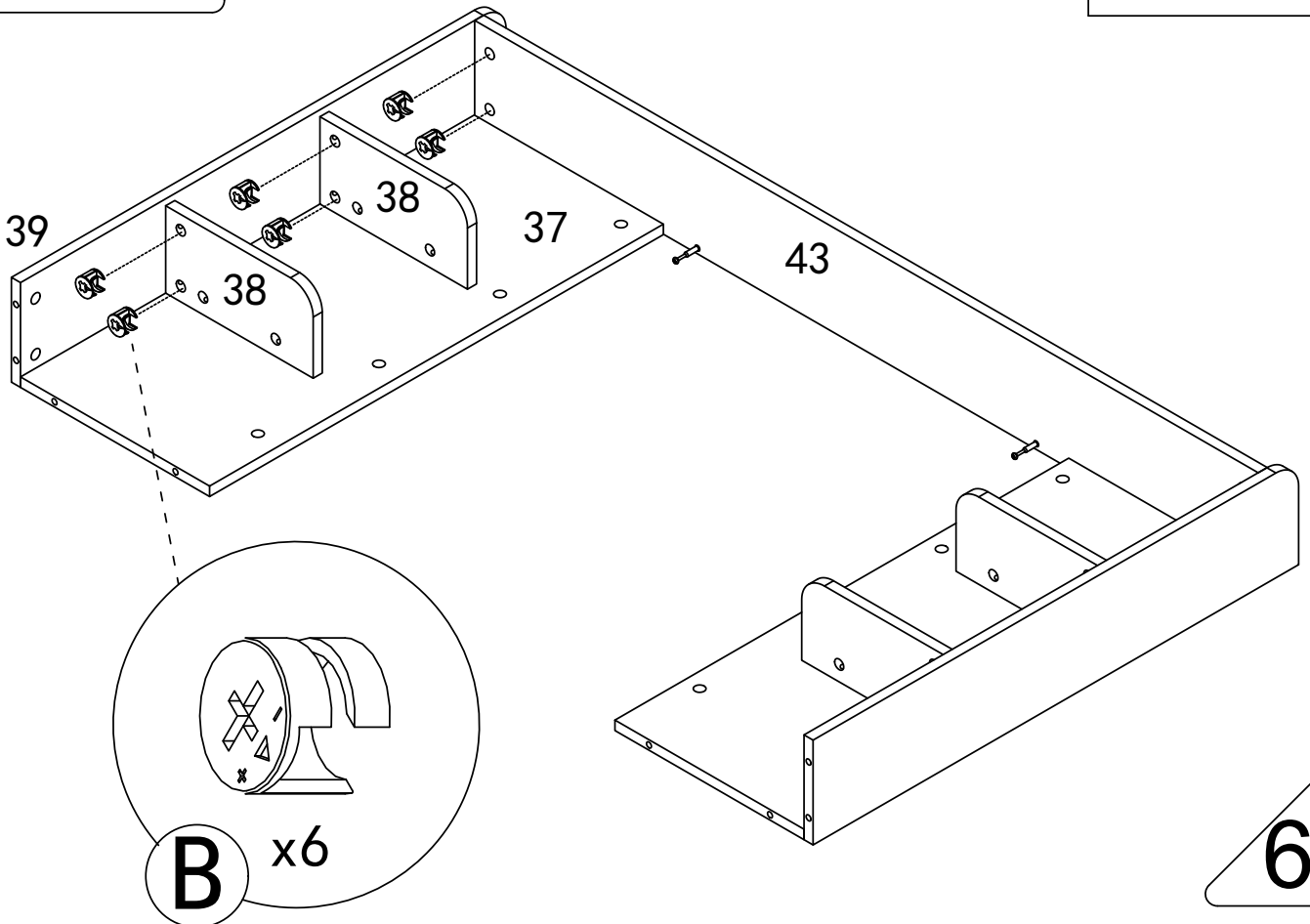
Step 91

B  x6



Step 92

B  x6

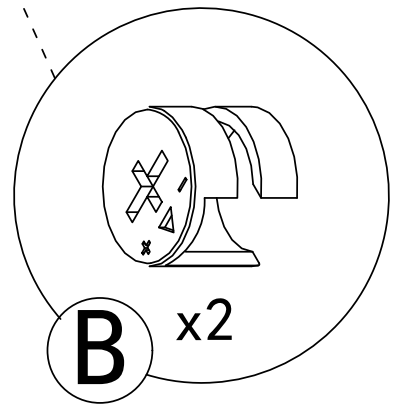
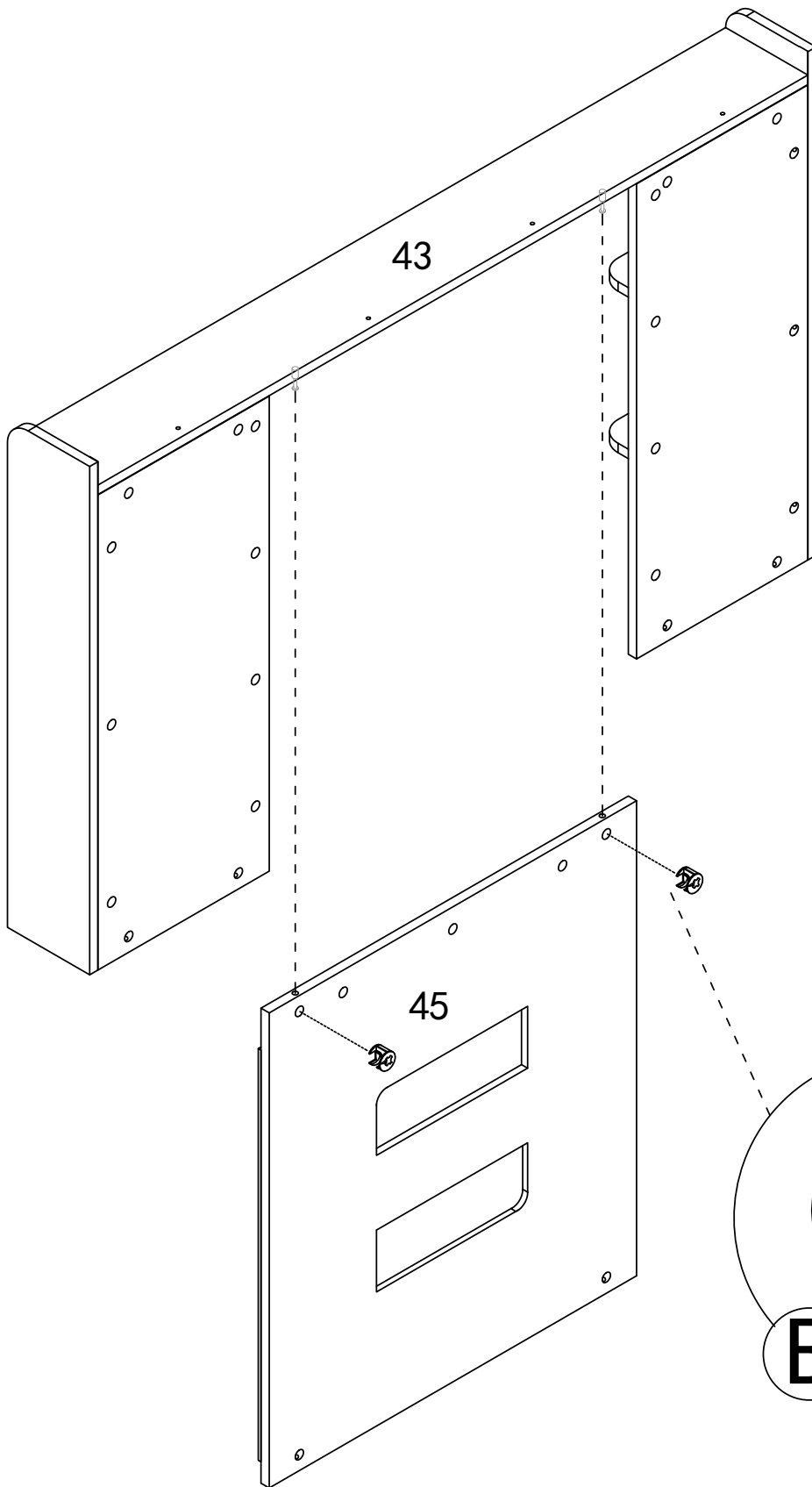


Step 93

B



x2



B

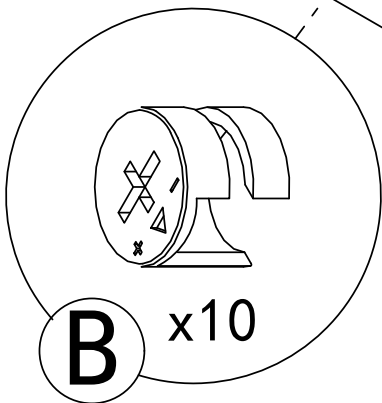
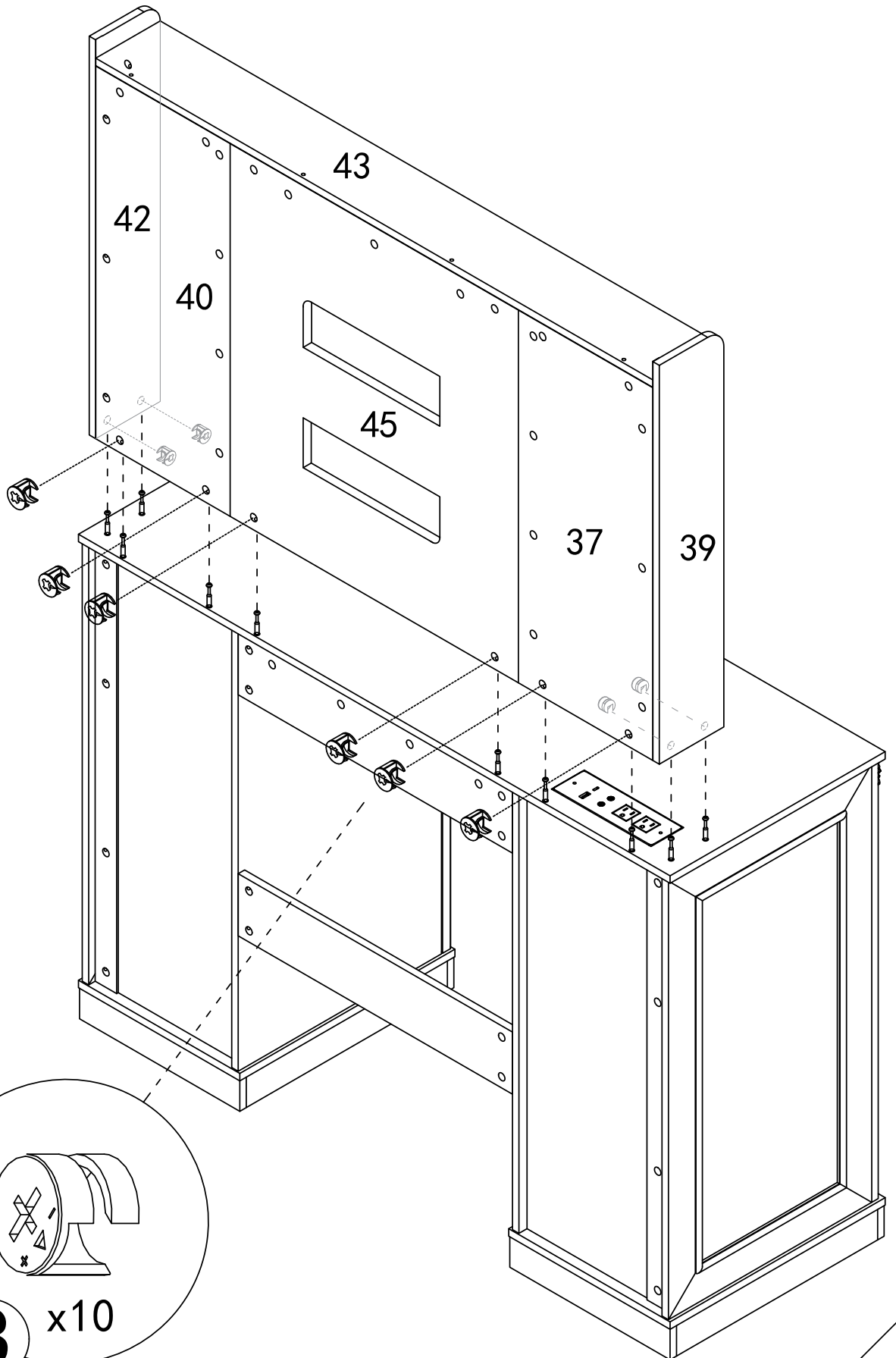
x2

Step 94

B



x10

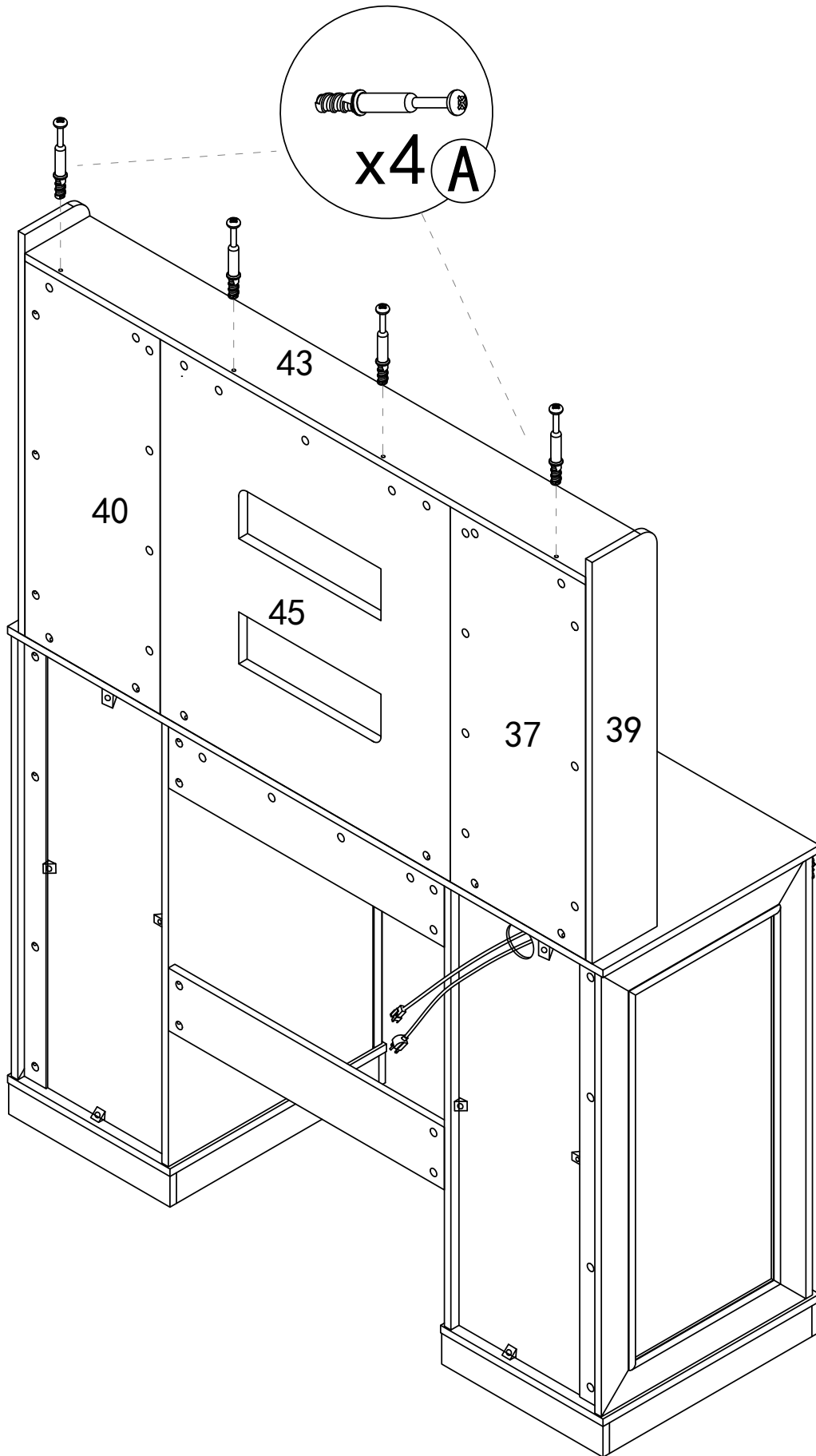
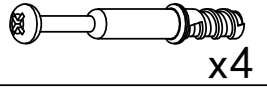


B

x10

Step 95

A

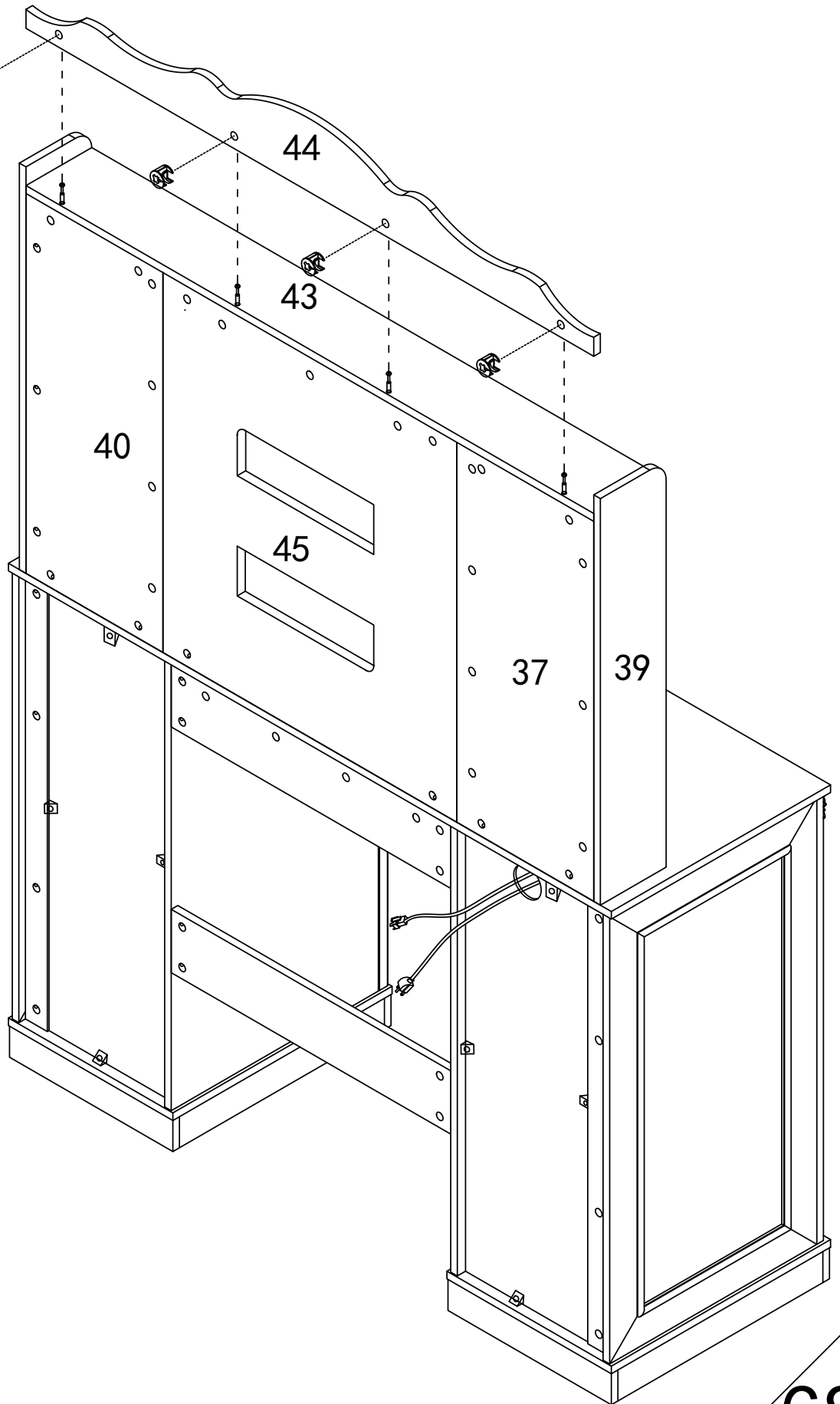
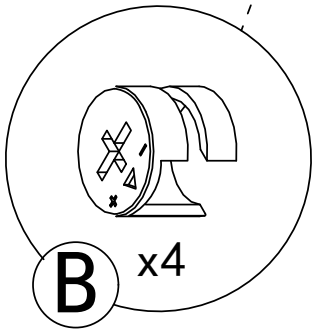


Step 96

(B)

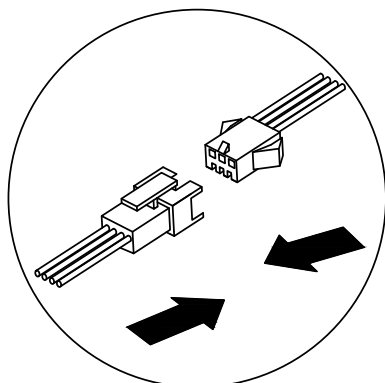
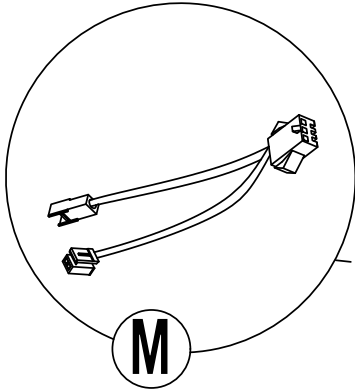
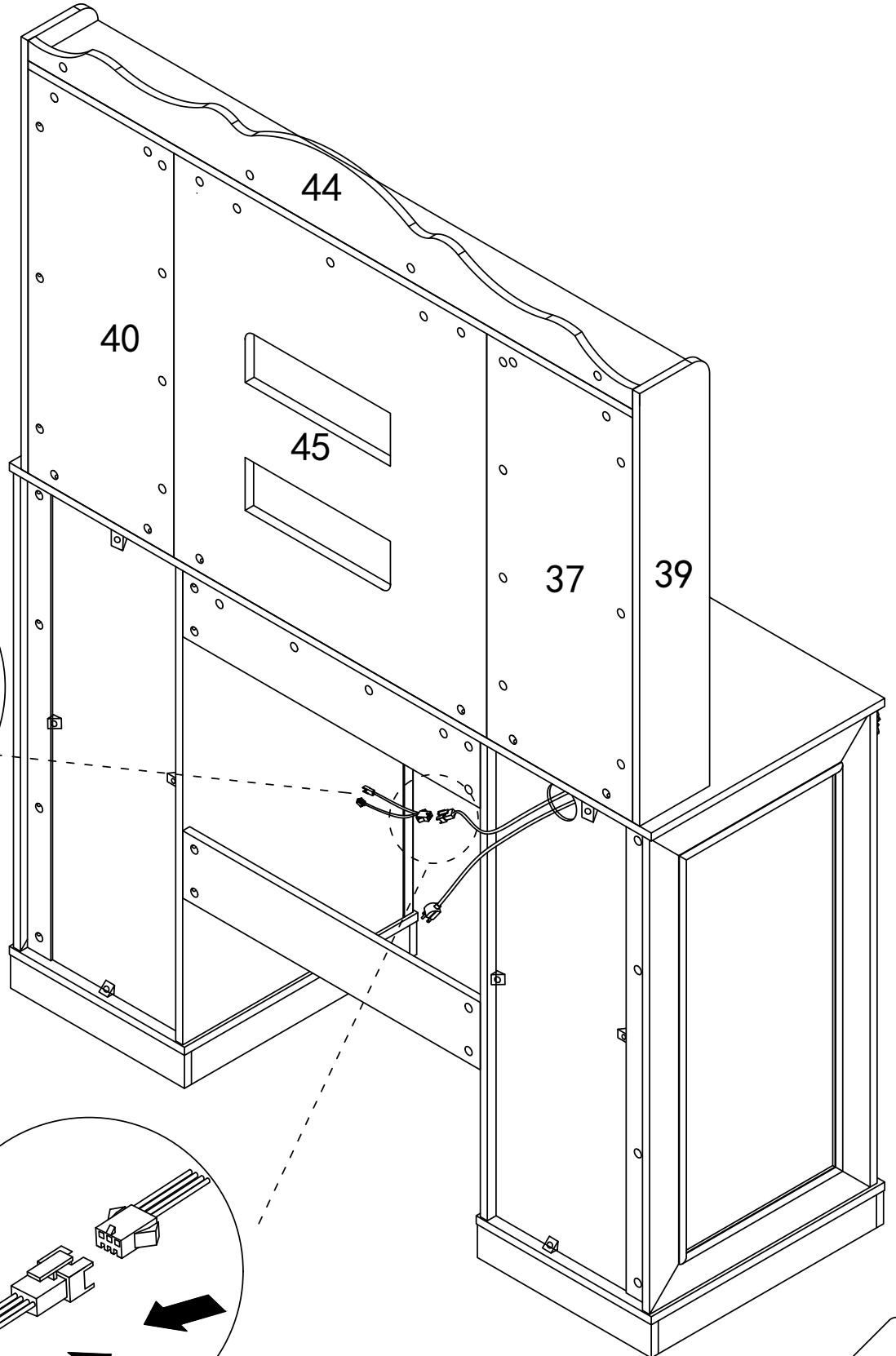


x4

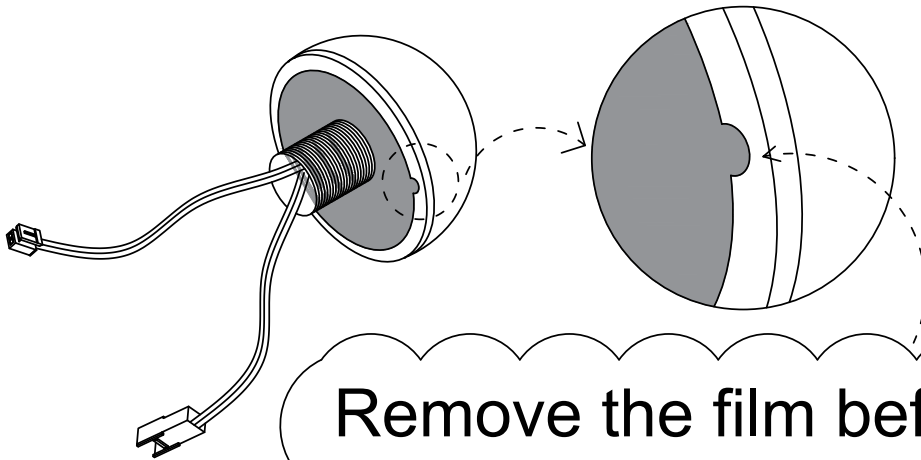


Step 97

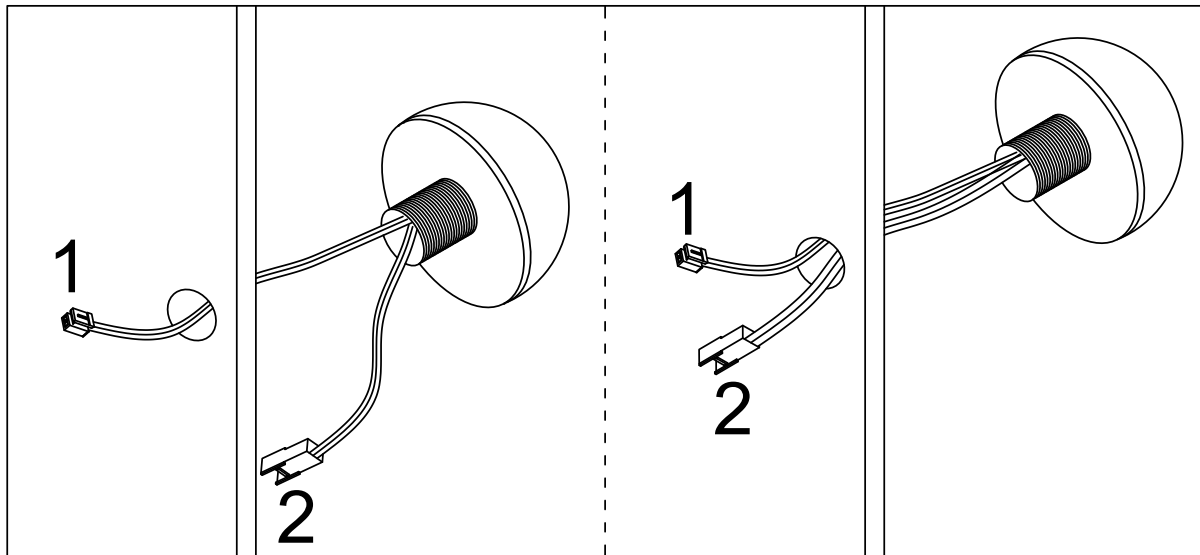
M



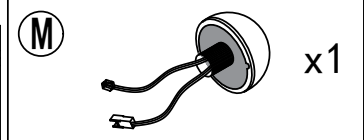
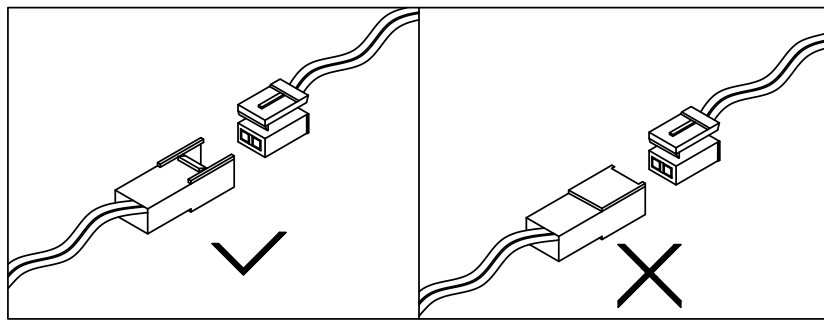
Step 98



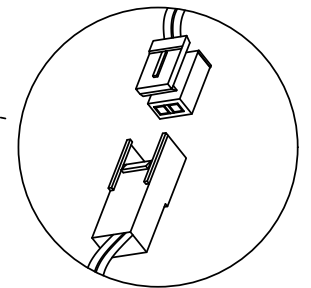
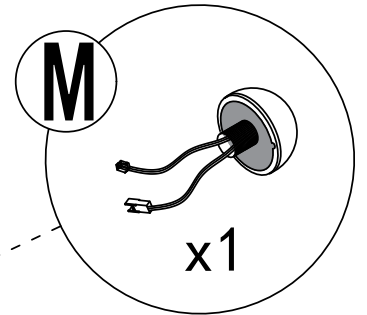
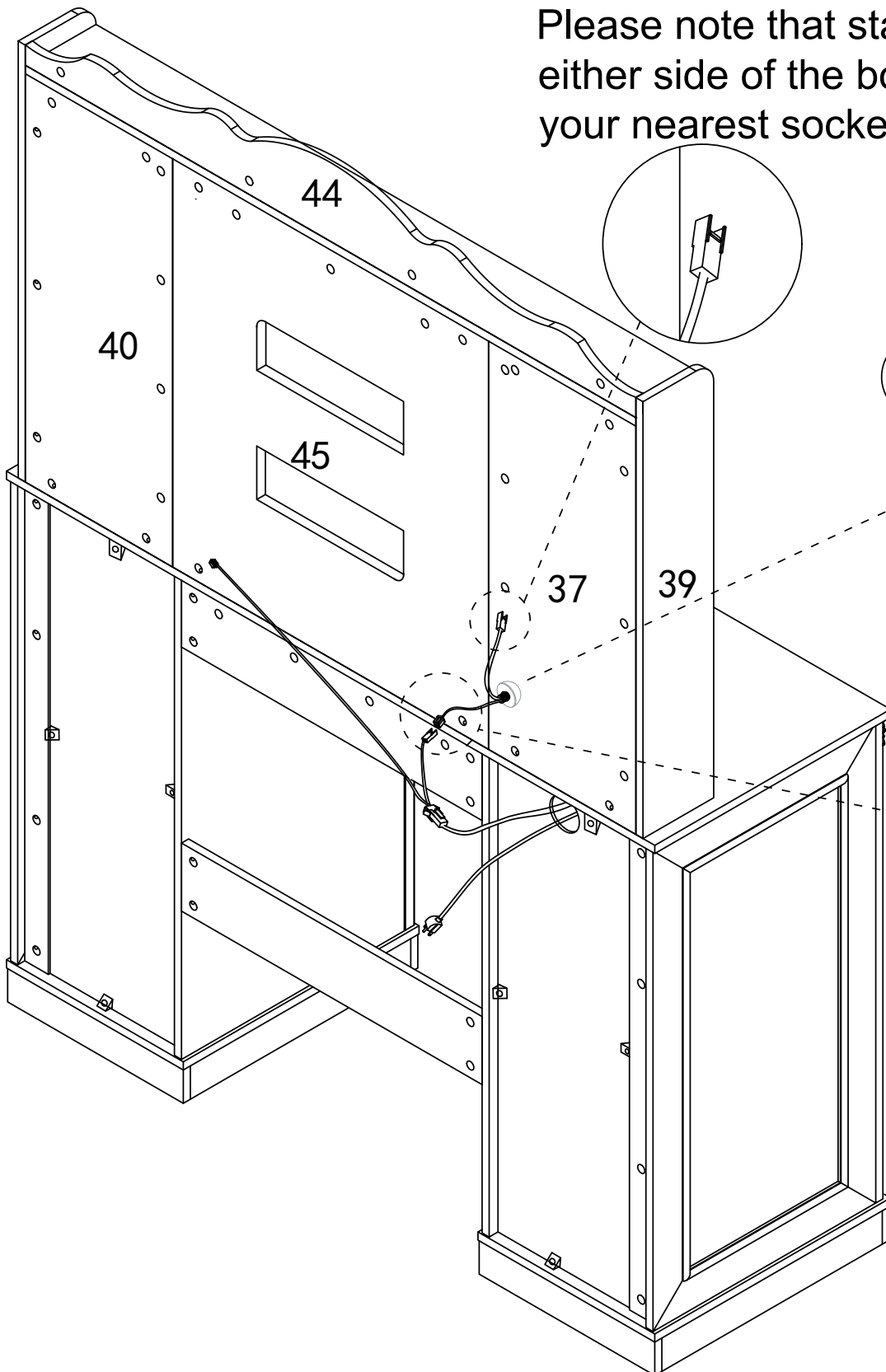
Remove the film before installation



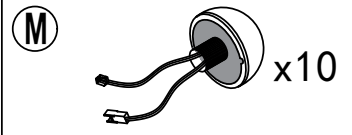
Make sure that you insert 2 cables on bulb through prepared holes on board, suggest to insert once a time.



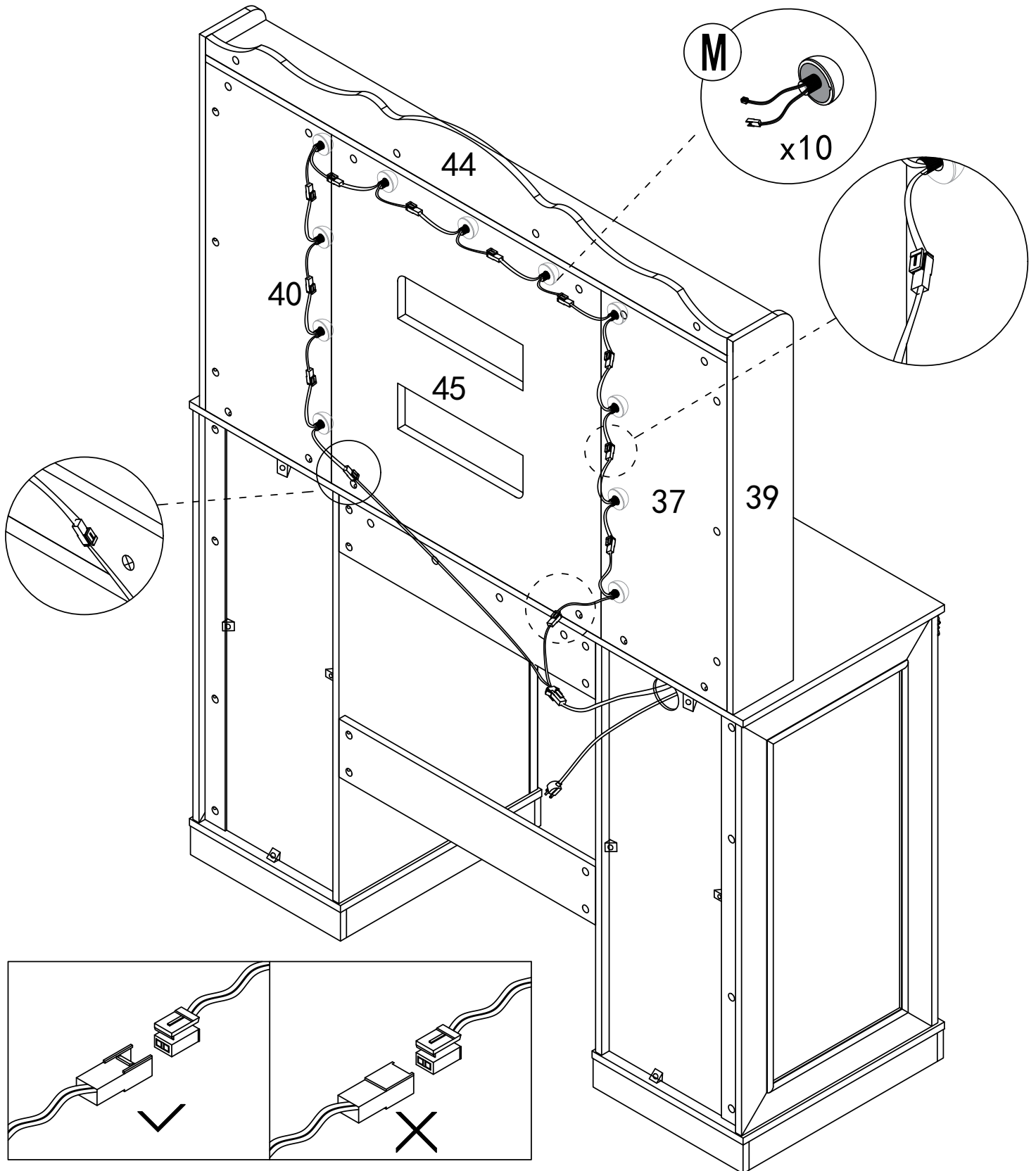
In case of miswiring, make sure you connect the first bulb with switch. Please note that starter bulb could be either side of the board, depends on your nearest socket location.



Step 99

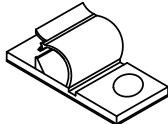




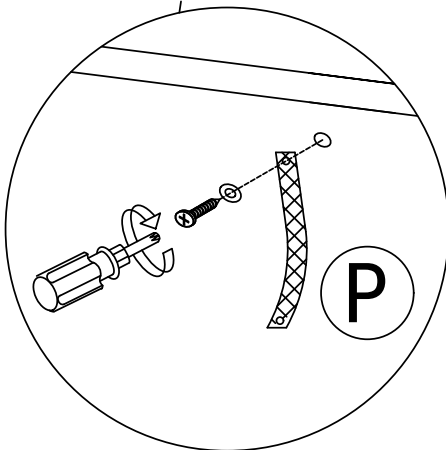
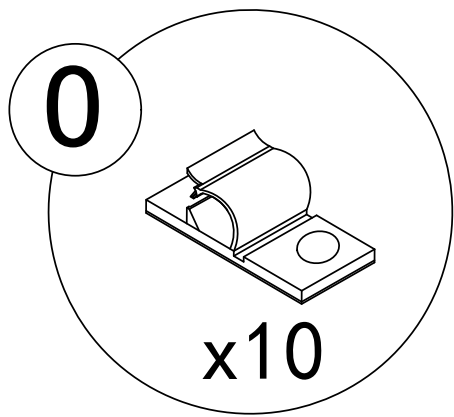
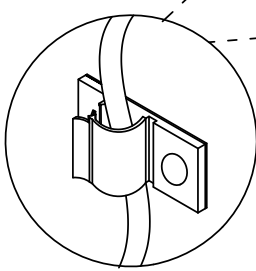
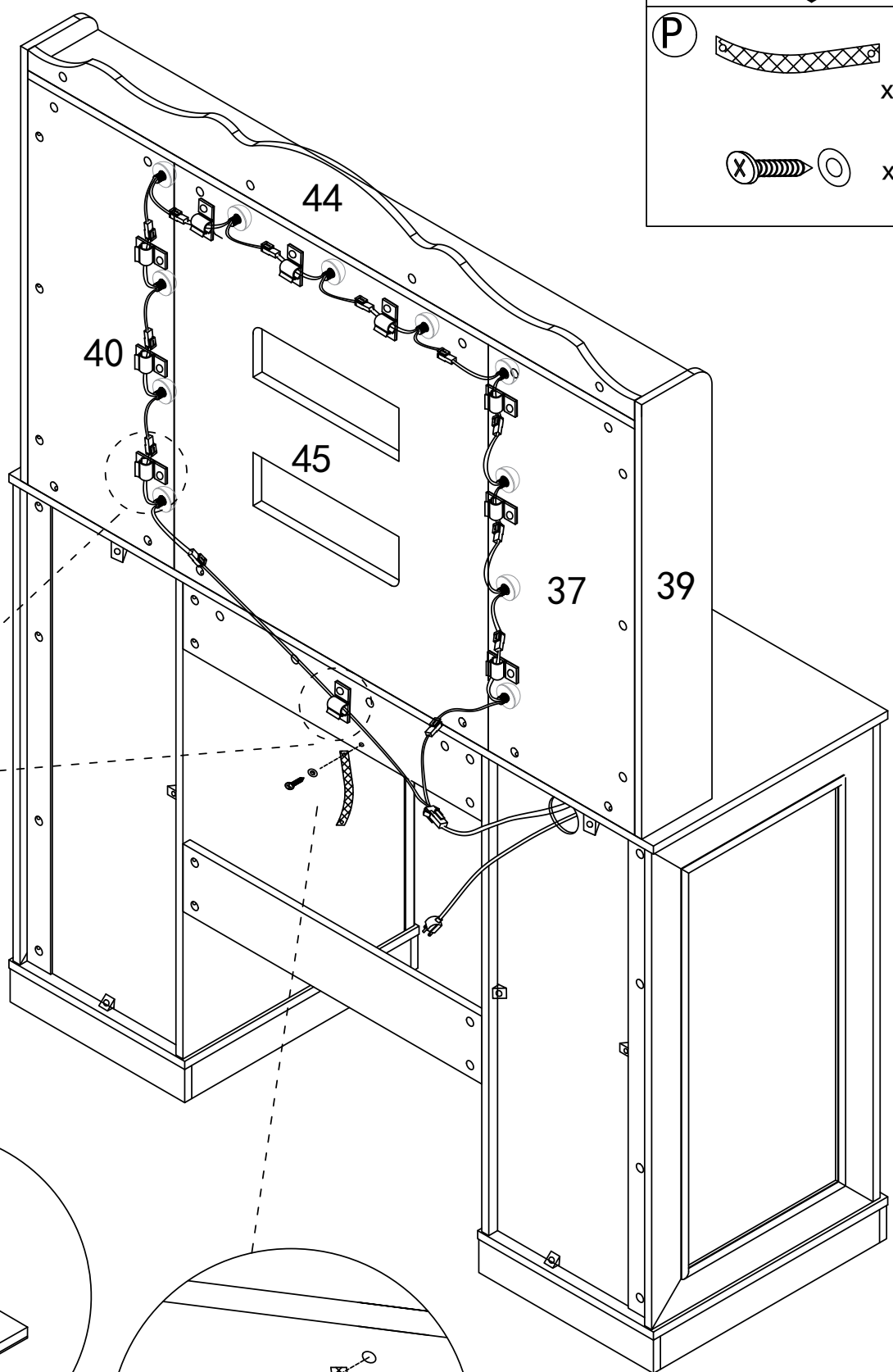
From the first bulb, connect all bulbs in turn



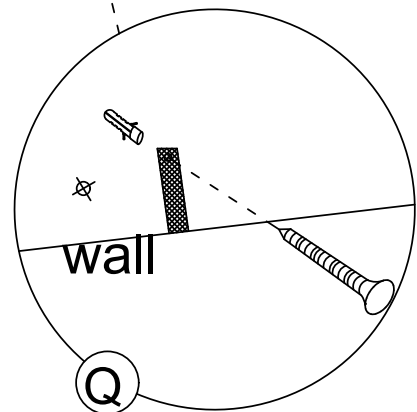
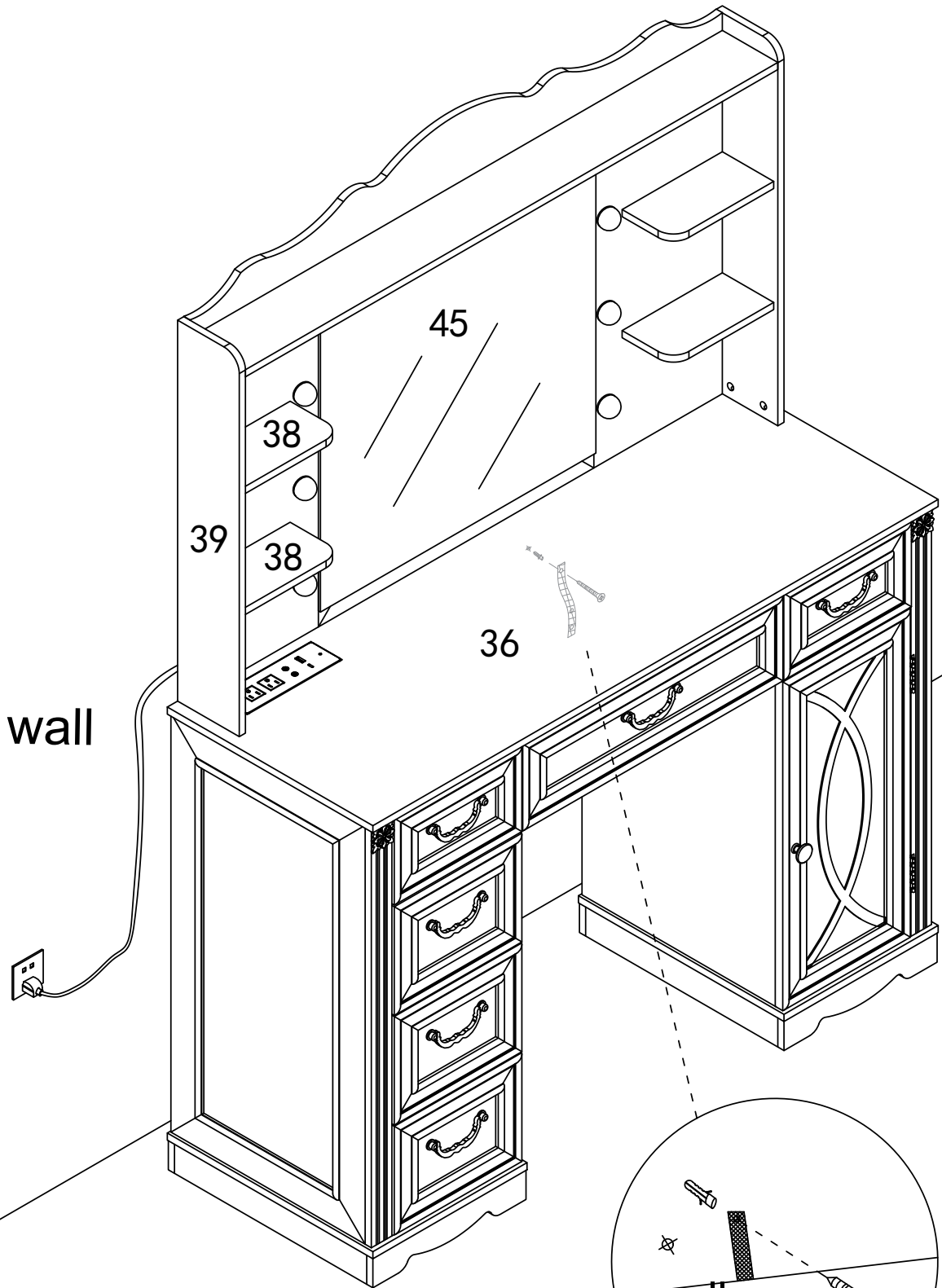
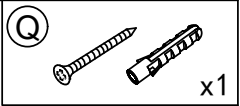
Please note that connection between each bulbs should be like LEFT status. Any connection like right image might be result of defection. For you own safety, check all connection in this step.

Step 100

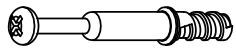
- N**  x10
- P**  x1
- X**  x1



Step 101



A



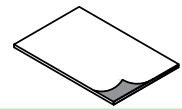
28pcs

B



28pcs

F



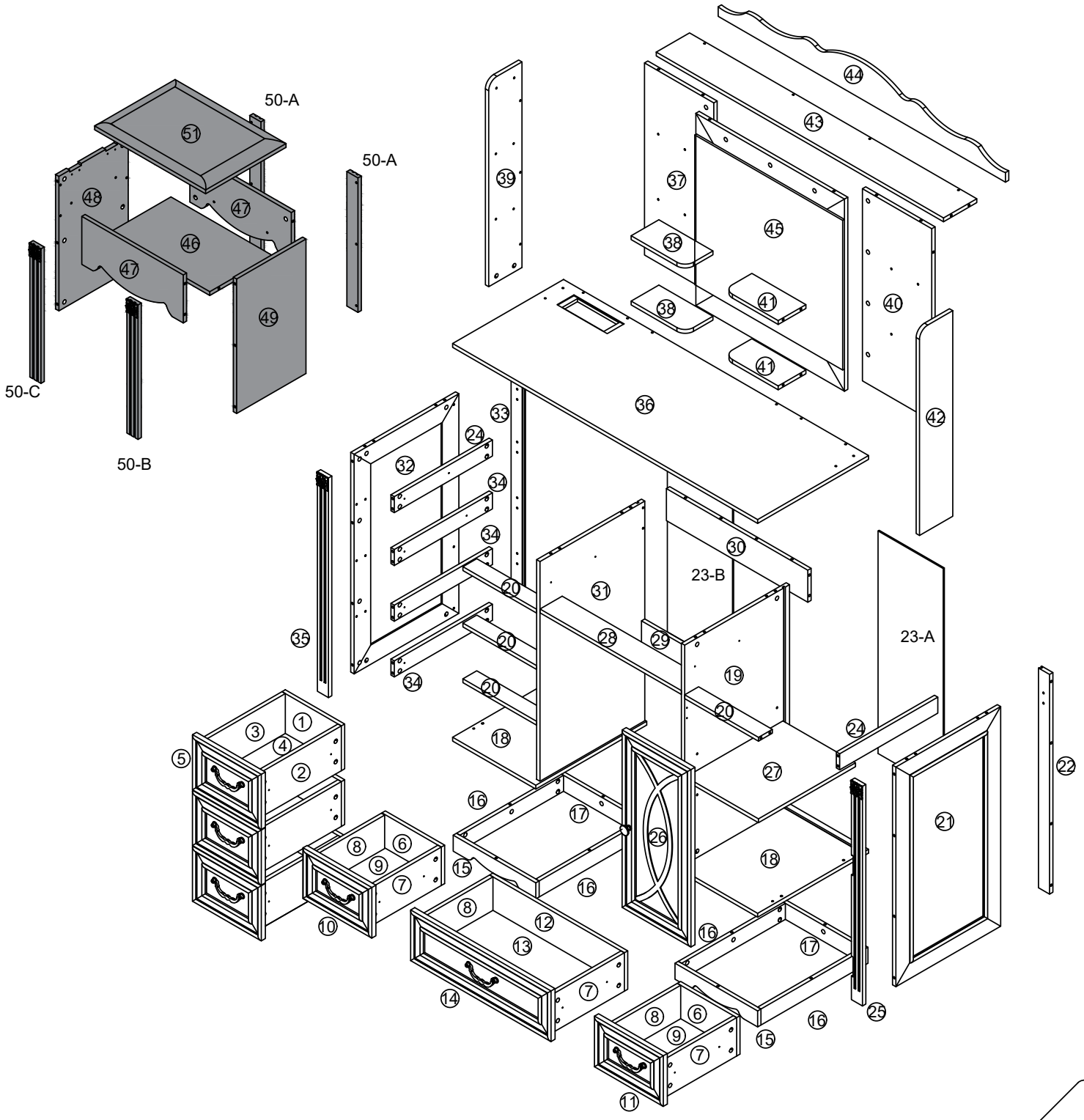
4pcs

O

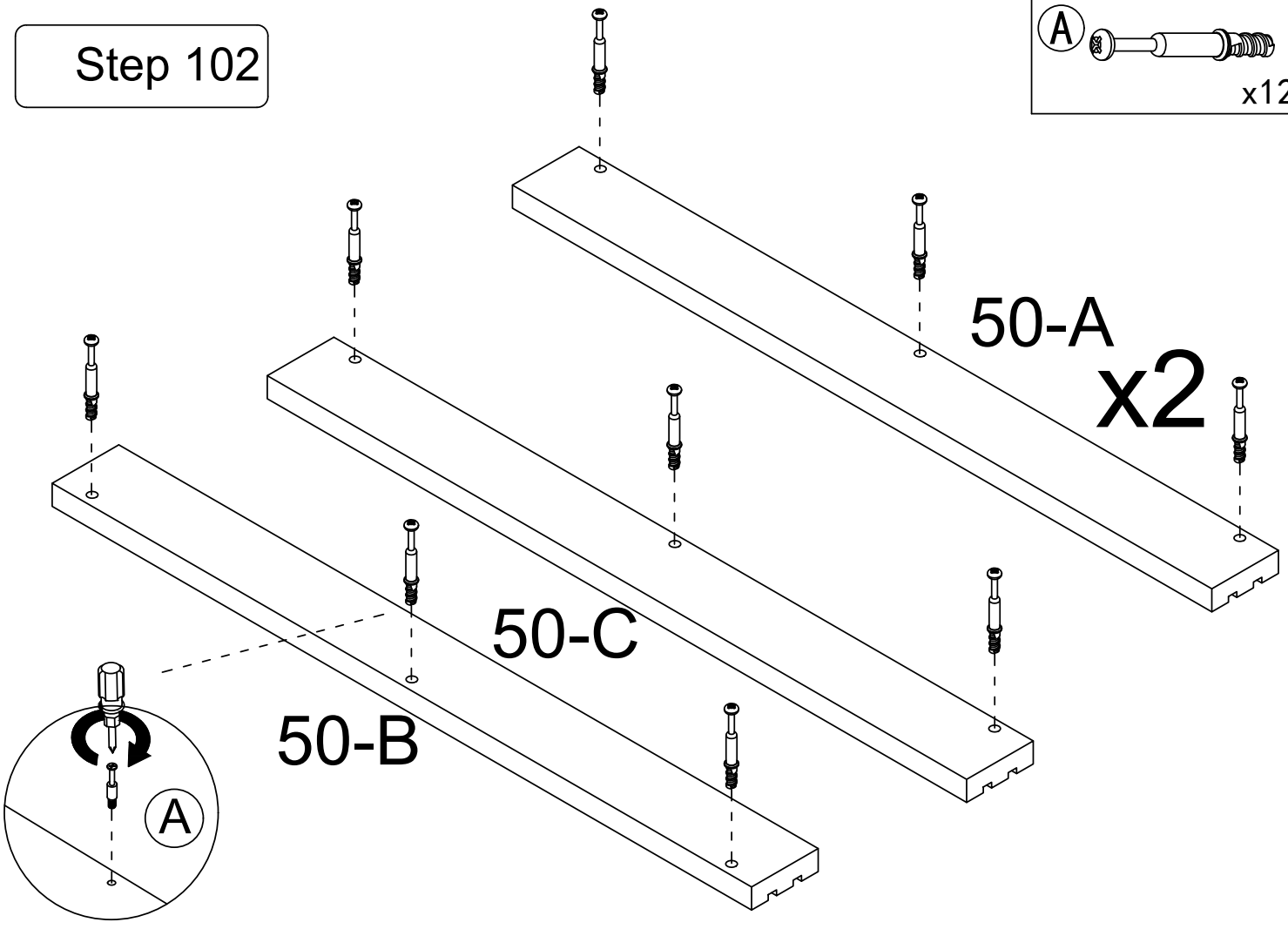
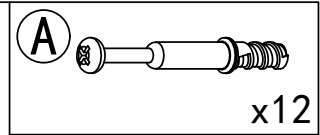


2pcs

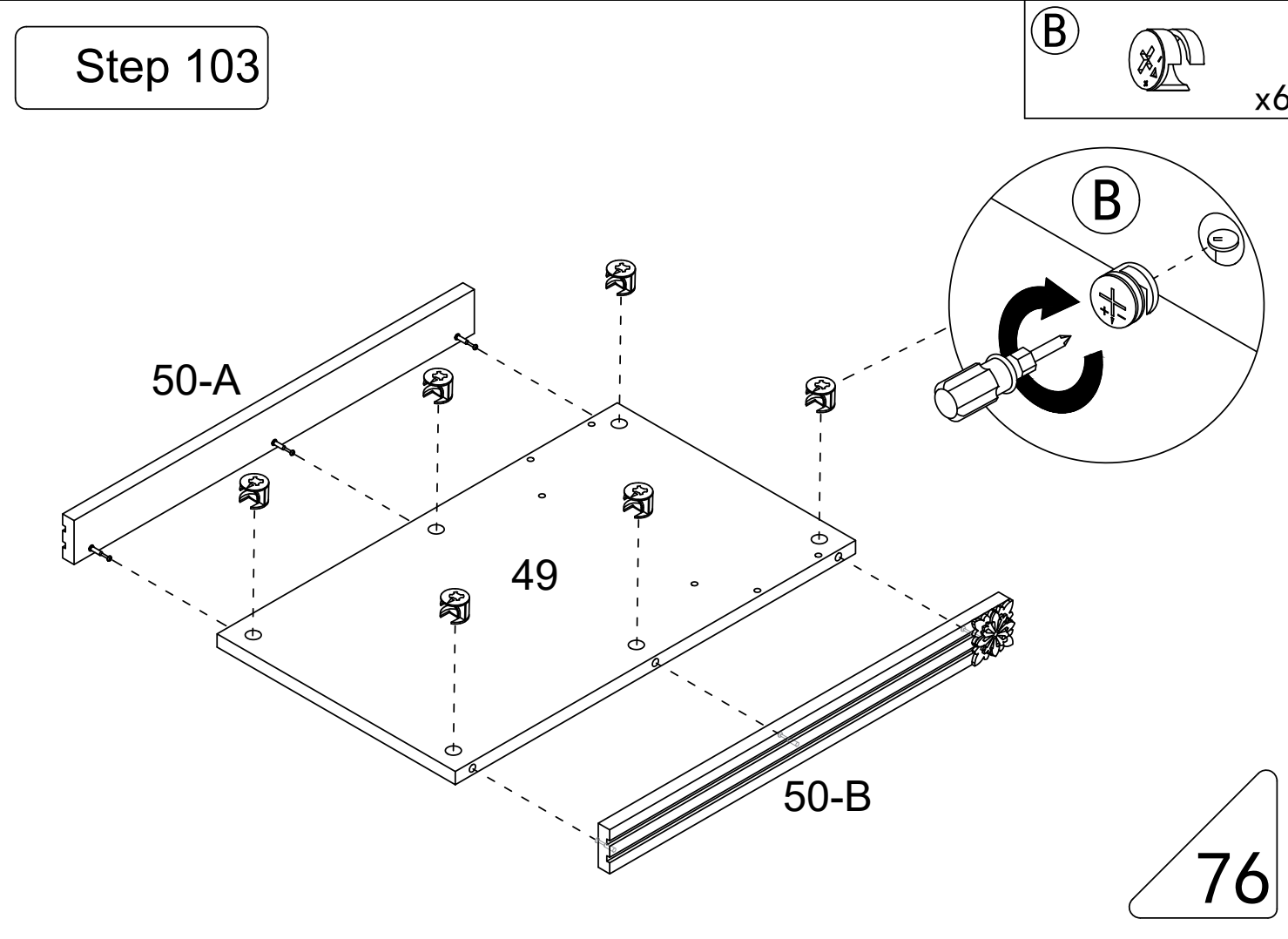
8pcs



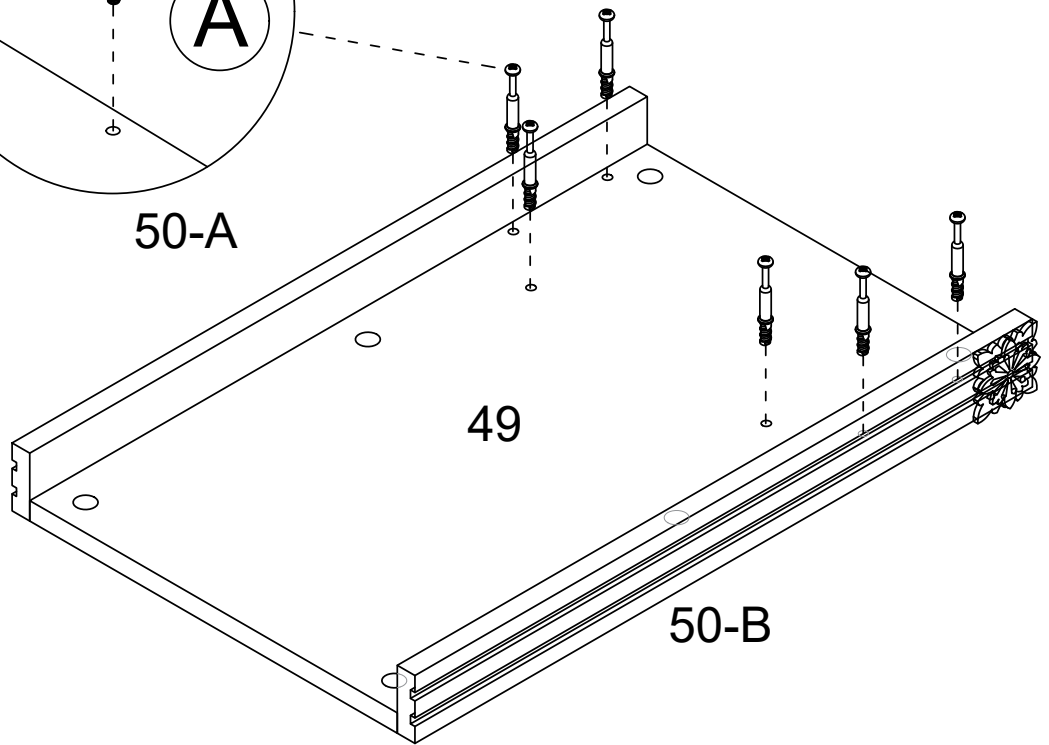
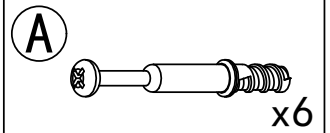
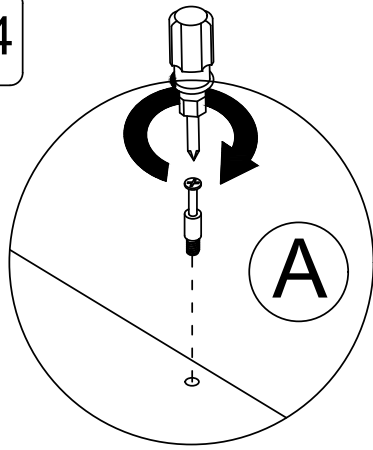
Step 102



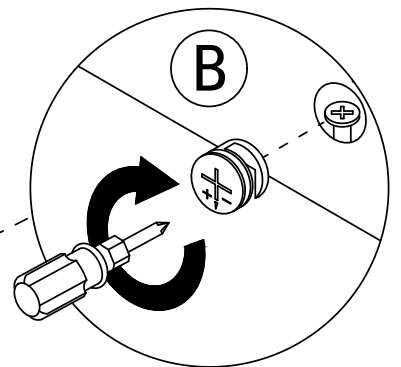
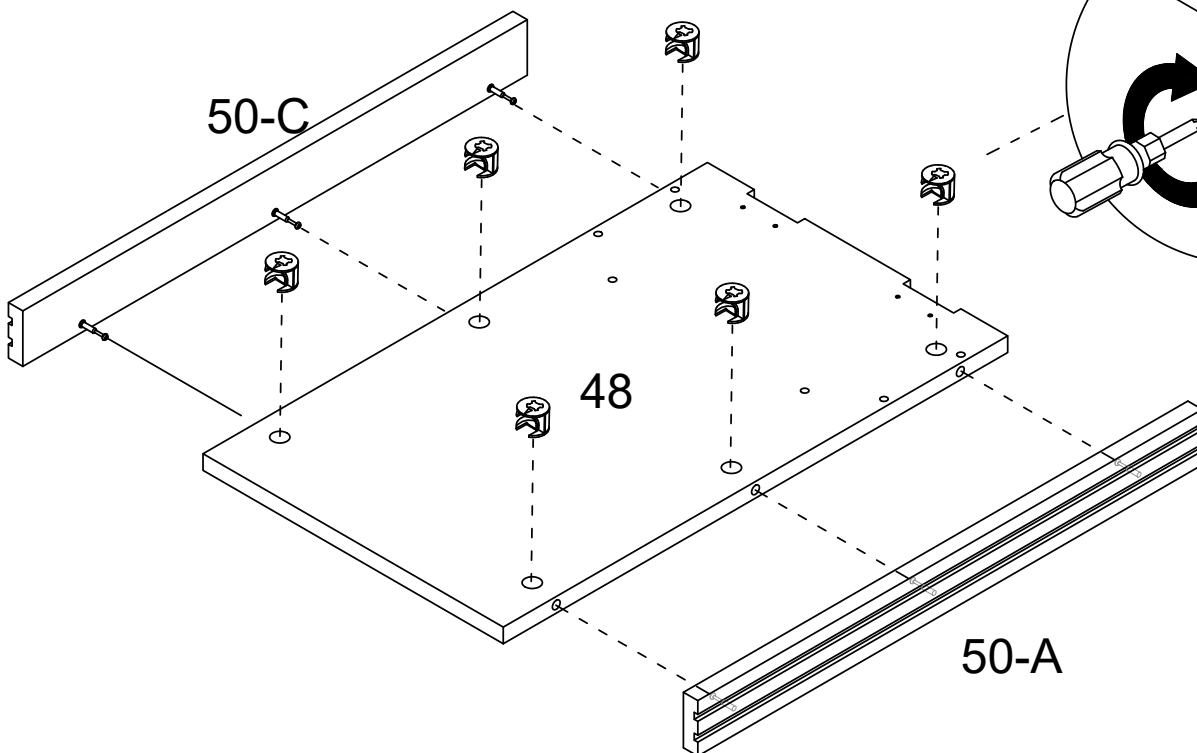
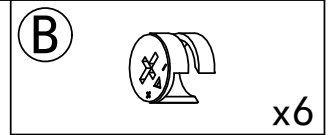
Step 103



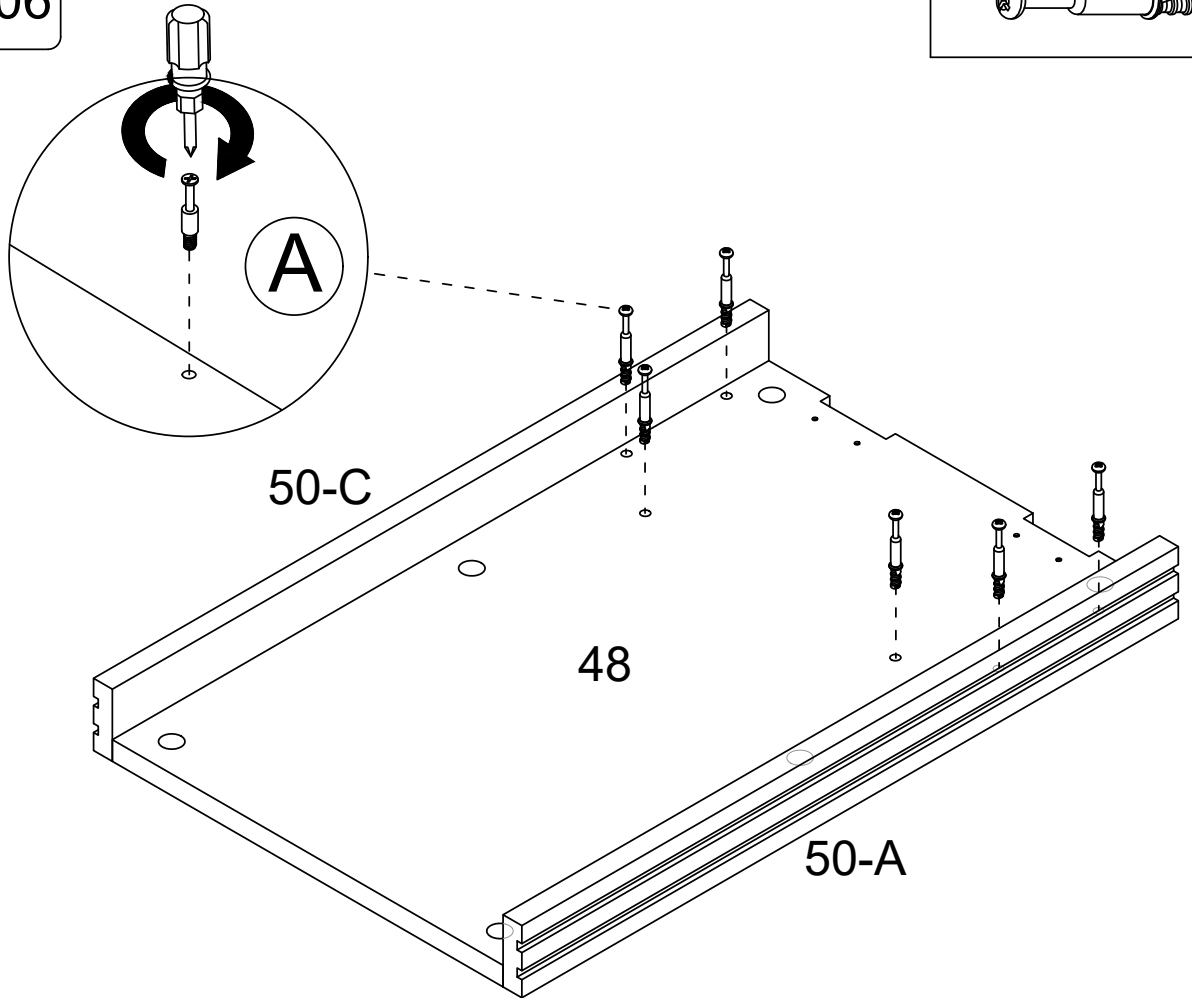
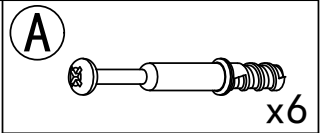
Step 104



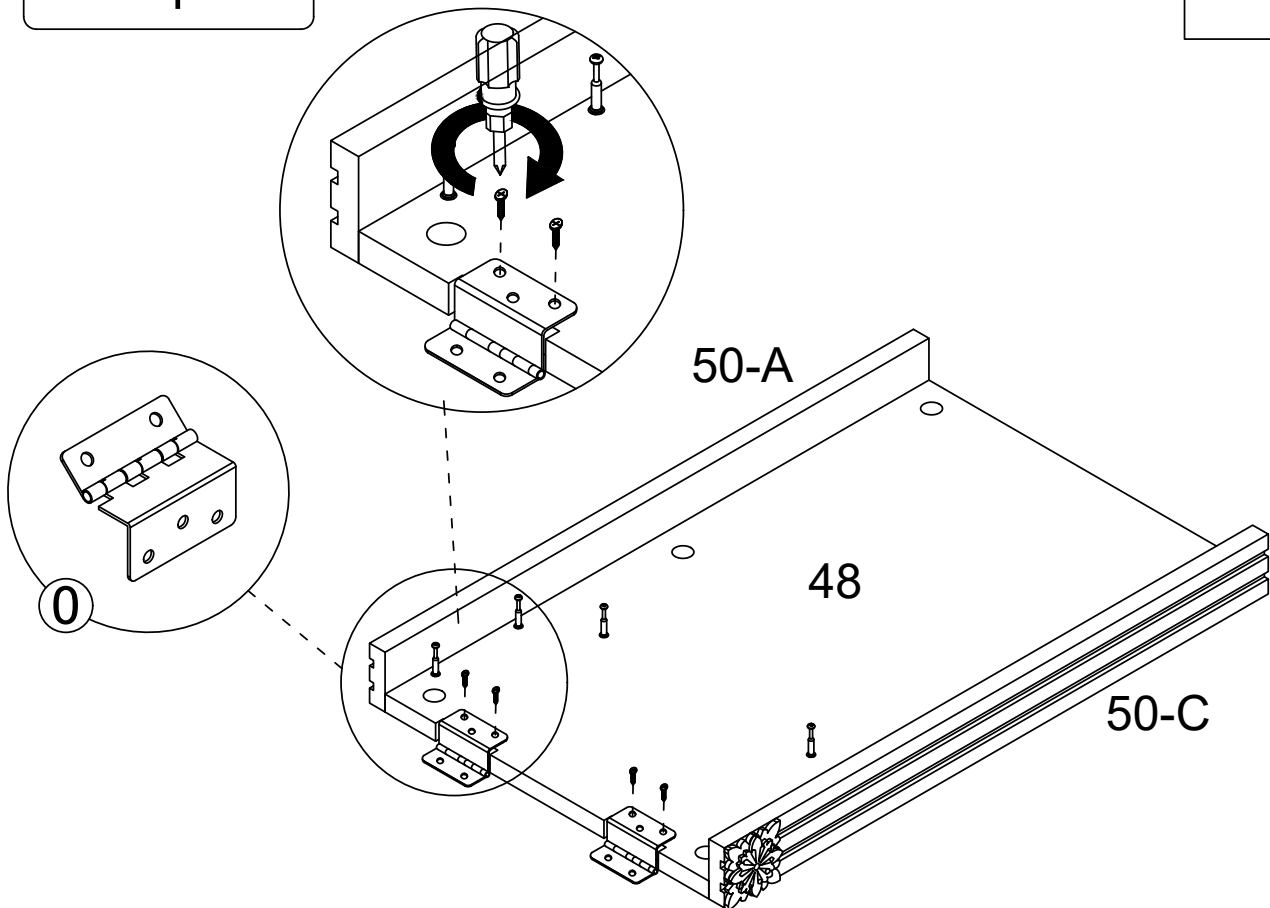
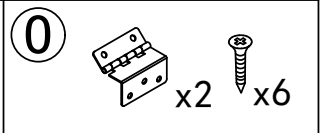
Step 105



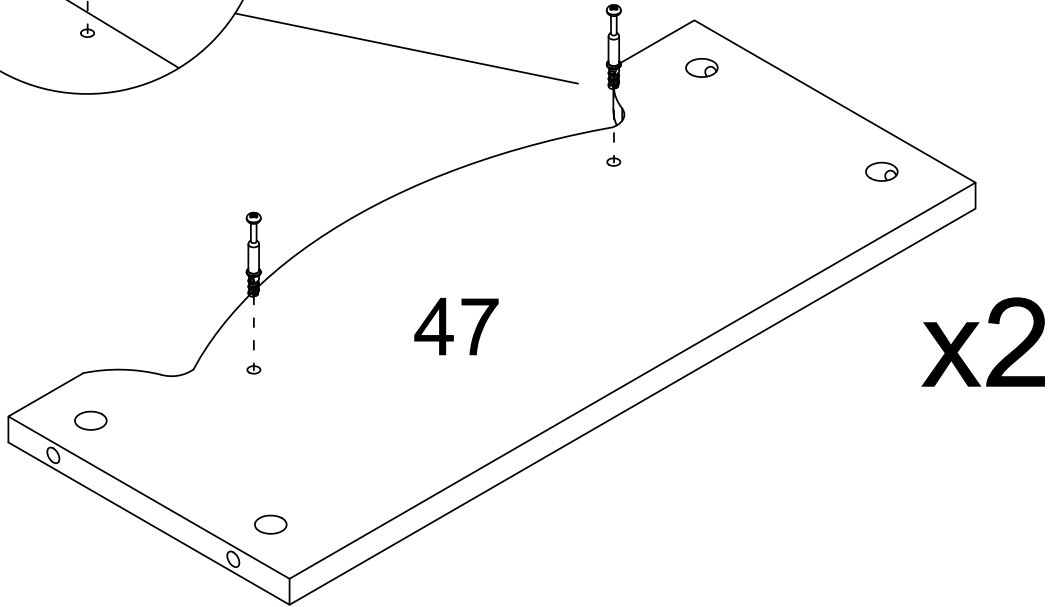
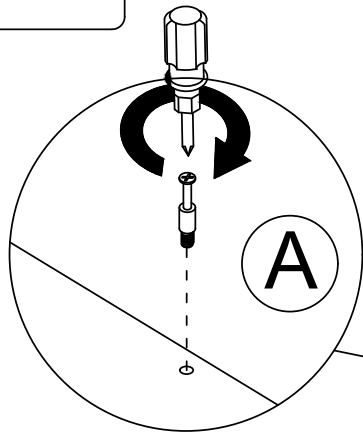
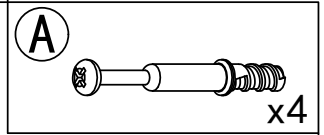
Step 106



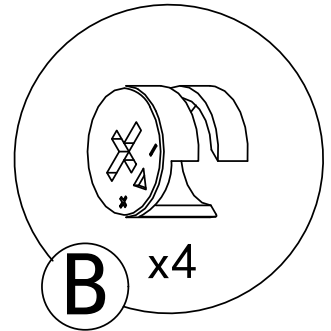
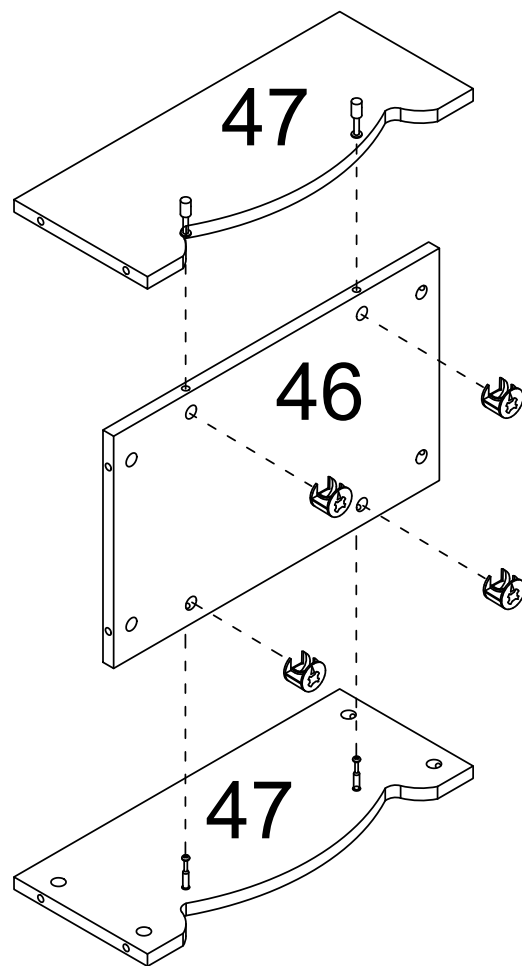
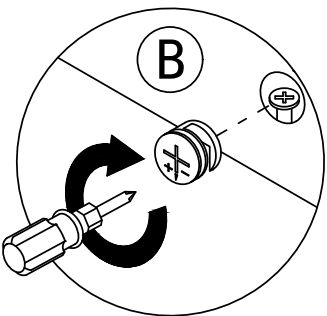
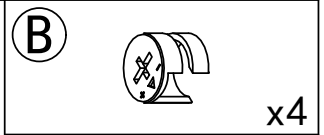
Step 107



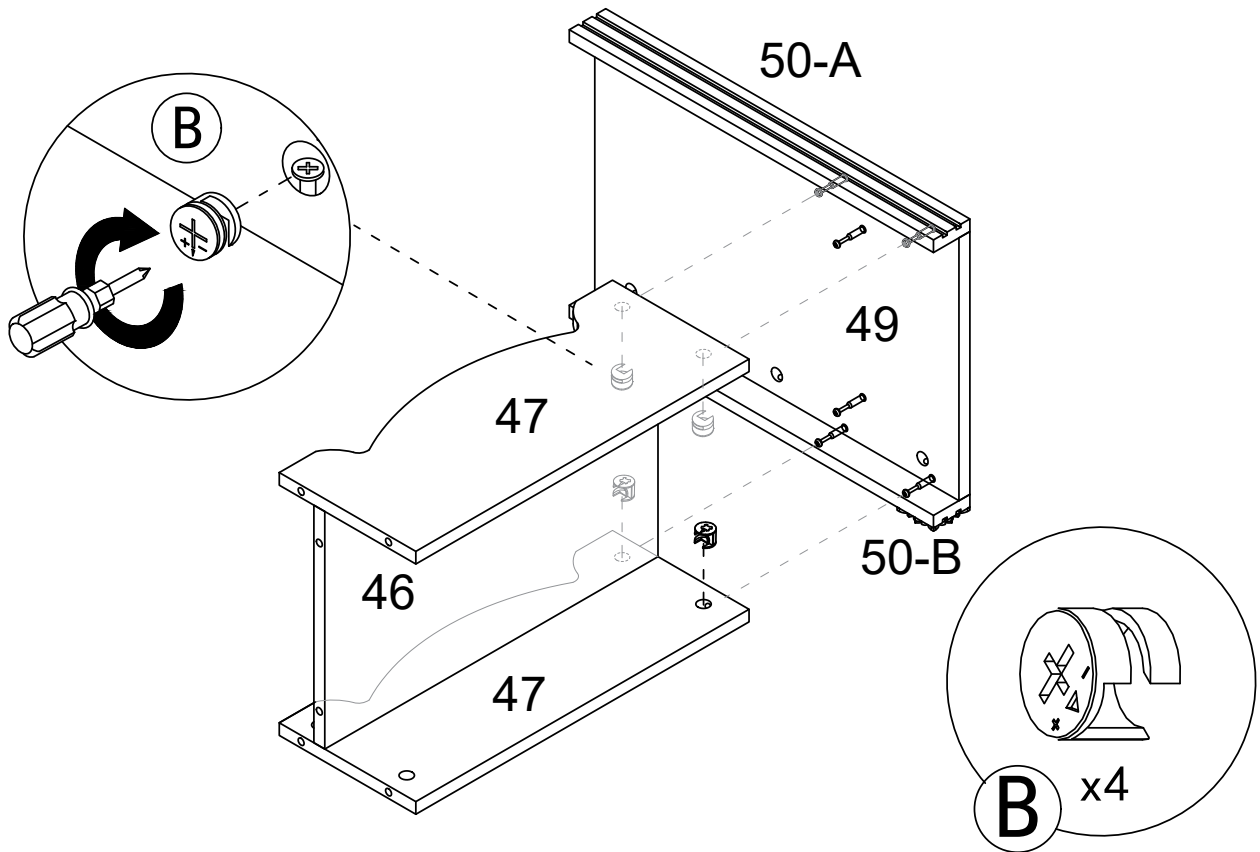
Step 108



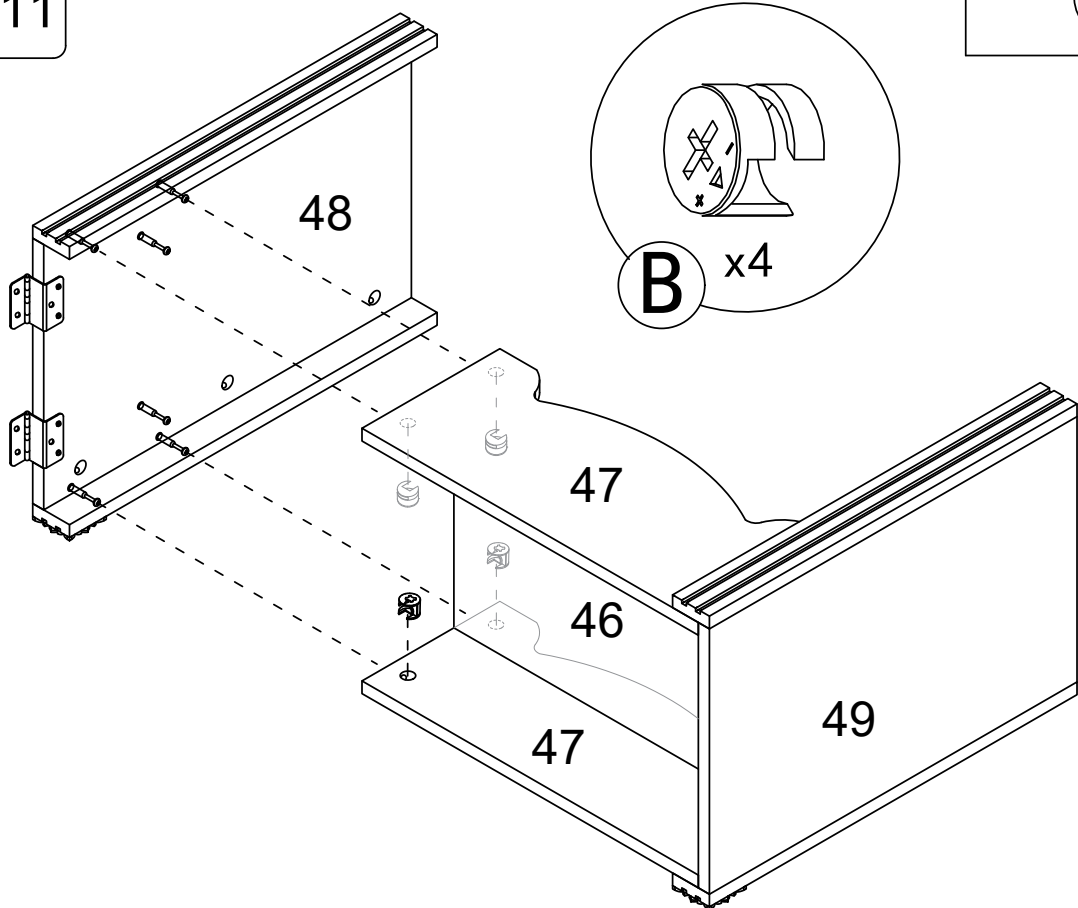
Step 109



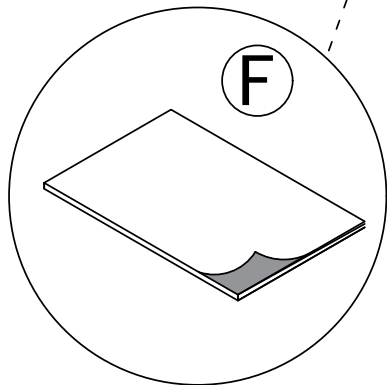
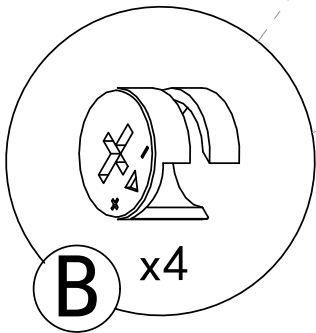
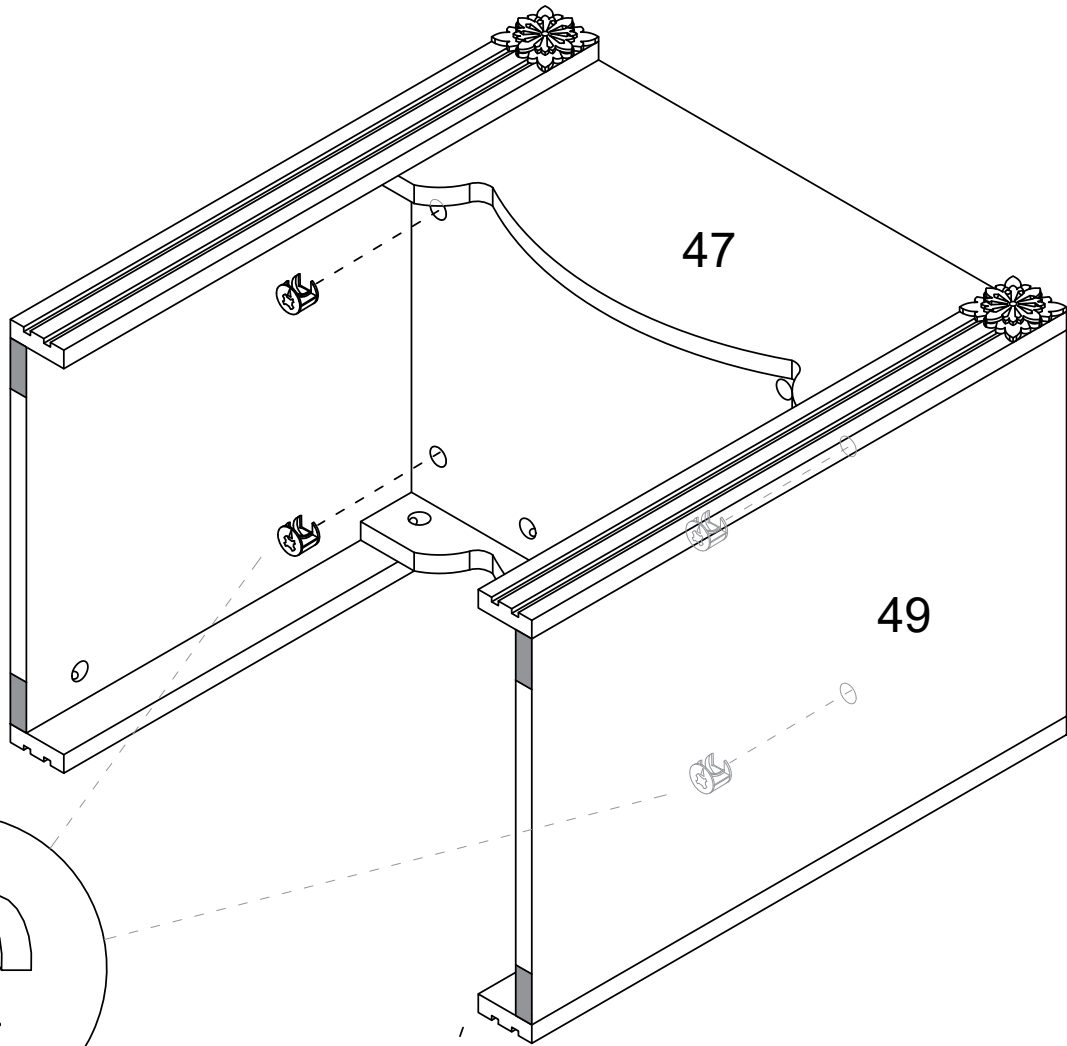
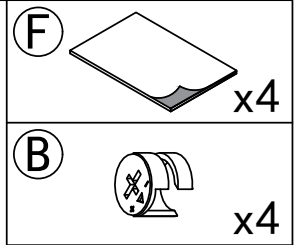
Step 110



Step 111



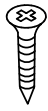
Step 112



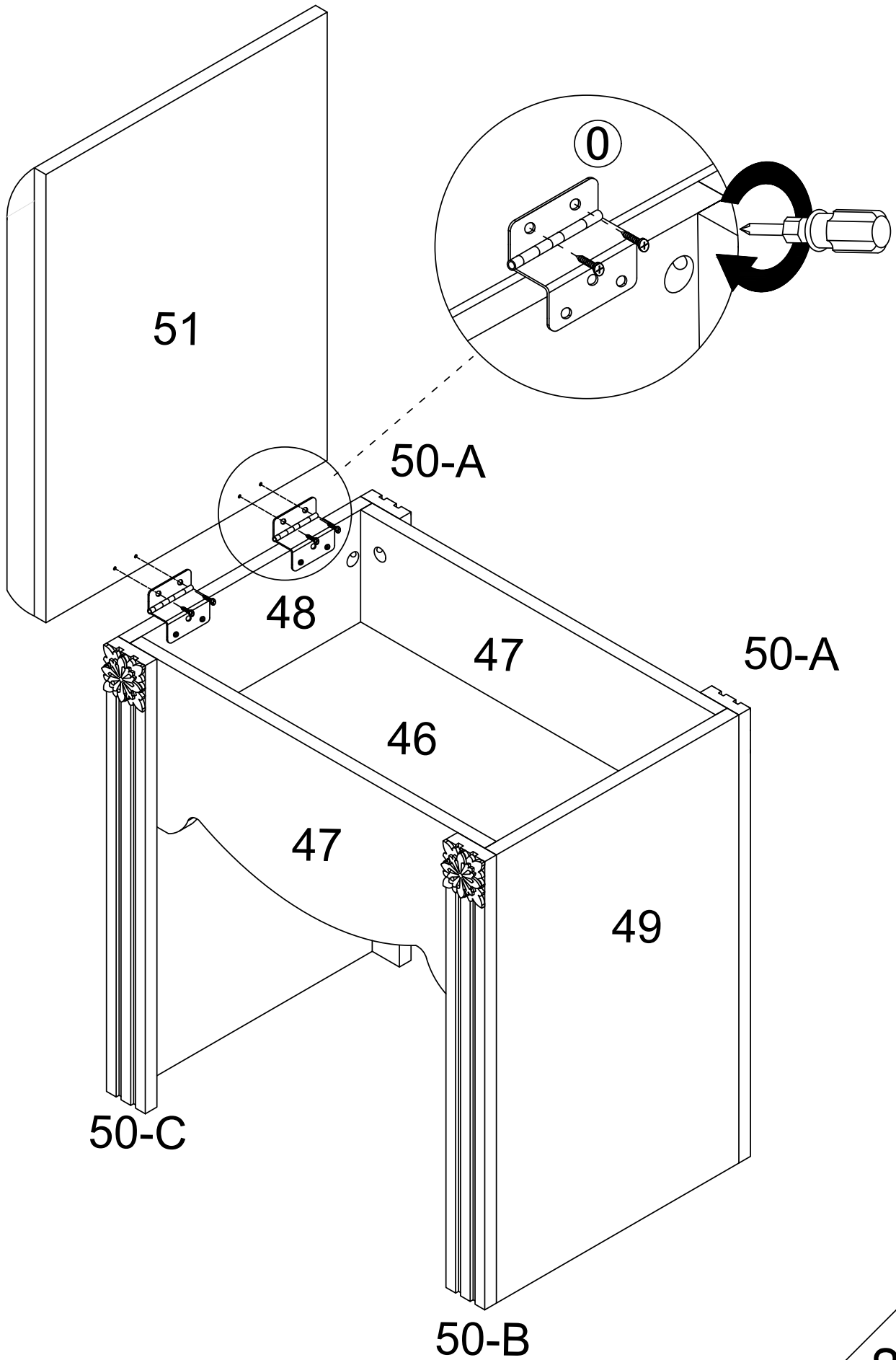
Tear off release paper and stick the black foot pad on the board

Step 113

0

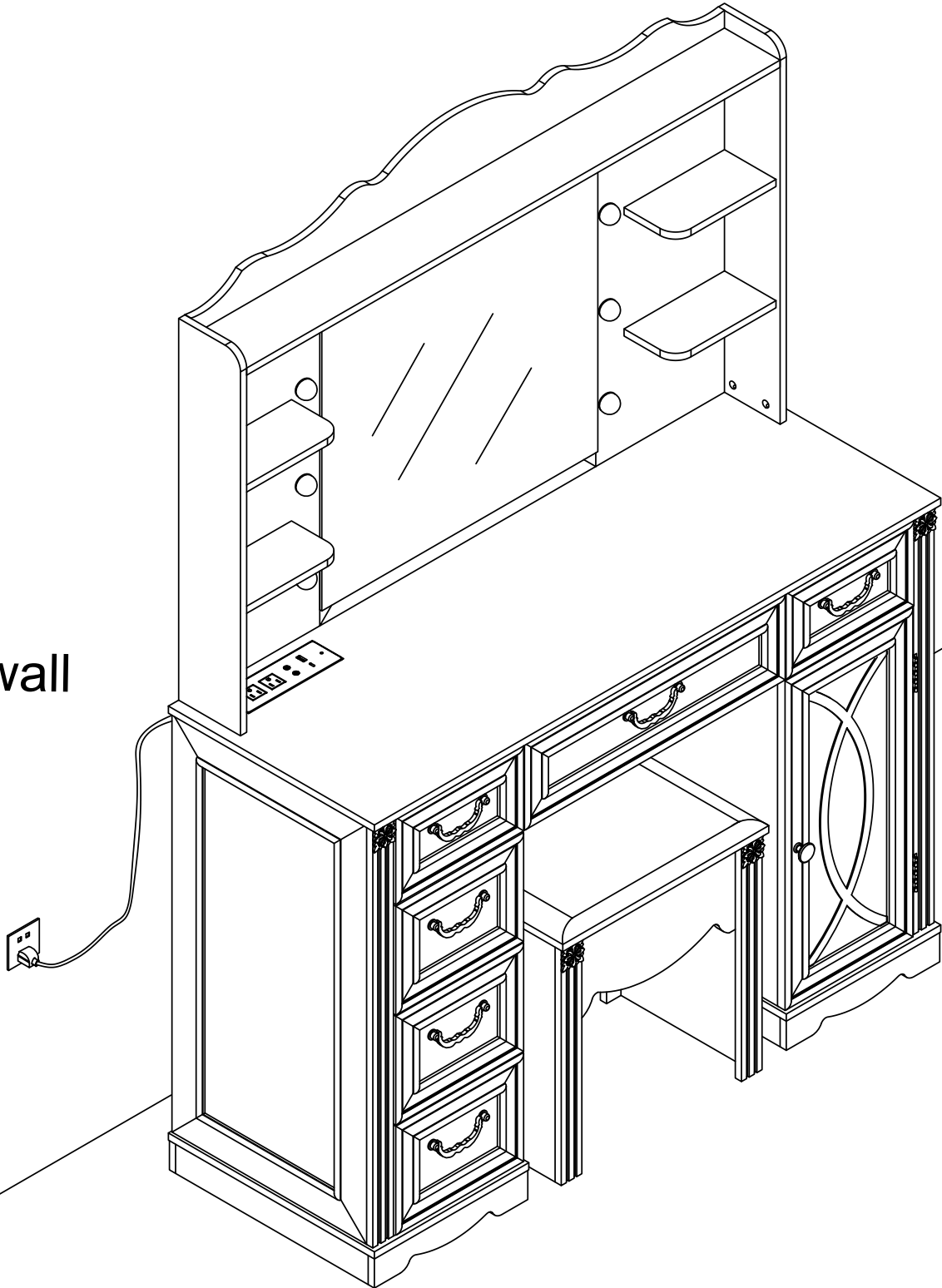


x4



Step 114

wall





User's Guide

Thank you for purchasing this product.

To use this product, please connect it to a power source.

Please use if the product works normally after connecting to power.

Introduction

The box is an intelligent controller. It has 1 USB output port 1 Type-c port .

With 2 touch buttons, it can turn. ON/OFF the light, change light colors, and adjust the light luminance.it can and turn ON/OFF the induction function.

Operation



This touch button is used to turn on/off, change colors, and adjust brightness.

A. Short touch -> lighting on -> short touch -> change light color -> short touch -> change light color -> short touch -> lighting off.

B. Long touch -> adjust the luminance. (The brightness of each color can be adjusted individually)



This touch button is used to turn on/off the induction function.

A. Short touch to turn on the induction function. It can auto-turn on the light when people are close to the controller in 1 meters. It can auto power off the light when the body is far away from the controller after 30 seconds.

B. Long touch to turn off the induction function.

C. Note: When you touch the light button to change the light modes, the induction function will automatically turn off. It is best to turn on this function after selecting the light color and adjusting the brightness you want.



ATTENTION PLEASE

1. If there is no touch response suddenly, Re-plug the power to reset the touch static electricity.
2. If you have any questions when installing, please feel free to contact us. Thank you.

