

# ASSEMBLY INSTRUCTIONS

## AVENUE SWIVEL BARSTOOL

### IMPORTANT

- THE PRODUCT YOU HAVE PURCHASED WILL GIVE YOU MANY YEARS OF SERVICE IF YOU FOLLOW THE GUIDE LINES FOR ITS SAFE ASSEMBLY AND PERIODIC MAINTENANCE AND CLEANING.
- DO NOT USE ANY TOOLS OTHER THAN THOSE SHOWN.
- ANY SPANNERS OR ALLEN KEY REQUIRED ARE INCLUDED WITH THE FITTING KIT.
- DO NOT FOR ANY REASON USE A POWER TOOL TO ASSEMBLE THIS PRODUCT. IT'S USE WILL INVALIDATE ANY CLAIM YOU MAY HAVE AND COULD MAKE THIS PRODUCT UNSAFE.
- DEPENDING ON THE AMOUNT OF USE, IT MAY BE NECESSARY TO TIGHTEN UP THE FIXING FROM TIME TO TIME. THIS IS COMPLETELY NORMAL FOR ANY KNOCK DOWN FURNITURE.
- FOR CLEANING YOU MAY USE A DAMP CLOTH (NOT WET) DRY DUSTER AND WOODEN FURNITURE POLISH.
- FOR PRODUCT THAT INCLUDE SEAT PADS : SEAT PADS MAY STAIN OR MARK IF ALLOWED TO COME INTO CONTACT WITH WET OR DAMP OBJECTS AS MATERIALS USED HAVE NOT BEEN SCOTCH GUARDED.

Please read instructions carefully

- 1) Remove all wrapping materials, staples and packing straps from the carton.
- 2) Refer to Parts List and Hardware List and ensure they are complete before you start assembling.
- 3) Place all wooden parts on a clean, flat and soft surface (e.g carpet or rug) to prevent parts from being scratched.
- 4) Do not fully tighten bolts and nuts until all parts have been assembled.

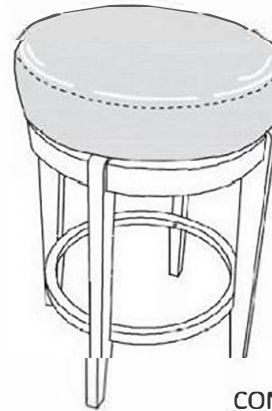
#### PARTS LIST (FOR 1 NO. OF STOOL)

NO.	COMPONENT	QTY.
P1	CHAIR ROUND APRON	1
P2	LEG	4
P3	STRETCHER	1
P4	CUSHION SEAT	1

#### HARDWARE LIST (FOR 1 NO. OF STOOL)

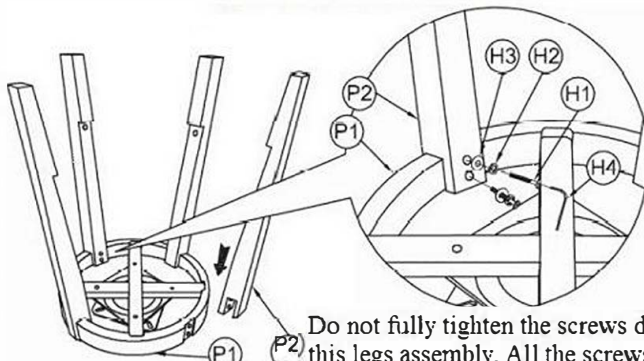
NO.	DESCRIPTION	QTY.	EXTRA
H1	M6 X 35 JCBC SCREW	12	1
H2	SPRING WASHER	16	2
H3	FLAT WASHER	12	2
H4	ALLEN KEY	1	
H5	NAIL LEG	4	2
H6	M6 X 20 JCBC SCREW	4	1

\*Extra hardware for spare use.



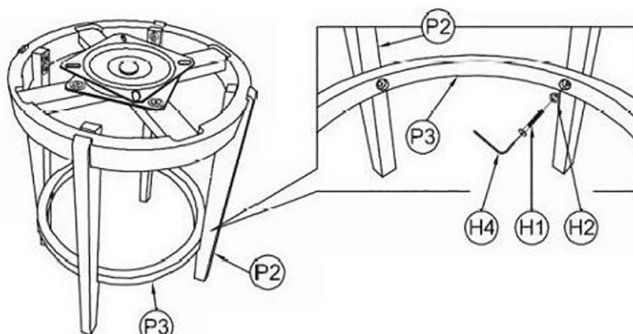
COMPLETE ASSEMBLY

### STEP 1 Assemble Chair Legs 'P2' in to a Round Seat Apron 'P1'.

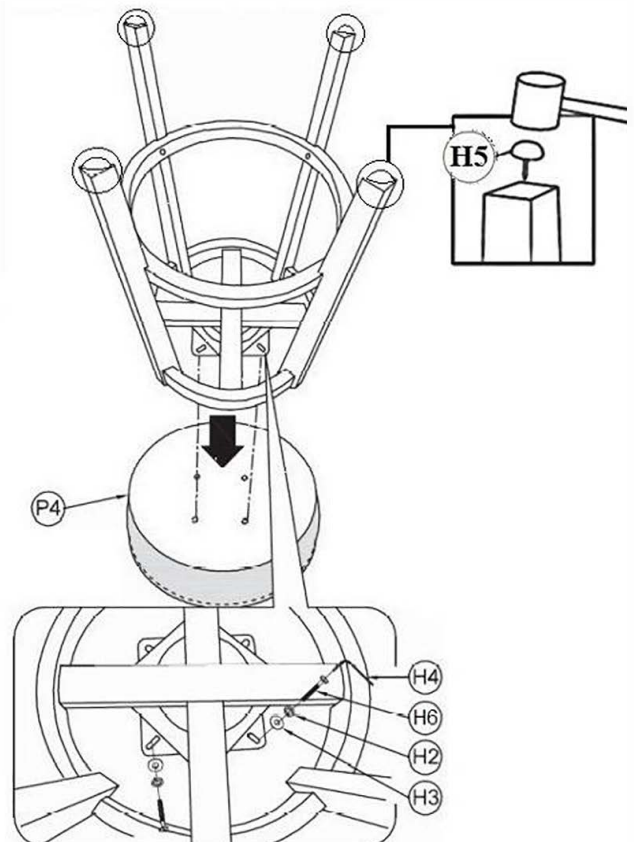


Do not fully tighten the screws during this legs assembly. All the screws to be fully tighten after assembly of stretcher (STEP 2) is done.

### STEP 2 Attach the stretcher 'P3' to Chair Legs 'P2'.



### STEP 3 Attach Cushion Seat 'P4' into Chair Frame.



- CAUTION - To avoid any risk of suffocation to children and animals, dispose off plastic bags immediately.
- Keep all hardware parts out of reach children.