

BEU-404-000 AUTO A/C COOLING&WARMING EVAPORATOR

1, SPECIFICATION:

NAME:BEU-404-000 AUTO AC COOLING&WARMING EVAPORATOR

FUNCTION:MAKING AIR IN CAR WARM

ADVANTAGE:32 ALU PIPE,GOOD MOTOR

SIZE:400*320*145MM

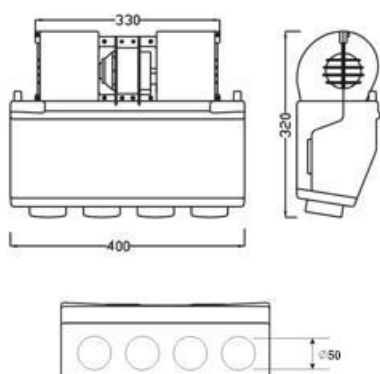
VOLTAGE:12V

STALLS:3

N.W:4.8KG

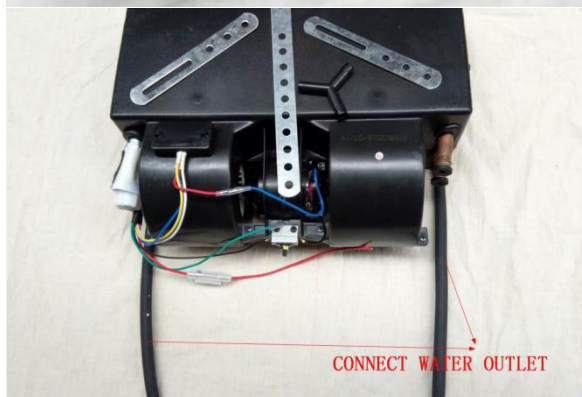
CARTON MEAS:510*400*200MM

TECHINICAL DATA PHOTOS:



TYPE	VOLTAGE	STALLS	ELECTRIC CURRENT	ROTATING SPEED	UNIT AIR VOLUME(FRONT)
404	12V	1	2.4 A	2300RPM	570FT/MIN
		2	3.1 A	2850RPM	690FT/MIN
		3	4.0 A	3540RPM	880FT/MIN

2, How to install 404 cooling&warming evaporator?



Easy to install, and you just need 4 steps:

a, Choose a suitable place in the car cab interior and fix the evaporator well;

b, Connect the power cable. Make sure the red line to connect "+", the green line to connect AC compressor line, and the black line to connect "-" or put with the metal after the motor together;

c, Connect the water tube. Make the two pipes to connect the water tank intake pipe.

d, Connect the water outlet to the water pipe and make its water can flow out, you would better make the water pipe towards the ground.

3, Frequently Asked Questions:

Question one: how about this evaporator cooling & warmth effect?

Answer:

This evaporator can cool the air to be zero 4 degree at best, and often can be between zero 2 and zero 4 degree.

This evaporator is for plumbing, the temperature depends on the water temperature of the water tank. If the water tank water temperature is low, please check the malfunction and find the reasons. General speaking, it is caused by the thermostat malfunction or not install the thermostat. Then the copper pipe is better than aluminium pipe in conduct heat. Finally we need know if copper pipe quantities more, and the coil bigger, then the effect of warmth better!

Question two: is it easy to install this evaporator in the car?

Answer: Yes, simple and easy! You should note for these below: a, before installment, open the seal cap for the copper pipe, if air leak out, it is good; if not leak out, pls let the

professionals to check,any problem to contact us.But of course for each goods we check QUALIFIED.

b,to fix this evaporator on the suitable place which can contain,and make the copper pipe to connect intake pipe to enter the water tank and install in series.For the two copper piper,you can install to water tank pipe as your opinion,because we do not stipulate which is inlet,and which is outlet,that depends on your decision.

c,the red line connect "+",it is 12V evaporator,and the green Line connect ac compressor line.

NOTE:This cooling and warming evaporator needs other ac parts like auto ac compressor,receiver drier,condenser,ac hose and etc.It is just a part of the ac system!!!Below for reference:

