

Free Lifetime Warranty

# Ok, let's get rolling

This should be easy, just follow our instructions.

## Estimated time for assembly



45:00

## What you need

- Some of your favourite bubbly or your preferred relaxant
- Use the packaging carton as a working surface to prevent product damage during assembly
- Phillips head screwdriver

## Weight Limitation



90

lbs for top

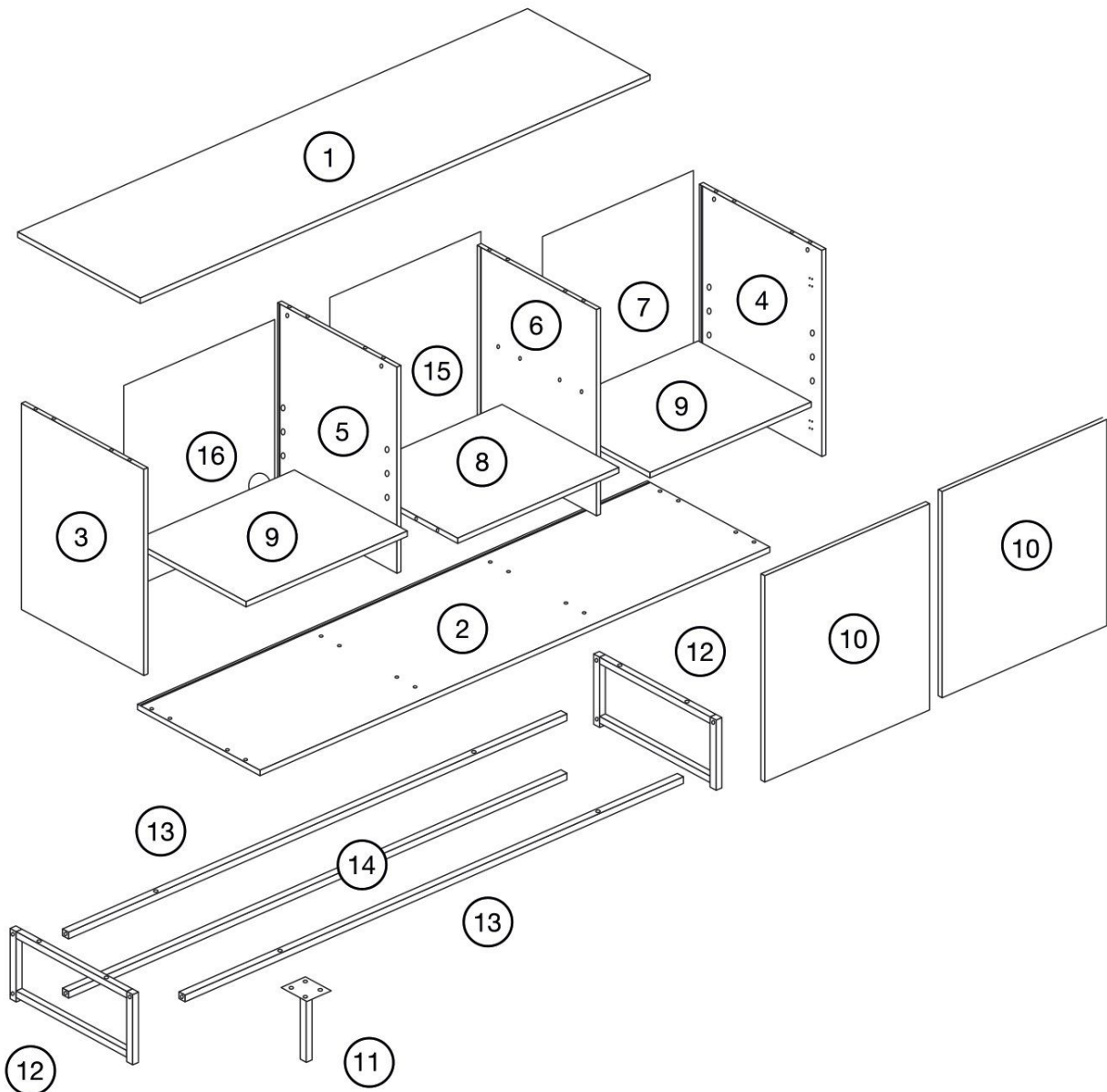
30

lbs per shelf

## What's included

	Description	Qty
1	Top Panel	1
2	Bottom Panel	1
3	Left Side Panel	1
4	Right Side Panel	1
5	Left Middle Side Panel	1
6	Right Middle Side Panel	1
7	Right Side Back Panel	1
8	Middle Shelf	1
9	Side Shelf	2
10	Door	2
11	Center Leg	1
12	Side Metal Frame	2
13	Top Metal Stretcher	2
14	Bottom Metal Stretcher	1
15	Middle Back Panel	1
16	Left Side Back Panel	1

# The goods



## IMPORTANT

1. Do not tighten bolts / screws completely until all bolts / screws are lined up and inserted into holes.
2. Do not over tighten screws and bolts to avoid stripping.
3. Please use hand tools to assemble this product. Do not use power tools.

## What's included

Description	Qty
A M6*35mm Cam Bolt	12
B 15x10mm Cam Lock	12
C M6*30mm Wooden Dowel	20
D M4*35mm Screw	8
E Push Latch	2
F Hinge	4
G Metal Pin	8
H M4*14mm Screw	28
I M6*28mm Bolt	14
J M3*12mm Screw	4
K Allen Key	1
L Leveler	1

# The goods

A



B



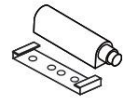
C



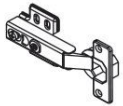
D



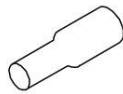
E



F



G



H



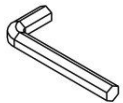
I



J



K



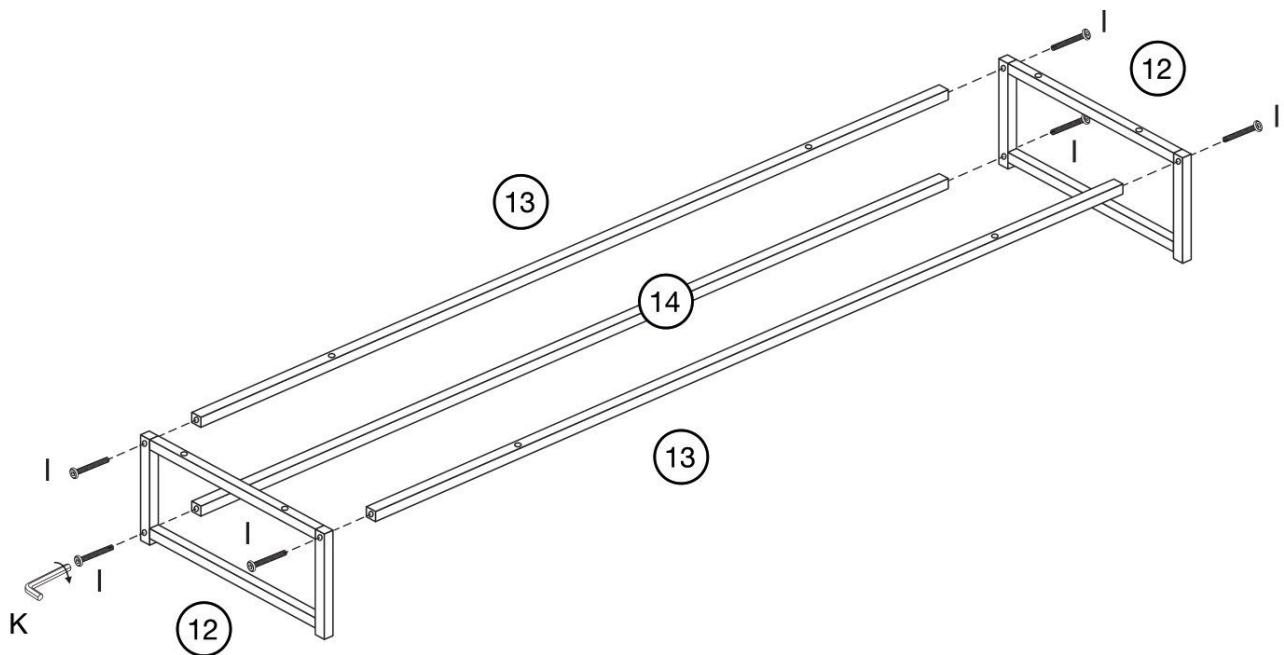
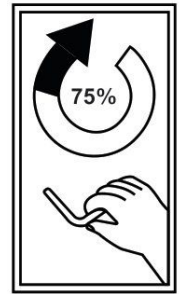
L



# Step 1

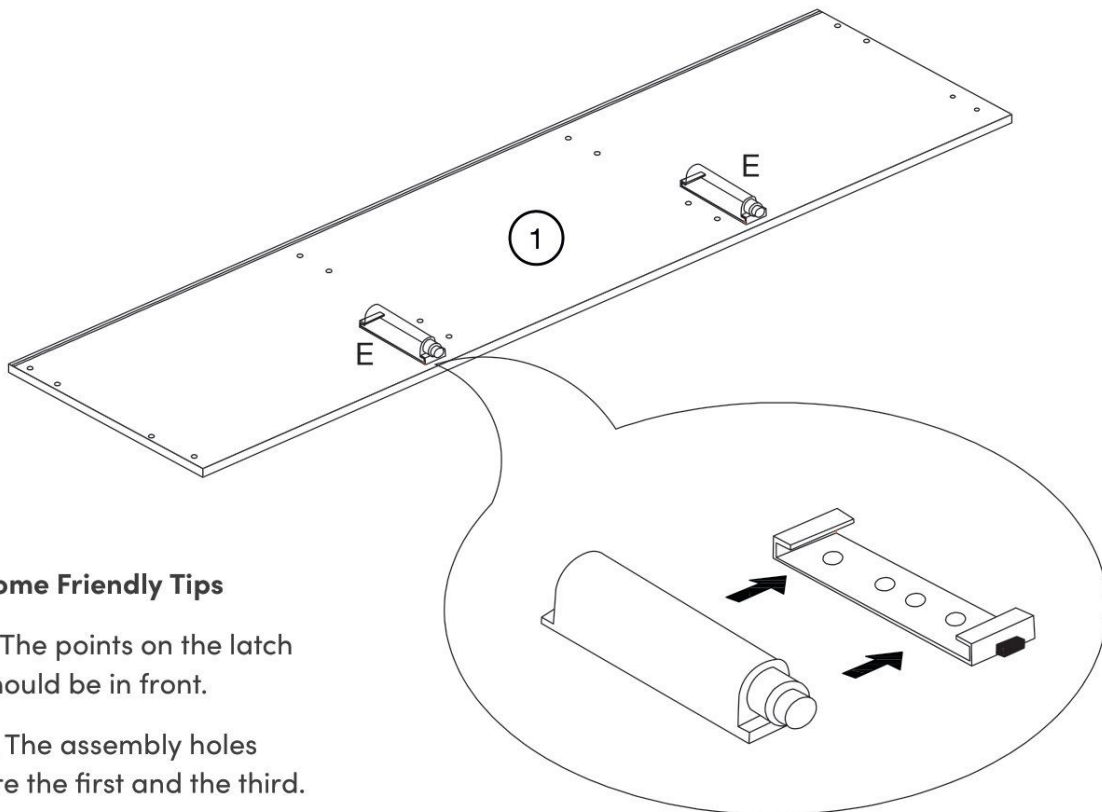
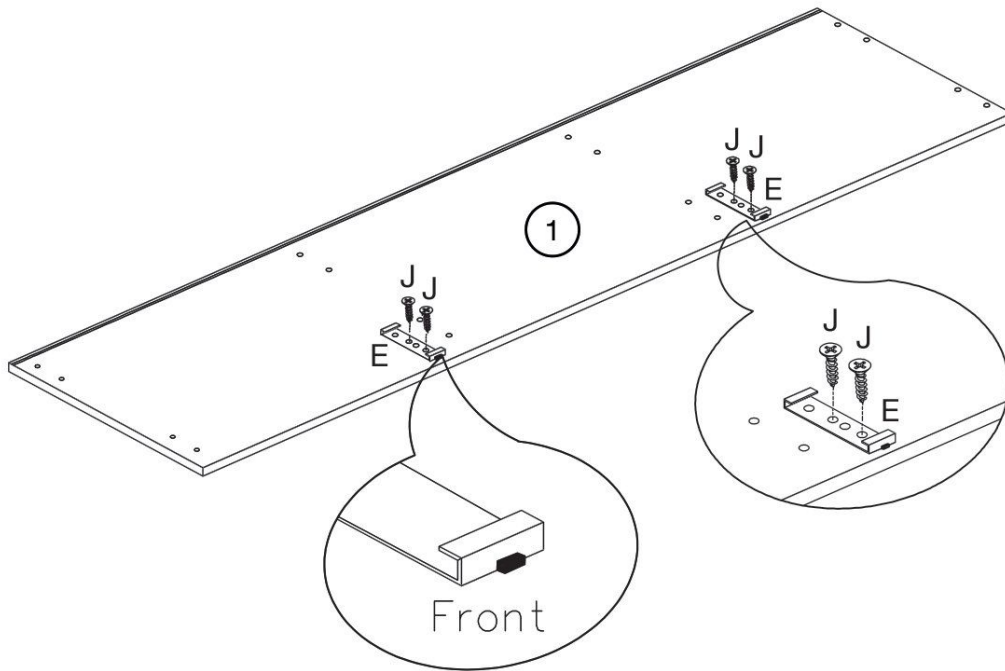
Let's get this thing fired up! Lay down packaging carton or use carpet as a working surface.

Attach parts (13) and (14) to the side metal frames (12).



# Step 2

Attach the push latch (E) to the back of the top unit (1).

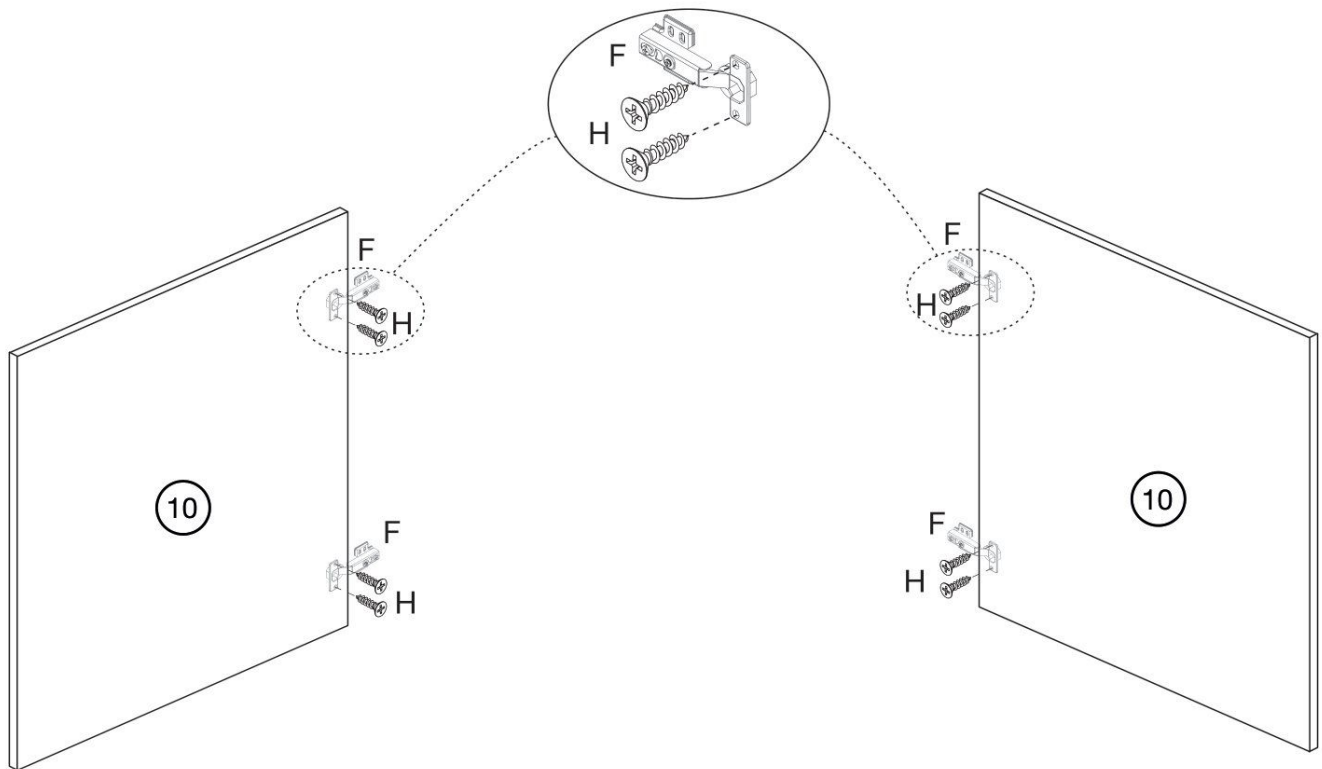


## Some Friendly Tips

1. The points on the latch should be in front.
2. The assembly holes are the first and the third.

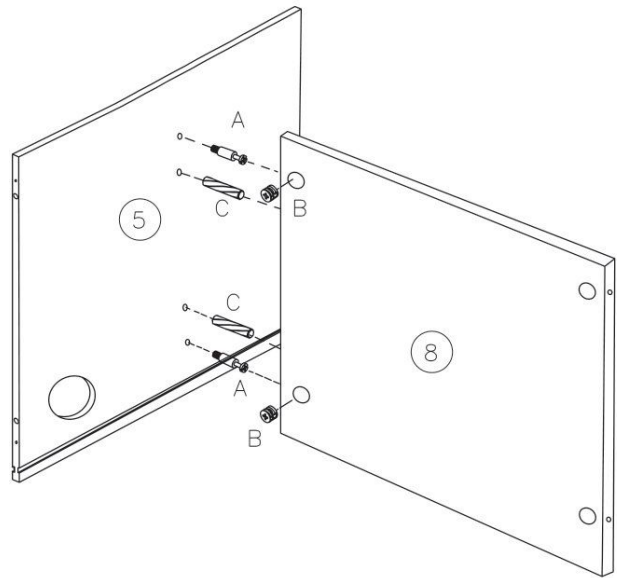
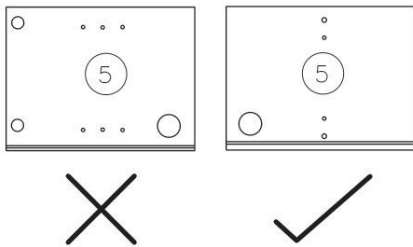
# Step 3

Screw on the metal hinge to the doors.  
Don't forget: righty-tighty!



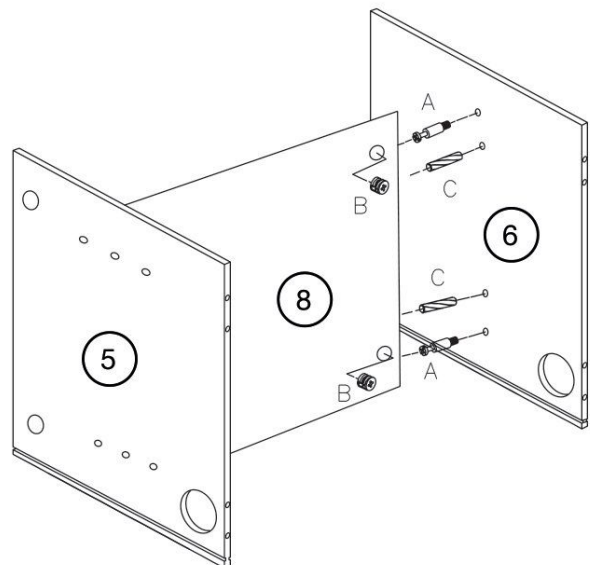
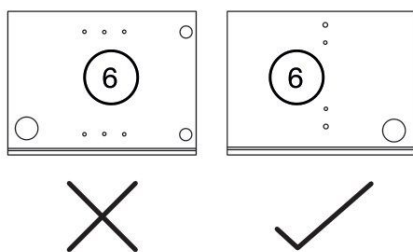
# Step 4

How much wood could a woodchuck chuck...I apologize. Where were we? Attach the left middle side panel (5) with the shelf (8) using the wooden dowels, cam bolt, and cam locks.



# Step 5

Repeat Step 4 with the other side panel (6).



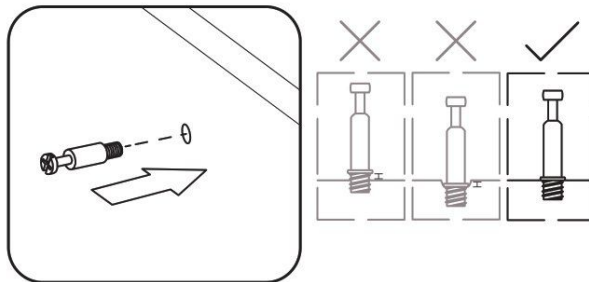
# How to use cam locks

Did you know?

Cam locks are used to join two panels together, usually the edge of one to the flat side of another.

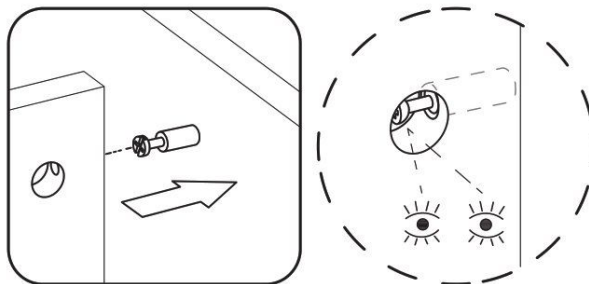
First, your cam bolt (or cam pin) will need to be properly inserted into the flat side of the board.

Important Note: Only tighten the cam bolt until it is secure. Do not over-tighten.



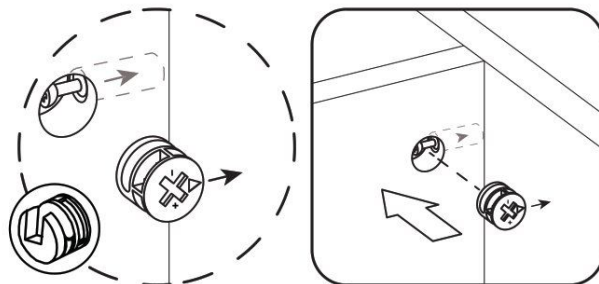
Next, you will fit the proper hole on the edge of the associated joining panel over the cam bolt.

Important Note: When installed properly, the head of the cam bolt will be visible through the larger hole on the side of the joining panel.



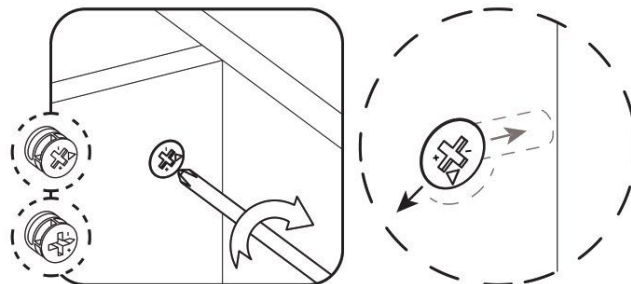
Next, you will notice the cam lock has a "C" shaped back. Commonly, an arrow on the front of the cam lock points in the same direction as the open section on back.

Using these as your cue, insert the cam lock into the large hole so the opening of the "C" fits over the head of the cam bolt.



Using a screwdriver, you will turn the cam lock until it stops, usually between 130° or 180°. You will feel the panels pulling closer until they are secured.

Important Note: Only turn the cam lock until the panels are fully engaged & feel secure. Turning too far may lead to hardware failure.



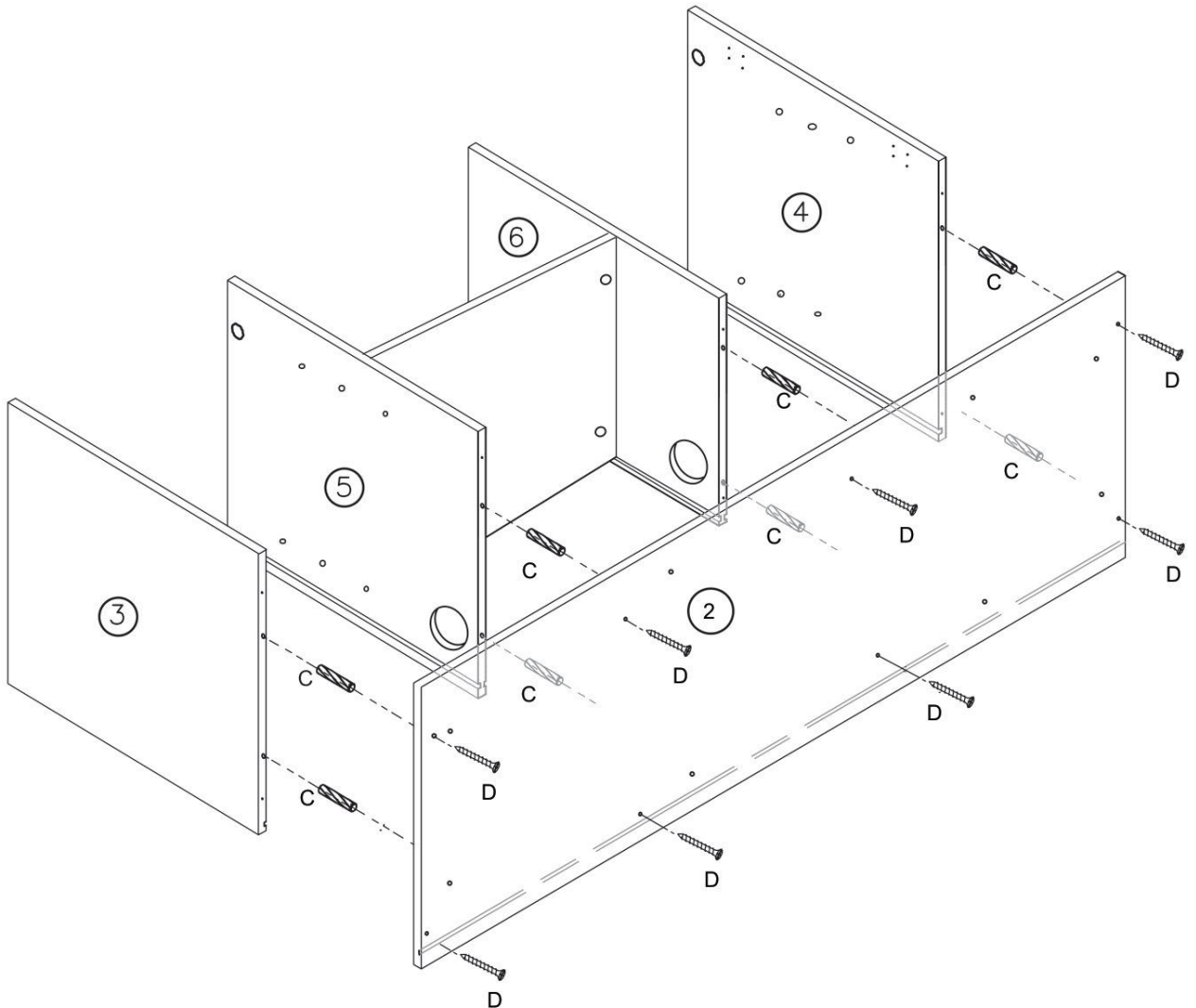
Still having issues?

If a cam lock seems to be spinning in place or is not "catching" or pulling the panels together as expected, first remove the cam lock & try again while making sure that everything is properly positioned & oriented .

If you are still having issues getting things working as expected, first remove the cam lock then unscrew the cam bolt slightly (less than 1 complete turn) to see if that helps with the alignment of the cam lock & bolt .

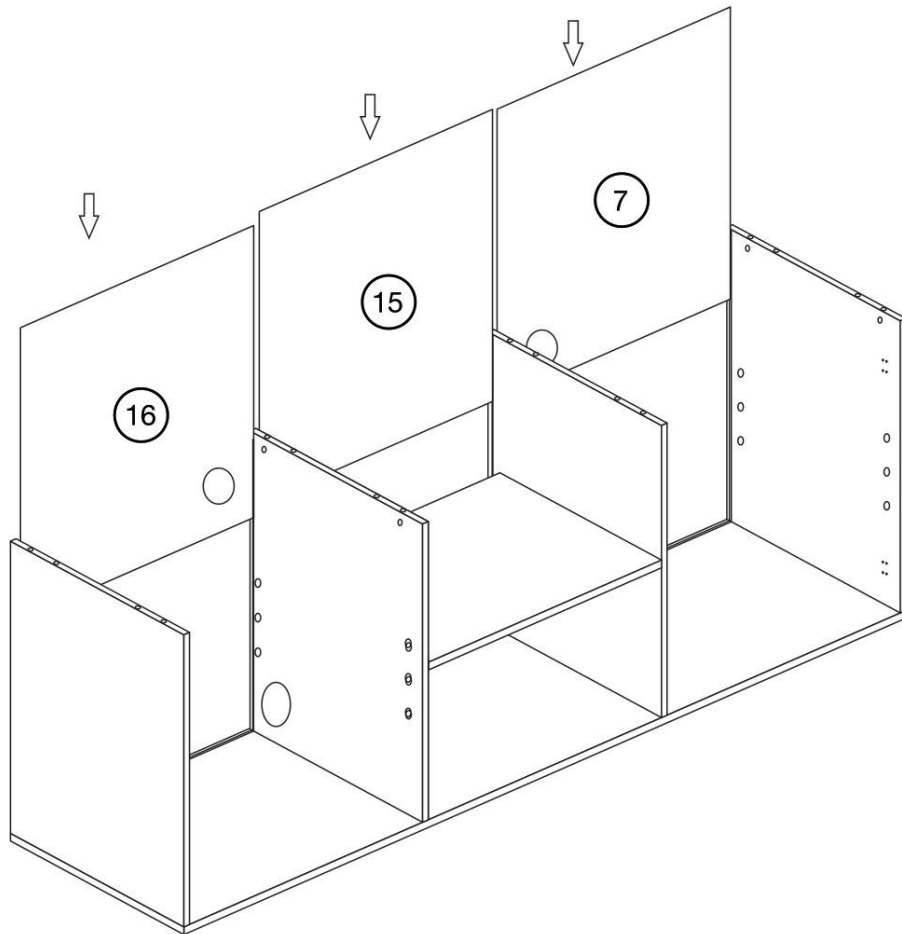
# Step 6

Here come those wooden dowels again.  
But I promise, no more woodchuck jokes



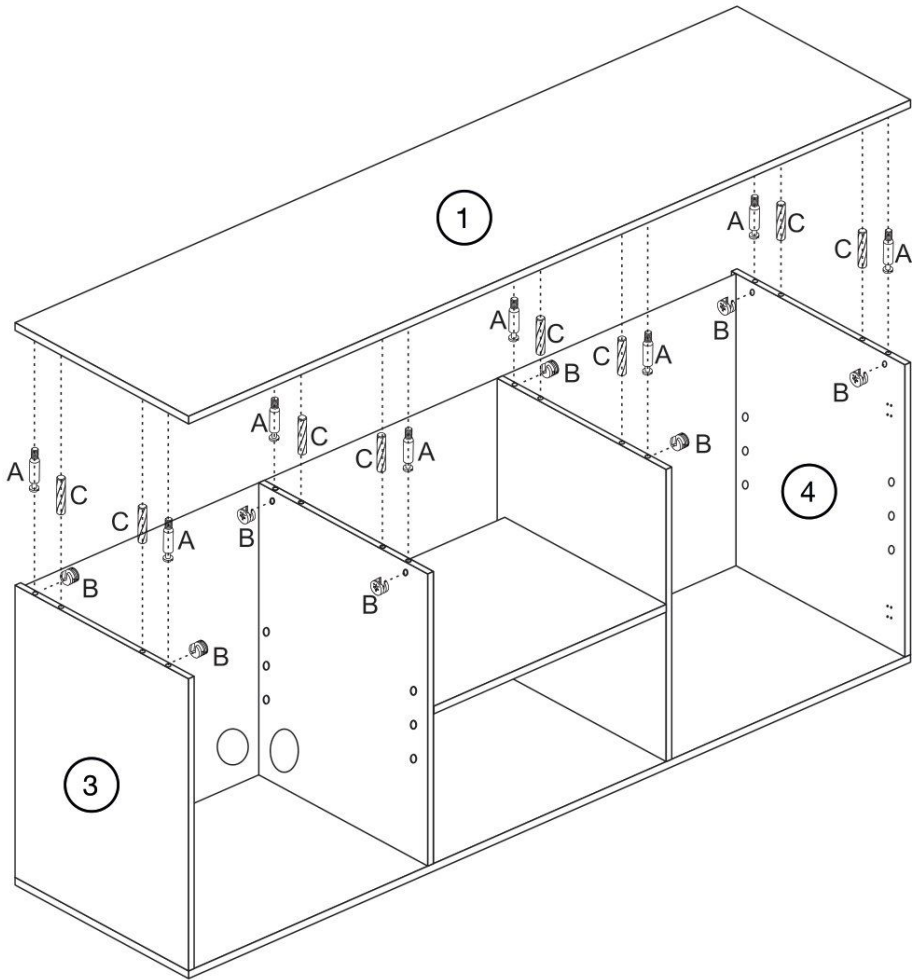
# Step 7

Slide in the back panels.



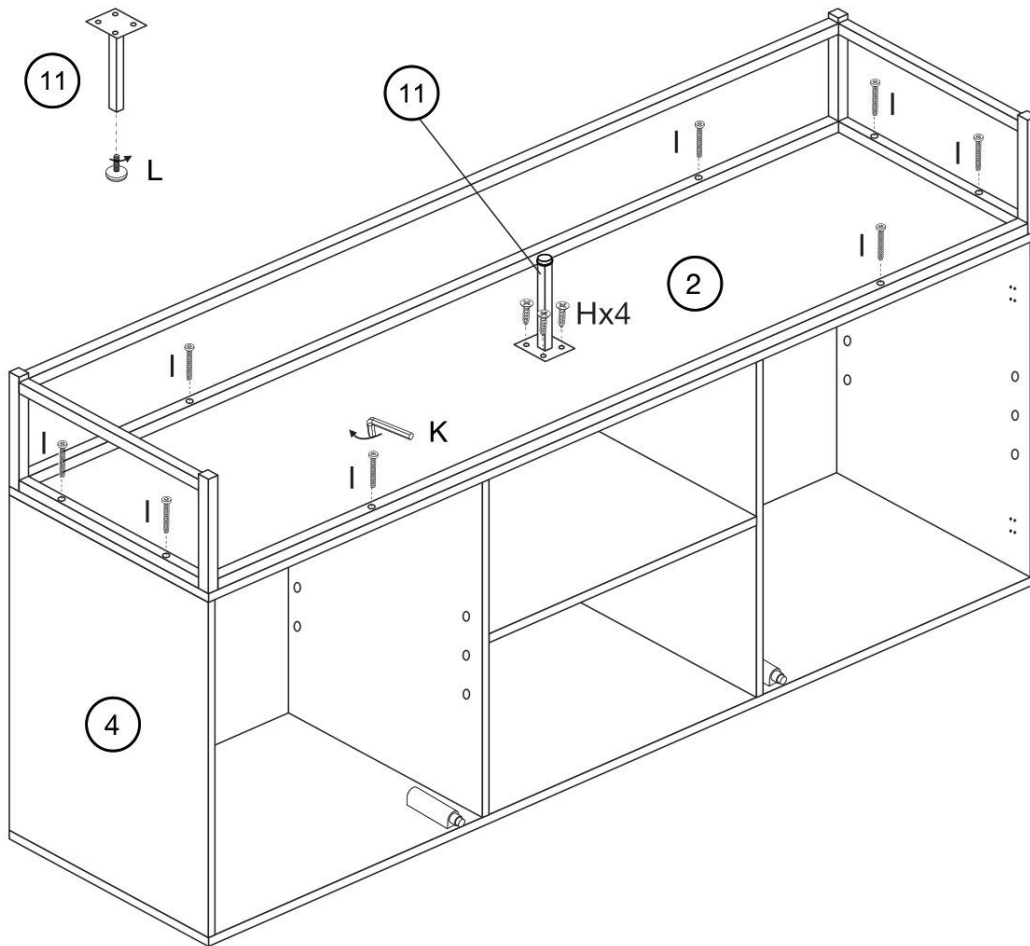
# Step 8

Time to attach the top panel.  
It's all starting to come together!



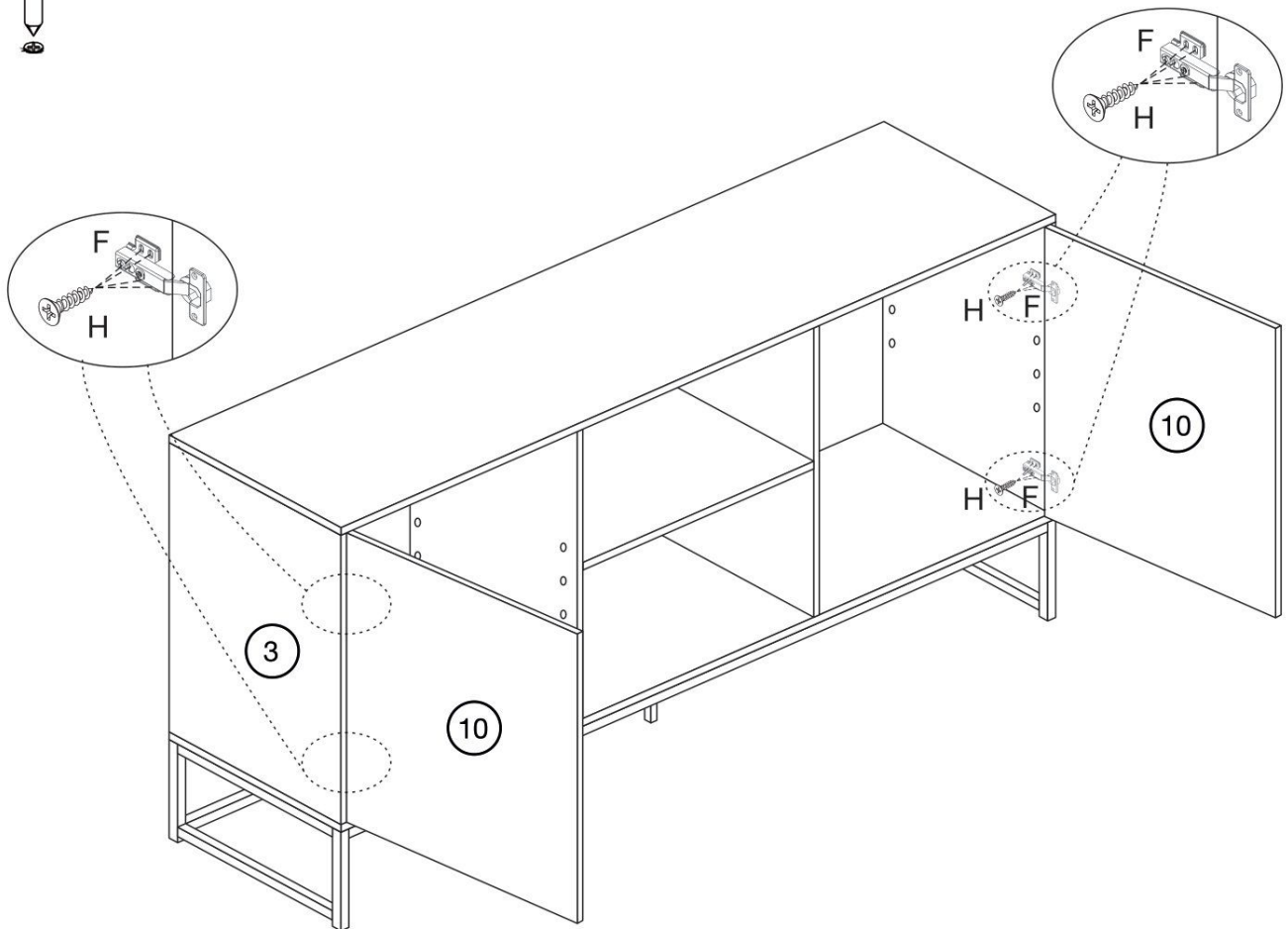
# Step 9

Carefully flip the unit over and attach the base that you completed from Step 1.

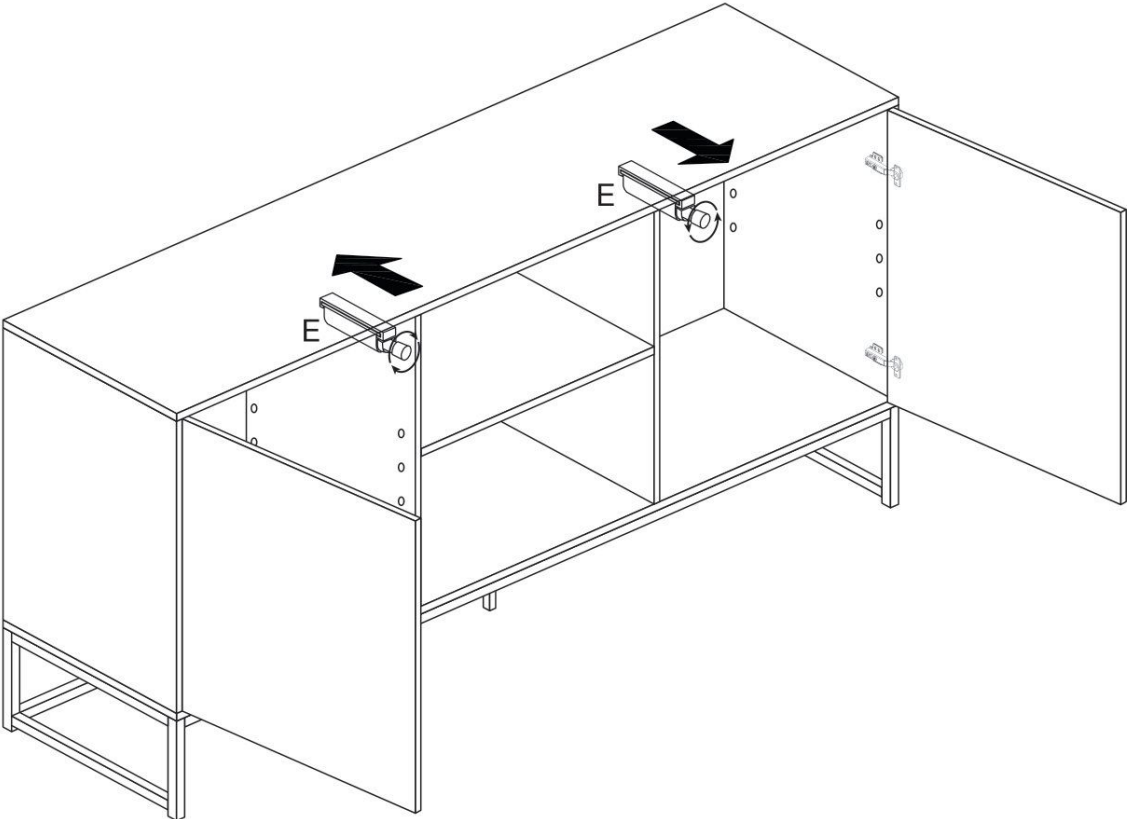


# Step 10

Carefully flip the unit over again so it's right-side-up (this is the last time, I promise). Attach the doors to the unit at the hinges (F).



**ICYDK\*:** These push latches are adjustable! This will keep your doors flush with the front frame.

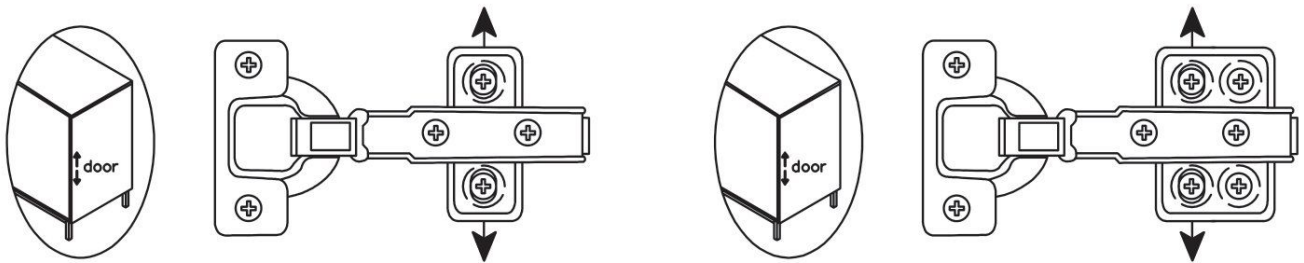


\*In Case You Didn't Know

# Is your cabinet door looking crooked or unevenly spaced?

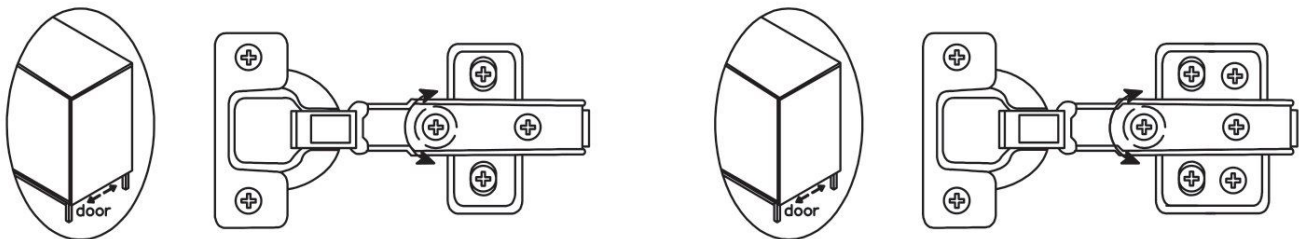
Then you've come to the right place. Follow the illustrations below to get your cabinet door aligned and ready for action.

## If your door is too low or too high...



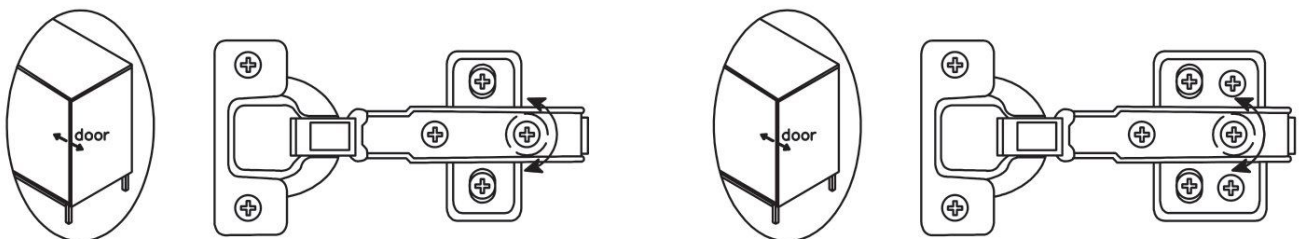
Loosen the height screws, then move the door up or down to make it level.

## If the space between your doors is off...



Loosen the side-to-side screws, then screw counter-clockwise to make the gap wider or clockwise to close any gaps.

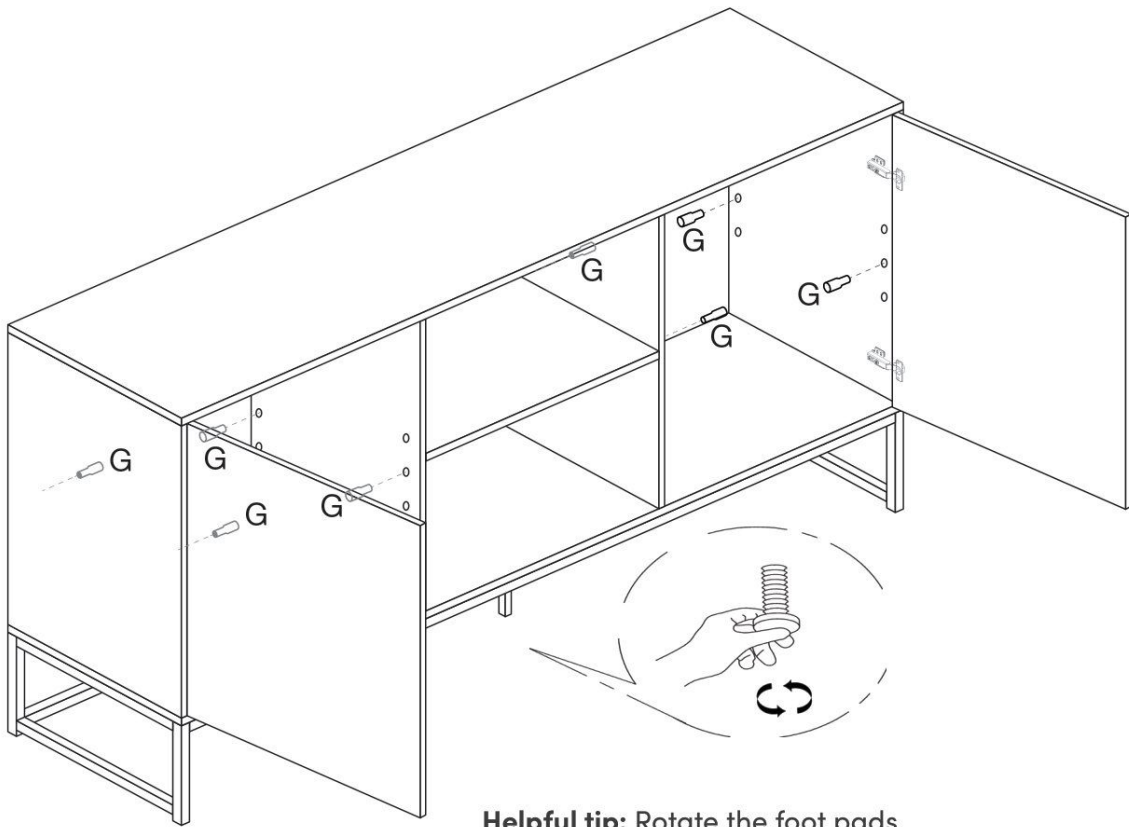
## If you need to adjust the depth of the doors...



Adjust the in-and-out screws until the door is aligned with the side of the cabinet.

# Step 11

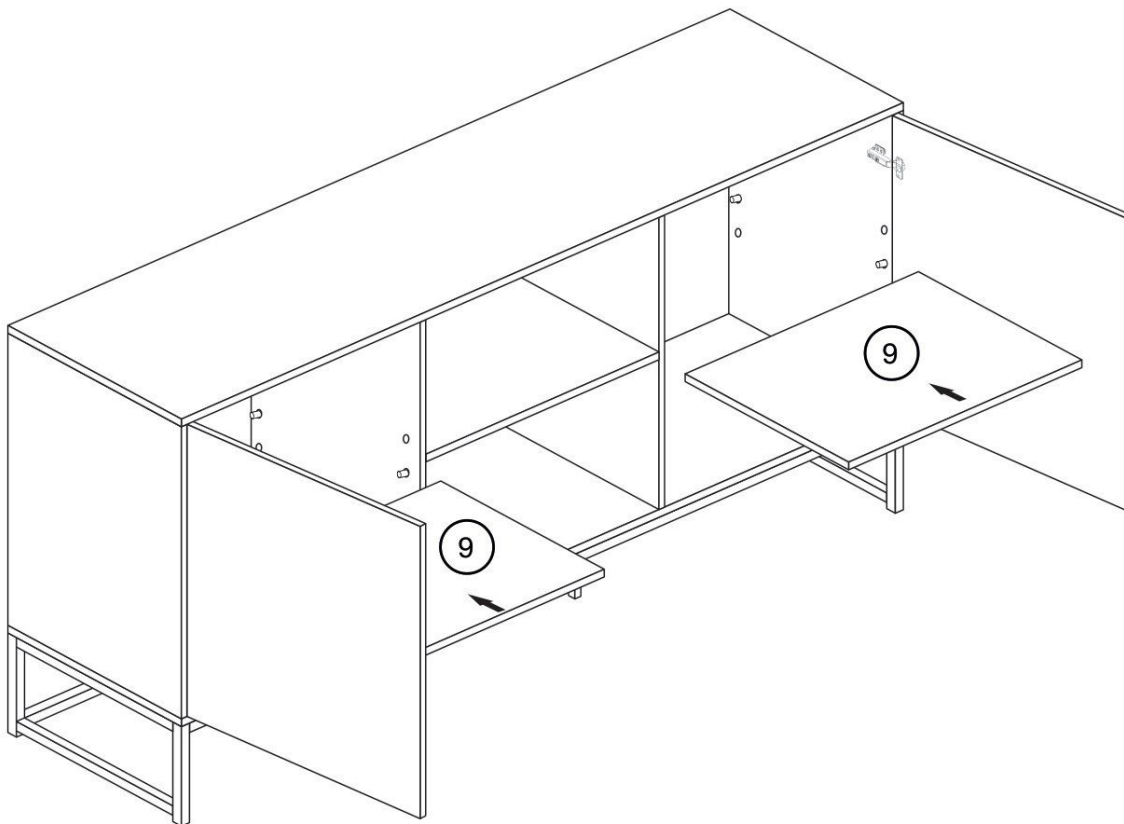
Twist on the metal pins to where you want your shelves to lay.



**Helpful tip:** Rotate the foot pads to stabilize the media unit.

# Step 12

Slide in the shelves and your media unit is officially done! Time to get in your sweats, hop on the sofa, and catch up on your show.

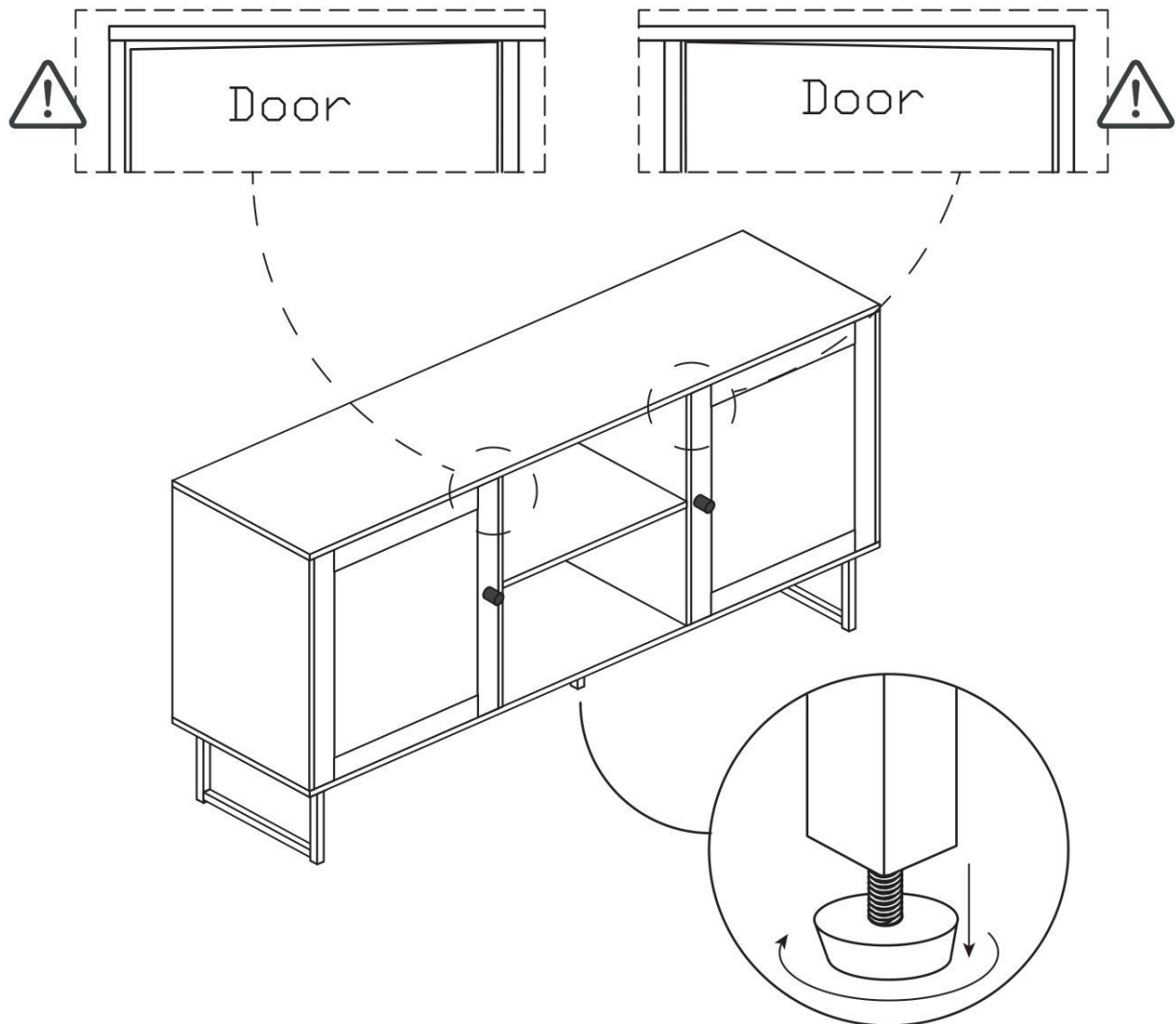


# Are the doors on your media unit jamming or sitting askew?

If your media unit seems to be experience issues with the doors jamming or not closing properly, try adjusting the adjustable foot on the middle support leg under the unit.

This will prove to be especially helpful if you didn't start to notice an issue with the doors until after you started filling the cabinets, shelves, etc...

The adjustable nature of the middle support leg is specifically intended to help prevent the middle of the unit from sagging when loaded with all of your belongings.



# No heartburn, when we handle the return

## Our way



Give us a call

---



Replacement

---



You

## Their way



Re-package item

---



Schedule pick up

---



Track package

---



Replacement

---



You

We really don't want you to go through the hassle of re-packaging your item and sending it back, because let's be honest...nobody has time for that.

# Safety first, fun later

We want your Unit to last as long as possible, so we recommend that you tighten the screws 2 weeks after assembly and for added safety check the tightness of all screws every 2 months.

## Safe use of this product starts with you.

Use this media unit responsibly with the primary concern for your safety. Follow assembly instructions carefully and inspect product upon receipt and each use.

companies cannot be held legally responsible for any injuries or death resulted from failure to follow instructions or improper use of this product.

## Do not modify the structure of this product in any way.

Our products have been tested to meet specific safety measures as they were originally intended to be sold. Any modifications will present the risk of creating significant safety issues which will not be responsible for.

## Proper use

- DO NOT** use for commercial purposes
- DO NOT** climb on media unit
- DO NOT** exceed weight limit
- DO NOT** leave spilled liquid on media unit
- DO NOT** use if media unit is damaged or broken
- DO NOT** make temporary repairs
- DO NOT** use outdoors

# We are only in business if you're happy

For starters, thanks for being you.

We do our best to ensure your furniture arrives without any problems, but occasionally mistakes happen—as humans we are imperfect beings. In the event that a part is damaged or missing, we will be more than happy to provide you with replacement part(s) for free.

## **Warranty**

This product comes with a lifetime warranty from the date of purchase.

### **Did we do alright? Please spread the love!**

If you are happy with your product, tell your friends and family about us or even better leave us a review online. Spreading the word gives us the opportunity to make more people happy and keep our prices low for your next purchase.