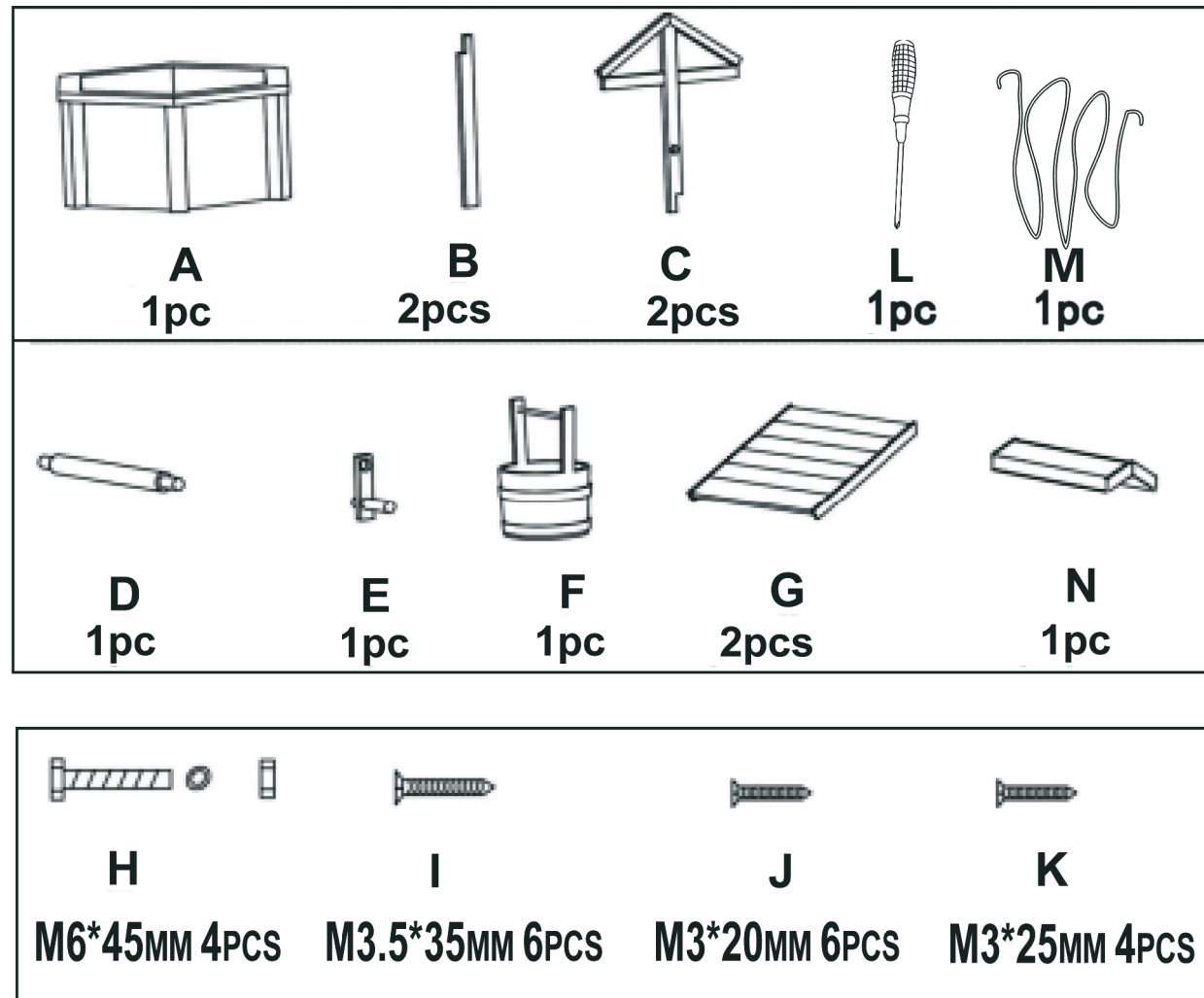


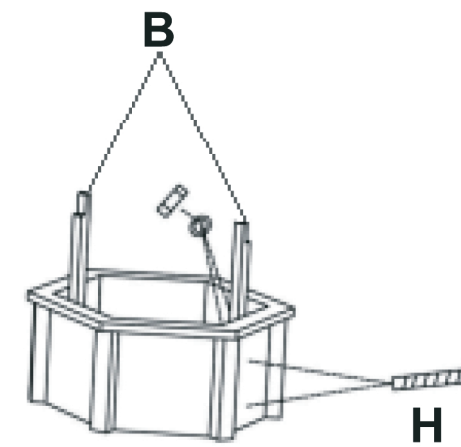
# Wishing Well Assembly Instruction



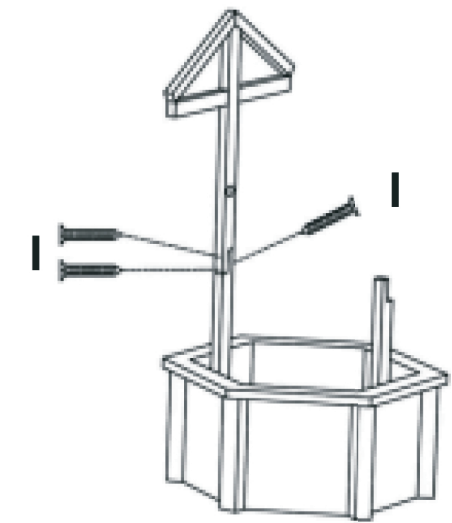
## Tips:

1. Do not tighten the screws until all the screws are lining up with the holes.
2. If you find the screws and holes are not lining up, please loosen the screws, and retighten them in diagonal way.
3. For any parts missing or broken, please contact us immediately for replacement

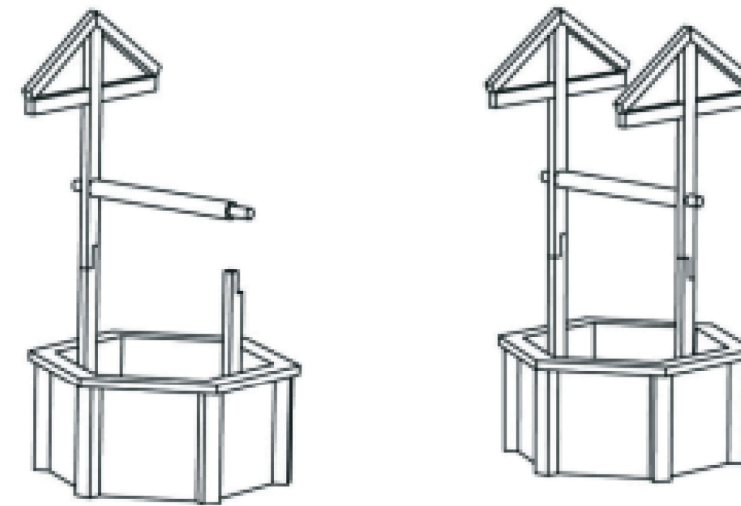
## Step 1



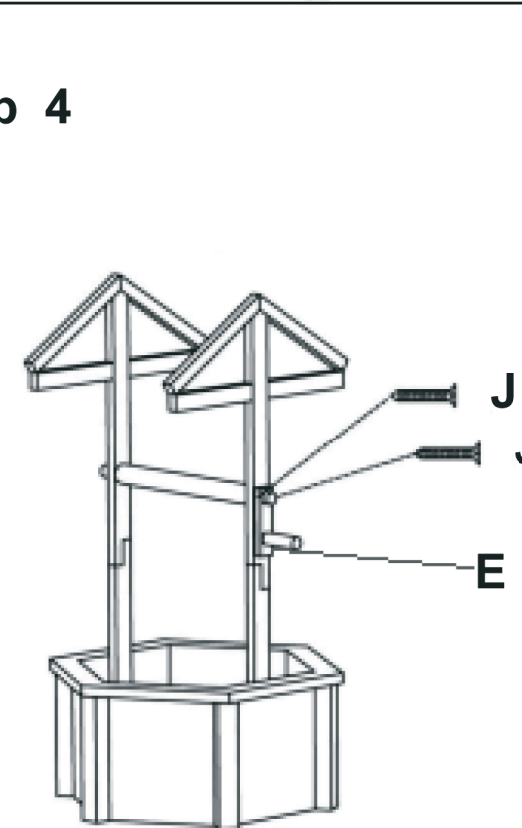
## Step 2



## Step 3



## Step 4



## Step 5

