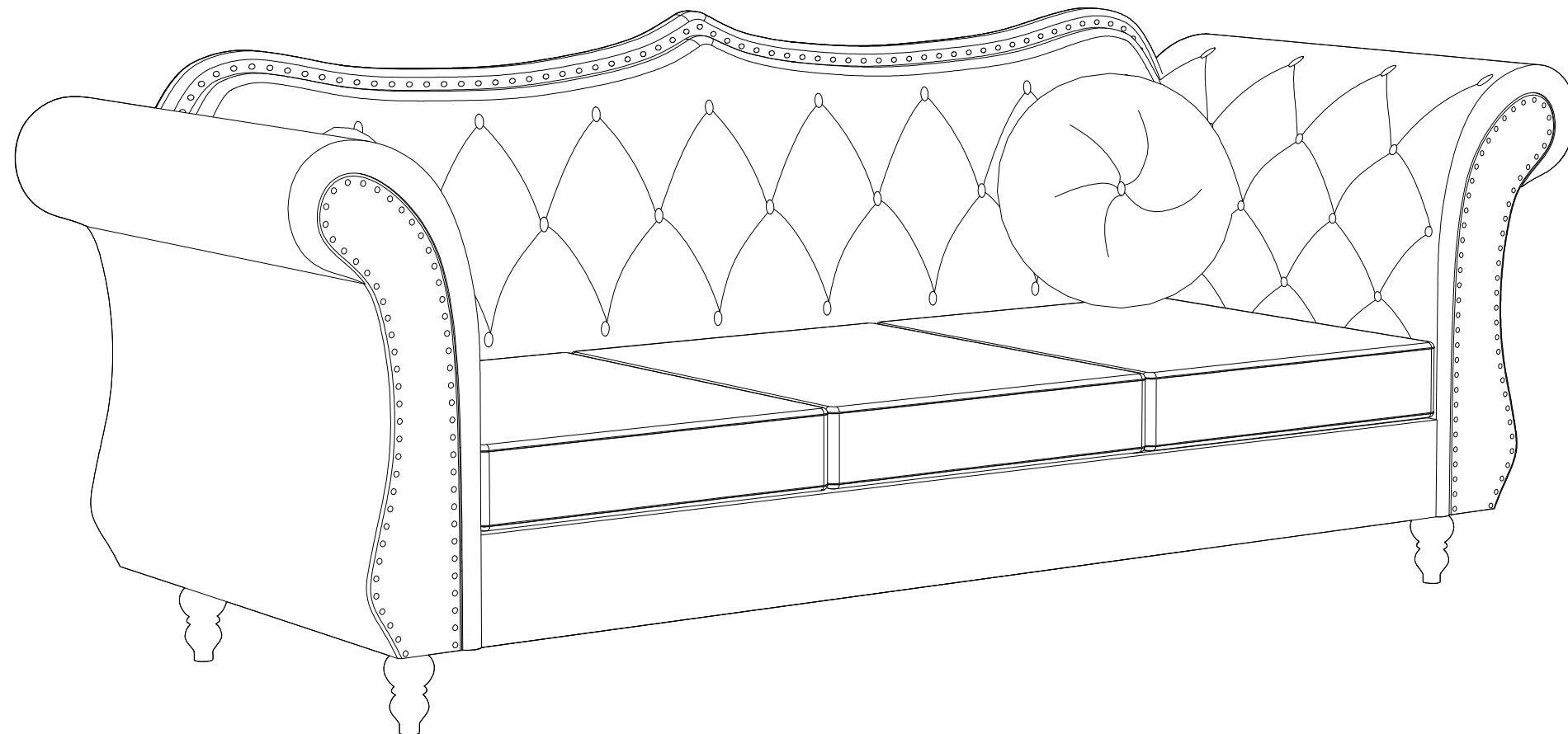


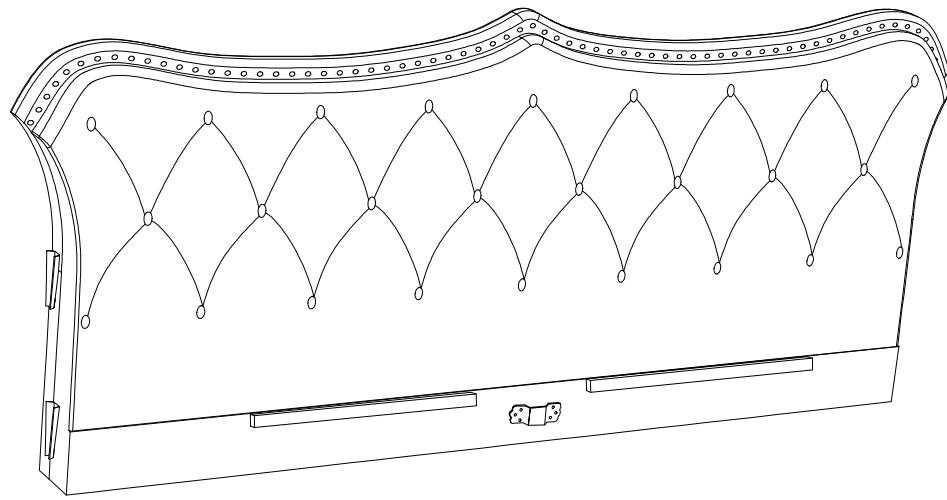
Attention:  
Two people are required for assembly and lifting unit.

# ASSEMBLY INSTRUCTION



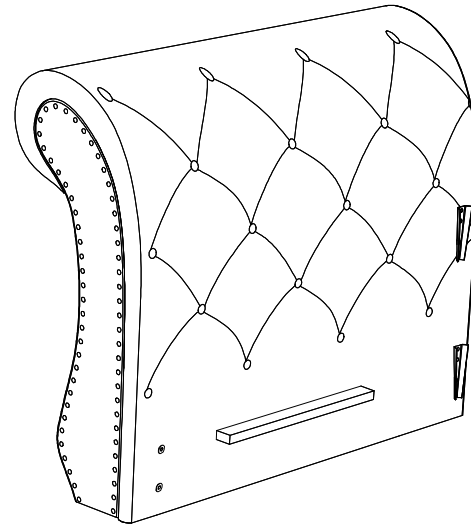
# ASSEMBLY PARTS

1.



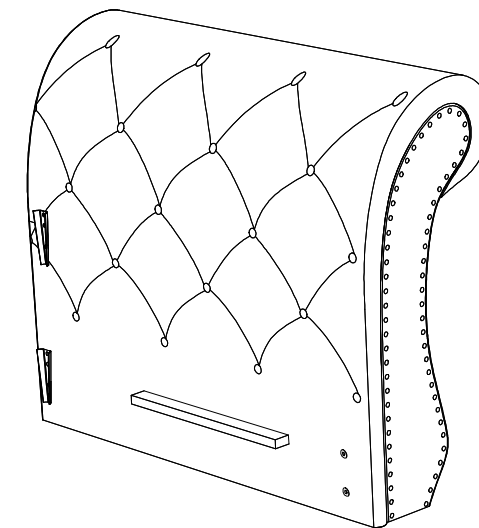
BACK REST (1PC)

2.



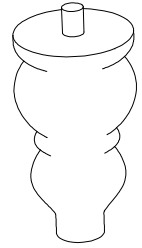
LEFT ARM (L) (1PC)

3.



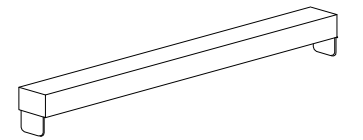
RIGHT ARM (R) (1PC)

4.



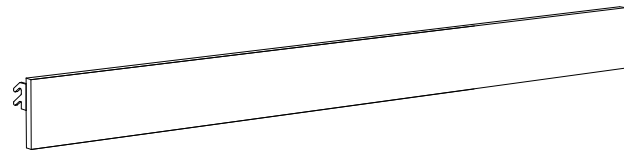
LEG (4PCS)

5.



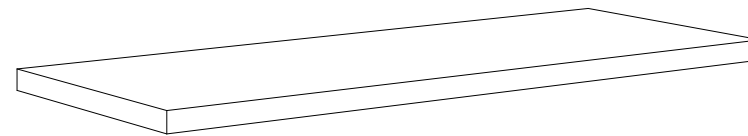
SEAT PANEL SUPPORT (1PC)

6.



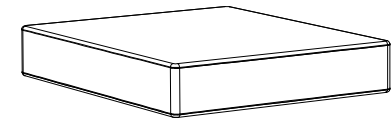
FRONT RAIL (1PC)

7.



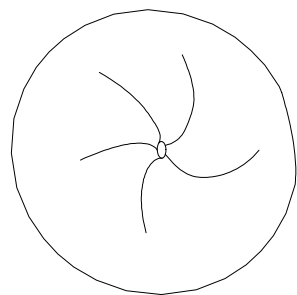
SEAT PANEL (1PC)

8.



SEAT CUSHION (3PCS)

9.



PILLOW (2PCS)



A

1PC

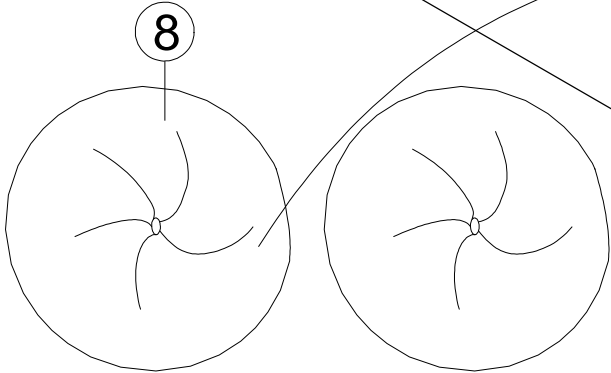
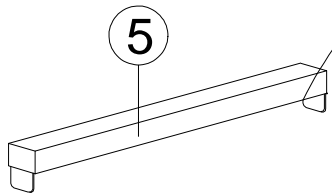
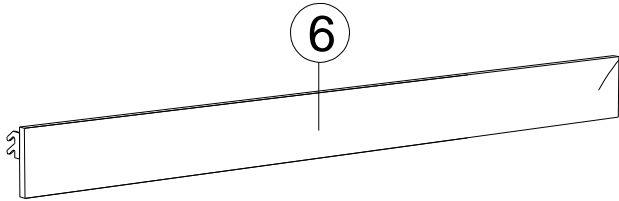
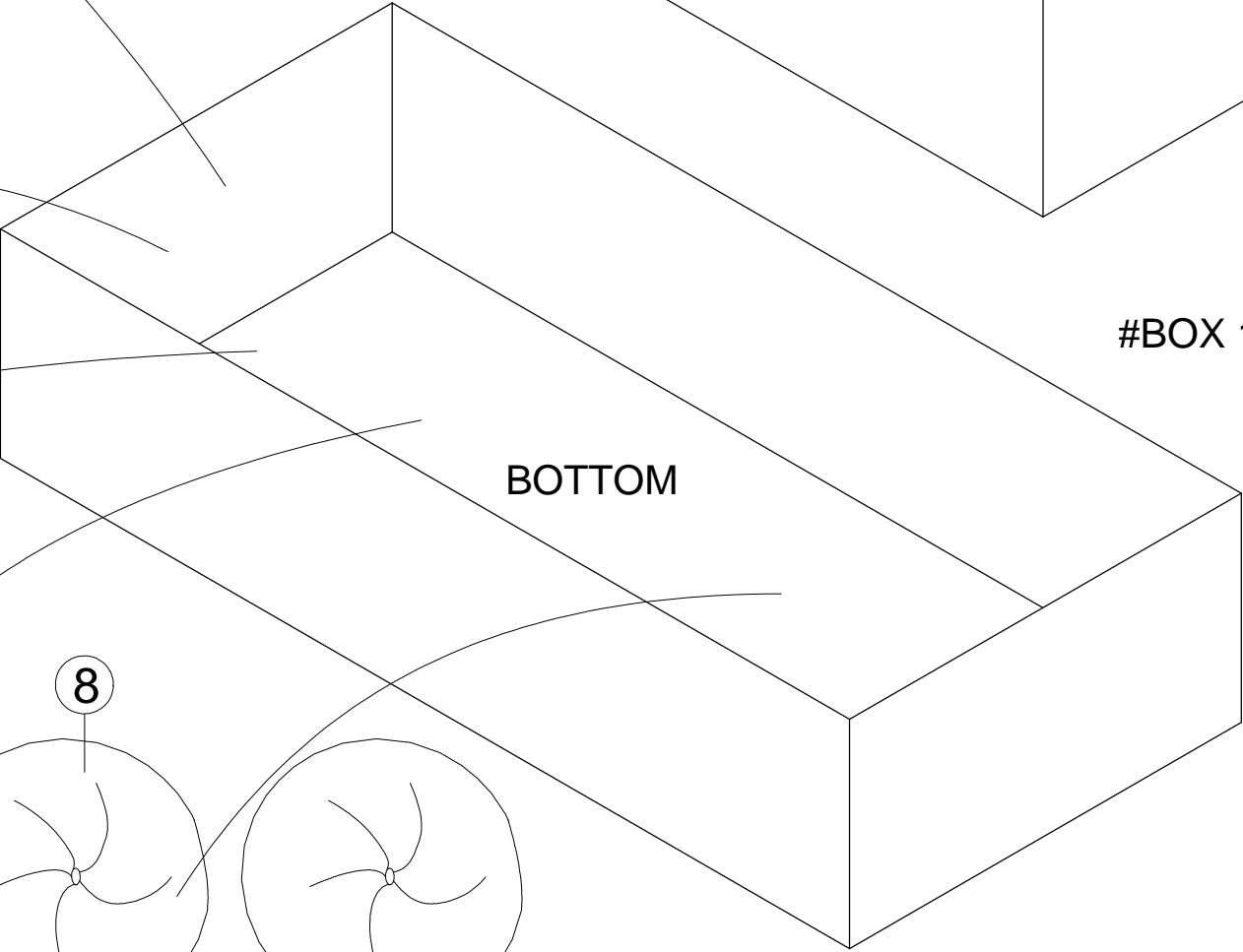
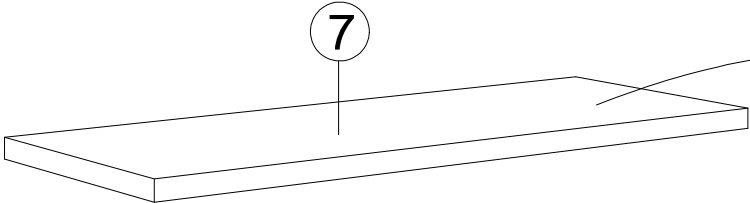
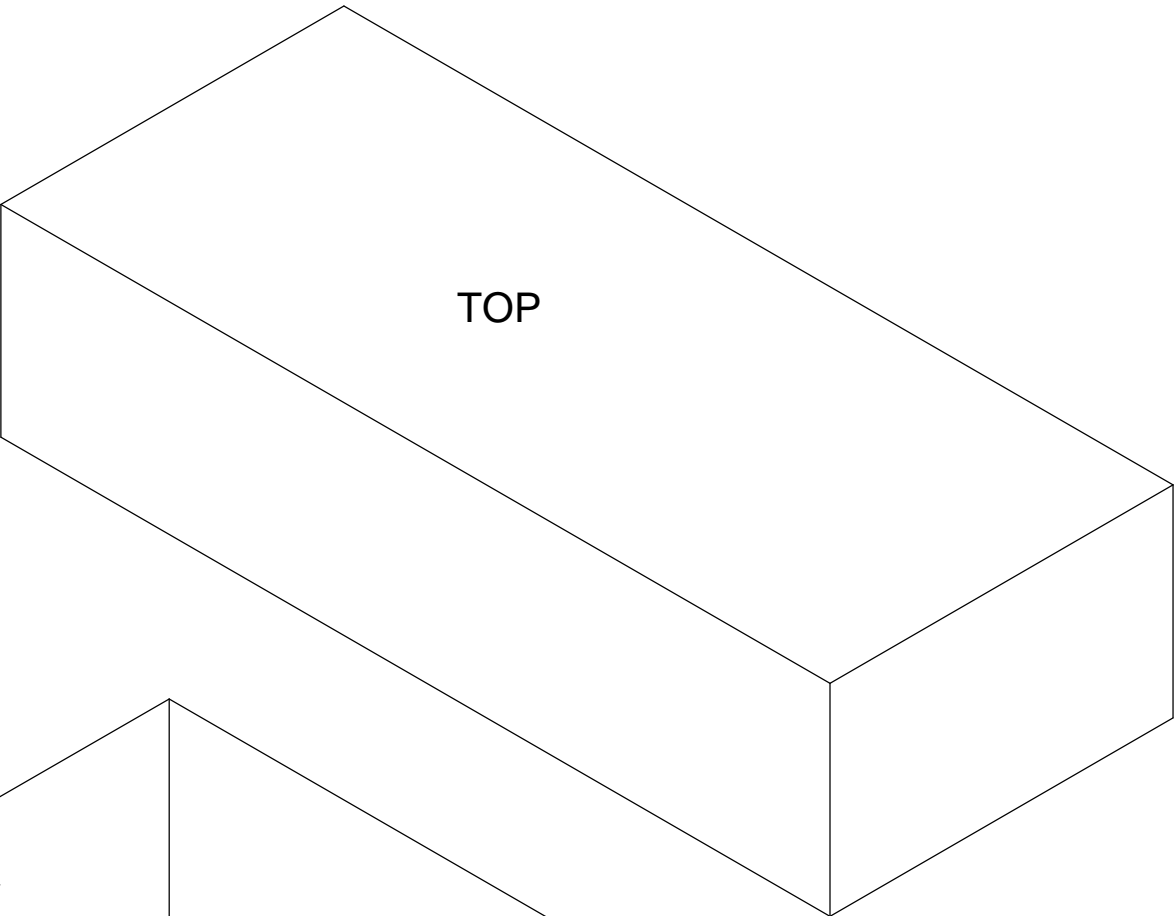
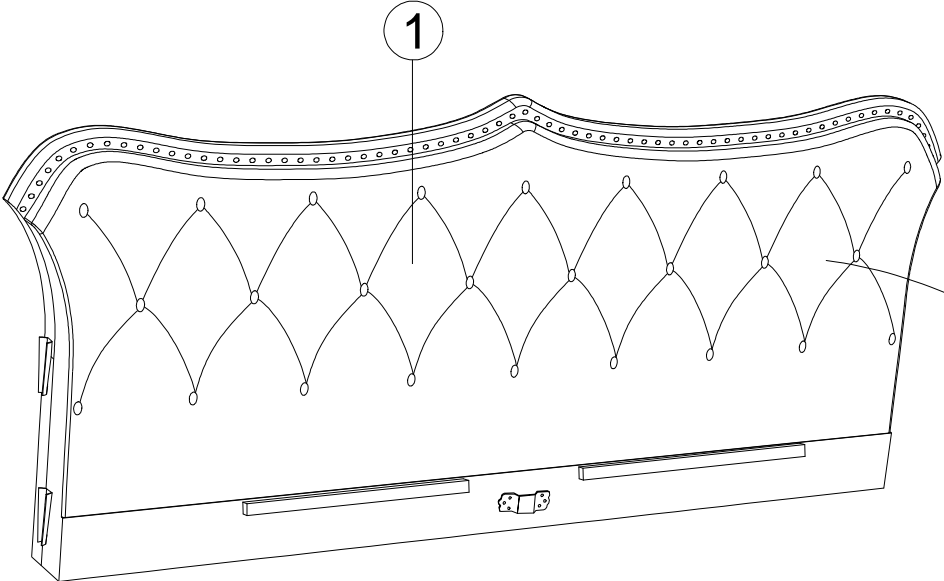
Allen Key M4

1 : 1



ASSEMBLY INSTRUCTION

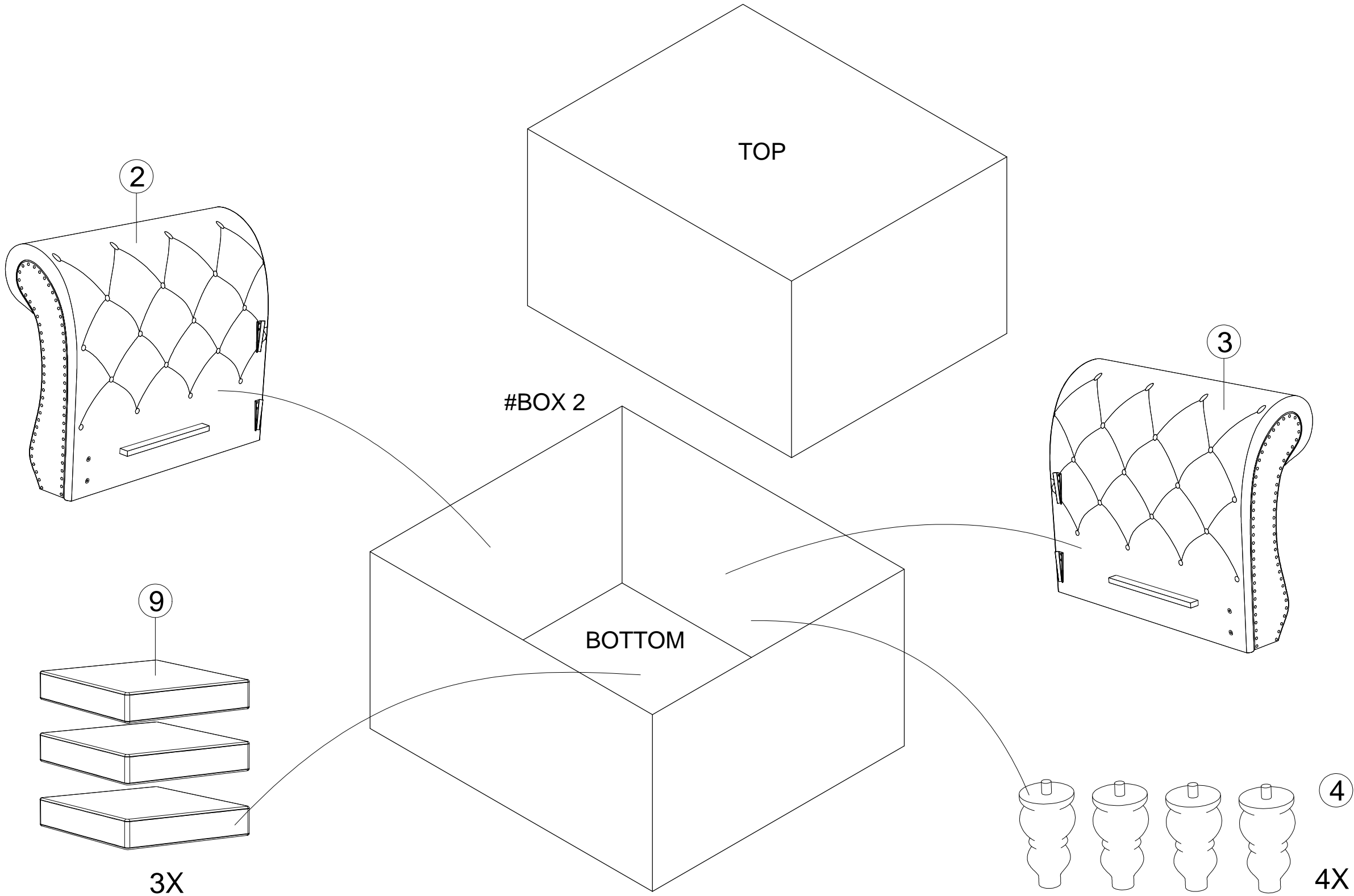
STEP 1.  
For this step remove all the part.



2X

ASSEMBLY INSTRUCTION

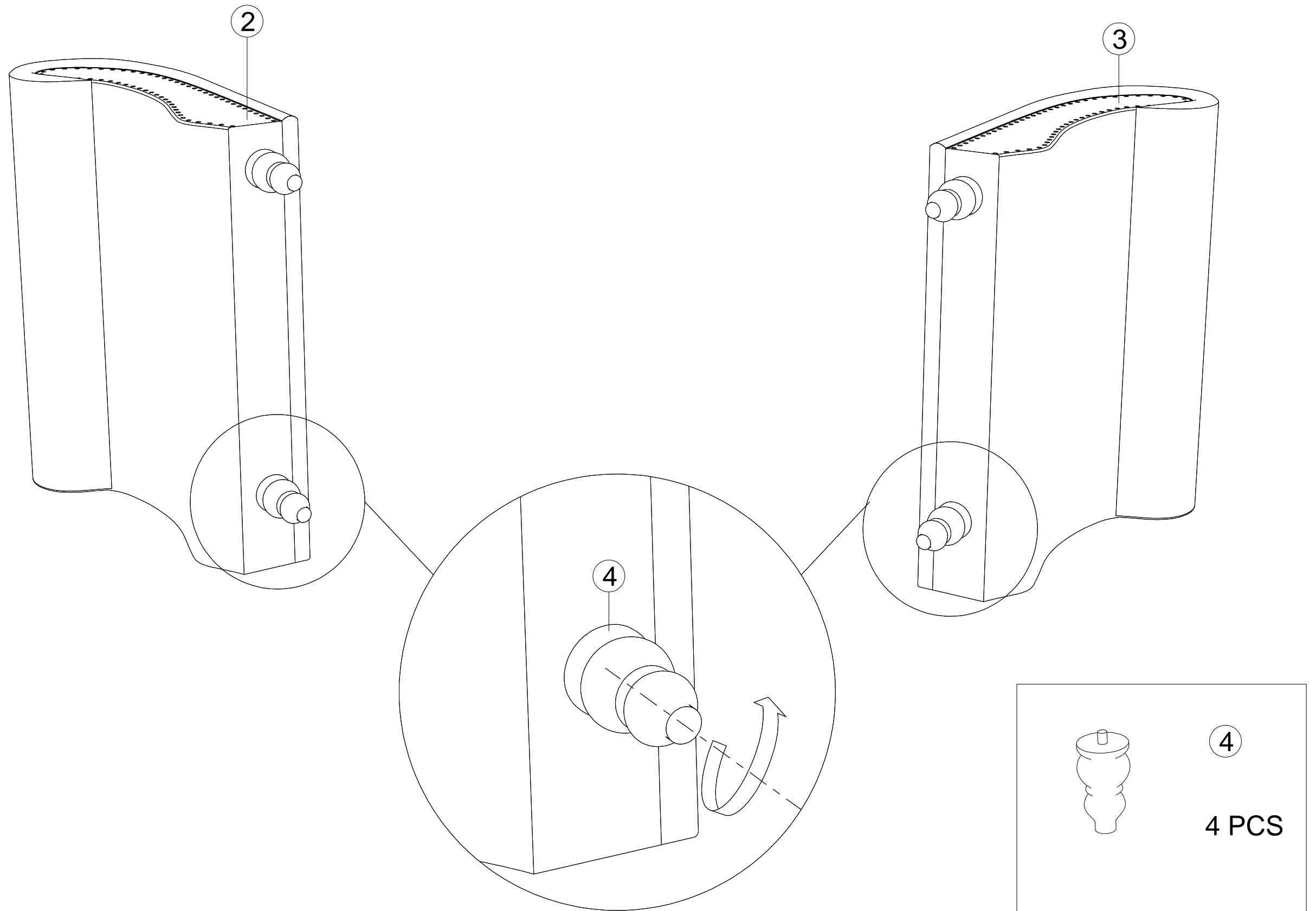
STEP 2.  
For this step remove all the part.



# ASSEMBLY INSTRUCTION

## STEP 3.

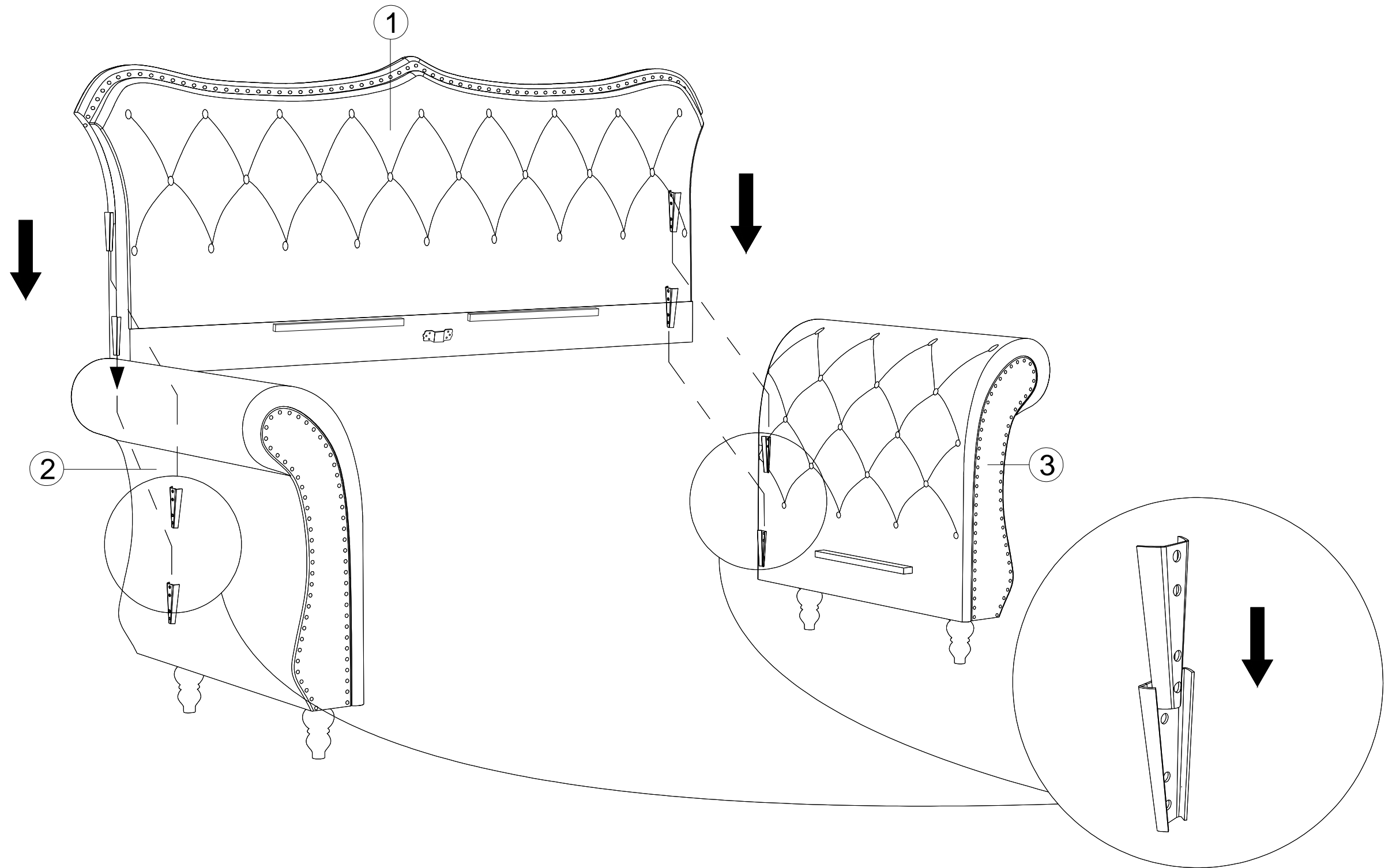
Attach Leg (4) (4pcs) to the Left Arm (2) and Right Arm (3)



# ASSEMBLY INSTRUCTION

## STEP 4.

Hook on the Back Rest (1) into Left Arm (2) and Right Arm (3) securely.

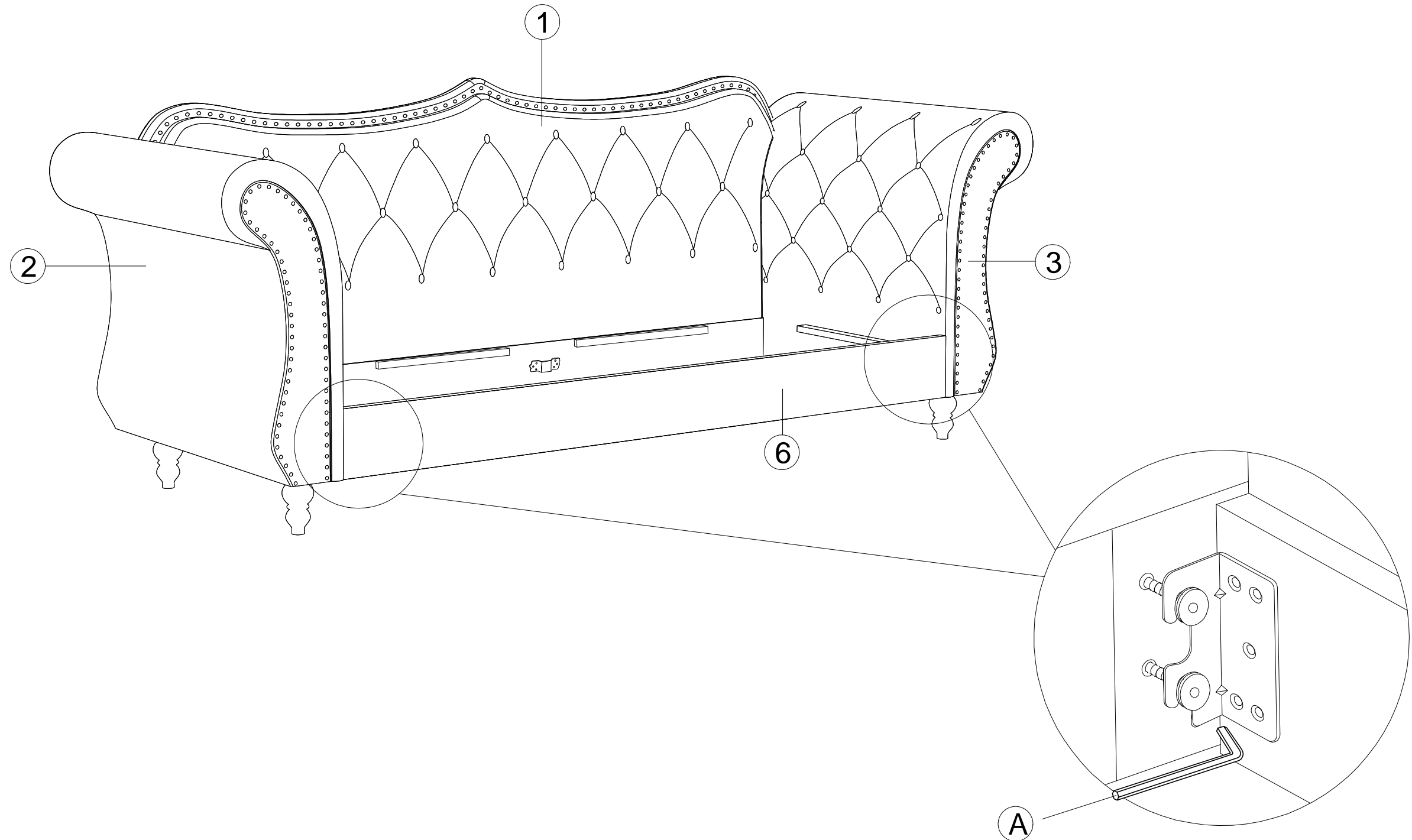


## ASSEMBLY INSTRUCTION

### STEP 5.

Slightly loosen the four bolts using Allen Key (A) without removing the bolts completely from both Side Arms

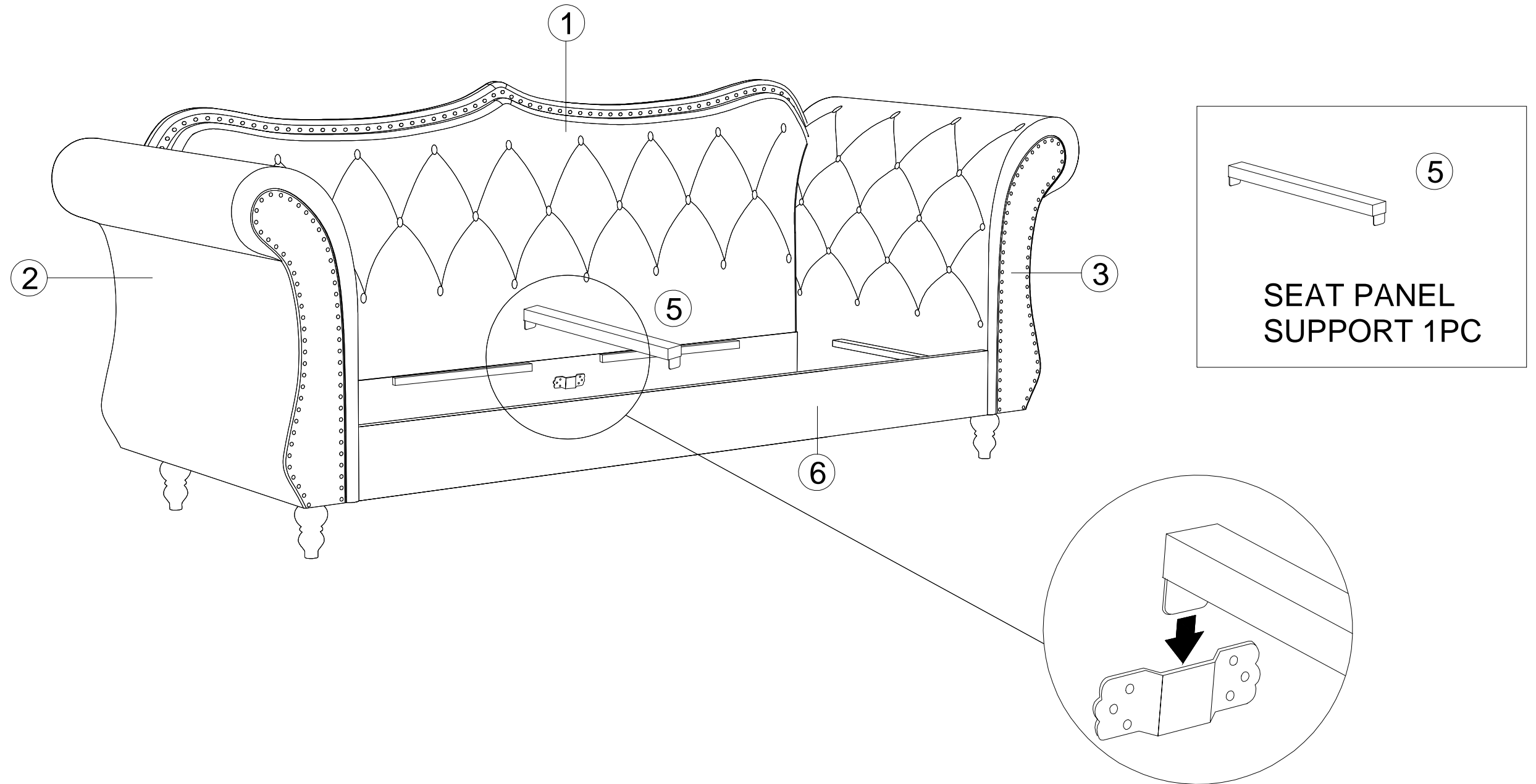
(2 and 3). Hook on Front Rail (6) hooks into loosen bolts, once placed tighten and secure all four bolt with Allen Key (A).



# ASSEMBLY INSTRUCTION

## STEP 6.

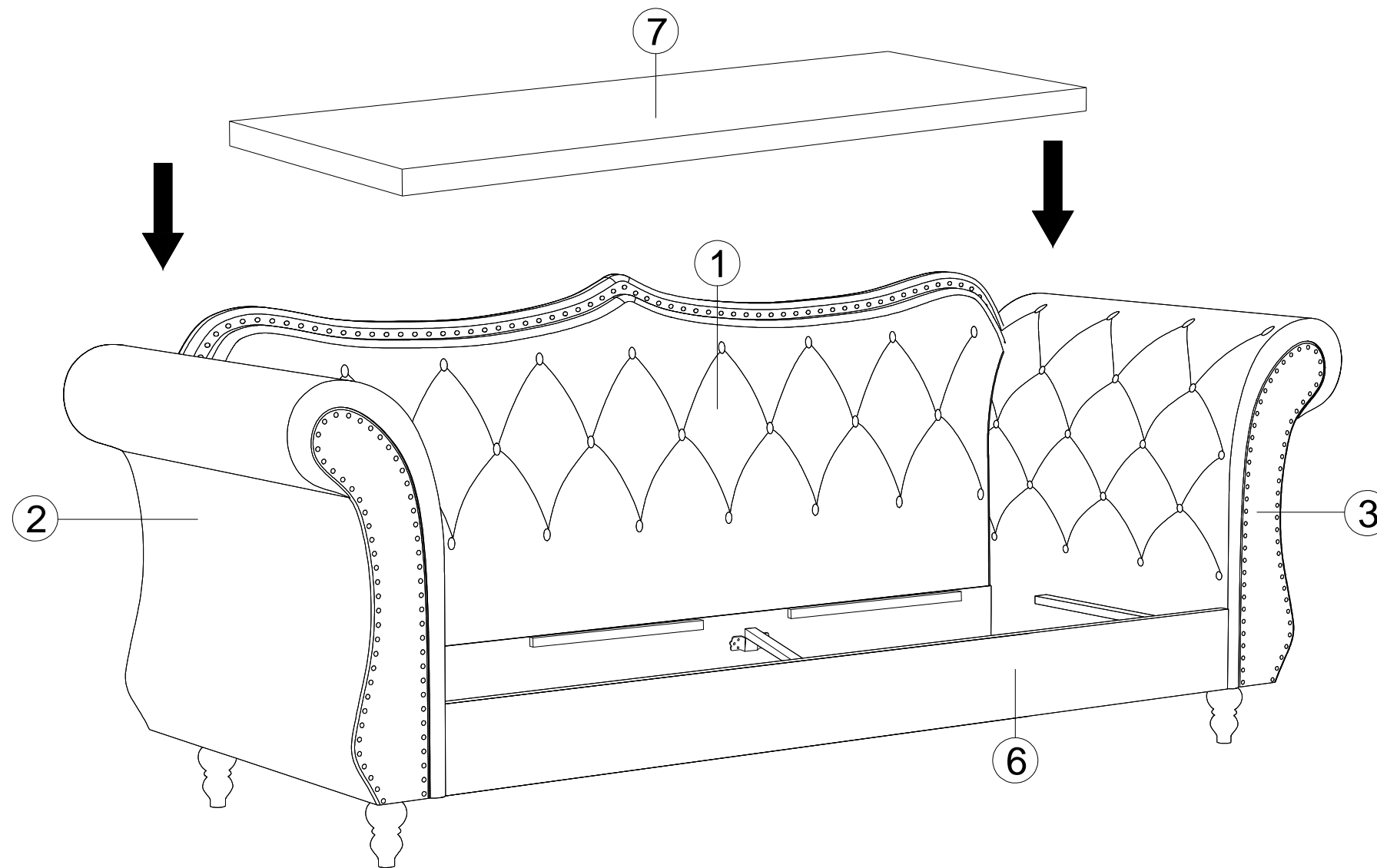
Hook on and secure Seat Panel Support (5) to the two metal slots on both Front Rail (6) and Back Rest (1).



# ASSEMBLY INSTRUCTION

## STEP 7.

Lay the Seat Panel (7) on top of units frame.



# ASSEMBLY INSTRUCTION

## STEP 8.

Lay the Seat Panel (7) on top of units frame.

