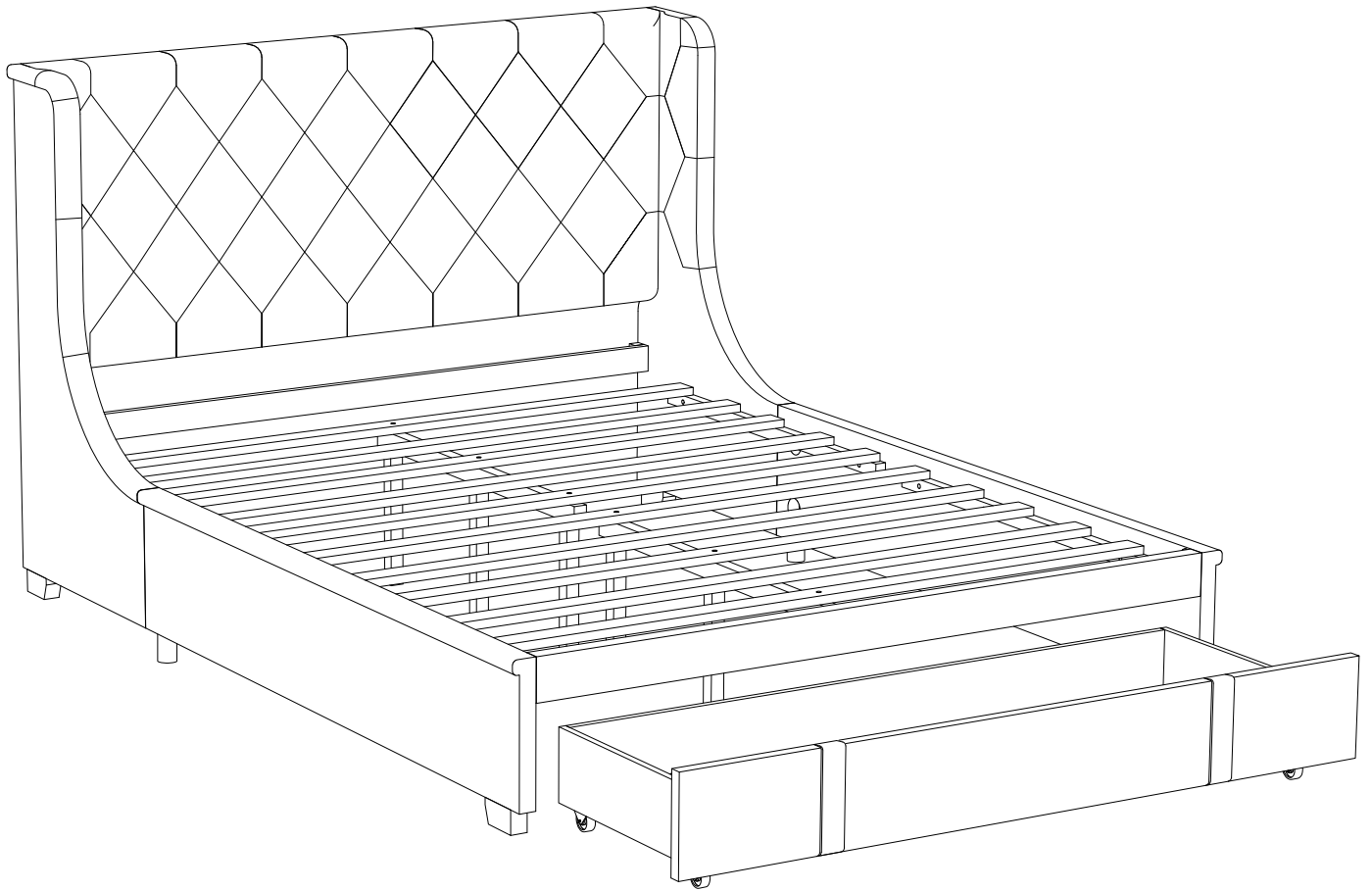


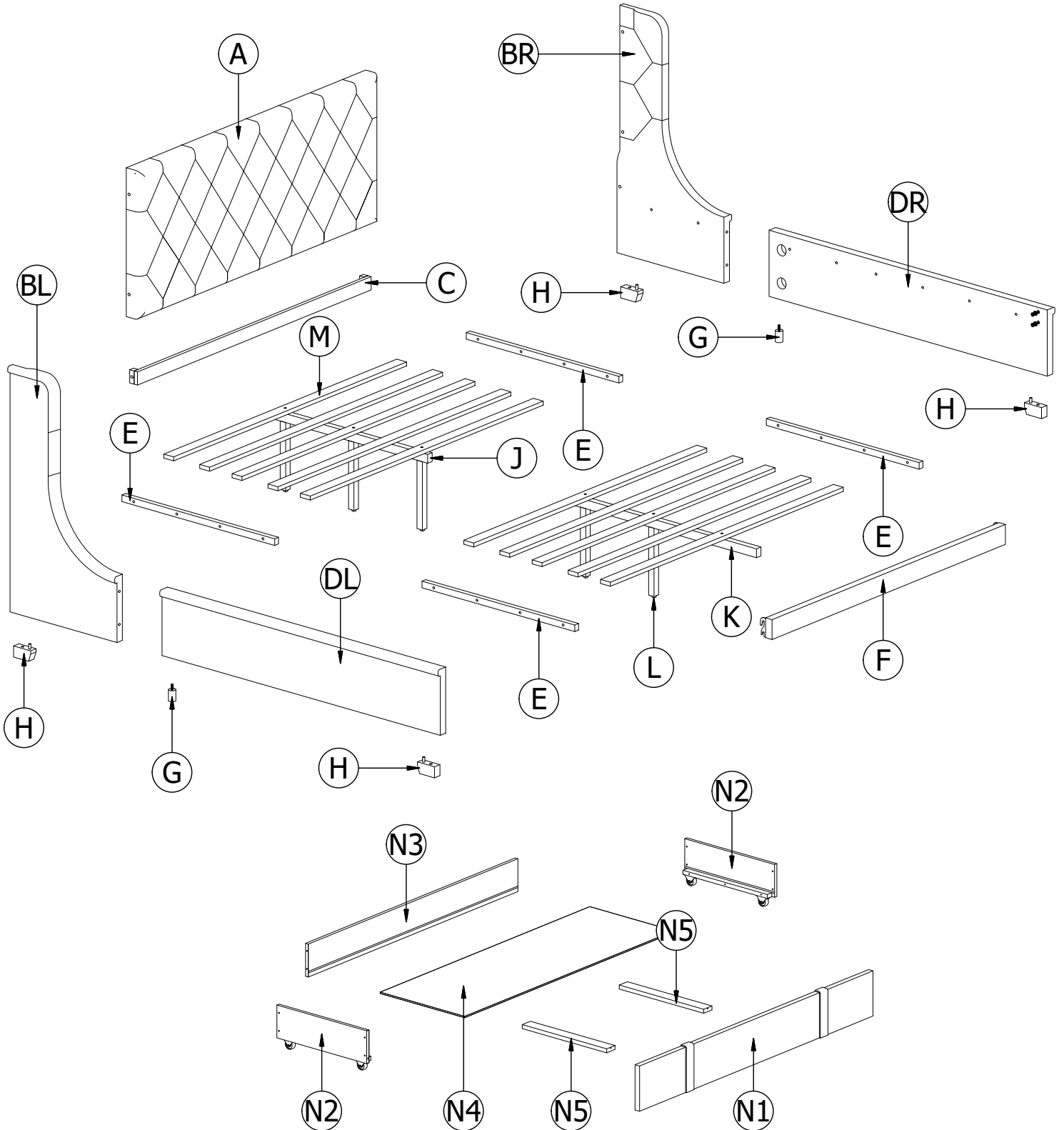
ASSEMBLY INSTRUCTIONS

Thank you for purchasing this quality product. Be sure to check all packing material carefully for small part that may have come loose inside the carton during shipment.



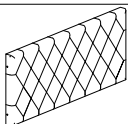
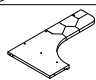
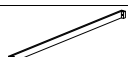


ASSEMBLY INSTRUCTIONS




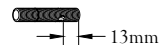
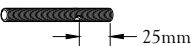



Thank you for purchasing this quality product. Be sure to check all packing material carefully for small part that may have come loose inside the carton during shipment.

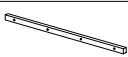
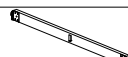

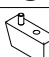

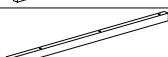

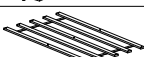
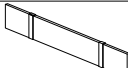
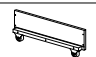
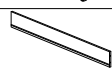










ASSEMBLY INSTRUCTIONS

Thank you for purchasing this quality product. Be sure to check all packing material carefully for small part that may have come loose inside the carton during shipment.

| PART LIST : WF292012 | | | |
|----------------------|-----------------|---|----------|
| No. | Description | Sketch | Quantity |
| A | Headboard panel |  | 1PC |
| B | Wing HB L/R |  | 2PCS |
| C | Stretch |  | 1PC |
| D | Side Rail L/R |  | 2PCS |
| N4 | Drawer Bottom |  | 1PC |

| HARDWARE LIST : WF292012 | | | | |
|--------------------------|---------------|---|---|----------|
| No. | Description | Sketch | Size | Quantity |
| Q | Bolt |  | $\text{Ø } \frac{5}{16} \text{ " } * 2 \text{ " L}$ | 4PCS |
| R | Spring Washer |  | $\text{Ø } \frac{5}{16} \text{ "}$ | 8PCS |
| S | Flat Washer |  | $\text{Ø } \frac{5}{16} \text{ "}$ | 8PCS |
| T | Thread Bolt |  | $\text{Ø } \frac{5}{16} \text{ " } * 2 \frac{1}{4} \text{ " L}$ | 4PCS |
| U | Thread Bolt |  | $\text{Ø } \frac{5}{16} \text{ " } * 3 \frac{1}{2} \text{ " L}$ | 4PCS |
| W | Hexagonal Nut |  | $\text{Ø } \frac{5}{16} \text{ "}$ | 4PCS |
| X | Open Wrench |  | M12 | 1PC |
| Y | Allen Key |  | M4*2- $\frac{1}{2}$ " L | 1PC |

| PART LIST : WF292011 | | | |
|----------------------|----------------------------|---|----------|
| No. | Description | Sketch | Quantity |
| E | Support Rail |  | 4PCS |
| F | Footboard |  | 1PC |
| G | Bun Foot Round |  | 2PCS |
| H | Bun Foot Square |  | 4PCS |
| J | Short Center Support Slats |  | 1PC |
| K | Long Center Support Slats |  | 1PC |
| L | Support Leg |  | 5PCS |
| M | Slats Rolls |  | 2SET |
| N1 | Drawer Front |  | 1PC |
| N2 | Drawer Side |  | 2PCS |
| N3 | Drawer Back |  | 1PC |
| N5 | Support Bottom |  | 2PCS |

| HARDWARE LIST : WF292011 | | | | |
|--------------------------|-------------------|---|---|----------|
| No. | Description | Sketch | Size | Quantity |
| P | Screw |  | $\text{Ø } 8 * 2 \frac{1}{4} \text{ " L}$ | 8PCS |
| Q | Bolt |  | $\text{Ø } \frac{5}{16} \text{ " } * 2 \text{ " L}$ | 19PCS |
| R | Spring Washer |  | $\text{Ø } \frac{5}{16} \text{ "}$ | 19PCS |
| S | Flat Washer |  | $\text{Ø } \frac{5}{16} \text{ "}$ | 19PCS |
| V | Washer Semicircle |  | $\text{Ø } \frac{5}{16} \text{ " } * 25 \text{ L}$ | 4PCS |
| W | Hexagonal Nut |  | $\text{Ø } \frac{5}{16} \text{ "}$ | 4PCS |
| Z | Screw |  | $\text{Ø } 8 * 1 \frac{1}{4} \text{ " L}$ | 24PCS |

TOOLS REQUIRED (Not provided)

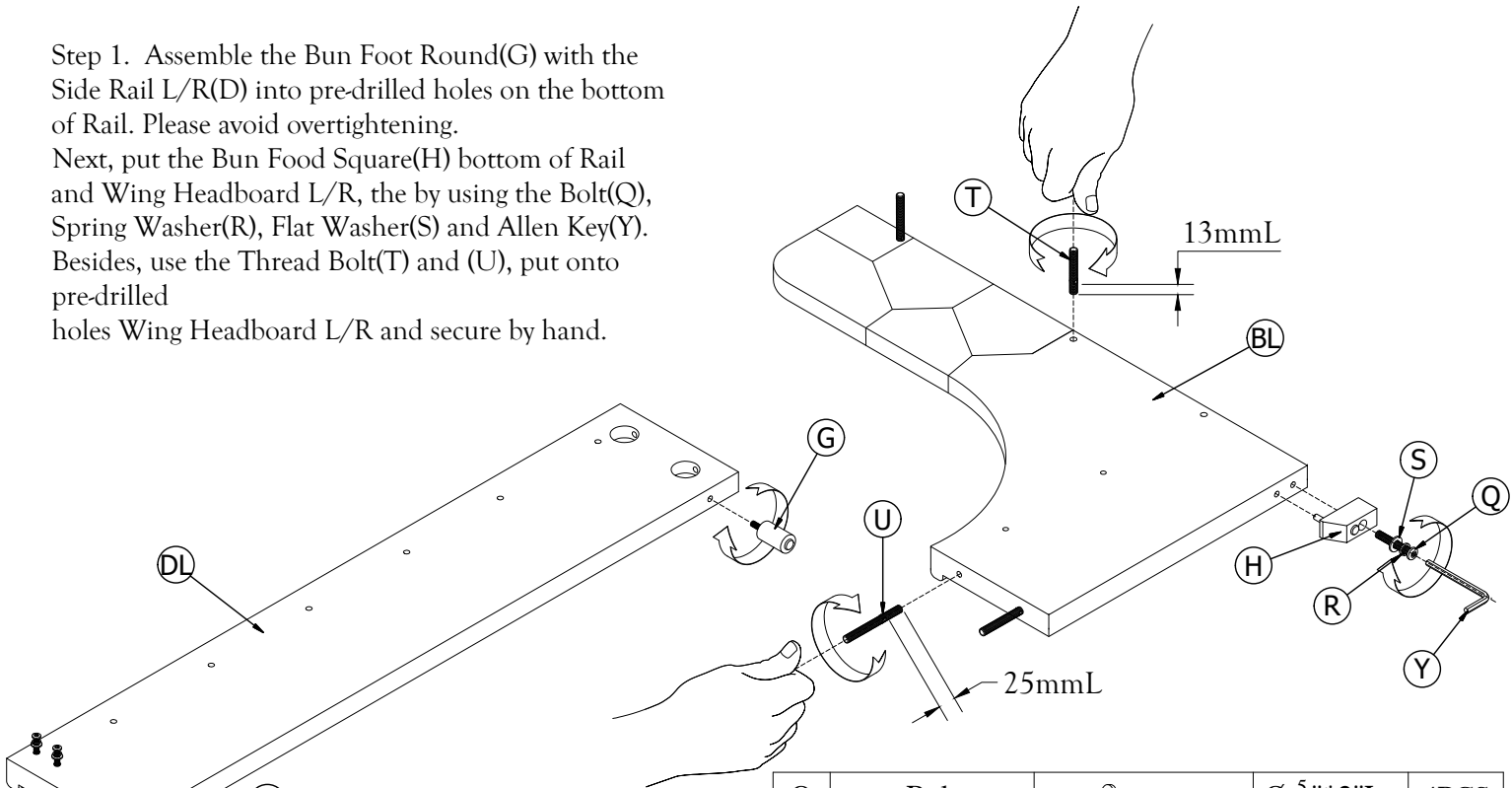
 Screwdriver




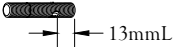
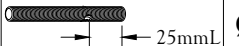

ASSEMBLY INSTRUCTIONS

Thank you for purchasing this quality product. Be sure to check all packing material carefully for small part that may have come loose inside the carton during shipment.

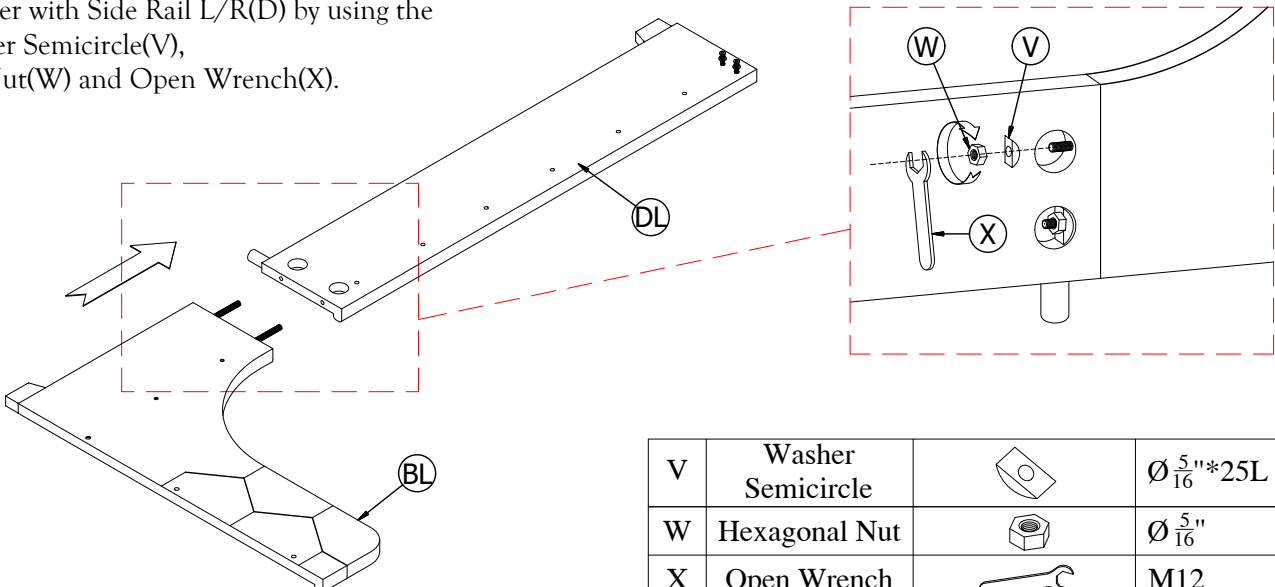
Step 1. Assemble the Bun Foot Round(G) with the Side Rail L/R(D) into pre-drilled holes on the bottom of Rail. Please avoid overtightening.

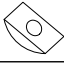


Next, put the Bun Foot Square(H) bottom of Rail and Wing Headboard L/R, the by using the Bolt(Q), Spring Washer(R), Flat Washer(S) and Allen Key(Y). Besides, use the Thread Bolt(T) and (U), put onto pre-drilled holes Wing Headboard L/R and secure by hand.



| | | | | |
|---|---------------|---|---|------|
| Q | Bolt |  | $\text{Ø} \frac{5}{16} \times 2 \text{''} \text{L}$ | 4PCS |
| R | Spring Washer |  | $\text{Ø} \frac{5}{16} \text{''}$ | 4PCS |
| S | Flat Washer |  | $\text{Ø} \frac{5}{16} \text{''}$ | 4PCS |
| T | Thread Bolt |  | $\text{Ø} \frac{5}{16} \times 2 \frac{1}{4} \text{''} \text{L}$ | 4PCS |
| U | Thread Bolt |  | $\text{Ø} \frac{5}{16} \times 3 \frac{1}{2} \text{''} \text{L}$ | 4PCS |
| Y | Allen Key |  | $\text{M4} \times 2 \frac{1}{2} \text{''} \text{L}$ | 1PC |

Step 2. Assemble the Wing Headboard L/R(B) together with Side Rail L/R(D) by using the Washer Semicircle(V), Hex Nut(W) and Open Wrench(X).

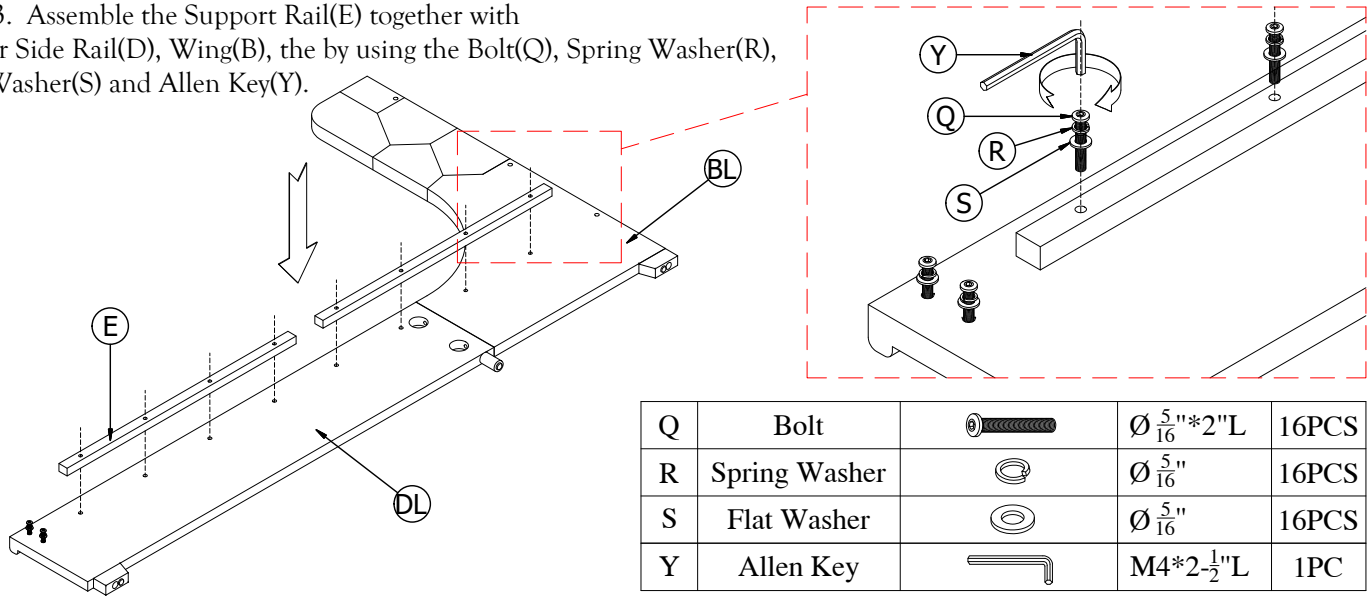






| | | | | |
|---|-------------------|---|--|------|
| V | Washer Semicircle |  | $\text{Ø} \frac{5}{16} \times 25 \text{L}$ | 4PCS |
| W | Hexagonal Nut |  | $\text{Ø} \frac{5}{16} \text{''}$ | 4PCS |
| X | Open Wrench |  | M12 | 1PC |

ASSEMBLY INSTRUCTIONS

Thank you for purchasing this quality product. Be sure to check all packing material carefully for small part that may have come loose inside the carton during shipment.

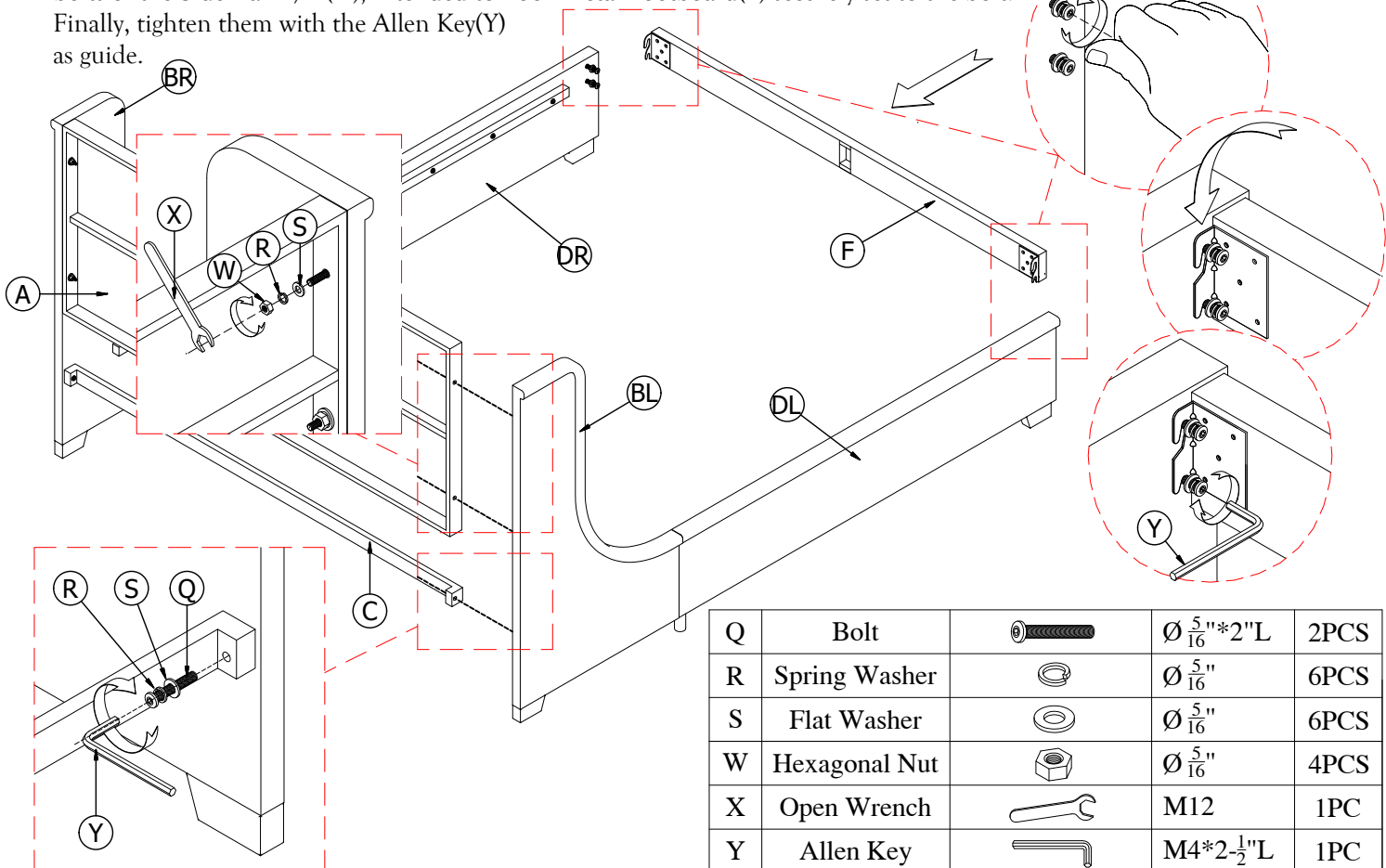
Step 3. Assemble the Support Rail(E) together with cluster Side Rail(D), Wing(B), the by using the Bolt(Q), Spring Washer(R), Flat Washer(S) and Allen Key(Y).









| | | | | |
|---|---------------|---|--|-------|
| Q | Bolt |  | $\text{Ø} \frac{5}{16} \text{''} * 2 \text{''} \text{L}$ | 16PCS |
| R | Spring Washer |  | $\text{Ø} \frac{5}{16} \text{''}$ | 16PCS |
| S | Flat Washer |  | $\text{Ø} \frac{5}{16} \text{''}$ | 16PCS |
| Y | Allen Key |  | $\text{M4} * 2 - \frac{1}{2} \text{''} \text{L}$ | 1PC |

Step 4. Assembled the Headboard panel(A) to the Wing HB(B), with two pre-assembled threaded rods, by using the Flat Washer(S) Flat Washer (R), Hex Nut(W), tighten them with the Open Wrench(X) as guide. Also, give the Stretch(C), the by using the Bolt(Q), Spring Washer(R), Flat Washer(S) and Allen Key(Y) as guide.

Next, put the Footboard(F) to Side rail(D). Before performing this step, please loosen the bolts of the Side Rail L/R(D), intended to hook metal Footboard(F) securely set to the bolt. Finally, tighten them with the Allen Key(Y) as guide.

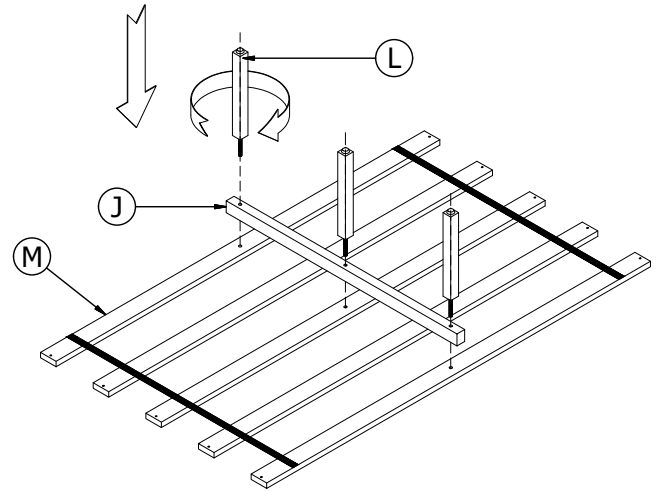


| | | | | |
|---|---------------|---|--|------|
| Q | Bolt |  | $\text{Ø} \frac{5}{16} \text{''} * 2 \text{''} \text{L}$ | 2PCS |
| R | Spring Washer |  | $\text{Ø} \frac{5}{16} \text{''}$ | 6PCS |
| S | Flat Washer |  | $\text{Ø} \frac{5}{16} \text{''}$ | 6PCS |
| W | Hexagonal Nut |  | $\text{Ø} \frac{5}{16} \text{''}$ | 4PCS |
| X | Open Wrench |  | M12 | 1PC |
| Y | Allen Key |  | $\text{M4} * 2 - \frac{1}{2} \text{''} \text{L}$ | 1PC |

ASSEMBLY INSTRUCTIONS

Thank you for purchasing this quality product. Be sure to check all packing material carefully for small part that may have come loose inside the carton during shipment.

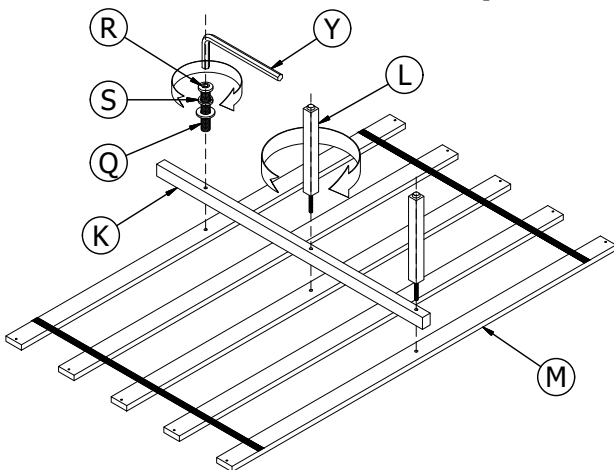
Step 5. Set Slat roll(M), link pre-wire up. Next, place the Short center support slats(J), align the drill holes. At the same time, use the Support leg(L) to pass through the holes on the Short center support slats(J) one by one, to link through the Slat roll(M) and tighten them together.







Step 6. Set Slat roll(M), link pre-wire up. Next, place the Long center support slats(K), align the drill holes.

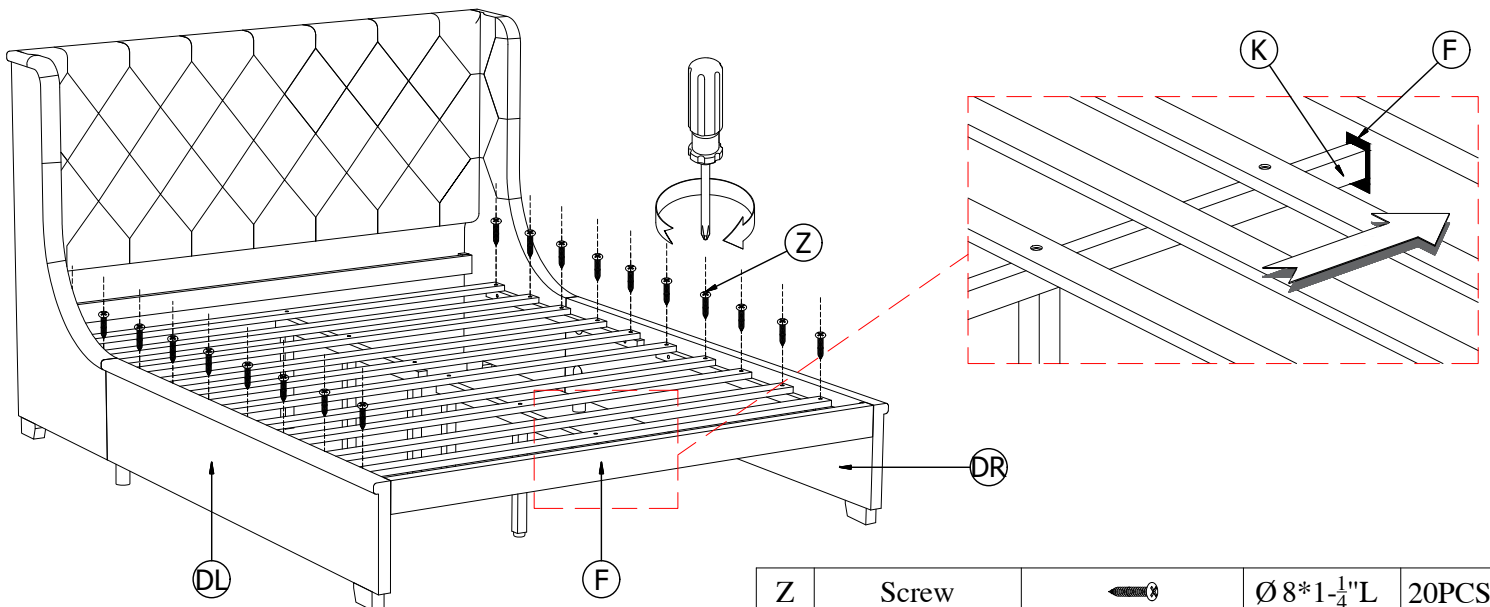
At the same time, use the Support leg(L) to pass through the holes on the Long center support slats(K) one by one, to link through the Slat roll(M) and tighten them together.

Next the by using the Bolt(Q), Spring Washer(R), Flat Washer(S) and Allen Key(Y).



| | | | | |
|---|---------------|---|---|-----|
| Q | Bolt |  | $\text{Ø} \frac{5}{16} \times 2'' \text{L}$ | 1PC |
| R | Spring Washer |  | $\text{Ø} \frac{5}{16}''$ | 1PC |
| S | Flat Washer |  | $\text{Ø} \frac{5}{16}''$ | 1PC |
| Y | Allen Key |  | M4*2- $\frac{1}{2}'' \text{L}$ | 1PC |

Step 7. Put the two Slat roll clusters on the Side rail(D) of the bed to be neat, then tighten they are by Screws(Z).

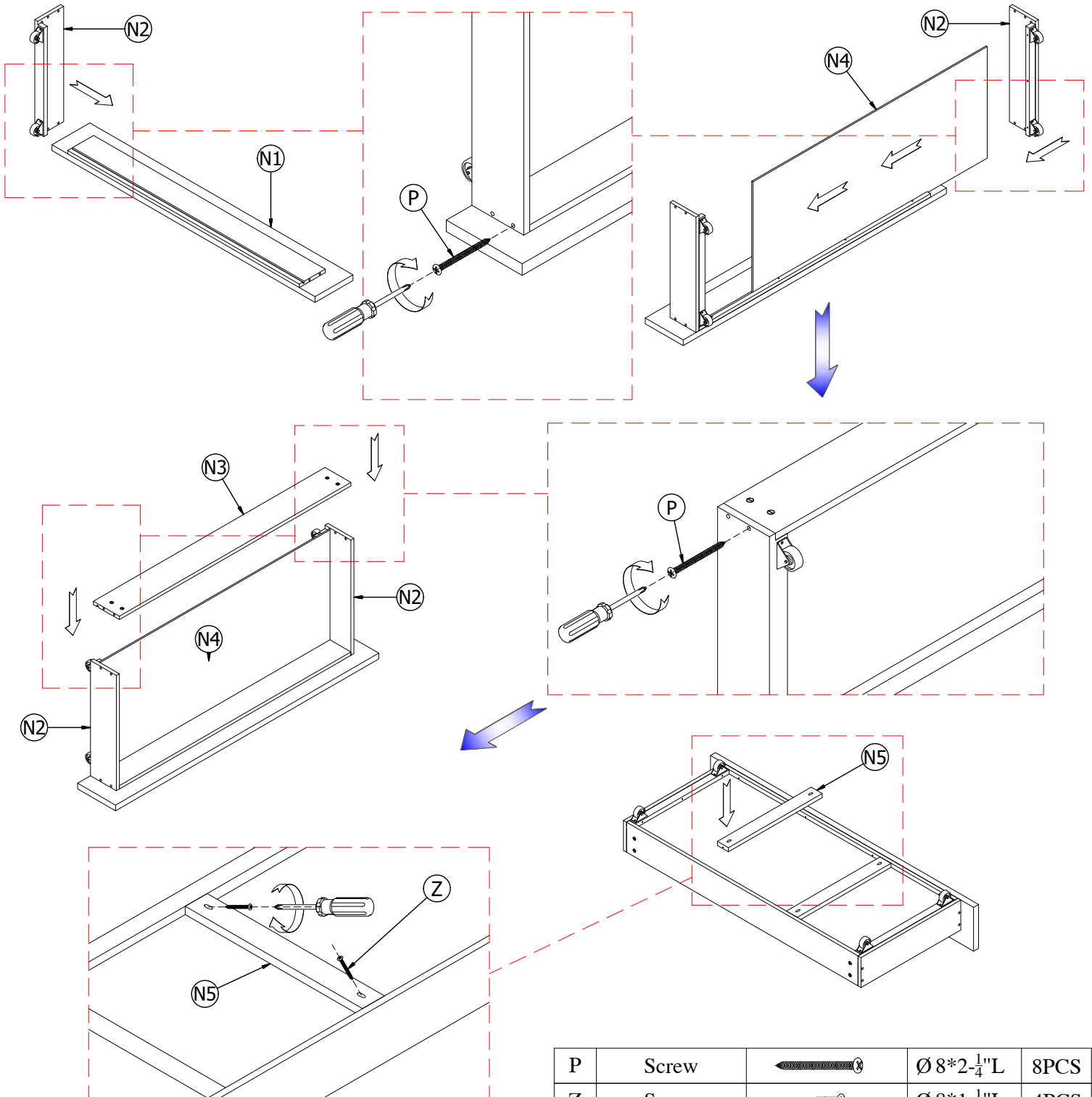




| | | | | |
|---|-------|---|--|-------|
| Z | Screw |  | $\text{Ø} 8 \times 1-\frac{1}{4}'' \text{L}$ | 20PCS |
|---|-------|---|--|-------|

ASSEMBLY INSTRUCTIONS

Thank you for purchasing this quality product. Be sure to check all packing material carefully for small part that may have come loose inside the carton during shipment.

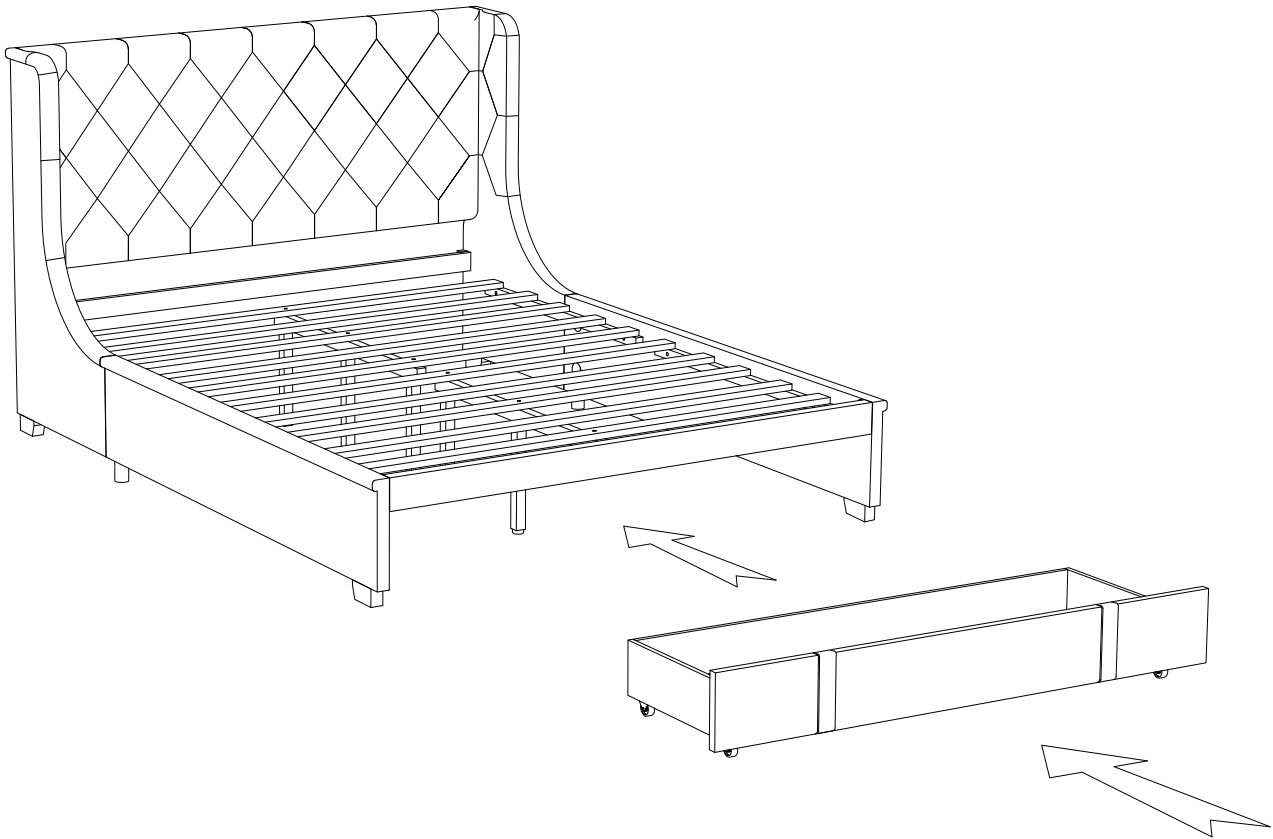
Step 8. Place the Drawer side plate(N2) with mount wheels to up on top of the back of Face Cushion(N1), aligning the drilled holes, by using the Screws(K) please in to the small holes available, use screwdriver tighten them together. Next, give turn the Drawer bottom plate(N4) and the Drawer side Plate(N2) rest add also put on top of the back of face Cushion(N1), also by using the Screws(P) please in to the small holes available, use screwdriver tighten them together. Next step, pass Drawer backs plate(N3) to in the Drawer side plate(N2) and Drawer bottom plate(N4). Aligning the drilled holes, by using the Screws(P) in to the small holes available, use screwdriver tighten them together. Finally, put the Bottom support bar(N5), use please Screws(Z) in to the small holes available, use screwdriver tighten them together.



| | | | | |
|---|-------|---|------------|------|
| P | Screw |  | Ø 8*2-¼" L | 8PCS |
| Z | Screw |  | Ø 8*1-¼" L | 4PCS |

ASSEMBLY INSTRUCTIONS

Thank you for purchasing this quality product. Be sure to check all packing material carefully for small part that may have come loose inside the carton during shipment.



Step 9. Push drawers under the bottom of Bed.

