

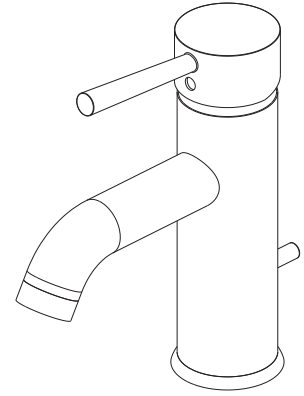
LULANI

Faucet Co

Installation Instructions

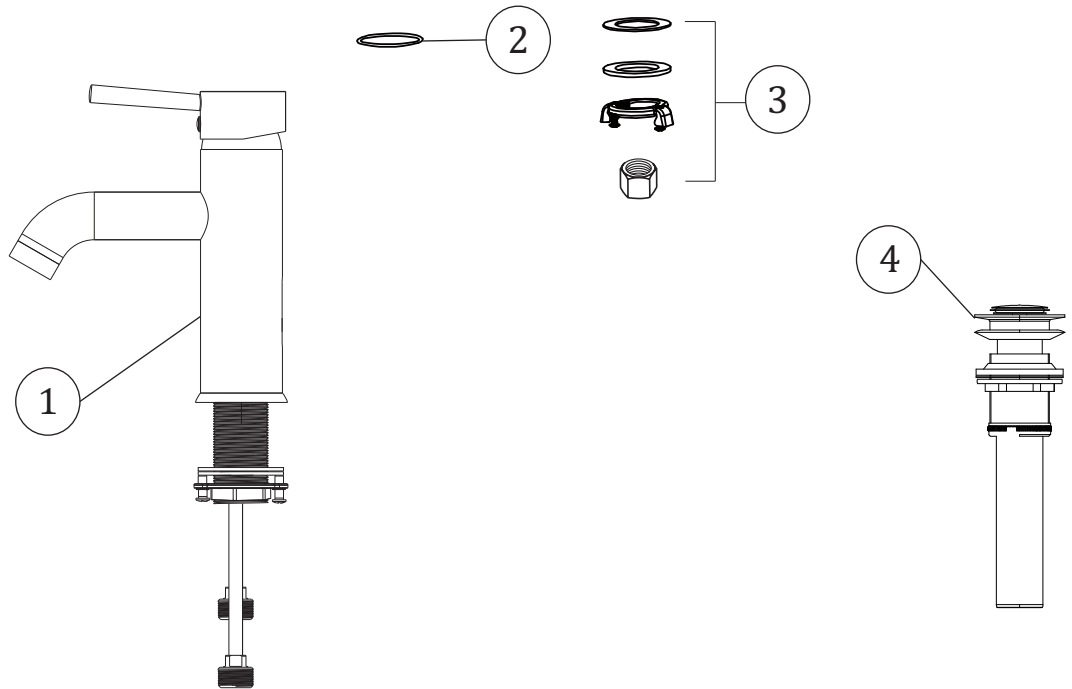
BA-400-01
Single Handle Bathroom Faucet

Thank you for selecting Lulani.
To ensure that your installation proceeds smoothly, please read these instructions carefully before you begin.



Parts Included

1. Faucet
2. Above sink hardware: O-ring
3. Below sink hardware: rubber washer, metal washer, mounting nut
4. Pop-up drain



Recommended Tools (not included)

1. Adjustable Wrench
2. Phillips Screwdriver
3. Safety Goggles
4. Flashlight
5. Plumber's Tape
6. Measuring Tape
7. Silicone Sealant
8. Channel Locks
9. Allen Key



Caution: Tips for removal of old faucet

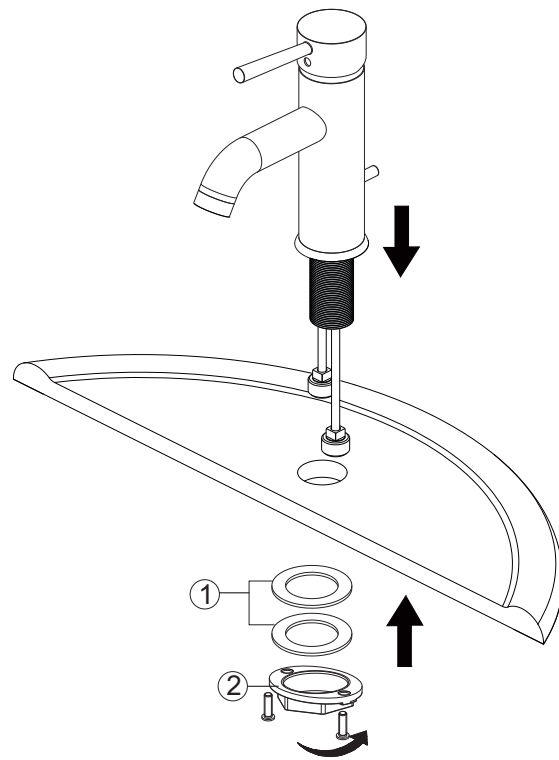
Always turn off the water supply before removing the existing faucet or replacing any part of the faucet. Open the faucet handle to relieve water pressure and ensure that water is completely shut off.

Maintenance

Your new faucet is designed for years of trouble-free performance. Keep it looking new by cleaning it periodically with a soft cloth. Avoid abrasive cleaners, steel wool, and harsh chemicals as these will dull the finish and void your warranty.

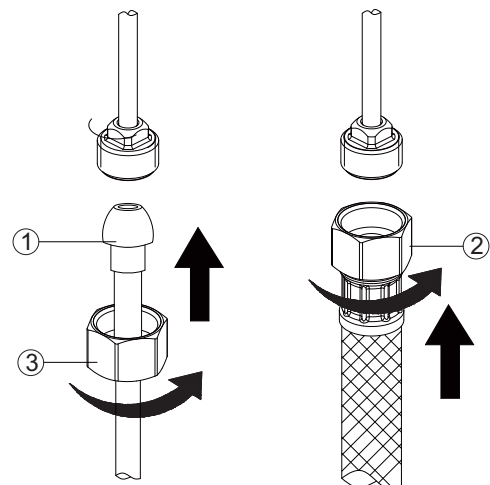
Step 1

Place the faucet through the hole on top of the sink. From under the sink slide the washer (1) onto the threads. Secure with washer (1) and nut (2).



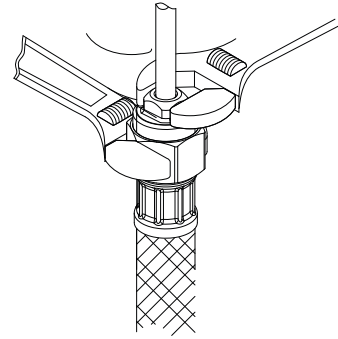
Step 2

Make connections to the water lines. Use 1/2" I. P. S. faucet connections (2) or use supply line coupling nuts (3) with 3/8" O.D. ball-nose riser (1).



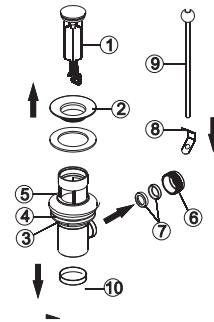
Step 3

Before tightening the faucet connector to the water supply, apply a second wrench to the supply tube fitting. This will prevent the supply tube from moving or twisting when tightening the faucet connector. Do not over tighten.



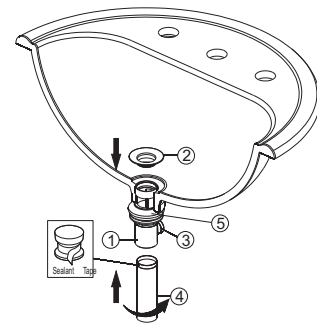
Step 4

Remove the stopper (1) and flange (2). Screw in the brass nuts (3) all the way down. Push the plastic washer (4) and gasket (5) down. Unscrew the pivot nut (6) from the pop-up body and remove the seal washers (7). Take off the spring clip (8) from the horizontal rod (9). Remove the tailpiece (10) from the pop-up body.



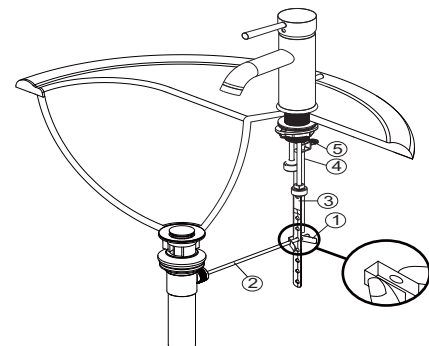
Step 5

Apply silicone to the underside of the flange (2). Insert the body (1) into the drain hole from below the sink. Screw the flange (2) into the body (1). With the pivot (3) facing toward faucet, pull the pop-up straight down into the drain hole and secure the gasket, plastic washer and brass nut. Apply sealant tape to the threads at the top of the tailpiece (4) and hand tighten.



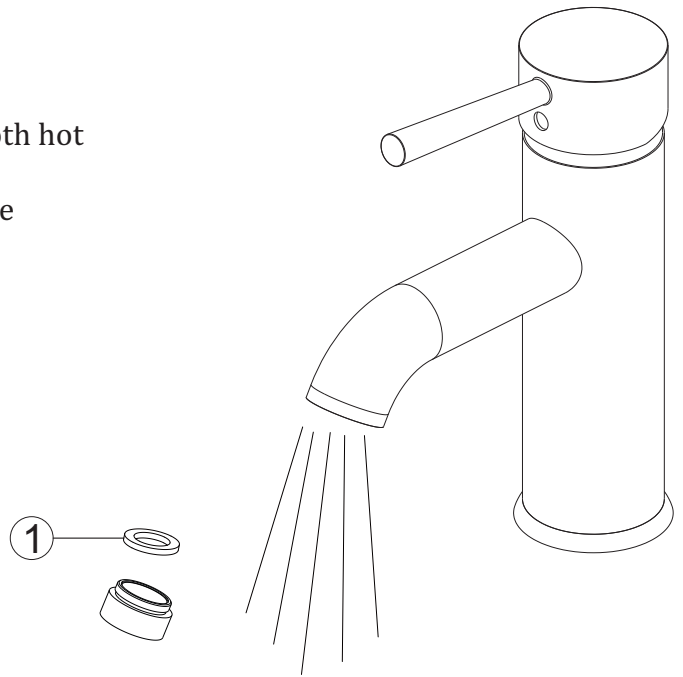
Step 6

Place one end of the spring clip (1) onto the end of the horizontal rod (2). Insert the horizontal rod (2) through a hole on the strap (3). Connect the other end of the spring clip (1) to the horizontal rod (2). Insert the lift (4) into the strap and tighten the screw (5).



Step 7

Important: After installation is completed, remove the aerator. Turn on the water supply and allow both hot and cold water to run for at least one minute each. While the water is running, check for leaks. Replace aerator. This flushes away any debris that could cause damage to internal parts. Do not lose the gasket (1) in the aerator.



For troubleshooting questions or concerns, please reference the Owner's Manual or visit our website at www.lulani.com.

We value your opinion! Don't forget to leave us a review.