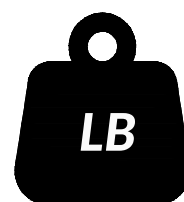
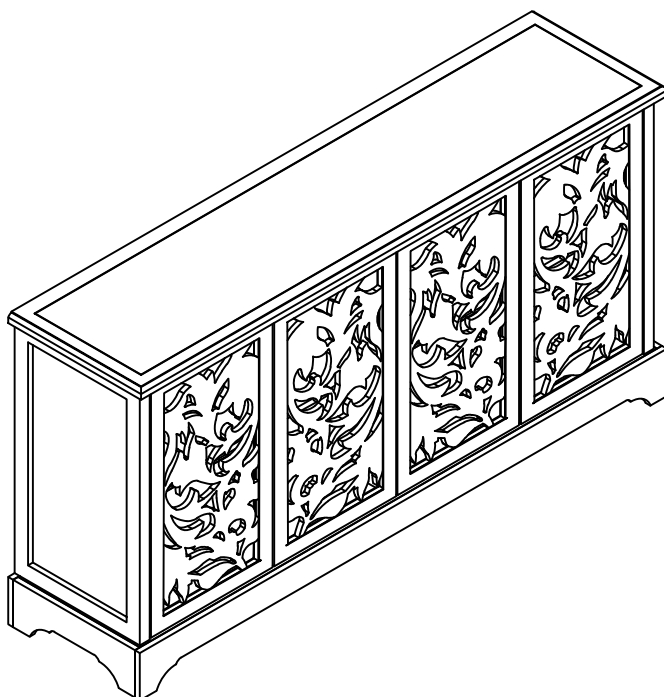


# Owner Manual



Per Seat Weight Limitation

**100 LBS**

---

## ***Thank You For Choosing Our Furniture***

▾ If you have any questions or concerns,  
don't hesitate to reach out to us. ▴

### NOTE:






This brochure contains  
**IMPORTANT** safety info.  
Please read and keep it  
for future reference.

# MAINTENANCE AND WARNINGS



## Before You Start

### ***Please follow the steps below:***

-  Check the packaging for any damage, deformation, or water stains. If there is significant damage, please contact us promptly.
-  Open the packaging and confirm that the panels, hardware, screws, etc are complete.
-  Please read the installation instructions carefully to understand the installation steps and precautions to ensure proper installation.
-  Clean the installation area in advance and ensure the ground is level and there is enough space to avoid damaging the furniture or making installation difficult.
-  Lay a protective mat on the ground to prevent scratching the floor during installation.

### ***After-Sales Service***

- If you encounter any issues or need technical support during use, please contact our after-sales team. We offer long-term maintenance and warranty services.



## Precautions

- ⚠ This product for indoor use only. Do not expose it to outdoor elements or high-humidity environments.
- ⚠ Keep the product away from high heat or open flames to prevent fire hazards.
- ⚠ Do not allow children to climb on the product to prevent personal injury caused by tipping



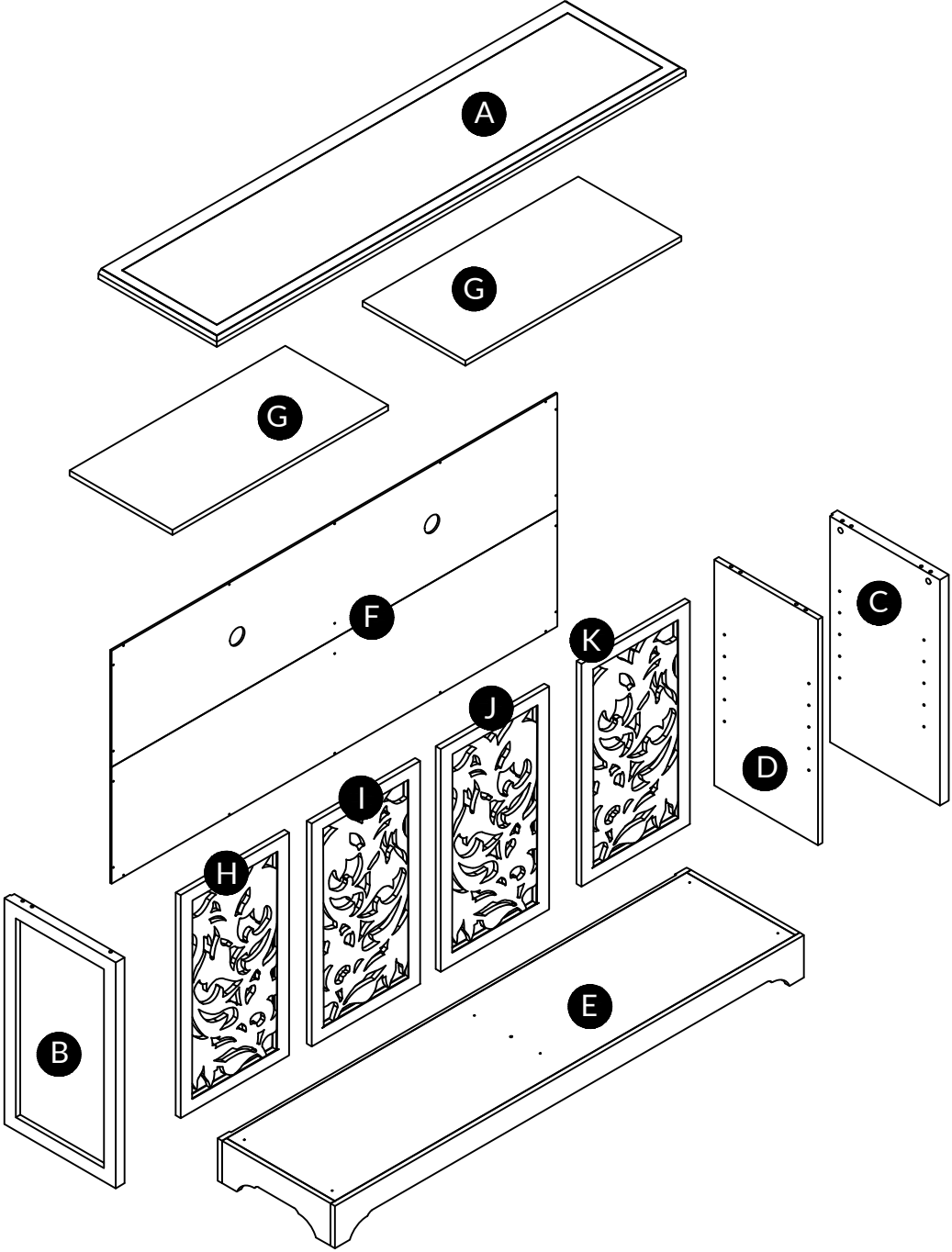
## Safety Warnings

- ⚠ If you notice any loose or damaged parts, stop using the product immediately and contact customer service.
- ⚠ Do not attempt to disassemble or replace any components yourself, as this may affect the stability and safety of the product.

### **Daily Maintenance**

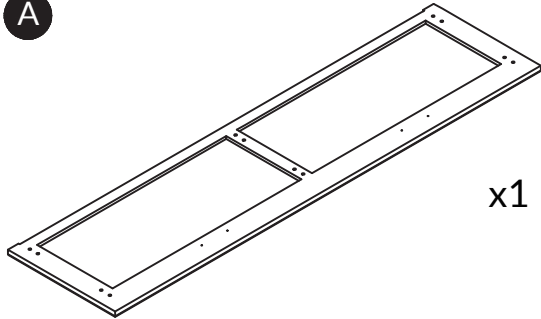
- Regularly clean the surface of the sofa with a soft cloth to prevent dust accumulation.
- Do not use cleaning agents containing acids, alkalis, or corrosive substances, as they may damage the surface. It is recommended to use neutral cleaning agents or specialized furniture cleaners
- Avoid exposing furniture to humid environments for extended periods to prevent swelling or deformation of the boards. Use a dehumidifier or desiccant during humid weather.
- Avoid direct contact of furniture with water. If water is accidentally spilled, wipe it dry immediately.
- Avoid placing excessively heavy objects on the furniture: ensure the weight is within a reasonable load-bearing range.
- Avoid using sharp or rough items on the furniture surface to prevent scratches, Handle items gently when moving them

**Explosive view**



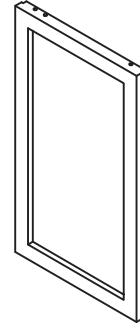
## Parts list

A



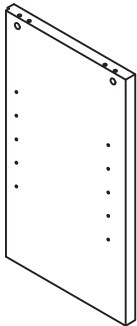
x1

B



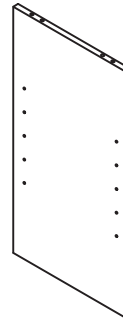
x1

C



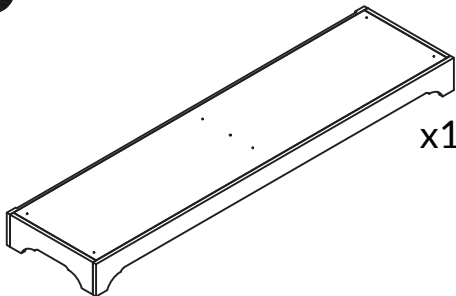
x1

D



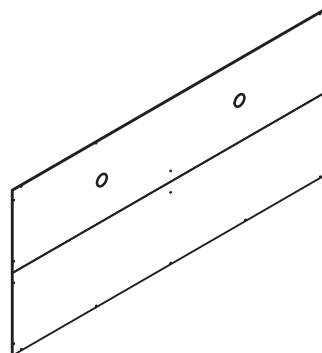
x1

E



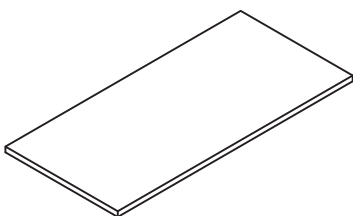
x1

F



x1

G



x2

H



x1



Installation:  
20minutes.



Two Persons

## Parts list

I



x1

J



x1

K


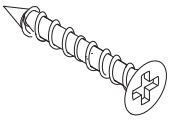




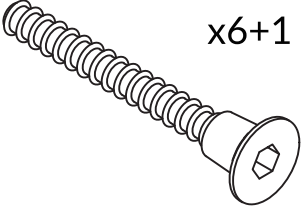
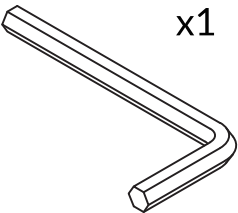
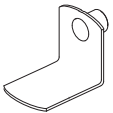

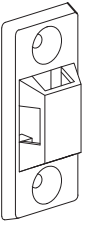
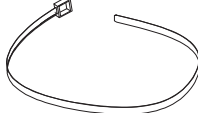


x1

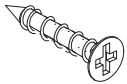
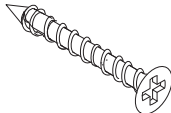


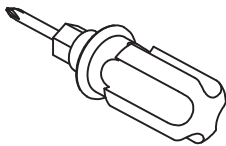
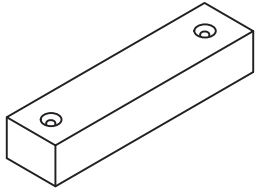
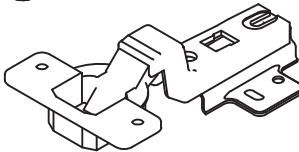
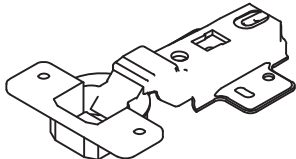
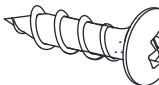
L



## Hardware List

<p>1</p>  <p>x48+5</p> <p>D4x12mm</p>	<p>2</p>  <p>x4+1</p> <p>D 4 x30mm</p>	<p>3</p>  <p>x6+2</p>
<p>4</p>  <p>x12+2</p> <p>Ø6x30mm</p>	<p>5</p>  <p>x6+1</p> <p>D6x35mm</p>	<p>6</p>  <p>x6+1</p>
<p>7</p>  <p>x6+1</p> <p>D6.3x40mm</p>	<p>8</p>  <p>x1</p> <p>M4</p>	<p>9</p>  <p>x8+1</p>
<p>10</p>  <p>x4</p>	<p>11</p>  <p>x4</p>	<p>12</p>  <p>x2</p>

## Hardware List

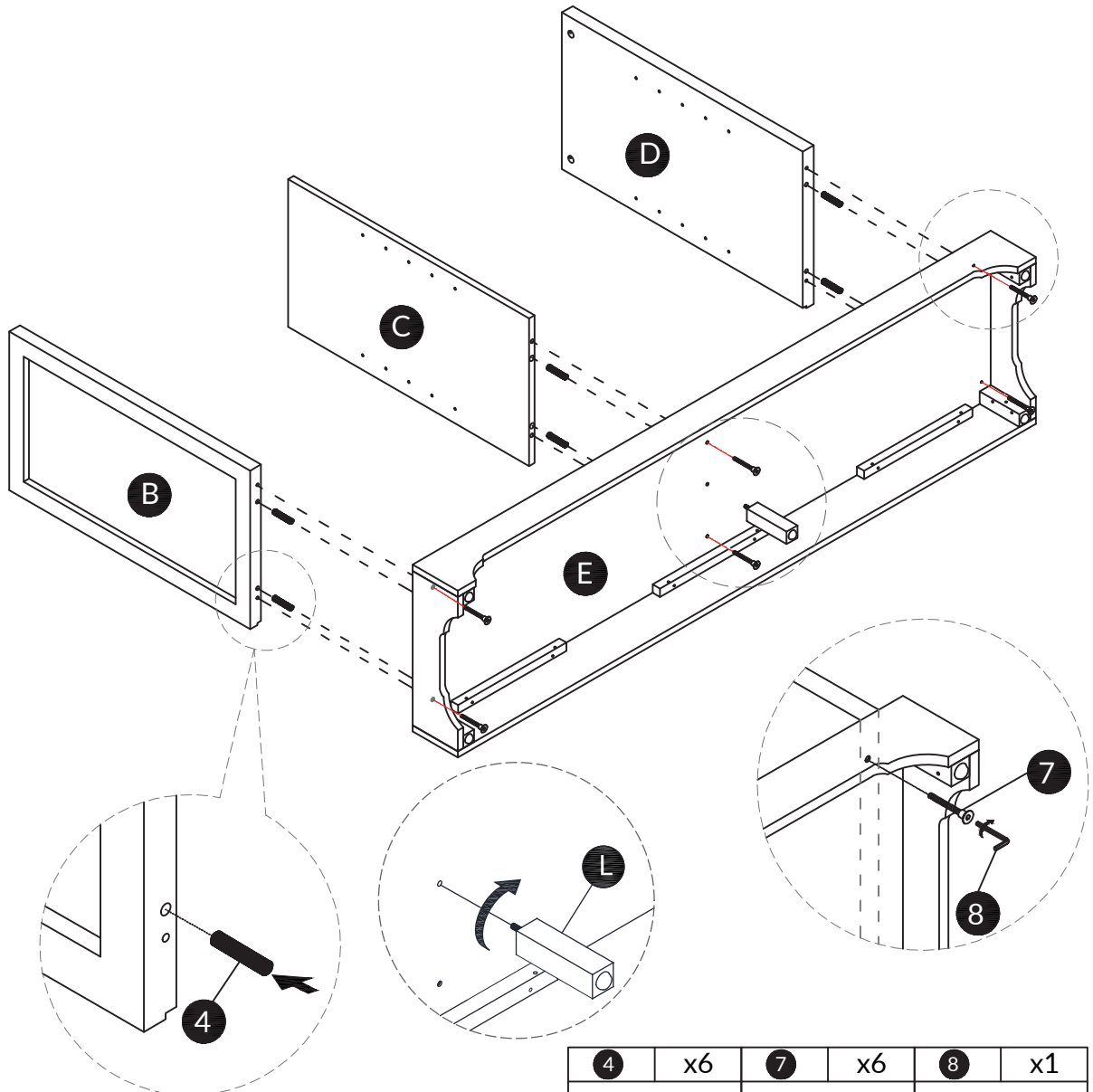
<p>13</p>  <p>x4+1</p> <p>D4x20mm</p>	<p>14</p>  <p>x4+1</p> <p>D4x40mm</p>	<p>15</p>  <p>x4</p>
<p>16</p>  <p>x4+1</p> <p>D4x18mm</p>	<p>17</p>  <p>x1</p>	<p>18</p>  <p>x2</p>
<p>19</p>  <p>x4</p> <p>Ø35 nn</p>	<p>20</p>  <p>x4</p> <p>Ø35 nn</p>	<p>21</p>  <p>x20+3</p> <p>D 3 x14mm</p>



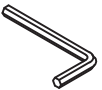


## Step 1

As shown in the figure: Insert the wood tip 4 into the corresponding hole position of the side plate B/C/D

Put the inner six-use screw 7 through the bottom frame E into the corresponding hole, and tighten it with Allen wrench 8



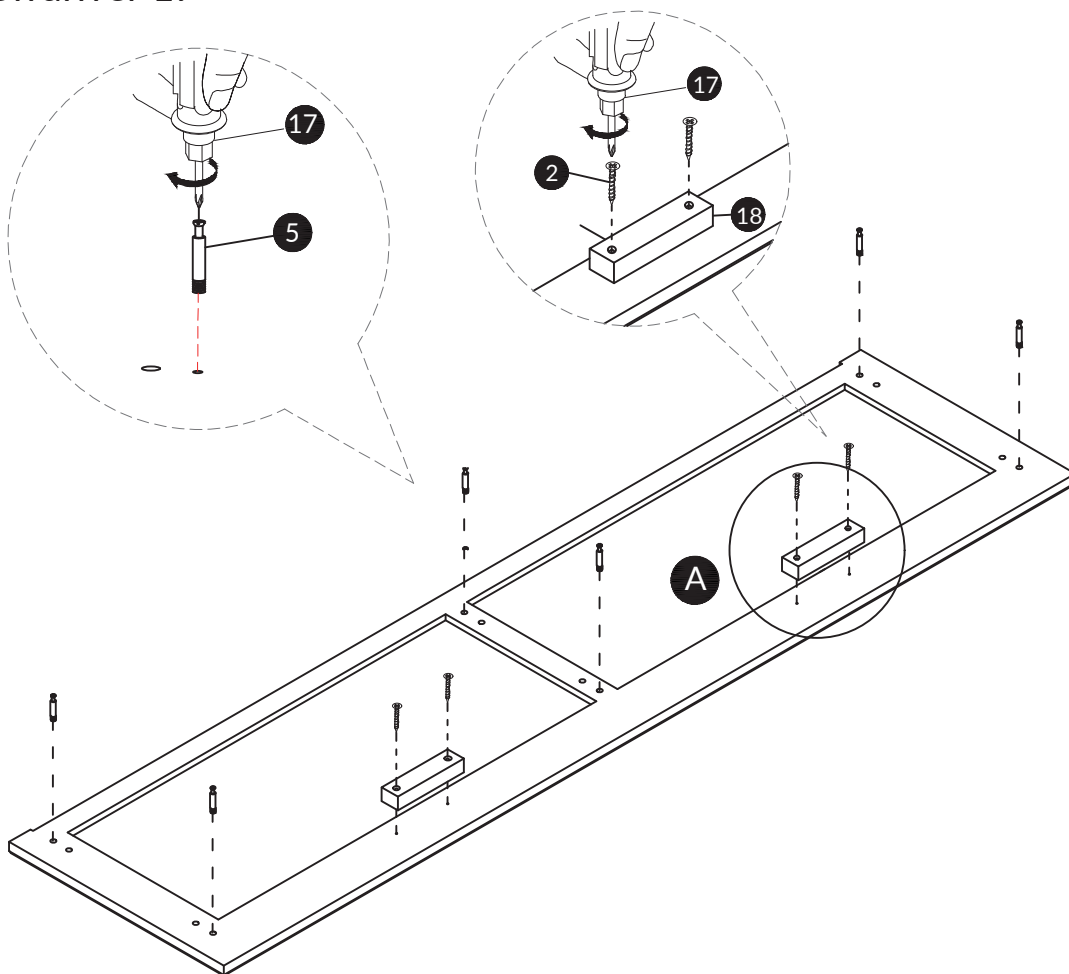
4	x6	7	x6	8	x1
					
D6x30mm		D6.3x40mm		M4	

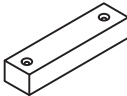
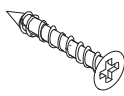

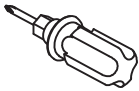
## Step 2

As shown in the figure: Insert the wood tip 4 into the corresponding hole position of the roof plate A

Install the 3-in-1 5 into the corresponding hole of the top plate A and lock it with a screwdriver 17

Put the door stop 18 to the corresponding hole of the top plate A, pass the screw 19 through the door stop 18, and lock it with a screwdriver 17

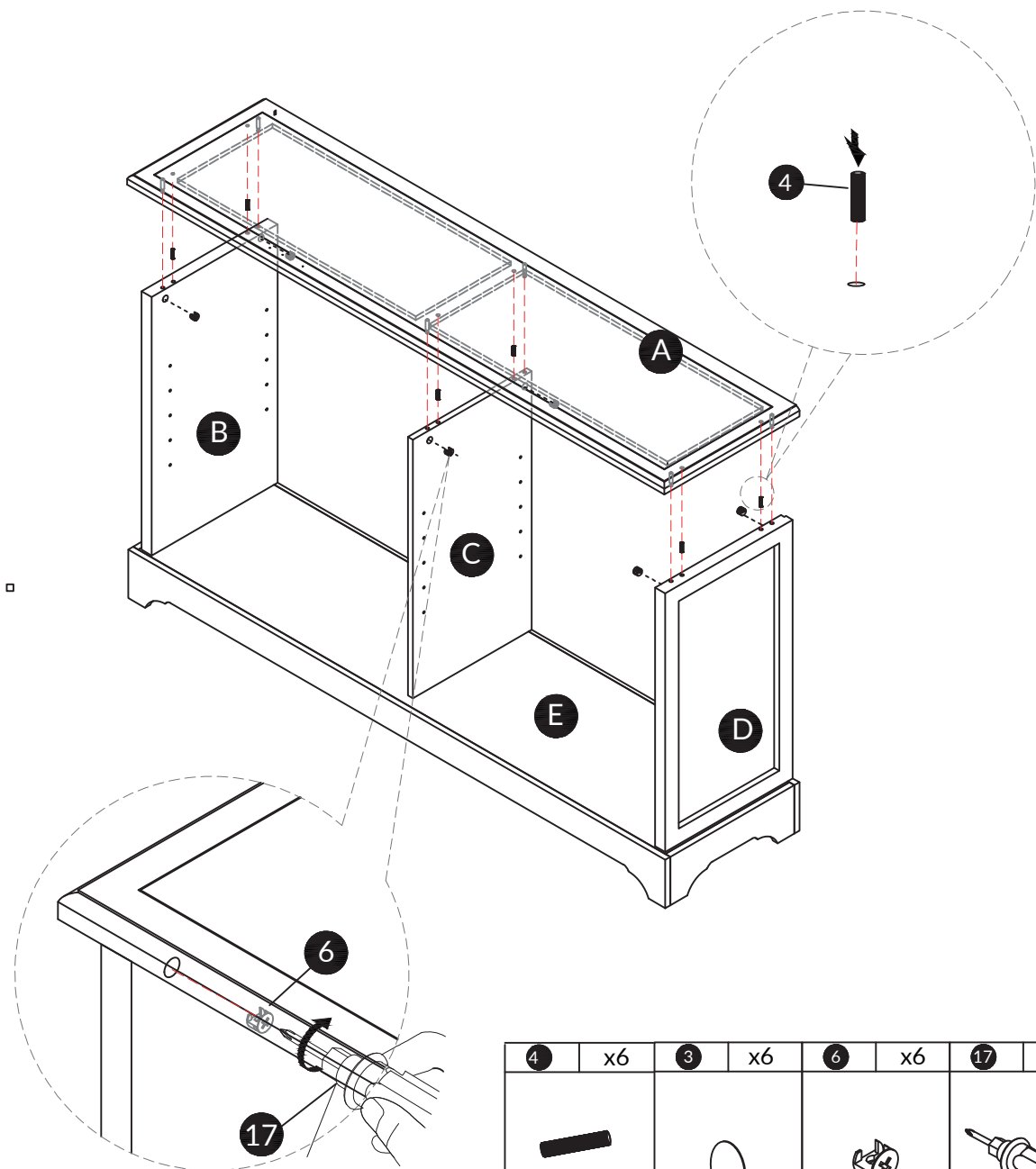





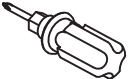
18	x2	2	x4	5	x6	17	x1
							
		D4x30mm					

### Step 3

As shown in the figure: Install the eccentric wheel 6 into the corresponding hole position of the side plate and lock it with a screwdriver

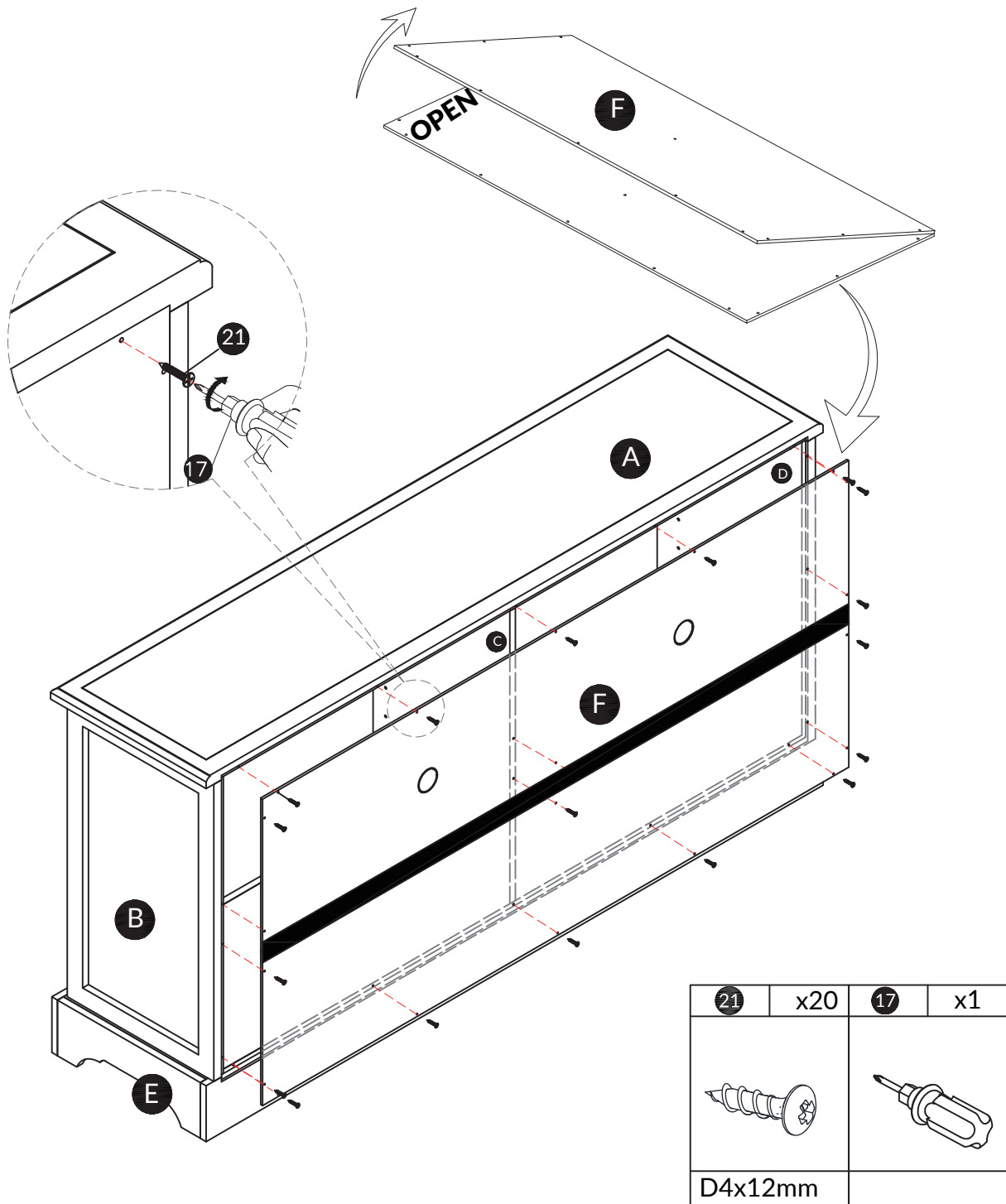
Glue the masking sticker 3 to the corresponding hole position of the side panel B/C/D



4	x6	3	x6	6	x6	17	x1
							
D6x30mm							

# Step 4

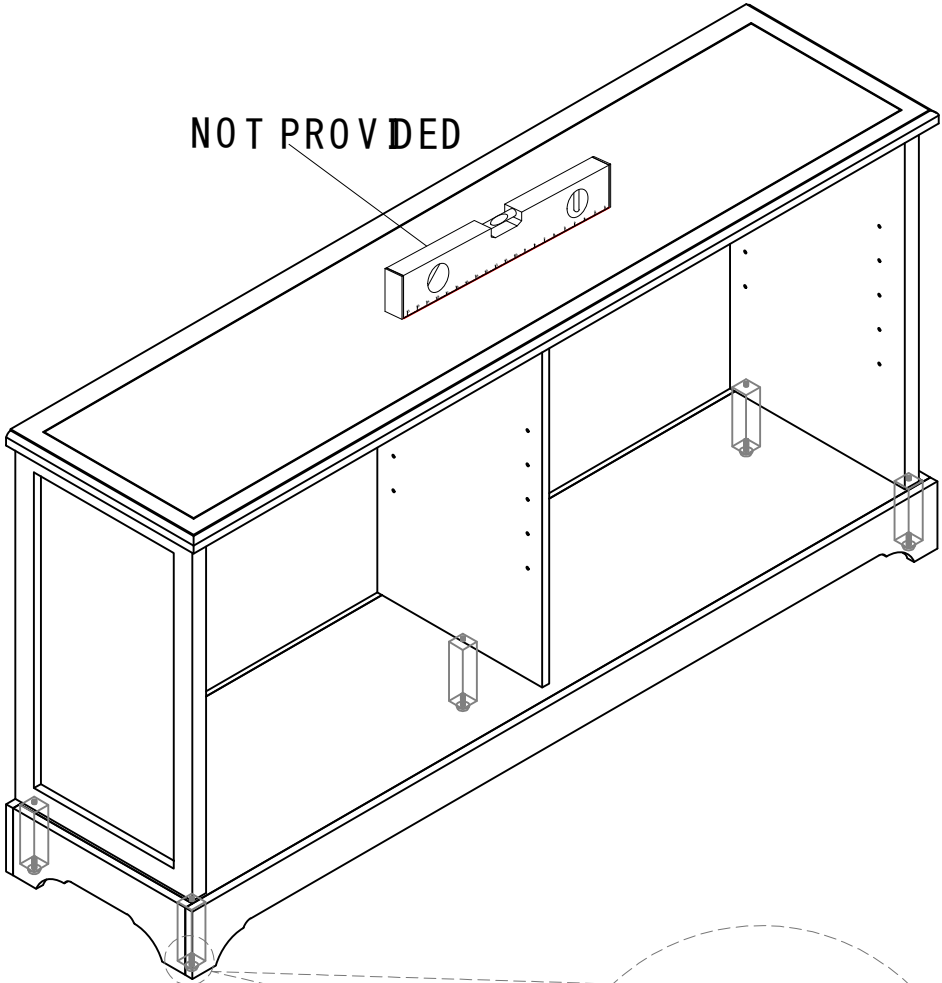
As shown in the figure: Open the back plate F and put it into the back plate slot, pass screw 21 through the back plate, and lock it with a screwdriver 17



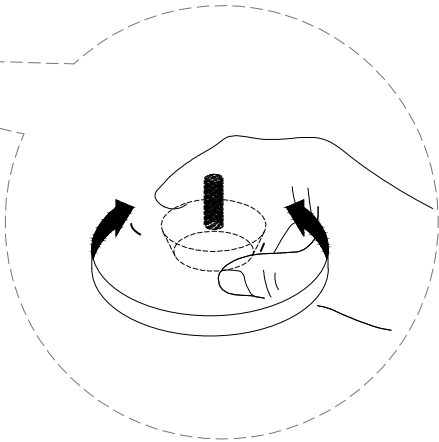
**Step 5**



**Attention:**  
Before the next step, adjust the feet of the locker to keep it level.

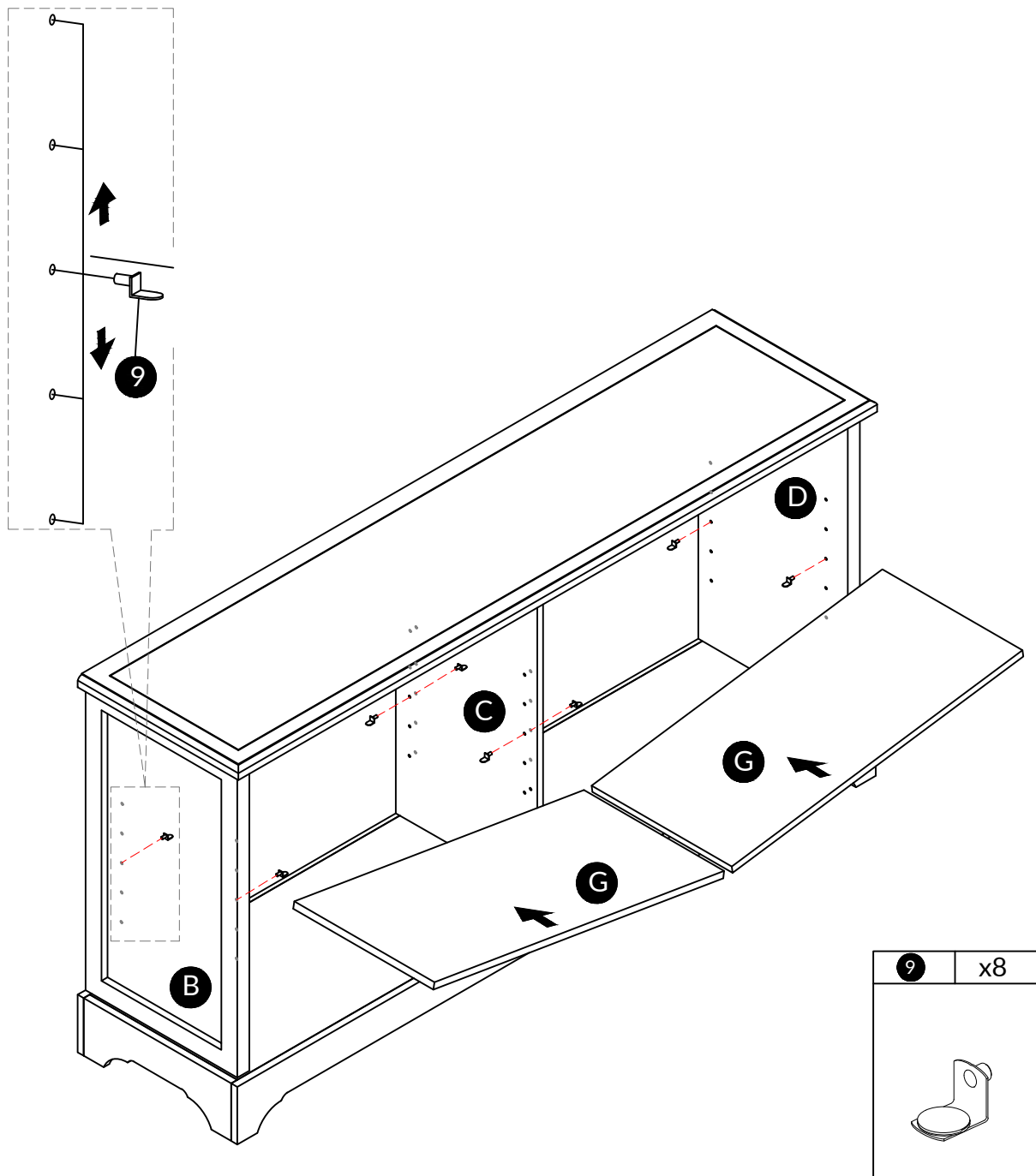


**NOT PROVIDED**



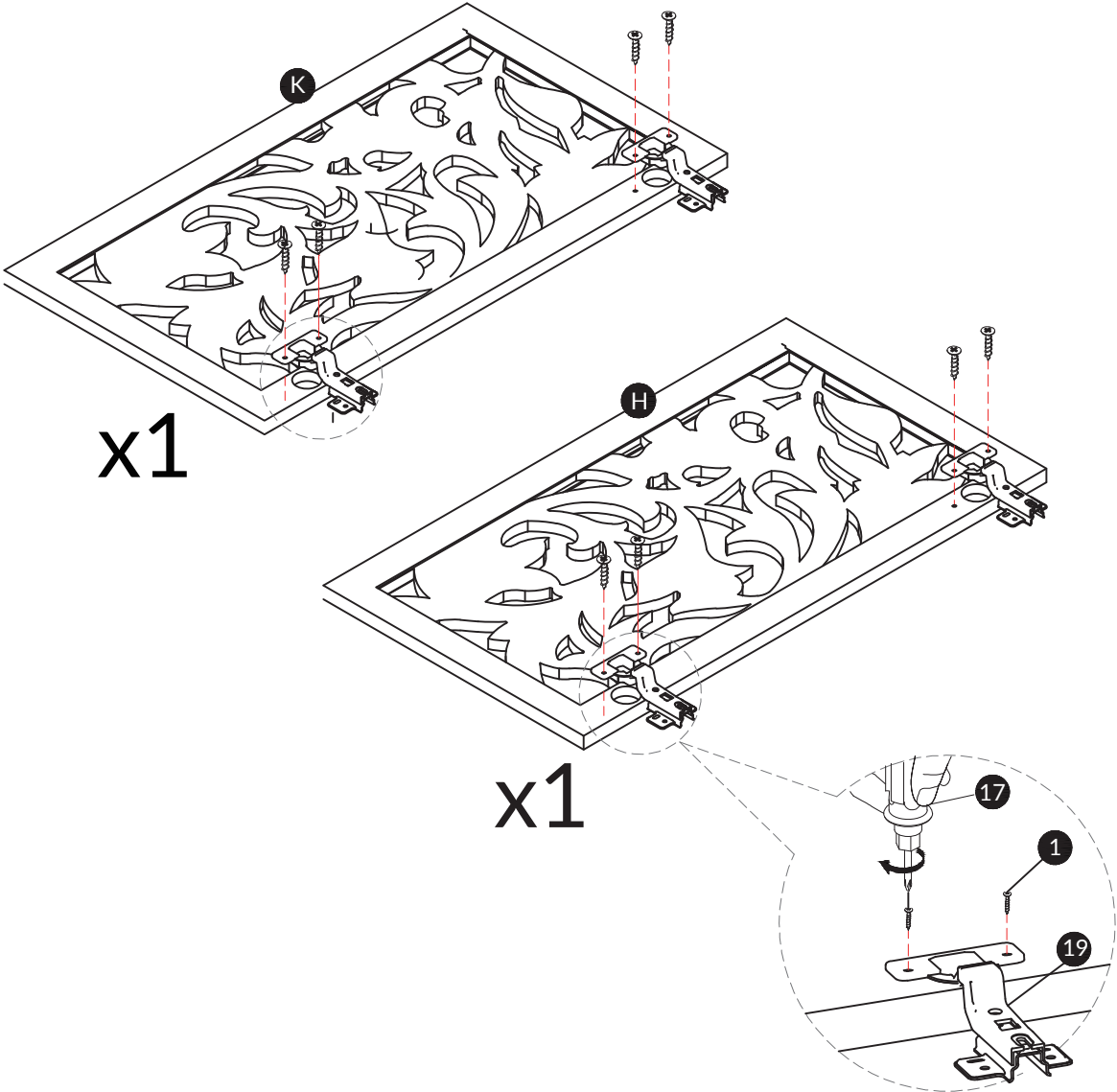
## Step 6

As shown in the figure: Install the laminate nail 9 into the corresponding hole position of the side plate B/C/D  
Put the shelf G into the inner shelf nail 9 of the cabinet





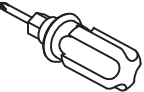
# Step 7

As shown in the figure: Load the hinge 19 into the H/K should hole position, and lock the screw 1 through the hinge with a screwdriver 17



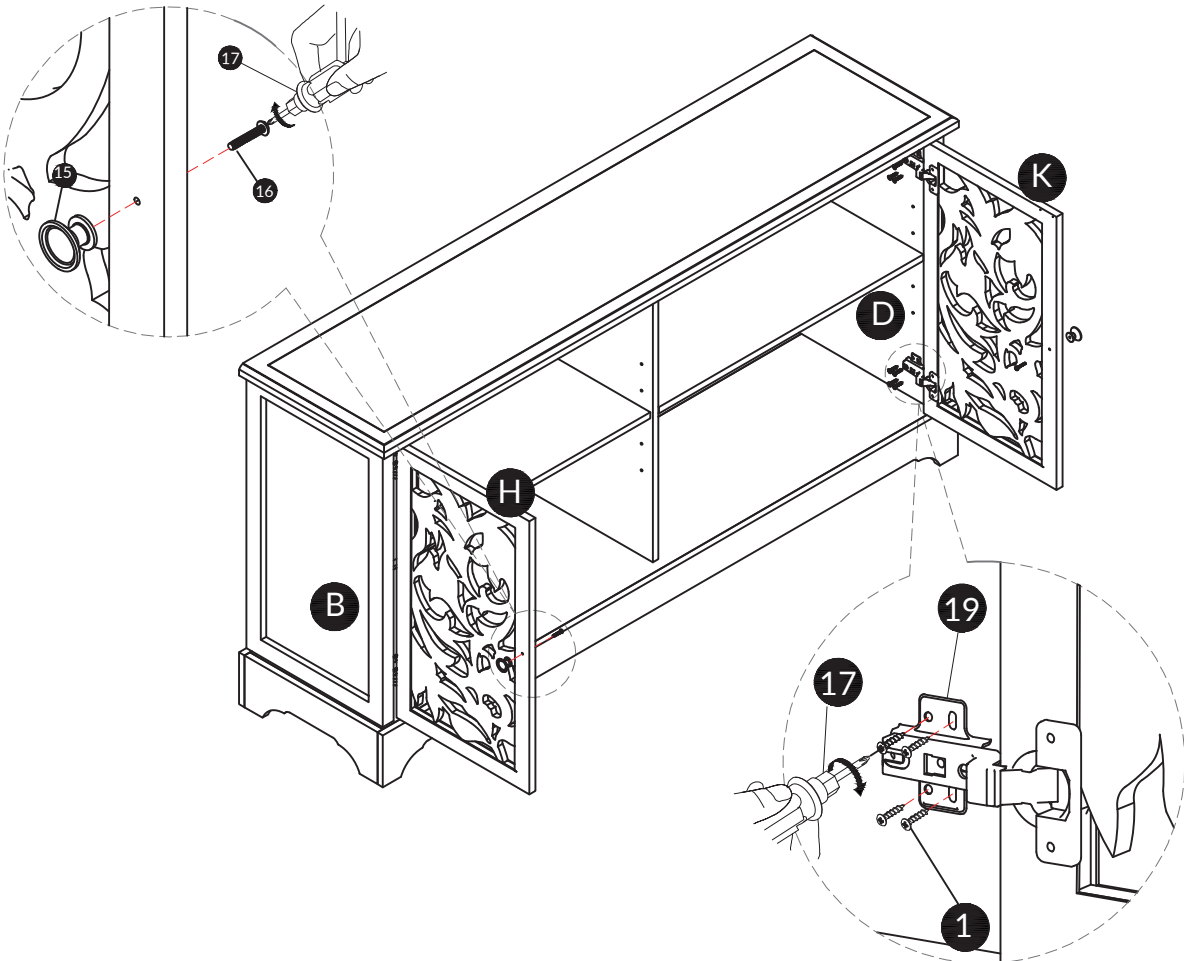
x1

x1

1	x8	19	x4	17	x1
					
D4x14mm		Ø35nn			

## Step 9

As shown in the figure: Install the door H/K into the corresponding hole of the side plate B/D, pass the screw 1 through the corresponding hole of the door H, and lock it with a screwdriver 17  
 Insert the screw 16 through the door H into the handle 15 holes, and lock it with a screwdriver 17

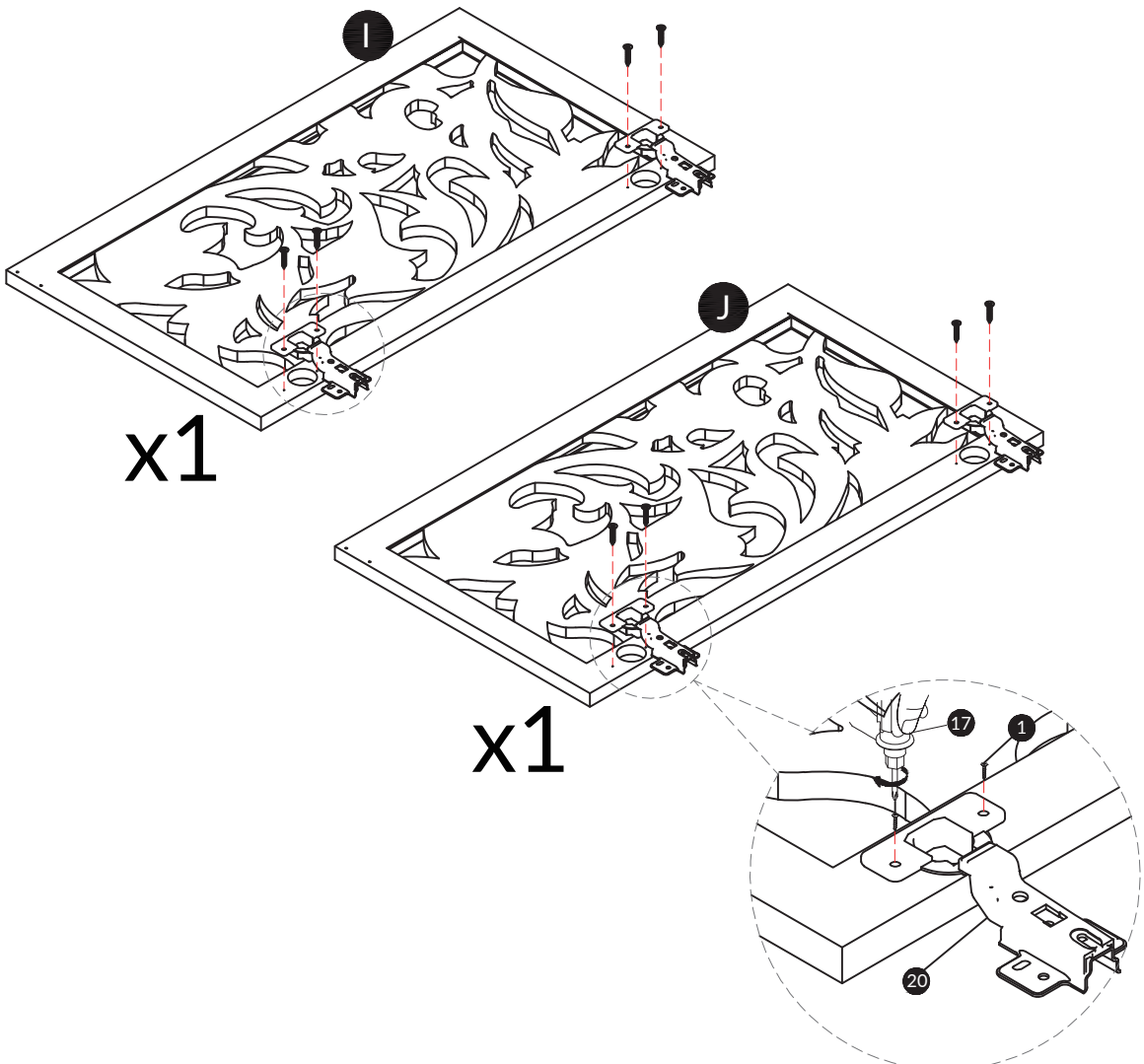



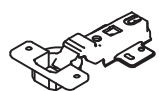
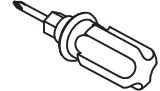
15	x2	16	x2	1	x16	17	x1
		D4x18mm		D4x14mm			



## Step 8

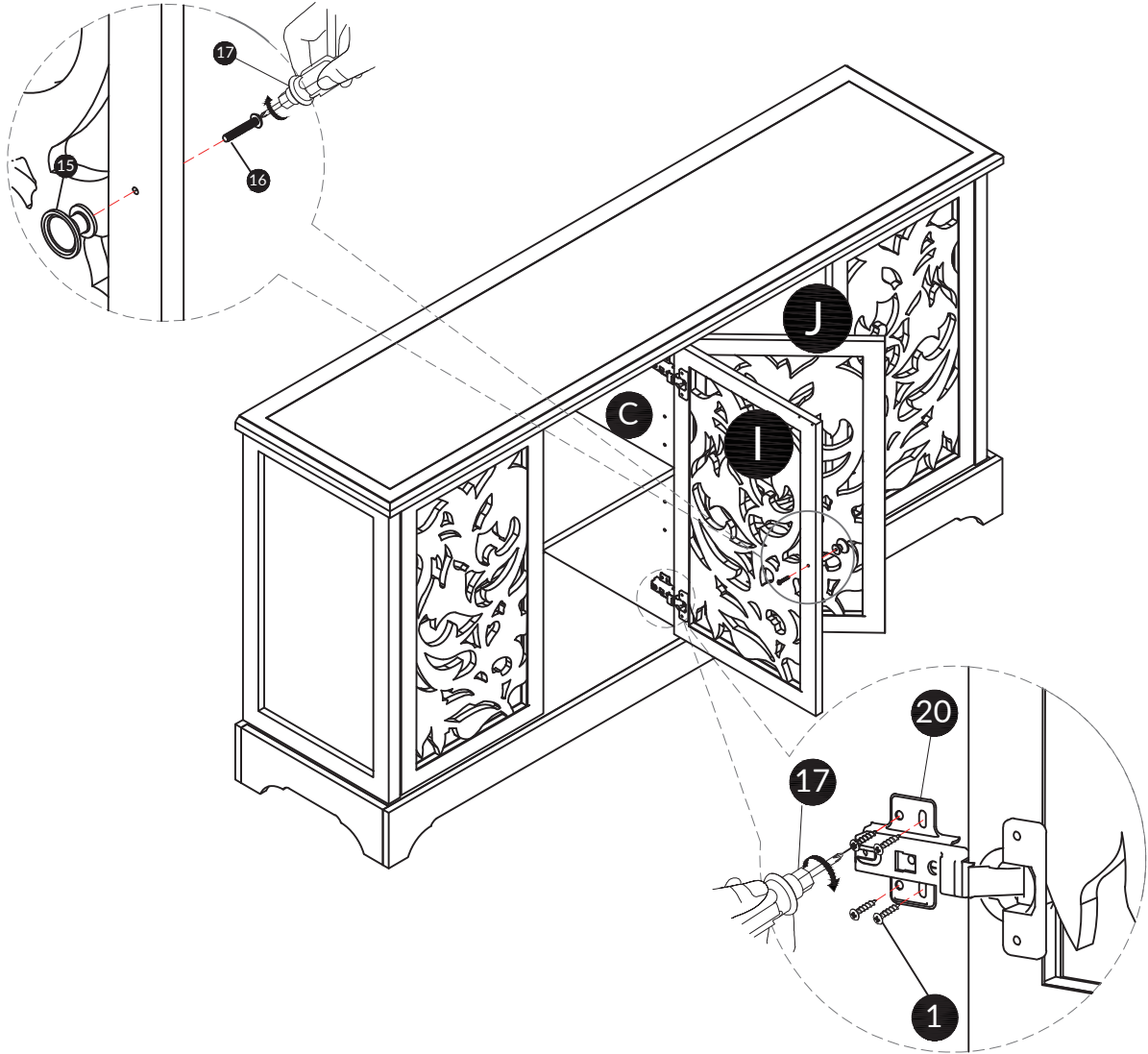
As shown in the figure: Insert the hinge 20 into the corresponding hole of I/J and lock the screw 2 through the hinge 20 with a screwdriver 17




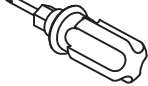


1	x8	20	x4	17	x1
					
D4x14mm		Ø35mm			

## Step 9

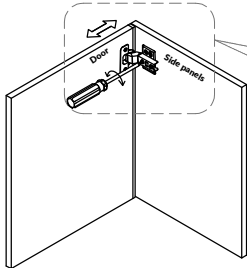
As shown in the figure: Install the door I/J into the corresponding hole of the side plate C, pass the screw 1 through the corresponding hole of the door I/J, and lock it with a screwdriver 17  
 Insert the screw 16 through the door I/J into the handle 15 holes, and lock it with a screwdriver 17



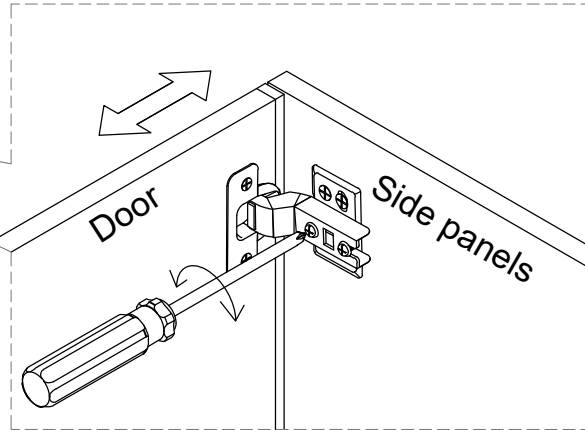
15	x2	16	x2	1	x16	17	x1
							
		D4x18mm		D4x14mm			

# Door Hinge Adjustment Instructions

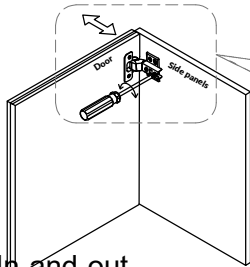
Concealed hinges are three-way adjustable:



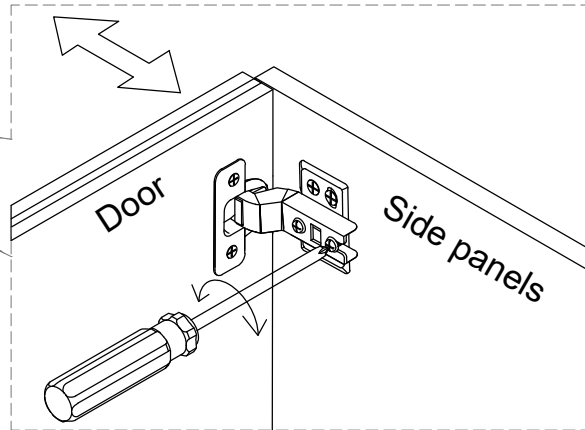
Horizontal  
by screw adjustment!



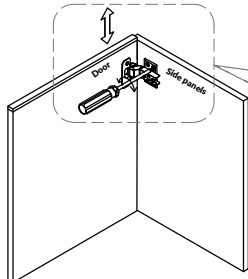
Concealed hinges are three-way adjustable:



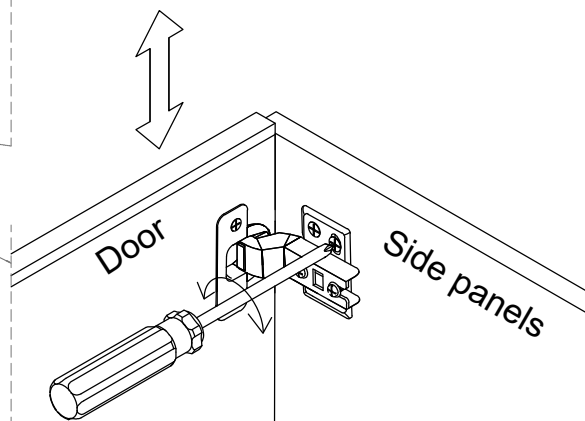
In-and-out  
by loosening the hinge arm  
mounting screw or via cam  
adjustment!



Concealed hinges are three-way adjustable:

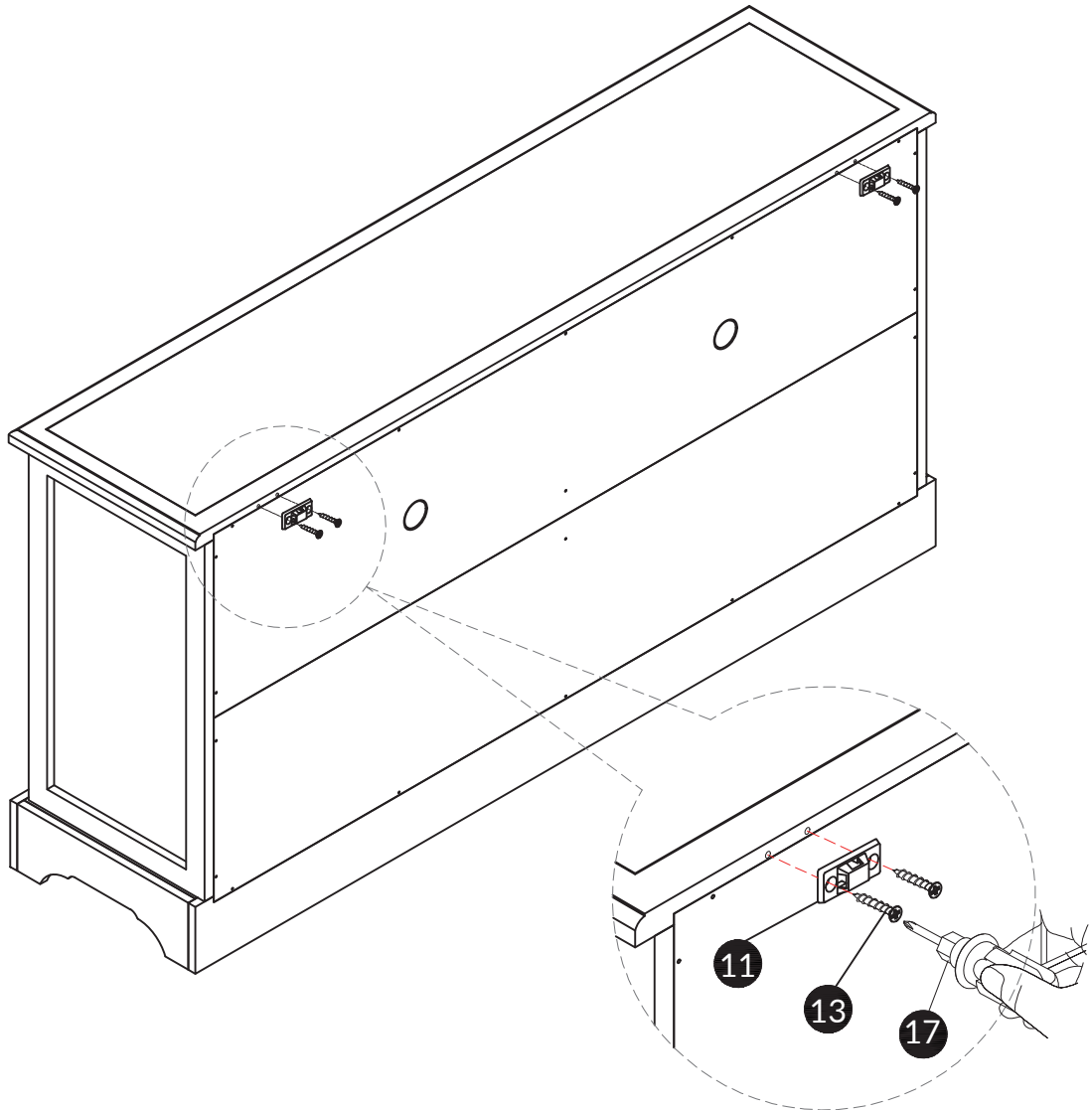



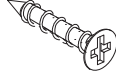
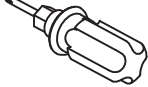
Vertical via slots in  
the mounting plate  
or via cam  
adjustment!



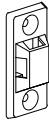
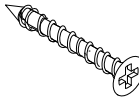

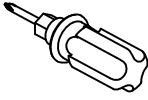
## Step 10

As shown in the figure: Screw 13 is inserted into the corresponding hole on the back of the cabinet through the anti-inverted buckle 11, and locked with a screwdriver 17

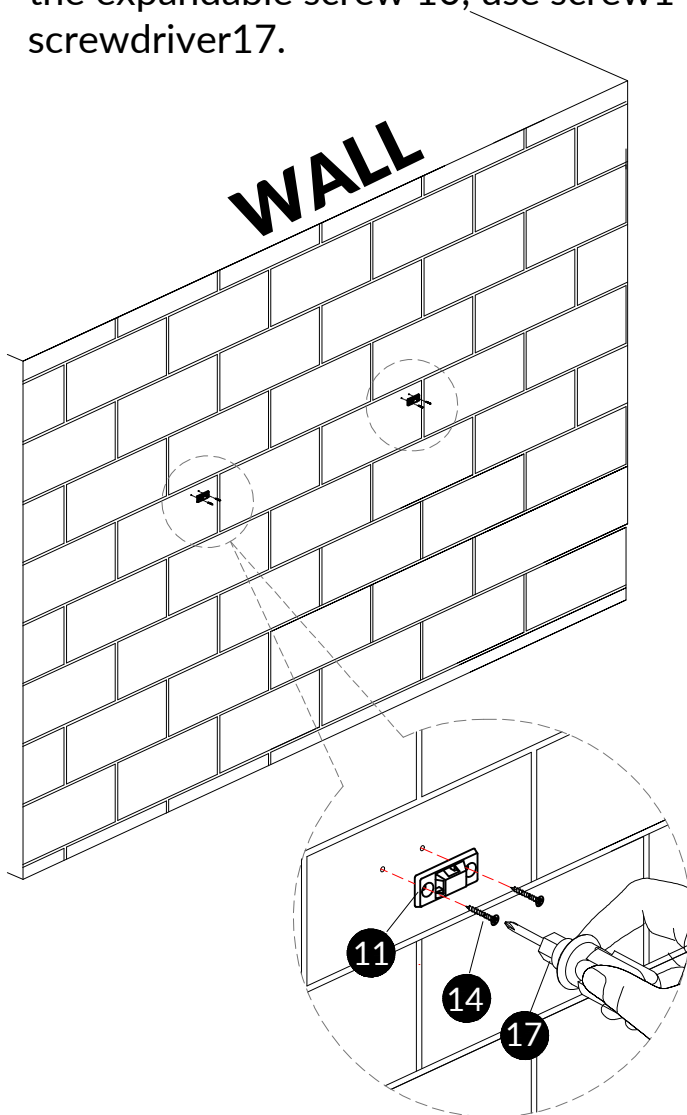


11	x2	13	x4	17	x1
					
		D4x20mm			

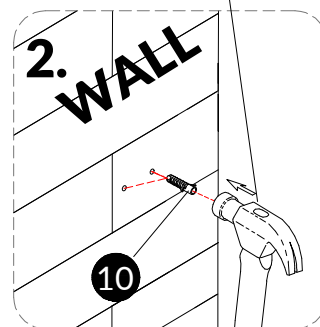
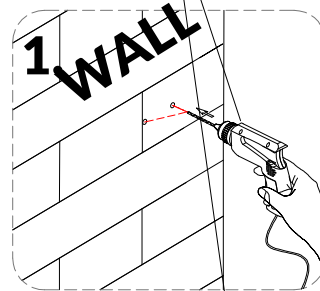
## Step 11

11	x2	14	x4	10	x4	17	x1
							
		D4x39mm					

1. Install the anti-collapse device.
2. Mark the position on the wall, that corresponds to the location of part 11 on the of panel (A); Drill and insert the expandable screw 10 by hammer.
3. Assemble the part 11 to the wall. Align the hole in the part 11 with the expandable screw 10, use screw 14 to attach it and tighten by screwdriver 17.

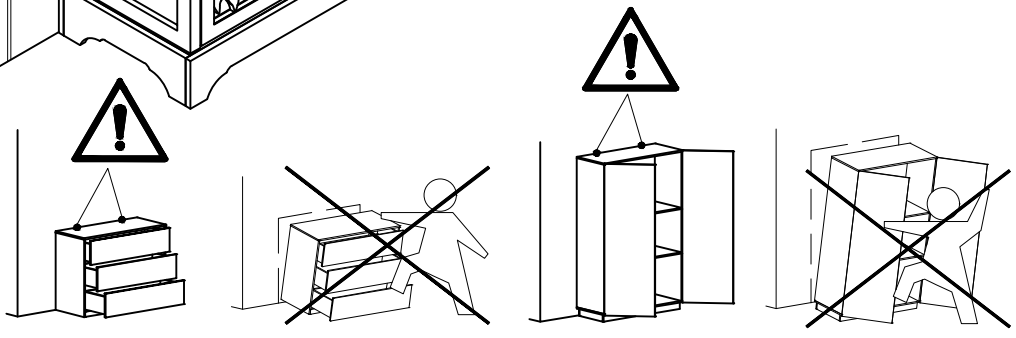
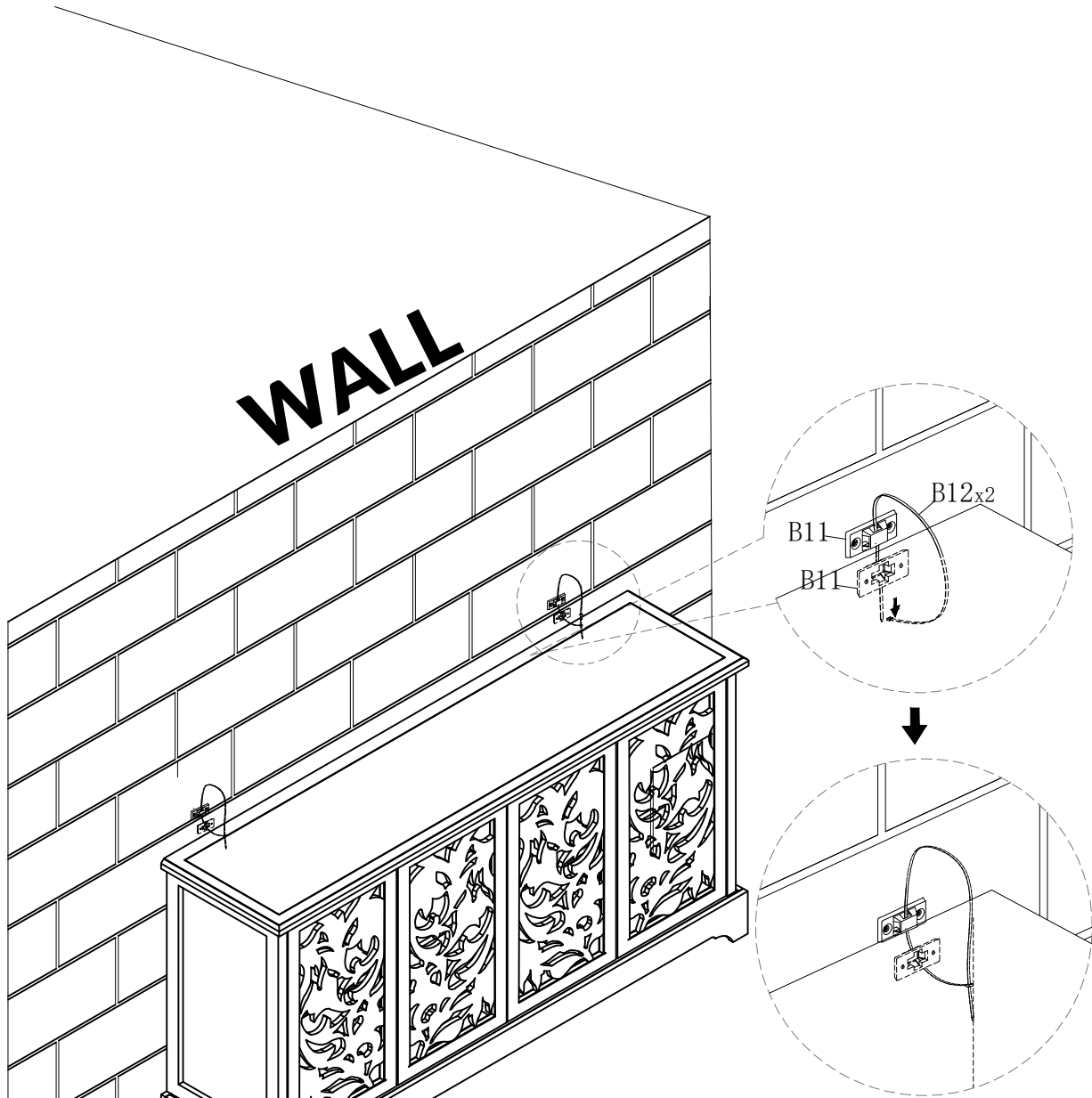


NOT PROVIDED



# Step 12

Let the plastic belt 12 pass through the both part 5 and pull tightly.



# WARRANTY

- We strive to offer quality products, and we also try our best to satisfy every customer who orders from us with products or services as needed.
- We provide 30 days warranty starting from the time you receive the item. Each customer must provide a record of their orders such as the order number, or item receipt for any items that are out of the warranty period you may also still receive.
- Replacement parts by purchasing them from our company if they are available.
- For return, please check the return policy with the retailer or market place you bought from