

INSTALLATION INSTRUCTIONS

LED VANITY FIXTURE

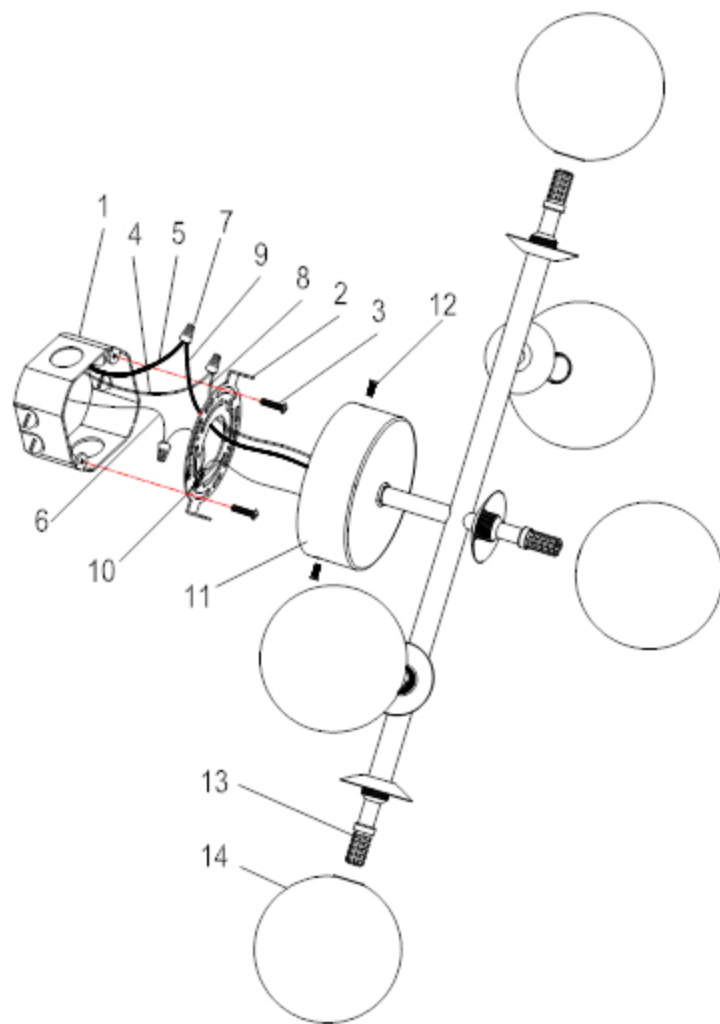
120VAC/60Hz Input, Dimmable

READ AND FOLLOW SAFETY INFORMATION

CAUTION - Turn off the main power at the circuit breaker before installing and servicing the fixture to prevent possible injury from electric shock. All electrical connections must be in accordance with local and National Electrical Code (N.E.C.) standards. If you are unfamiliar with proper electrical wiring connections, obtain the services of a qualified electrician.

INSTALLATION & ASSEMBLY

1. Pull the power supply wires out from the outlet box (1). Attach the mounting backplate(2) to the outlet box using two mounting screws (3).
2. Make wire connections, connect the black supply wire (5) to black fixture wire (9), white supply wire (4) to white fixture wire(8) and the fixture ground wire(10) to supply ground wire(6) using wire nuts (7). Wrap all wire connections with electrical tape for secure connection.
3. Place the Back Plate (11) of the lamp over the mounting bracket(2). Insert the fixture pan screws (12) and tighten to secure the lamp to the ceiling.
4. Slide the glass shade(14) over socket onto the socket cups, secure the glass shades to socket cups by threading the retaining ring(13).
5. Install light bulbs (NOT included), DO NOT exceed wattage maximum as indicated on the rating label.



- | | |
|------------------------------|-------------------------|
| 1. OUTLET BOX (NOT INCLUDED) | 8. WHITE FIXTURE WIRE |
| 2. MOUNTING BRACKET | 9. BLACK FIXTURE WIRE |
| 3. MOUNTING SCREW | 10. FIXTURE GROUND WIRE |
| 4. WHITE SUPPLY WIRE | 11. BACK PLATE |
| 5. BLACK SUPPLY WIRE | 12. SCREW |
| 6. SUPPLY GROUND WIRE | 13. RETAINING RING |
| 7. WIRE NUT | 14. GLASS SHADE |