

ASSEMBLY INSTRUCTIONS



ASSEMBLY INSTRUCTIONS

ASSEMBLY TIPS:

1. Remove hardware from box and sort by size.
2. Please check to see that all hardware and parts are present prior to start of assembly.
3. Please follow attached instructions in the same sequence as numbered to assure fast & easy assembly.



WARNING!

1. Don't attempt to repair or modify parts that are broken or defective. Please contact the store immediately.
2. This product is for home use only and not intended for commercial establishments.



ASSEMBLY TIME 50 MINUTES

PARTS IDENTIFICATION

A	TOP WOOD		1PC
B	SHELF GLASS		
C	BOTTOM WOOD		1PC
D	SIDE WOOD		1PC
E	CENTER SUPPORT BAR		2PCS
F	LARGE CROSSBAR		2PCS

ASSEMBLY INSTRUCTIONS

PARTS IDENTIFICATION

G BOTTOM CROSSBAR  1PC

H HANGER BRACKET  3PCS

I SMALL CROSSBAR  1PC


HARDWARE IDENTIFICATION

1 CAM-LOCK (Ø15mm)  2PCS

2 CAM-BOLT (38mm)  2PCS

3 WOOD DOWEL (10 x 50mm)  4PCS


4 GLASS METAL (10mm)  4PCS

5 GLASS BOLT (8 x 8mm)  4PCS

6 SMALL SCREW (7# x 15mm)  20PCS

7 BOLT (5/16" x 2-1/2")  3PCS

8 LARGE SCREW (5.5 x 70mm)  2PCS

9 WASHER (Ø50mm)  5PCS

10 SMALL WASHER (Ø19mm)  1PC

11 SMALL ALLEN BOLT (1/4" x 1" SR)  1PC





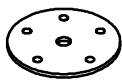

12 ALLEN BOLT (5/16" x 76mm SR)  1PC

13 FOOT PIN (Ø17mm)  5PCS

14 STICKER (Ø20mm)  2PCS

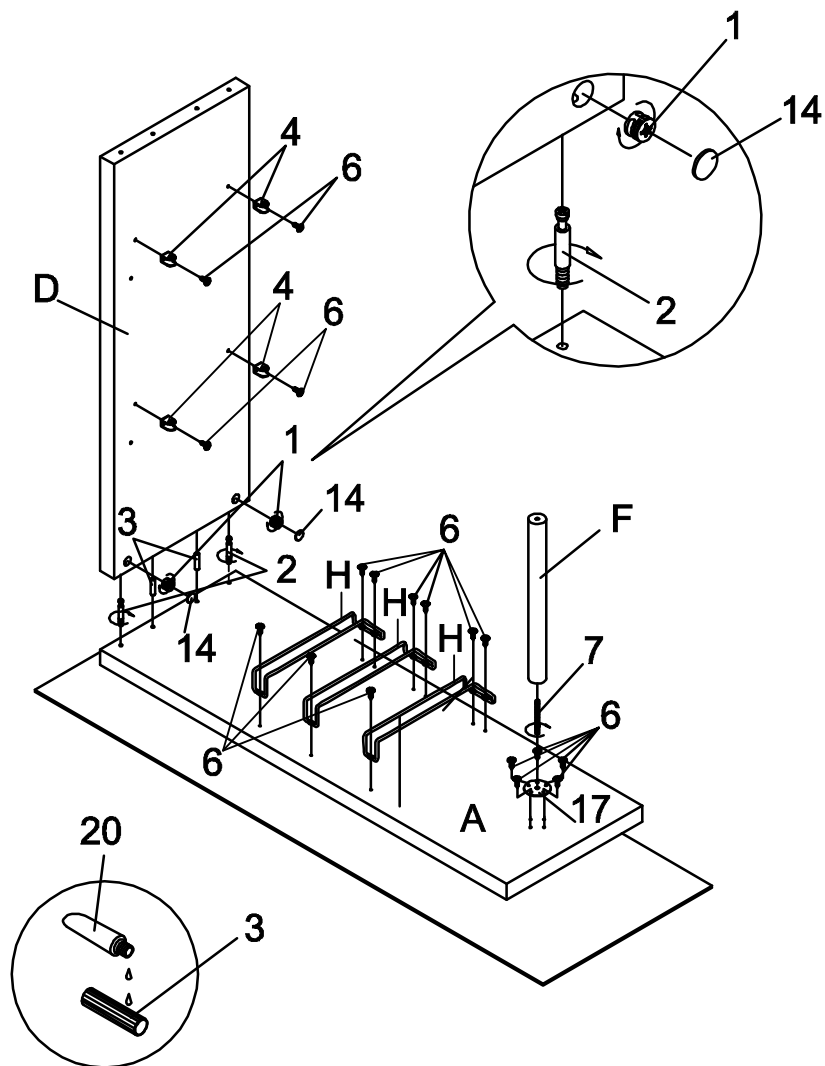
ASSEMBLY INSTRUCTIONS

HARDWARE IDENTIFICATION

15	ALLEN WRENCH (4mm,5mm)		1PC	18	SPRING WASHER (5/16")		1PC
16	LARGE WASHER (5/16")		1PC	19	LARGE ALLEN (1/4" x 235mm)		1PC
17	ROUND IRON (φ63mm)		1PC	20	GLUE		1PC

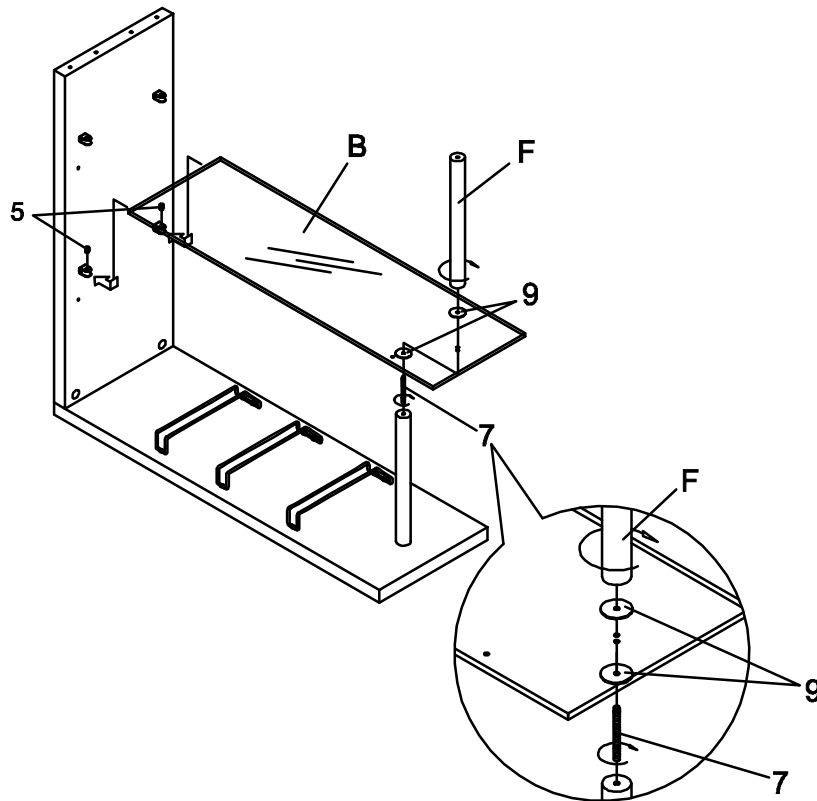
STEP 1

Do not tighten until each step is completed or instructed.

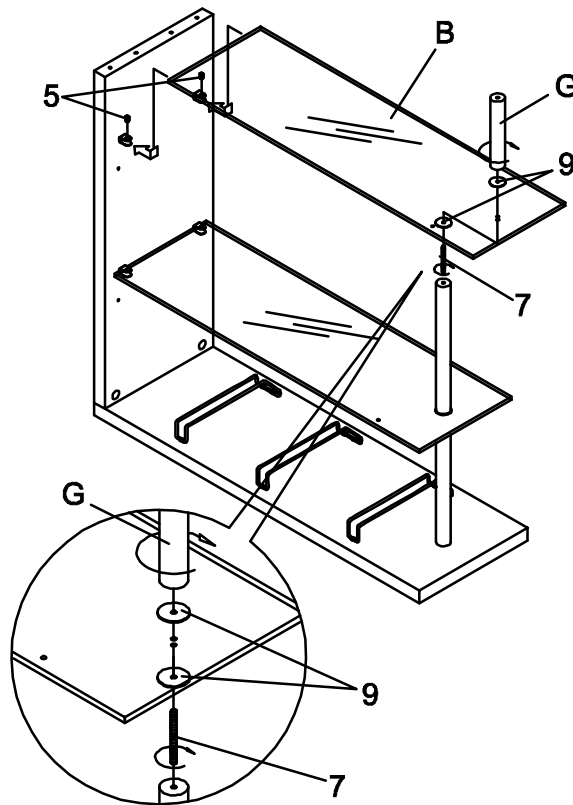


ASSEMBLY INSTRUCTIONS

STEP 2

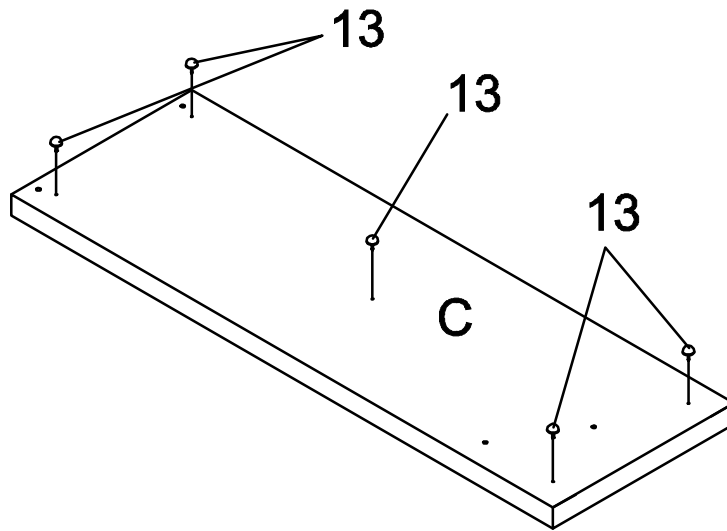


STEP 3

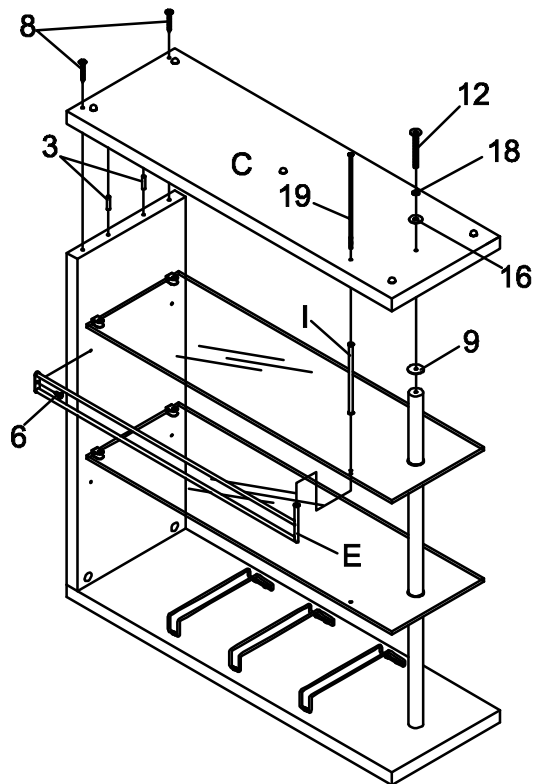


ASSEMBLY INSTRUCTIONS

STEP 4

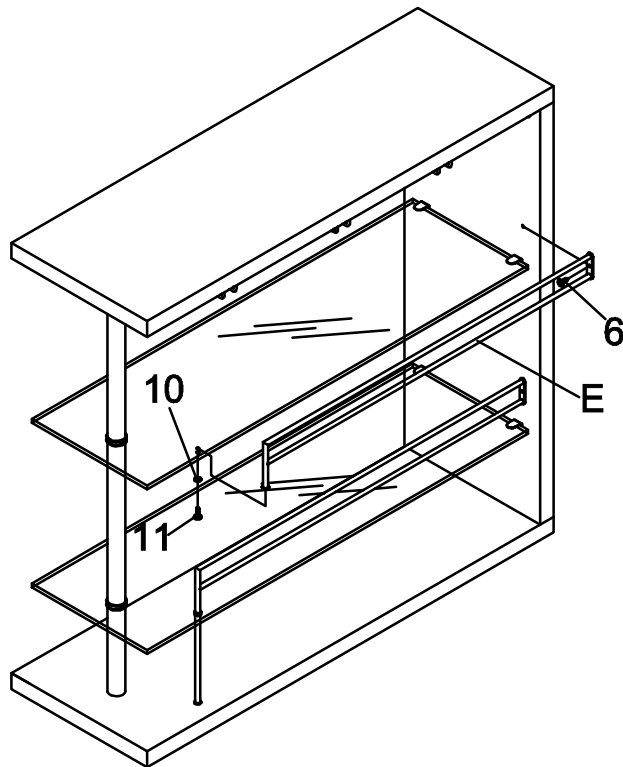


STEP 5



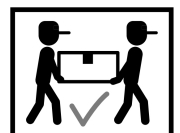
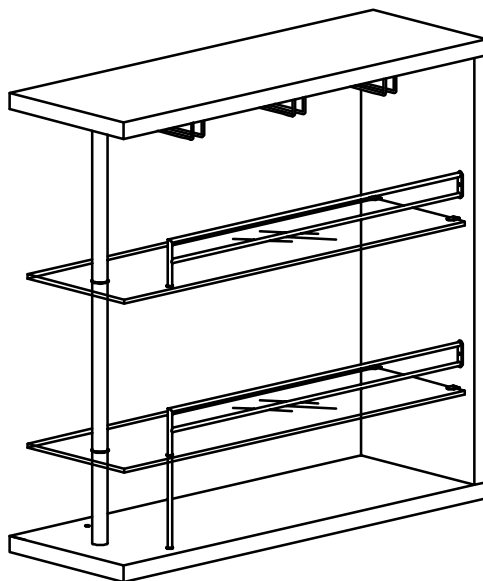
ASSEMBLY INSTRUCTIONS

STEP 6



STEP 7

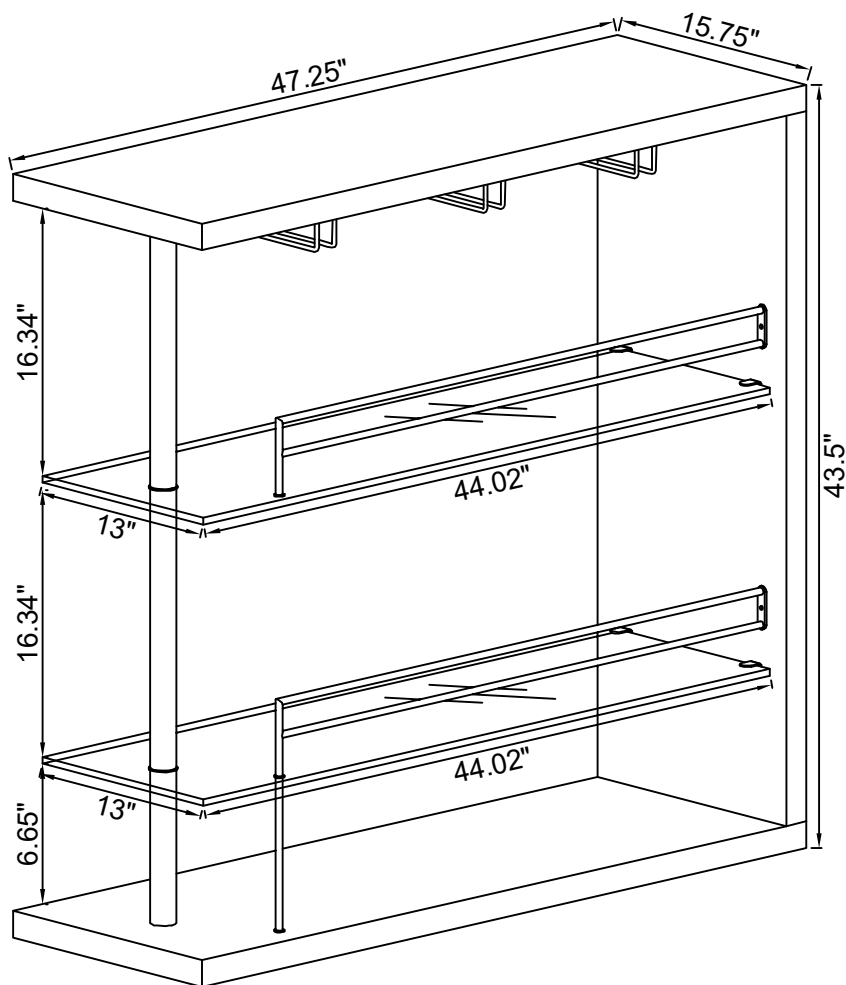
COMPLETE



ASSEMBLY INSTRUCTIONS

Product Size : 1200 X 400 X 1105 H (MM)

Product Size : 47 $\frac{1}{4}$ " X 15 $\frac{3}{4}$ " X 43 $\frac{1}{2}$ "



Note : Dimension tolerance $\pm 5\%$