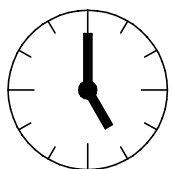
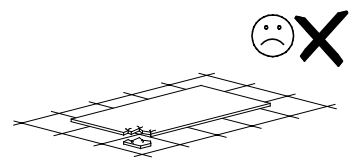
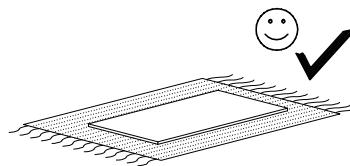
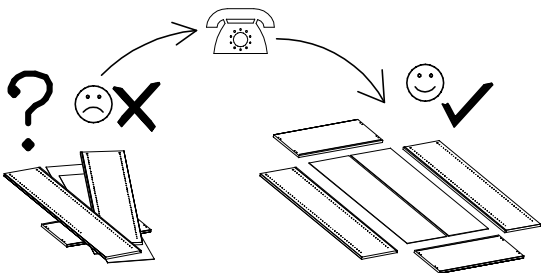
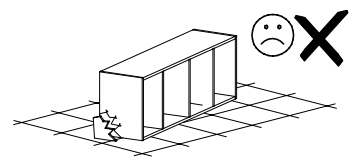
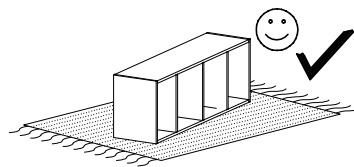
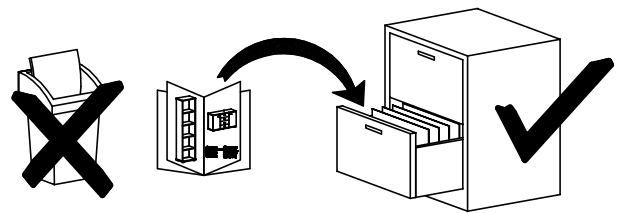
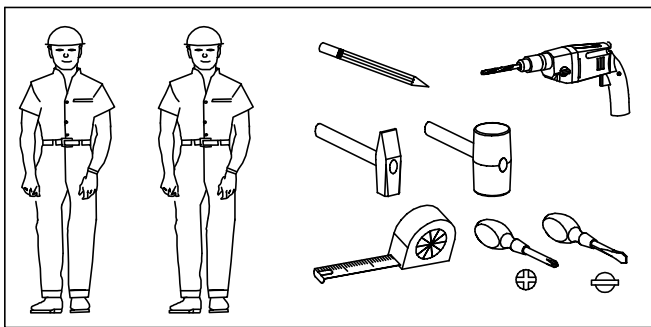
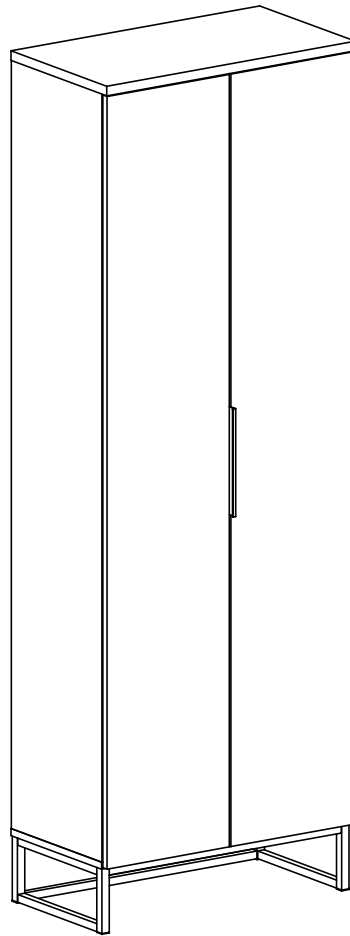
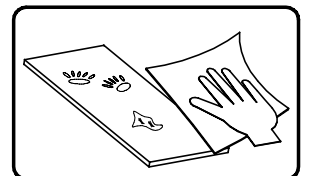
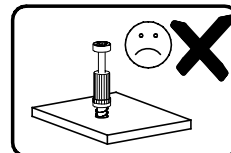
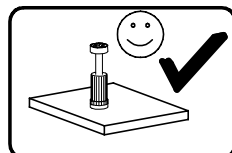


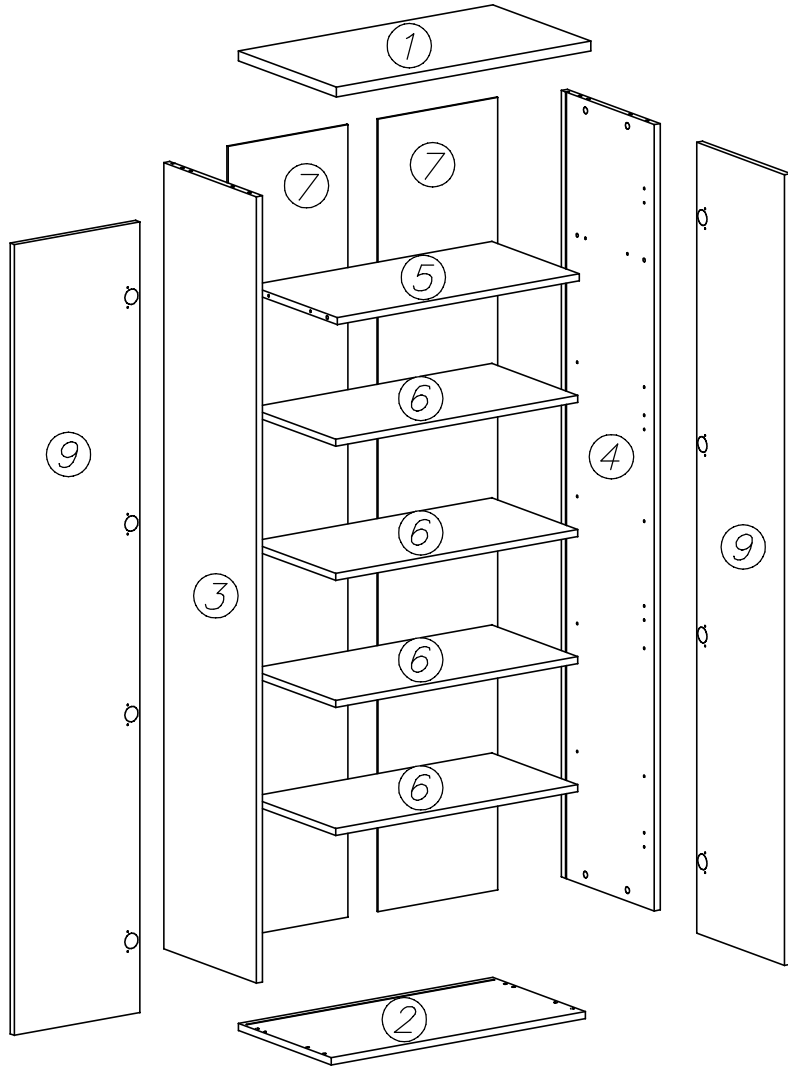
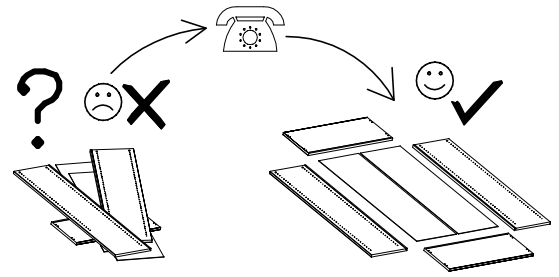
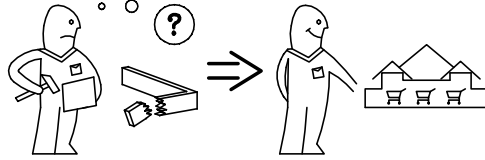
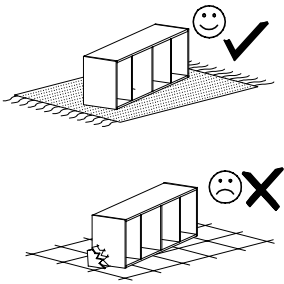
# TOP 01 – Kleiderschrank



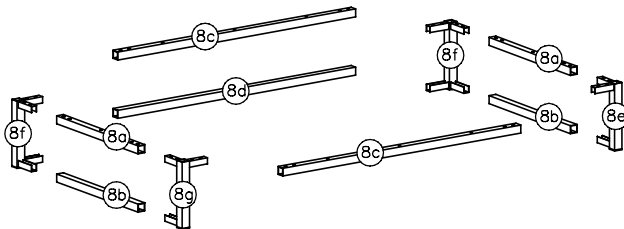
1,5h




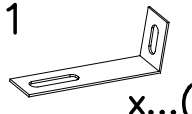
# TOP 01 – Kleiderschrank

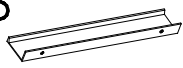


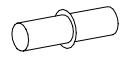
nr	L[mm]	B[mm]	T[mm]	Menge	Colli
1	680	374	22	1	1/2
2	680	354	16	1	1/2
3	1782	354	16	1	2/2
4	1782	354	16	1	2/2
5	647	334	16	1	1/2
6	647	328	16	4	1/2
7	1794	329	3	2	2/2
8a	314	18	18	2	1/2
8b	314	18	18	2	1/2
8c	636	18	18	2	1/2
8d	636	18	18	1	1/2
8e	150	20	20	1	1/2
8f	150	20	20	2	1/2
8g	150	20	20	1	1/2
9	1792	335	16	2	2/2
BESCHLAGE					1/2

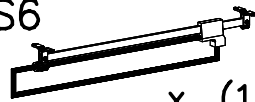


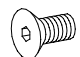
**G28**  
  
 4x60 x...(1)


**M11**  
  
 x...(1)


**E96**  
  
 224mm x...(1)


**F2**  
  
 x...(16)

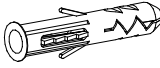
**S6**  
  
 x...(1)


**N36**  
  
 M5x10 x...(28)

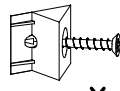
**G34B**   
 Black/Schwarz  
 3,5x16 x...(2)

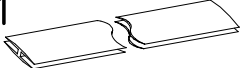
**G34**   
 3,5x16 x...(28)

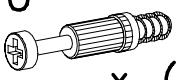
**K1**   
 ø15x12 x...(12)


**U6**   
 ø8x40 x...(1)

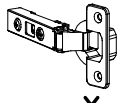
**I7**   
 x...(12)

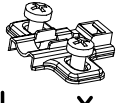
**I1**   
 x...(10)


**S1**   
 1781mm x...(1)

**K10**   
 x...(12)

**B1**   
 ø8x35 x...(12)

**C15**   
 Z35CL x...(8)

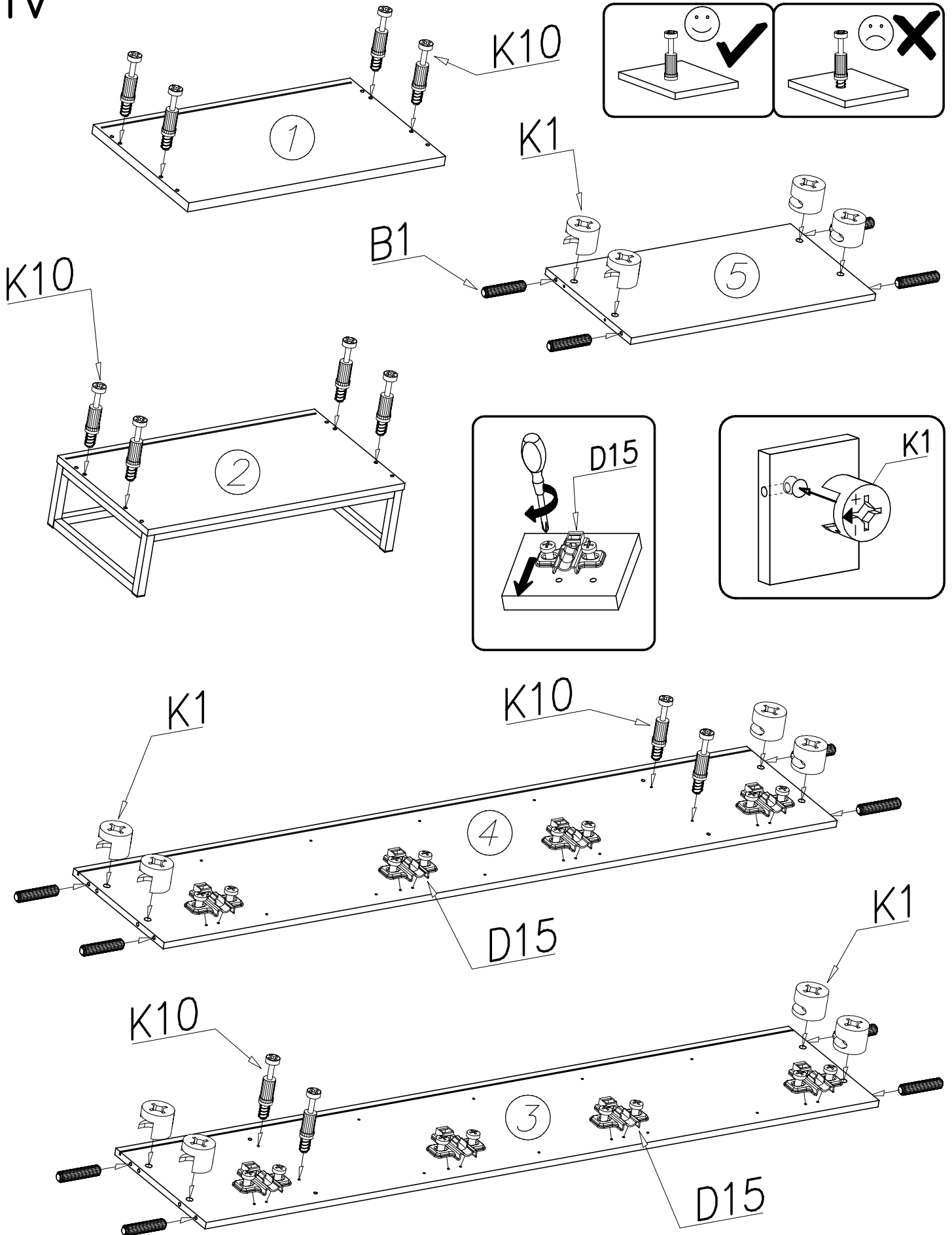
**D15**   
 PZ35CL x...(8)

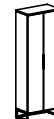
**G8B**   
 Black/Schwarz  
 4x30 x...(8)



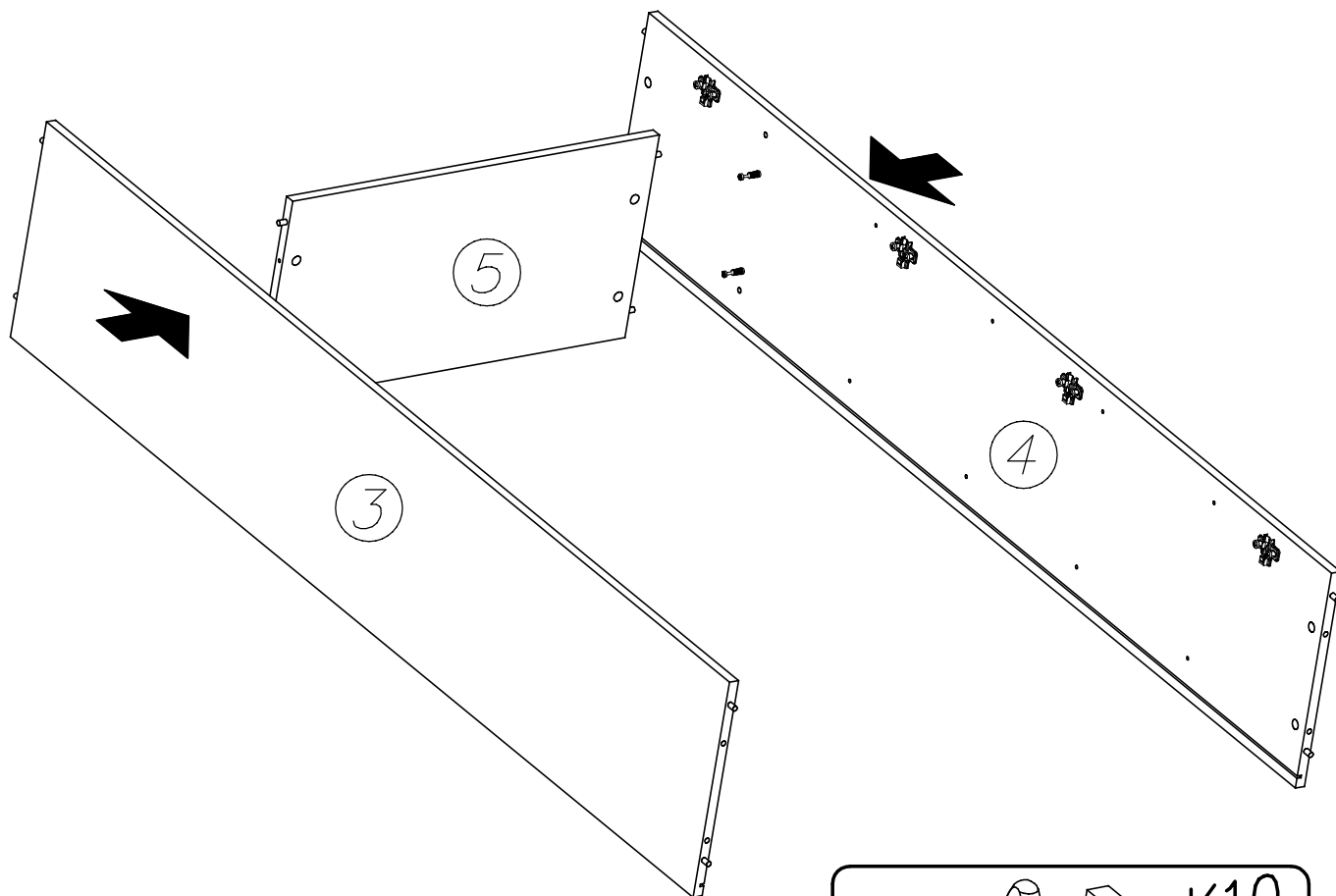


IV

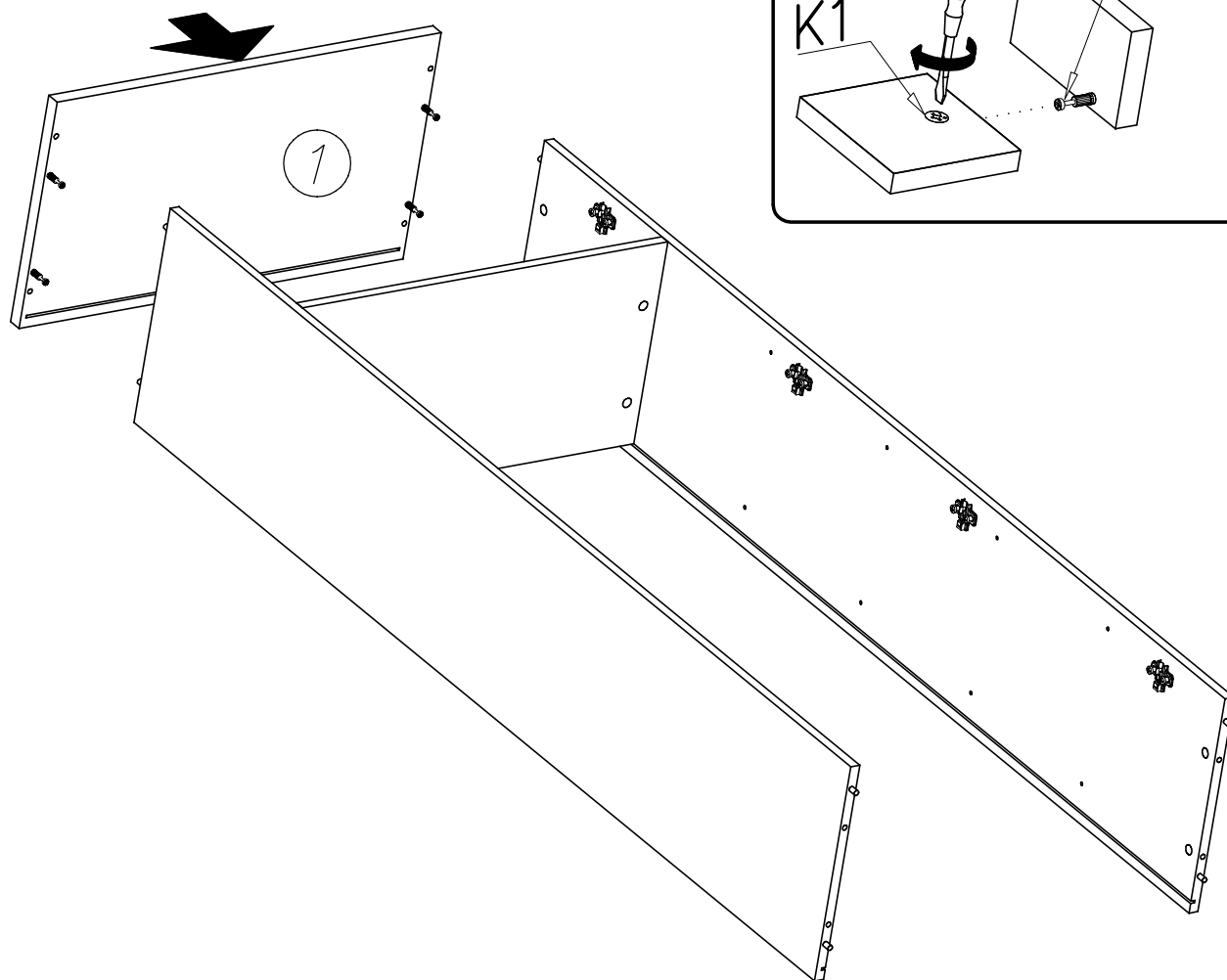


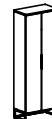


V

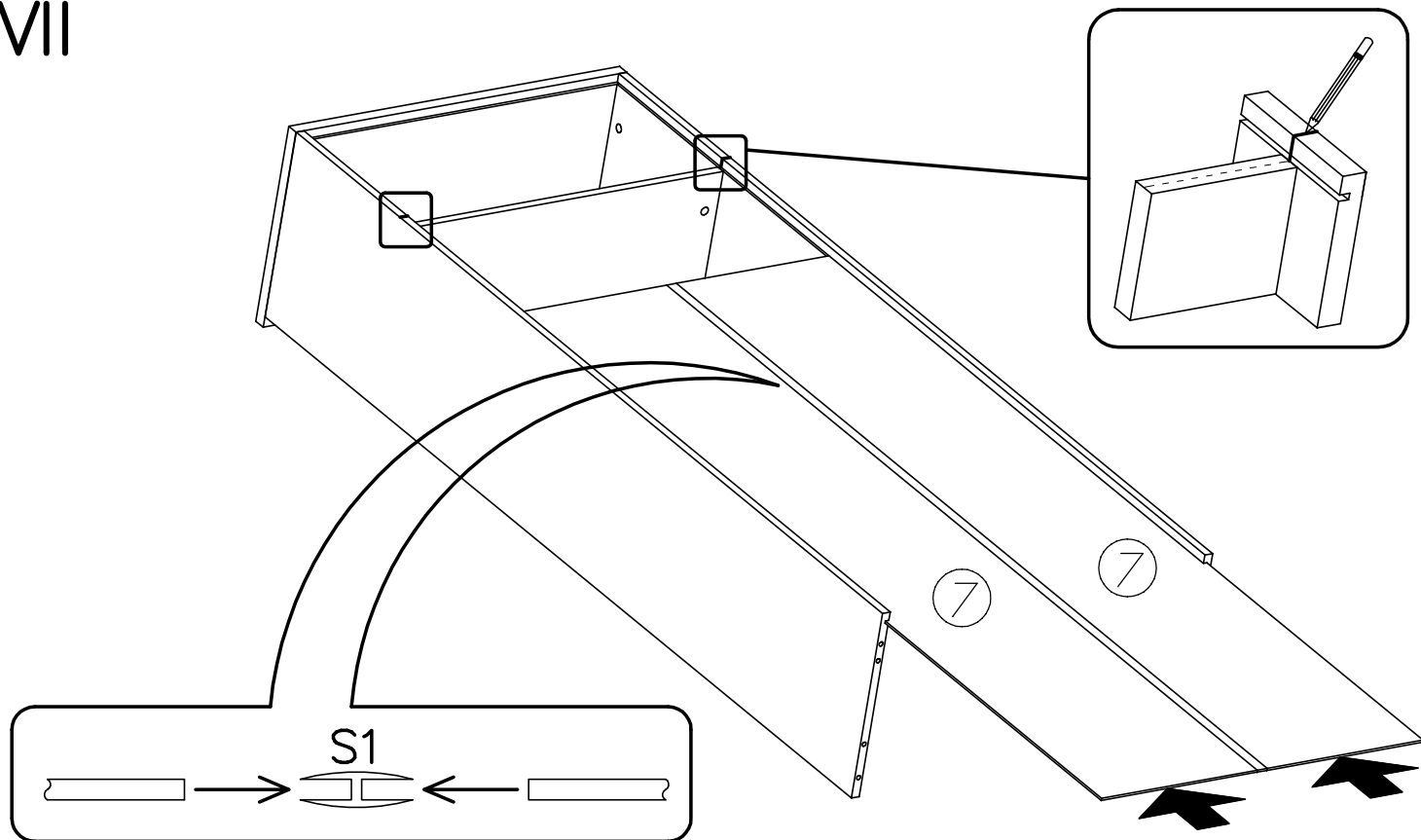


VI

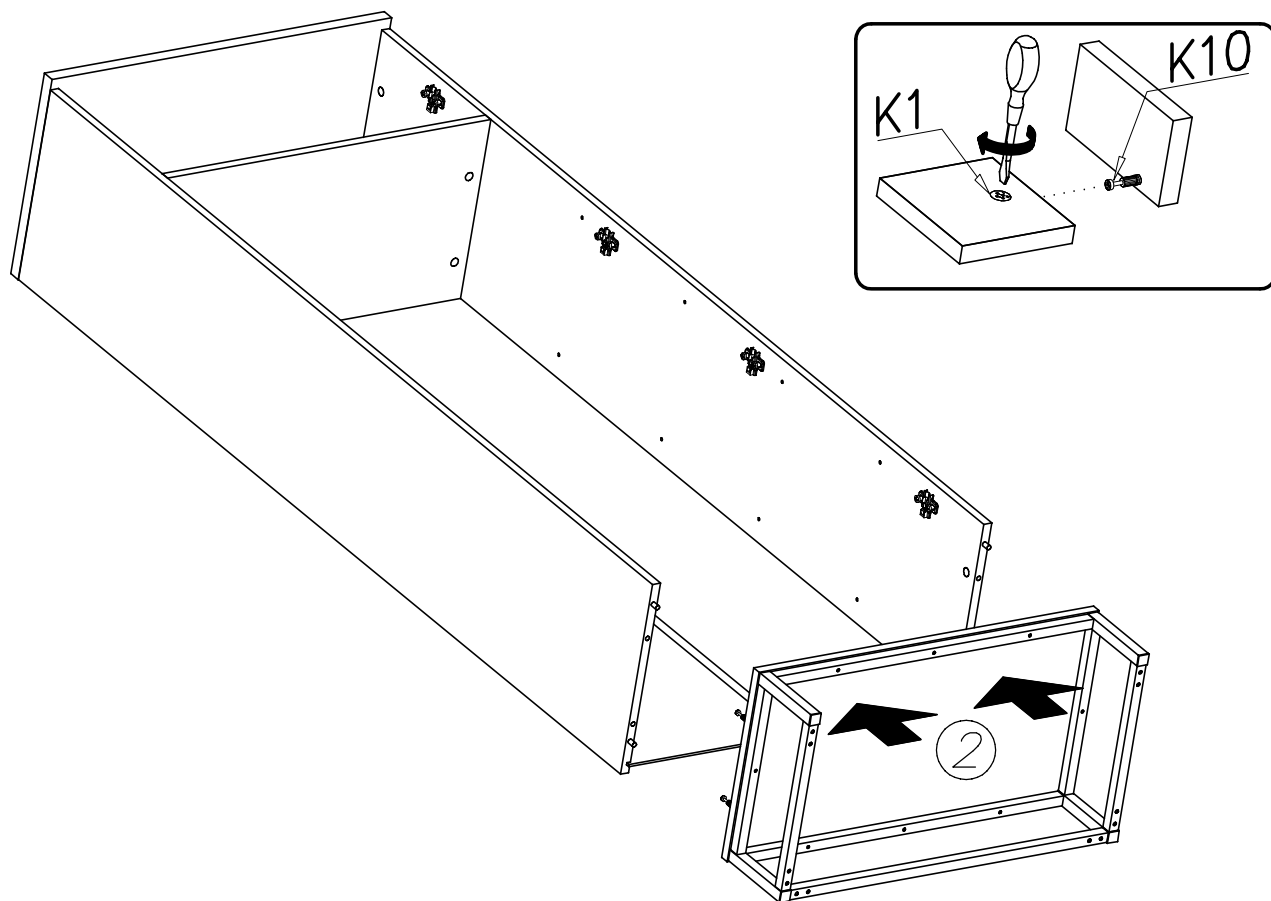




VII

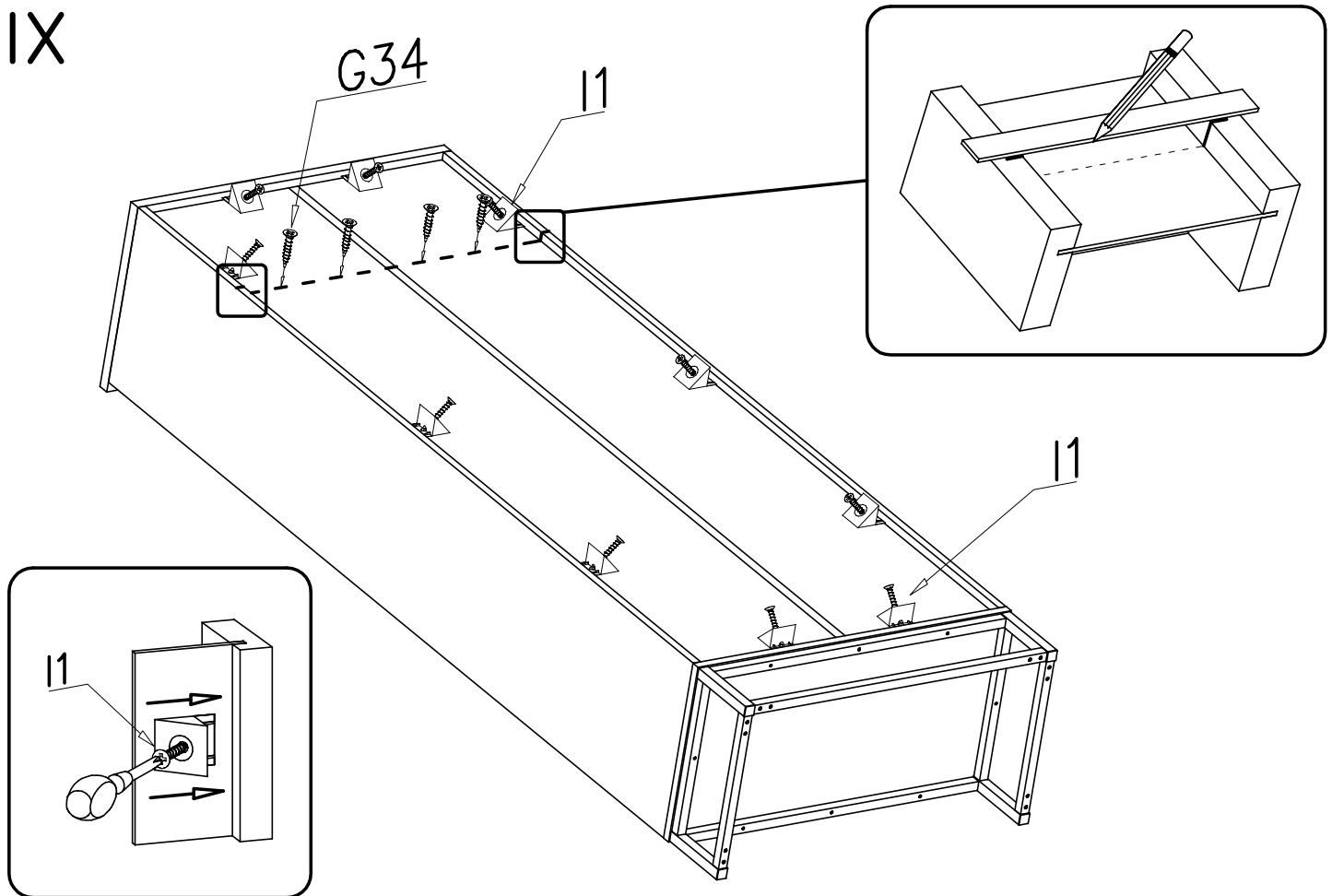


VIII

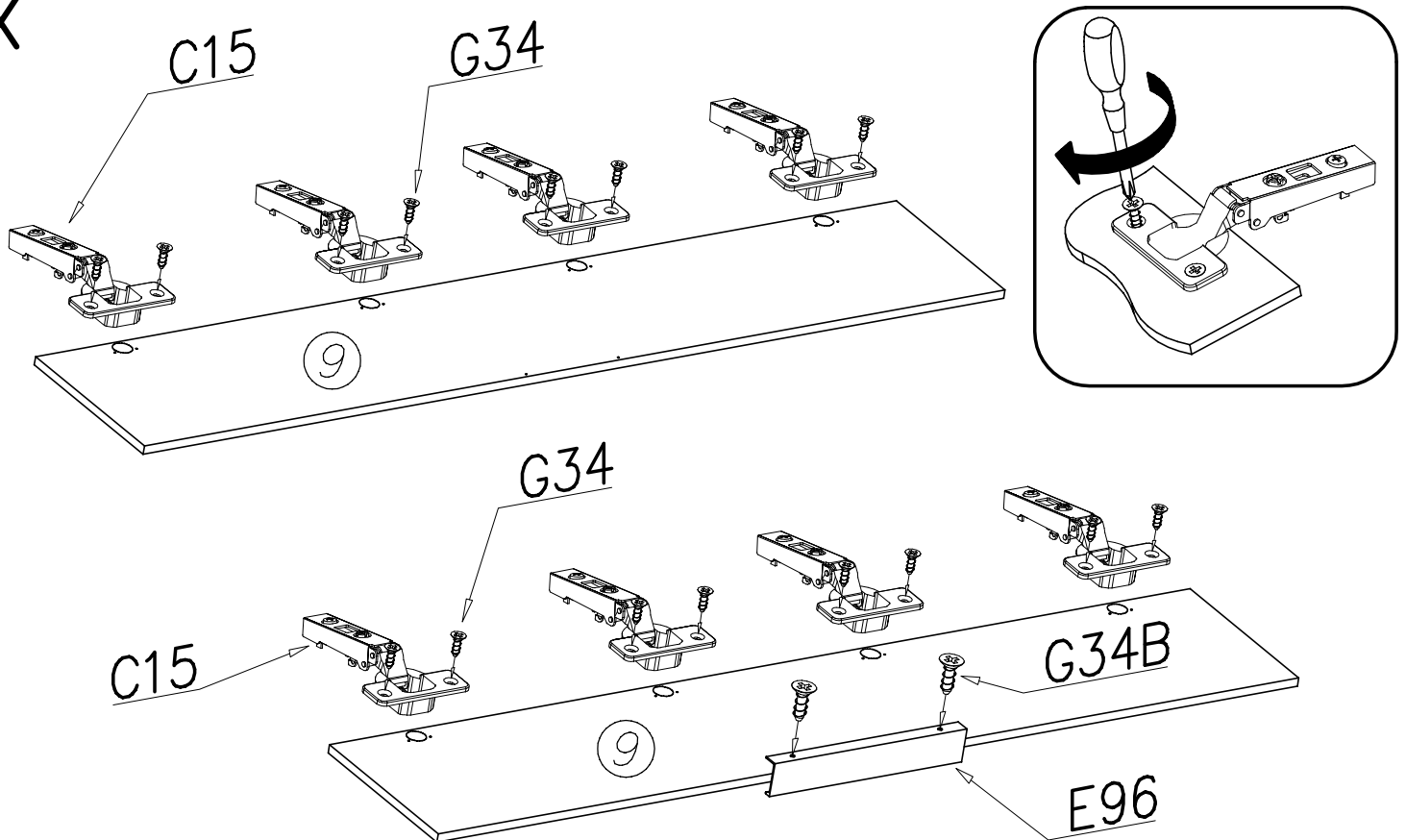


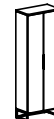


IX

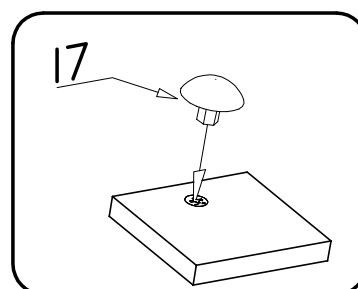
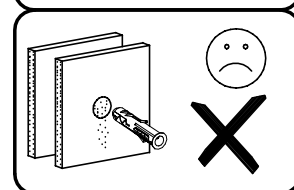
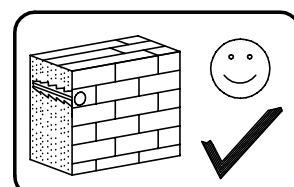
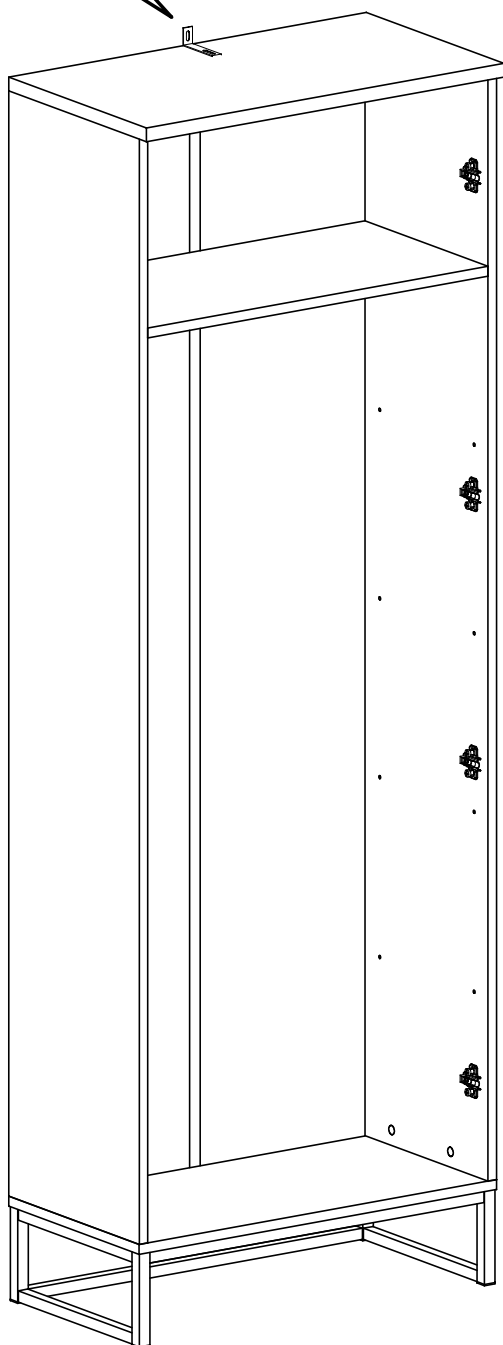
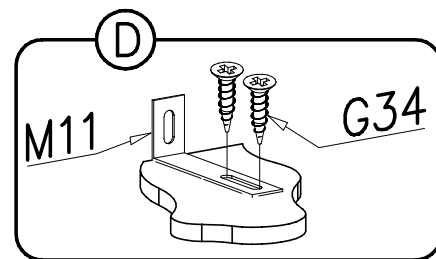
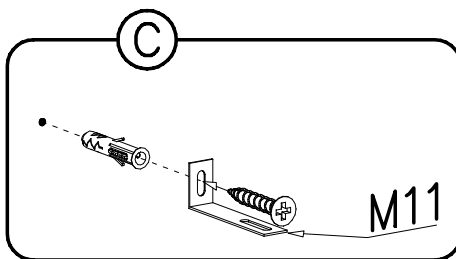
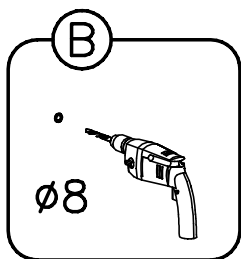
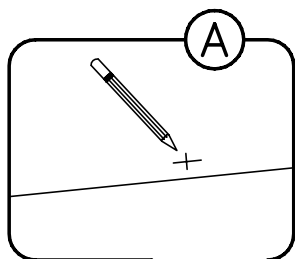


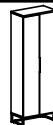
X



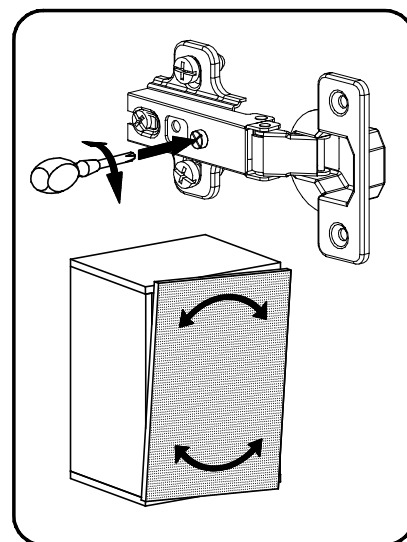
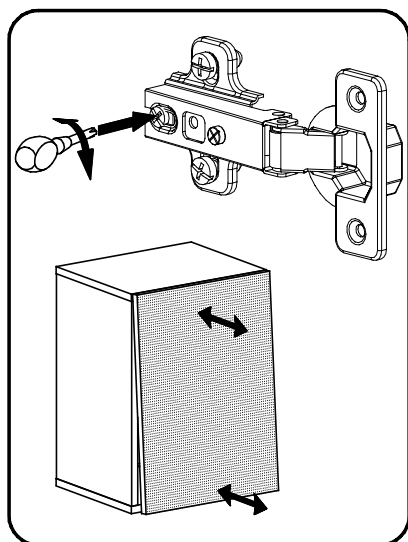
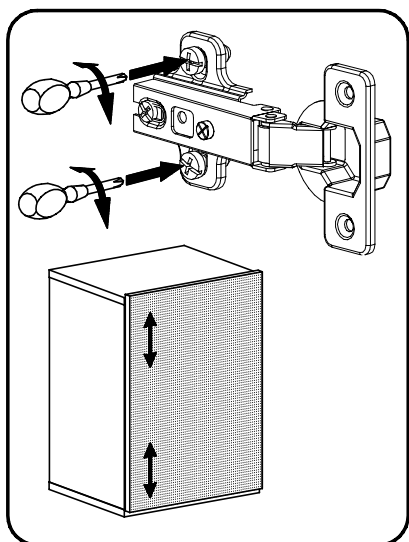
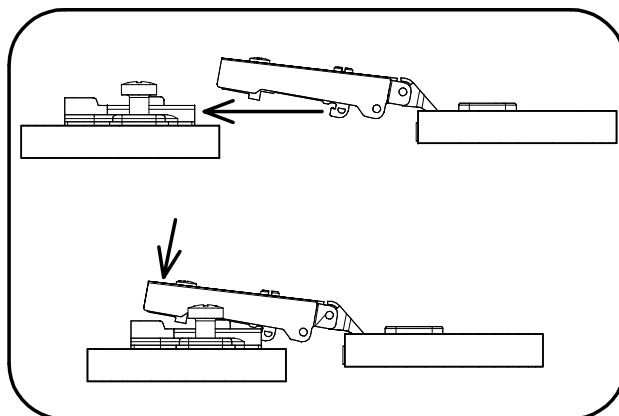
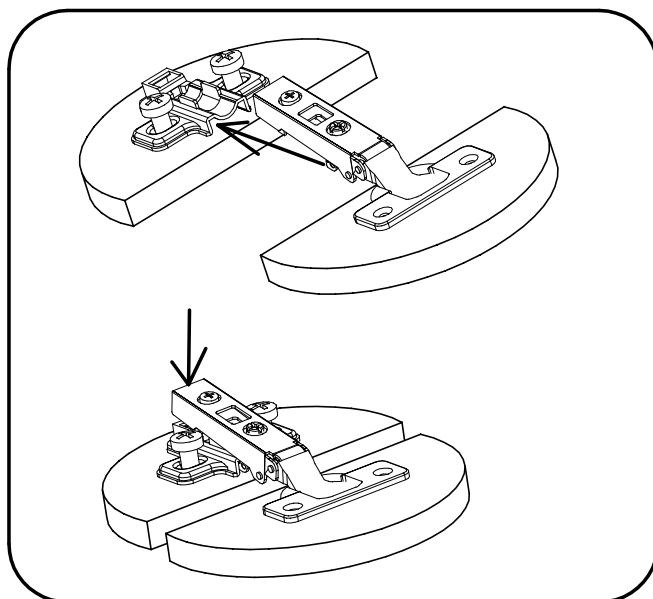
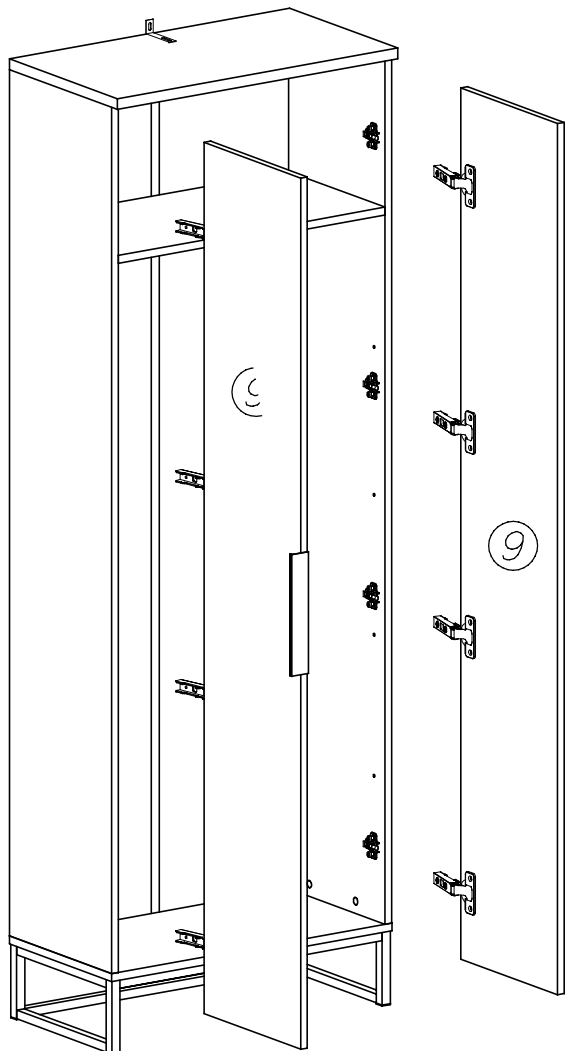


## XI





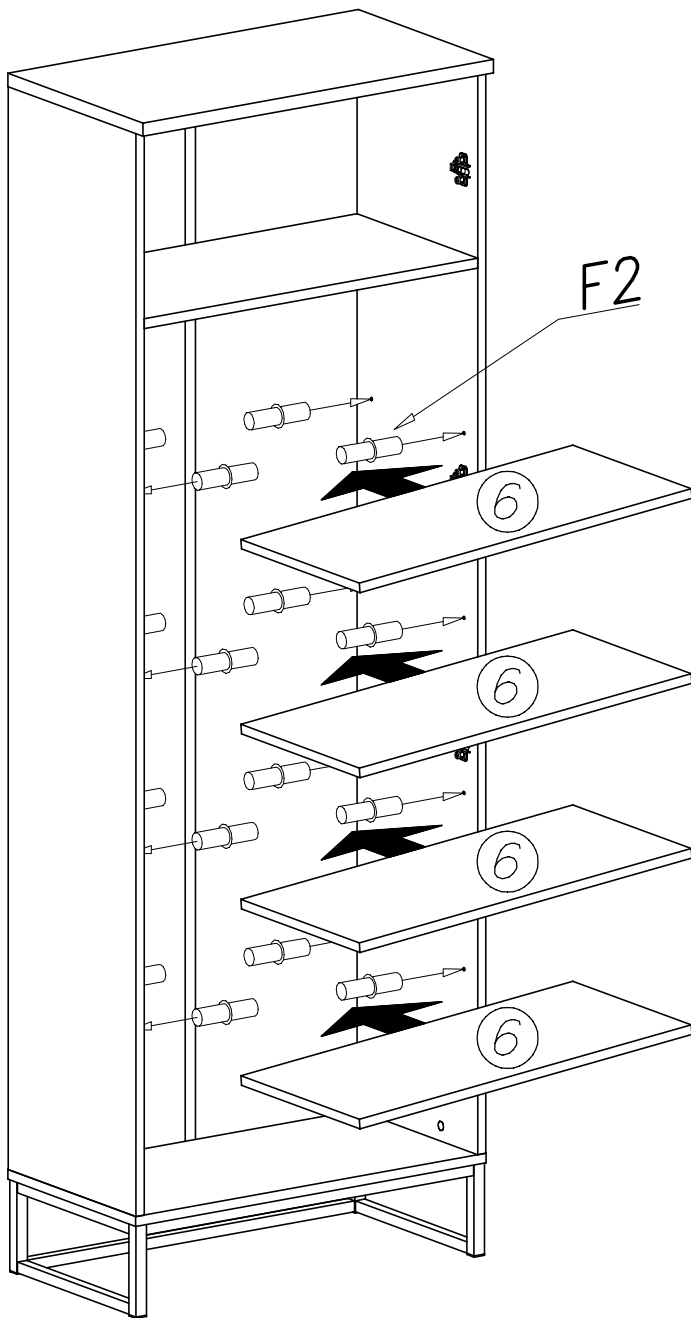
## XII





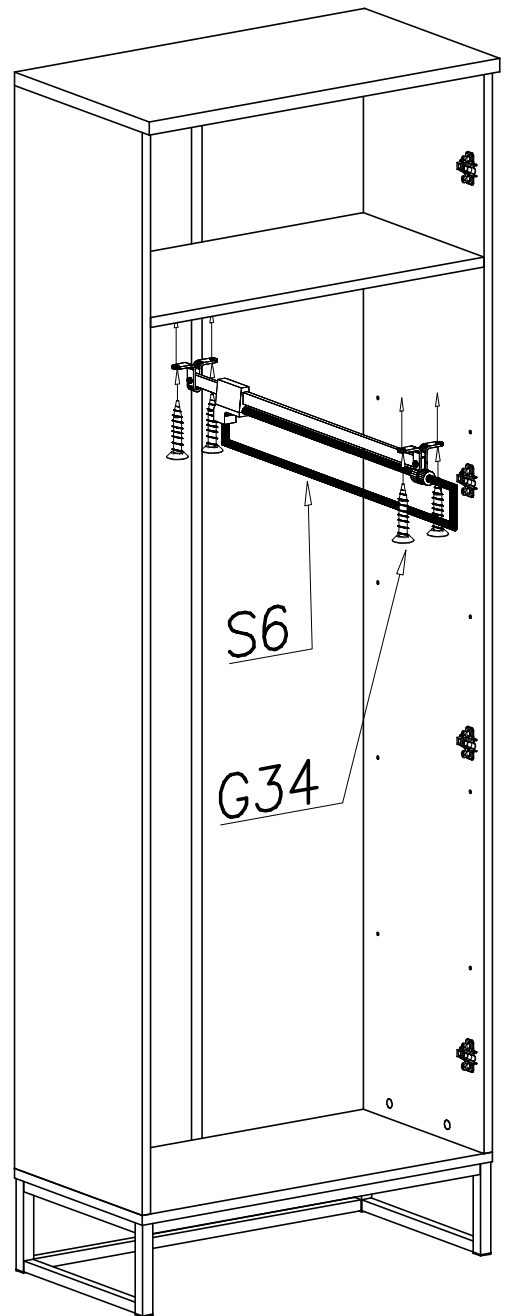
XIII

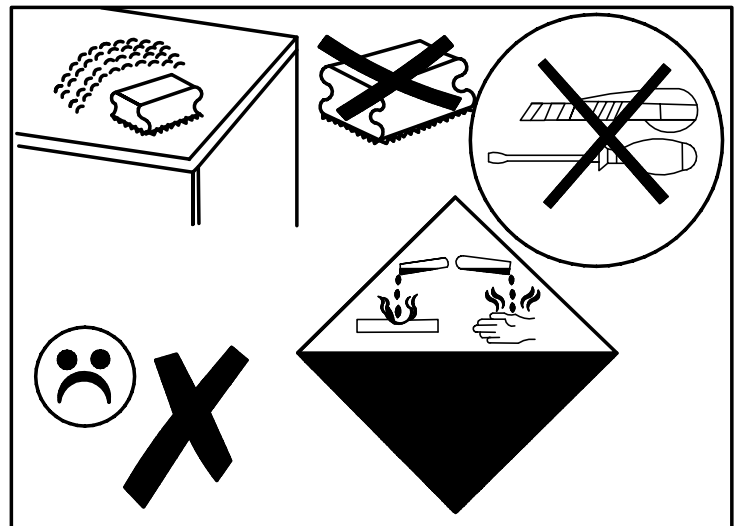
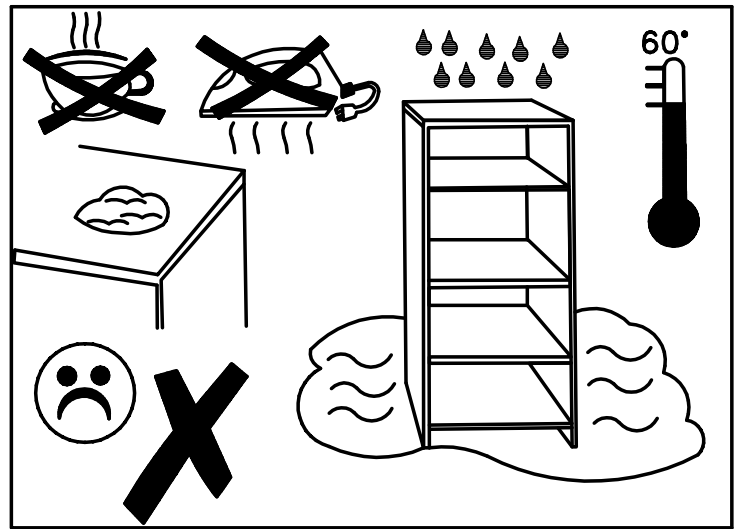
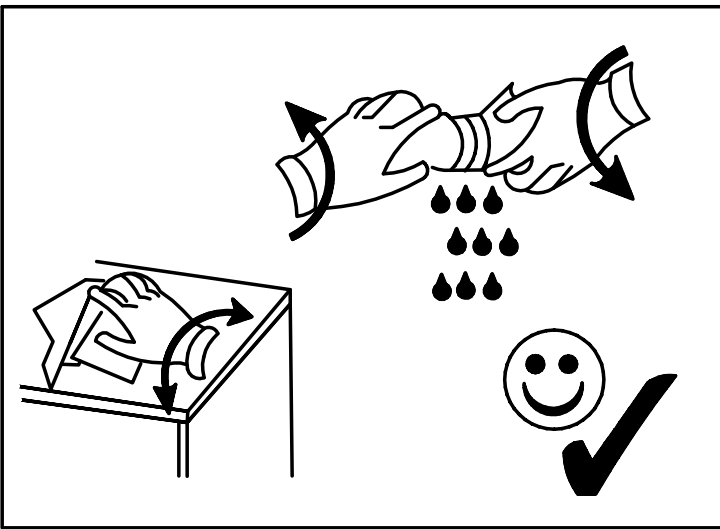
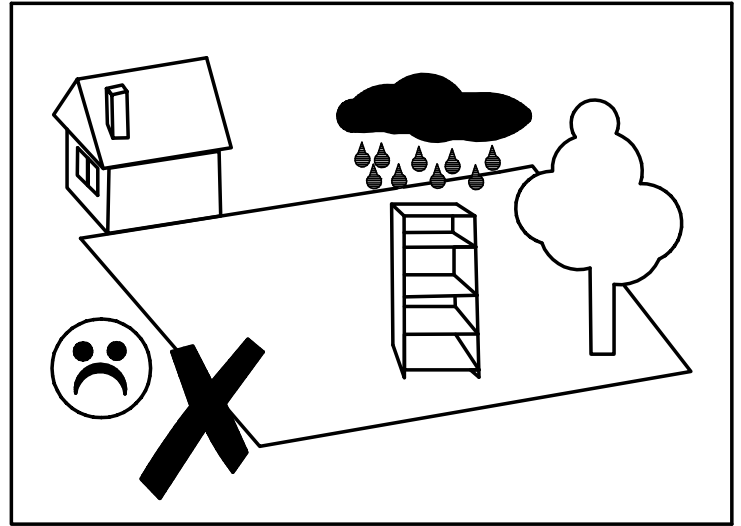
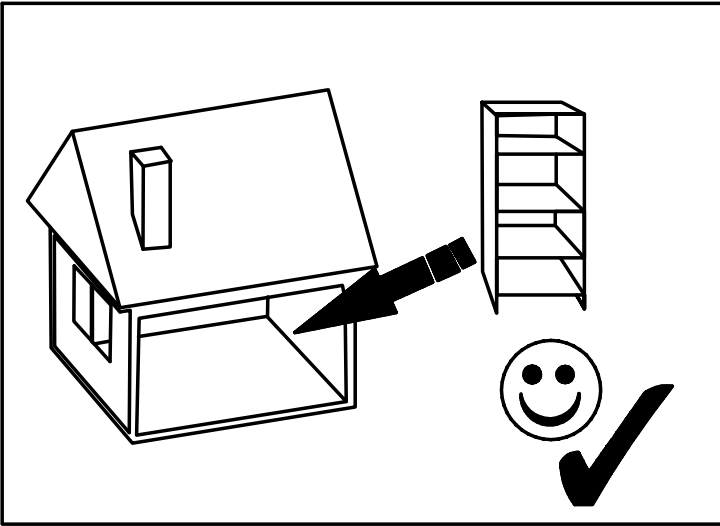
VERSION  
A



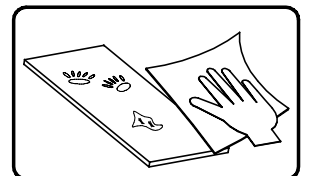
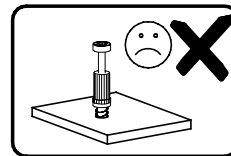
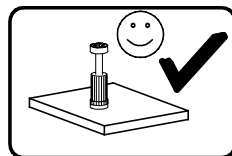
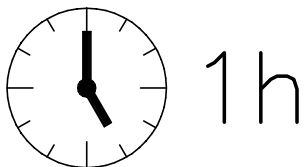
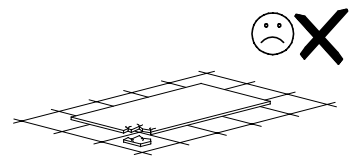
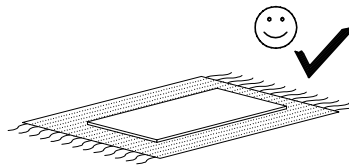
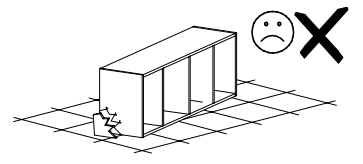
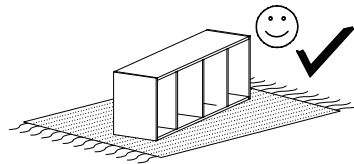
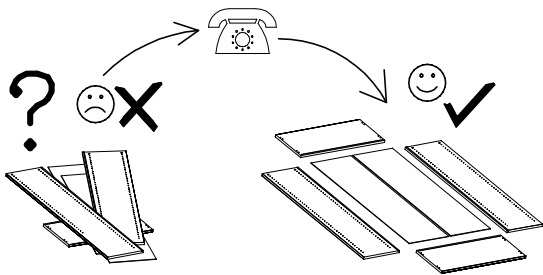
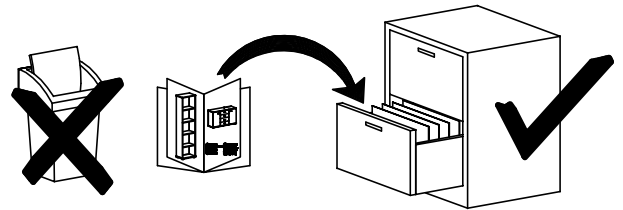
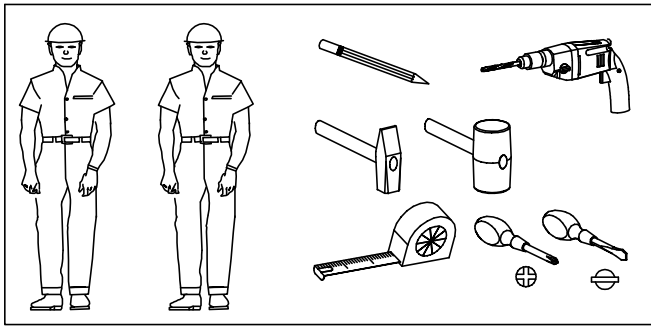
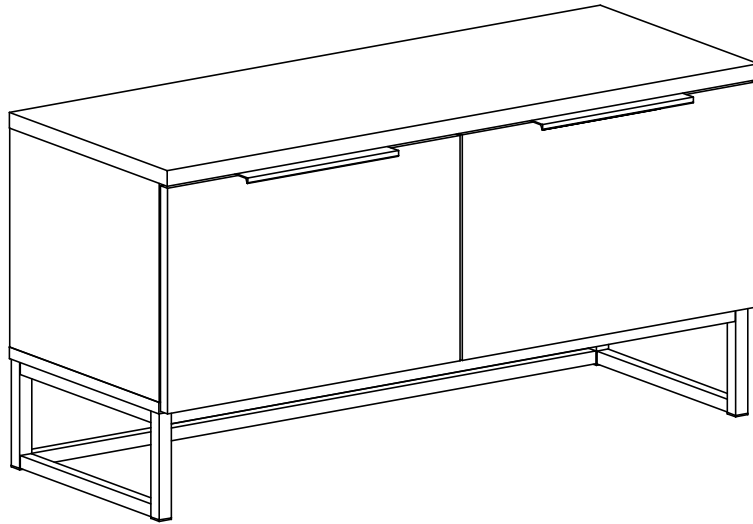
XIII

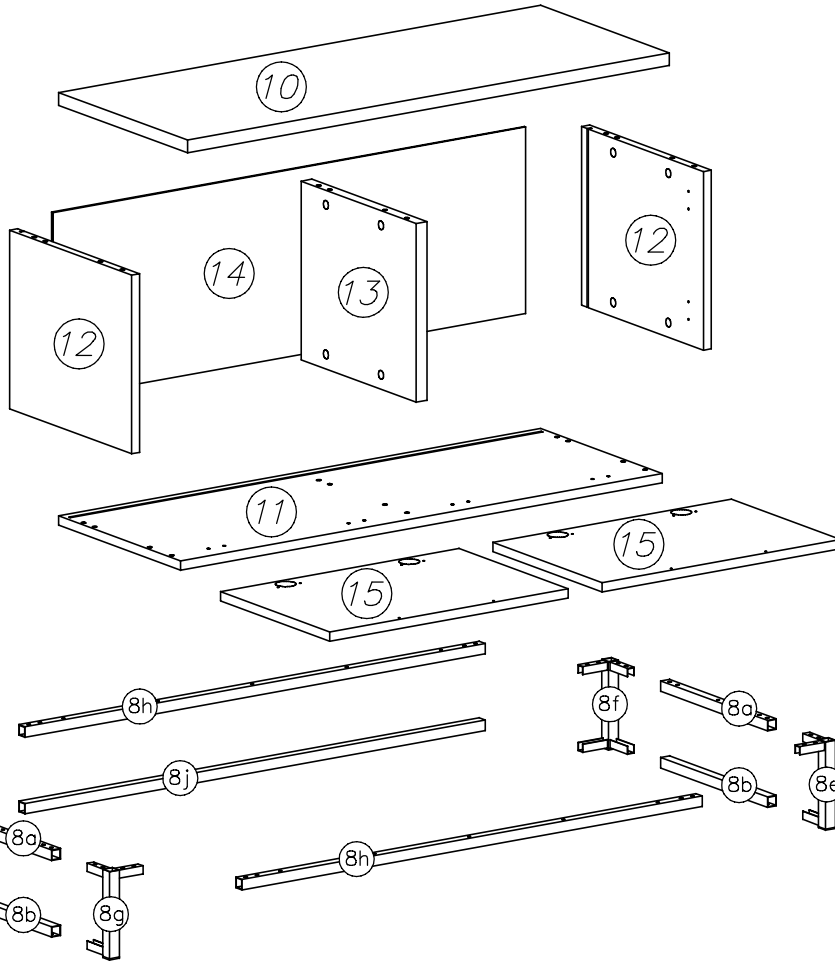
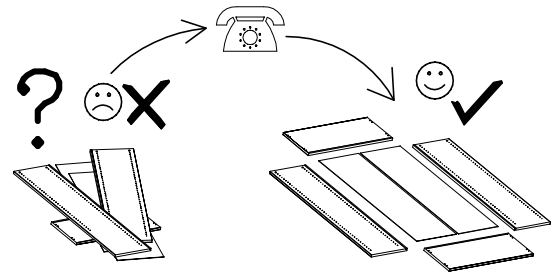
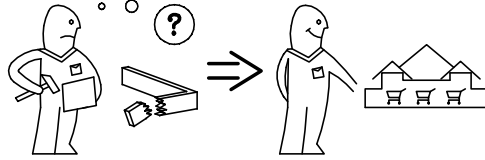
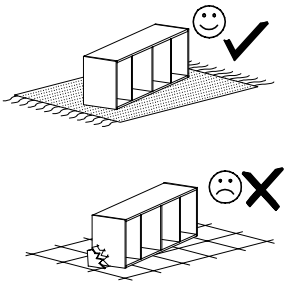
VERSION  
B





# TOP 02 – Garderobenbank

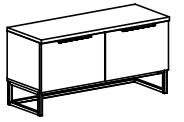




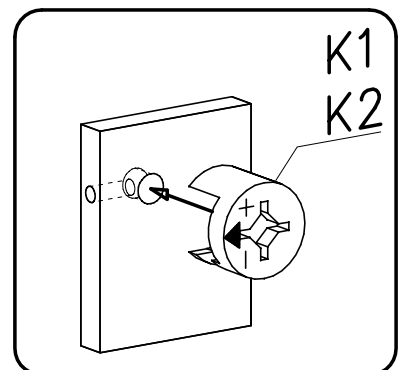
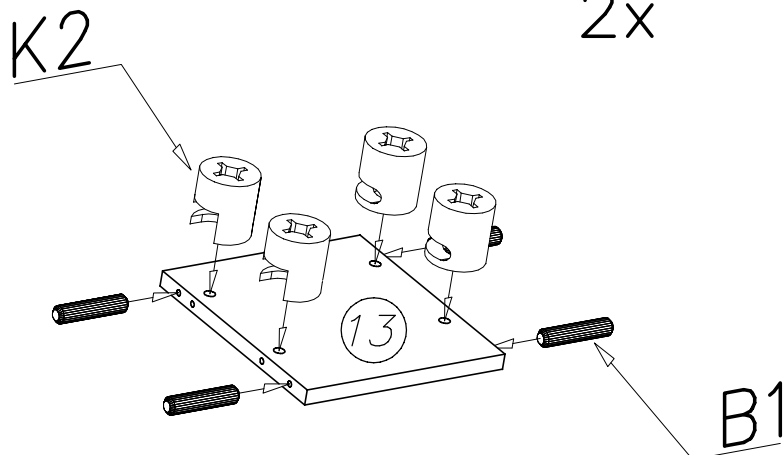
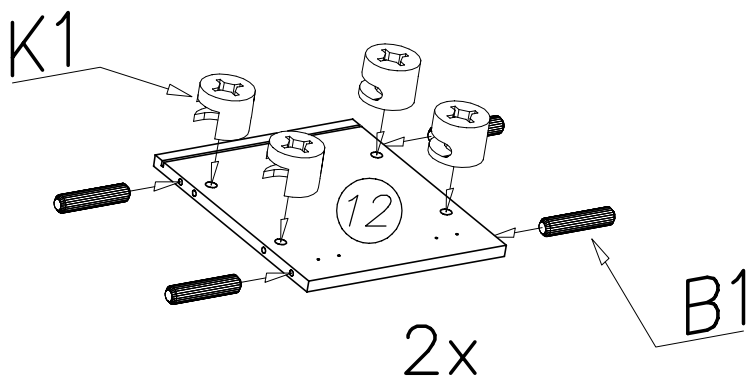
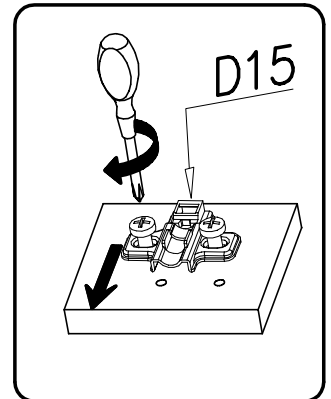
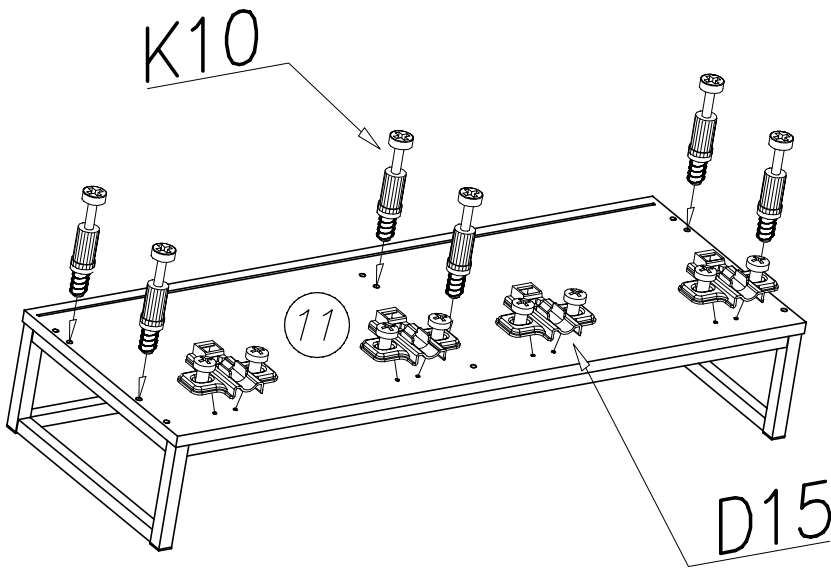
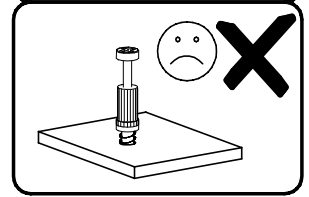
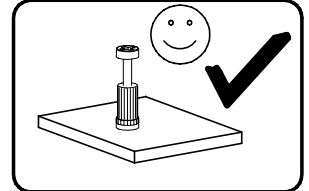
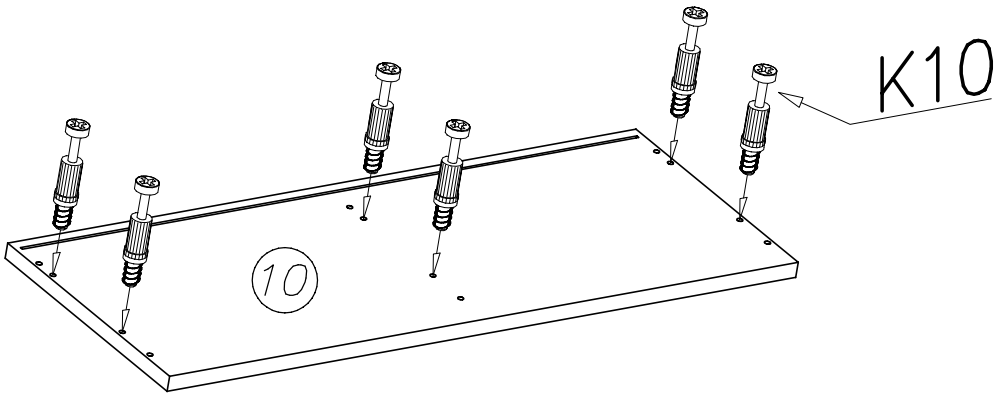
nr	L[mm]	B[mm]	T[mm]	Menge	Colli
10	980	374	22	1	1/2
11	980	354	16	1	1/2
12	308	354	16	2	1/2
13	308	334	16	1	1/2
14	959	320	3	1	1/2
15	485	317	16	2	1/2
8a	314	18	18	2	2/2
8b	314	18	18	2	2/2
8e	150	20	20	1	2/2
8f	150	20	20	2	2/2
8g	150	20	20	1	2/2
8h	938	18	18	2	1/2
8j	938	18	18	1	1/2
BESCHLAGE					1/2

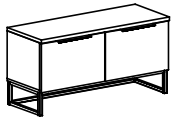
	<b>G8B</b> Black/Schwarz 4x30 x...(12)	<b>N36</b> M5x10 x...(28)	<b>G32</b> 3,5x16 x...(8)	<b>L8</b> 60N x...(2)
<b>K2</b> ø15x16 x...(4)	<b>G28</b> 4x60 x...(1)	<b>M11</b> x...(1)	<b>E96</b> 224mm x...(2)	
<b>K1</b> ø15x12 x...(8)	<b>U6</b> ø8x40 x...(1)	<b>I7</b> x...(12)	<b>I1</b> x...(6)	<b>G34</b> 3,5x16 x...(13)
<b>K10</b> x...(12)	<b>B1</b> ø8x35 x...(12)	<b>C15</b> Z35CL x...(4)	<b>D15</b> PZ35CL x...(4)	<b>G34B</b> Black/Schwarz 3,5x16 x...(4)



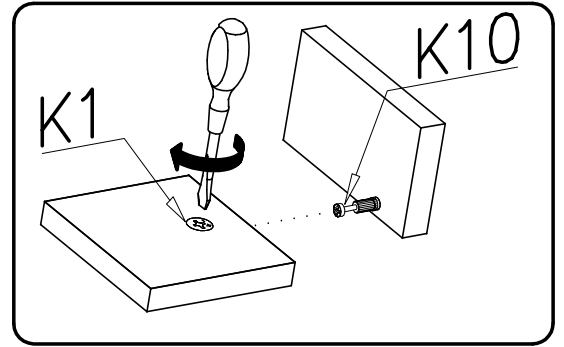
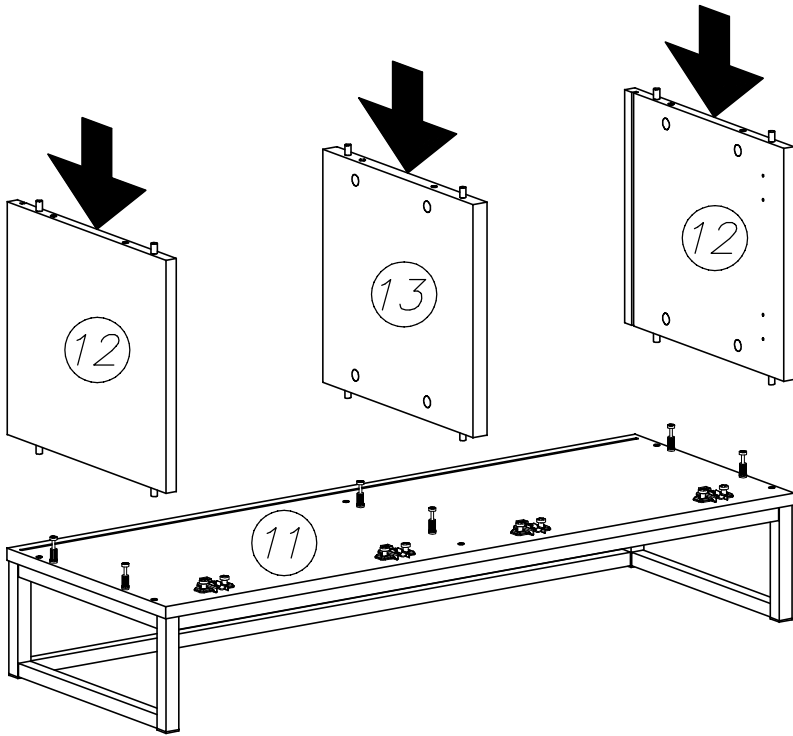


## IV

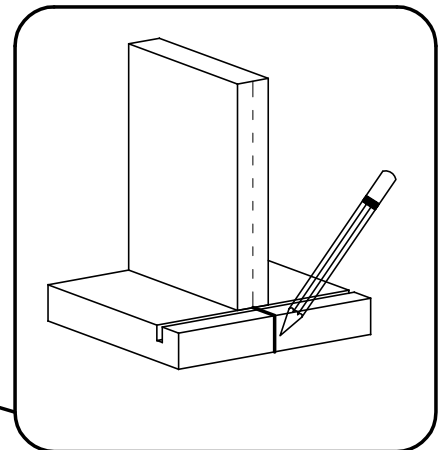
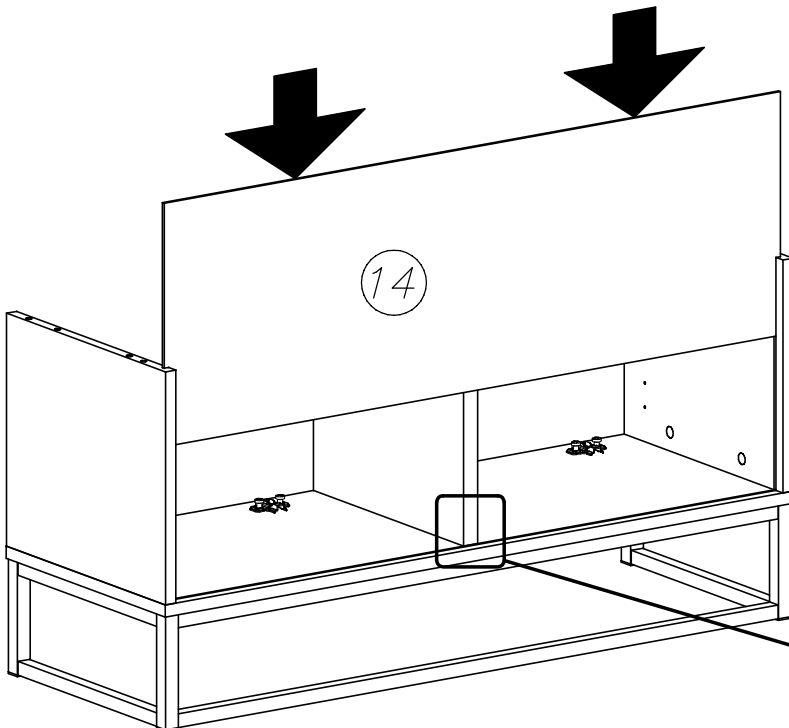


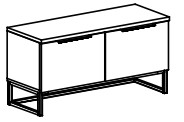


V

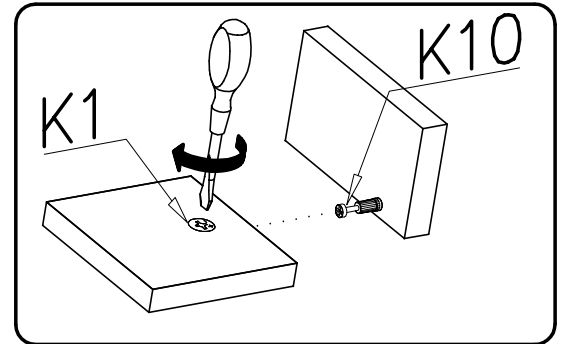
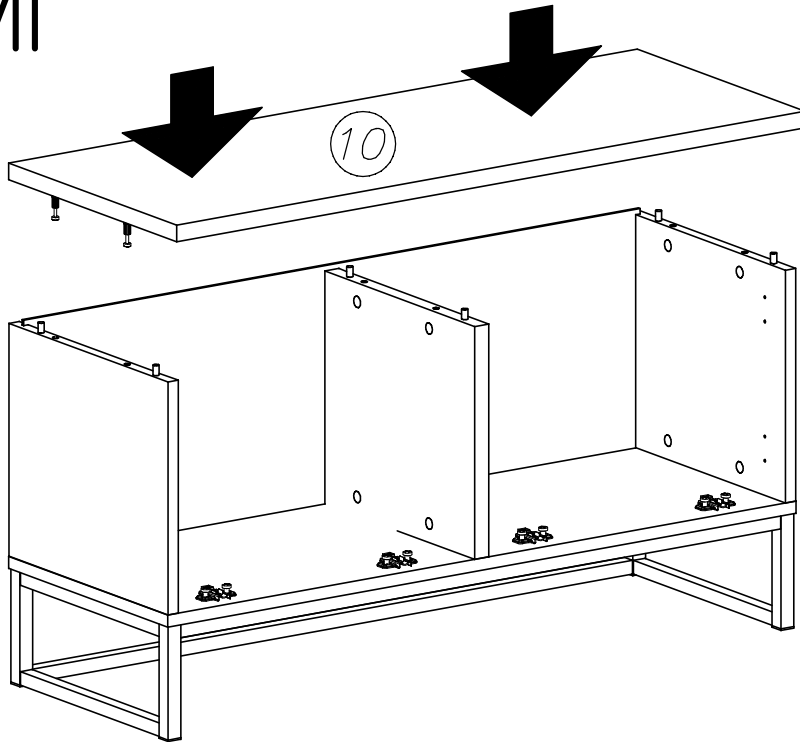


VI

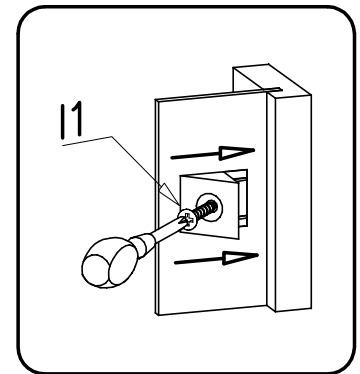
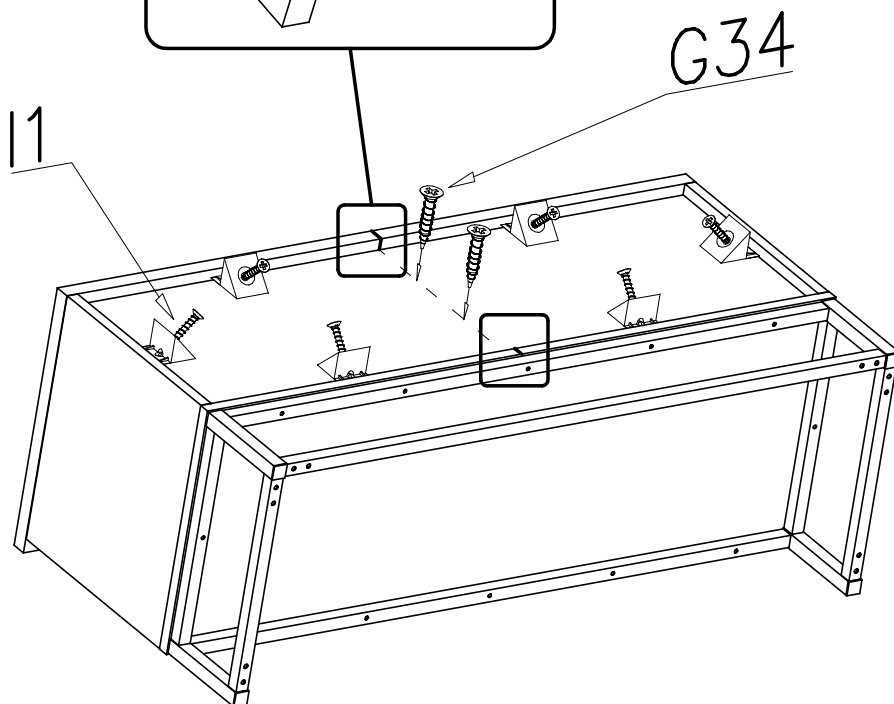
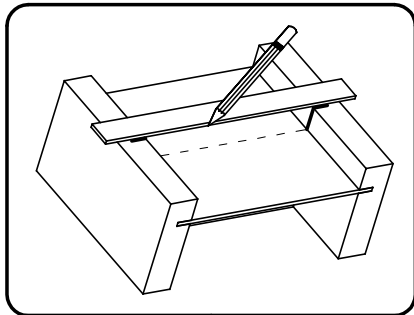
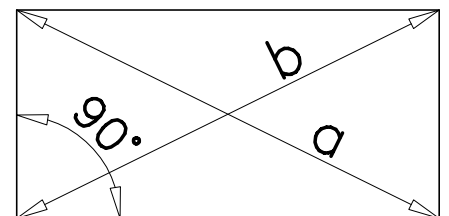


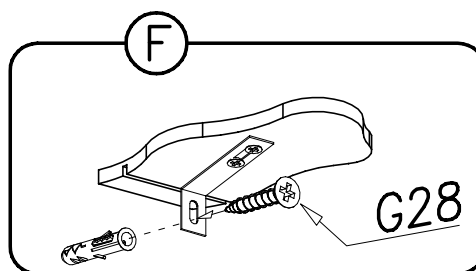
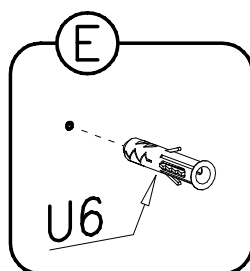
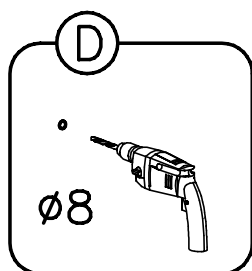
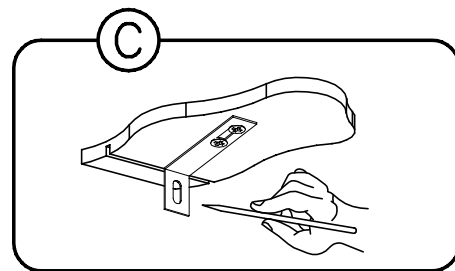
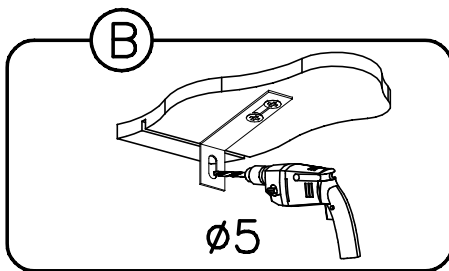
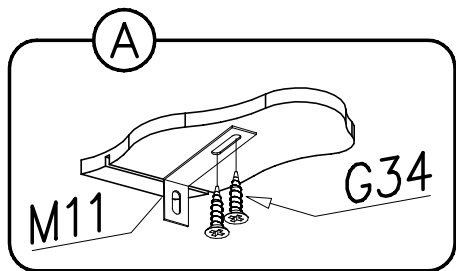
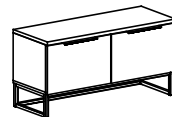


VII

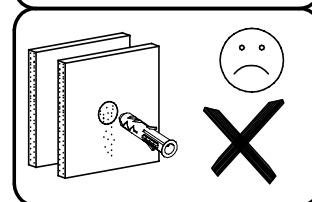
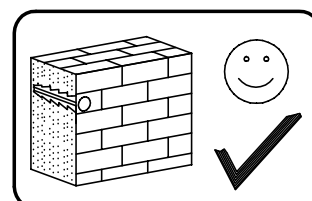
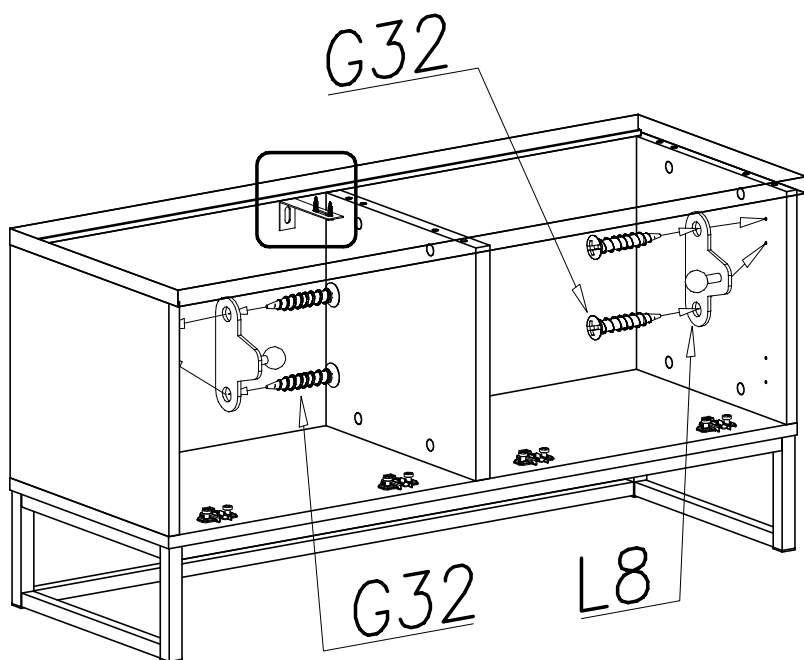


VIII

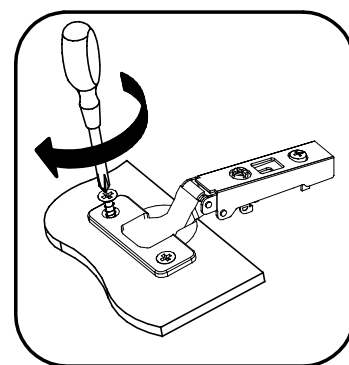
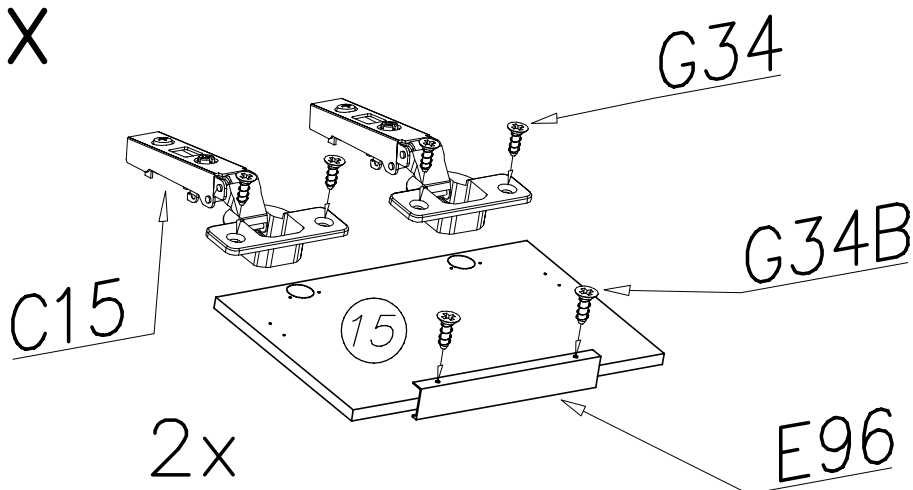

 $a = b$ 


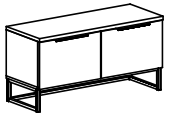


## IX

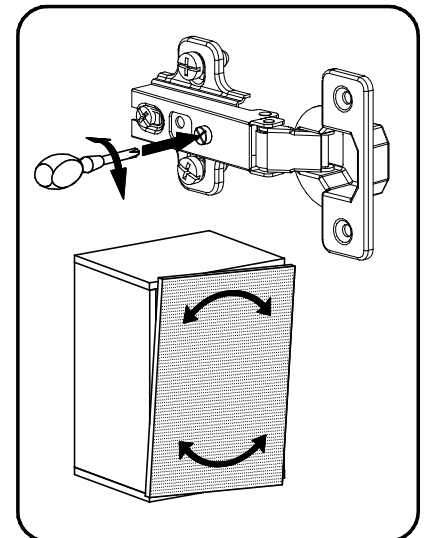
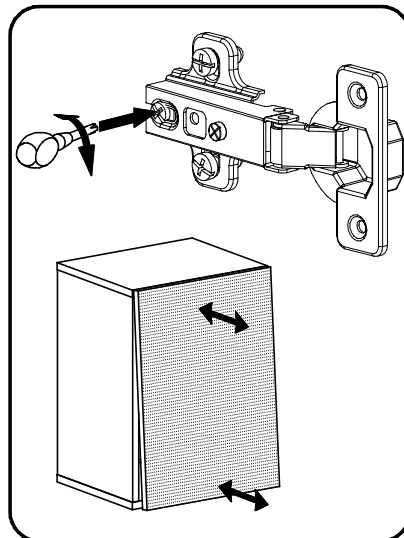
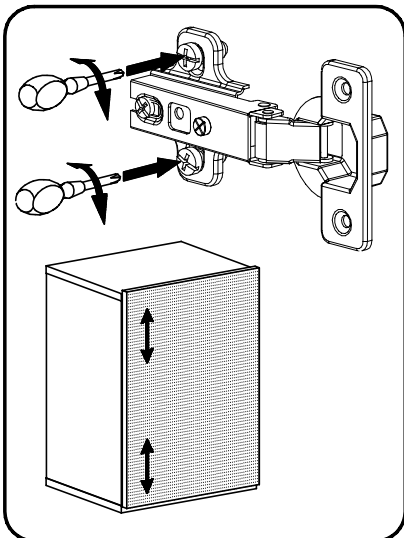
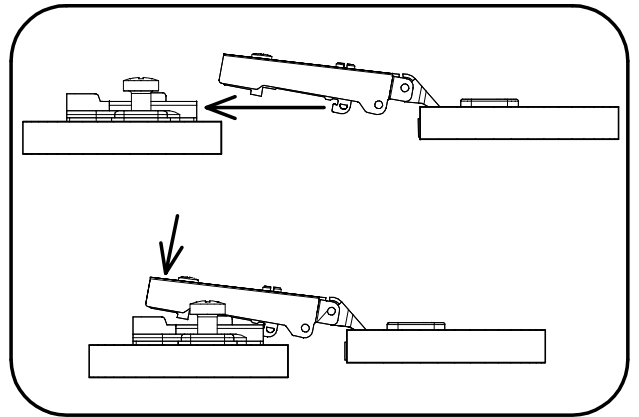
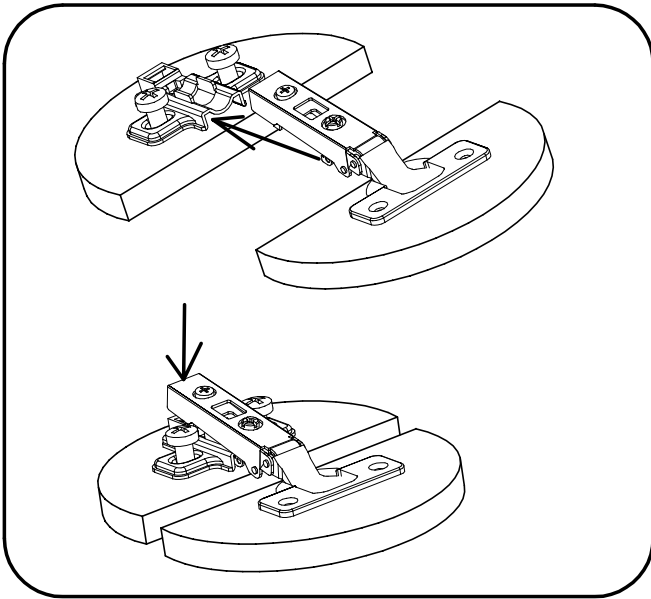
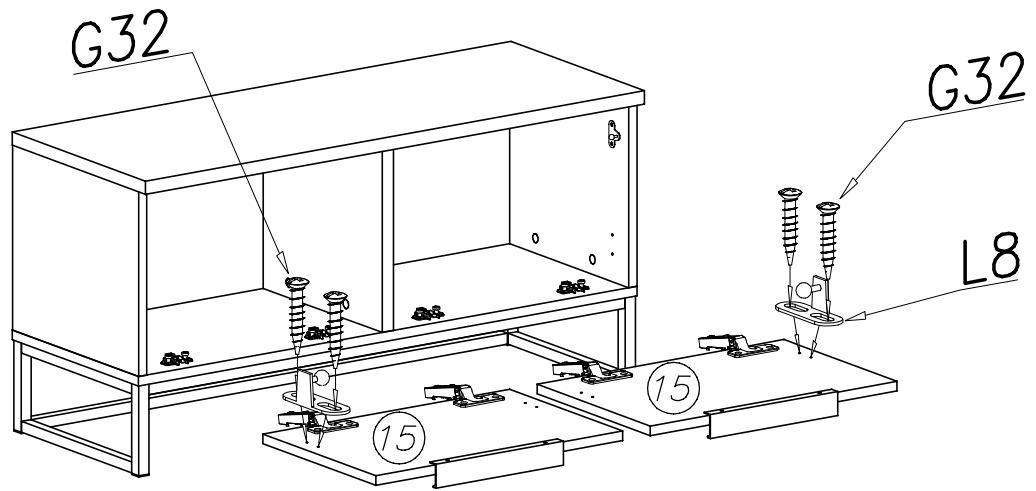


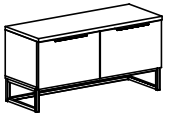
## X



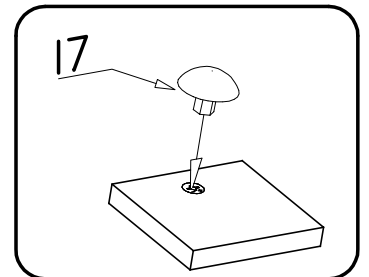
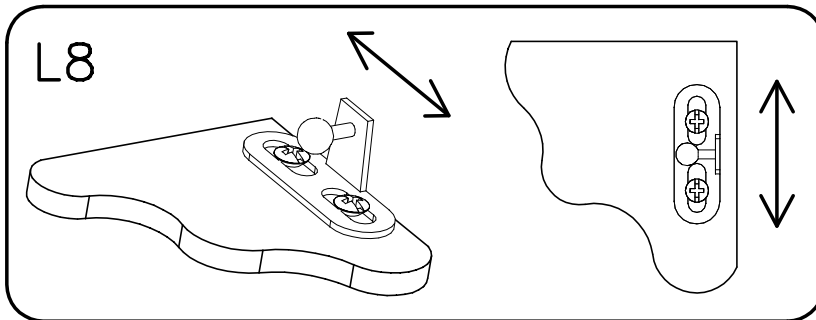
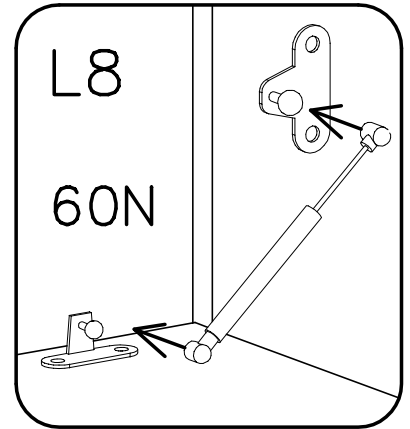
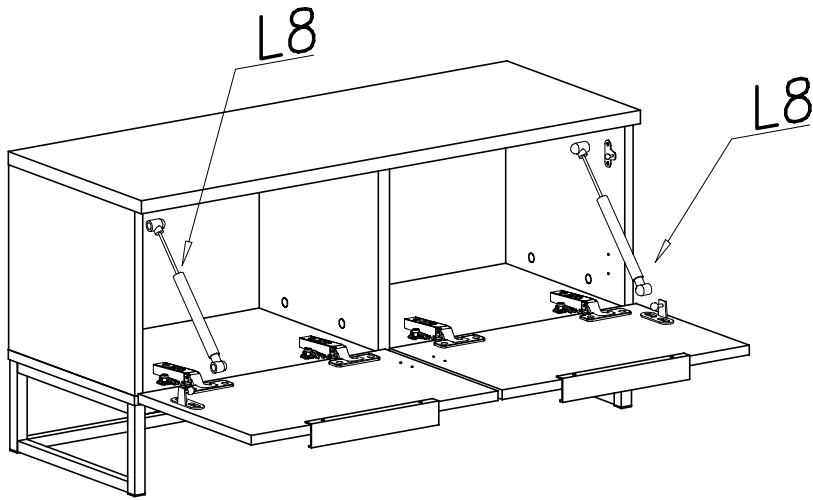


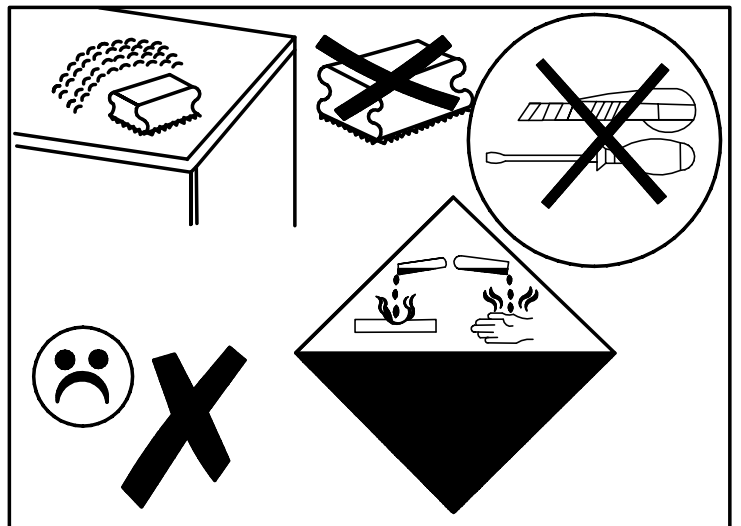
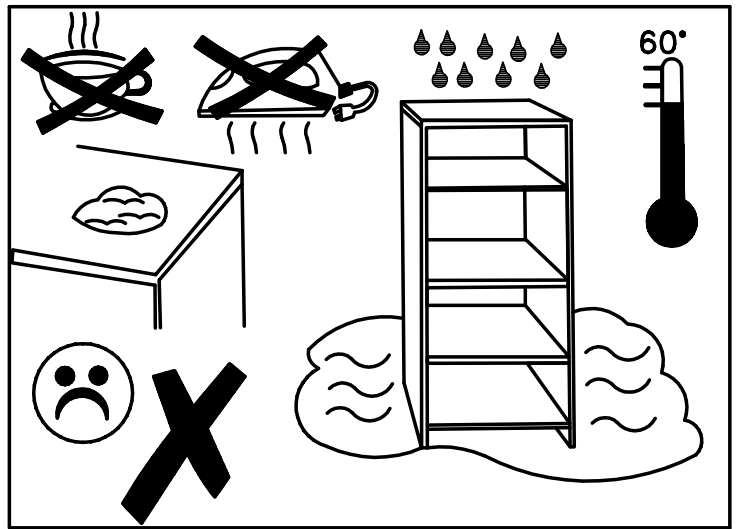
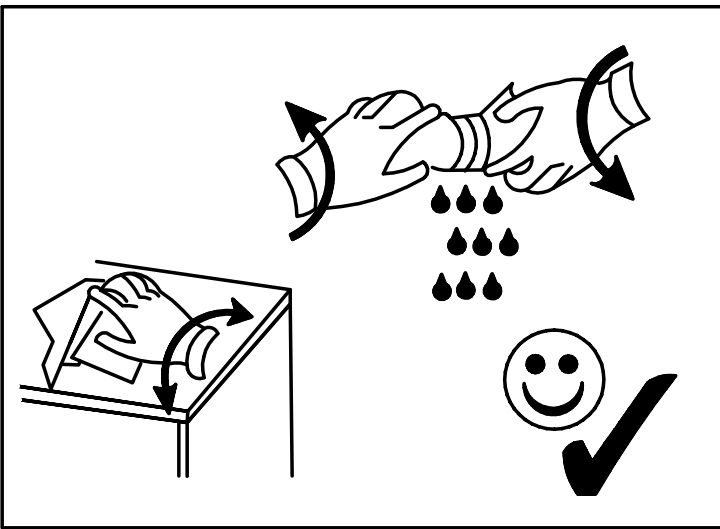
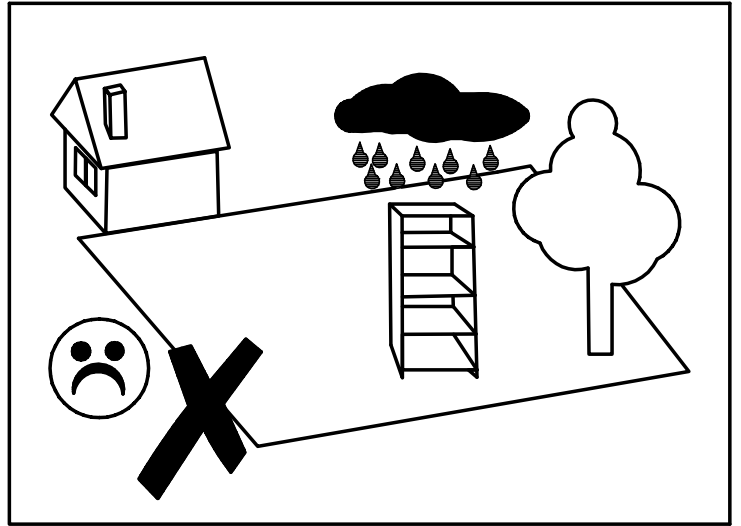
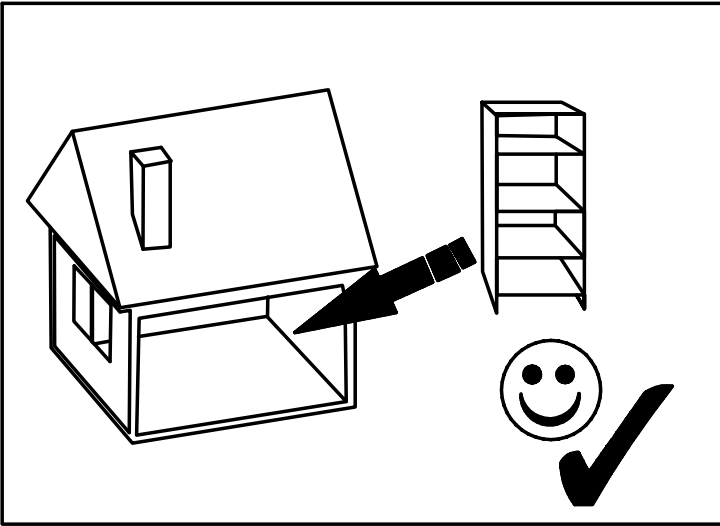
XI



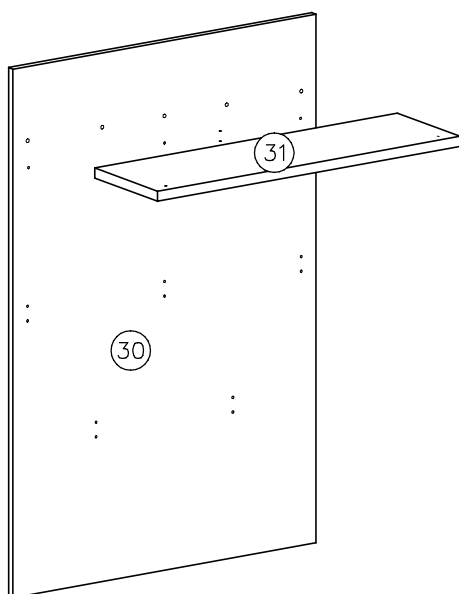
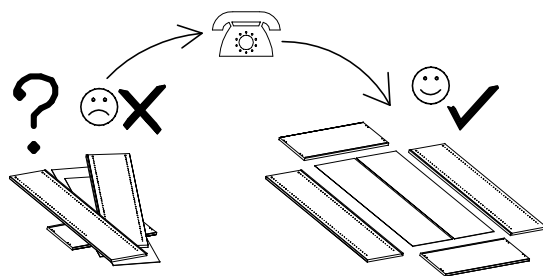
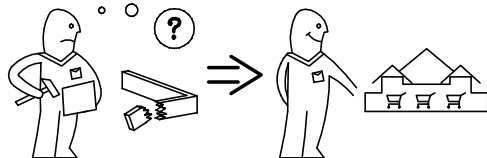
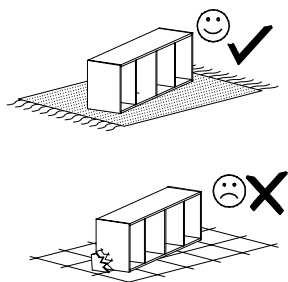






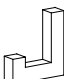
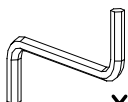



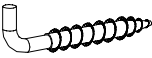
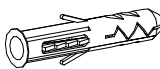


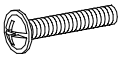
XII

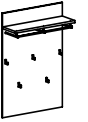




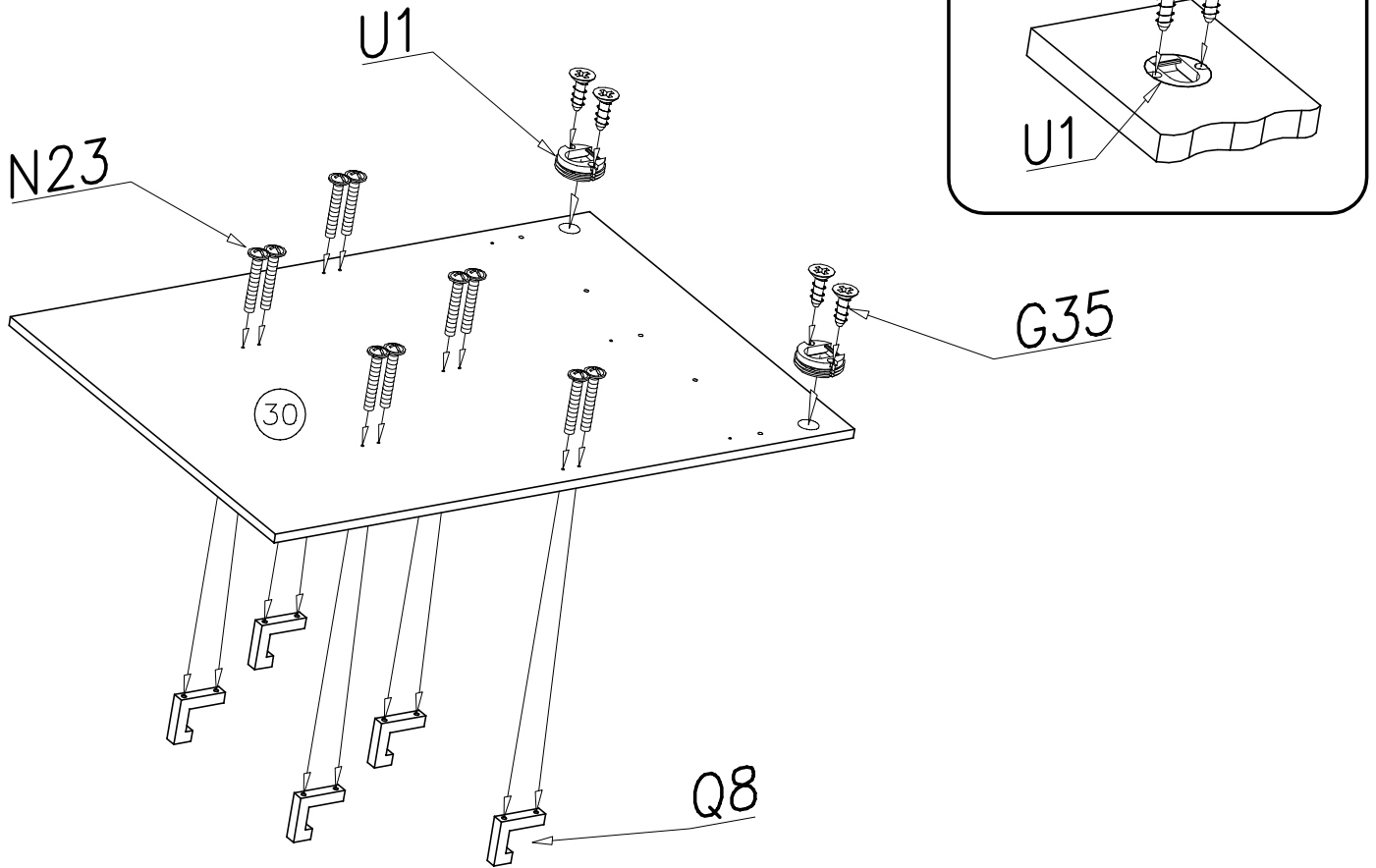




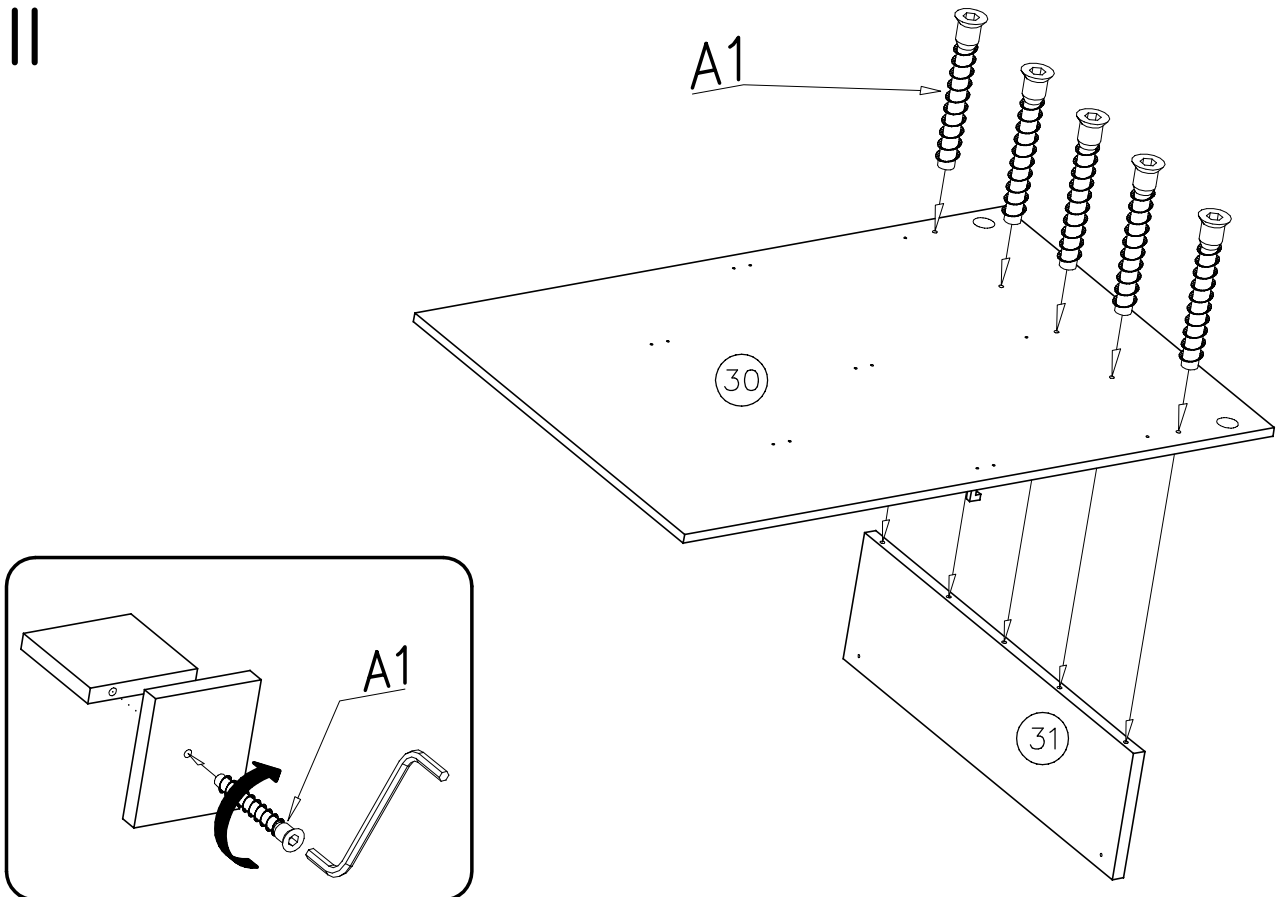
	<b>A1</b>  ø7x50 x...(5)	<b>Q6M</b>  x...(1)	<b>Q6L</b>  x...(1)	<b>Q6R</b>  x...(1)
<b>Q8</b>  x...(5)	<b>W2</b>  x...(1)	<b>G35</b>  6x9 x...(4)	<b>U1</b>  x...(2)	<b>Q7</b>  365mm x...(2)
<b>U7</b>  x...(2)	<b>U8</b>  ø10x60 x...(2)	<b>N44</b>  M4x30 x...(3)	<b>N23</b>  M4x20 x...(10)	<b>N15</b>  M4x25 x...(3)

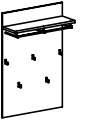


I

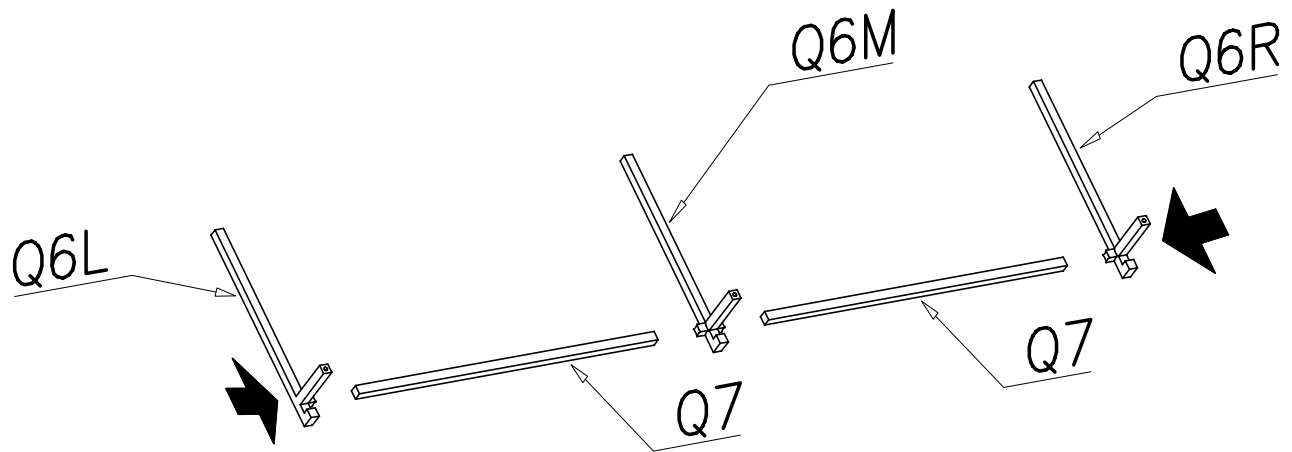


II

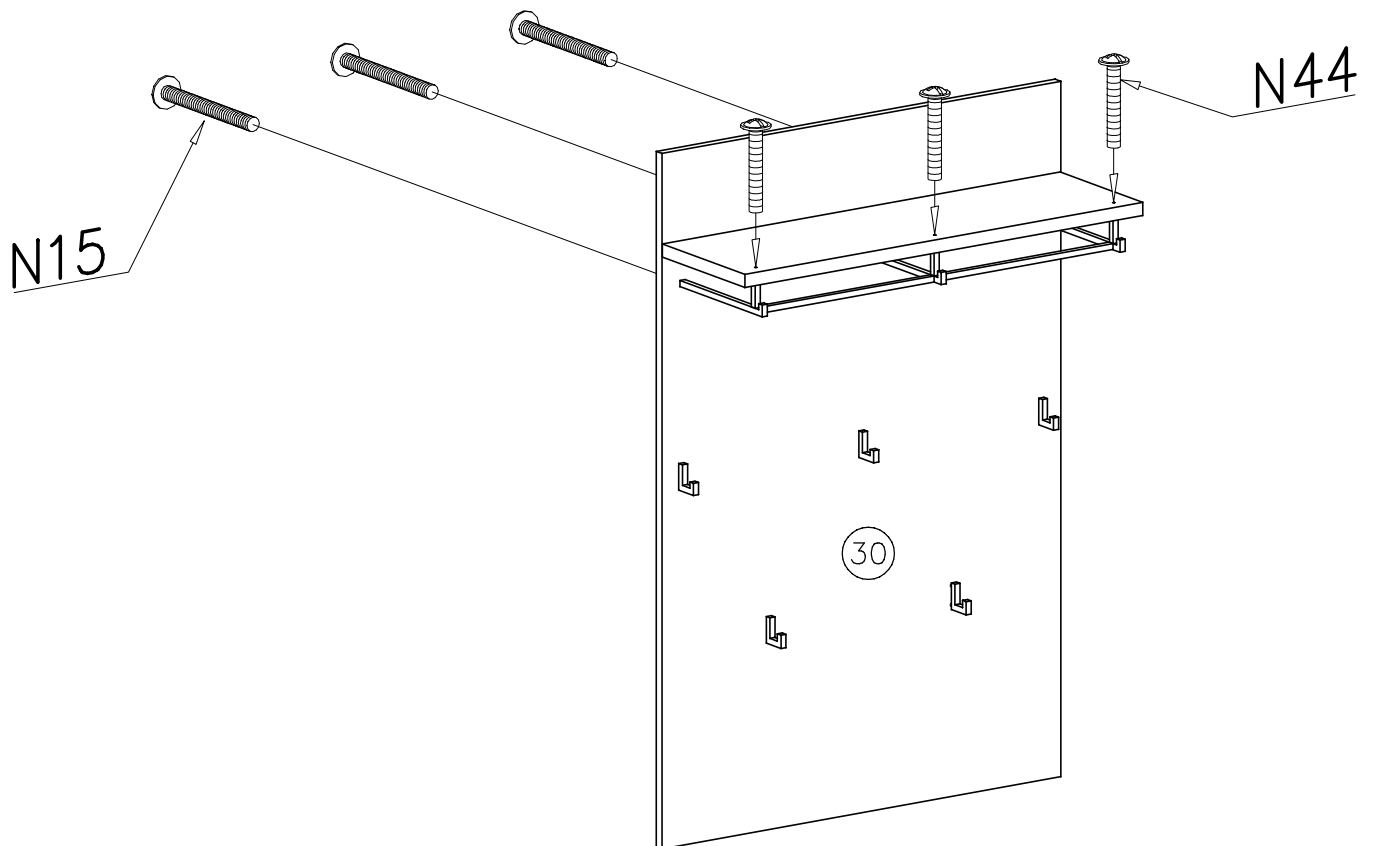


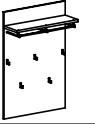


III

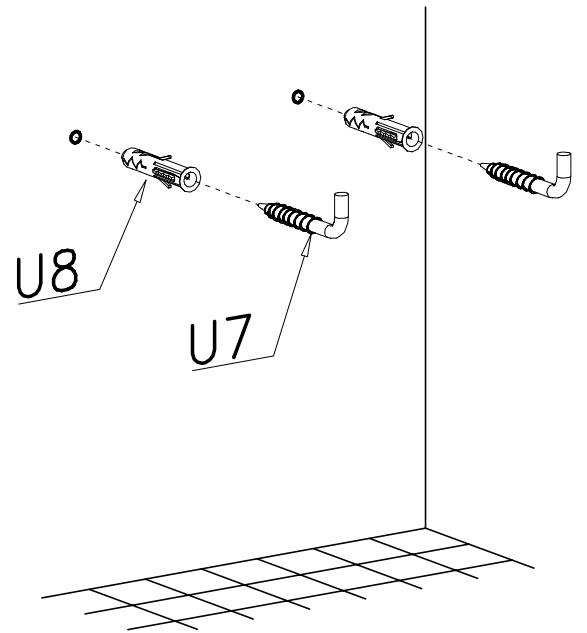
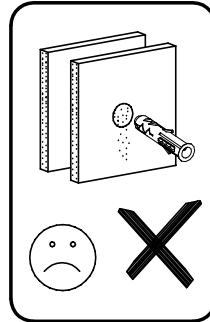
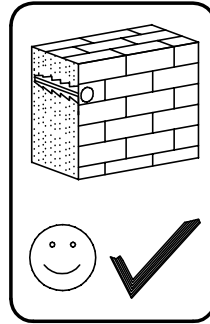
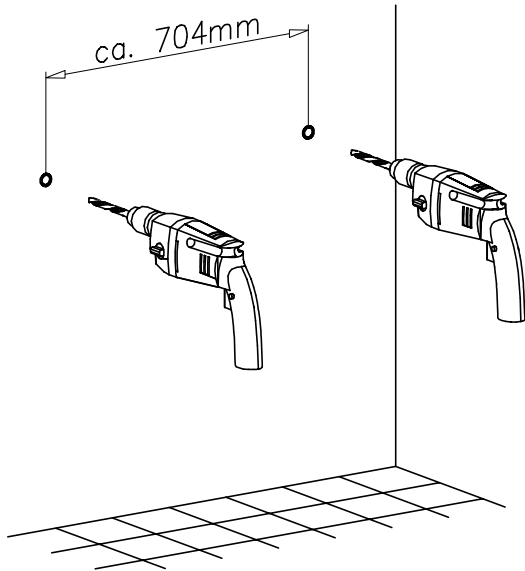


IV





V



VI

