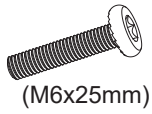


Hardware

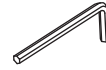
Take it out from the bottom of the seat



H1
4x

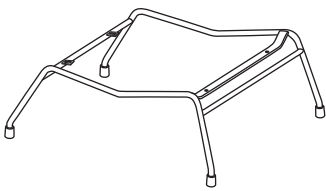
Tools Required

Power tools NOT recommended

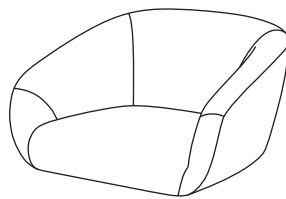


T1
1x

Components



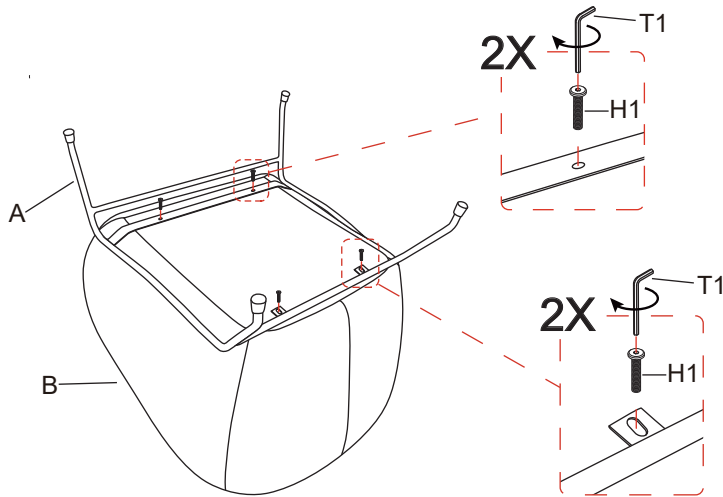
A
1x



B
1x

Assembly

- 1 Attach the Metal Frame (A) to the Seat Cushion (B) with Bolts (H1x4) and Allen Wrench (T1).



- 2 Fully tighten all bolts. Then flip the chair over.

