

Lift Top Coffee Table

Instruction Manual

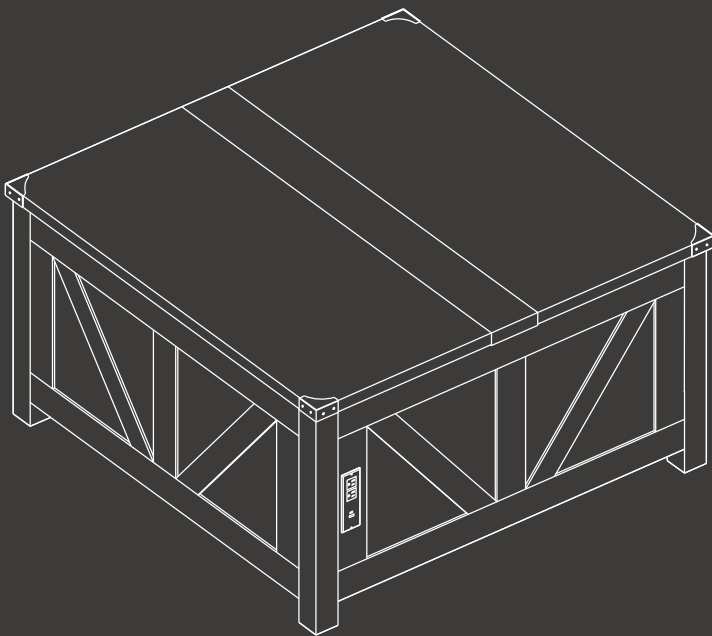
Mesa de café elevable

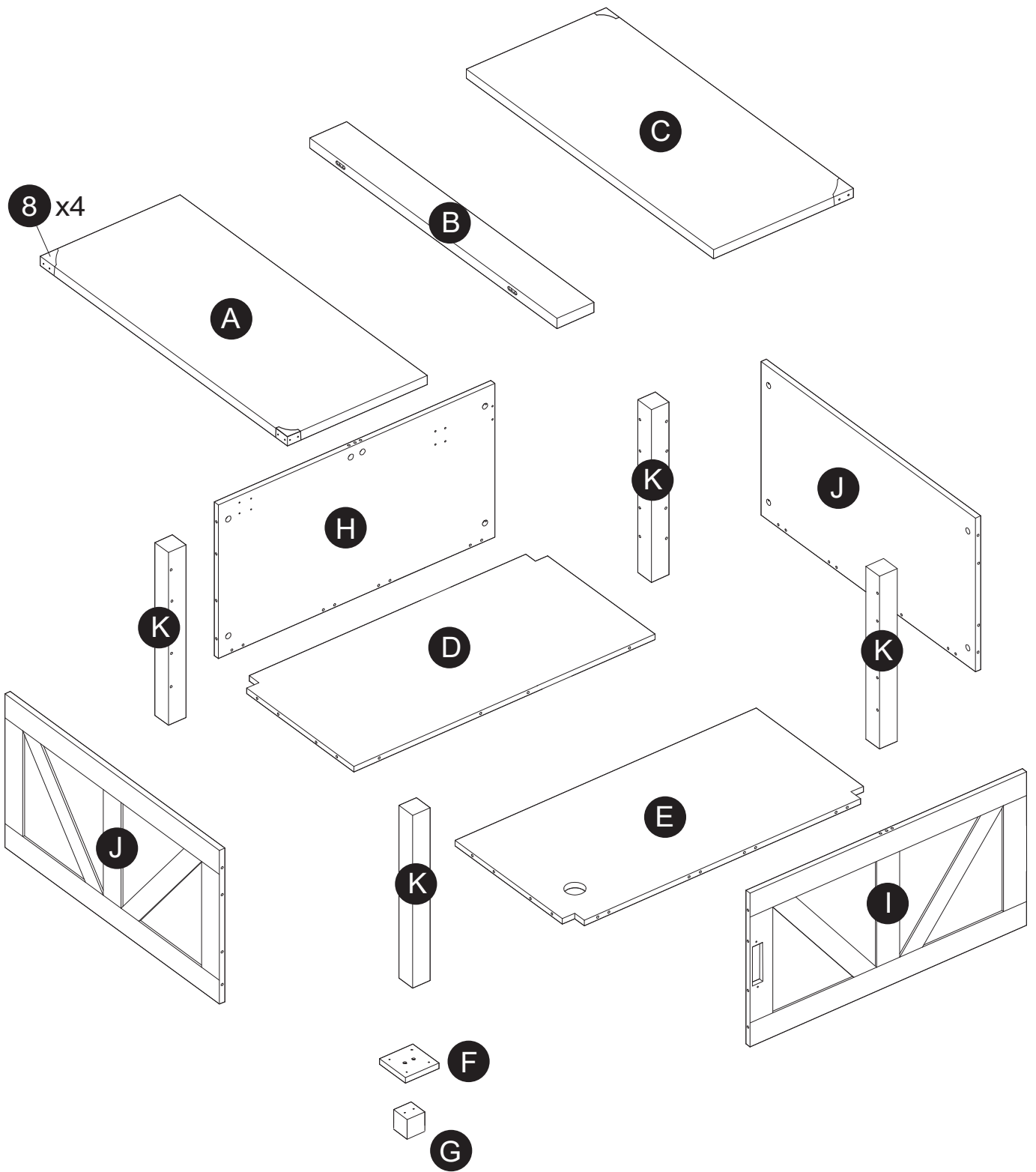
Manual de instrucciones

Table de salon à plateau

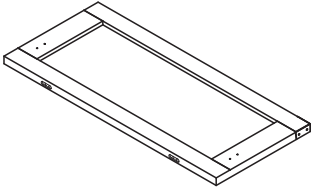
relevable

Manuel d'Instruction

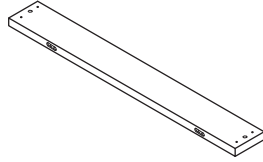




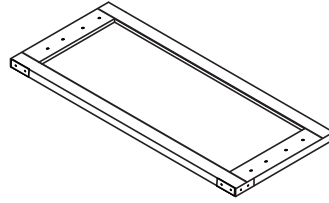
A X1



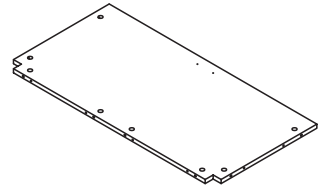
B X1



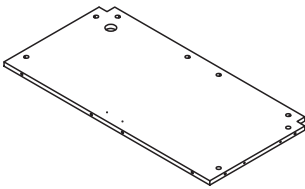
C X1



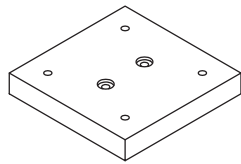
D X1



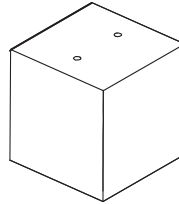
E X1



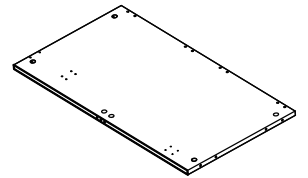
F X1



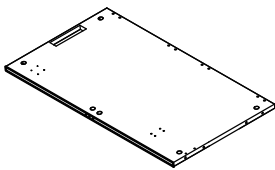
G X1



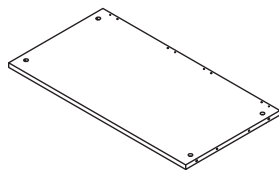
H X1



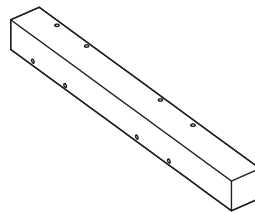
I X1



J X2



K X4



1 X36



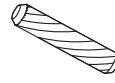
Ø6X35mm

2 X36



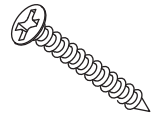
Ø15X9.5 mm

3 X38



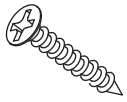
Ø8X30mm

4 X2



Ø4X35mm

5 X4



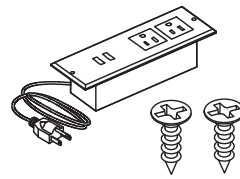
Ø4X20mm

6 X4



Ø35X2mm

7 X1



Ø3.5X12mm

8 X4

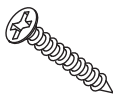


9 X48



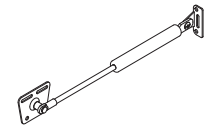
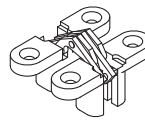
Ø3.5X14mm

10 X8



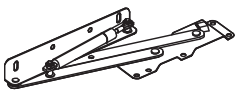
Ø3 X 20mm

11 X2

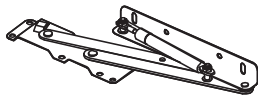


12 X2

13 X1



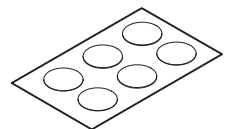
14 X1



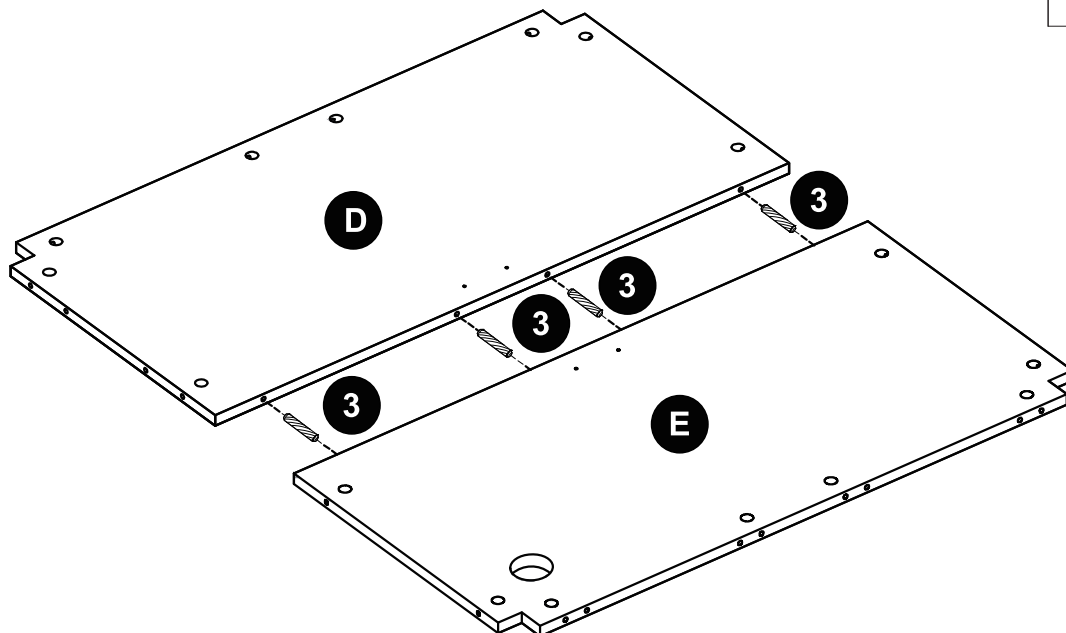
15 X1



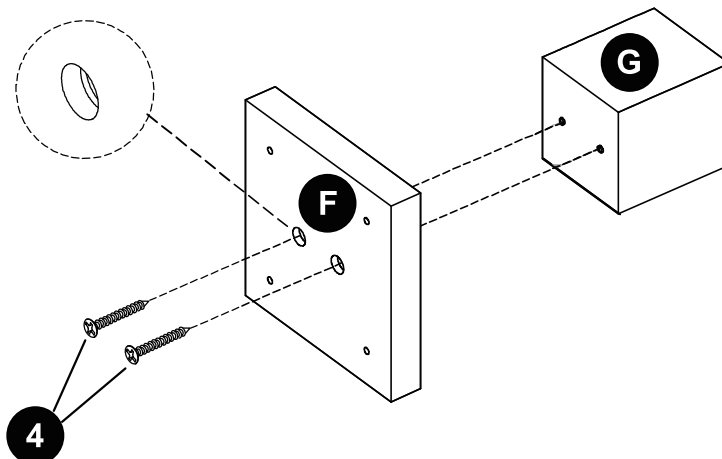
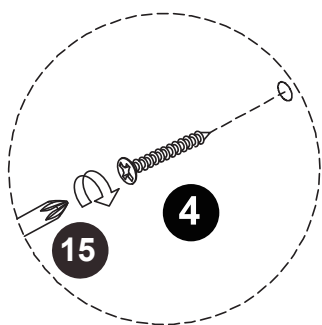
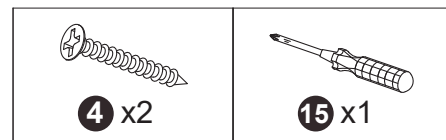
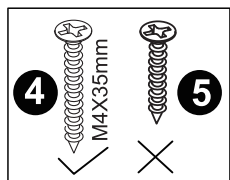
16 X6



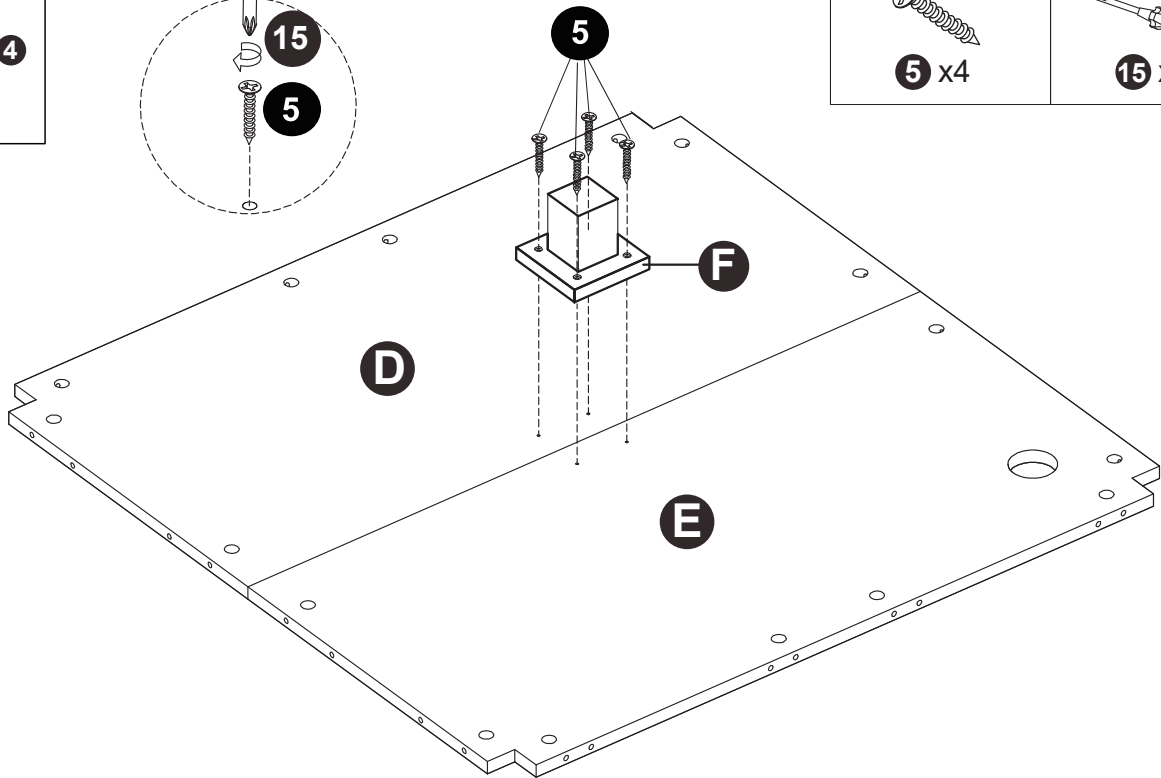
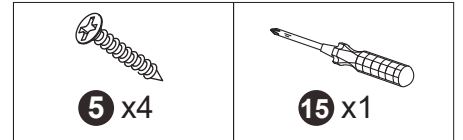
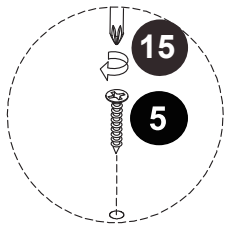
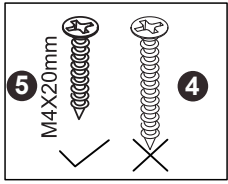
Step 1



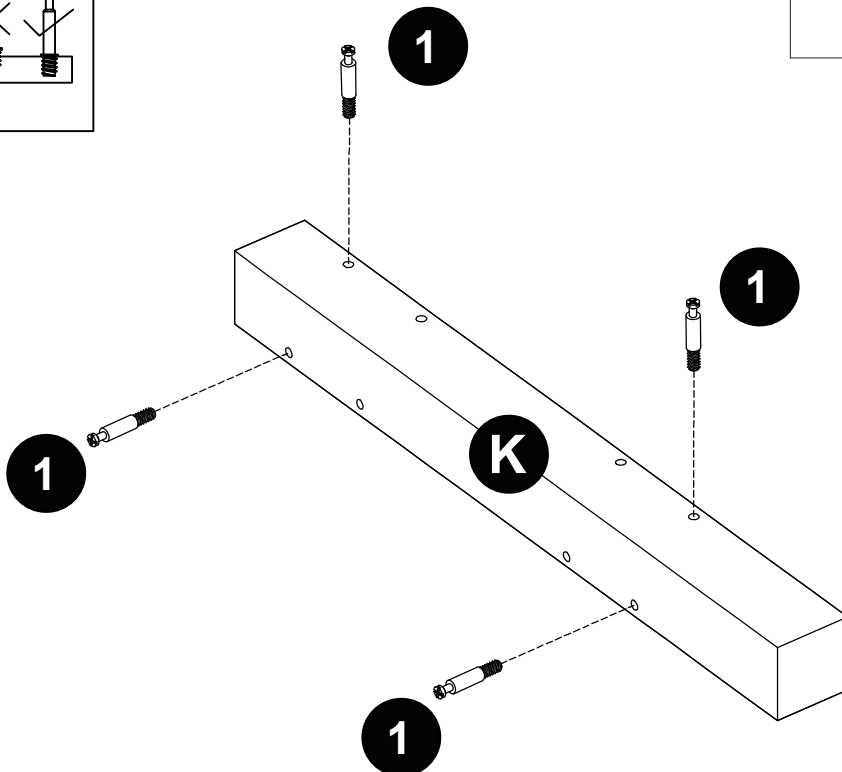
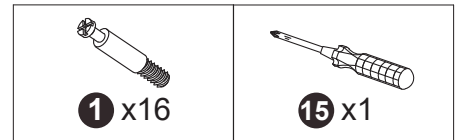
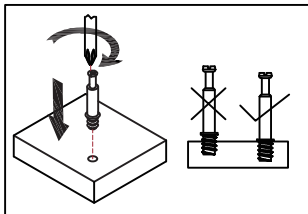
Step 2



Step 3

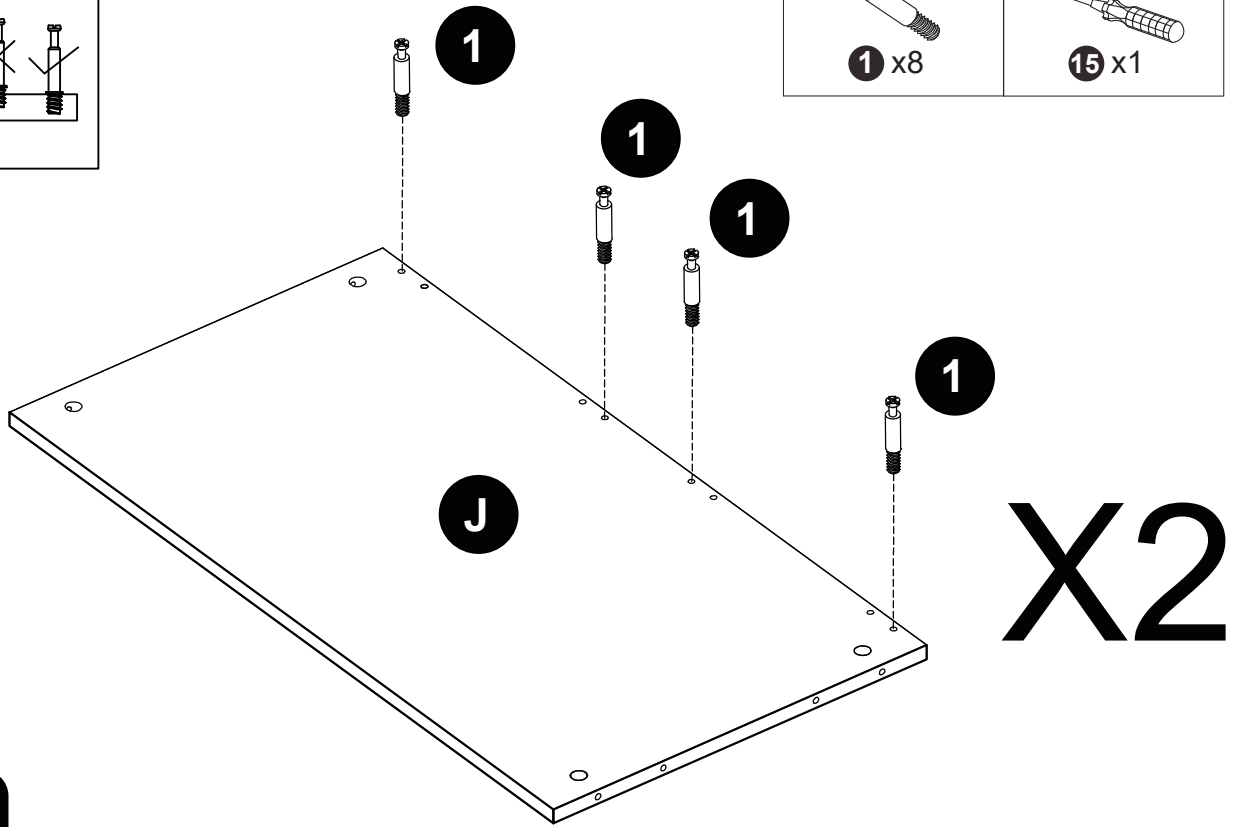
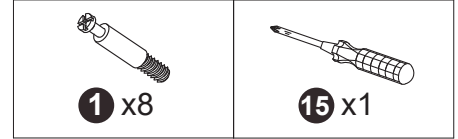
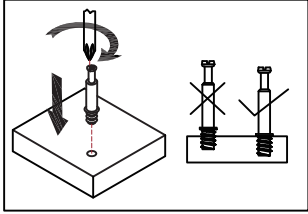


Step 4

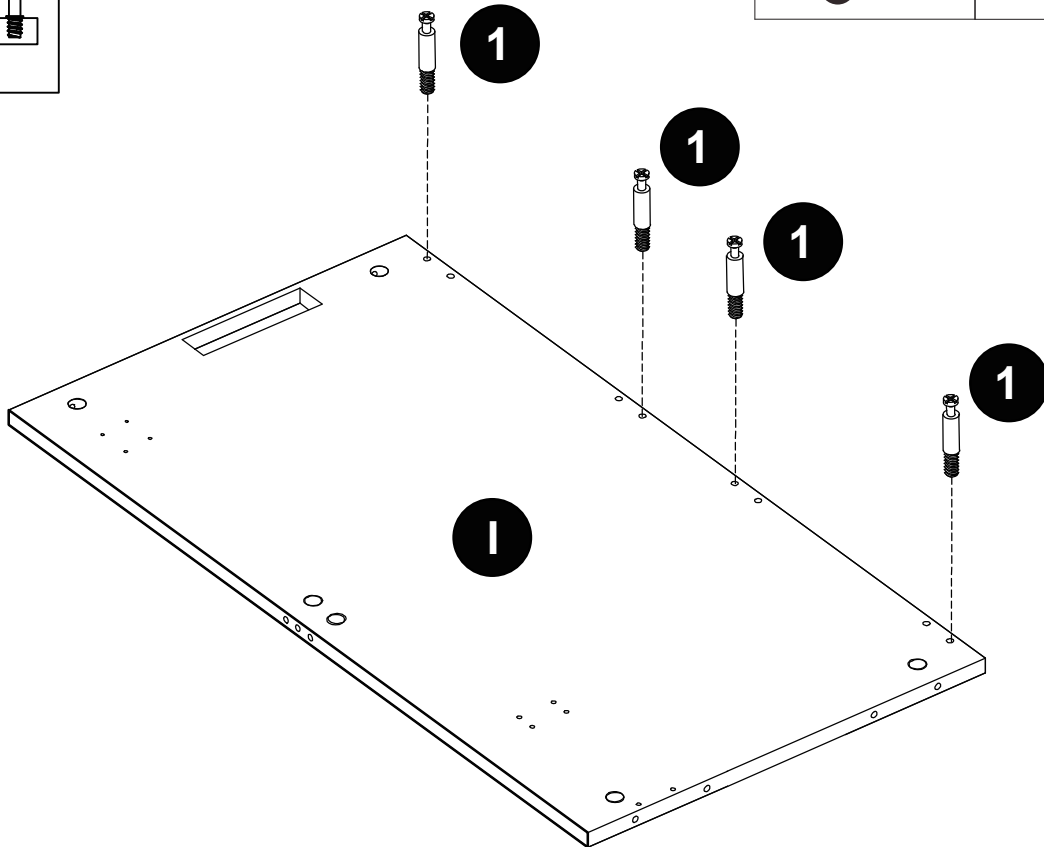
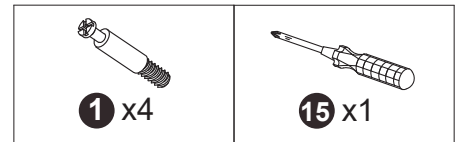
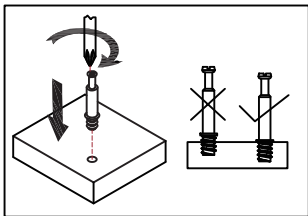


X4

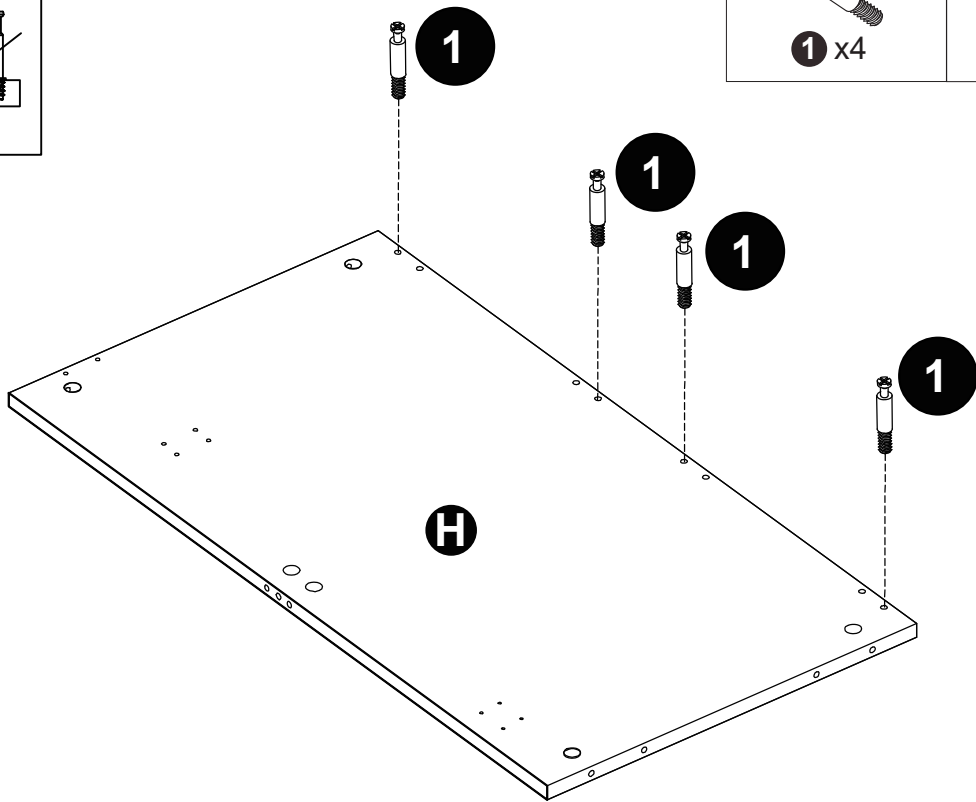
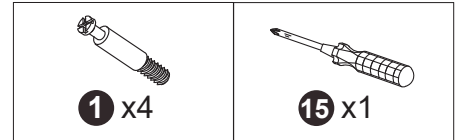
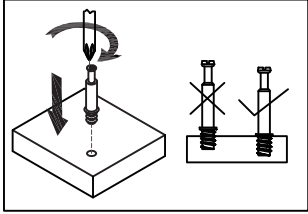
Step 5



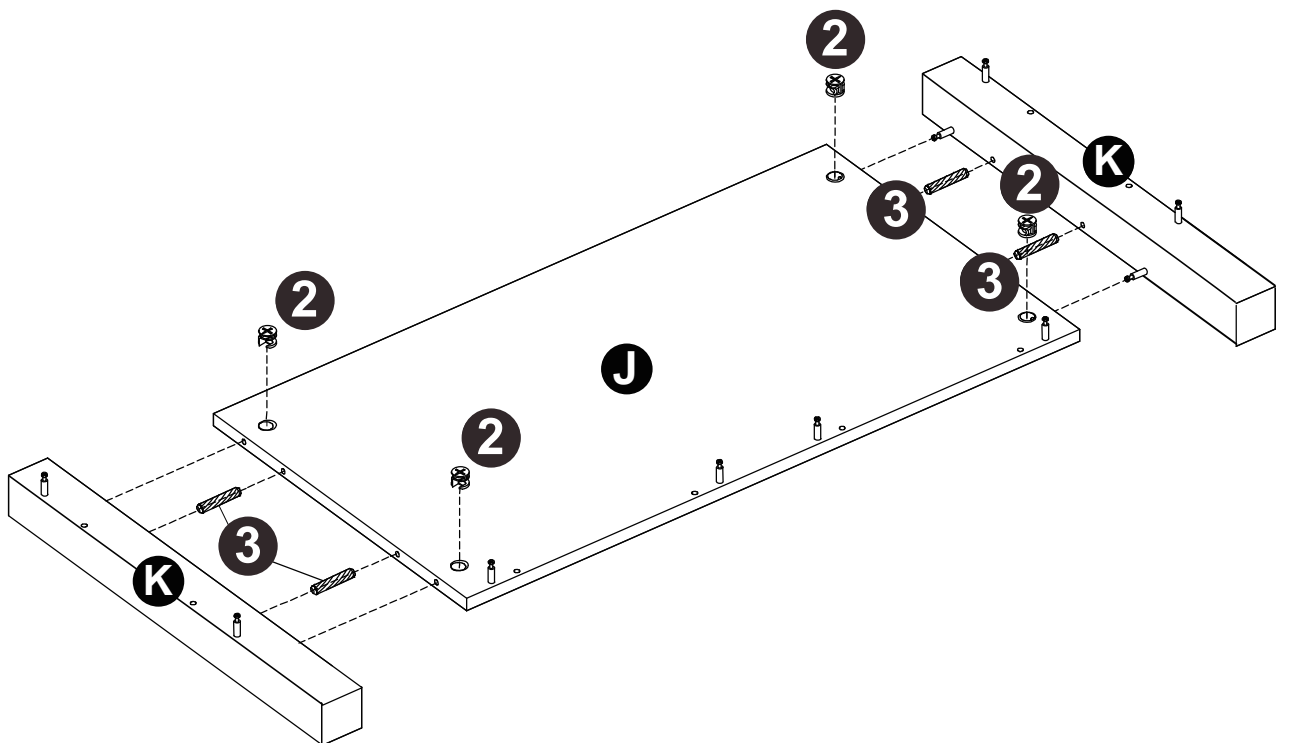
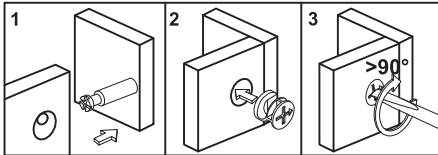
Step 6



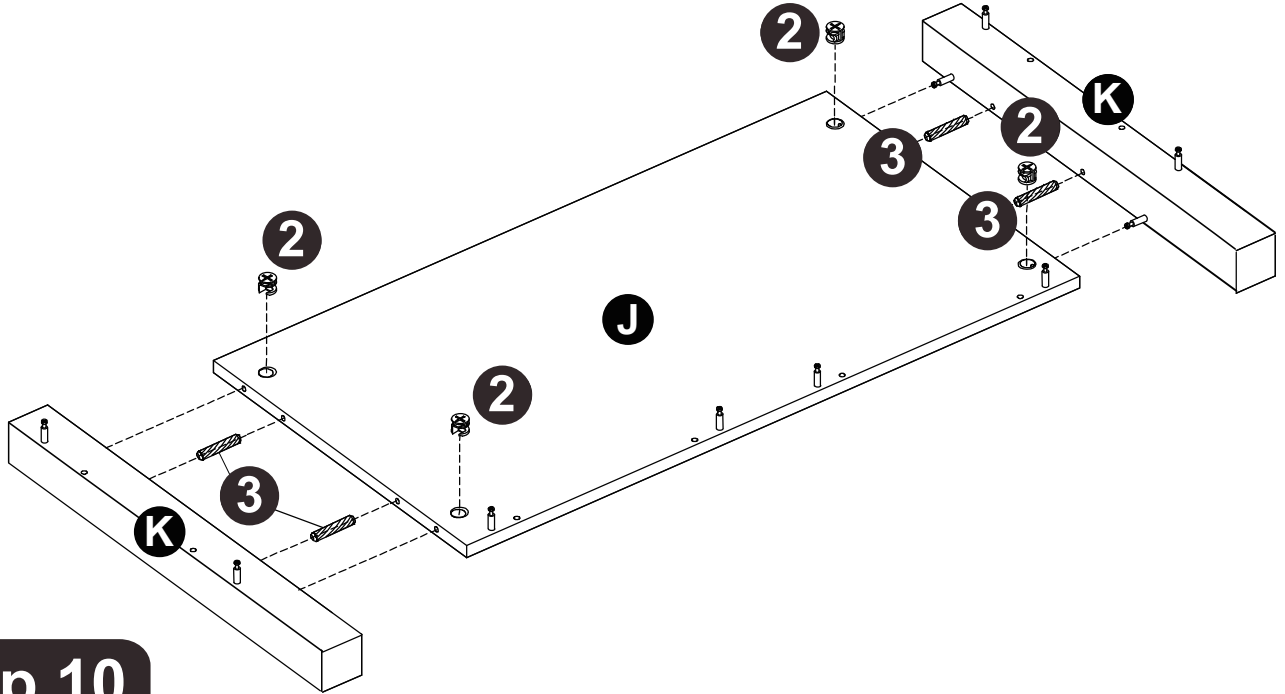
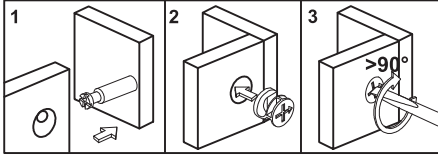
Step 7



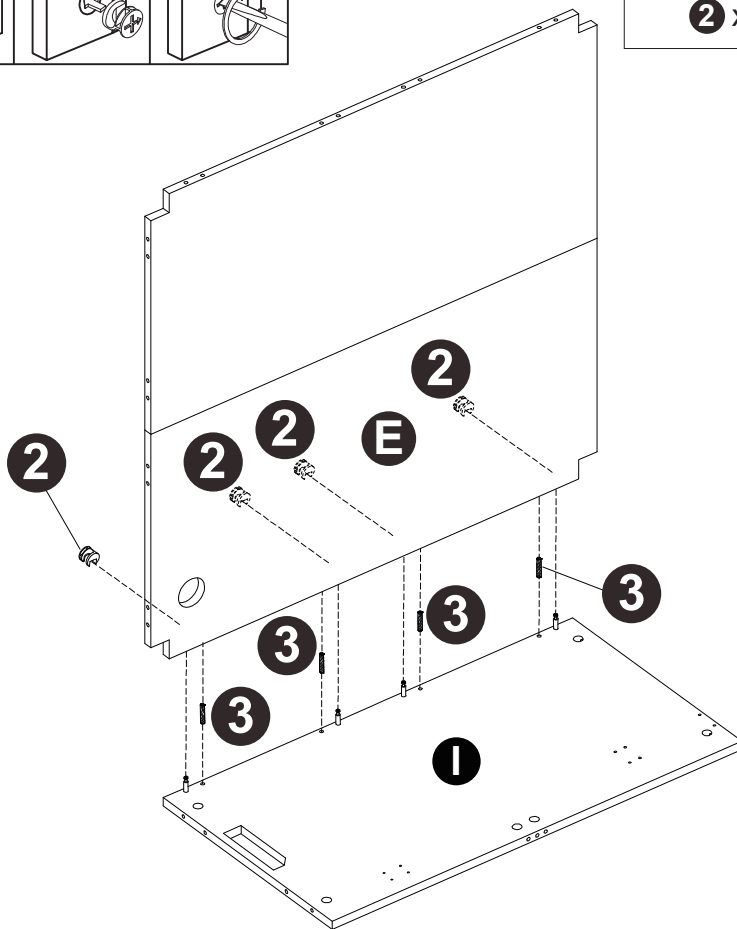
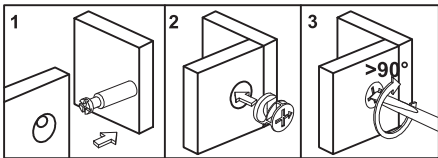
Step 8



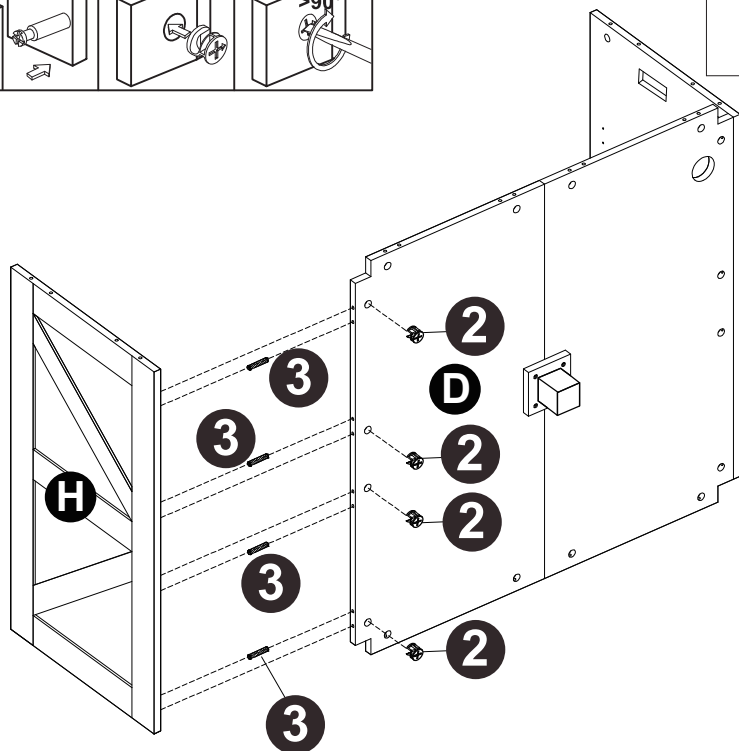
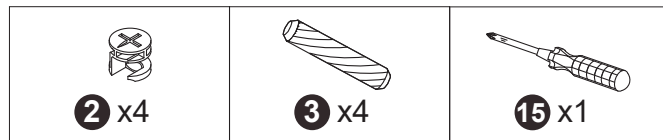
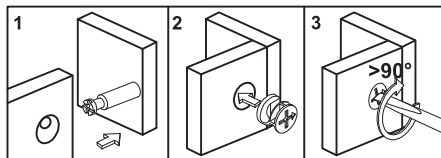
Step 9



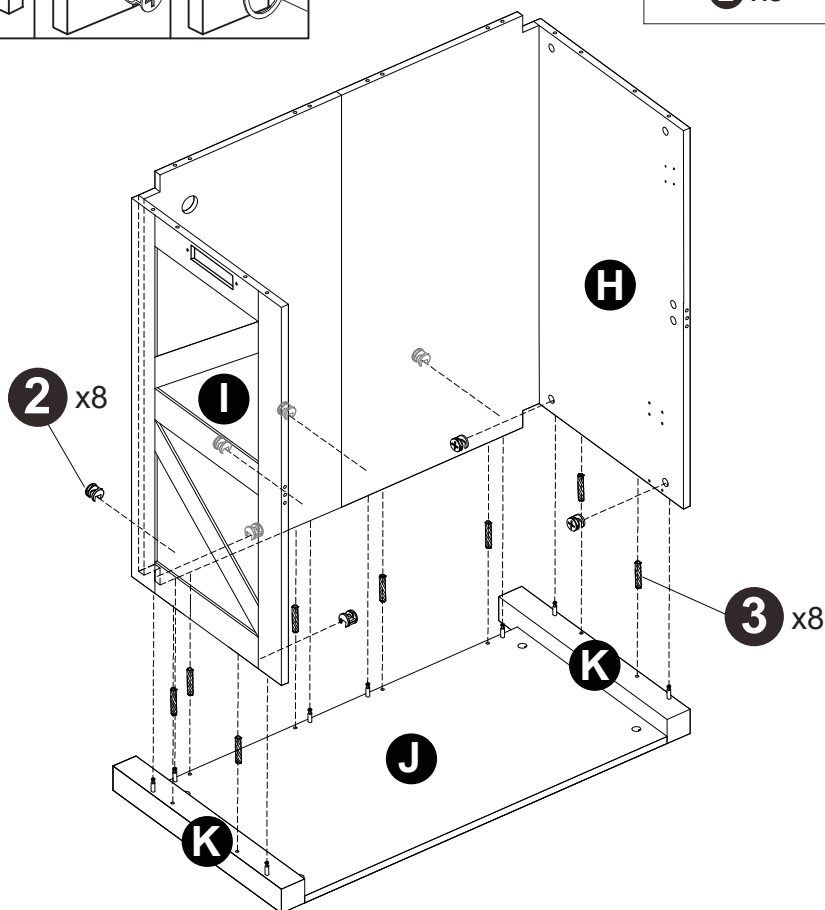
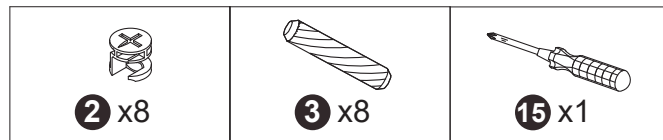
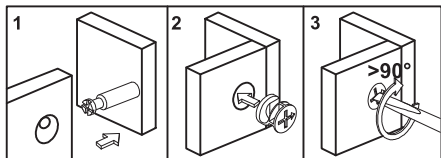
Step 10



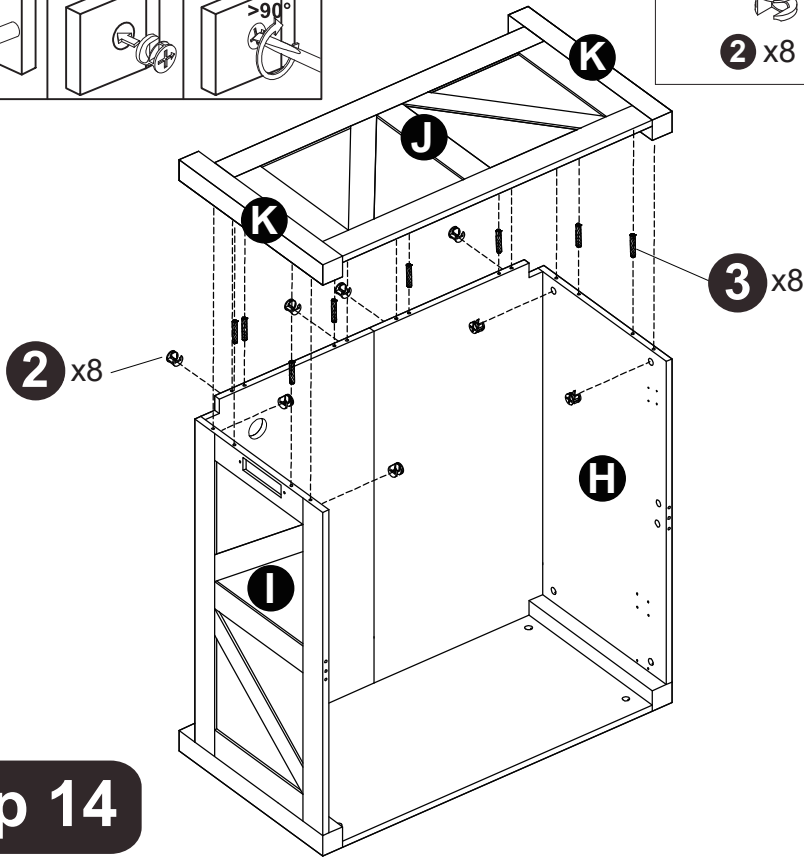
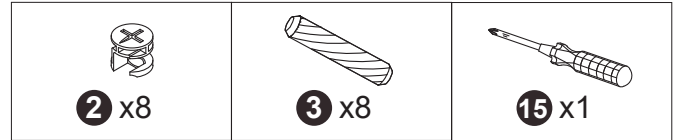
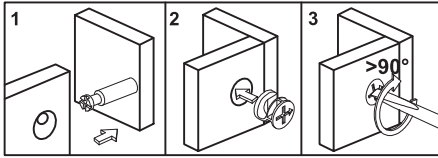
Step 11



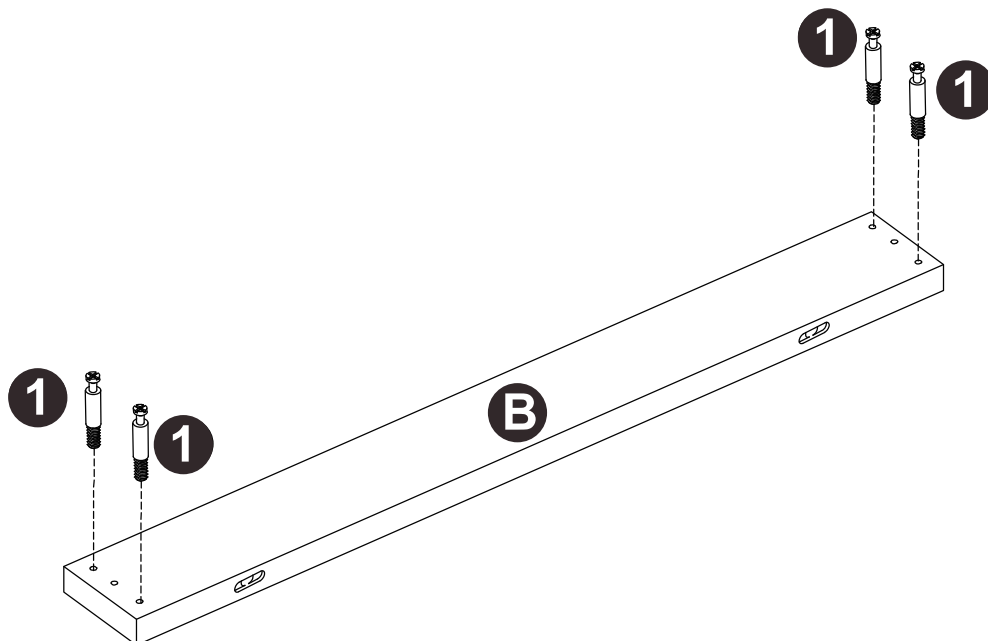
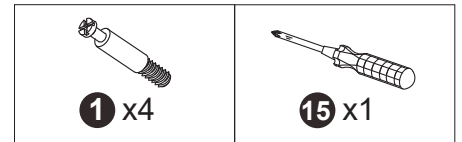
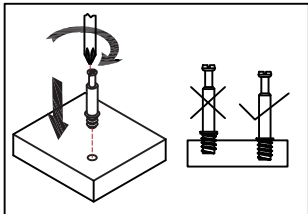
Step 12



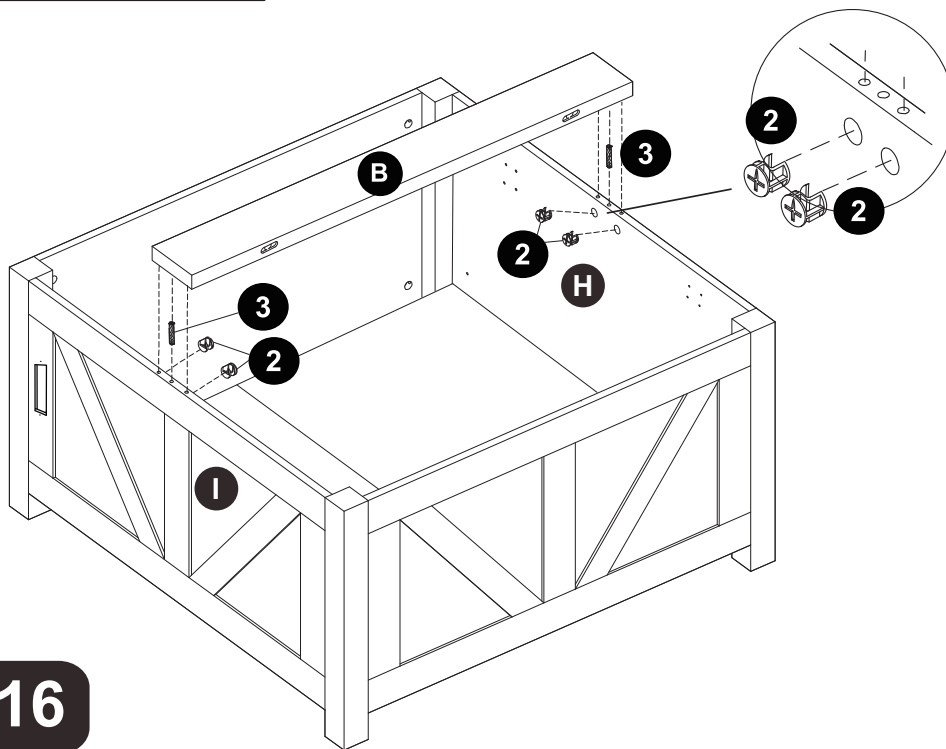
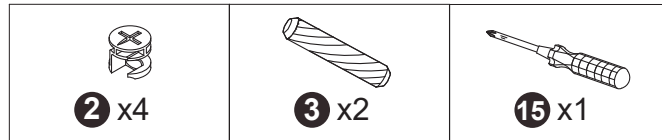
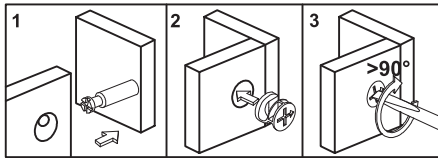
Step 13



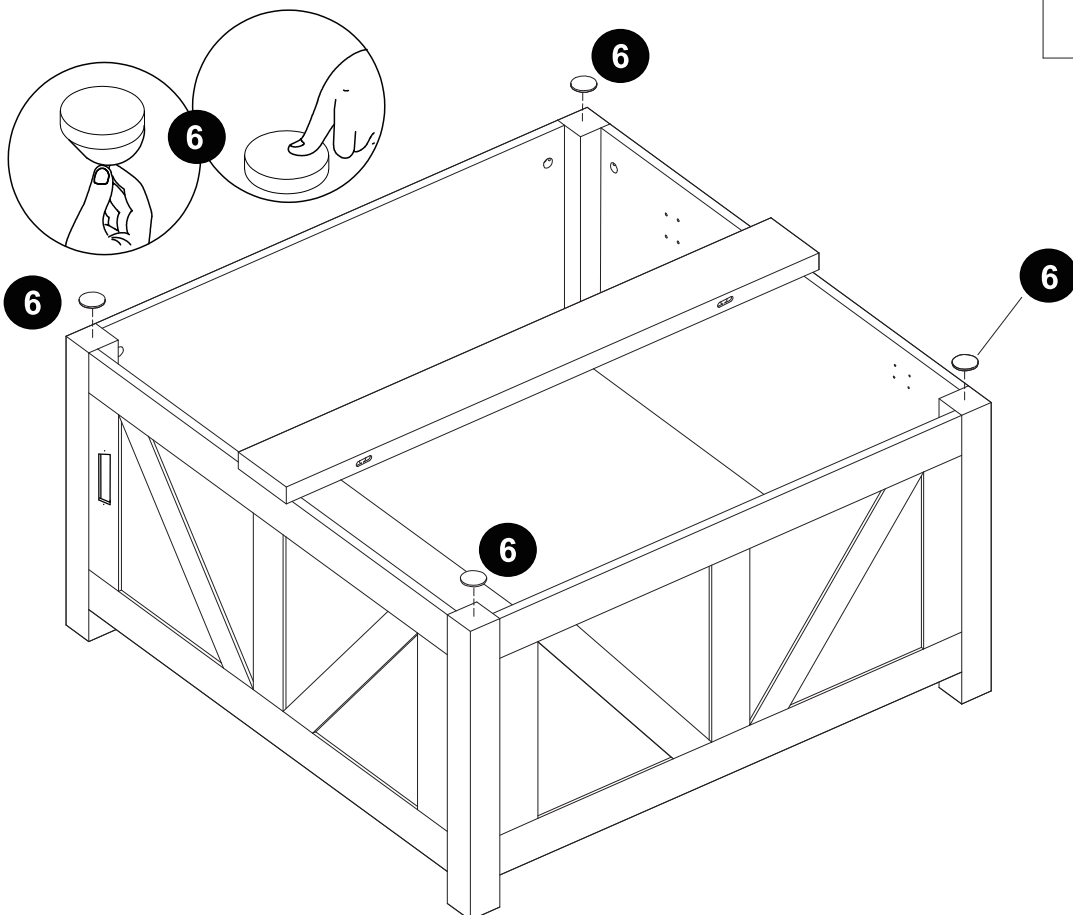
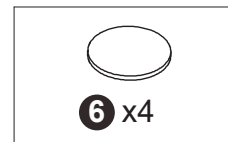
Step 14



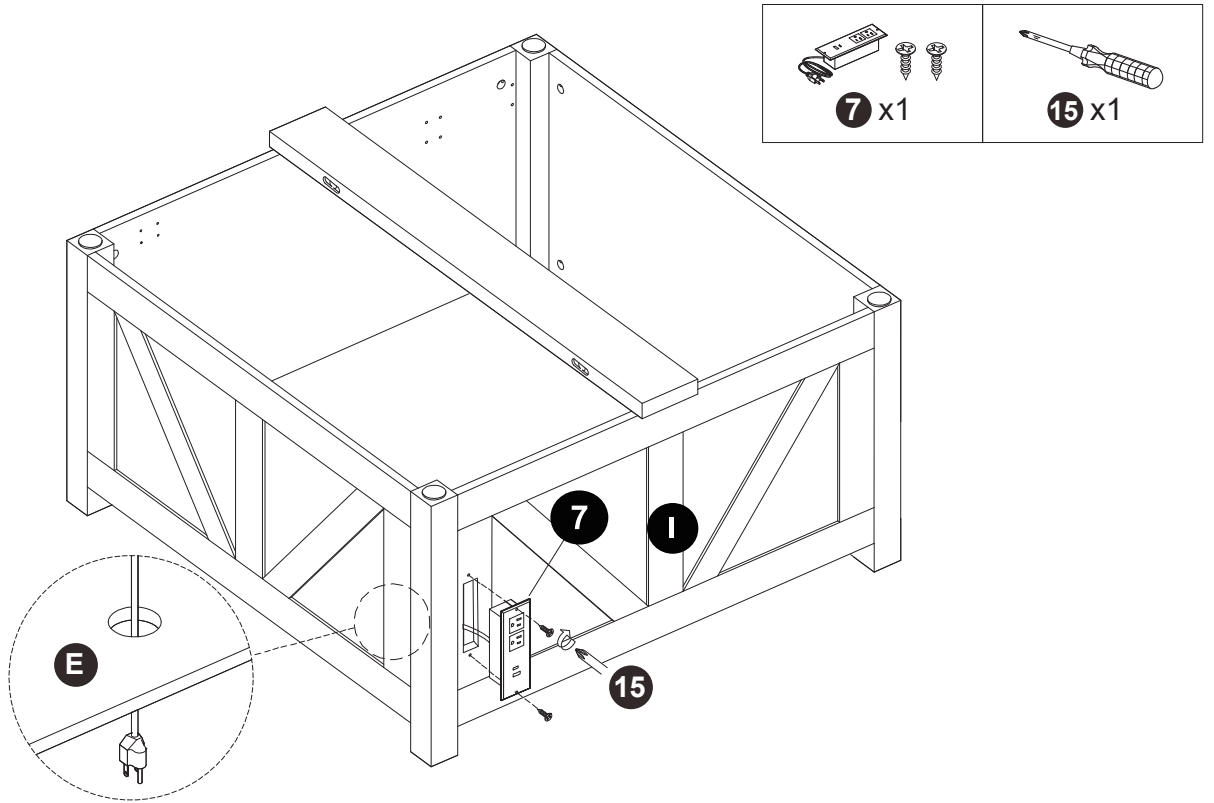
Step 15



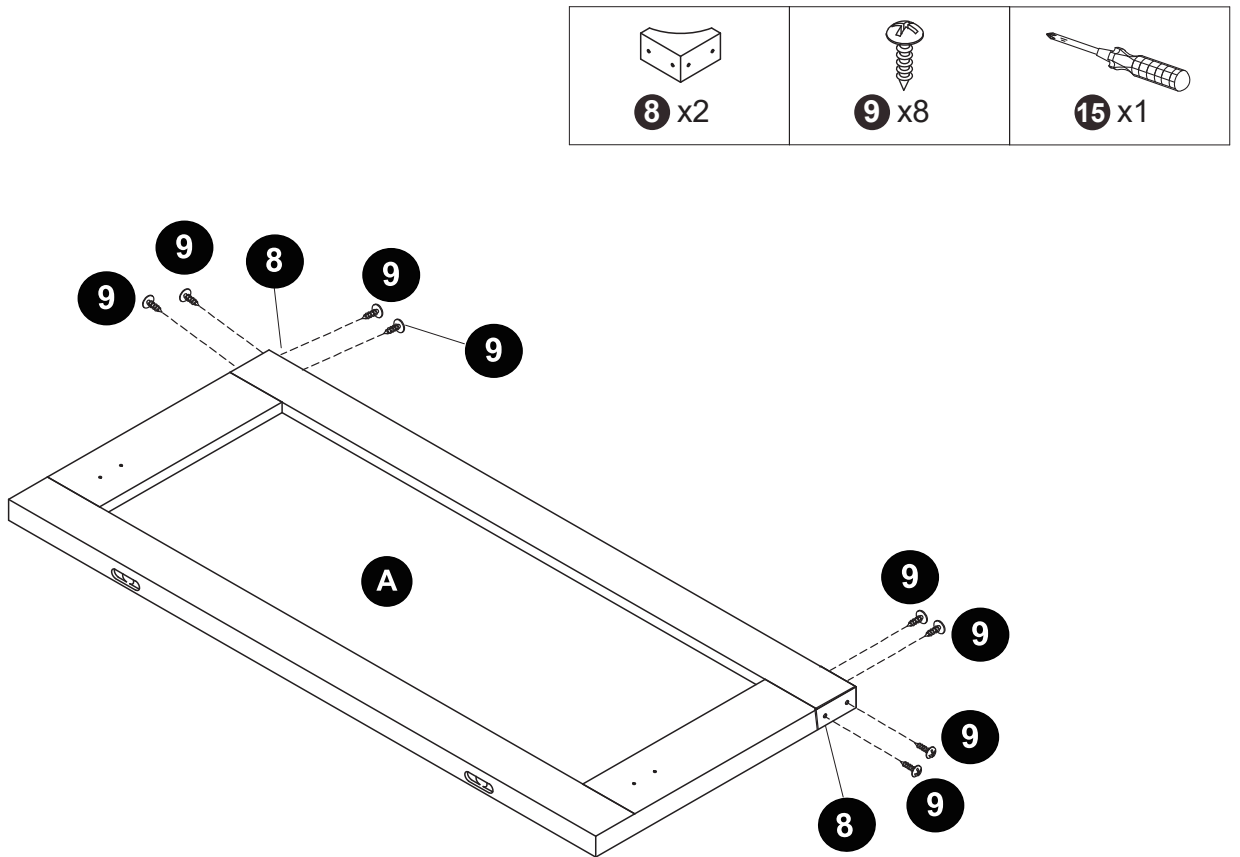
Step 16



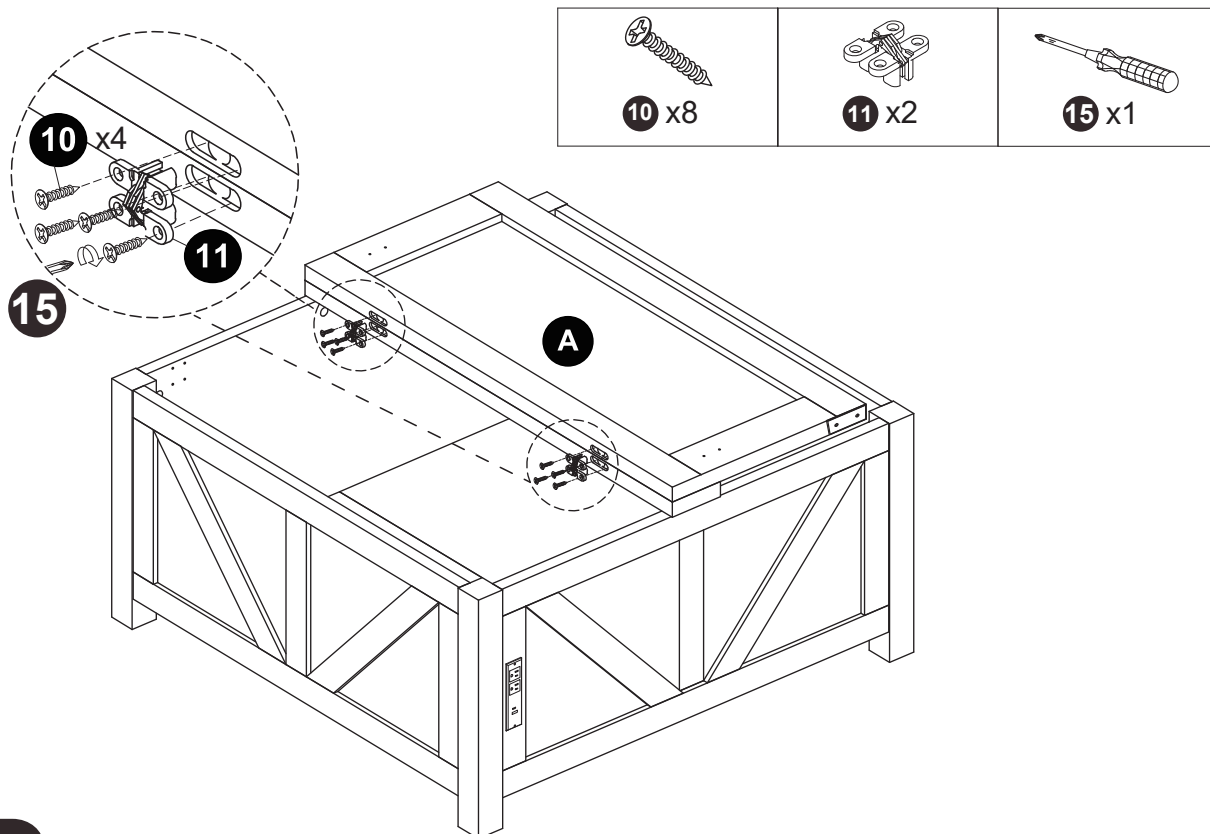
Step 17



Step 18



Step 19



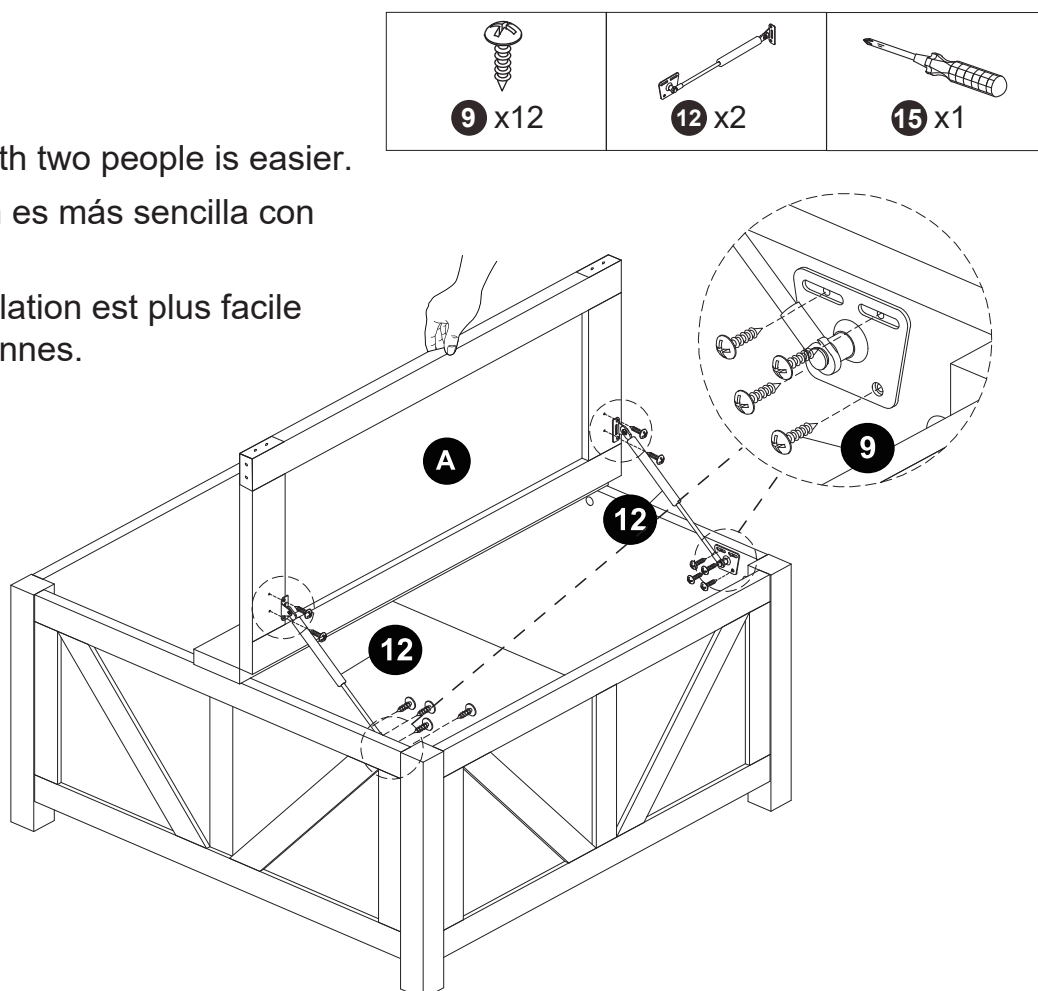
Step 20






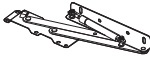

EN: **Note:** Installation with two people is easier.

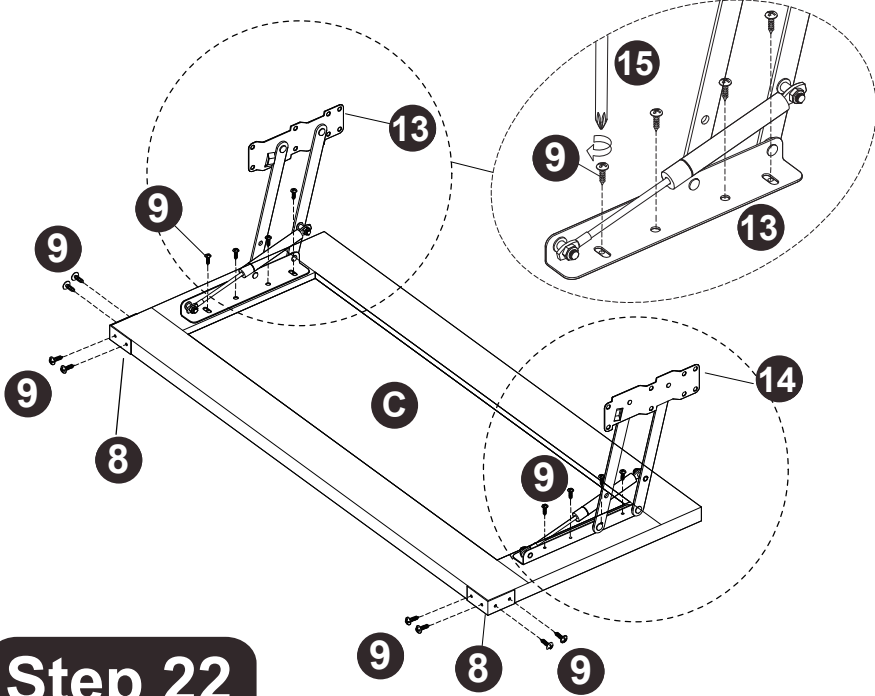
ES: **Nota:** La instalación es más sencilla con dos personas.

FR: **Remarque :** L'installation est plus facile à faire à deux personnes.

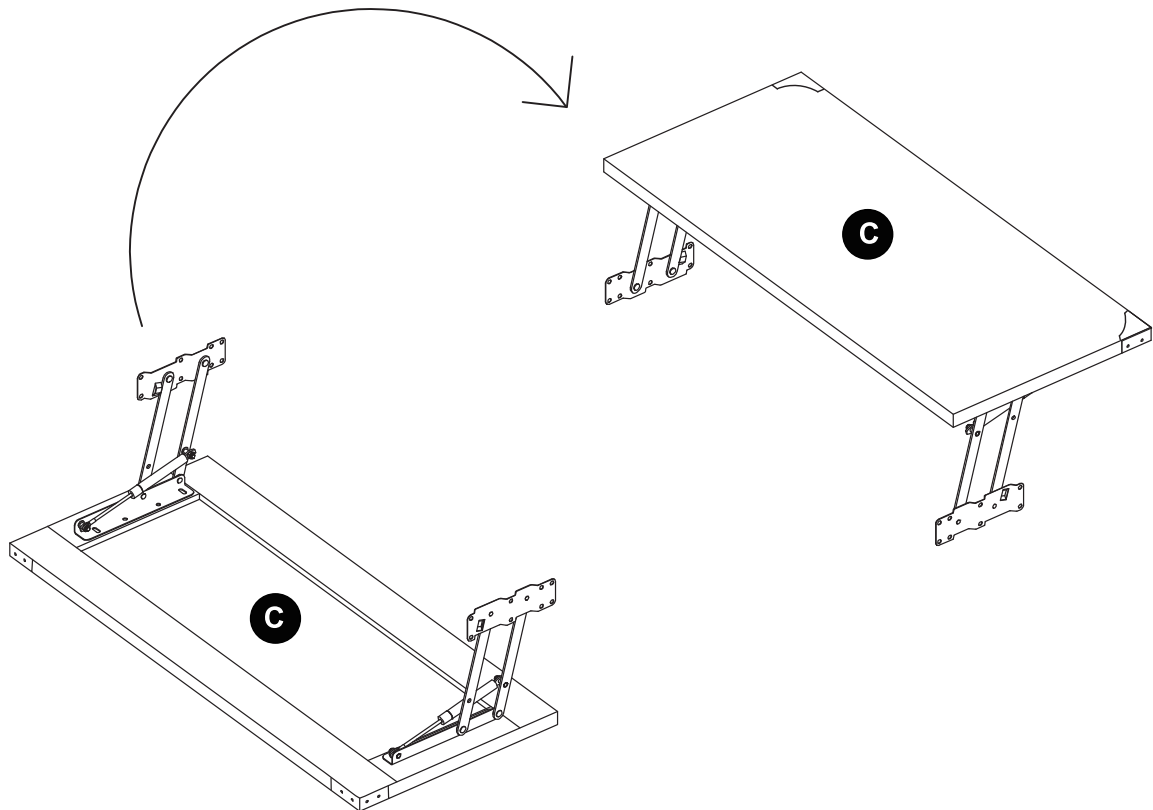


Step 21

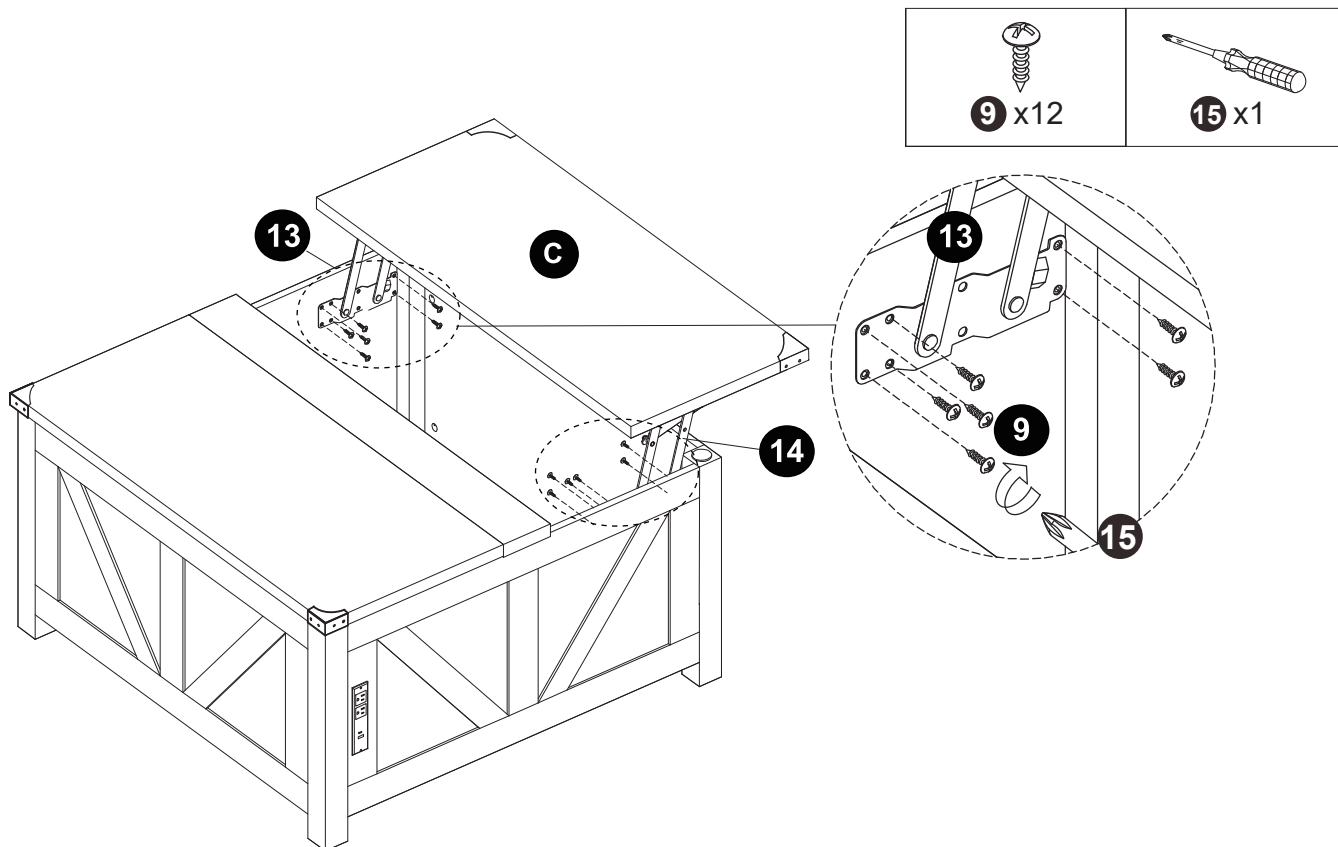
 8 x2	 9 x16	 13 x1
	 14 x1	 15 x1



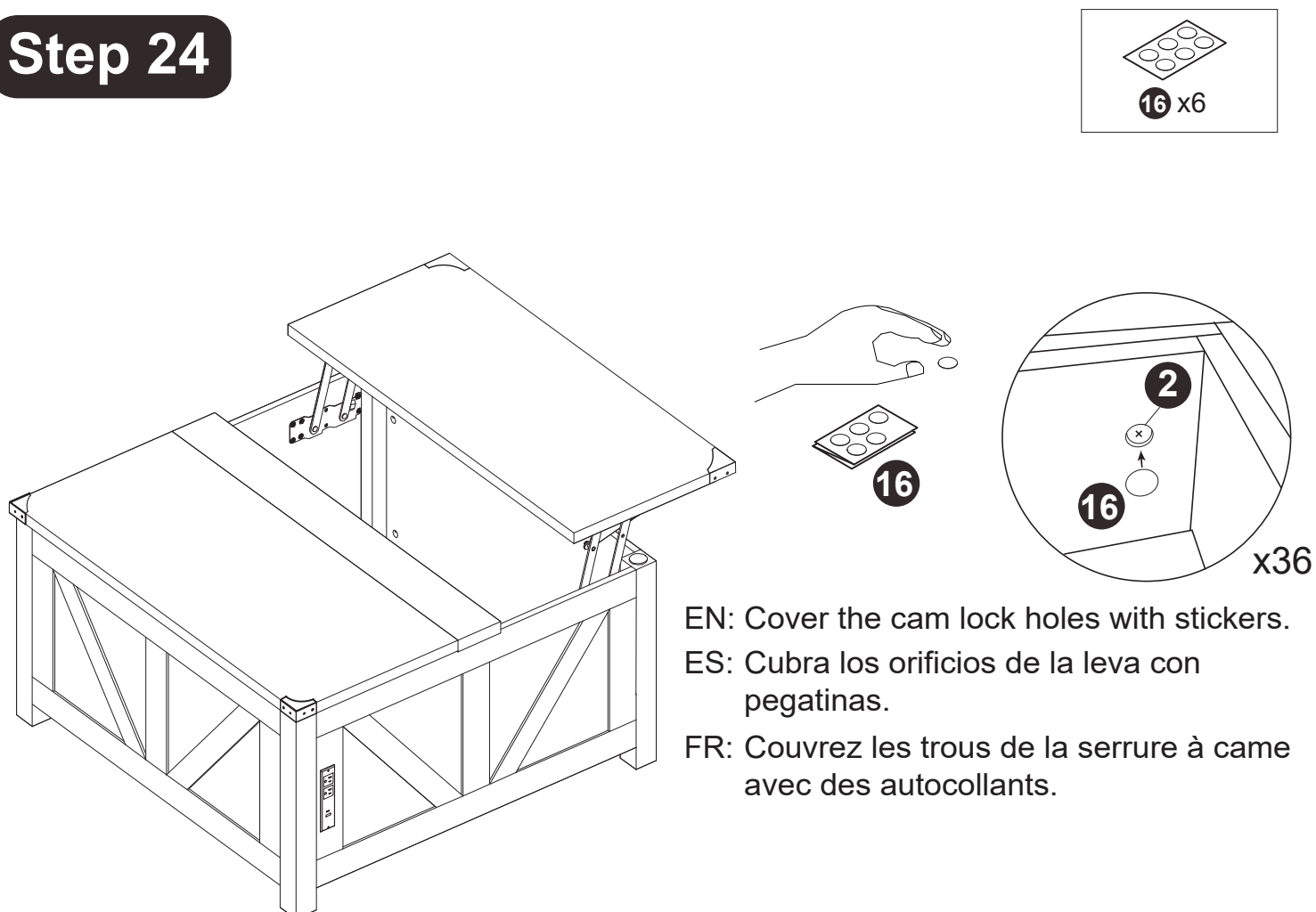
Step 22

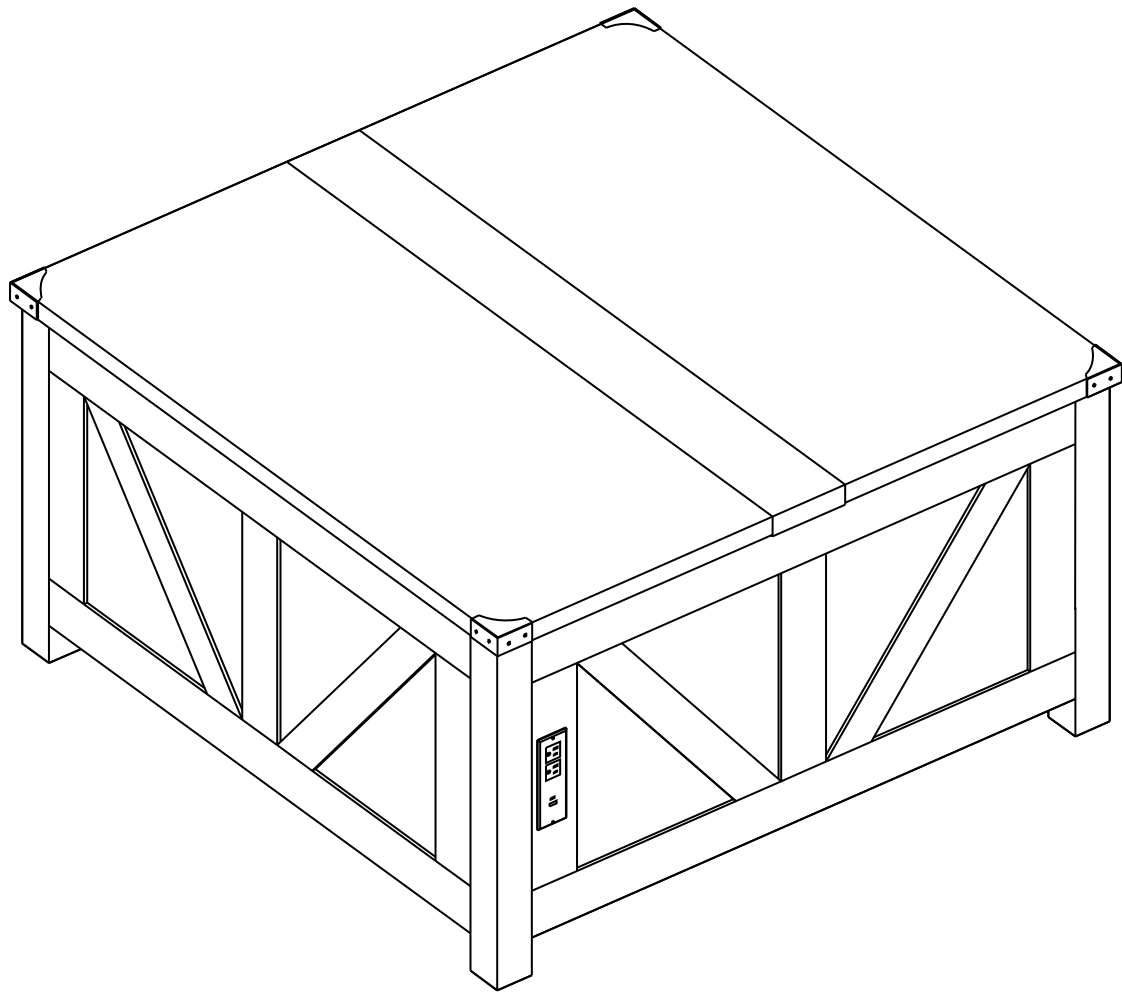


Step 23



Step 24





Thank you for choosing this product. We strive to provide you with the best quality products and service in the industry. Should you have any issues, please don't hesitate to contact us.